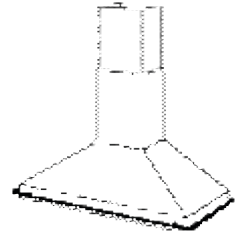


# KEX222 SERIES RANGE HOODS



For use with external blowers.

Tubular, wrap-around utensil rail serves as both a stunning accent and a practical addition to this elegant design. Side rails can be conveniently removed for installation between cabinets.

### FEATURES

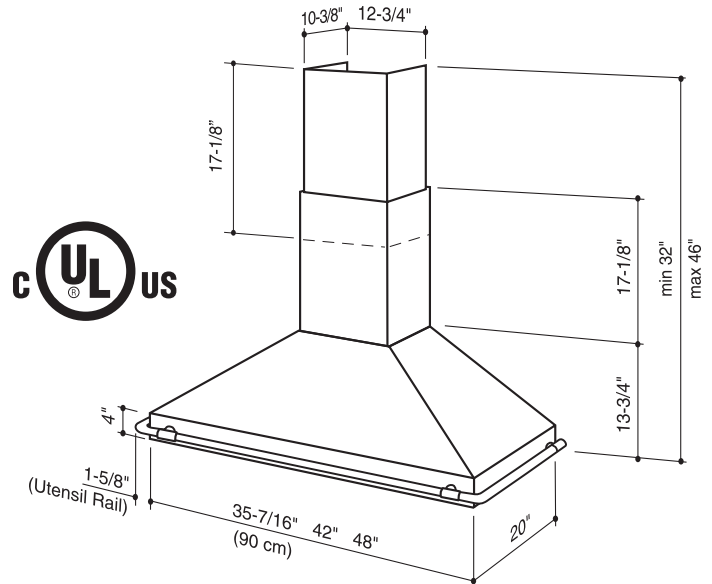
- Italian design
- Wall mount
- Finish: 304 Stainless Steel #4 Brushed
- Widths: 35-7/16" (90cm), 42", 48"
- Telescopic flue accommodates 8' to 9' ceilings
- 8" round duct connector/backdraft damper
- Halogen lighting (90cm: 2 x 20 watt; 42" & 48": 4 x 20 watt; Type JC 12V 20W G4 Base - bulbs included)
- Pushbutton controls: on/off lights, four speeds, delay-off, filter cleaning indicator
- Exterior mounted blower available in either 600, 900, 1200, or 1500 CFM
- Dishwasher-safe stainless steel/aluminum filters
- Heat Sentry™ - automatically turns blower to high speed when excess cooking heat is detected
- For indoor use only

### OPTIONS

- 8" to 10" transition (Model 414)
- Backsplash available (Model BSK1)
- Flue extension (31-7/8" long) for 10' ceilings (Model FEXTK42)
- Replacement grease filters available
- Replacement bulb (Part No. SB02300891)
- Interior blower version (KER222) available, providing 1000 CFM exhaust

### SPECIFICATIONS

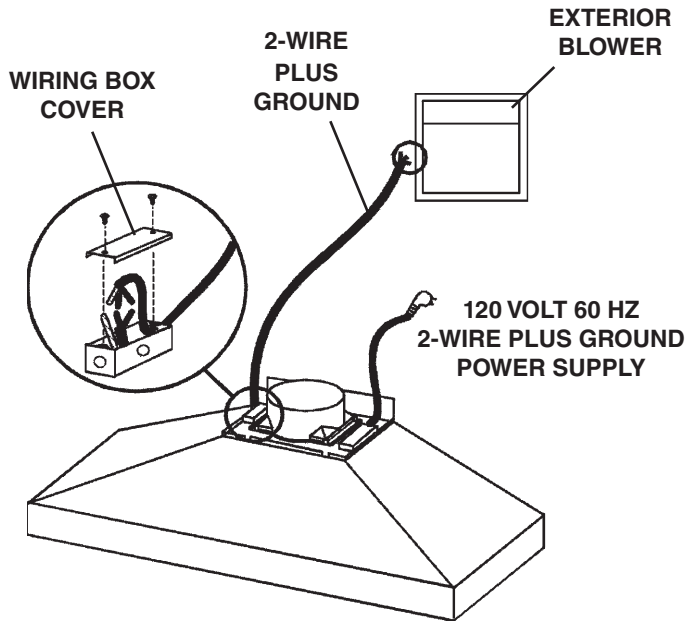
WITH OPTIONAL BLOWER MODELS		BLOWER CFM	VOLTS	AMPS	DUCT
EB6	wall or roof mount remote blowers	600 max.	120	0.43 (lights only) + 6.0 max. (blower only)	8-in. round at the hood. See blower specs for duct requirements.
EB9		900 max.			
EB12		1200 max.			
EB15		1500 max.			
ILB3	attic installed inline blowers	280 max.			
ILB6		600 max.			
ILB9		800 max.			
ILB11		1100 max.			



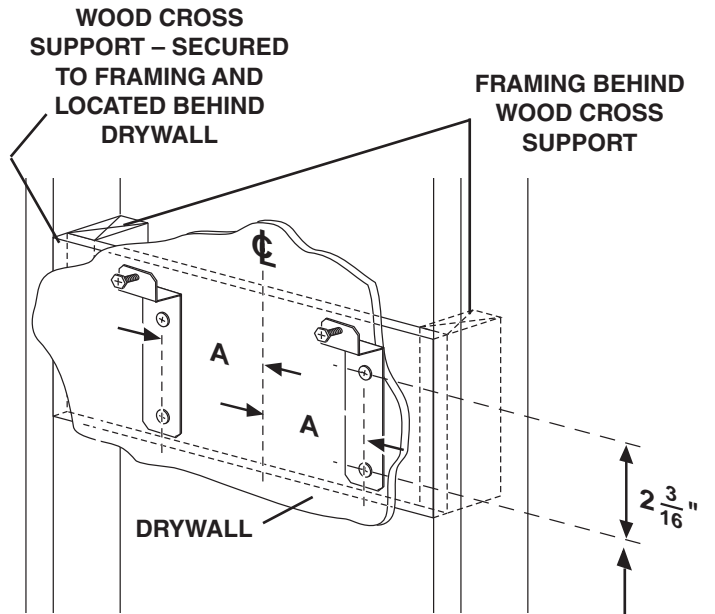
BEST Hartford, Wisconsin [www.BestRangeHoods.com](http://www.BestRangeHoods.com) 800-558-1711  
 BEST Drummondville, QC, Canada [www.BestRangeHoods.com](http://www.BestRangeHoods.com) 866-737-7770

REFERENCE	QTY.	REMARKS	Project
			Location
			Architect
			Engineer
			Contractor
			Submitted by <span style="float: right;">Date</span>

# KEX222 SERIES WIRING



# KEX222 SERIES MOUNTING



**MOUNTING BRACKET LOCATION (ABOVE 36" HIGH COOKTOP)**

HOOD WIDTH	DIMENSION A	CEILING HEIGHT	MOUNTING DISTANCE ABOVE 36" HIGH COOKTOP (SEE NOTE BELOW)						
			24"	25"	26"	27"	28"	29"	30"
90cm 35-7/16"	9-5/8"	8 FEET	29-13/16"	30-13/16"	31-13/16"	32-13/16"	33-13/16"		
		9 FEET			31-13/16"	32-13/16"	33-13/16"	34-13/16"	35-13/16"
		10 FEET WITH FEXTK42	29-13/16"	30-13/16"	31-13/16"	32-13/16"	33-13/16"	34-13/16"	35-13/16"
42"	9-15/16"	8 FEET	31-1/16"	32-1/16"	33-1/16"	34-1/16"	35-1/16"		
		9 FEET			33-1/16"	34-1/16"	35-1/16"	36-1/16"	37-1/16"
		10 FEET WITH FEXTK42	31-1/16"	32-1/16"	33-1/16"	34-1/16"	35-1/16"	36-1/16"	37-1/16"
48"	8-7/8"	8 FEET	31-9/16"	32-9/16"	33-9/16"	34-9/16"	35-9/16"		
		9 FEET			33-9/16"	34-9/16"	35-9/16"	36-9/16"	37-9/16"
		10 FEET WITH FEXTK42	31-9/16"	32-9/16"	33-9/16"	34-9/16"	35-9/16"	36-9/16"	37-9/16"

**NOTE:** Minimum hood distance above cooktop must not be less than 24".  
 A maximum of 30" above the cooktop is highly recommended for best capture of cooking impurities.  
 Distances over 30" are at the installer and users' discretion; and if ceiling height and flue length permit.