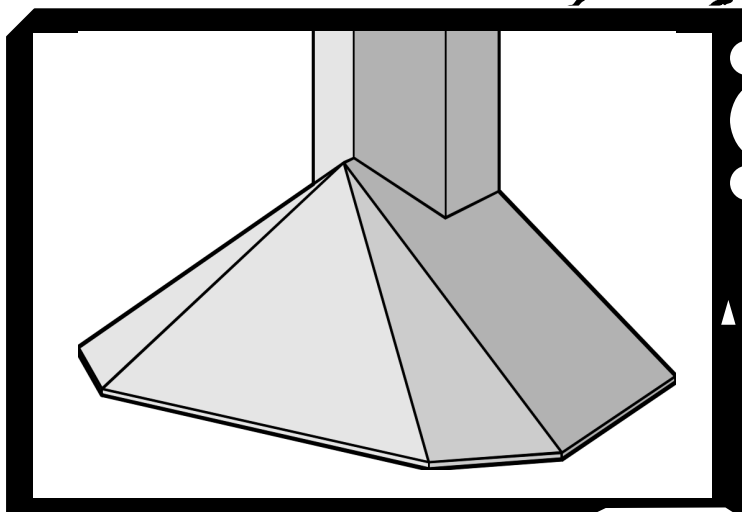


# best



## Model KEX30

ENGLISH.....	3
FRANÇAIS.....	15
ESPAÑOL.....	27

In USA - BEST Hartford, Wisconsin

In CANADA - BEST Drummondville, QC, Canada

REGISTER YOUR PRODUCT ONLINE AT : [www.BestRangeHoods.com/register](http://www.BestRangeHoods.com/register)  
For additional Information visit [www.BestRangeHoods.com](http://www.BestRangeHoods.com)



# READ AND SAVE THESE INSTRUCTIONS

**⚠ INTENDED FOR DOMESTIC COOKING ONLY ⚠**

## **⚡ ⚠ WARNING**

**TO REDUCE THE RISK OF FIRE, ELECTRIC SHOCK, OR INJURY TO PERSONS, OBSERVE THE FOLLOWING:**

1. Use this unit only in the manner intended by the manufacturer. If you have questions, contact the manufacturer at the address or telephone number listed in the warranty.
2. Before servicing or cleaning unit, switch power off at service panel and lock service panel to prevent power from being switched on accidentally. When the service disconnecting means cannot be locked, securely fasten a prominent warning device, such as a tag, to the service panel.
3. Installation work and electrical wiring must be done by a qualified person(s) in accordance with all applicable codes and standards, including fire-rated construction codes and standards.
4. Sufficient air is needed for proper combustion and exhausting of gases through the flue (chimney) of fuel burning equipment to prevent backdrafting. Follow the heating equipment manufacturer's guidelines and safety standards such as those published by the National Fire Protection Association (NFPA), and the American Society for Heating, Refrigeration and Air Conditioning Engineers (ASHRAE), and the local code authorities.
5. When cutting or drilling into wall or ceiling, do not damage electrical wiring and other hidden utilities.
6. Ducted fans must always be vented to the outdoors.
7. Do not use this unit with any separate solid-state speed control device.
8. To reduce the risk of fire, use only metal ductwork.
9. This unit must be grounded.

**TO REDUCE THE RISK OF A RANGE TOP GREASE FIRE:**

- A. Never leave surface units unattended at high settings. Boilovers cause smoking and greasy spillovers that may ignite. Heat oils slowly on low or medium settings.
- B. Always turn hood ON when cooking at high heat or when flambeing food (i.e. Crepes Suzette, Cherries Jubilee, Peppercorn Beef Flambe').
- C. Clean ventilating fans frequently. Grease should not be allowed to accumulate on fan or filter.
- D. Use proper pan size. Always use cookware appropriate for the size of the surface element.

## **⚡ ⚠ WARNING**

**TO REDUCE THE RISK OF INJURY TO PERSONS IN THE EVENT OF A RANGE TOP GREASE FIRE, OBSERVE THE FOLLOWING:\***

1. **SMOTHER FLAMES** with a close-fitting lid, cookie sheet, or metal tray, then turn off the burner. **BE CAREFUL TO PREVENT BURNS.** If the flames do not go out immediately, **EVACUATE AND CALL THE FIRE DEPARTMENT.**
2. **NEVER PICK UP A FLAMING PAN** - You may be burned.
3. **DO NOT USE WATER**, including wet dishcloths or towels - violent steam explosion will result.
4. Use an extinguisher **ONLY** if:
  - A. You know you have a Class ABC extinguisher and you already know how to operate it.
  - B. The fire is small and contained in the area where it started.
  - C. The fire department is being called.
  - D. You can fight the fire with your back to an exit.

\* Based on "Kitchen Fire Safety Tips" published by NFPA.

## CAUTION

---

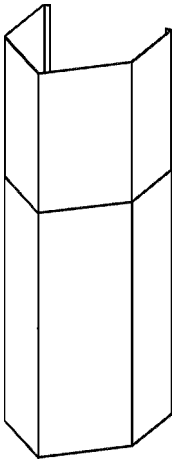
1. For indoor use only.
2. To reduce risk of fire and to properly exhaust air, be sure to duct air outside. Do not vent exhaust air into spaces within walls or ceilings or into attics, crawl spaces, or garages.
3. Take care when using cleaning agents or detergents.
4. Avoid using food products that produce flames under the Range Hood.
5. For general ventilating use only. Do not use to exhaust hazardous or explosive materials and vapors.
6. To avoid motor bearing damage and noisy and/or unbalanced impellers, keep drywall spray, construction dust, etc. off power unit.
7. Your hood motor has a thermal overload which will automatically shut off the motor if it becomes overheated. The motor will restart when it cools down. If the motor continues to shut off and restart, have the hood serviced.
8. For best capture of cooking impurities, the bottom of the hood should be a minimum of 24" and a maximum of 30" above the cooking surface.
9. Two installers are recommended because of the large size and weight of this hood.
10. This product is equipped with a thermostat which may start blower automatically. To reduce the risk of injury and to prevent power from being switched on accidentally, switch power off at service panel and lock or tag service panel.
11. Use with approved cord-connection kit only.
12. Please read specification label on product for further information and requirements.
13. To reduce the risk of fire and electric shock, install this range hood only with Best by Broan Exterior blower models EB6, EB9, EB12, or EB15, or Best by Broan In-Line Blower models ILB3, ILB6, ILB9, or ILB11. Other Blowers cannot be substituted (Blowers sold separately).

## PREPARE THE HOOD

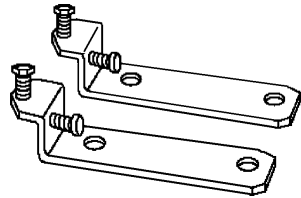
Unpack hood and check contents.

You should receive:

- 1 - Hood
- 1 - Decorative Flue Assembly
- 1 - Parts Bag (B080810495) containing:
  - 2 - Mounting Brackets
  - 1 - Flue Mounting Bracket
  - 8 - Mounting Screws (4,8 x 38mm Pan Head)
  - 4 - Mounting Screws (3,9 x 9,5mm Pan Head)
  - 8 - Drywall Anchors
- 1 - Installation Instructions
- 1 - Warranty Card



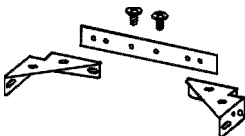
DECORATIVE  
FLUE



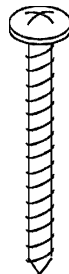
MOUNTING  
BRACKETS



4 MOUNTING  
SCREWS (3,9 x  
9,5mm Pan Head)



FLUE MOUNTING  
BRACKET



8 MOUNTING  
SCREWS (4,8 x 38mm  
Pan Head)



8 DRYWALL  
ANCHORS

## EXTERIOR OR IN-LINE BLOWER SELECTION

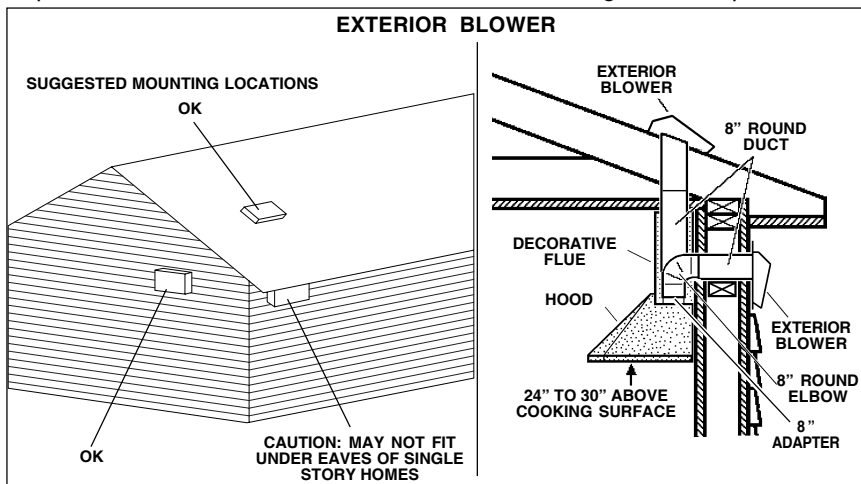
**CAUTION:** Either an exterior blower or in-line blower may be used with this hood. The KEX30 hood must be installed with blower models EB6, EB9, EB12, EB15, ILB3, ILB6, ILB9, or ILB11 only. Other Blowers cannot be substituted (Blowers sold separately).

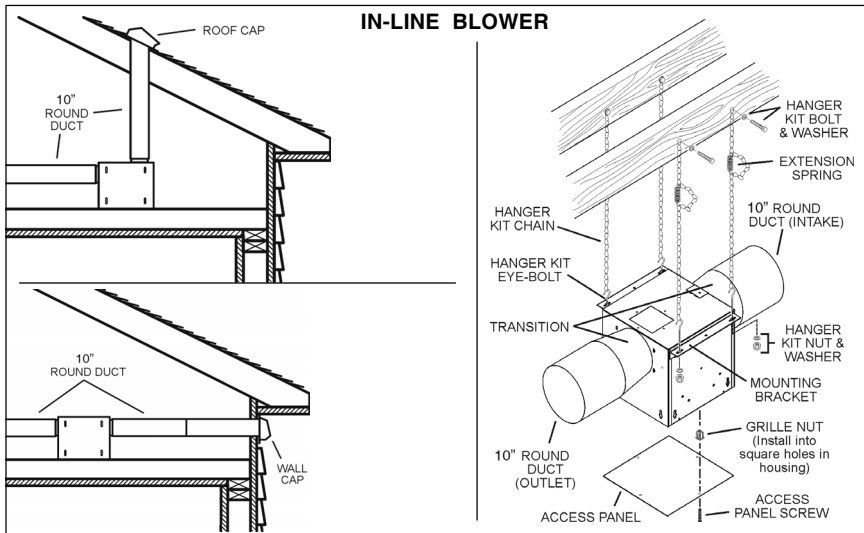
The blower must be **UL** listed for Canadian and **U.S.** use, and evaluated for use with solid state speed control, rated 120V, 60 Hz, 6.0 A max.

## INSTALL THE DUCTWORK

**NOTE:** To reduce the risk of fire, use only metal ductwork.

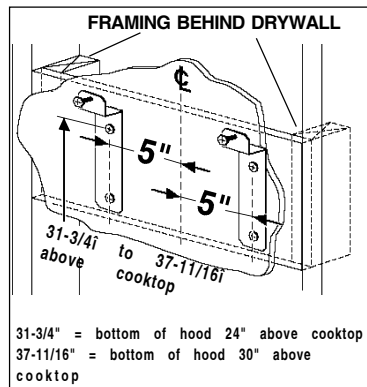
1. Choose the location where the Exterior or In-Line Blower will be mounted. See illustrations below for mounting location suggestions and restrictions.
2. A straight, short duct run will allow the hood to perform most efficiently.
3. Long duct runs, elbows and transitions will reduce the performance of the hood. Use as few of them as possible. Larger ducting may be required for best performance with long duct runs.
4. After the Exterior or In-Line Blower has been installed, connect round metal ductwork and work back towards the hood location. Use duct tape to seal joints between ductwork sections.
5. An 8" round to 10" round transition (Model 414) is required. For best air performance, install the transition as close to the range hood as possible.





## INSTALL MOUNTING BRACKETS

1. Construct wood wall **framing** that is **flush** with interior surface of wall studs. Make sure:
  - a) the framing is centered over installation location.
  - b) the height of the framing will allow the **mounting brackets** to be secured to the framing within the dimensions shown.
2. After wall surface is finished, secure mounting brackets to framing using dimensions shown.



## INSTALL THE HOOD

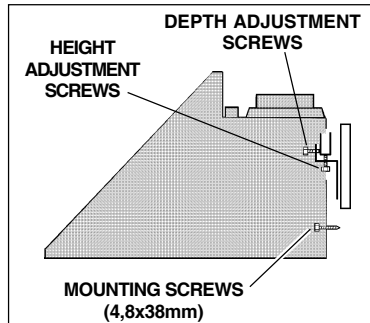
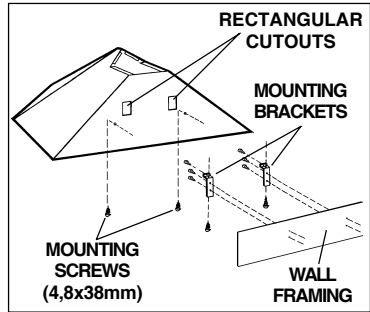
1. Hang the hood from the brackets through the **rectangular cut-outs** on the back of the hood.

Cut-outs are larger than the brackets to allow for horizontal adjustment.

The bottom of the hood should be 24" to 30" above the cooking surface.

2. **Height adjustment screws** provide vertical adjustment.
3. **Depth adjustment screws** provide horizontal adjustment.
4. Secure the hood with **mounting screws** (4,8x38mm).

Use drywall anchors, provided, if wall studs or framing are not available.





## WIRING

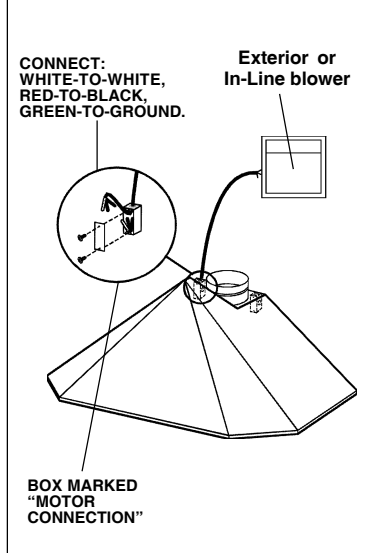
**⚠ CAUTION:** All electrical wiring should be done by a qualified person (s) in accordance with all applicable codes and standards. This range hood must be properly grounded.

**Do not turn power on at service panel until all wires have been connected.**

### Blower connection at hood:

1. Run 2-wire plus ground power cable from the Exterior or In-Line Blower to the hood's wiring box marked "motor connection".
2. Remove the cover from the wiring box and remove one knockout.
3. Feed 6" of cable through the knockout opening and secure the cable to the wiring box with an appropriate connector.
4. Make electrical connections at the hood. Connect white-to-white, **red-to-black** and green-to-ground.
5. Replace the wiring box cover and screws. make sure wires are not pinched between the cover and box.

### BLOWER CONNECTION AT HOOD

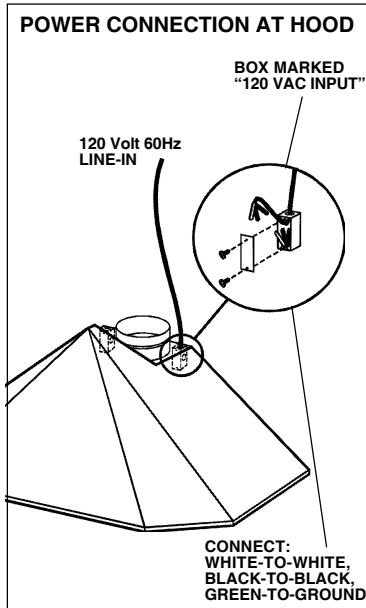


### Exterior or In-line blower connection:

1. Make electrical connections at the exterior or in-line blower (see instructions provided with the exterior or in-line blower).

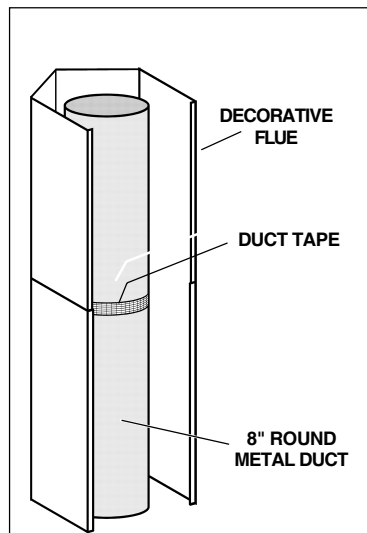
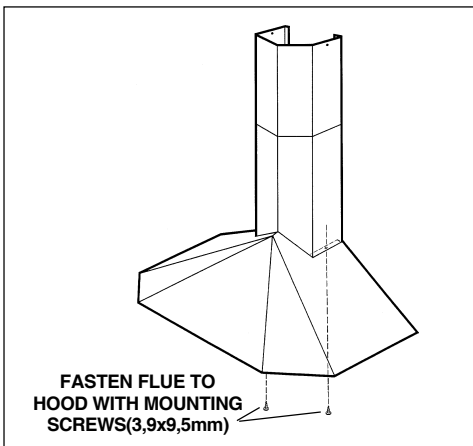
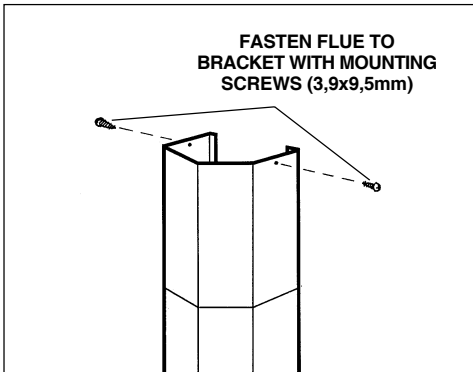
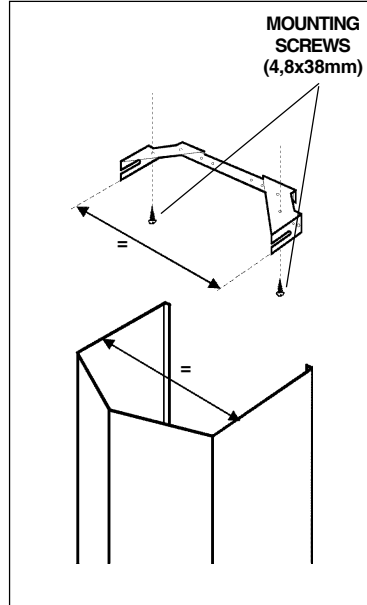
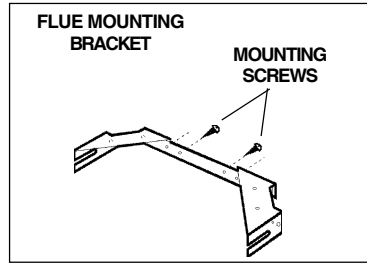
### Power connection at hood:

1. Run 120 VAC electrical power cable to the hood wiring box marked "120VAC input".
2. Remove the cover from the wiring box and remove one knockout.
3. Feed 6" of cable through the knockout opening and secure the cable to the wiring box with an appropriate connector.
4. Make electrical connections at the hood. Connect white-to-white, **black-to-black** and green-to-ground.
5. Replace the wiring box cover and screws. Make sure wires are not pinched between the cover and box.



# CONNECT DUCTWORK

1. Adjust the width of the **flue mounting bracket** to equal the inside width of decorative flue. Insert and tighten mounting screws to hold bracket width. Use mounting screws (4,8x38mm) and wall anchors to secure flue mounting bracket to the ceiling as shown.
2. Use **8" round metal duct** to connect the discharge collar on the hood to the ductwork above.
3. Use **duct tape** to make all joints secure and air tight.
4. Carefully place the lower decorative flue into the recessed area of the range hood top.
5. Extend the upper flue to the ceiling and secure with two mounting screws (3,9x9,5mm).
6. Secure lower flue to hood with the two mounting screws provided (3,9x9,5mm).



## MAINTENANCE

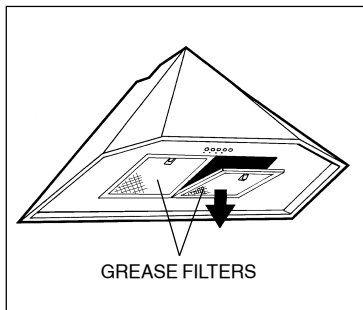
---

Proper maintenance of the Range Hood will assure proper performance of the unit.

### **Grease Filters**

The **grease filters** should be cleaned after every 30 hours of operation. This range hood has an operation timer which will alert you after every 30 hours of use by lighting a red LED above the “blower speed 0-1 button”. Use a warm detergent solution. Grease filters are dishwasher safe.

To take off the grease filters: at the handle, push the stop inwards and pull the filters downwards.



### **Hood Cleaning**

Stainless steel is one of the easiest materials to keep clean. Occasional care will help preserve its fine appearance.

Cleaning tips:

- Hot water with soap or detergent is all that is usually needed.
- Follow all cleaning by rinsing with clear water. Wipe dry with a clean, soft cloth to avoid water marks.
- For discolorations or deposits that persist, use a non-scratching household cleanser or stainless steel polishing powder with a little water and a soft cloth.
- For stubborn cases, use a plastic scouring pad or soft bristle brush together with cleanser and water. Rub lightly in direction of polishing lines or "grain" of the stainless finish. Avoid using too much pressure which may mar the surface.
- **DO NOT** allow deposits to remain for long periods of time.
- **DO NOT** use ordinary steel wool or steel brushes. Small bits of steel may adhere to the surface causing rust.
- **DO NOT** allow salt solutions, disinfectants, bleaches, or cleaning compounds to remain in contact with stainless steel for extended periods. Many of these compounds contain chemicals which may be harmful. Rinse with water after exposure and wipe dry with a clean cloth.

Painted surfaces should be cleaned with warm water and mild detergent only.

## OPERATION

### Controls

The hood is operated using the (5) push-buttons located under the bottom of the hood.

The **light switch** turns the halogen lights on and off. Push the light switch once to turn the lights ON - push a second time to turn the lights ON to a brighter level - push a third time to turn the lights OFF.

The **blower on-off / speed 1** switch turns the blower on to its lowest running speed. To turn OFF the blower, push in and hold this blower switch for approximately 2 seconds.

The **blower speed 2** switch turns the blower on to medium-low running speed. Pressing this switch a second time sets a TIMER which keeps the blower operating at this speed for 10 minutes. The **LED** will blink during this time and the blower will shut off automatically. Press this switch a third time to take off the Timer.

The **blower speed 3 and blower speed 4** switches operate the same as blower speed 2 switch except: Blower speed 3 is medium-high and blower speed 4 is high.

After every 30 hours of operation, the LED above the “blower speed 1 switch” will be illuminated (RED) and blink for 30 seconds after turning off the blower. This is a reminder to clean the grease filters. Once the grease filters are cleaned and installed, press in and hold the “light switch” button for approximately 2 seconds during the blink of the LED.

### HEAT SENTRY™

Your hood is equipped with a HEAT SENTRY™ thermostat. This thermostat is a device that will turn on or speed up the blower if it senses excessive heat above the cooking surface.

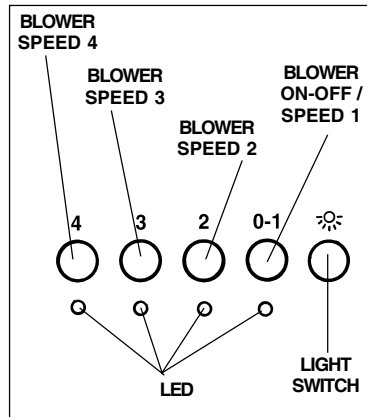
1) If blower is OFF - it turns blower ON to HIGH speed.

2) If blower is ON at a lower speed setting - it turns blower up to HIGH speed.

When the temperature level drops to normal, the blower will return to its original setting.

### WARNING

**The HEAT SENTRY thermostat can start the blower even if the hood is turned OFF. When this occurs, it is impossible to turn the blower OFF with its switch. If you must stop the blower, do it from the main electrical panel.**



## HALOGEN BULBS

This range hood requires two halogen bulbs (max 20W, 12V, TYPE MR16 bulb shielded, GU 5.3 Base).

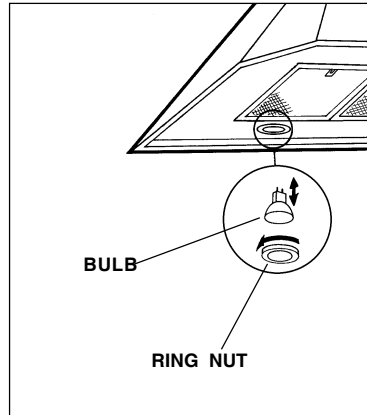
**ALWAYS SWITCH OFF THE ELECTRICITY SUPPLY BEFORE CARRYING OUT ANY OPERATIONS ON THE APPLIANCE.**

To change bulbs:

1. Loosen the ring nut by turning it counterclockwise.
2. Pull the bulb downwards to remove - DO NOT ROTATE.

**CAUTION: BULB MAY BE HOT!**

3. Replace with max 20W, 12V, TYPE MR16 bulb shielded, GU 5.3 Base halogen bulb.



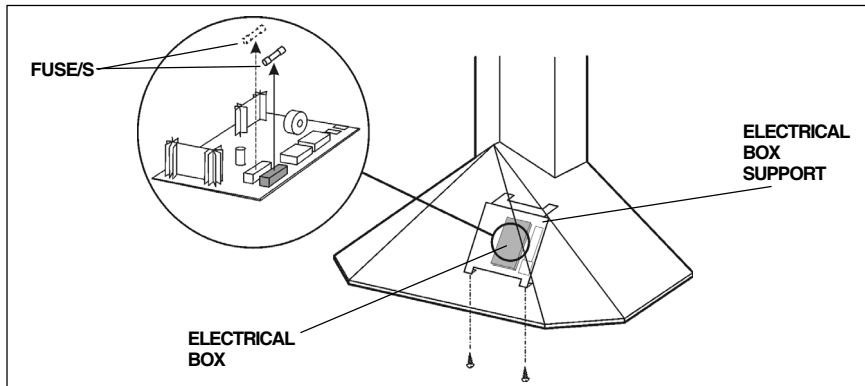
## FUSE REPLACEMENT

**SWITCH OFF THE ELECTRICITY SUPPLY.**

Remove the grease filters.

Remove the electrical box support and open the electrical box.

Replace with the same type of fuse (5x20mm, 4A, 125V).



# WARRANTY

---

## ONE YEAR LIMITED WARRANTY FOR BEST PRODUCTS

Broan-NuTone LLC (Broan-NuTone) warrants to the original consumer purchaser of Best products that such products will be free from defects in materials or workmanship for a period of one year from the date of original purchase. THERE ARE NO OTHER WARRANTIES, EXPRESS OR IMPLIED, INCLUDING, BUT NOT LIMITED TO, IMPLIED WARRANTIES OR MERCHANT ABILITY OR FITNESS FOR A PARTICULAR PURPOSE.

During this one-year period, Broan-NuTone will, at its option, repair or replace, without charge, any product or part which is found to be defective under normal use and service.

THIS WARRANTY DOES NOT EXTEND TO FLUORESCENT LAMP STARTERS, TUBES, HALOGEN AND INCANDESCENT BULBS, FUSE, FILTERS, DUCTS, ROOF CAPS, WALL CAPS AND OTHER ACCESSORIES FOR DUCTING. This warranty does not cover (a) normal maintenance and service or (b) any products or parts which have been subject to misuse, negligence, accident, improper maintenance or repair (other than by Broan-NuTone), faulty installation or installation contrary to recommended installation instructions.

The duration of any implied warranty is limited to the one-year period as specified for the express warranty. Some states do not allow limitation on how long an implied warranty lasts, so the above limitation may not apply to you.

BROAN-NUTONE'S OBLIGATION TO REPAIR OR REPLACE, AT BROAN-NUTONE'S OPTION, SHALL BE THE PURCHASER'S SOLE AND EXCLUSIVE REMEDY UNDER THIS WARRANTY. BROAN-NUTONE SHALL NOT BE LIABLE FOR INCIDENTAL, CONSEQUENTIAL OR SPECIAL DAMAGES ARISING OUT OF OR IN CONNECTION WITH PRODUCT USE OR PERFORMANCE. Some states do not allow the exclusion or limitation of incidental or consequential damages, so the above limitation or exclusion may not apply to you.

This warranty gives you specific legal rights, and you may also have other rights, which vary from state to state. This warranty supersedes all prior warranties.

To qualify for warranty service, you must (a) notify Broan-NuTone at the address stated below or telephone number stated below, (b) give the model number and part identification and (c) describe the nature of any defect in the product or part. At the time of requesting warranty service, you must present evidence of the original purchase date.

In USA - Best®, 926 W. State Street, Hartford, WI 53027 (800-558-1711)

In Canada - Best®, 550 Lemire Blvd., Drummondville, QC J2C 7W9 (866-737-7770)

[www.BestRangeHoods.com](http://www.BestRangeHoods.com)

# LISEZ ET CONSERVEZ CES INSTRUCTIONS

 **SEULEMENT POUR UTILISATION DOMESTIQUE** 

  **AVERTISSEMENTS**

**POUR REDUIRE LES RISQUES D'INCENDIE, DE DECHARGES ELECTRIQUES OU DE DOMMAGES AUX PERSONNES, OBSERVEZ LES INSTRUCTIONS SUIVANTES:**

1. N'utilisez cet appareil que comme cela est indiqué par le constructeur. Si vous avez des problèmes, contactez le fabricant à l'adresse ou au numéro de téléphone indiqués dans la garantie.
2. Avant de pourvoir à l'entretien ou au nettoyage de votre appareil, éteignez-le au tableau des commandes ou bloquez le tableau des commandes afin d'éviter de le mettre en marche accidentellement. Si vous ne pouvez pas bloquer le système permettant d'éteindre votre appareil, appliquez un avertissement extérieur d'une façon sûre, comme par exemple un panneau, sur le tableau des commandes.
3. L'assemblage et la connexion électrique doivent être faits par des personnes qualifiées en respectant les normes et règlements en vigueur, y compris les normes et règlements concernant les possibilités d'incendie.
4. Il est indispensable qu'il y ait suffisamment d'air pour que la combustion et l'évacuation des gaz à travers le tuyau du brûleur du combustible ait lieu sans retour de flamme. Suivez les indications données par le fabricant du brûleur ainsi que les normes de sécurité comme celles qui sont publiées par l'Association Nationale pour la Protection contre les Incendies National Fire Protection Association (NFPA) et la American Society for Heating, Refrigeration and Air Conditioning Engineers (ASHRAE), et les autorités locales en matière de normes.
5. Quand vous coupez ou percez des trous dans le mur ou le plafond, n'abîmez pas les fils électriques ou autres.
6. Le ventilateur canalisé doit toujours évacuer l'air vers l'extérieur.
7. N'utilisez pas cet appareil avec un appareil contrôlant la vitesse à état solide.
8. Afin de diminuer tout risque d'incendie n'utilisez que des conduits en métal.
9. Votre appareil doit être relié à la terre.

**ATTENTION - POUR REDUIRE LES RISQUES D'INCENDIE DES MATIERES GRASSES QUI SONT EN TRAIN DE CUIRE:**

- A. Ne laissez jamais ni vos éléments chauffants, ni vos casseroles ou poêles sur le feu sans les contrôler si vous réglez l'apport de chaleur sur une position élevée. Si vos casseroles ou poêles débordent cela provoque de la vapeur et des éclaboussures de graisse qui peuvent prendre feu. Chauffez les huiles lentement à feu bas ou moyen.
- B. Faites toujours fonctionner votre hotte quand vous cuisez à des températures élevées ou quand vous cuisinez des plats flambés. (par ex. crêpes Suzette, Cerises "Jubilé", Steak au poivre flambé).
- C. Nettoyez régulièrement les ailes de vos ventilateurs. Ne permettez pas que la graisse s'accumule sur le ventilateur ou sur le filtre.
- D. Utilisez des casseroles de taille appropriée. Utilisez toujours des ustensiles de cuisson dont la taille est appropriée à la surface de votre élément de cuisson.

  **AVERTISSEMENTS**

**POUR REDUIRE LES RISQUES DE DOMMAGES AUX PERSONNES AU CAS OÙ VOTRE CUISINIÈRE PRENDRAIT FEU, OBSERVEZ LES INSTRUCTIONS SUIVANTES:\***

1. **ETEINDRE LES FLAMMES** à l'aide d'un couvercle le plus hermétique possible, une plaque à gâteaux, ou un plateau en métal, puis éteindre le brûleur. **ATTENTION à NE PAS VOUS BRÛLER.** Si les flammes ne s'éteignent pas immédiatement, **SORTEZ ET APPELEZ LES POMPIERS.**
2. **NE PRENEZ JAMAIS EN MAIN UNE POÊLE OU UNE CASSEROLE QUI A PRIS FEU** - Vous pourriez vous brûler.
3. **N'UTILISEZ PAS D'EAU,** ni torchons ou serviettes mouillés - vous provoqueriez une violente explosion de vapeur.

4. Utilisez un extincteur SEULEMENT si:
    - A. Vous savez que vous avez un extincteur Classe ABC, et vous en connaissez déjà le mode d'emploi.
    - B. Ce n'est pas un très gros incendie et qu'il se limite à l'endroit où il a explosé.
    - C. Vous êtes en train d'avertir les pompiers.
    - D. Vous avez la possibilité d'essayer d'éteindre l'incendie en ayant le dos tourné vers une issue.
- \* D'après les "Suggestions concernant la Sécurité contre les incendies des cuisines" publiées par NFPA.



## **ATTENTION**

---

1. Pour usage intérieur seulement.
2. Pour réduire tout risque d'incendie et pour évacuer correctement l'air, assurez-vous de prévoir un conduit de ventilation extérieur. Ne videz pas l'air dans les espaces limités par des murs ou des plafonds, les combles, les passages étroits ou les garages.
3. Faites très attention quand vous utilisez des produits de nettoyage ou des détergents.
4. Évitez d'utiliser des aliments pouvant s'enflammer sous la Range Hood.
5. N'utilisez cet appareil que pour une ventilation générale. Ne l'utilisez pas pour évacuer des matières ou des vapeurs dangereuses ou qui peuvent exploser.
6. Pour éviter de causer des dommages au moteur et de rendre les rotors bruyants et/ou non équilibrés, évitez que les sprays pour murs secs, la poussière de construction entrent en contact avec la partie électrique.
7. Le moteur de votre hotte a un thermostat qui éteindra automatiquement le moteur s'il est surchauffé. Le moteur se remettra en marche lorsqu'il se sera refroidi. Si le moteur continue à s'éteindre et à se remettre en marche, faites vérifier votre hotte.
8. Pour mieux capturer les impuretés de cuisine, le bas de votre hotte devrait être à une distance minimum de 24" et à une distance maximum de 30" au-dessus du plan de cuisson.
9. Vu que cette hotte est grande et lourde, il est recommandé de confier l'installation de cette hotte à deux personnes.
10. Ce produit est doté d'un thermostat qui active automatiquement le moteur. Pour réduire le risque de dommages et éviter l'activation accidentelle, positionner l'interrupteur du panneau de service sur la position OFF et bloquer le panneau de service ou mettre un avertissement externe, par exemple une plaquette.
11. Utiliser uniquement avec un kit de connexion pour alimentation homologué.
12. Nous vous recommandons de lire l'étiquette indiquant les caractéristiques de votre hotte pour de plus amples informations et exigences.
13. Pour diminuer les dangers d'incendie ou de choc électrique, installer cette hotte de cuisine uniquement parmi les modèles de ventilateurs externe "Best de Broan" modèles EB6, EB9, EB12, ou EB15, ou ventilateurs "In-Line, Best de Broan" Modèles ILB3, ILB6, ILB9, ou ILB11. On ne peut pas utiliser d'autres ventilateurs (Les ventilateurs sont vendus séparément).

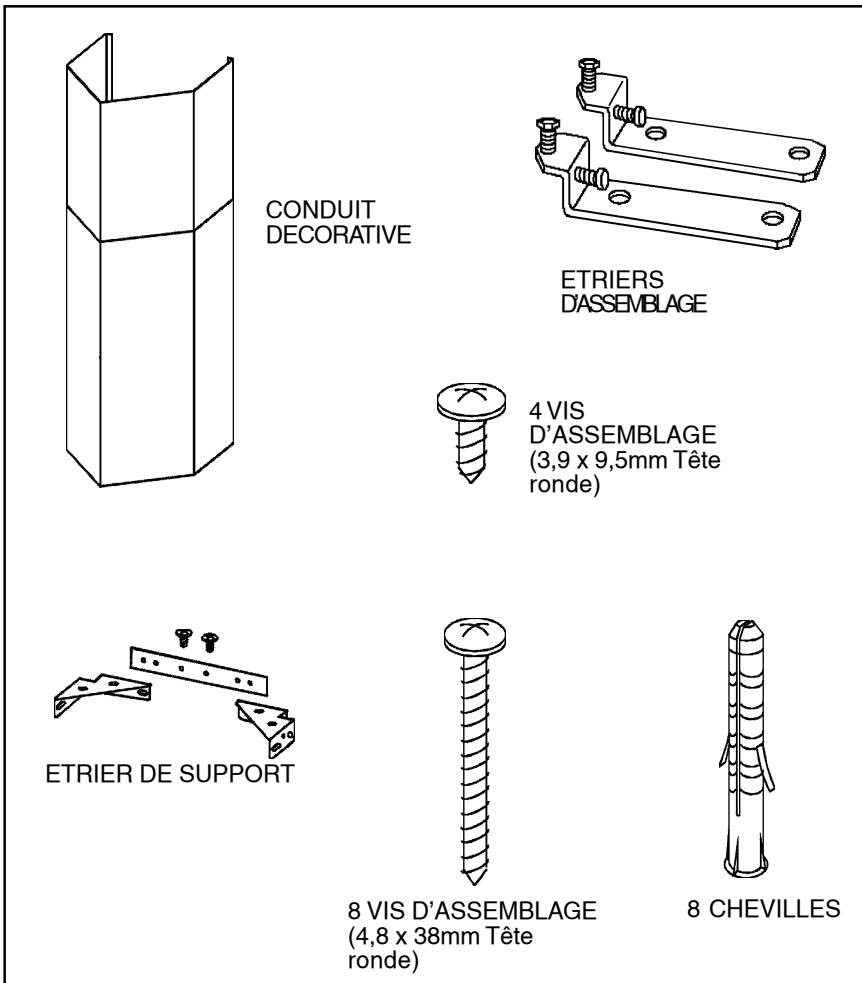


## PREPAREZ LA HOTTE

Enlever la hotte dans l'emballage et contrôler le contenu.

Vous devez recevoir :

- 1 - Hotte
- 1 - Conduit décoratif
- 1 - Sachet (B080810495) avec:
  - 2 - Étriers d'assemblage
  - 1 - Étrier de support
  - 8 - Vis d'assemblage (4,8 x 38mm Tête ronde)
  - 4 - Vis d'assemblage (3,9 x 9,5mm Tête ronde)
  - 8 - Chevilles
- 1 - Instructions pour l'installation
- 1 - Garantie



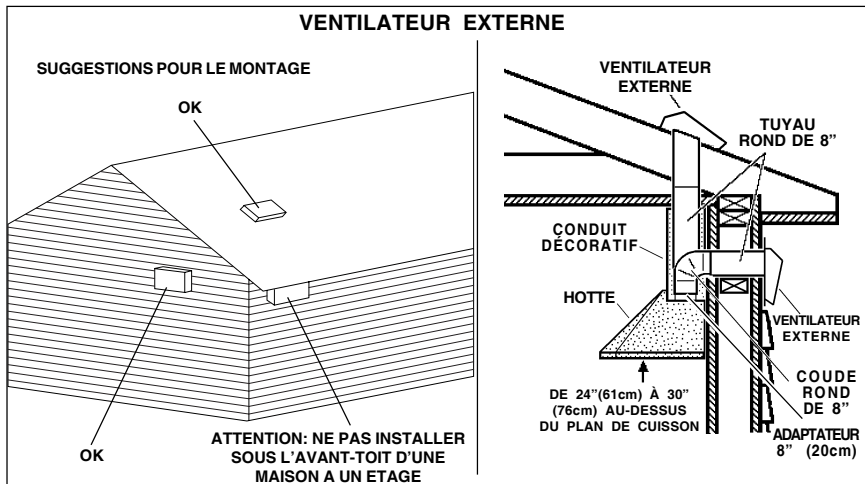
## CHOIX DE VENTILATEUR EXTERNE OU "IN-LINE"

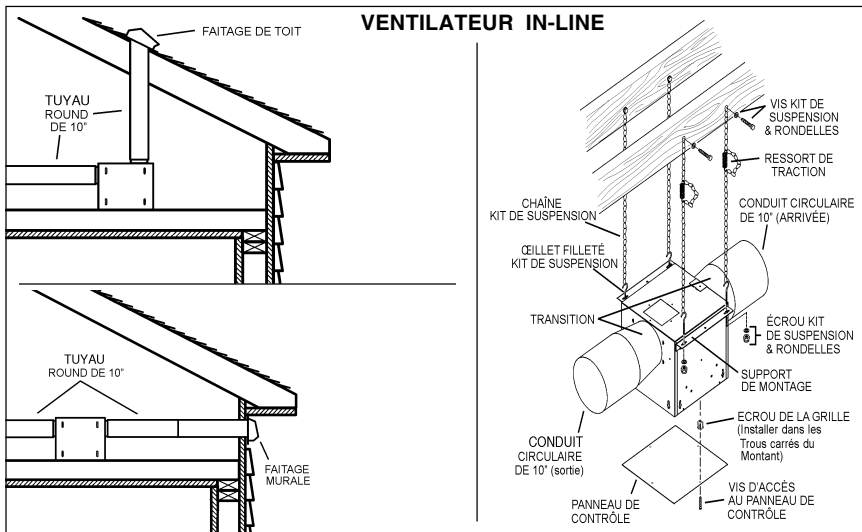
**ATTENTION:** avec cette hotte, on peut utiliser soit un ventilateur externe soit "In-Line". La hotte KEX30 doit être installée avec un ventilateur des modèles suivants EB6, EB9, EB12, EB15, ILB3, ILB6, ILB9, ou ILB11 uniquement. On ne peut pas utiliser d'autres ventilateurs (les ventilateurs sont vendus séparément). Le ventilateur doit être compris dans la liste **UL** pour l'utilisation au Canada et aux **USA** et approuvée pour l'utilisation avec un "dispositif de contrôle de la vitesse" à l'état solide, dont les données sur la plaque sont 120V, 60 Hz, 6.0 A max.

## INSTALLATION DU SYSTEME D'EVACUATION

**NOTE: Pour réduire les risques d'incendie n'utiliser que des conduits métalliques.**

1. Choisir l'emplacement où le ventilateur externe ou le ventilateur "In-Line" sera monté. Voir les illustrations ci-dessous pour le choix de l'emplacement et les éventuelles restrictions à suivre.
2. Un conduit d'évacuation étroit et court rendra la hotte plus performante.
3. Des conduits d'évacuation longs, avec des coudes et des raccords rendront la hotte moins efficace. Les utiliser le moins possible. En cas de conduits d'évacuation longs on utilisera un diamètre supérieur.
4. Après avoir installé le ventilateur externe ou le ventilateur "In-Line", raccorder le tuyau métallique rond dans le sens de l'emplacement de la hotte. Utiliser du chaterton pour fermer hermétiquement les joints entre les tuyaux.
5. Dans le modèle 414, il faut un tuyau d'un diamètre de 8" à 10". Pour obtenir de bons résultats il faut installer la transition le plus près possible de la hotte



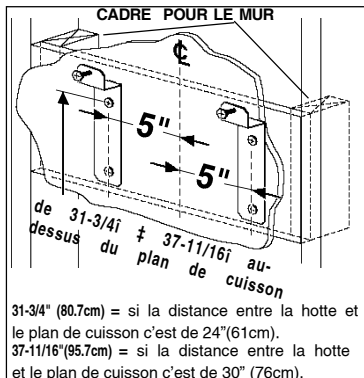


## INSTALLATION DES ETRIER D'ASSEMBLAGE

1. Construisez un **cadre** en bois pour le mur dont les vis-pivot ne dépassent pas.

Assurez-vous:

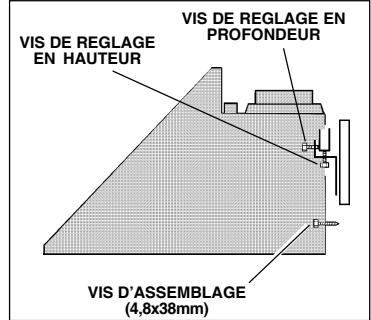
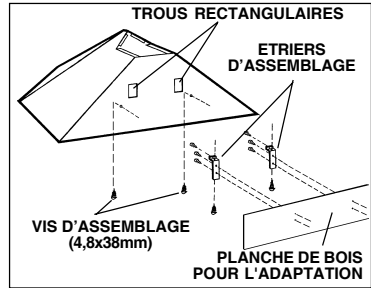
- a) que le cadre est centré au-dessus de l'emplacement de l'installation.
  - b) la hauteur du cadre permettra que les **étriers d'assemblage** soient fixés au cadre en respectant les dimensions indiquées.
2. Après avoir terminé la surface du mur, fixez les **étriers d'assemblage** au cadre en respectant les dimensions qui sont indiquées.



31-3/4" (80.7cm) = si la distance entre la hotte et le plan de cuisson c'est de 24"(61cm).  
 37-11/16" (95.7cm) = si la distance entre la hotte et le plan de cuisson c'est de 30" (76cm).

## INSTALLATION DE LA HOTTE

1. Accrochez votre hotte aux étriers par les **trous rectangulaires** qui se trouvent derrière votre hotte. Les trous sont plus grands que les étriers afin de vous permettre d'ajuster le tout horizontalement. Le fond de votre hotte devrait être à entre 24" et 30" au-dessus de la surface de cuisson.
2. Les **vis de réglage en hauteur** permettent de régler verticalement.
3. Les **vis de réglage en profondeur** permettent de régler horizontalement.
4. Fixez votre hotte avec des **vis d'assemblage** (4,8x38mm). Utilisez des chevilles pour mur à sec, qui vous sont fournies, si vous ne trouvez pas les vis-pivot ou le cadre.



## INSTALLATION ELECTRIQUE

**⚠ ATTENTION:** L'installation électrique doit être faite par du personnel qualifié selon les normes. Cette hotte de cuisinière doit être installée correctement.

**Ne pas faire fonctionner tant que tous les fils n'ont pas été branchés.**

### Branchement du ventilateur à la hotte :

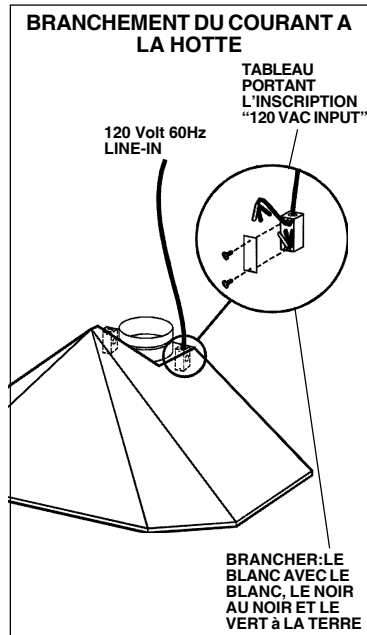
1. Tirer un câble à 2 fils avec la terre du ventilateur externe (ou ventilateur "In-Line") vers le tableau de l'installation électrique de la hotte portant la mention «motor connection».
2. Enlever le couvercle du tableau électrique et enlever un knockout.
3. Alimenter le knockout par un câble de 6" de diamètre et fixer le câble au tableau électrique par un raccord approprié.
4. Faire le branchement électrique à la hotte. Raccorder le blanc avec le blanc, **le rouge au noir** et le vert à la terre.
5. Remettre le couvercle sur le tableau électrique et en revissant s'assurer que les fils n'ont pas été pincés entre le couvercle et le tableau.

### Branchement du ventilateur externe ou «in-Line» :

1. Effectuer les branchements électriques sur le ventilateur externe ou "In-Line" (Voir la notice jointe)

### Branchement du courant à la hotte :

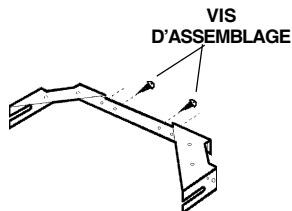
1. Tirer un câble électrique de 120 VAC au tableau électrique de la hotte portant l'inscription "120VAC input".
2. Enlever le couvercle du tableau électrique et enlever un knockout.
3. Alimenter le knockout par un câble de 6" de diamètre et fixer le câble au tableau électrique par un raccord approprié.
4. Faire le branchement électrique à la hotte. Raccorder le blanc avec le blanc, **le noir au noir** et le vert à la terre.
5. Remplacer le couvercle sur le tableau électrique et en revissant s'assurer que les fils n'ont pas été pincés entre le couvercle et le tableau.



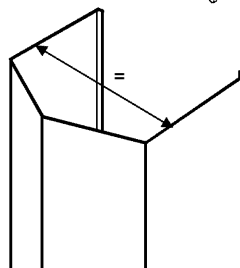
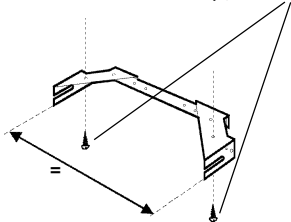
## CONNEXION DU SYSTEME D'EVACUATION

1. Régler l'**étrier de support**, de manière à ce que la largeur soit égale à celle du conduit décoratif supérieur. Installer et fixer les vis d'assemblage pour avoir l'étrier de la largeur exacte. Fixez l'étrier de support au plafond au moyen des vis d'assemblage (4,8x38mm) et des chevilles comme cela est indiqué.
2. Reliez le collier d'évacuation qui se trouve sur votre hotte au système de conduction qui se trouve au-dessus au moyen d'un **tuyau rond en métal de 8" (20 cm)**.
3. Utilisez un ruban pour tuyauterie afin de rendre toutes les jonctions sûres et étanches.
4. Placez précautionneusement le carneau décoratif inférieur dans la partie de la hotte en retrait.
5. Porter le conduit décoratif supérieur jusqu'au plafond et le fixer avec 2 vis d'assemblage (3,9x9,5mm).
6. Fixez le conduit décoratif à votre hotte au moyen des 2 vis d'assemblage (3,9x9,5mm) qui vous sont fournies.

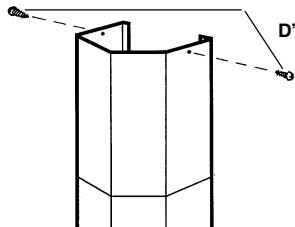
ETRIER DE SUPPORT DU CONDUIT



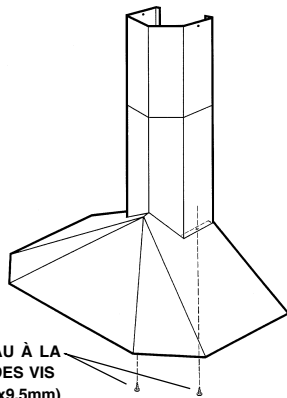
VIS D'ASSEMBLAGE (4,8x38mm)



FIXEZ LE TUYAU À L'ÉTRIER AU MOYEN DES VIS D'ASSEMBLAGE (3,9x9,5mm)



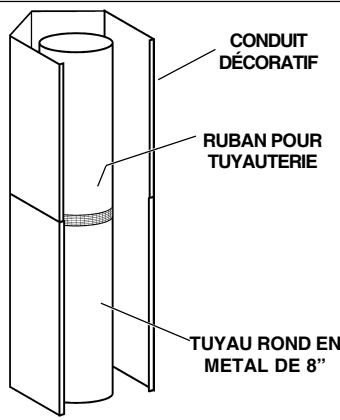
ATTACHEZ LE TUYAU À LA HOTTE AU MOYEN DES VIS D'ASSEMBLAGE (3,9x9,5mm)



CONDUIT DÉCORATIF

RUBAN POUR TUYAUTERIE

TUYAU ROND EN METAL DE 8"



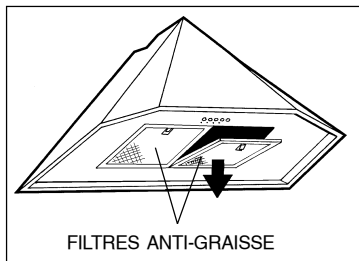
## ENTRETIEN

Un bon entretien de votre hotte garantira une excellente performance.

### **Filtres anti-graisse**

Les **filtres anti-graisse** doivent être nettoyés fréquemment: au bout d'environ 30 heures de fonctionnement, le LED rouge du "bouton On/OFF-vitesse<sup>1</sup>" se met à clignoter; cela indique que les filtres anti-graisse doivent être nettoyés. Utilisez une solution contenant un détergent tiède. Les filtres anti-graisse peuvent être lavés au lave-vaisselle.

Pour enlever les filtres anti-graisse: à l'aide de la poignée, pousser l'arrêt vers l'intérieur et tirer le filtre vers le bas.



### **Nettoyage de votre hotte**

L'acier inoxydable est une des matières les plus faciles à nettoyer. Un entretien de temps en temps permettra de le conserver en parfait état. Conseils pour le nettoyage:

- Eau chaude et savon ou détergent est tout ce qui est normalement nécessaire.
- Après chaque nettoyage, rincez bien à l'eau claire. Essuyez avec un chiffon propre et doux afin d'éviter les taches d'eau.
- Si des décolorations ou des dépôts persistent, utilisez un nettoyant domestique non abrasif ou de la poudre pour l'acier inoxydable et un peu d'eau et un chiffon doux.
- Dans les cas difficiles, utilisez une éponge en plastique ou une brosse douce avec du nettoyant et de l'eau. Frottez légèrement en suivant la direction du polissage ou du "grain" de l'acier inoxydable. Evitez de frotter trop fort afin de ne pas abîmer la surface.
- **NE LAISSEZ PAS** les taches trop longtemps.
- **N'UTILISEZ PAS** de laines d'acier ordinaires ou des brosses en acier. Des débris d'acier pourraient adhérer à la surface et causer de la rouille.
- **NE PERMETTEZ PAS** que des solutions salées, des désinfectants, des blanchissants ou des produits nettoyants restent en contact avec l'acier pendant longtemps. Beaucoup de ces produits contiennent des produits chimiques qui pourraient causer des dommages. Rincez à l'eau immédiatement s'ils entrent en contact et essuyez avec un chiffon humide.

Les surfaces peintes doivent être nettoyées avec de l'eau tiède additionnée d'un détergent doux seulement.

# FONCTIONNEMENT

## Commandes

Votre hotte fonctionne grâce aux (5) boutons sur lesquels vous devez appuyer et qui se trouvent sous la partie inférieure de la hotte.

Le **bouton de la lumière** allume et éteint les lampes halogènes. En pressant 1 fois la touche, la lumière s'allume au 1<sup>er</sup> niveau; en pressant 2 fois la touche, la lumière du 2<sup>ème</sup> niveau s'allume (éclairage plus intense); en pressant encore une fois la touche, la lumière s'éteint.

Le **bouton ON/OFF vitesse 1** du ventilateur fait fonctionner le ventilateur à la vitesse la plus basse. Vous éteignez le ventilateur appuyant sur le bouton pendant 2 secondes environ.

Le **bouton deuxième vitesse** fait fonctionner le ventilateur à une vitesse moyennement basse. En appuyant une deuxième fois sur ce bouton vous faites fonctionner un timer qui fera fonctionner le ventilateur à cette vitesse pendant 10 minutes. Le voyant lumineux clignotera pendant tout ce temps et le ventilateur s'arrêtera automatiquement.

Les **boutons du ventilateur 3ème et 4ème vitesse** font fonctionner ce dernier comme le bouton deuxième vitesse avec la différence que le bouton 3ème vitesse est une vitesse moyennement élevée et le bouton 4ème vitesse est une vitesse élevée.

Au bout d'environ 30 heures de fonctionnement, le LED rouge du "Bouton -vitesse 1" se met à clignoter; cela indique que les filtres anti-graisse doivent être nettoyés. Après avoir remonté les filtres anti-graisse propres, appuyez sur le bouton de la lumière pendant 2 secondes environ, au même temps les voyants lumineux clignotent.

## HEAT SENTRY<sup>MC</sup>

Votre hotte est munie d'un thermostat HEAT SENTRY<sup>MC</sup>. Ce thermostat est un dispositif qui actionnera ou augmentera la vitesse du ventilateur s'il détecte une chaleur excessive au-dessus de la surface de cuisson.

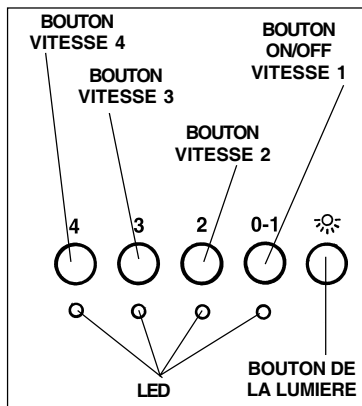
1) Si le ventilateur n'est pas en marche - il actionnera le ventilateur en haute vitesse.

2) Si le ventilateur fonctionne en basse vitesse - le ventilateur tournera en haute vitesse.

Lorsque la température revient à la normale, le ventilateur retourne à sa vitesse d'origine.

## AVERTISSEMENT

Le thermostat HEAT SENTRY<sup>MC</sup> peu actionner la hotte même si la hotte est arrêtée. Si tel est le cas, il est impossible de l'arrêter avec l'interrupteur. Si vous devez arrêter le ventilateur, faites-le à partir du panneau électrique principal.





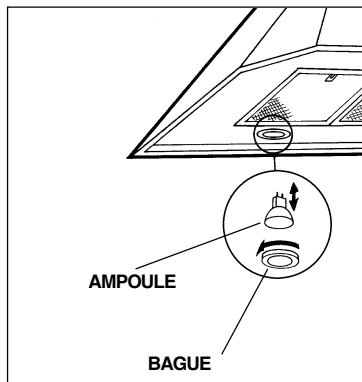
## AMPOULES HALOGENES

Ce modèle de hotte veut deux (2) ampoules halogènes (max 20W, 12V, TYPE MR16 ampoules avec écran, GU 5.3 Base).

**AVANT DE PROCÉDER À QUELCONQUE OPÉRATION, DÉBRANCHEZ L'APPAREIL.**

Pour changer les ampoules:

1. Dévissez la bague dans le sens contraire aux aiguilles d'une montre.
2. Enlevez l'ampoule en tirant sur le côté (NE LA FAITES PAS TOURNER). **ATTENTION: L'AMPOULE PEUT ÊTRE CHAUDE!**
3. Remplacer par une ampoule ayant les mêmes caractéristiques (max 20W, 12V, TYPE MR16 ampoules avec écran, GU 5.3 Base).



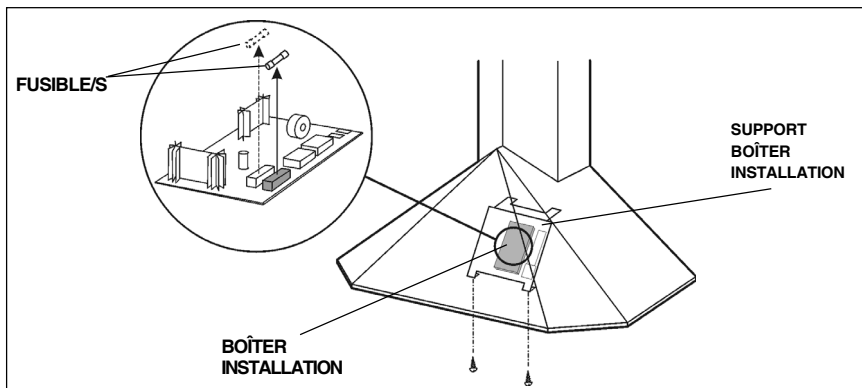
## REPLACEMENT FUSIBLE

**DÉBRANCHEZ L'APPAREIL.**

Enlevez les filtres anti-graisse.

Démontez le support boîtier installation électrique et ouvrir le boîtier installation électrique.

Remplacez par un fusible du même type (5x20mm, 4A, 125V).



# GARANTIE

## GARANTIE LIMITÉE DE UN AN DE BEST

Broan-NuTone LLC (Broan-NuTone) garantit à l'acheteur original que les produits BEST vendus en vertu de la présente sont libres de tout vice de matériau ou de fabrication pour une période de un an à compter de la date d'achat originale. CETTE GARANTIE NE COMPORTE AUCUNE AUTRE GARANTIE, EXPRESSE OU TACITE, Y COMPRIS, MAIS SANS S'Y LIMITER, LES GARANTIES TACITES DE VALEUR MARCHANDE OU D'ADAPTATION À UN USAGE PARTICULIER. Durant cette période de un an, Broan-NuTone réparera ou remplacera gratuitement, à sa discrétion, tout produit ou toute pièce jugés défectueux dans des conditions normales d'utilisation.

CETTE GARANTIE NE S'APPLIQUE PAS AUX TUBES FLUORESCENTS ET AUX STARTERS, NI AUX AMPOULES HALOGÈNES OU INCANDESCENTES, FUSIBLE, FILTRES, CONDUITES, CHAPEAUX DE TOIT, CHAPEAUX DE MUR ET AUTRES ACCESSOIRES POUR CANALISATIONS. Cette garantie ne couvre pas (a) les frais d'entretien ou de service normaux ni (b) tout produit ou toute pièce soumis à une utilisation inadéquate, une négligence, un accident, un entretien ou une réparation inadéquats (autres que ceux effectués par Broan-NuTone), une mauvaise installation ou une installation contraire aux instructions recommandées.

La durée de toute garantie tacite est limitée à la période de un an stipulée pour la garantie expresse. Certains États ou provinces ne permettent pas de limites quant à la durée d'une garantie implicite. La restriction susmentionnée peut donc ne pas s'appliquer dans votre cas.

BROAN-NUTONE'S L'OBLIGATION POUR BROAN-NUTONE DE RÉPARER OU DE REMPLACER LE PRODUIT, À SA DISCRÉTION, CONSTITUE LE SEUL RECOURS DE L'ACHETEUR EN VERTU DE CETTE GARANTIE. BROAN-NUTONE NE PEUT PAS ÊTRE TENUE RESPONSABLE DE TOUT DOMMAGE INDIRECT, CONSÉCUTIF OU ACCESSOIRE DÉCOULANT DE L'UTILISATION OU DU RENDEMENT DU PRODUIT. Certains États ou provinces interdisent l'exclusion ou la restriction des dommages indirects ou consécutifs. La restriction susmentionnée peut donc ne pas s'appliquer dans votre cas.

La présente garantie vous confère des droits spécifiques reconnus par la loi. D'autres droits pourraient également vous être accordés selon la législation locale en vigueur. La présente garantie remplace toutes les autres garanties précédentes.

Pour le service sous garantie, vous devez (a) aviser Broan-NuTone à l'une des adresses ou numéros de téléphone mentionnés ci-dessous, (b) indiquer le numéro de modèle et d'identification de la pièce et (c) décrire la défectuosité du produit ou de la pièce. Lors d'une réclamation, vous devez présenter une preuve de la date d'achat originale.

In USA - Best®, 926 W. State Street, Hartford, WI 53027 (800-558-1711)

In Canada - Best®, 550 Lemire Blvd., Drummondville, QC J2C 7W9 (866-737-7770)

[www.BestRangeHoods.com](http://www.BestRangeHoods.com)

# LEA Y CONSERVE ESTAS INSTRUCCIONES

 **INDICADO PARA EL USO EN COCINAS DOMESTICAS** 

  **ADVERTENCIA**

**PARA EVITAR EL RIESGO DE INCENDIO, CORTOCIRCUITO O DAÑO PARA LAS PERSONAS, OBSERVE ATENTAMENTE LAS SIGUIENTES NORMAS:**

1. Use esta unidad solamente de la manera indicada por el fabricante; si tiene dudas, póngase en contacto con éste a la dirección o teléfono indicados en la garantía.
2. Antes de hacer una revisión o de limpiar la unidad, desconéctela de la red para evitar que se encienda de manera accidental. En el caso de que éste no pueda ser desactivado, se indicará nel panel de servicio.
3. El montaje y la instalación eléctrica debe hacerlos un técnico especializado siguiendo las normas estándar e incluyendo aquellas de construcción anti incendio.
4. Necesita aire suficiente para una apropiada combustión y escape de gases a través del tubo del depósito de quema de combustible. Para evitar que el humo aspirado vuelva a la cocina, siga las directivas del fabricante y las normas estándar de seguridad así como las normas publicadas por la Asociación de prevención de incendios (NFPA) y la Sociedad americana de especialistas en cale-facción, refrigeración y aire acondicionado y además las normas de las autoridades locales.
5. Hacer un corte o un taladro en la pared o en el techo no debe dañar la instalación eléctrica u otras instalaciones ocultas en la pared.
6. Los conductos ventiladores deben siempre desalojar al exterior.
7. No use esta unidad con dispositivo de control de la velocidad a estado sólido.
8. Para evitar el riesgo de incendio, use solamente conductos de metal.
9. Esta unidad tiene que ser conectada a tierra.

**PARA EVITAR EL RIESGO DE FUEGO POR ALTO NIVEL DE GRASA:**

- A. Nunca abandone los quemadores con el fuego alto. La cocción causa humo y restos de grasa que pueden arder. Caliente el aceite a fuego medio o bajo.
- B. Encienda siempre la campana cuando cocine a fuego alto o cuando cocine alimentos fácilmente inflamables. (por ejemplo Crepes Suzette, Cerezas Jubilee, Ternera flambeada con granos de pimienta).
- C. Limpie con frecuencia los ventiladores. No se debe acumular grasa en el ventilador o en el filtro.
- D. Usa el tamaño de cazueta apropiado. Use siempre utensilios de cocina de tamaño y material adecuados.

  **ADVERTENCIA**

**PARA EVITAR EL RIESGO DE DAÑOS A PERSONAS EN CASO DE FUEGO POR ALTO NIVEL DE GRASA, TENGA EN CUENTA LO SIGUIENTE:\***

1. SOFOQUE LA LLAMA con una tapadera apropiada, una bandeja metálica ó un utensilio de cocina que pueda cubrirla, despues, apague el quemador. ACTÚE CON PRECAUCIÓN PARA EVITAR QUEMADURAS. Si la llama no se extingue inmediatamente, SALGA Y LLAME A LOS BOMBEROS.
2. NUNCA COJA UNA SARTEN EN LLAMAS, porque corre el riesgo de quemarse.
3. NO USE AGUA ni paños o toallas húmidas porque puede provocarse una violenta humareda.
4. Use un extintor SOLAMENTE si:
  - A. Posee un extintor de clase ABC y sabe perfectamente cómo usarlo.
  - B. El fuego es pequeño y está controlado en el mismo sitio en que empezó.
  - C. Ha llamado con anterioridad a los bomberos.
  - D. Puede combatir el fuego retrocediendo hacia la salida.

\* Basado en "Seguridad antifuego en la cocina" publicado por NFPA.



## ADVERTENCIA

---

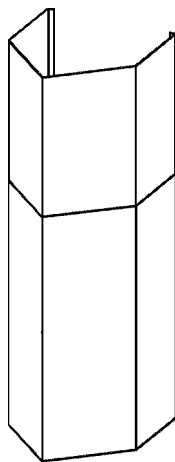
1. Para uso en interiores.
2. Para reducir el riesgo de incendios y para evacuar correctamente los humos, asegurarse de haber realizado una conducción del aire hasta el exterior. No expulsar los humos en espacios cerrados por paredes o techos, áticos, espacios angostos o garajes.
3. Prestar la máxima atención al utilizar productos de limpieza o detergentes.
4. Evitar el uso de productos alimentarios que puedan inflamarse bajo la campana.
5. Sólo para ventilación total. No use gases de escape peligrosos o materiales y vapores explosivos.
6. Para evitar daños en el funcionamiento del motor e impulsores ruidosos y/o desequilibrados, mantenga alejados de la unidad de encendido pulverizadores en seco o polvo.
7. El motor tiene un nivel de sobrecarga térmica que apaga automáticamente el motor cuando se ha recalentado excesivamente. El motor se pone de nuevo en funcionamiento cuando la temperatura baja. Si el motor comienza a encenderse y a apagarse, deberá hacer una revisión de éste.
8. Para limpiar mejor las impurezas al cocinar, la distancia entre la parte inferior de la campana y la zona de cocción debe ser mínimo 24" - máximo 30".
9. Debido a su gran tamaño y peso, se recomienda su montaje por parte de dos técnicos especializados.
10. Este producto está dotado de un termostato que pone en marcha automáticamente el motor. Para reducir el riesgo de daños y evitar que se encienda accidentalmente, colocar el interruptor del panel de servicio en la posición OFF y bloquear el panel de servicio o colocar una advertencia externa como por ejemplo un letrero o una chapita.
11. Use solamente con juego de conexión para alimentación aprobado.
12. Se recomienda leer la placa de características del producto para ulterior información.
13. Para reducir el riesgo de incendios o de descargas eléctricas, instale esta campana de extracción sólo con los modelos de ventiladores exteriores EB6, EB9, EB12 o EB15 de la marca Best de Broan o con los modelos de ventiladores In-Line ILB3, ILB6, ILB9 o ILB11 de la marca Best de Broan. No pueden reemplazarse por otro tipo de ventiladores (Los ventiladores se venden por separado).

## PREPARE LA CAMPANA

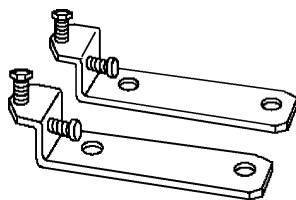
Sacar la campana de l'embalaje y controlar el contenido.

Recivireis:

- 1 - Campana
- 1 - Tubo decorativo
- 1 - Bolsita (B080810495) con:
  - 2 - Soportes de montaje
  - 1 - Soporte para el montaje del tubo
  - 8 - Tornillos de montaje (4,8 x 38mm cabeza redonda)
  - 4 - Tornillos de montaje (3,9 x 9,5mm cabeza redonda)
  - 8 - Escarpias
- 1 - Instrucciones para instalación
- 1 - Garantía



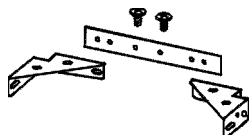
TUBO  
DECORATIVO



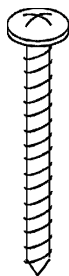
SOPORTES DE  
MONTAJE



4 TORNILLOS DE  
MONTAJE (3,9 x  
9,5mm cabeza  
redonda)



SOPORTE PARA EL  
MONTAJE DEL TUBO



8 TORNILLOS DE  
MONTAJE (4,8 x 38mm  
cabeza redonda)



8 ESCARPIAS

# SELECCIÓN DEL VENTILADOR EXTERIOR O DEL VENTILADOR IN-LINE

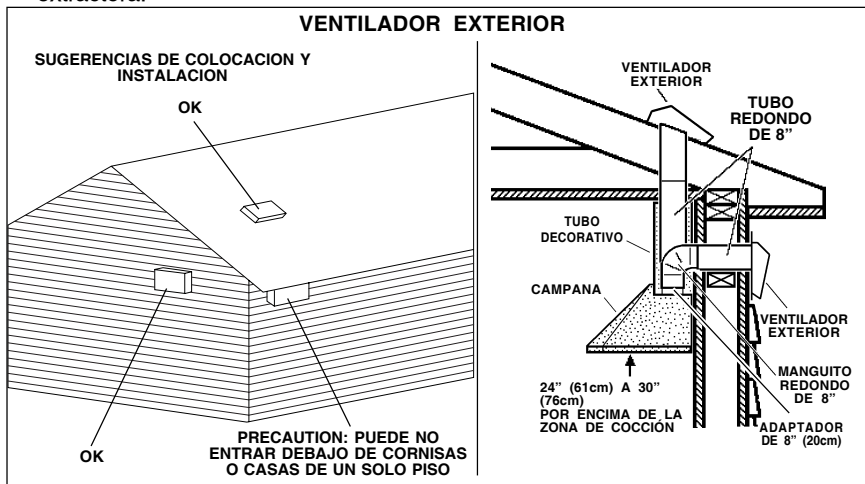
**PRECAUCIÓN:** con este tipo de campana se deben utilizar tanto un ventilador exterior como un ventilador in-line. La campana KEX30 debe instalarse utilizando ventiladores de los modelos EB6, EB9, EB12, EB15, ILB3, ILB6, ILB9 o ILB11 únicamente. No pueden reemplazarse por otro tipo de ventiladores (los ventiladores se venden por separado).

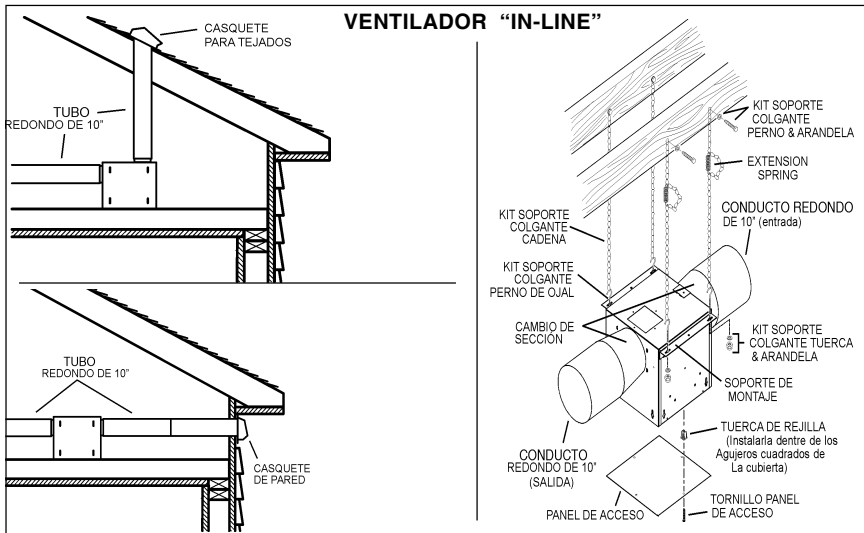
El ventilador tiene que estar incluido en la lista **UL** para el uso en Canadá y **USA** y tiene que ser evaluada la utilización con “dispositivo de control de la velocidad” en el estado sólido y los datos de su placa son 120 V, 60 Hz, 6.0 A máx.

## INSTALACION DEL TUBO DE EXTRACCION

**NOTA: Para reducir al riesgo de incendios, use únicamente conductores de metal.**

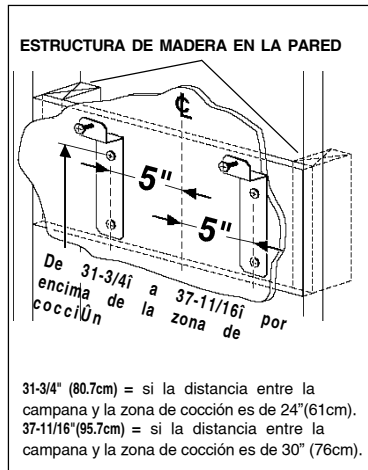
1. Escoja la posición donde hay que colocar el ventilador exterior o “In-Line”. Ver las ilustraciones de abajo, con las sugerencias de colocación, de instalación y las restricciones.
2. Un tubo corto y recto permite que la campana extractora funcione mejor.
3. Tubos de salida demasiado largos, codos y transiciones reducen la funcionalidad de la campana extractora. Uselos lo menos posible. Conductores más anchos pueden ser necesarios para un mejor funcionamiento de los tubos largos
4. Después de que se instaló el extractor externo o “In-Line”, conecten los tubos metálicos circulares y trabaje al contrario hacia la posición de la campana. Use cinta adhesiva para cerrar herméticamente las uniones entre las secciones del conducto.
5. Es necesario usar un tubo circular de 8” a 10” (Modelo 414). Para un mejor funcionamiento, instale el cambio de sección lo más cerca posible de la campana extractora.





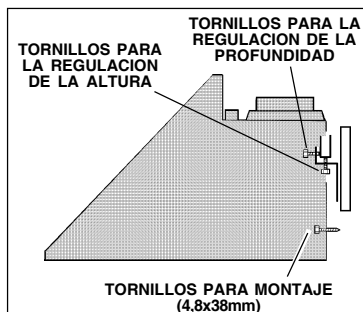
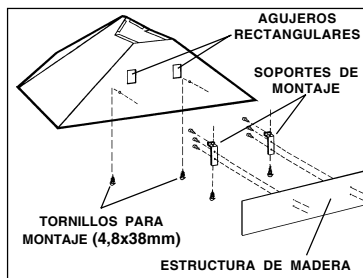
## INSTALACION DE LOS SOPORTES PARA EL MONTAJE

1. Construya una **estructura de madera** en la pared que quedará nivelada con la parte interior de los tacos en la pared. Asegúrese de que:
  - a) La estructura se encuentra centrada por encima de la instalación del tubo.
  - b) La altura de la estructura permite fijar los **soportes** para el montaje en esta estructura siguiendo las dimensiones indicadas.
2. Una vez que la superficie de la pared esté acabada, sujete los soportes para el montaje siguiendo las dimensiones indicadas.



## INSTALACION DE LA CAMPA- NA

1. Cuelgue la campana de los soportes por los **agujeros rectangulares** situados detrás de la campana. Los agujeros son más grandes que los soportes para permitir el ajuste en horizontal. La parte inferior de la campana debe estar a una distancia de 24" ó 30" por encima de la zona de cocción.
2. Los **tornillos para la regulación de la altura** permiten un ajuste en vertical.
3. Los **tornillos para la regulación de la profundidad** permiten un ajuste en horizontal.
4. Sujete la campana con **tornillos para montaje** (4,8x38mm). Use escarpas si no dispone de tacos o de la estructura de soporte en madera.





## INSTALACION ELECTRICA

**⚠ PRECAUCIÓN :** Toda la instalación eléctrica tiene que ser realizada exclusivamente por personal preparado y a norma con los estándares y las reglas establecidas. Esta campana tiene que ser instalada correctamente.

No encienda la campana hasta que todos los cables estén instalados.

### Conexión del ventilador a la campana:

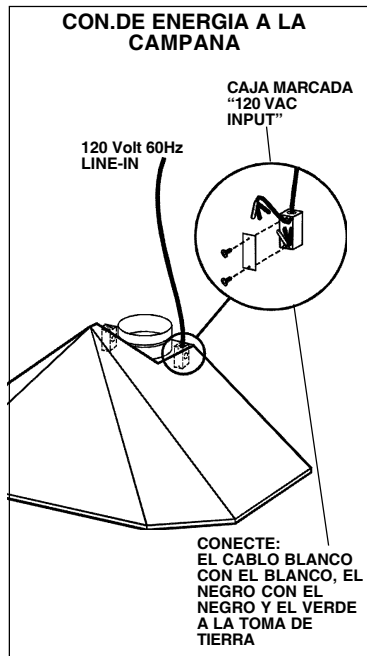
1. Pase un cable doble y una toma de tierra del ventilador exterior o "In-Line" hacia la caja de cables de la campana señalada «motor connection».
2. Quite la cubierta de la caja de cables y quite un knockout.
3. Alimente con la corriente el cable de 6 pulgadas a través de la apertura del knockout y sujete el cable a la caja eléctrica con la conexión apropiada.
4. Efectúe las conexiones eléctricas a la campana. Conecte el cable blanco con el blanco, **el rojo con el negro** y el verde con la toma de tierra.
5. Tape la caja de los cables y atorníllela. Asegúrese de que los cables no se queden pillados entre la cubierta y la caja.

### Conexión del ventilador exterior o "In-Line":

1. Efectúe las conexiones eléctricas al ventilador exterior o "In-Line" (véanse las instrucciones que se entregan con el ventilador exterior o "In-Line").

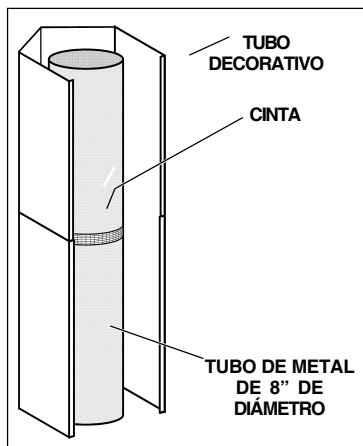
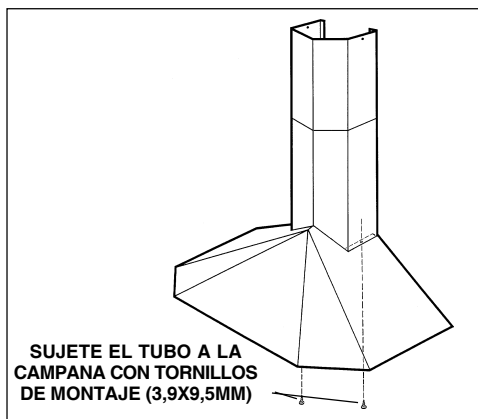
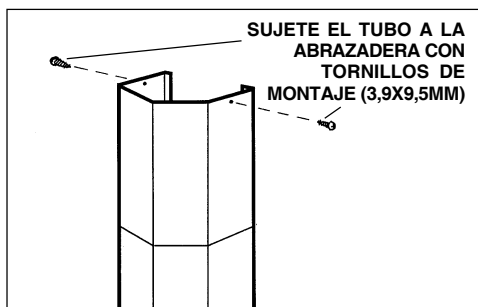
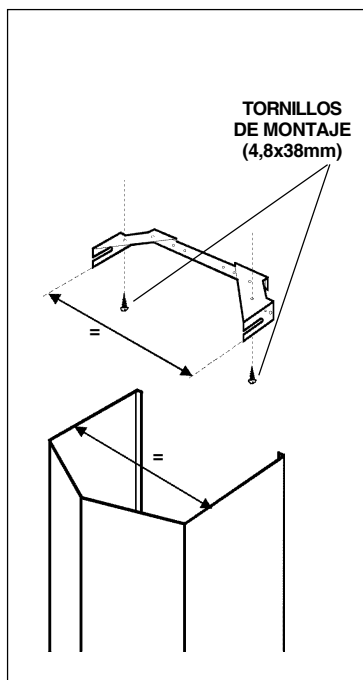
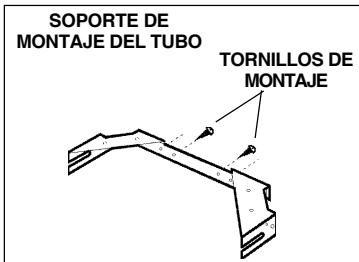
### Conexión de la corriente a la campana :

1. Pase un cable eléctrico a la caja eléctrica cables de la campana señalada «120VAC input».
2. Quite la tapa de la caja de cables y quite un Knockout.
3. Pase un cable de 6 pulgadas a través del apertura del knockout y asegure el cable a la caja de cables en la conexión apropiada.
4. Efectúe las conexiones a la campana. Conecte el cable blanco con el blanco, **el negro con el negro** y verde a la toma de tierra.
5. Tape la caja de los cables y atorníllela. Asegúrese de que los cables no se queden pillados entre la cubierta y la caja.



## ENTUBADO DE CANALIZACION

1. Regule el **soporte para el montaje del tubo** de manera que su ancho coincida con el del tubo superior. Colocar y fijar los tornillos de montaje para que el soporte se adapte a dicho ancho. Use tornillos de montaje (4,8x38mm) y escarpias para fijar al techo el soporte para el montaje del tubo como se indica.
2. Use un **tubo de metal** de 8" (20cm) de diámetro para unir el casquillo que se encuentra encima de la campana al tubo de extracción situado arriba.
3. Use **cinta** para ajustar todas las juntas y que quede hermético.
4. Coloque con cuidado la salida de humos decorativa inferior en el área empotrada de la parte superior de la campana de cocina.
5. Extienda el tubo superior hacia el techo y sujétela con 2 tornillos de montaje (3,9x9,5mm).
6. Sujete el tubo a la campana con 2 tornillos de montaje (3,9x9,5mm)



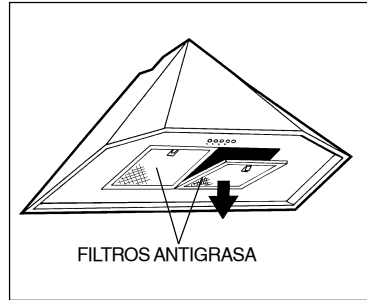
## MANTENIMIENTO

Un mantenimiento adecuado de la campana asegura el funcionamiento correcto del aparato.

### **Filtros antigrasa**

Los **filtros antigrasa** deben limpiarse a menudo: después de unas 30 horas de funcionamiento, el diodo rojo del “mando velocidad 1” parpadea indicando que hay que limpiar los filtros antigrasa. Use un detergente que no sea fuerte. Los filtros antigrasa se pueden meter en el lavavajillas.

Para extraer los filtros antigrasa, empuje de las manillas hacia dentro y tire de los filtros hacia abajo.



### **Limpieza de la campana**

El acero inoxidable es uno de los materiales más fáciles de limpiar, pero sería aconsejable un especial cuidado en su uso para mantenerla en buen estado.

La campana se puede limpiar de las siguientes maneras:

- Agua caliente con jabón o detergente es la mejor manera para limpiarla.
- Aclárela con agua corriente, séquela con un paño suave y limpio para evitar las huellas que deja el agua.
- Para las manchas o restos de grasa que persistan, use un producto químico doméstico que no raye ó un limpiador para acero inoxidable con poca agua y un paño suave.
- Si las manchas persisten, use un estropajo y un cepillo de cerdas suaves con un producto limpiador y agua. Frote suavemente en el sentido del pulido o de las “vetas” del remate del inoxidable. No apriete demasiado porque podría dañar la superficie.
- No deje que las manchas se acumulen durante mucho tiempo.
- No use utensilios o cepillos de acero. Pequeñas partículas de acero pueden adherirse y oxidarse.
- No use soluciones salinas, desinfectantes, lejías, o productos de limpieza que permanezcan en contacto con el acero inoxidable durante largos periodos de tiempo. Muchos de estos productos contienen componentes químicos que podrían resultar nocivos. Aclare con agua y seque con un paño limpio.

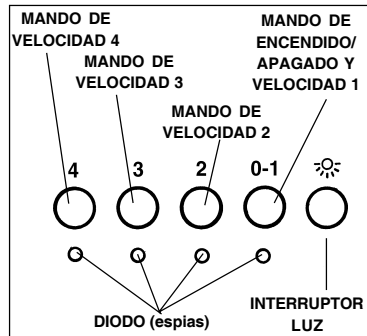
Las superficies lacadas deben limpiarse solamente con agua tibia y detergente no muy fuerte.

# FUNCIONAMIENTO

## Mandos

La campana se pone en funcionamiento usando los 5 mandos situados en la parte inferior de la campana.

El **interruptor luz** enciende y apaga las lámparas halógenas. Pulsando la tecla una vez, la luz se enciende a intensidad 1, pulsándolo una segunda vez, la luz se enciende a intensidad 2 (luz más intensa) y, pulsándolo otra vez más, la luz se apaga completamente.



El **mando de encendido- apagado y velocidad 1** del aspirador pone en funcionamiento el aspirador a una velocidad mínima. Manteniendo presionado el mando durante dos segundos aproximadamente, se apaga el aspirador.

El **mando de velocidad 2** pone el aspirador a una velocidad media- baja. Si acciona este mando otra vez se pone en funcionamiento un timer que mantiene el aspirador funcionando a dicha velocidad durante diez minutos. El diodo se mantiene encendido durante ese tiempo y el aspirador se apaga automáticamente.

El **mando de velocidad 3 y el de velocidad 4** funcionan como el de velocidad 2 pero el de velocidad 3 funciona a una velocidad medio- alta y el de velocidad 4 lo hace a una velocidad alta.

Después de unas 30 horas de funcionamiento, el diodo rojo del mando “velocidad 1” parpadea, indicando que hay que limpiar los filtros antigrasa. Una vez vueltos a colocar los filtros limpios, mantener presionado el interruptor luz durante dos segundos aproximadamente, mientras que la pantalla o diodos (espias) parpadearan.

## HEATSENTRYMR

Su campana esta equipada con termostato HEAT SENTRYMR. Este termostato tiene un mecanismo que se encenderá acelerará el ventilador si se detecta un calor excesivo encima de la cocina.

- 1) Si el ventilador esta apagando - el se prenderá a una velocidad máxima.
- 2) Si el ventilador esta encendido a una velocidad minima - el se prenderá a una velocidad máxima.

Cuando la temperatura disminuye a un nivel normal, el ventilador vuelve a la función de origen.

## AVERTENCIA

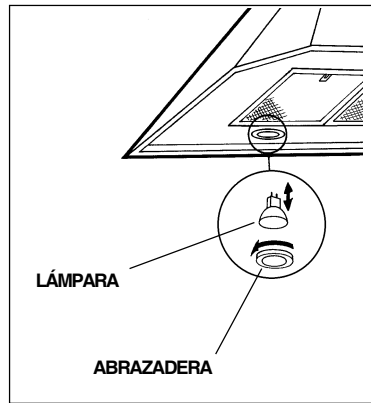
**El HEAT SENTRYmr termostato puede comenzar a funcionar al igual si la campana esta parada. En este caso, es imposible parar el ventilador con los interruptores. Si usted para la campana, halago a partir del panel eléctrico principal.**

## LAMPARAS HALOGENAS

Este tipo de campana necesita dos (2) lámparas halógenas (max 20W, 12V, TYPE MR16 lámparas con pantalla, GU 5.3 Base).

**ANTES DE PROCEDER A CUALQUIER OPERACIÓN, ES NECESARIO DESCONECTAR EL APARATO.** Para cambiar las lámparas:

1. Destornillar la abrazadera en sentido antihorario.
2. Extraiga la lámpara oblicuamente (NO LA GIRE) - **ATENCIÓN: LAS LÁMPARAS PUEDEN ESTAR CALIENTES.**
3. Sustituir con lámparas del tipo (max 20W, 12V, TYPE MR16 lámparas con pantalla, GU 5.3 Base).



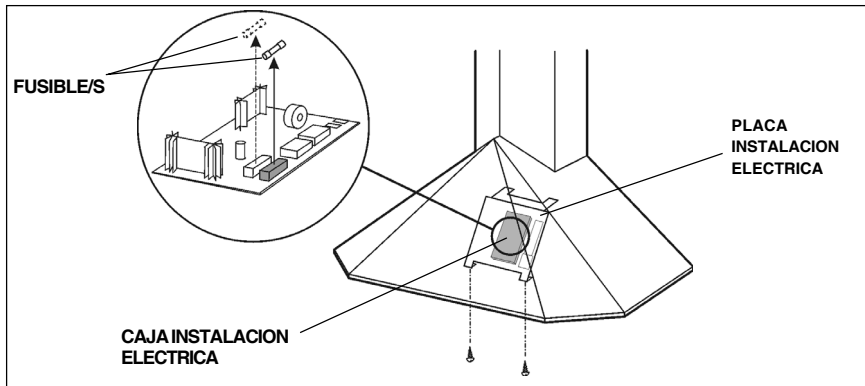
## SUSTITUCION FUSIBLE

**DESCONECTAR EL APARATO.**

Remover los filtros antigrasa.

Desmontar la placa de la instalación eléctrica y abrir la caja de la instalación eléctrica.

Sustituir por un fusible del mismo tipo (5x20mm, 4A, 125V).



# GARANTIA

## GARANTIA BEST POR UN AÑO

Broan-NuTone LLC (Broan-NuTone) garantiza al consumidor-comprador de sus productos BEST que dichos productos no tendrán defectos en los materiales o fabricación, durante un periodo de un año a partir de la fecha de la compra. NO HAY OTRO TIPO DE GARANTIAS QUE INCLUYAN O SE LIMITEN EXCLUSIVAMENTE A GARANTIAS IMPLICITAS O DE CAPACIDAD COMERCIAL O CONVENIENCIA PARA UN PROPOSITO ESPECIFICO.

Durante el periodo de un año, Broan-NuTone, si lo estima conveniente, reparará o reemplazará sin gastos para el usuario cualquier producto o parte de éste que sea defectuosos habiéndose usado correctamente.

ESTA GARANTIA NO CUBRE: ESTARTER DE NEON, NEON, LÁMPARAS HALÓGENAS, LÁMPARAS DE ILUMINACIÓN, FUSIBLE, FILTROS, CONDUCTOS, TAPAS DE TECHO, TAPAS DE PARED Y OTROS ACCESORIOS PARA LOS CONDUCTOS. Tampoco cubre el mantenimiento ni los productos o partes de éstos que hayan sido usados de forma incorrecta, con negligencia, rotos accidentalmente o por una incorrecta manutención ó reparación (distinta da la realizada por Broan-NuTone), montaje incorrecto ó instalación que no se ajuste a las instrucciones de montaje indicadas. La duración de la garantía se limita al periodo de un año como está especificado en la garantía explícita. Algunos países no permiten un limite en la duración de la garantía implícita; si es así en su caso, esta limitación arriba indicada podría no aplicarse.

LA PRESENTE GARANTIA CUBRIRA EXCLUSIVAMENTE AL COMPRADOR LOS SERVICIOS DESCRITOS ANTERIORMENTE. BROAN-NUTONE NO SE HACE RESPONSABLE DE DANOS PRODUCIDOS DE MANERA ACCIDENTAL O RELACIONADOS CON EL USO INCORRECTO DEL PRODUCTO O SU FUNCIONAMIENTO.

Algunos países no permiten la exclusión o limitación de los daños producidos de manera accidental, si es así en su caso, esta limitación arriba indicada podría no aplicarse. Esta garantía le da derechos legales específicos y podría también disponer de otros derechos que varían de país a país.

Esta garantía supera otras garantías dadas con anterioridad. Para disfrutar de la garantía usted deberá (a) Avisar a la dirección abajo indicada ó bien llamar por teléfono (b) Dar el número de serie del modelo correspondiente o bien una descripción de la parte averiada. (c) Descripción del defecto en el producto o bien en una de sus partes. Para requerir un servicio en garantía debe presentar el justificante con la fecha de la compra.

In USA - Best®, 926 W. State Street, Hartford, WI 53027 (800-558-1711)

In Canada - Best®, 550 Lemire Blvd., Drummondville, QC J2C 7W9 (866-737-7770)

[www.BestRangeHoods.com](http://www.BestRangeHoods.com)

## SERVICE PARTS

**MODEL KEX30 HS** - Parts for stainless steel models shown. For service parts for black, white, polished brass, or brushed copper models, call Broan Customer Service.

KEY NO.	PART NO.	DESCRIPTION
9	B08087018	Grease Filter
16	BE3345123	Electrical Box Support (90cm model)
16	BE3345168	Electrical Box Support (48" model)
19	B03295005	Transformer Protection
26	B02300774	Halogen Lamp Bulb
37	B02300787	Heat Sentry
38	B03292357	Wiring Box
38	BW0000027	Control Board + Trimming
39	B03294033	Wiring Box Cover
57	BE3300527	Damper Flap
62	BE3345316	Blower Mounting Cover
86	B08088242	Discharge Collar and Damper Flap
92	B08091925	Switch Mounting Bracket
110	B03202430	Flue Gasket
113	B02011284	Nameplate
115	BE3334250	Wiring Box
116	BE3334252	Wiring Box Cover
118	BE3347628	Decorative Flue Bottom
119	BE3347629	Decorative FlueTop
120	B08091367	Flue Mounting Bracket
144	B03292287	Wire Clamp
166	B08086644	Wiring Board (90cm model)
166	B08086670	Wiring Board (48" model)
196	B02009193	Reflector
199	B02300688	Lamp Socket
200	B02009103	Lamp Shroud
208	B02300783	Transformer (90cm model)
208	B02300792	Transformer (48" model)
223	B03202296	Switch Button
230	B03292477	Control Board Box Cover
234	B03292476	Control Board Box
250	B02009102	Ring Nut
477	B03294776	Transformer Protection Cover
998	B080810495	Hardware Package
*	B06107333	Switch Assembly (Includes Key Nos. 38, 223, 230, 234,)

\* Not shown assembled.

## LISTE PIÈCES DE RECHANGE

**MODELE KEX30 HS** - Ci-dessous liste pièces de rechange pour hottes en inox. Pour les pièces de rechange des modèles de couleurs noir, blanc, laiton jaune poli, cuivre brossé, contacter Broan Customer Service.

N.	PART N.	DESCRIPTION
9	B08087018	Filtre anti-graisse
16	BE3345123	Support boîte installation électrique (modèle 90cm)
16	BE3345168	Support boîte installation électrique (modèle 48")
19	B03295005	Protection transformateur
26	B02300774	Lampe halogène
37	B02300787	Capteur de température
38	B03292357	Boîte installation électrique
38	BW0000027	Circuit imprimé commandes + enjoliveur
39	B03294033	Couvercle boîte installation électrique
57	BE3300527	Clapet anti-retour
62	BE3345316	Support moteur
86	B08088242	Collier d'évacuation et clapet anti-retour
92	B08091925	Etriers commandes
110	B03202430	Garniture
113	B02011284	Plaquette logo
115	BE3334250	Boîte alimentation
116	BE3334252	Couvercle boîte alimentation
118	BE3347628	Conduit décoratif inférieur
119	BE3347629	Conduit décoratif supérieur
120	B08091367	Etrier de support
144	B03292287	Serre cable
166	B08086644	Circuit imprimé installation électrique (modèle 90cm)
166	B08086670	Circuit imprimé installation électrique (modèle 48")
196	B02009193	Reflecteur
199	B02300688	Support ceramique lampe
200	B02009103	Protection lampe
208	B02300783	Transformateur (modèle 90cm)
208	B02300792	Transformateur (modèle 48")
223	B03202296	Bouton
230	B03292477	Couvercle boîte commandes
234	B03292476	Boîte commandes
250	B02009102	Embout
477	B03294776	Couvercle protection transformateur
998	B080810495	Accessoires de fixation
*	B06107333	Ensemble commandes (Comprenant n. 38, 223, 230, 234, )

\* Illustrées separement.



## LISTA DE PIEZAS DE RECAMBIO

**MODELO KEX30 HS** - Aquí aparecen solamente las piezas de recambio para campanas de acero inoxidable, si desean las piezas de recambio de los modelos en blanco, negro, latón lustrado ó cobre acepillado, pónganse en contacto con el servicio al cliente de Broan.

CÓD. N.	PIEZA N.	DESCRIPCIÓN
9	B08087018	Filtro antigrasa
16	BE3345123	Soporte de la caja de instalación eléctrica (modelo 90cm)
16	BE3345168	Soporte de la caja de instalación eléctrica (modelo 48")
19	B03295005	Protección transformador
26	B02300774	Lámpara halógena
37	B02300787	Sensor de temperatura
38	B03292357	Caja de instalación eléctrica
38	BW0000027	Base de los mandos + tarjeta
39	B03294033	Tapa de la caja de instalación eléctrica
57	BE3300527	Válvula de no retorno
62	BE3345316	Soporte motor
86	B08088242	Casquillo y válvula de no retorno
92	B08091925	Soporte de montaje de los mandos
110	B03202430	Guarnición
113	B02011284	Placa marca
115	BE3334250	Caja de alimentación
116	BE3334252	Tapa de la caja de alimentación
118	BE3347628	Tubo decorativo inferior
119	BE3347629	Tubo decorativo superior
120	B08091367	Soporte de montaje del tubo
144	B03292287	Sujeta cabos
166	B08086644	Base para instalación eléctrica (modelo 90cm)
166	B08086670	Base para instalación eléctrica (modelo 48")
196	B02009193	Reflector
199	B02300688	Soporte de cerámica de la lámpara
200	B02009103	Protección de la lámpara
208	B02300783	Transformador (modelo 90cm)
208	B02300792	Transformador (modelo 48")
223	B03202296	Mando
230	B03292477	Tapa de la caja mandos
234	B03292476	Caja de los mandos
250	B02009102	Abrazadera
477	B03294776	Tapa protección transformador
998	B080810495	Accesorios para el montaje
*	B06107333	Conjunto mandos (Incluye los N. 38, 223, 230, 234)

\* Se encuentran por separado.

# SERVICE PARTS - LISTE PIECES DE RECHANGE - LISTA DE PIEZAS DE RECAMBIO

MODEL KEX30 Heat Sentry

