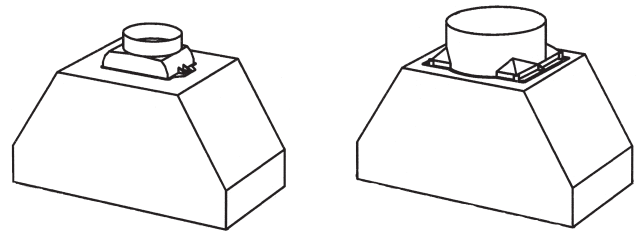


P195 SERIES POWER PACK



Best quality design and craftsmanship in a unit that mounts flush with the bottom of cabinets or in a custom hood.

FEATURES

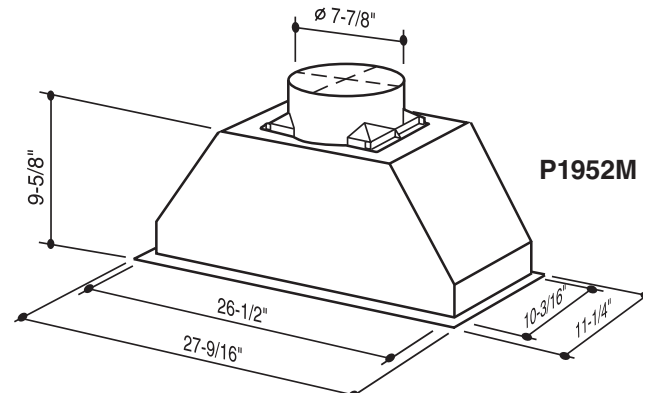
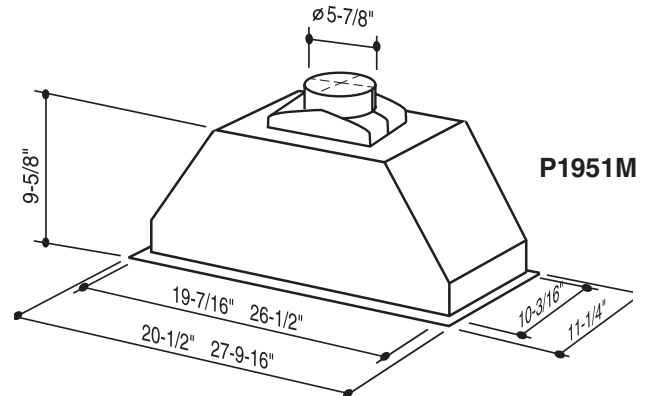
- Italian design
- Cabinet mount – custom applications
- Finishes: 430 Stainless Steel, White, Black
- Widths: 52cm (20½”), 70cm (27-9/16”) (P1952M 70cm only)
- 6” (400 cfm) or 8” (800 cfm) round duct connector/back-draft damper
- Convertible to recirculating mode with filter kit sold separately (Model P1951M only)
- Halogen lighting (2 bulbs included. Type GU10, MR16 shielded, 120 volt, 50 watts max.)
- Push button controls: lights, three speeds
- Centrifugal blower
- Heat Sentry™ - automatically turns blower to high speed when excess cooking heat is detected
- For indoor use only

OPTIONS

- Recirculating filters (Model No. ROUNDFILTER)
- Stainless liner (Model Nos. L5230, L7030, L7036, L7048)
- Ambient light panel (Model Nos. ALP30, ALP36, ALP48)

SPECIFICATIONS

MODEL	VOLTS	AMPS	CFM	SONES	DUCT
P1951M	120	3.53	450	8.0	6” round
P1952M	120	6.23	800	10.0	8” round



HVI-2100 CERTIFIED RATINGS comply with new testing technologies and procedures prescribed by the Home Ventilating Institute, for off-the-shelf products, as they are available to consumers. Product performance is rated at 0.1 in. static pressure, based on tests conducted in a state-of-the-art test laboratory. Sones are a measure of humanly-perceived loudness, based on laboratory measurements.

Mount power pack so bottom is 24” to 30” over cooking surface.

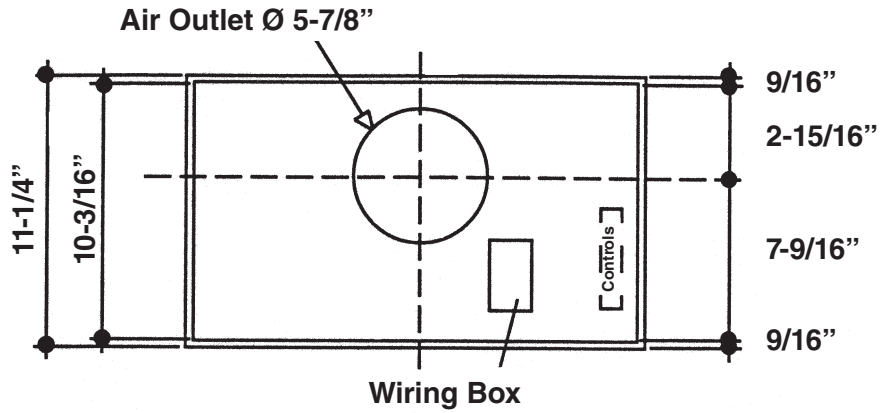
Custom metal liner may be required – contact local building authority.

BEST Hartford, Wisconsin www.BestRangeHoods.com 800-558-1711
 BEST Drummondville, QC, Canada www.BestRangeHoods.com 866-737-7770

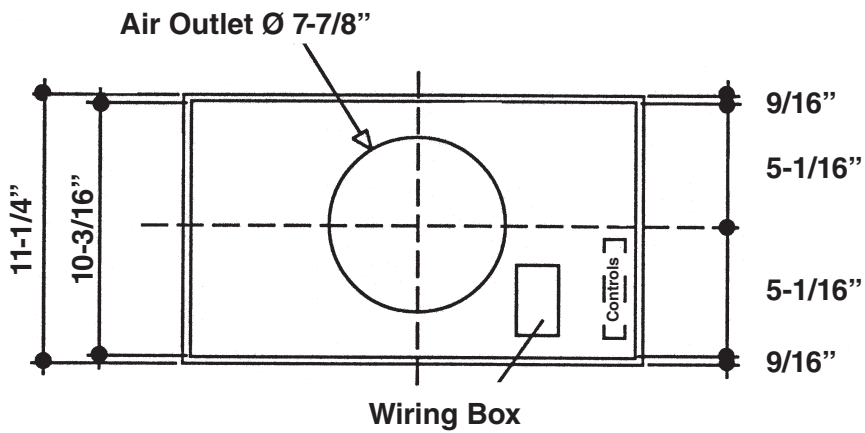
REFERENCE	QTY.	REMARKS	Project
			Location
			Architect
			Engineer
			Contractor
			Submitted by Date

P195 SERIES WIRING

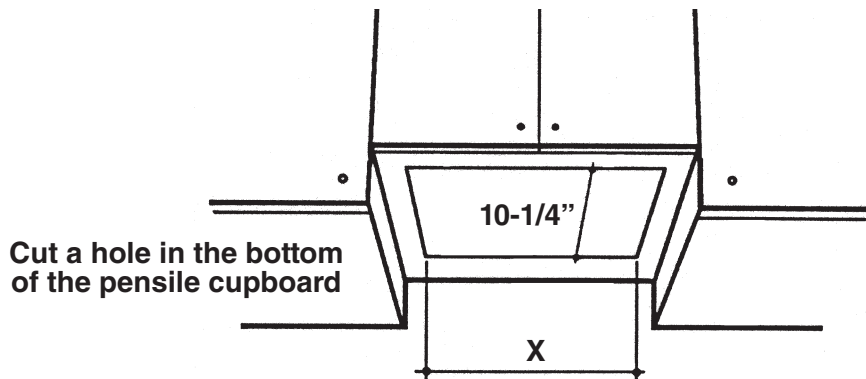
ONE
MOTOR



TWO
MOTORS



P195 SERIES MOUNTING



X = 19-1/2" for 52cm version
X = 26-5/8" for 70cm version