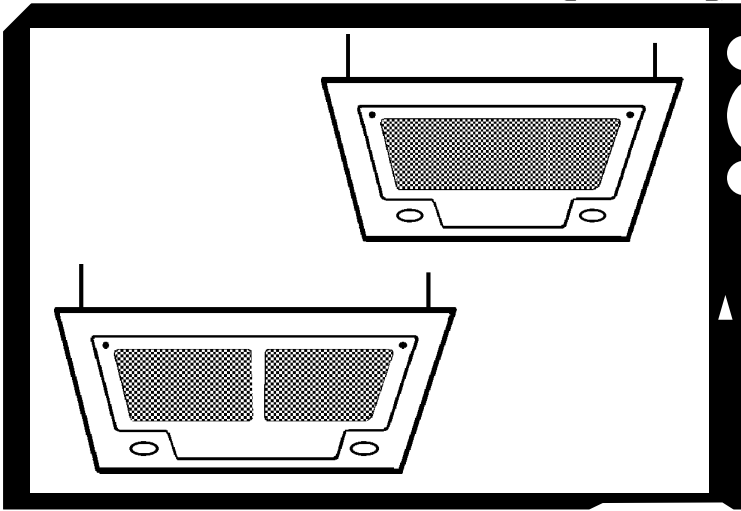


best



Model P195

ENGLISH.....	3
FRANÇAIS.....	11
ESPAÑOL.....	19

In USA - BEST Hartford, Wisconsin
In CANADA - BEST Drummondville, QC, Canada

REGISTER YOUR PRODUCT ONLINE AT : www.BestRangeHoods.com/register
For additional Information visit www.BestRangeHoods.com

READ AND SAVE THESE INSTRUCTIONS

 **INTENDED FOR DOMESTIC COOKING ONLY** 

WARNING

TO REDUCE THE RISK OF FIRE, ELECTRIC SHOCK, OR INJURY TO PERSONS, OBSERVE THE FOLLOWING:

1. Use this unit only in the manner intended by the manufacturer. If you have questions, contact the manufacturer at the address or telephone number listed in the warranty.
2. Before servicing or cleaning unit, switch power off at service panel and lock service panel to prevent power from being switched on accidentally. When the service disconnecting means cannot be locked, securely fasten a prominent warning device, such as a tag, to the service panel.
3. Installation work and electrical wiring must be done by a qualified person(s) in accordance with all applicable codes and standards, including fire-rated construction codes and standards.
4. Sufficient air is needed for proper combustion and exhausting of gases through the flue (chimney) of fuel burning equipment to prevent backdrafting. Follow the heating equipment manufacturer's guidelines and safety standards such as those published by the National Fire Protection Association (NFPA), and the American Society for Heating, Refrigeration and Air Conditioning Engineers (ASHRAE), and the local code authorities.
5. When cutting or drilling into wall or ceiling, do not damage electrical wiring and other hidden utilities.
6. Ducted fans must always be vented to the outdoors.
7. Do not use this unit with any separate solid-state speed control device.
8. To reduce the risk of fire, use only metal ductwork.
9. This unit must be grounded.

TO REDUCE THE RISK OF A RANGE TOP GREASE FIRE:

- A. Never leave surface units unattended at high settings. Boilovers cause smoking and greasy spillovers that may ignite. Heat oils slowly on low or medium settings.
- B. Always turn hood ON when cooking at high heat or when cooking flaming foods. (i.e. Crepes Suzette, Cherries Jubilee, Peppercorn Beef Flambe').
- C. Clean ventilating fans frequently. Grease should not be allowed to accumulate on fan or filter.
- D. Use proper pan size. Always use cookware appropriate for the size of the surface element.

WARNING

TO REDUCE THE RISK OF INJURY TO PERSONS IN THE EVENT OF A RANGE TOP GREASE FIRE, OBSERVE THE FOLLOWING:*

1. **SMOTHER FLAMES** with a close-fitting lid, cookie sheet, or metal tray, then turn off the burner. **BE CAREFUL TO PREVENT BURNS.** If the flames do not go out immediately, **EVACUATE AND CALL THE FIRE DEPARTMENT.**
2. **NEVER PICK UP A FLAMING PAN** - You may be burned.
3. **DO NOT USE WATER**, including wet dishcloths or towels - violent steam explosion will result.
4. Use an extinguisher **ONLY** if:
 - A. You know you have a Class ABC extinguisher and you already know how to operate it.
 - B. The fire is small and contained in the area where it started.
 - C. The fire department is being called.
 - D. You can fight the fire with your back to an exit.

* Based on "Kitchen Fire Safety Tips" published by NFPA.

CAUTION

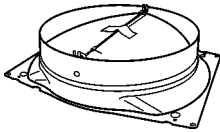
1. For indoor use only.
2. To reduce risk of fire and to properly exhaust air, be sure to duct air outside. Do not vent exhaust air into spaces within walls or ceilings or into attics, crawl spaces, or garages.
3. Take care when using cleaning agents or detergents.
4. Avoid using food products that produce flames under the Range Hood.
5. For general ventilating use only. Do not use to exhaust hazardous or explosive materials and vapors.
6. To avoid motor bearing damage and noisy and/or unbalanced impellers, keep drywall spray, construction dust, etc. off power unit.
7. Your hood motor has a thermal overload which will automatically shut off the motor if it becomes overheated. The motor will restart when it cools down. If the motor continues to shut off and restart, have the hood serviced.
8. For best capture of cooking impurities, the bottom of the hood should be a minimum of 24" and a maximum of 30" above the cooking surface.
9. Two installers are recommended because of the large size and weight of this hood.
10. This product is equipped with a thermostat which may start blower automatically. To reduce the risk of injury and to prevent power from being switched on accidentally, switch power off at service panel and lock or tag service panel.
11. Use with approved cord-connection kit only.
12. Please read specification label on product for further information and requirements.
13. To reduce the risk of fire and electric shock, install this range hood only with Best by Broan Exterior blower models EB6, EB9, EB12, or EB15, or Best by Broan In-Line Blower models ILB3, ILB6, ILB9, or ILB11. Other Blowers cannot be substituted (Blowers sold separately).

PREPARE THE HOOD

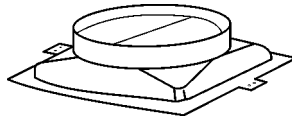
Unpack hood and check contents.

You should receive:

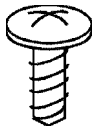
- 1 - Hood
- 1 - Parts Bag (B080810286) containing:
 - 6 - Mounting Screws (3,2 x 16mm Pan Head)
 - 4 - Mounting Screws (3,9 x 9,5mm Pan Head)
- 1 - Duct Connector (+ Non Return Flap)
- 1 - Installation Instructions



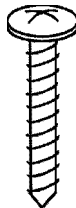
DUCT CONNECTOR
(version 2 motors)



DUCT CONNECTOR
(version 1 motors)



4 MOUNTING SCREWS
(3,9 x 9,5mm Pan Head)



6 MOUNTING SCREWS
(3,2 x 16mm Pan Head)

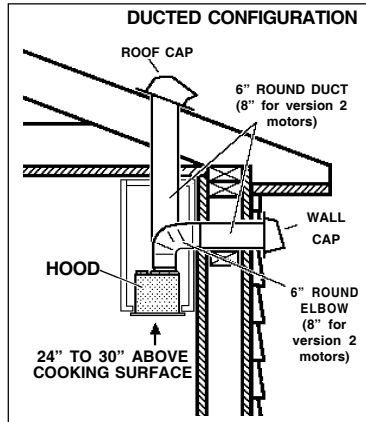
INSTALL THE DUCTWORK

NOTE: To reduce the risk of fire, use only metal ductwork.

1. Decide where the ductwork will run between the hood and the outside.
2. A straight, short duct run will allow the hood to perform most efficiently.
3. Long duct runs, elbows, and transitions will reduce the performance of the hood. Use as few of them as possible.
4. Use duct tape to seal the joints between ductwork sections.

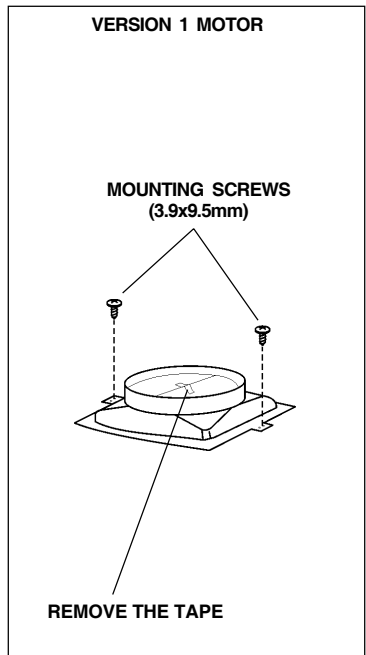
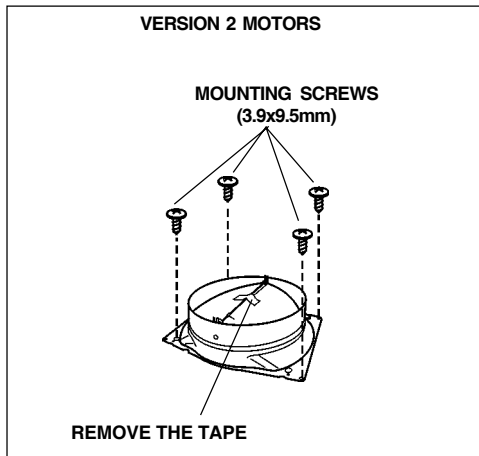
Ducted configuration:

Install a roof or wall cap. Connect 6" round metal ductwork (8" for version 2 motors) to cap and work back towards hood location.



INSTALL DUCT CONNECTOR

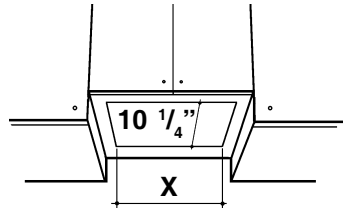
1. Fix the duct connector onto the hood; it must be fixed either by means of mounting screws (3.9x9.5mm).
2. Remove the tape located on the damper.



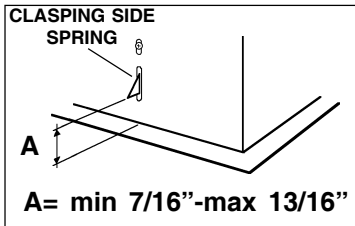
INSTALL THE HOOD

1. Cut a hole in the bottom of the cabinet in order to settle the hood.
2. To install the hood, adjust the position of the clamping side spring by means of the proper screws, according to the thickness of the bored panel to which it is going to be anchored.
3. Insert the hood in the cabinet and lock it by means of the side spring.
4. Use the holes which have already been made in the casing of the hood to definitively fix it by means of the 6 mounting screws (B) - 3.2x16mm.

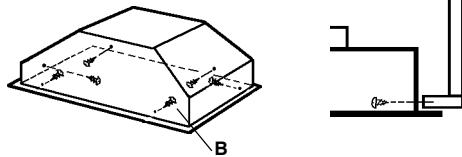
CUT A HOLE IN THE BOTTOM OF THE CABINET



X= 19-1/2" FOR VERSION L:20-1/2"
X= 26-5/8" FOR VERSION L:27-9/16"



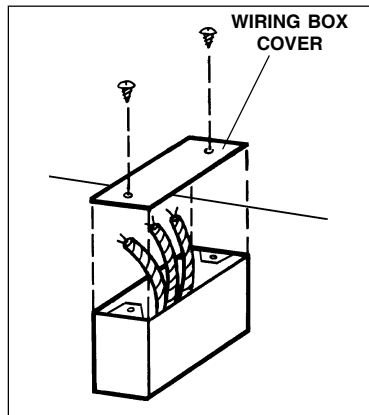
MOUNTING SCREWS
(3.2x16mm)



WIRING

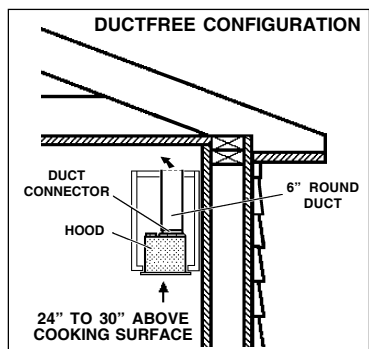
Note: This range hood must be properly grounded. The unit should be installed by a qualified electrician in accordance with all applicable national and local electrical codes.

1. Remove the **wiring box cover**. Remove a knockout from the wiring box.
2. Secure the conduit to the wiring box through a conduit connector.
3. Make electrical connections. Connect white to white, black to black and green to green.
4. Replace wiring box cover and screws. Make sure that wires are not pinched between cover and box.



CONNECT DUCTWORK

1. Use **6" round metal duct** (8" for version 2 motors) to connect the duct connector on the hood to the ductwork above.
2. Use **duct tape** to make all joints secure and air tight.
3. For **Ductfree configuration**: to the duct connector of the hood, connect a proper ductwork (6") that can convey the air to the upper part of the pensile cupboard.

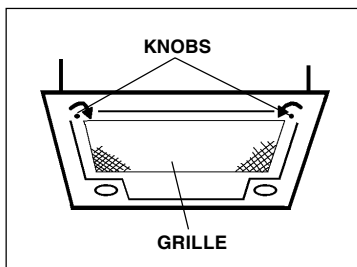


MAINTENANCE

Grease Filters

The **grease filters** should be cleaned frequently. Use a warm detergent solution. Grease filters are dishwasher safe.

To take off the **grease filters** first open the grille making the two knobs rotate towards outside; take off stop and make the filters slip toward the right while they get off the guides.



Ductfree Filters (ductfree configuration)

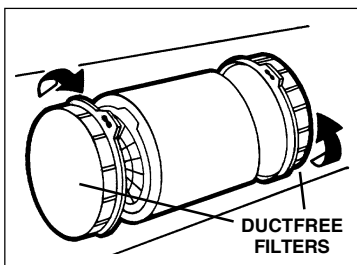
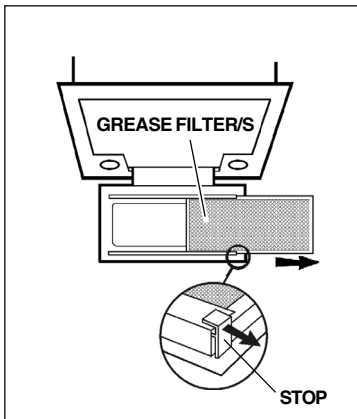
The ductfree filters should be changed every 6 months. Purchase a ductfree filter kit (ROUND FILTER - Cod. B03300498) from your dealer. Rotate the filters to remove and replace.

Hood Cleaning

Stainless steel is one of the easiest materials to keep clean. Occasional care will help preserve its fine appearance. Cleaning tips:

- Hot water with soap or detergent is all that is usually needed.
- Follow all cleaning by rinsing with clear water. Wipe dry with a clean, soft cloth to avoid water marks.
- For discolorations or deposits that persist, use a non-scratching household cleanser or stainless steel polishing powder with a little water and a soft cloth.
- For stubborn cases, use a plastic scouring pad or soft bristle brush together with cleanser and water. Rub lightly in direction of polishing lines or "grain" of the stainless finish. Avoid using too much pressure which may mar the surface.
- **DO NOT** allow deposits to remain for long periods of time.
- **DO NOT** use ordinary steel wool or steel brushes. Small bits of steel may adhere to the surface causing rust.
- **DO NOT** allow salt solutions, disinfectants, bleaches, or cleaning compounds to remain in contact with stainless steel for extended periods. Many of these compounds contain chemicals which may be harmful. Rinse with water after exposure and wipe dry with a clean cloth.

Painted surfaces should be cleaned with warm water and mild detergent only.



OPERATION

Controls

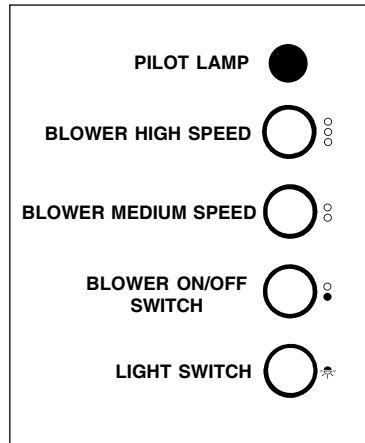
The **light switch** turns the halogen lights on and off.

The **blower on/off switch** turns the blower on to its lowest running speed. The blower must be turned on using this switch. Turn the blower off by pressing this switch a second time.

The **blower medium speed switch** changes the blower speed to medium. This switch works only if the blower is already running at low or high speed.

The **blower high speed switch** changes the blower speed to high. This switch works only if the blower is already running at low or medium speed.

The **pilot lamp** lights up whenever the blower is on.



HEAT SENTRY™

Your hood is equipped with a HEAT SENTRY™ thermostat. This thermostat is a device that will turn on or speed up the blower if it senses excessive heat above the cooking surface.

1) If blower is OFF - it turns blower ON to HIGH speed.

2) If blower is ON at a lower speed setting - it turns blower up to HIGH speed.

When the temperature level drops to normal, the blower will return to its original setting.

WARNING

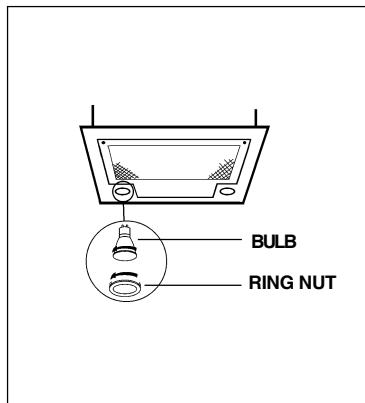
The HEAT SENTRY thermostat can start the blower even if the hood is turned OFF. When this occurs, it is impossible to turn the blower OFF with its switch. If you must stop the blower, do it from the main electrical panel.

HALOGEN BULBS

This range hood requires two halogen bulbs (Type MR16 bulb shielded, GU10, 120V, max 50W).

ALWAYS SWITCH OFF THE ELECTRICITY SUPPLY BEFORE CARRYING OUT ANY OPERATIONS ON THE APPLIANCE.

1. Loosen the ring nut by turning it counterclockwise.
2. Loosen the bulb by turning it counterclockwise; pull the bulb downwards to remove. **CAUTION: BULB MAY BE HOT!**
3. Replace with Type MR16 shielded, GU10, 120V, max 50W halogen bulb.



WARRANTY

ONE YEAR LIMITED WARRANTY FOR BEST PRODUCTS

Broan-NuTone LLC (Broan-NuTone) warrants to the original consumer purchaser of Best products that such products will be free from defects in materials or workmanship for a period of one year from the date of original purchase. THERE ARE NO OTHER WARRANTIES, EXPRESS OR IMPLIED, INCLUDING, BUT NOT LIMITED TO, IMPLIED WARRANTIES OR MERCHANTABILITY OR FITNESS FOR A PARTICULAR PURPOSE.

During this one-year period, Broan-NuTone will, at its option, repair or replace, without charge, any product or part which is found to be defective under normal use and service.

THIS WARRANTY DOES NOT EXTEND TO FLUORESCENT LAMP STARTERS, TUBES, HALOGEN AND INCANDESCENT BULBS, FUSE, FILTERS, DUCTS, ROOF CAPS, WALL CAPS AND OTHER ACCESSORIES FOR DUCTING. This warranty does not cover (a) normal maintenance and service or (b) any products or parts which have been subject to misuse, negligence, accident, improper maintenance or repair (other than by Broan-NuTone), faulty installation or installation contrary to recommended installation instructions.

The duration of any implied warranty is limited to the one-year period as specified for the express warranty. Some states do not allow limitation on how long an implied warranty lasts, so the above limitation may not apply to you.

BROAN-NUTONE'S OBLIGATION TO REPAIR OR REPLACE, AT BROAN-NUTONE'S OPTION, SHALL BE THE PURCHASER'S SOLE AND EXCLUSIVE REMEDY UNDER THIS WARRANTY. BROAN-NUTONE SHALL NOT BE LIABLE FOR INCIDENTAL, CONSEQUENTIAL OR SPECIAL DAMAGES ARISING OUT OF OR IN CONNECTION WITH PRODUCT USE OR PERFORMANCE. Some states do not allow the exclusion or limitation of incidental or consequential damages, so the above limitation or exclusion may not apply to you.

This warranty gives you specific legal rights, and you may also have other rights, which vary from state to state. This warranty supersedes all prior warranties.

To qualify for warranty service, you must (a) notify Broan-NuTone at the address stated below or telephone number stated below, (b) give the model number and part identification and (c) describe the nature of any defect in the product or part. At the time of requesting warranty service, you must present evidence of the original purchase date.

In USA - Best®, 926 W. State Street, Hartford, WI 53027 (800-558-1711)
In Canada - Best®, 550 Lemire Blvd., Drummondville, QC J2C 7W9 (866-737-7770)

www.BestRangeHoods.com

LISEZ ET CONSERVEZ CES INSTRUCTIONS



POUR USAGE DOMESTIQUE SEULEMENT



AVERTISSEMENT

AFIN DE RÉDUIRE LES RISQUES D'INCENDIE, D'ÉLECTROCUTION OU DE BLESSURES CORPORELLES, SUIVEZ LES INSTRUCTIONS SUIVANTES :

1. N'utilisez cet appareil que de la façon prévue par le fabricant. Pour d'autres renseignements, contactez le fabricant à l'adresse ou au numéro de téléphone indiqués dans la garantie.
2. Avant de nettoyer ou de réparer l'appareil, coupez le courant au panneau d'alimentation et verrouillez-en l'accès afin d'éviter sa remise en marche accidentelle. Si le panneau d'alimentation ne peut être verrouillé, y fixer un indicateur voyant, par exemple une étiquette de couleur vive.
3. Les travaux d'installation et de raccordement électrique doivent être effectués par du personnel qualifié en respectant les normes et règlements en vigueur, y compris les normes et codes de bâtiment en matière de prévention d'incendie.
4. Une circulation d'air efficace est requise pour assurer la combustion et l'évacuation complète des gaz par la cheminée des équipements à combustion pour prévenir les retours de cheminée. Conformez-vous aux instructions et aux standards de sécurité des fabricants d'équipement de chauffage, tels qu'ils sont publiés par la National Fire Protection Association (NFPA) et l'American Society for Heating, Refrigeration and Air Conditioning Engineers (ASHRAE) ainsi que les responsables des codes locaux.
5. Lorsque vous coupez ou percez un mur ou un plafond, prenez garde de ne pas endommager les fils électriques ou autre installation qui pourraient y être dissimulés.
6. Les conduits de l'installation doivent toujours évacuer l'air à l'extérieur.
7. N'utilisez pas d'autre commande de régime à semi-conducteurs conjointement avec cet appareil.
8. Pour réduire les risques d'incendie, n'utilisez que des conduits en métal.
9. Cet appareil doit être relié à une mise à la terre.

AFIN DE RÉDUIRE LE RISQUE DE FEU DE CUISINIÈRE :

- A. Ne laissez jamais les appareils de cuisson sans surveillance lorsqu'ils sont réglés à feu vif. Les débordements engendrent de la fumée et des déversements grasseux pouvant s'enflammer. Chauffez l'huile lentement, à feu doux ou moyen.
- B. Mettez toujours la hotte en marche lorsque vous cuisinez à feu vif ou que vous cuisinez des mets flambés (par ex. : crêpes Suzette, cerises jubilé, steak au poivre flambé).
- C. Nettoyez régulièrement la roue du ventilateur. Ne laissez pas la graisse s'accumuler sur le ventilateur ou les filtres.
- D. Utilisez le bon format de casserole. Servez-vous toujours d'ustensiles de cuisson appropriés à la dimension de la surface chauffante.

AVERTISSEMENT

AFIN D'ÉVITER TOUS RISQUES DE BLESSURE LORS D'UN FEU DE CUISINIÈRE, OBSERVEZ LES INSTRUCTIONS SUIVANTES* :

1. ÉTOUFFEZ LES FLAMMES à l'aide d'un couvercle hermétique, une plaque à biscuits ou un plateau en métal, puis éteignez le brûleur. ATTENTION DE NE PAS VOUS BRÛLER. Si les flammes ne s'éteignent pas immédiatement, SORTEZ ET APPELEZ LES POMPIERS.
 2. NE PRENEZ JAMAIS EN MAIN UNE POËLE OU UNE CASSEROLE QUI A PRIS FEU, vous pourriez vous brûler.
 3. N'UTILISEZ PAS D'EAU, ni de torchons ou de serviettes mouillés; vous provoqueriez une violente explosion de vapeur.
 4. Utilisez un extincteur SEULEMENT LORSQUE :
 - A. Vous savez qu'il s'agit d'un extincteur de classe ABC et que vous en connaissez le fonctionnement.
 - B. L'incendie est petit et limité à l'endroit où il a débuté.
 - C. Les pompiers ont été avisés.
 - D. Vous pouvez combattre l'incendie en ayant accès à une sortie de secours.
- * Tirées du *Kitchen Fire Safety Tips* publié par la NFPA.

ATTENTION

1. Pour usage intérieur seulement.
2. Afin de réduire les risques d'incendie, assurez-vous d'évacuer l'air à l'extérieur. Ne pas évacuer l'air dans des espaces clos comme l'intérieur des murs ou plafonds ou dans le grenier, vide sanitaire ou garage.
3. Faites attention lorsque vous utilisez des agents nettoyants ou des détergents.
4. Évitez d'utiliser des produits alimentaires pouvant produire des flammes sous la hotte.
5. N'utilisez cet appareil que pour une ventilation générale. Ne l'utilisez pas pour évacuer des matières ou des vapeurs dangereuses ou explosives.
6. Pour éviter de causer des dommages au moteur et de rendre les rotors bruyants et/ou non équilibrés, gardez votre appareil à l'abri des poussières de gypse et de construction ou de rénovation, etc.
7. Le moteur de votre ventilateur possède une protection thermique qui l'éteindra automatiquement s'il devient surchauffé. Il redémarrera automatiquement une fois refroidi. Si le moteur continue à s'éteindre et à se remettre en marche, faites vérifier votre hotte.
8. Pour une meilleure évacuation des odeurs de cuisson, le bas de la hotte devrait être à un minimum de 24 po et à un maximum de 30 po au-dessus de la surface de cuisson.
9. Deux installateurs sont recommandés lors de l'installation étant donné la grande dimension et le poids de cette hotte.
10. Ce produit est doté d'un thermostat pouvant activer automatiquement le ventilateur. Pour réduire le risque de blessures et éviter l'activation accidentelle, coupez le courant depuis le panneau d'alimentation électrique et verrouillez-le ou apposez sur celui-ci une étiquette de couleur vive.
11. Utilisez uniquement avec un ensemble de cordon d'alimentation approuvé.
12. Nous vous recommandons de lire l'étiquette indiquant les caractéristiques de votre appareil pour de plus amples renseignements et exigences.

PRÉPARATION DE LA HOTTE

Retirer la hotte de l'emballage, puis vérifier le contenu.

Les éléments suivants doivent être inclus :

1 - Hotte

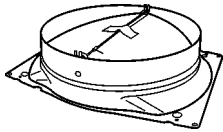
1 - Sac de pièces (B080810286) comprenant :

6 - Vis de montage (3,2 mm x 16 mm à tête ronde)

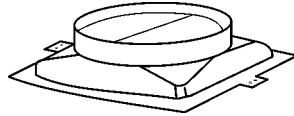
4 - Vis de montage (3,9 mm x 9,5 mm à tête ronde)

1 - Raccord de conduit (avec clapet antirefoulement)

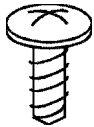
1 - Directives d'installation



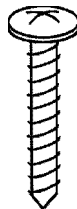
RACCORD DE CONDUIT
(version 2 moteurs)



RACCORD DE CONDUIT
(version 1 moteur)



4 VIS DE MONTAGE
(3,9 mm x 9,5 mm à tête ronde)



6 VIS DE MONTAGE
(3,2 mm x 16 mm à tête ronde)

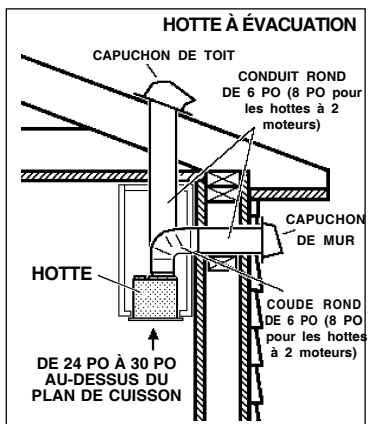
POSE DU CONDUIT

⚠ ATTENTION : Pour réduire le risque d'incendie, n'utiliser que des conduits en métal.

1. Planifier la pose du conduit en déterminant son tracé entre la hotte et l'extérieur de la maison.
2. Un tracé droit et court permet à la hotte d'être plus efficace.
3. Des conduits longs, des coudes et des transitions réduisent l'efficacité de la hotte. En utiliser le moins possible.
4. Sceller hermétiquement les joints à l'aide de ruban à conduits.

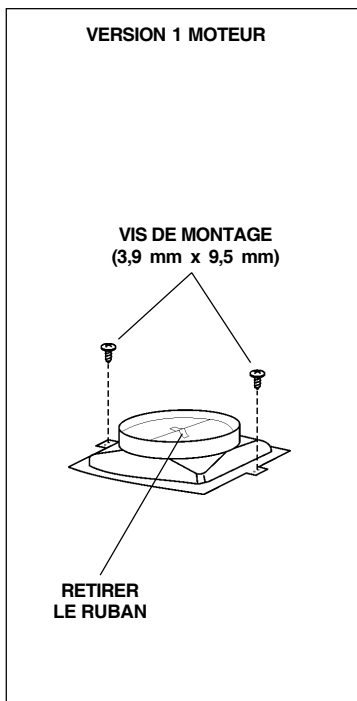
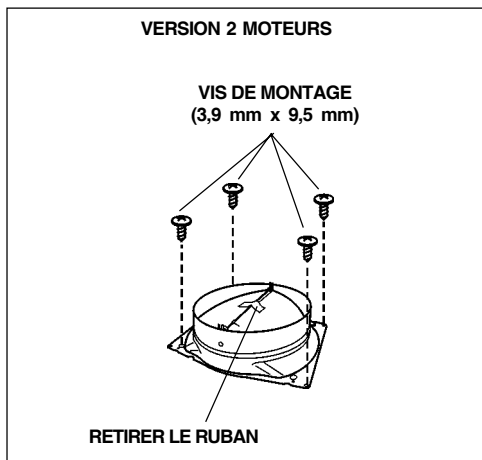
Pour les hottes à évacuation :

Installer un capuchon de toit ou de mur. Relier le conduit rond en métal de 6 po (8 po pour la version à deux moteurs) au capuchon, puis acheminer le conduit jusqu'à l'emplacement de votre hotte.



INSTALLATION DU RACCORD DE CONDUIT

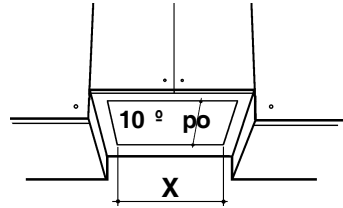
1. Installer le raccord de conduit à la hotte à l'aide des vis de montage (3,9 mm x 9,5 mm).
2. Retirer le ruban situé sur le clapet.



INSTALLATION DE LA HOTTE

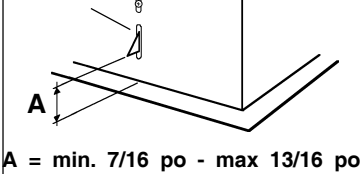
1. Découper un trou dans la base de l'armoire pour y insérer la hotte.
2. Pour installer la hotte, régler la position du ressort de fixation latéral à l'aide des vis appropriées en fonction de l'épaisseur du panneau troué sur lequel il sera ancré.
3. Insérer la hotte dans la base de l'armoire et la fixer à l'aide du ressort latéral.
4. Visser les 6 vis de montage (B) (-3,2 mm x 16 mm) dans les trous prépercés du boîtier de la hotte pour la fixer solidement.

DÉCOUPER UN TROU
DANS LA BASE DE L'ARMOIRE



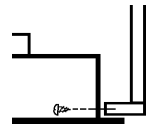
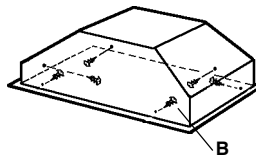
X = 19 1/2 po pour la version L : 20 1/2 po
X = 26 5/8 po pour la version L : 27 9/16 po

RESSORT DE
FIXATION LATÉRAL



A = min. 7/16 po - max 13/16 po

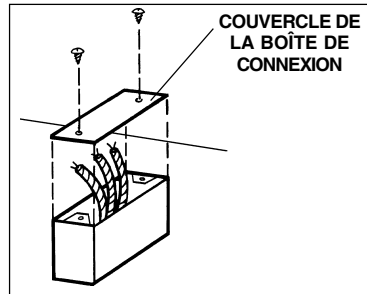
VIS DE MONTAGE
(3,2 mm x 16 mm)



INSTALLATION ÉLECTRIQUE

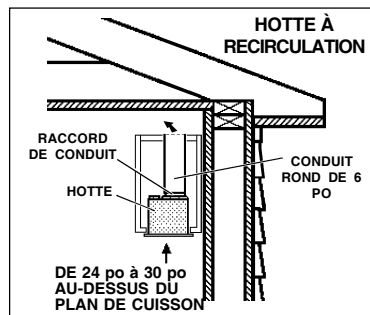
NOTE : Cette hotte de cuisinière doit être correctement mise à la terre. Les travaux d'électricité doivent être effectués par un électricien qualifié en vertu des normes et des codes nationaux et locaux en vigueur.

1. Retirer le couvercle de la **boîte de connexion électrique**. Défoncer une ouverture préamorcée de la boîte de connexion électrique.
2. Fixer le conduit à la boîte de connexion à l'aide d'un raccord de conduit.
3. Effectuer le raccordement électrique. Relier le fil BLANC au BLANC, le fil NOIR au NOIR et le fil VERT au VERT.
4. Remettre le couvercle de la boîte de connexion et les vis. Vous assurer que les fils ne soient pas coincés entre le couvercle et la boîte.



RACCORDEMENT DU CONDUIT

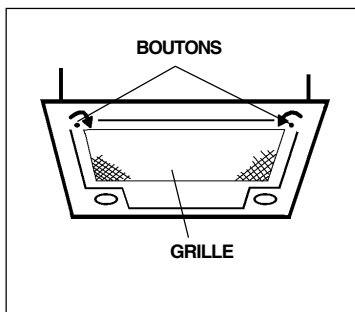
1. Utiliser un conduit rond en métal de 6 po (8 po pour les versions à 2 moteurs) pour relier le raccord de conduit sur la hotte au conduit au-dessus.
2. Sceller hermétiquement les joints à l'aide de **ruban à conduits**.
3. Pour les **hottes à recirculation** : relier au raccord de conduit de votre hotte un conduit approprié (6 po) qui achemine l'air jusqu'au sommet de l'armoire.



ENTRETIEN

Filtres à graisses

Les **filtres à graisses** doivent être nettoyés fréquemment. Utiliser une solution d'eau chaude additionnée de détergent. Les filtres à graisses peuvent être lavés au lave-vaisselle. Pour retirer les **filtres à graisses**, ouvrir la grille en tournant les deux boutons vers l'extérieur; enlever l'arrêt, puis faire glisser les filtres vers la droite en les faisant sortir des guides.



Filtres à charbon

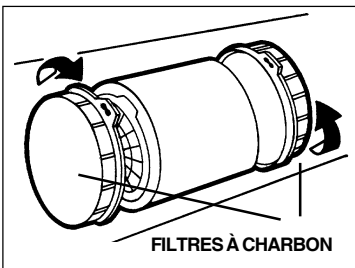
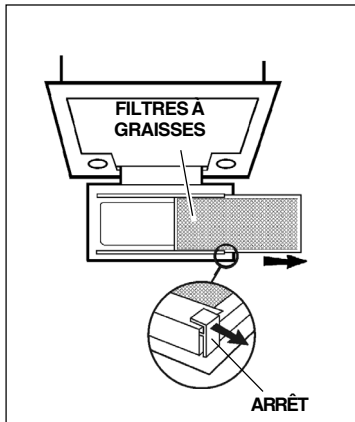
Les filtres à charbon doivent être remplacés tous les six mois. Acheter un filtre à charbon (FILTRE ROND - Code B03300498) chez votre détaillant. Faire tourner les filtres pour les enlever et les remplacer.

Nettoyage de votre hotte

L'acier inoxydable est un des matériaux les plus faciles à nettoyer. Un entretien occasionnel contribuera à préserver sa belle apparence.

Conseils de nettoyage :

1. De l'eau chaude et du savon ou un détergent est tout ce qui est normalement nécessaire.
2. Après le nettoyage, rincer toujours à l'eau claire. Essuyer la surface avec un chiffon propre et doux pour éviter les stries.
3. Pour les ternissures ou les dépôts tenaces, utiliser un nettoyant domestique non abrasif ou une poudre à polir l'acier inoxydable avec un peu d'eau et un chiffon doux.
4. Pour la saleté rebelle, utiliser un tampon à récurer en plastique ou une brosse à poils doux avec un nettoyant et de l'eau. Frotter doucement dans le sens des lignes de polissage ou du « grain » de l'acier. Éviter de trop appuyer au risque de gâcher la surface.
5. **NE PAS LAISSER** les dépôts s'accumuler trop longtemps.
6. **NE PAS UTILISER** une laine d'acier ordinaire ou une brosse d'acier. De petites particules d'acier risqueraient d'adhérer à la surface et de la faire rouiller.
7. **NE PAS LAISSER** longtemps en contact avec l'acier inoxydable une solution saline, un désinfectant, de l'eau de Javel ou tout autre produit détachant. Bon nombre de ces nettoyants contiennent des produits chimiques pouvant en altérer la surface. Après l'utilisation du nettoyant, rincer la surface à l'eau, puis l'essuyer avec un chiffon propre.



Nettoyer les surfaces peintes uniquement à l'eau tiède avec un détergent doux.

FONCTIONNEMENT

Commandes

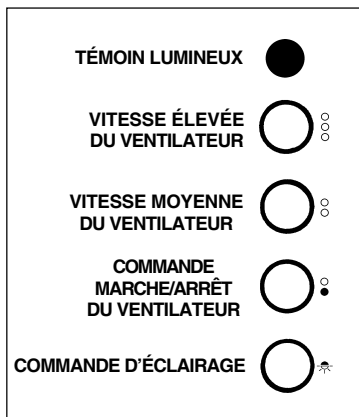
La **commande d'éclairage** allume et éteint les lampes halogènes.

La **commande Marche/Arrêt du ventilateur** active le ventilateur à la vitesse la plus basse. Le ventilateur doit être mis en marche par cette commande. Pour l'arrêter, appuyer de nouveau sur celle-ci.

La **commande vitesse moyenne du ventilateur** change la vitesse du ventilateur à la vitesse moyenne. Cette commande fonctionne seulement si le ventilateur est déjà à vitesse basse ou élevée.

La **commande vitesse élevée du ventilateur** change la vitesse du ventilateur à la vitesse élevée. Ce bouton fonctionne seulement si le ventilateur est déjà à vitesse basse ou moyenne.

Le **témoin lumineux** s'allume quand le ventilateur est en marche.



DÉTECTEUR DE CHALEUR HEAT SENTRY^{MC}

Votre hotte est munie d'un détecteur de chaleur HEAT SENTRY. Il s'agit d'un dispositif qui actionnera ou augmentera la vitesse du ventilateur s'il détecte une chaleur excessive au-dessus de la surface de cuisson.

- 1) Si le ventilateur n'est PAS EN MARCHÉ, il actionnera le ventilateur à haute vitesse.
- 2) Si le ventilateur est EN MARCHÉ à basse vitesse, le ventilateur passera à haute vitesse.

Lorsque la température revient à la normale, le ventilateur retourne à sa vitesse d'origine.

⚠ AVERTISSEMENT : le détecteur de chaleur HEAT SENTRY^{MC} peut activer le ventilateur même si la hotte est arrêtée. Si tel est le cas, il est impossible de l'arrêter à l'aide de l'interrupteur. Si vous devez arrêter le ventilateur, le faire depuis le panneau électrique principal.

AMPOULES HALOGÈNES

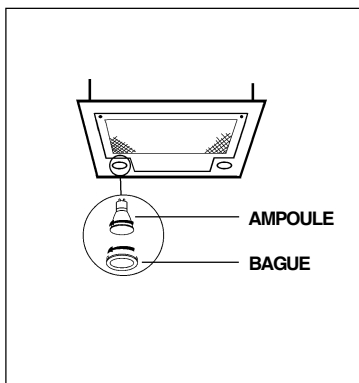
Ce modèle de hotte requiert (2) ampoules halogènes (type MR16 avec écran, GU10, 120 V, max 50 W).

⚠ AVERTISSEMENT : avant de procéder à quelconque opération, débranchez l'appareil.

1. Dévisser la bague dans le sens contraire des aiguilles d'une montre.
2. Dévisser l'ampoule dans le sens contraire des aiguilles d'une montre; retirer l'ampoule en la tirant vers le bas.

⚠ ATTENTION : l'ampoule peut être chaude!

3. Remplacer par une ampoule halogène de mêmes caractéristiques (type MR16 avec écran, GU10, 120 V, max 50 W).



GARANTIE

GARANTIE LIMITÉE DE UN AN DE BEST

Broan-NuTone LLC (Broan-NuTone) garantit à l'acheteur original que les produits BEST vendus en vertu de la présente sont libres de tout vice de matériau ou de fabrication pour une période de un an à compter de la date d'achat originale. CETTE GARANTIE NE COMPORTE AUCUNE AUTRE GARANTIE, EXPRESSE OU TACITE, Y COMPRIS, MAIS SANS S'Y LIMITER, LES GARANTIES TACITES DE VALEUR MARCHANDE OU D'ADAPTATION À UN USAGE PARTICULIER.

Durant cette période de un an, Broan-NuTone réparera ou remplacera gratuitement, à sa discrétion, tout produit ou toute pièce jugés défectueux dans des conditions normales d'utilisation.

CETTE GARANTIE NE S'APPLIQUE PAS AUX TUBES FLUORESCENTS ET AUX STARTERS, NI AUX AMPOULES HALOGÈNES OU INCANDESCENTES, FUSIBLE, FILTRES, CONDUITES, CHAPEAUX DE TOIT, CHAPEAUX DE MUR ET AUTRES ACCESSOIRES POUR CANALISATIONS. Cette garantie ne couvre pas (a) les frais d'entretien ou de service normaux ni (b) tout produit ou toute pièce soumis à une utilisation inadéquate, une négligence, un accident, un entretien ou une réparation inadéquats (autres que ceux effectués par Broan-NuTone), une mauvaise installation ou une installation contraire aux instructions recommandées.

La durée de toute garantie tacite est limitée à la période de un an stipulée pour la garantie expresse. Certains États ou provinces ne permettent pas de limites quant à la durée d'une garantie implicite. La restriction susmentionnée peut donc ne pas s'appliquer dans votre cas.

BROAN-NUTONE'S L'OBLIGATION POUR BROAN-NUTONE DE RÉPARER OU DE REMPLACER LE PRODUIT, À SA DISCRÉTION, CONSTITUE LE SEUL RECOURS DE L'ACHETEUR EN VERTU DE CETTE GARANTIE. BROAN-NUTONE NE PEUT PAS ÊTRE TENUE RESPONSABLE DE TOUT DOMMAGE INDIRECT, CONSÉCUTIF OU ACCESSOIRE DÉCOULANT DE L'UTILISATION OU DU RENDEMENT DU PRODUIT. Certains États ou provinces interdisent l'exclusion ou la restriction des dommages indirects ou consécutifs. La restriction susmentionnée peut donc ne pas s'appliquer dans votre cas.

La présente garantie vous confère des droits spécifiques reconnus par la loi. D'autres droits pourraient également vous être accordés selon la législation locale en vigueur. La présente garantie remplace toutes les autres garanties précédentes.

Pour le service sous garantie, vous devez (a) aviser Broan-NuTone à l'une des adresses ou numéros de téléphone mentionnés ci-dessous, (b) indiquer le numéro de modèle et d'identification de la pièce et (c) décrire la défektivité du produit ou de la pièce. Lors d'une réclamation, vous devez présenter une preuve de la date d'achat originale.

In USA - Best®, 926 W. State Street, Hartford, WI 53027 (800-558-1711)
In Canada - Best®, 550 Lemire Blvd., Drummondville, QC J2C 7W9
(866-737-7770)

www.BestRangeHoods.com

LEA Y CONSERVE ESTAS INSTRUCCIONES

 **INDICADO PARA EL USO EN COCINAS DOMESTICAS** 

  **ADVERTENCIA**

PARA EVITAR EL RIESGO DE INCENDIO, CORTOCIRCUITO O DAÑO PARA LAS PERSONAS, OBSERVE ATENTAMENTE LAS SIGUIENTES NORMAS:

1. Use esta unidad solamente de la manera indicada por el fabricante; si tiene dudas, póngase en contacto con éste a la dirección o teléfono indicados en la garantía.
2. Antes de hacer una revisión o de limpiar la unidad, desconéctela de la red para evitar que se encienda de manera accidental. En el caso de que éste no pueda ser desactivado, se indicará nel panel de servicio.
3. El montaje y la instalación eléctrica debe hacerlos un técnico especializado siguiendo las normas estándar e incluyendo aquellas de construcción anti incendio.
4. Necesita aire suficiente para una apropiada combustión y escape de gases a través del tubo del depósito de quema de combustible. Para evitar que el humo aspirado vuelva a la cocina, siga las directivas del fabricante y las normas estándar de seguridad así como las normas publicadas por la Asociación de prevención de incendios (NFPA) y la Sociedad americana de especialistas en cale-facción, refrigeración y aire acondicionado y además las normas de las autoridades locales.
5. Hacer un corte o un taladro en la pared o en el techo no debe dañar la instalación eléctrica u otras instalaciones ocultas en la pared.
6. Los conductos ventiladores deben siempre desalojar al exterior.
7. No use esta unidad con dispositivo de control de la velocidad a estado sólido.
8. Para evitar el riesgo de incendio, use solamente conductos de metal.
9. Esta unidad tiene que ser conectada a tierra.

PARA EVITAR EL RIESGO DE FUEGO POR ALTO NIVEL DE GRASA:

- A. Nunca abandone los quemadores con el fuego alto. La cocción causa humo y restos de grasa que pueden arder. Caliente el aceite a fuego medio o bajo.
- B. Encienda siempre la campana cuando cocine a fuego alto o cuando cocine alimentos fácilmente inflamables. (por ejemplo Crepes Suzette, Cerezas Jubilee, Ternera flambeada con granos de pimienta).
- C. Limpie con frecuencia los ventiladores. No se debe acumular grasa en el ventilador o en el filtro.
- D. Usa el tamañ de cazuela apropiado. Use siempre utensilios de cocina de tamaño y material adecuados.

  **ADVERTENCIA**

PARA EVITAR EL RIESGO DE DAÑOS A PERSONAS EN CASO DE FUEGO POR ALTO NIVEL DE GRASA, TENGA EN CUENTA LO SIGUIENTE:*

1. SOFOQUE LA LLAMA con una tapadera apropiada, una bandeja metálica ó un utensilio de cocina que pueda cubrirla, despues, apague el quemador. ACTÚE CON PRECAUCIÓN PARA EVITAR QUEMADURAS. Si la llama no se extingue inmediatamente, SALGA Y LLAME A LOS BOMBEROS.
2. NUNCA COJA UNA SARTEN EN LLAMAS, porque corre el riesgo de quemarse.
3. NO USE AGUA ni paños o toallas húmidas porque puede provocarse una violenta humareda.
4. Use un extintor SOLAMENTE si:
 - A. Posee un extintor de clase ABC y sabe perfectamente cómo usarlo.
 - B. El fuego es pequeño y está controlado en el mismo sitio en que empezó.
 - C. Ha llamado con anterioridad a los bomberos.
 - D. Puede combatir el fuego retrocediendo hacia la salida.

* Basado en "Seguridad antifuego en la cocina" publicado por NFPA.



ADVERTENCIA

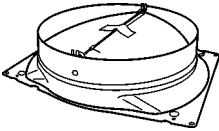
1. Para uso en interiores.
2. Para reducir el riesgo de incendios y para evacuar correctamente los humos, asegurarse de haber realizado una conducción del aire hasta el exterior. No expulsar los humos en espacios cerrados por paredes o techos, áticos, espacios angostos o garajes.
3. Prestar la máxima atención al utilizar productos de limpieza o detergentes.
4. Evitar el uso de productos alimentarios que puedan inflamarse bajo la campana.
5. Sólo para ventilación total. No use gases de escape peligrosos o materiales y vapores explosivos.
6. Para evitar daños en el funcionamiento del motor e impulsores ruidosos y/o desequilibrados, mantenga alejados de la unidad de encendido pulverizadores en seco o polvo.
7. El motor tiene un nivel de sobrecarga térmica que apaga automáticamente el motor cuando se ha recalentado excesivamente. El motor se pone de nuevo en funcionamiento cuando la temperatura baja. Si el motor comienza a encenderse y a apagarse, deberá hacer una revisión de éste.
8. Para limpiar mejor las impurezas al cocinar, la distancia entre la parte inferior de la campana y la zona de cocción debe ser mínimo 24" - máximo 30".
9. Debido a su gran tamaño y peso, se recomienda su montaje por parte de dos técnicos especializados.
10. Este producto está dotado de un termostato que pone en marcha automáticamente el motor. Para reducir el riesgo de daños y evitar que se encienda accidentalmente, colocar el interruptor del panel de servicio en la posición OFF y bloquear el panel de servicio o colocar una advertencia externa como por ejemplo un letrero o una chapita.
11. Use solamente con juego de conexión para alimentación aprobado.
12. Se recomienda leer la placa de características del producto para ulterior información.

PREPARE LA CAMPANA

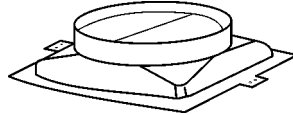
Sacar la campana de l'embalaje y controlar el contenido.

Recivireis:

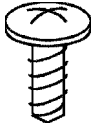
- 1 - Campana
- 1 - Bolsita (B080810286) con:
 - 6 - Tornillos de montaje (3,2 x 16mm cabeza redonda)
 - 4 - Tornillos de montaje (3,9 x 9,5mm cabeza redonda)
- 1 - Casquillo (+ Válvula de no retorno)
- 1 - Instrucciones para instalación



CASQUILLO
(VERSION 2 MOTORES)



COLLIER D'EVACUATION
(VERSION 1 MOTOR)



4 TORNILLOS DE MONTAJE
(3,9 x 9,5mm cabeza
redonda)

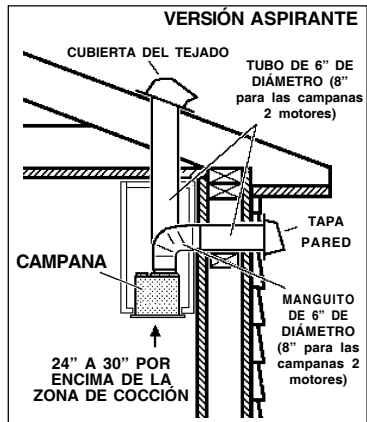


6 TORNILLOS DE MONTAJE
(3,2 x 16mm cabeza
redonda)

INSTALACION DEL TUBO DE EXTRACCION

NOTA: para evitar el riesgo de incendio, use **solamente material de metal.**

1. Decida donde va a colocar el tubo de extracción entre la campana y la parte exterior.
2. Un recorrido de tubo corto y recto permitirá a la campana funcionar de manera más eficaz.
3. Los recorridos largos de tubo, codos y manguitos impiden el buen funcionamiento de la campana. Use el menor número de ellos posible.
4. Use una cinta para precintarse las juntas entre las partes del entubado.

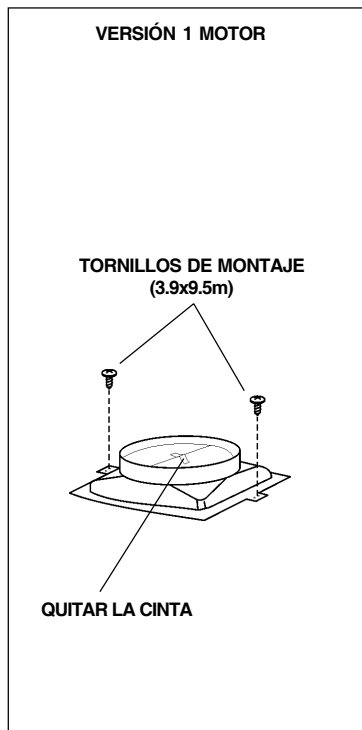
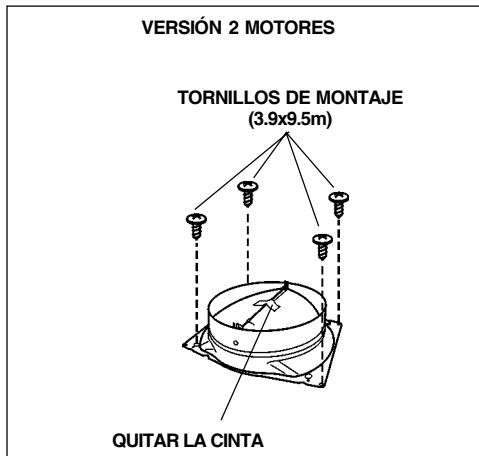


Versión aspirante:

Instale una cubierta ó una tapa. Una el tubo de metal de 6" de diámetro (8" para las campanas de 2 motores) a la cubierta y retroceda hasta la posición de la campana.

INSTALACION DEL CASQUILLO DE UNION CON EL TUBO

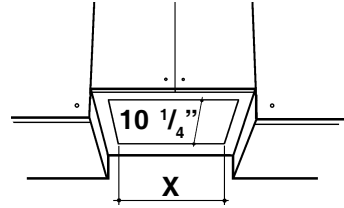
1. Sujete el casquillo de unión en la parte superior de la campana; el casquillo de unión se asegura por medio de tornillos de montaje (3.9x9.5mm).
2. Quitar la cinta adhesiva en la válvula.



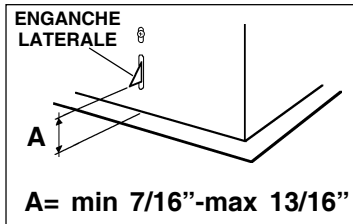
INSTALACION DE LA CAMPANA

1. Hacer en la base del armario la abertura necesaria para acoger el aparato.
2. Para instalar la campana, regular la posición del enganche laterale por medio de los tornillos destinados a este propósito, considerando el espesor del panel horadado sobre el que se fijará el aparato.
3. Introducir la campana en la abertura predispuesta en el armario hasta bloquearlo por medio del enganche laterale.
4. Utilizar los agujeros predispuestos en el armazón de la campana para fijarla definitivamente por medio de 6 tornillos de montaje (B) - 3.2x16mm).

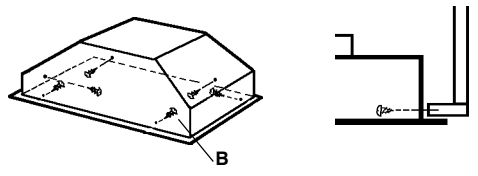
HACER LA ABERTURA EN LA BASE DEL ARMARIO



X= 19-1/2" para la versión L:20-1/2"
X= 26-5/8" para la versión L:27-9/16"



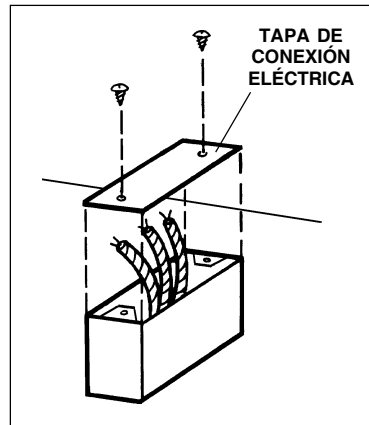
TORNILLOS DE MONTAJE
(3.2x16mm)



INSTALACION ELECTRICA

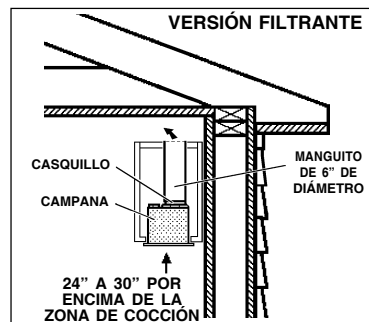
Nota: Este tipo de campana tiene que ser conectada a tierra cuidadosamente. La unidad debe instalarla un técnico electricista siguiendo las normas nacionales y locales.

1. Quite la tapa de la caja de conexión eléctrica y saque un cable.
2. Fije el "conduit" a la caja de conexión por medio de un conector idóneo para el "conduit".
3. Haga las conexiones eléctricas, una blanco con blanco, negro con negro y verde con verde.
4. Vuelva a conectar la tapa de la caja de conexión. Compruebe que los cables no queden pillados.



ENTUBADO DE CANALIZACION

1. Use un tubo de metal de 6" de diámetro (8" para las campanas 2 motores) unir el casquillo que se encuentra encima de la campana al tubo de extracción situado arriba.
2. Use cinta para ajustar todas las juntas y que quede hermético.
3. Para la versión filtrante: unir al casquillo un tubo adecuado (6") para absorber el aire y conducirlo hasta la parte superior del armario.

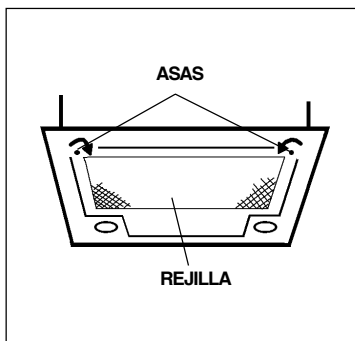


MANTENIMIENTO

Filtros anti-grasa

Los **filtros anti-grasa** deben limpiarse a menudo. Use un detergente que no sea fuerte. Los filtros antigrasa se pueden meter en el lavavajillas.

Para extraer los **filtros anti-grasa** abrir primero la rejilla girando las dos asas hacia el exterior; quite el seguro y desplace hacia la derecha el filtro extrayéndolo de las guideras.



Filtros para la versión filtrante

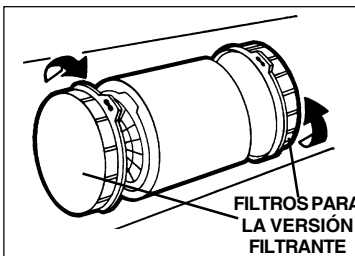
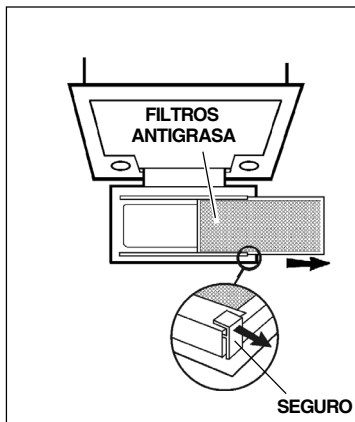
Los filtros deben cambiarse cada seis meses. Compre un juego de filtros (FILTROS REDONDO - Cod. B03300498) a su proveedor. Gire los filtros para desenroscarlos y cambiarlos.

Limpieza de la campana

El acero inoxidable es uno de los materiales más fáciles de limpiar, pero sería aconsejable un especial cuidado en su uso para mantenerla en buen estado. La campana se puede limpiar de las siguientes maneras:

- Agua caliente con jabón o detergente es la mejor manera para limpiarla.
- Aclárela con agua corriente, séquela con un paño suave y limpio para evitar las huellas que deja el agua.
- Para las manchas o restos de grasa que persistan, use un producto químico doméstico que no raye ó un limpiador para acero inoxidable con poca agua y un paño suave.
- Si las manchas persisten, use un estropajo y un cepillo de cerdas suaves con un producto limpiador y agua. Frote suavemente en el sentido del pulido o de las "vetas" del remate del inoxidable. No apriete demasiado porque podría dañar la superficie.
- No deje que las manchas se acumulen durante mucho tiempo.
- No use utensilios o cepillos de acero. Pequeñas partículas de acero pueden adherirse y oxidarse.
- No use soluciones salinas, desinfectantes, lejías, o productos de limpieza que permanezcan en contacto con el acero inoxidable durante largos periodos de tiempo. Muchos de estos productos contienen componentes químicos que podrían resultar nocivos. Aclare con agua y seque con un paño limpio.

Las superficies lacadas deben limpiarse solamente con agua tibia y detergente no muy fuerte.



FUNCIONAMIENTO

Mandos

El **interruptor luminoso** enciende y apaga las lámparas halógenas.

El **mando de encendido, apagado** del aspirador pone el aspirador a una velocidad mínima. El aspirador se enciende usando este mando. Si quiere apagar el aspirador, tiene que accionar este mando otra vez.

El **mando de velocidad mínima** pone el aspirador a una velocidad media. Este funciona solamente si el aspirador está ya funcionando a velocidad máxima o mínima.

El **mando de velocidad máxima** pone el aspirador a una velocidad máxima. Este mando funciona solamente si el aspirador está funcionando a velocidad media ó mínima.

El **piloto** se enciende cuando está funcionando el aspirador.



HEAT SENTRYMR

Su campana esta equipada con termostato HEAT SENTRYMR. Este termostato tiene un mecanismo que se encenderá o acelerará el ventilador si se detecta un calor excesivo encima de la cocina.

- 1) Si el ventilador esta apagando - el se prenderá a una velocidad máxima.
- 2) Si el ventilador esta encendido a una velocidad minima - el se prenderá a una velocidad máxima.

Cuando la temperatura disminuye a un nivel normal, el ventilador vuelve a la función de origen.

AVERTENCIA

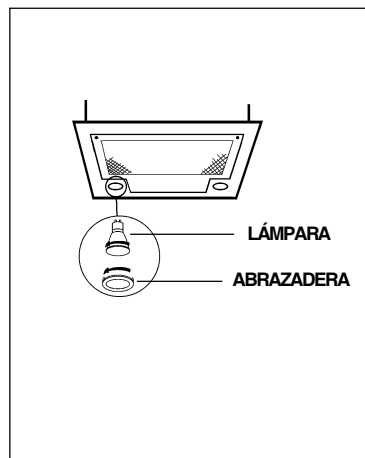
El HEAT SENTRYmr termostato puede comenzar a funcionar al igual si la campana esta parada. En este caso, es imposible parar el ventilador con los interruptores. Si usted para la campana, halago a partir del panel eléctrico principal.

LAMPARAS HALOGENAS

Este tipo de campana necesita 2 lámparas halógenas (Tipo MR16 con pantalla, GU10, 120V, max 50W).

ANTES DE PROCEDER A CUALQUIER OPERACIÓN, ES NECESARIO DESCONNECTAR EL APARATO.

1. Destornillar la abrazadera en sentido antihorario.
2. Destornillar la lámpara en sentido antihorario; empuje la lámpara y tire hacia abajo. **ATENCIÓN: LAS LÁMPARAS PUEDEN ESTAR CALIENTES.**
3. Sustituir con lámparas del tipo (Tipo MR16 con pantalla, GU10, 120V, max 50W).



GARANTIA

GARANTIA BEST POR UN AÑO

Broan-NuTone LLC (Broan-NuTone) garantiza al consumidor-comprador de sus productos BEST que dichos productos no tendrán defectos en los materiales o fabricación, durante un periodo de un año a partir de la fecha de la compra. NO HAY OTRO TIPO DE GARANTIAS QUE INCLUYAN O SE LIMITEN EXCLUSIVAMENTE A GARANTIAS IMPLICITAS O DE CAPACIDAD COMERCIAL O CONVENIENCIA PARA UN PROPOSITO ESPECIFICO.

Durante el periodo de un año, Broan-NuTone, si lo estima conveniente, reparará o reemplazará sin gastos para el usuario cualquier producto o parte de éste que sea defectuosos habiéndose usado correctamente.

ESTA GARANTIA NO CUBRE: ESTARTER DE NEON, NEON, LÁMPARAS HALÓGENAS, LÁMPARAS DE ILUMINACIÓN, FUSIBLE, FILTROS, CONDUCTOS, TAPAS DE TECHO, TAPAS DE PARED Y OTROS ACCESORIOS PARA LOS CONDUCTOS. Tampoco cubre el mantenimiento ni los productos o partes de éstos que hayan sido usados de forma incorrecta, con negligencia, rotos accidentalmente o por una incorrecta manutención ó reparación (distinta da la realizada por Broan-NuTone), montaje incorrecto ó instalación que no se ajuste a las instrucciones de montaje indicadas.

Le duración de la garantía se limita al periodo de un año como está especificado en la garantía explicita. Algunos países no permiten un limite en la duración de la garantía implicita; si es así en su caso, esta limitación arriba indicada podría no aplicarse.

LA PRESENTE GARANTIA CUBRIRA EXCLUSIVAMENTE AL COMPRADOR LOS SERVICIOS DESCRITOS ANTERIORMENTE. BROAN-NUTONE NO SE HACE RESPONSABLE DE DANOS PRODUCIDOS DE MANERA ACCIDENTAL O RELACIONADOS CON EL USO INCORRECTO DEL PRODUCTO O SU FUNCIONAMIENTO.

Algunos países no permiten la exclusión o limitación de los daños producidos de manera accidental, si es así en su caso, esta limitación arriba indicada podría no aplicarse. Esta garantía le da derechos legales específicos y podría también disponer de otros derechos que varian de país a país.

Esta garantía supera otras garantías dadas con anterioridad. Para disfrutar de la garantía usted deberá (a) Avisar a la dirección abajo indicada ó bien llamar por teléfono (b) Dar el número de serie del modelo correspondiente o bien una descripción de la parte averiada, (c) Descripción del defecto en el producto o bien en una de sus partes. Para requerir un servicio en garantía debe presentar el justificante con la fecha de la compra.

In USA - Best®, 926 W. State Street, Hartford, WI 53027 (800-558-1711)
In Canada - Best®, 550 Lemire Blvd., Drummondville, QC J2C 7W9
(866-737-7770)

www.BestRangeHoods.com

SERVICE PARTS

MODEL P195 (1 motor) - Parts for stainless steel models shown. For service parts for black or white models, call Broan Customer Service.

KEY NO.	PART NO.	DESCRIPTION
5	B08092167	Grille (52Cm - 20 ¹ / ₂ "
5	B08092165	Grille (70Cm - 27 ⁹ / ₁₆ "
6	B02011013	Filter Spring
9	B08087232	Grease Filter (52Cm - 20 ¹ / ₂ "
9	B08087233	Grease Filter (70Cm - 27 ⁹ / ₁₆ "
14	B02300233	Motor Capacitor
26	B02300899	Halogen Lamp Bulb
37	B02300787	Heat Sentry
39	B03294033	Control Board Cover
42	B03290377	Filter Support
48	B02310201	Motor
49	B03295071	Blower Wheel
53	B03204177	Rubber Washer
68	B02011258	Right Blower Housing
69	B02011259	Left Blower Housing
115	BE3334250	Wiring Box
116	BE3242502	Wiring Box Cover
116	BE3334252	Wiring Box Cover
144	B03292287	Wire Clamp
147	BR2300170	Junction Clamp
165	B03294781	Control Board Box
165	B03295008	Control Board Box
166	B08086668	Control Board
223	B03200376	Switch Button
228	B08086267	Controls Board
229	B03200793	Warning Lamp
230	B03294176	Switch Board Box Cover
234	B03294175	Control Board Box
240	B03292301	Switch Actuator
250	B02009102	Ring Nut
358	B032940130	Grille Stroke End
998	B080810286	Hardware Package
ALA	B06108800	Halogen Support Assembly
ARU	B08092518	Duct Connector Assembly (Includes Key Nos. 56, 57)
*	B06002036	Blower Assembly (Includes Key Nos. 68, 69, 48, 49, 53, 42)
*	B06108584	Switch Assembly (Includes Key Nos. 228, 230, 234)

* Not shown assembled.

SERVICE PARTS

MODEL P195 (2 motors) - Parts for stainless steel models shown. For service parts for black or white models, call Broan Customer Service.

KEY NO.	PART NO.	DESCRIPTION
5	B08092165	Grille
6	B02011013	Filter Spring
9	B08087233	Grease Filter
14	B02300233	Motor Capacitor
26	B02300899	Halogen Lamp Bulb
37	B02300787	Heat Sentry
39	B03294033	Control Board Cover
42	B03295001	Filter Support
48	B02310201	Motor
49	B03295071	Blower Wheel
53	B03204177	Rubber Washer
68	B02011064	Right Blower Housing
69	B02011063	Left Blower Housing
115	BE3334250	Wiring Box
116	BE3242502	Wiring Box Cover
116	BE3334252	Wiring Box Cover
144	B03292287	Wire Clamp
147	BR2300170	Junction Clamp
165	B03294781	Control Board Box
165	B03295008	Control Board Box
166	B08086668	Control Board
223	B03200376	Switch Button
228	B08086267	Controls Board
229	B03200793	Warning Lamp
230	B03294176	Switch Board Box Cover
234	B03294175	Control Board Box
240	B03292301	Switch Actuator
250	B02009102	Ring Nut
358	B032940130	Grille Stroke End
998	B080810286	Hardware Package
ALA	B06108800	Halogen Support Assembly
ARU	B08092501	Duct Connector Assembly (Includes Key Nos. 56, 57)
*	B06002008	Blower Assembly (Includes Key Nos. 42, 48, 49, 53, 68, 69)
*	B06108584	Switch Assembly (Includes Key Nos. 228, 230, 234)

* Not shown assembled.

LISTE DES PIÈCES DE RECHANGE

MODELE P195 (1 moteur) - Voici la liste des pièces de rechange pour les hottes en acier inoxydable. Pour les pièces de rechange des modèles de couleurs noir ou blanc, communiquer avec le Service à la clientèle de Broan.

N° REPÈRE	N° DE PIÈCE	DESCRIPTION
5	B08092167	Grille (52 cm - 20 1/2 po)
5	B08092165	Grille (70 cm - 27 9/16 po)
6	B02011013	Ressort du filtre
9	B08087232	Filtre à graisses (52 cm - 20 1/2 po)
9	B08087233	Filtre à graisses (70 cm - 27 9/16 po)
14	B02300233	Condensateur du moteur
26	B02300899	Ampoule halogène
37	B02300787	Détecteur de chaleur Heat Sentry
39	B03294033	Couvercle du boîtier de la carte de circuit imprimé
42	B03290377	Support de filtre
48	B02310201	Moteur
49	B03295071	Roue du ventilateur
53	B03204177	Amortisseur en caoutchouc
68	B02011258	Boîtier droit du moteur
69	B02011259	Boîtier gauche du moteur
115	BE3334250	Boîte de connexion électrique
116	BE3242502	Couvercle de la boîte de connexion électrique
116	BE3334252	Couvercle de la boîte de connexion électrique
144	B03292287	Serre-fil
147	BR2300170	Pince de raccordement
165	B03294781	Boîtier de la carte de circuit imprimé
165	B03295008	Boîtier de la carte de circuit imprimé
166	B08086668	Carte de circuit imprimé
223	B03200376	Bouton d'interrupteur
228	B08086267	Circuit des commandes
229	B03200793	Témoin lumineux
230	B03294176	Couvercle du circuit des commandes
234	B03294175	Boîtier du circuit des commandes
240	B03292301	Commande d'interrupteur
250	B02009102	Bague
358	B032940130	Butée de la grille
998	B080810286	Quincaillerie
ALA	B06108800	Ensemble de support de lampe halogène
ARU	B08092518	Ensemble de raccord de conduit (comprend les repères n ^{os} 56, 57)
*	B06002036	Bloc moteur (comprend les repères n ^{os} 68, 69, 48, 49, 53, 42)
*	B06108584	Bloc commandes (comprend les repères n ^{os} 228, 230, 234)

* Illustrés non assemblés.

LISTE DES PIÈCES DE RECHANGE

MODÈLE P195 (2 moteurs) - Voici la liste des pièces de rechange pour les hottes en acier inoxydable. Pour les pièces de rechange des modèles de couleurs noir ou blanc, communiquer avec le Service à la clientèle de Broan.

N° REPÈRE	N° DE PIÈCE	DESCRIPTION
5	B08092165	Grille
6	B02011013	Ressort du filtre
9	B08087233	Filtre à graisses
14	B02300233	Condensateur du moteur
26	B02300899	Ampoule halogène
37	B02300787	Détecteur de chaleur Heat Sentry
39	B03294033	Couvercle du boîtier de la carte de circuit imprimé
42	B03295001	Support de filtre
48	B02310201	Moteur
49	B03295071	Roue du ventilateur
53	B03204177	Amortisseur en caoutchouc
68	B02011064	Boîtier droit du moteur
69	B02011063	Boîtier gauche du moteur
115	BE3334250	Boîte de connexion électrique
116	BE3242502	Couvercle du boîtier de la carte de circuit imprimé
116	BE3334252	Couvercle du boîtier de la carte de circuit imprimé
144	B03292287	Serre-fil
147	BR2300170	Pince de raccordement
165	B03294781	Boîtier de la carte de circuit imprimé
165	B03295008	Boîtier de la carte de circuit imprimé
166	B08086668	Carte de circuit imprimé
223	B03200376	Bouton d'interrupteur
228	B08086267	Circuit des commandes
229	B03200793	Témoin lumineux
230	B03294176	Couvercle du circuit des commandes
234	B03294175	Boîtier du circuit des commandes
240	B03292301	Commande d'interrupteur
250	B02009102	Bague
358	B032940130	Butée de la grille
998	B080810286	Quincaillerie
ALA	B06108800	Ensemble de support de lampe halogène
ARU	B08092501	Ensemble de raccord de conduit
*	B06002008	(comprend les repères n ^{os} 56, 57) Bloc moteur (comprend les repères n ^{os} 42, 48, 49, 53, 68, 69)
*	B06108584	Bloc commandes (comprend les repères n ^{os} 228, 230, 234)

* Illustrés non assemblés.

LISTA DE PIEZAS DE RECAMBIO

MODELO P195 (1 motor) - Aquí aparecen solamente las piezas de recambio para campanas de acero inoxidable, si desean las piezas de recambio de los modelos en blanco ó negro, pónganse en contacto con el servicio al cliente de Broan.

CÓD. N.	PIEZA N.	DESCRIPCIÓN
5	B08092167	Reja (52Cm - 20 ¹ / ₂ "
5	B08092165	Reja (70Cm - 27 ⁹ / ₁₆ "
6	B02011013	Ressort du filtre
9	B08087232	Filtro antigrasa (52Cm - 20 ¹ / ₂ "
9	B08087233	Filtro antigrasa (70Cm - 27 ⁹ / ₁₆ "
14	B02300233	Condensador
26	B02300899	Lámpara halógena
37	B02300787	Sensor de temperatura
39	B03294033	Tapa de la caja base de instalación eléctrica
42	B03290377	Soporte filtro
48	B02310201	Motor
49	B03295071	Manilla del motor
53	B03204177	Almohadilla antivibraciones
68	B02011258	Lado derecho del motor
69	B02011259	Lado izquierdo del motor
115	BE3334250	Caja cable alimentación
116	BE3242502	Tapa Caja cable alimentación
116	BE3334252	Tapa Caja cable alimentación
144	B03292287	Sujeta cabos
147	BR2300170	Terminal
165	B03294781	Caja de instalación eléctrica
165	B03295008	Caja de instalación eléctrica
166	B08086668	Base para instalación eléctrica
223	B03200376	Mando
228	B08086267	Base de los mandos
229	B03200793	Piloto
230	B03294176	Tapa de la caja mandos
234	B03294175	Caja de los mandos
240	B03292301	Activador de los mandos
250	B02009102	Abrazadera
358	B032940130	Conclusión reja
998	B080810286	Accesorios para el montaje
ALA	B06108800	Conjunto soporte lámpara halógena
ARU	B08092518	Conjunto casquillo (Incluye los N. 56, 57)
*	B06002036	Conjunto motor (Includes Key Nos. 68, 69, 48, 49, 53, 42)
*	B06108584	Conjunto mandos (Includes Key Nos. 228, 230, 234)

* Se encuentran por separado.

LISTA DE PIEZAS DE RECAMBIO

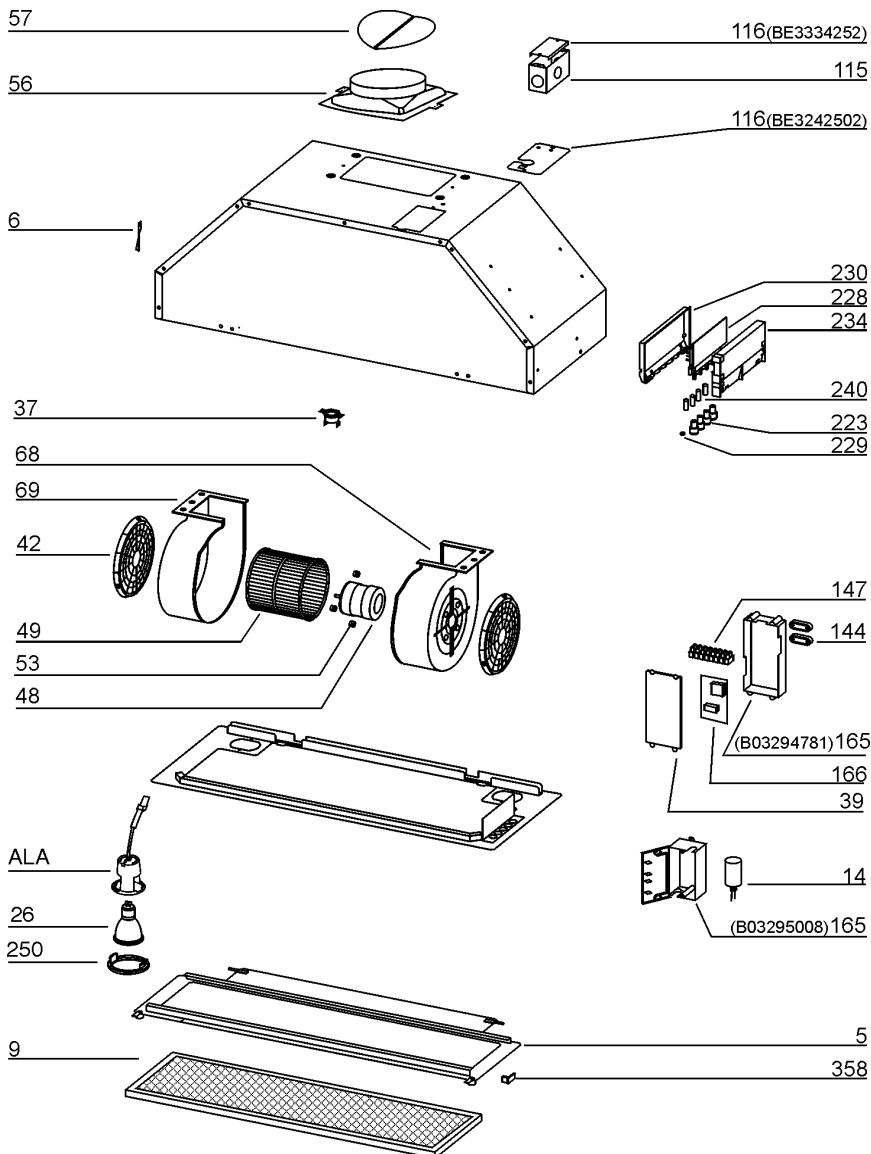
MODELO P195 (2 motores) - Aquí aparecen solamente las piezas de recambio para campanas de acero inoxidable, si desean las piezas de recambio de los modelos en blanco ó negro, pónganse en contacto con el servicio al cliente de Broan.

CÓD. N.	PIEZA N.	DESCRIPCIÓN
5	B08092165	Reja
6	B02011013	Ressort du filtre
9	B08087233	Filtro antigrasa
14	B02300233	Condensador
26	B02300899	Lámpara halógena
37	B02300787	Sensor de temperatura
39	B03294033	Tapa de la caja base de instalación eléctrica
42	B03295001	Soporte filtro
48	B02310201	Motor
49	B03295071	Manilla del motor
53	B03204177	Almohadilla antivibraciones
68	B02011064	Lado derecho del motor
69	B02011063	Lado izquierdo del motor
115	BE3334250	Caja cable alimentación
116	BE3242502	Tapa Caja cable alimentación
116	BE3334252	Tapa Caja cable alimentación
144	B03292287	Sujeta cabos
147	BR2300170	Terminal
165	B03294781	Caja de instalación eléctrica
165	B03295008	Caja de instalación eléctrica
166	B08086668	Base para instalación eléctrica
223	B03200376	Mando
228	B08086267	Base de los mandos
229	B03200793	Piloto
230	B03294176	Tapa de la caja mandos
234	B03294175	Caja de los mandos
240	B03292301	Activador de los mandos
250	B02009102	Abrazadera
358	B032940130	Conclusión reja
998	B080810286	Accesorios para el montaje
ALA	B06108800	Conjunto soporte lámpara halógena
ARU	B08092501	Conjunto casquillo (Incluye los N. 56, 57)
*	B06002008	Conjunto motor (Includes Key Nos. 42, 48, 49, 53, 68, 69)
*	B06108584	Conjunto mandos (Includes Key Nos. 228, 230, 234)

* Se encuentran por separado.

SERVICE PARTS - LISTE DE PIÈCES DE RECHANGE - LISTA DE PIEZAS DE RECAMBIO

MODEL P195 (1 motor)



SERVICE PARTS - LISTE PIECES DE RECHANGE - LISTA DE PIEZAS DE RECAMBIO

MODEL P195 (2 motors)

