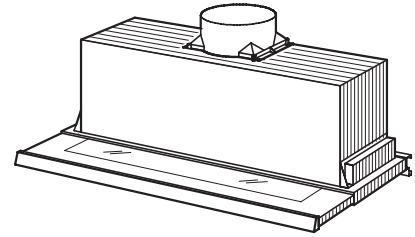


# U102E SERIES RANGE HOODS



For use with external blowers.

**Slim-line design provides strong, effective ventilation and cooktop lighting unobtrusively.**

### FEATURES

- Italian design
- Cabinet mount
- Finish: 304 Stainless Steel #4 Brushed, White & Black
- Width: 30", 36" and 42"
- 8" round duct connector/backdraft damper
- Halogen lighting (2 x 20 watt, Type JC 12V 20W G4 Base - bulbs included) with multilevels from bright cooktop illumination to a low nighttime setting
- Advanced, electronic push-button controls
- Exterior mounted blower available in either 600, 900, 1200, or 1500 cfm
- Four-speed motor controls
- Delay timer control automatically shuts off range hood after ten minutes
- Special control indicates when it's time to clean the filter
- Dishwasher-safe filter features a quick-release latch and decorative cover plate
- Heat Sentry™ - automatically turns blower to high speed when excess cooking heat is detected
- Pull out visor with clear glass panel
- For indoor use only

### OPTIONS

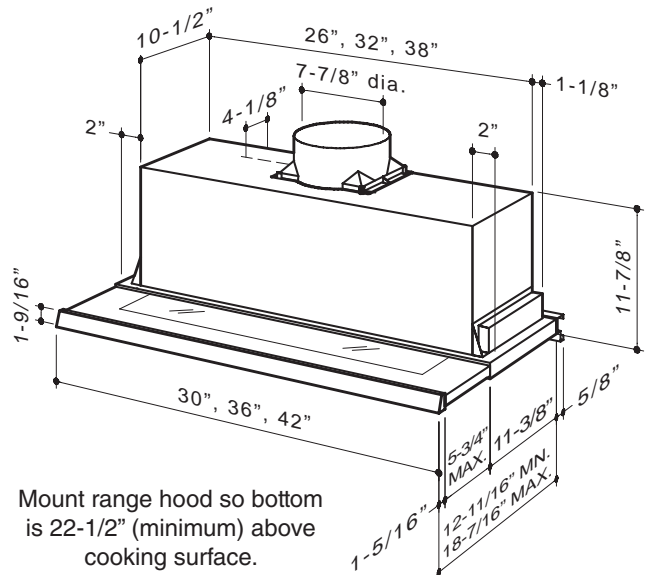
- Replacement grease filters available
- Interior blower (Model U102I Series) available, providing 500 cfm exhaust
- 8" to 10" transition (Model 414)
- Replacement Bulb (Part No. SB02300891)



BEST Hartford, Wisconsin [www.BestRangeHoods.com](http://www.BestRangeHoods.com) 800-558-1711  
 BEST Drummondville, QC, Canada [www.BestRangeHoods.com](http://www.BestRangeHoods.com) 866-737-7770

### SPECIFICATIONS

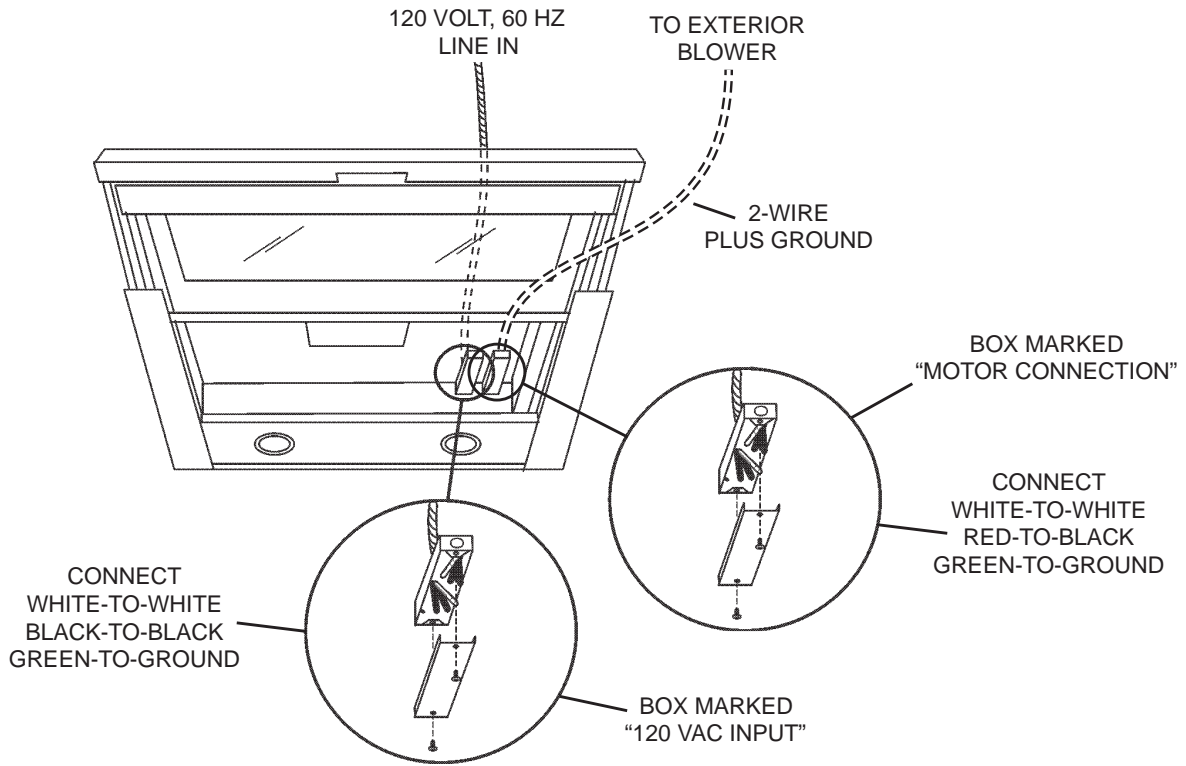
WITH OPTIONAL BLOWER MODELS	BLOWER CFM	VOLTS	AMPS	DUCT
EB6	600 max.	120	0.43 (lights only) + 6.0 max. (blower only)	8-in. round at the hood. See blower specs for duct requirements.
EB9	900 max.			
EB12	1200 max.			
EB15	1500 max.			
ILB3	280 max.	120	0.43 (lights only) + 6.0 max. (blower only)	8-in. round at the hood. See blower specs for duct requirements.
ILB6	600 max.			
ILB9	800 max.			
ILB11	1100 max.			



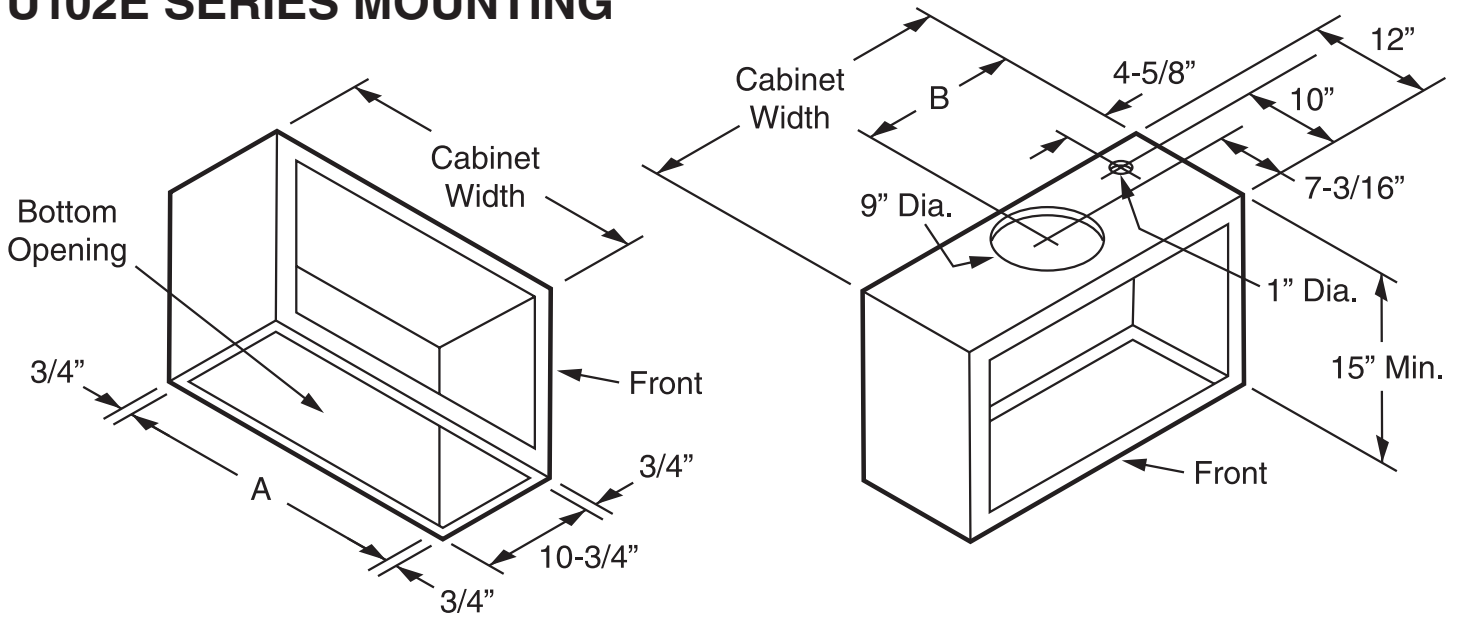
Mount range hood so bottom is 22-1/2" (minimum) above cooking surface.

REFERENCE	QTY.	REMARKS	Project
			Location
			Architect
			Engineer
			Contractor
			Submitted by
			Date

# U102E SERIES WIRING



# U102E SERIES MOUNTING



Cabinet Width	"A"	"B"
30"	28-1/2"	15"
36"	34-1/2"	18"
42"	40-1/2"	21"