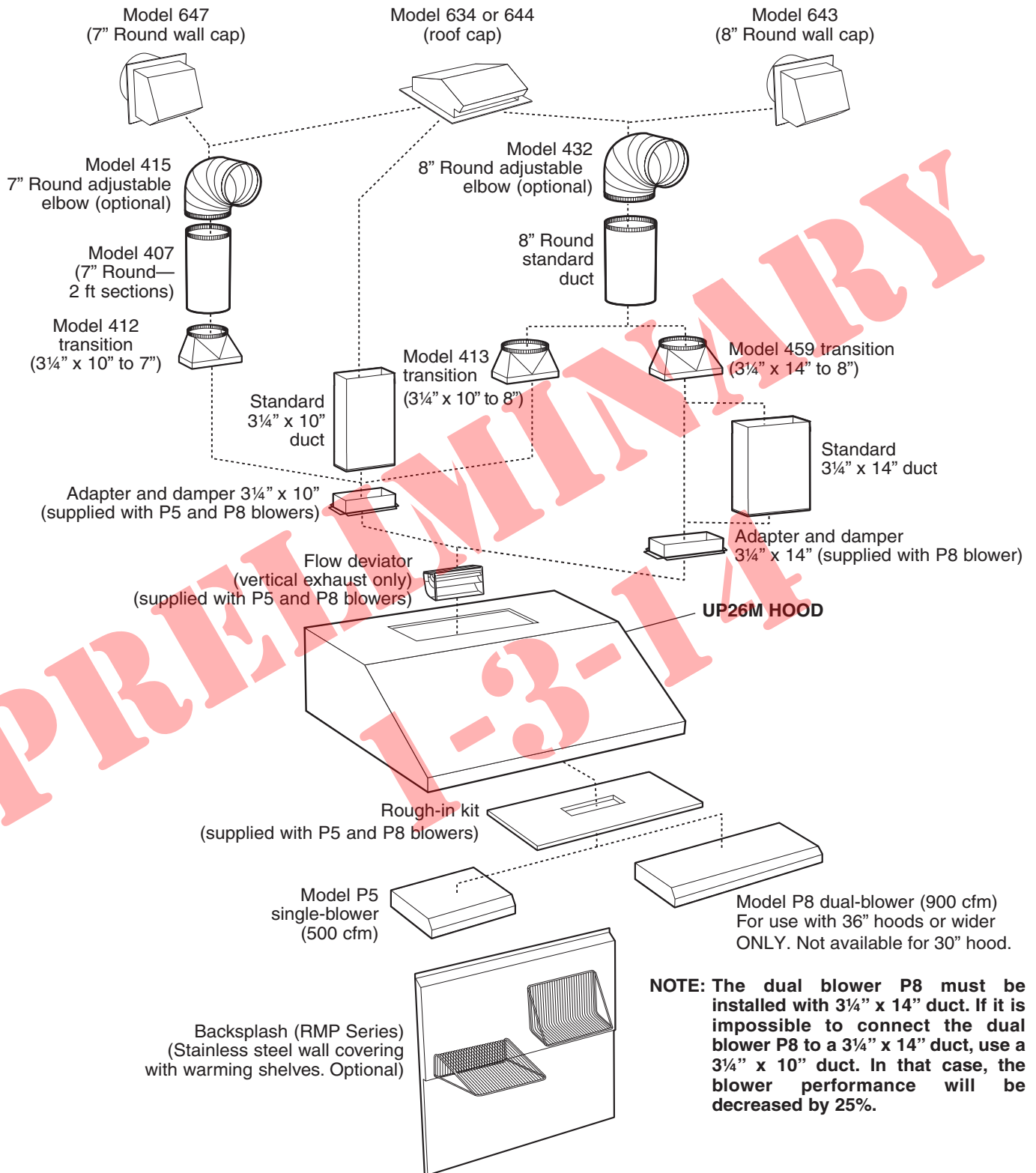


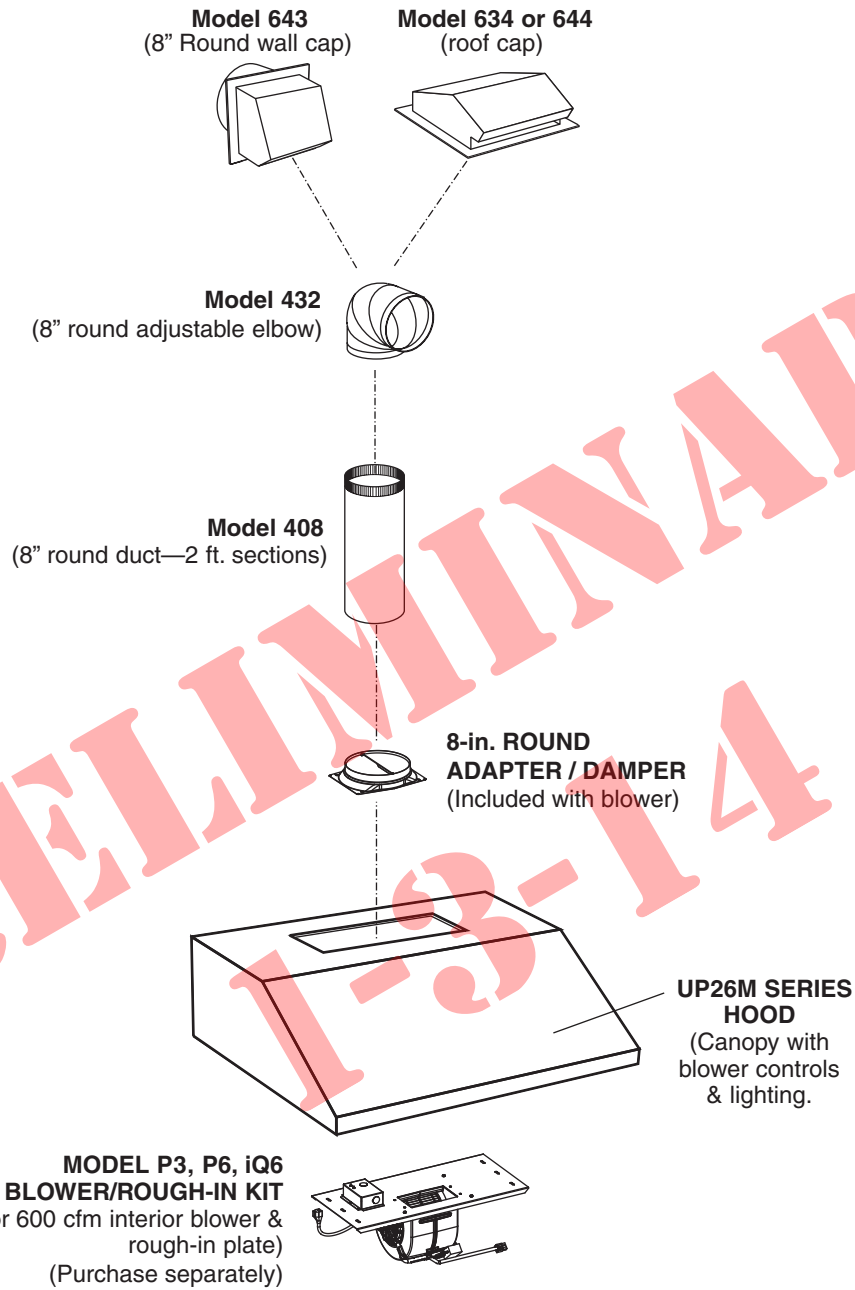
- UP26M SERIES RANGE HOOD SYSTEM -

- P5 & P8 INTERIOR BLOWERS -

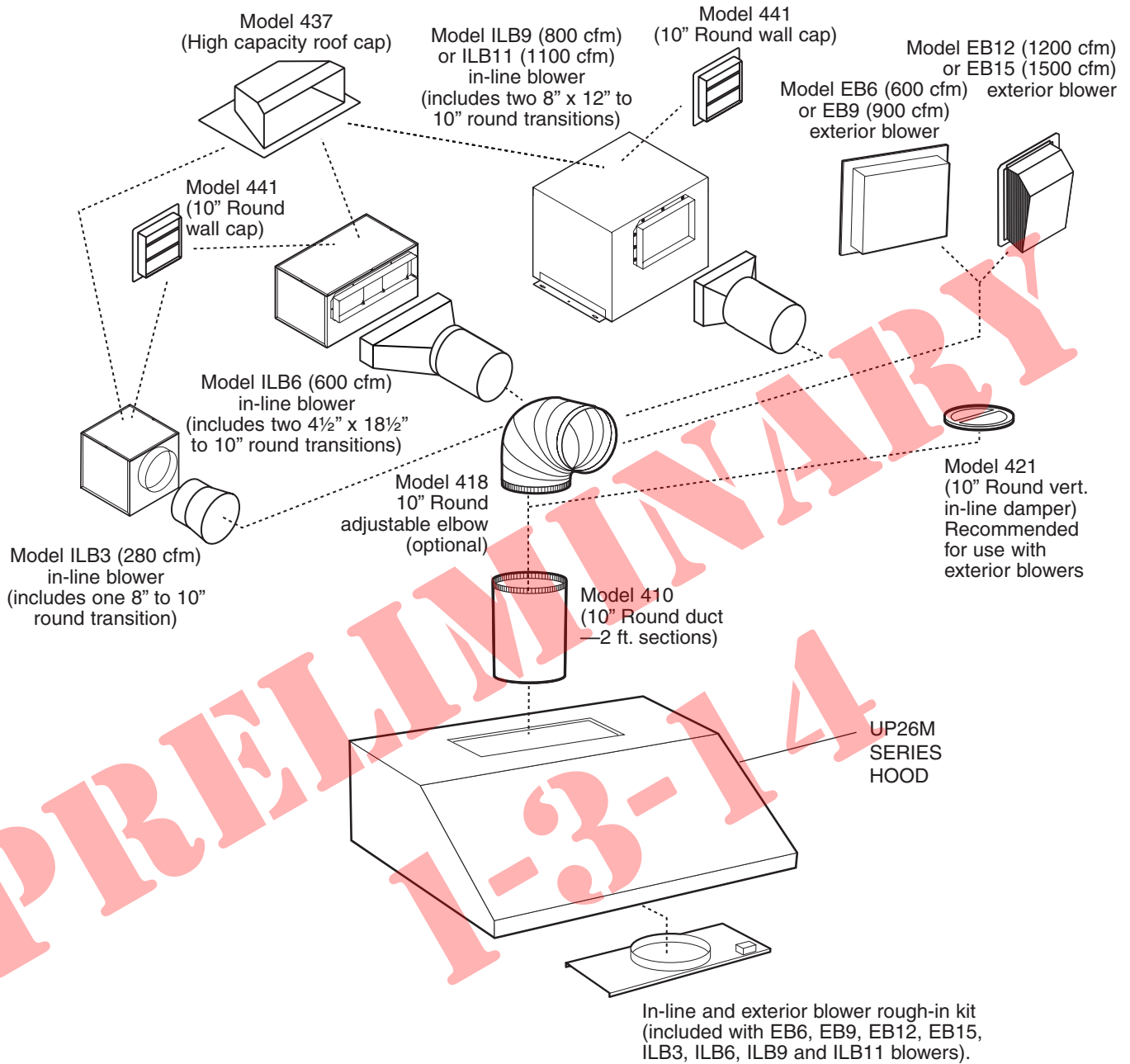


NOTE: The dual blower P8 must be installed with 3¼" x 14" duct. If it is impossible to connect the dual blower P8 to a 3¼" x 14" duct, use a 3¼" x 10" duct. In that case, the blower performance will be decreased by 25%.

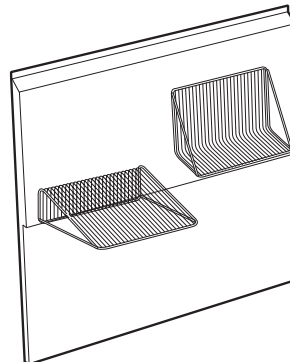
- UP26M SERIES RANGE HOOD SYSTEM - - P3, P6 & iQ6 Interior Blowers -



- UP26M SERIES RANGE HOOD SYSTEM - IN-LINE AND EXTERIOR BLOWERS



RMP Series Backsplash (Stainless Steel wall covering with warming shelves. Optional)

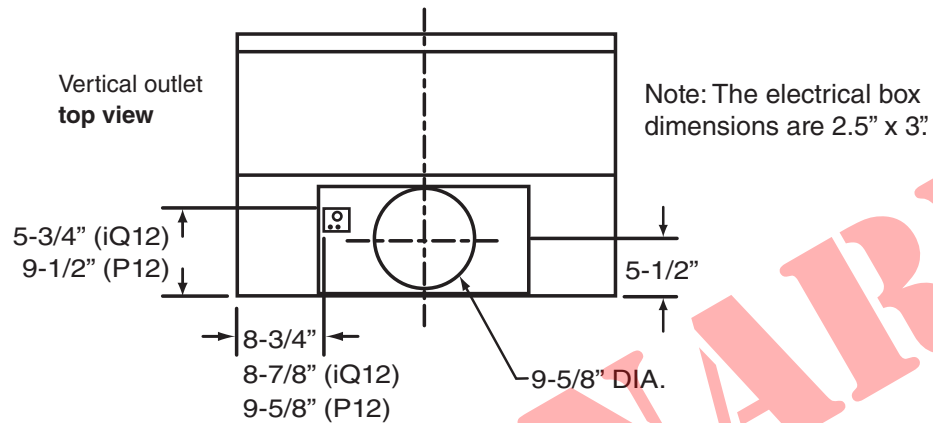


- UP26M SERIES RANGE HOOD SYSTEM - BLOWER DUCTING POSITION

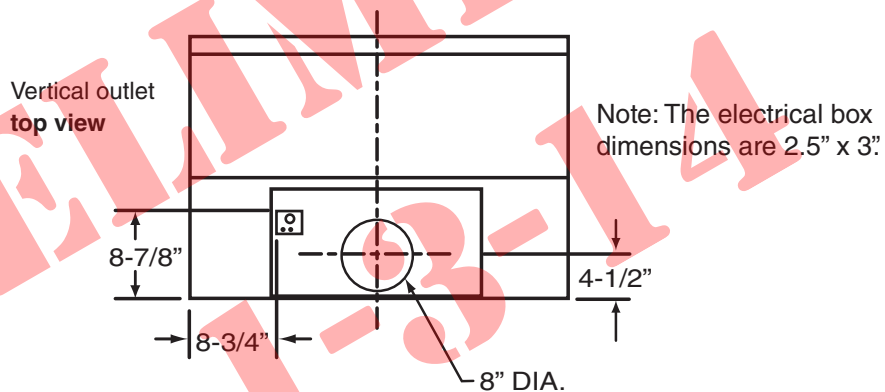
BLOWER DUCTING POSITION

(Choice of transition will determine the final duct placement.)

MODEL EB6, EB9, EB12, EB15, ILB3, ILB6, ILB9, ILB11, P12 & iQ12:



MODEL P3, P6 & iQ6:



MODEL P5 & P8:

