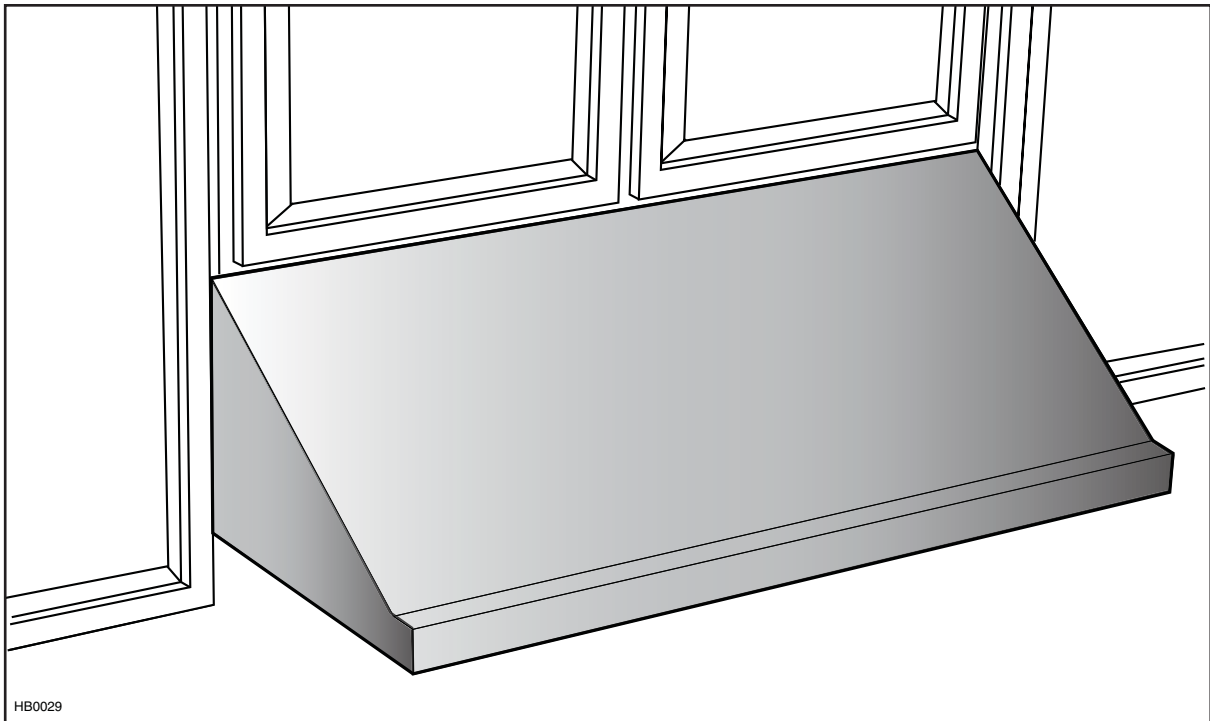


# best®



## UP26M SERIES

⚠ INTENDED FOR DOMESTIC COOKING ONLY ⚠

**READ AND SAVE THESE INSTRUCTIONS**

INSTALLER: LEAVE THIS MANUAL WITH HOMEOWNER.  
HOMEOWNER: USE AND CARE INFORMATION ON PAGES 13 AND 14.

BEST; Hartford, Wisconsin [www.BestRangeHoods.com](http://www.BestRangeHoods.com) 800-558-1711  
BEST; Drummondville, QC, Canada [www.BestRangeHoods.com](http://www.BestRangeHoods.com) 866-737-7770

To register your product online or for additional information visit [www.BestRangeHoods.com](http://www.BestRangeHoods.com)

## **WARNING**

### **TO REDUCE THE RISK OF FIRE, ELECTRIC SHOCK OR INJURY TO PERSONS, OBSERVE THE FOLLOWING:**

1. Use this unit only in the manner intended by the manufacturer. If you have questions, contact the manufacturer at the address or telephone number listed in the warranty.
2. Before servicing or cleaning unit, switch power off at service panel and lock service disconnecting means to prevent power from being switched on accidentally. When the service disconnecting means cannot be locked, securely fasten a prominent warning device, such as a tag, to the service panel.
3. Installation work and electrical wiring must be done by qualified personnel in accordance with all applicable codes and standards, including fire-rated construction codes and standards.
4. Sufficient air is needed for proper combustion and exhausting of gases through the flue (chimney) of fuel burning equipment to prevent backdrafting. Follow the heating equipment manufacturer's guidelines and safety standards such as those published by the National Fire Protection Association (NFPA) and the American Society for Heating, Refrigeration and Air Conditioning Engineers (ASHRAE) and the local code authorities.
5. When cutting or drilling into wall or ceiling, do not damage electrical wiring and other hidden utilities.
6. Ducted fans must always be vented to the outdoors.
7. Do not use this unit with any additional solid-state speed control device.
8. To reduce the risk of fire, use only metal ductwork.
9. This unit must be grounded.
10. When applicable local regulations comprise more restrictive installation and/or certification requirements, the aforementioned requirements prevail on those of this document and the installer agrees to conform to these at his own expenses.

### **TO REDUCE THE RISK OF A RANGE TOP GREASE FIRE:**

- a) Never leave surface units unattended at high settings. Boilovers cause smoking and greasy spillovers that may ignite. Heat oils slowly on low or medium settings.
- b) Always turn hood ON when cooking at high heat or when flambeing food (i.e.: Crêpes Suzette, Cherries Jubilee, Peppercorn Beef Flambé).
- c) Clean ventilating fans frequently. Grease should not be allowed to accumulate on fan, filters or in exhaust ducts.
- d) Use proper pan size. Always use cookware appropriate for the size of the surface element.

## **WARNING**

### **TO REDUCE THE RISK OF INJURY TO PERSONS IN THE EVENT OF A RANGE TOP GREASE FIRE, OBSERVE THE FOLLOWING\*:**

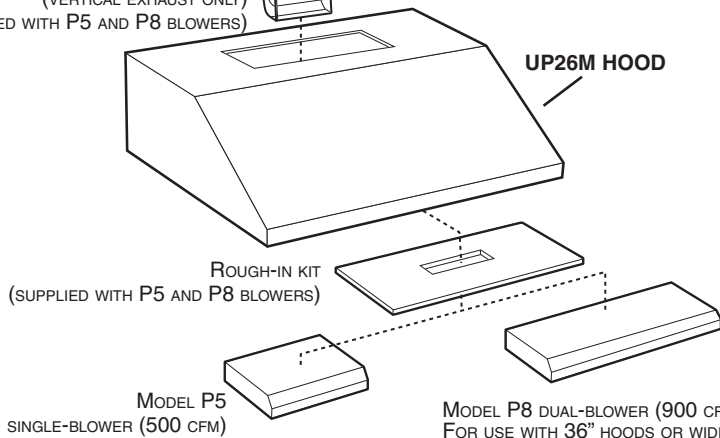
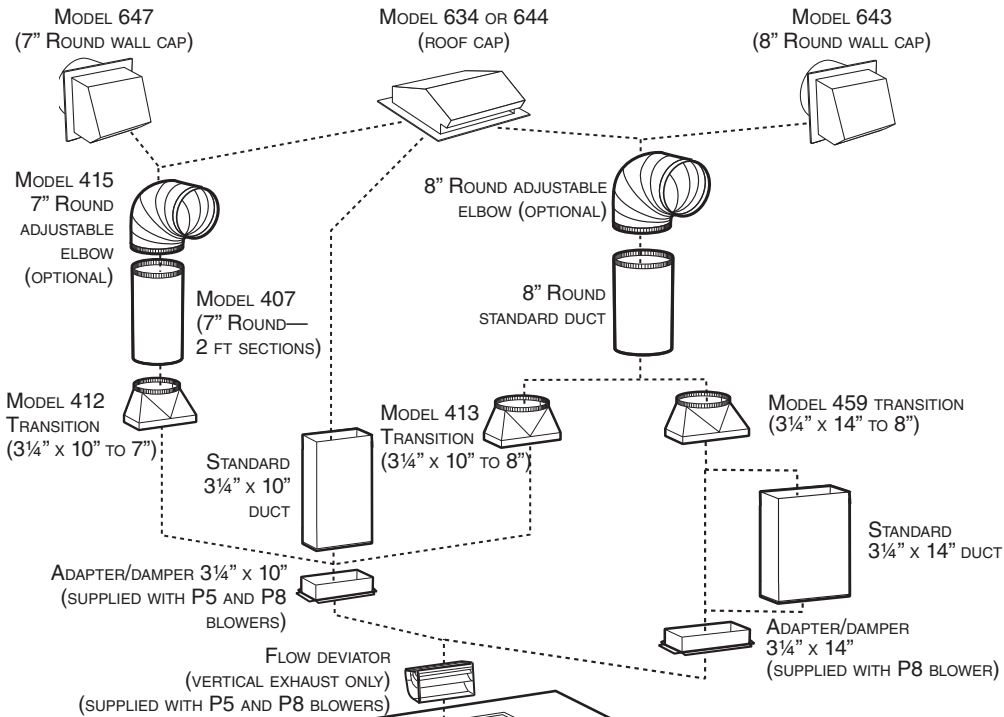
1. SMOTHER FLAMES with a close-fitting lid, cookie sheet or metal tray, then turn off the burner. BE CAREFUL TO PREVENT BURNS. IF THE FLAMES DO NOT GO OUT IMMEDIATELY, EVACUATE AND CALL THE FIRE DEPARTMENT.
2. NEVER PICK UP A FLAMING PAN — You may be burned.
3. DO NOT USE WATER, including wet dishcloths or towels — This could cause a violent steam explosion.
4. Use an extinguisher ONLY if:
  - A. You own a Class ABC extinguisher and you know how to operate it.
  - B. The fire is small and contained in the area where it started.
  - C. The fire department has been called.
  - D. You can fight the fire with your back to an exit.

\* Based on "Kitchen Fire Safety Tips" published by NFPA.

## **CAUTION**

1. For indoor use only.
2. For general ventilating use only. Do not use to exhaust hazardous or explosive materials and vapors.
3. To avoid motor bearing damage and noisy and/or unbalanced impeller, keep drywall spray, construction dust, etc. off power unit.
4. Your hood motor has a thermal overload which will automatically shut off the motor if it becomes overheated. The motor will restart when it cools down. If the motor continues to shut off and restart, have the hood serviced.
5. For best capture of cooking impurities, the bottom of the hood should be at a minimum of 24" and at a maximum of 36" above the cooking surface.
6. Two installers are recommended because of the large size and weight of this unit.
7. To reduce the risk of fire and to properly exhaust air, be sure to duct air outside — Do not exhaust air into spaces within walls or ceiling or into attics, crawl space or garage.
8. This product is equipped with a thermostat which may start blower automatically. To reduce the risk of injury and to prevent power from being switched on accidentally, switch power off at service panel and lock or tag service panel.
9. Because of the high exhausting capacity of this unit, you should make sure enough air is entering the house to replace exhausted air by opening a window close to or in the kitchen.
10. To reduce the risk of fire and electric shock, the Best UP26M Series hood must be installed with Best interior blower model iQ6, P3, P5, P6 or P8; Best exterior models EB6, EB9, EB12 or EB15; Best in-line blowers models ILB3, ILB6, ILB9 or ILB11. Other blowers cannot be substituted. (Blowers sold separately.)
11. Please read specification label on product for further information and requirements.

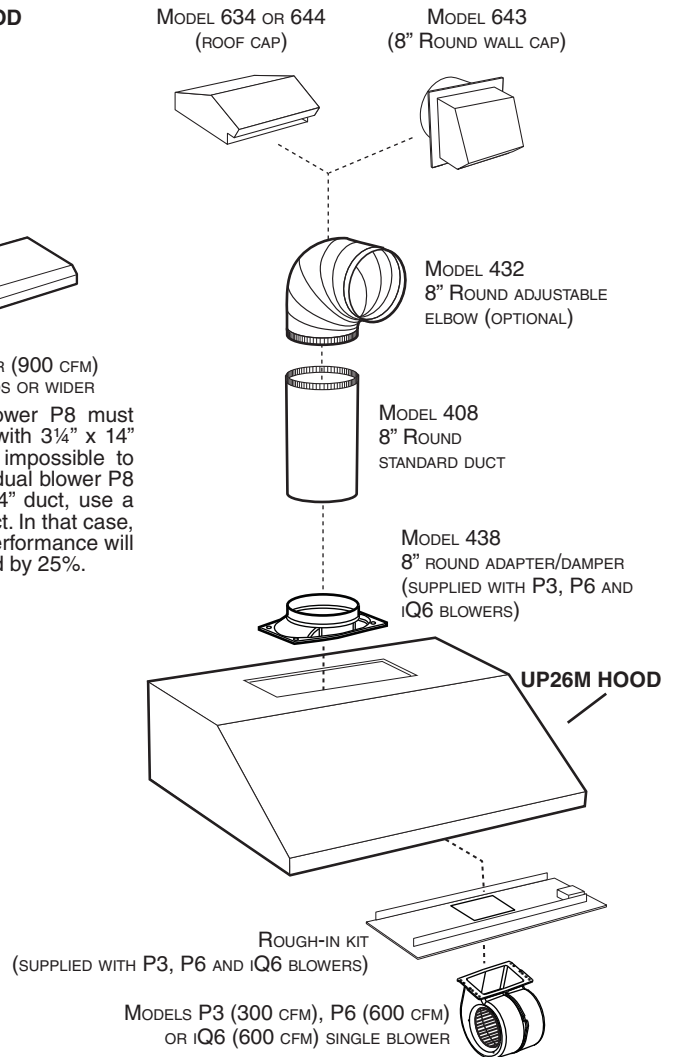
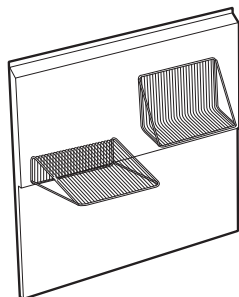
# - UP26M SERIES RANGE HOOD SYSTEM - INTERIOR BLOWERS



**MODEL P8 DUAL-BLOWER (900 CFM)**  
FOR USE WITH 36" HOODS OR WIDER

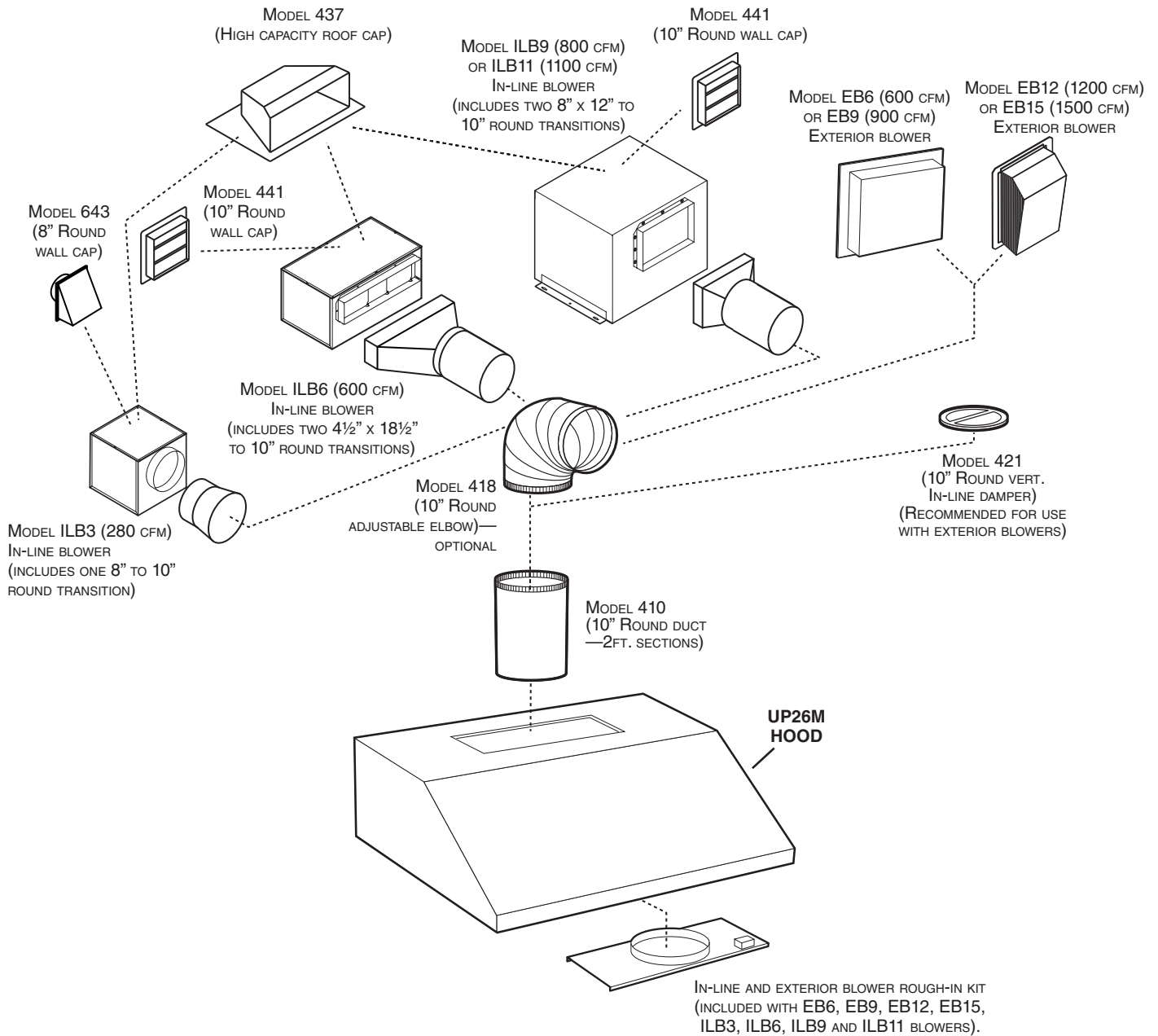
**NOTE:** The dual blower P8 must be installed with 3 1/4" x 14" duct. If it is impossible to connect the dual blower P8 to a 3 1/4" x 14" duct, use a 3 1/4" x 10" duct. In that case, the blower performance will be decreased by 25%.

**BACKSPLASH (RMP SERIES)**  
(STAINLESS STEEL WALL COVERING WITH WARMING SHELVES. OPTIONAL)

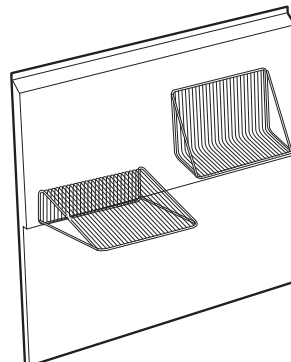


**MODELS P3 (300 CFM), P6 (600 CFM)**  
OR **IQ6 (600 CFM) SINGLE BLOWER**

# - UP26M SERIES RANGE HOOD SYSTEM - IN-LINE AND EXTERIOR BLOWERS



**RMP SERIES BACKSPASH**  
(STAINLESS STEEL WALL  
COVERING WITH WARMING  
SHELVES. OPTIONAL)



# 1. SELECT BLOWER OPTION AND INSTALL DUCTWORK

Either an interior or exterior blower or in-line blower may be used with this hood. The Best UP26M must be installed with blower models iQ6, P3, P5, P6, P8, ILB3, ILB6, ILB9, ILB11, EB6, EB9, EB12 or EB15 only. Other blowers cannot be substituted. (Blowers sold separately).

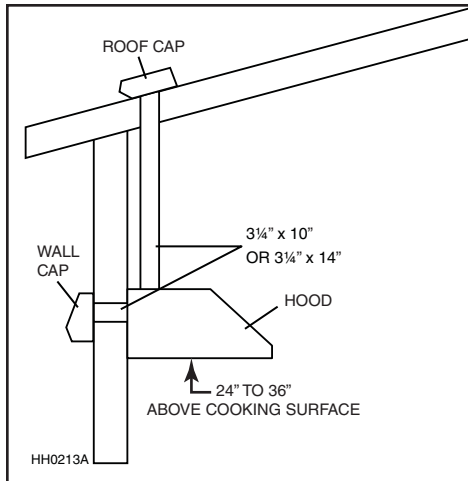
Plan where and how the ductwork will be installed.

**If installing in-line blower, refer to instructions packed with in-line blower and follow steps 1 up to 3, 5, 8, 11, 12, 16 and up of this manual.**

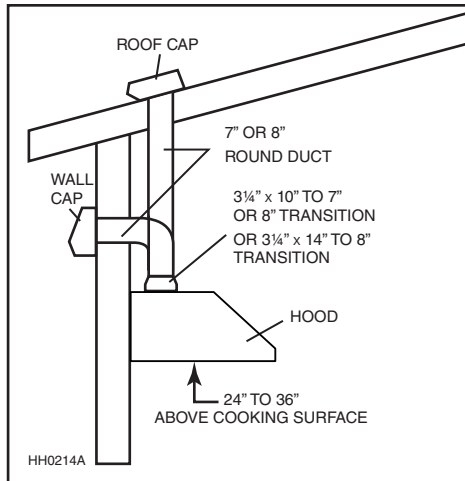
Install proper-sized ductwork, elbow(s) and roof or wall cap for the type of blower you are installing. If using 7" or 8" round ducts, use a transition. Use 2" metal foil duct tape to seal duct joints.

**The minimum hood distance above cooktop must not be less than 24". A maximum of 36" above cooktop is highly recommended for best capture of cooking impurities.**

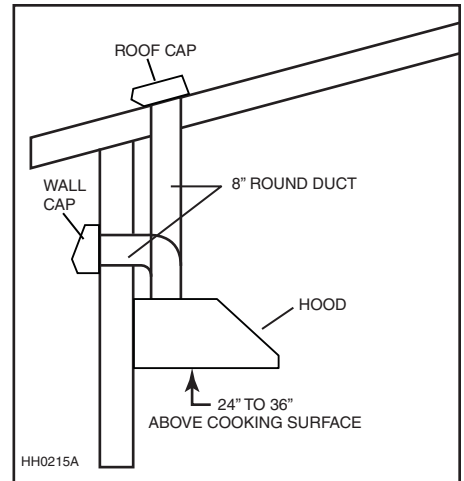
Distances over 36" are at the installer and users discretion.



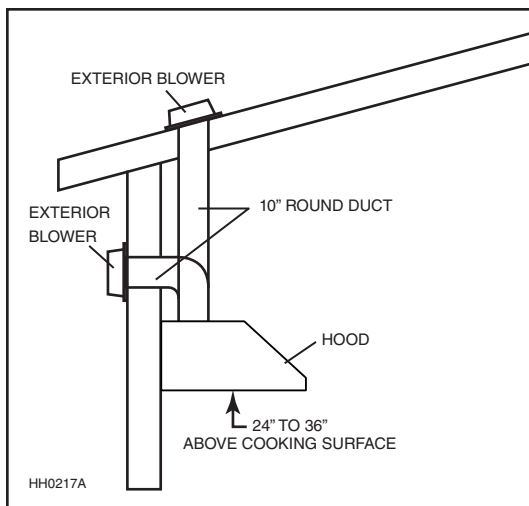
**MODEL P5 (SINGLE) OR P8 (DOUBLE)  
INTERIOR BLOWER  
TYPICAL RECTANGULAR DUCTWORK**



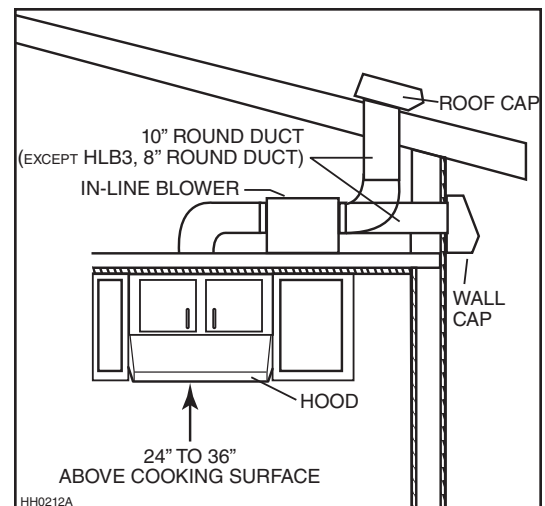
**MODEL P5 (SINGLE) OR P8 (DOUBLE)  
INTERIOR BLOWER  
7" OR 8" ROUND DUCTWORK**



**MODEL P3, P6 or iQ6 (SINGLE)  
INTERIOR BLOWER  
8" ROUND DUCTWORK**



**MODEL EB6, EB9, EB12 OR EB15  
EXTERIOR BLOWER  
TYPICAL DUCTWORK**



**MODEL ILB3, ILB6, ILB9 OR ILB11  
IN-LINE BLOWER  
TYPICAL DUCTWORK**

## 2. PREPARE INSTALLATION

### ⚠ WARNING

**When performing installation, servicing or cleaning the unit, it is recommended to wear safety glasses and gloves.**

NOTE: Before proceeding to the installation, check the contents of the box. If items are missing or damaged, contact the manufacturer.

Make sure that the following items are included:

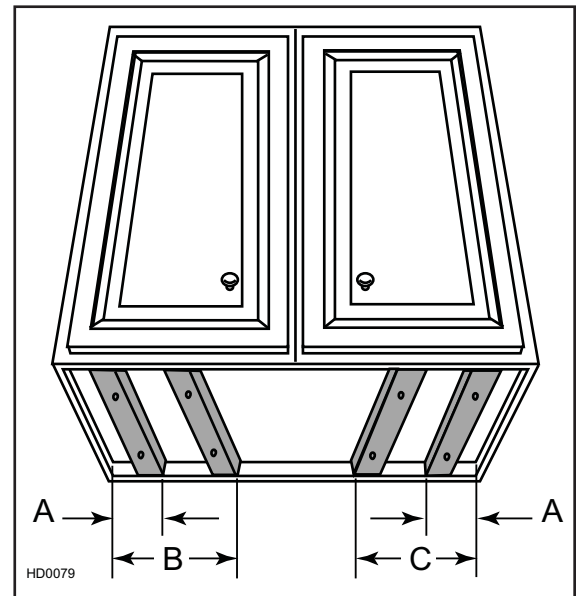
- Range hood
- Accessories:
  - Hybrid baffle filters with handles
  - Shielded halogen bulbs (120 V, 50 W, MR16 with GU10 base or PAR16 with GU10 base)
  - Bag of parts including: 4 lock nuts no. 10-32, 1 wire clamp LP16-AP, 2 no. 6 x 1/2" screws, 2 wire connectors no. 74B, 6 no. 8 x 3/8", 8 double threaded screws 6-12 x 1/2"

Parts sold separately:

- Interior blower Model P5 or P8 includes blower, rough-in kit, flow deviator and 3¼" x 10" or 3¼" x 14" adapter
- Interior blower Model iQ6, P3 or P6 includes blower, rough-in kit, adapter/damper
- In-line blower assembly ILB3, ILB6, ILB9 or ILB11 (all include transition(s) and rough-in plate)
- Exterior blower assembly EB6, EB9, EB12 or EB15 (all include rough-in plate)
- Backsplash (optional)
- Transitions, duct, elbows, dampers, wall and roof caps. Refer to pages 3 and 4 for a complete list of venting options and model numbers.

NOTE: For cabinets with recessed bottom, attach wood filler strips (not included) on each side, as shown below. Use two 2-inch wide strips for 30" wide hoods, and four 2-inch wide strips for wider hoods, cut to length. See below for wood filler strip locations.

HOOD WIDTHS	LOCATIONS		
	A	B	C
30"	2"	N/A	N/A
36"	2"	4½"	4½"
42"	2"	7¼"	8¼"
48"	4"	10¼"	11¼"



## 3. INSTALL BACKSPLASH (OPTIONAL)

Backsplash must be installed before the hood shell because the hood shell covers the backsplash top mounting screws. In order to be able to install the backsplash, ensure to have at least 18" clearance between bottom of hood and range control panel or cooktop. (See instructions packed with backsplash.)

## 4. SELECT BLOWER OPTION (EXTERIOR OR INTERIOR)

INTERIOR BLOWER: Follow all subsequent steps of this manual.

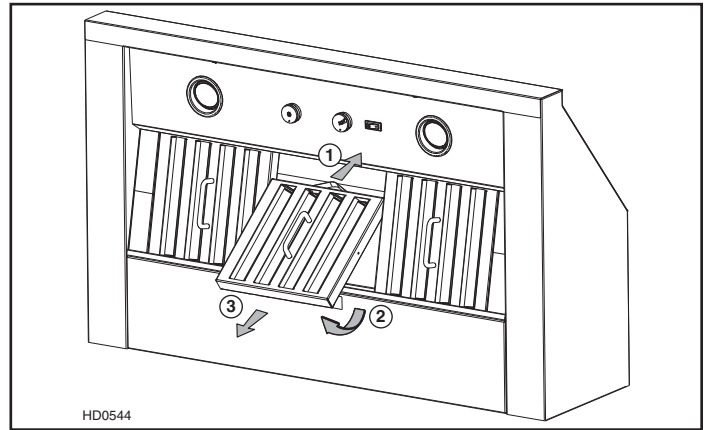
EXTERIOR BLOWER: Refer to instructions packed with exterior blower and follow steps 5, 8, 11, 12, 16 and up of the present manual.

## 5. REMOVE FILTERS AND BOTTOM PANEL (ALL BLOWERS)

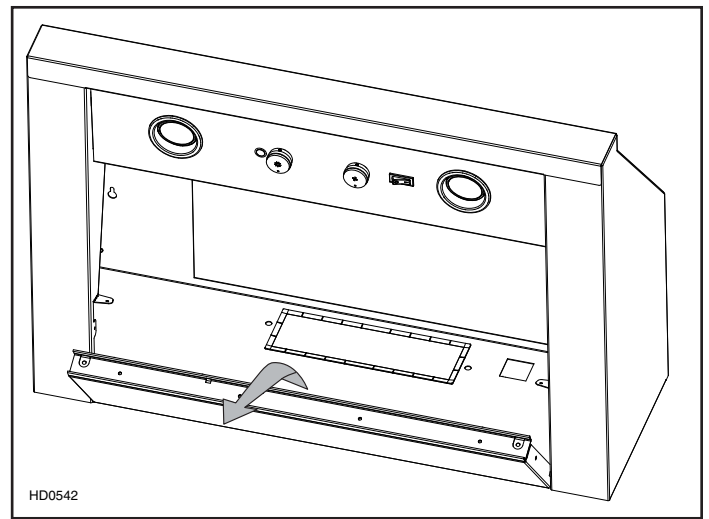
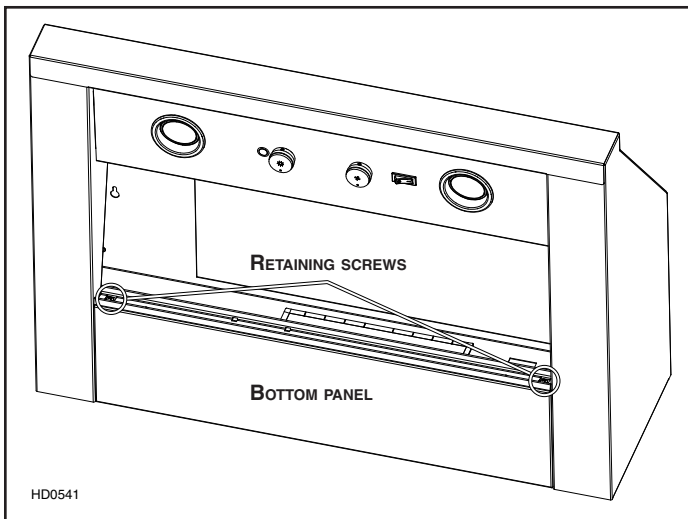
Lay the hood flat on a table. Use a piece of cardboard to avoid damaging the table or the hood.

Remove tape on filters. Remove filters from hood and set aside.

NOTE: It is recommended to start with the center one(s).



Remove bottom panel both retaining screws. Set bottom panel and screws aside.

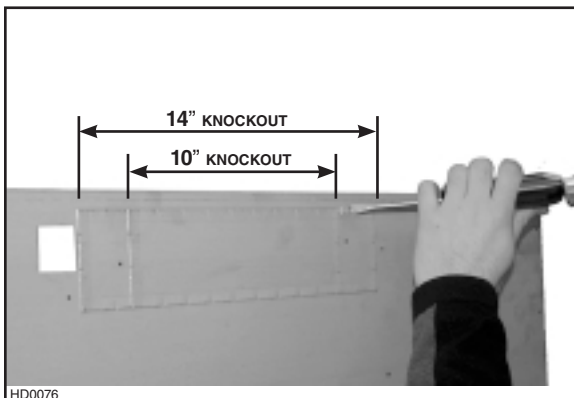


## 6. CHOOSE THE OPENING (P5 AND P8 BLOWERS ONLY)

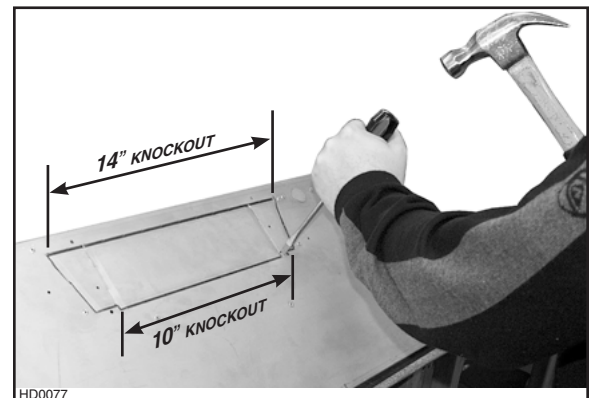
Remove the knockout for the chosen opening (horizontal at the back of the hood or vertical on rough-in plate). See pictures below.

### CAUTION

If using P5 blower, remove 10" wide knockout. If using P8 blower, remove either 10" or 14" wide knockout.



Removing horizontal knockout opening on back of hood.

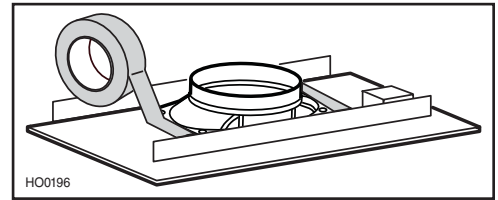


Removing vertical knockout opening on rough-in plate.



## 7. INSTALL THE ADAPTER/DAMPER (P3, P6 AND IQ6 BLOWERS ONLY)

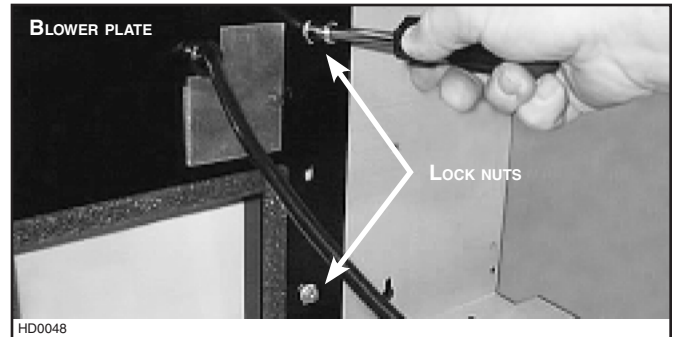
Attach 8" round adapter/damper to blower rough-in plate. Use metal duct tape to make all joints secure and air-tight.



## 8. INSTALL THE ROUGH-IN PLATE (ALL BLOWERS)

**INTERIOR BLOWER:** Secure the rough-in plate (provided with the blower) inside the hood with four lock nuts. See picture at right.

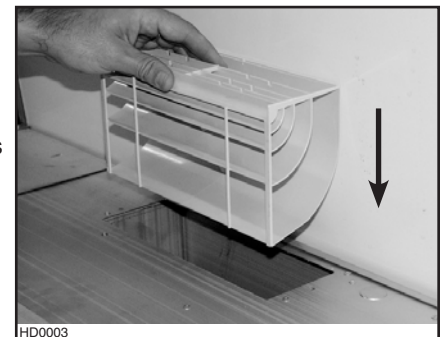
**EXTERIOR OR IN-LINE BLOWER:** Refer to instructions included with exterior or in-line blower rough-in kit. Secure the rough-in plate inside the hood with four lock nuts.



## 9. INSTALL THE DEVIATOR (P5 AND P8 BLOWERS, VERTICAL INSTALLATION ONLY)

**YOU MUST** install the deviator if you choose to vent the hood vertically. Install the deviator as shown.

**NOTE:** If installed correctly, the deviator will protrude about 1/8" above the rough-in plate.

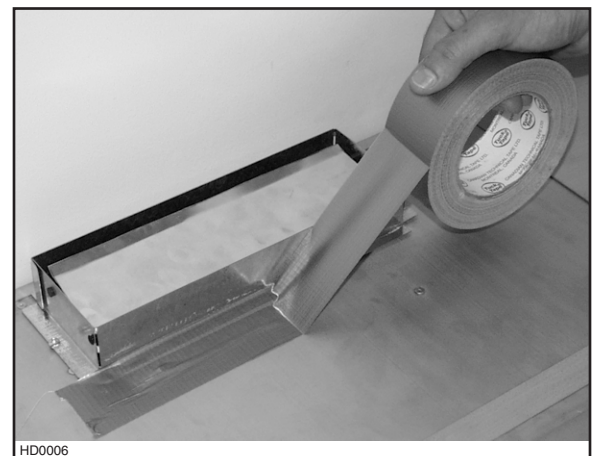
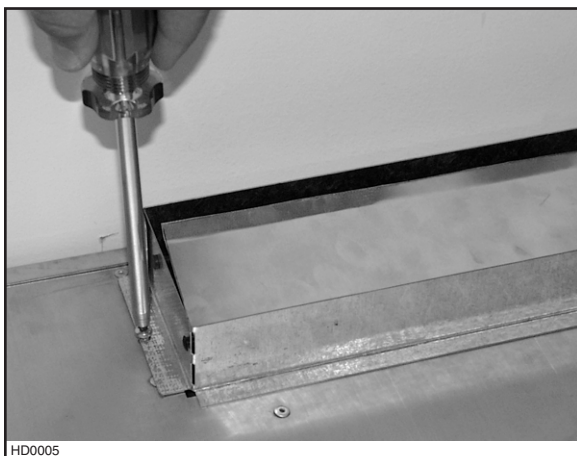


*Inserting deviator into hood vertical opening.*

## 10. INSTALL THE ADAPTER (P5 AND P8 BLOWERS ONLY)

Using provided screws, secure the adapter to the top (or back) of the hood. Seal the adapter to the hood using metal foil duct tape.

**NOTE:** For vertical exhaust, ensure that the damper pivot is located towards the front of the hood.





## 11. INSTALL THE HOOD (ALL BLOWERS)

### INTERIOR BLOWER

Run power cable to installation location. Place the hood to its location. Mark the position of the screws (smaller part of the key holes) with a pen. Remove the hood and install the (8) 1/2" double thread screws leaving a 1/8" gap (4 screws for 30" hood). Remove wiring cover, place the wire clamp, insert the cable in the hood and tighten the wire clamp to secure the cable. Place the hood under the cabinet and slide it in position. Make sure the adapter/damper assembly enters the ducting. Secure the hood by tightening the screws completely.



### IN-LINE OR EXTERIOR BLOWER

Run power cable to installation location. Place the hood to its location. Mark the position of the screws (smaller part of the key holes) with a pen. Remove the hood and install the (8) 1/2" double thread screws leaving a 1/8" gap (4 screws for 30" hood). Remove wiring cover on top of the hood and connect wiring (see instructions included with exterior blower). Place the hood under the cabinet and slide it in position. Secure the hood by tightening the screws completely.

## 12. CONNECT WIRING (ALL BLOWERS)

### ⚠ WARNING

**Risk of electric shock. Electrical wiring must be done by qualified personnel in accordance with all applicable codes and standards. Before connecting wires, switch power off at service panel and lock service disconnecting means to prevent power to be switched on accidentally.**

INTERIOR BLOWER: Connect cable into wiring box using wire connectors. Connect wires as follow: BLACK to BLACK, WHITE to WHITE and GREEN or bare wire under ground screw. Reinstall wiring cover.

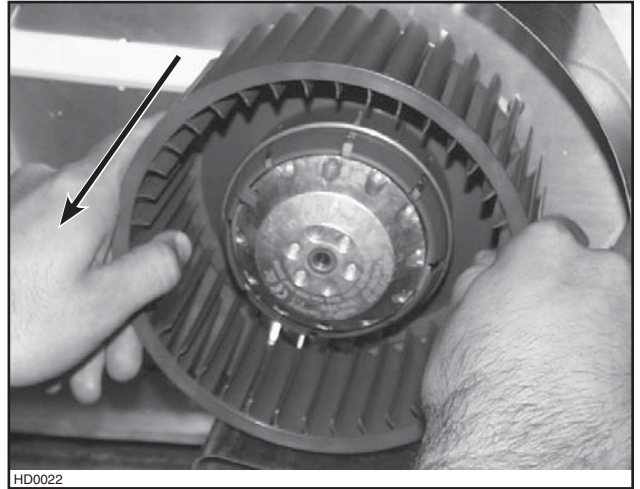
**DO NOT FORGET TO CONNECT THE GROUND.**



IN-LINE OR EXTERIOR BLOWER: Remove rough-in plate wiring cover and connect wiring (see instructions included with in-line or exterior blower).

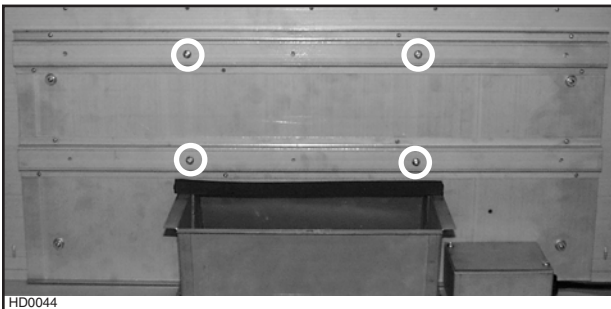
### 13. INSTALL THE BLOWER (P5 AND P8 BLOWERS ONLY)

The blower must be installed to the rough-in plate using four 3/8" screws. Remove the cover from the blower assembly. Remove the impeller(s) by pulling it (them) out gently (see pictures below).



Install screws into the location as shown in the pictures below (P5 or P8 blower). Do not tighten screws down fully, leave a 1/8" gap. Hang blower unit onto blower plate (screws through the large part of the keyhole). Slide the blower to its position (screws in the small part of the keyhole). Tighten the screws.

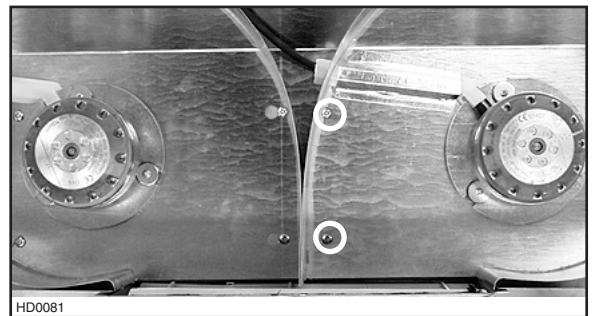
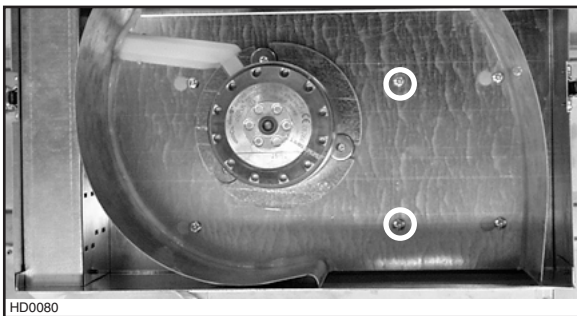
**P5 BLOWER**



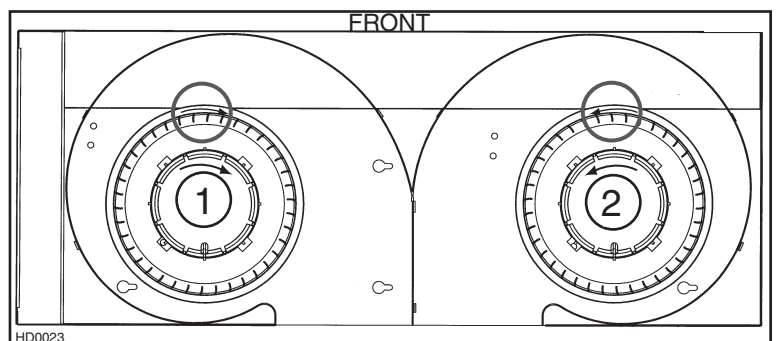
**P8 BLOWER**



Secure the blower by installing 2 more screws into the locations shown in the pictures below (P5 or P8 blower). Reinstall impeller(s) and cover.



FOR P8 DUAL BLOWER UNIT, ENSURE THE IMPELLERS ARE CORRECTLY INSTALLED; THE HOOD WILL NOT WORK PROPERLY IF REVERSED. Both impellers are different in the dual blower, one rotates clockwise and the other counterclockwise. Each wheel and motor have an arrow and a number on them, you have to match them correctly (see drawing at right).

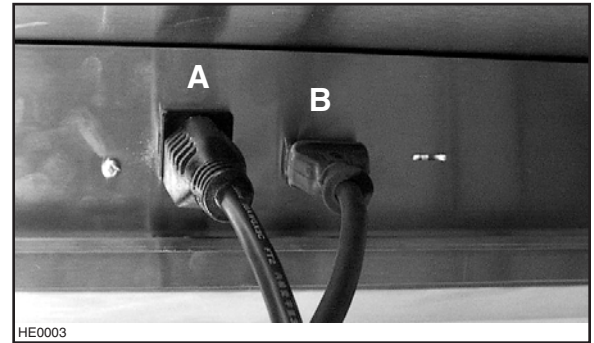


### 13. INSTALL THE BLOWER (P5 AND P8 BLOWERS ONLY) (CONT'D)

Plug the power supply to the 3-prong male connector (A) and the blower unit into the 2-prong female receptacle (B) inside the hood.

**⚠ WARNING**

**Never plug the 2-prong blower cord to the 3-prong power supply cord.**



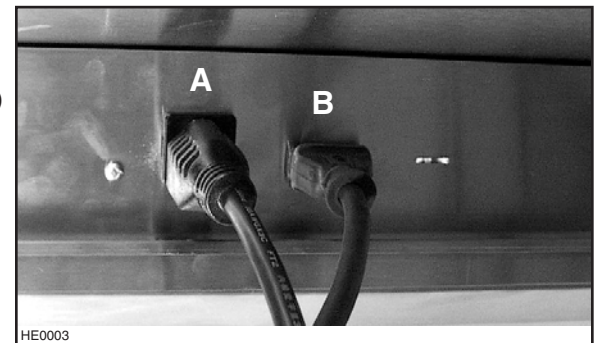
### 14. INSTALL THE BLOWER (P3, P6, iQ6 AND EXTERIOR BLOWERS ONLY)

Refer to instructions included with blower.

Once the blower is installed, plug the power supply to the 3-prong male connector (A) and the blower unit into the 2-prong female receptacle (B) inside the hood.

**⚠ WARNING**

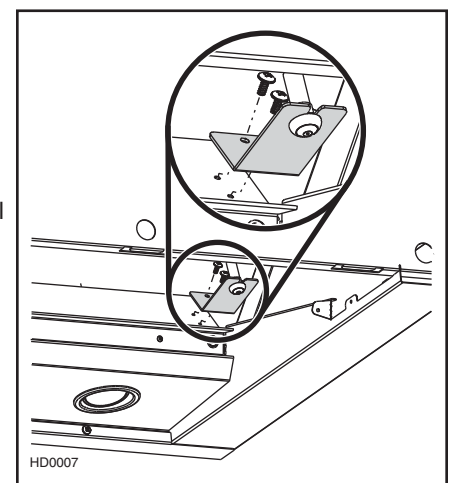
**Never plug the 2-prong blower cord to the 3-prong power supply cord.**



### 15. INSTALL THE CALIBRATION BUTTON BRACKET IN THE HOOD (iQ6 INTERIOR BLOWER ONLY)

The iQ6 blower is equipped with a calibration button already mounted to its own bracket. Install this bracket in the hood, using 2 screws provided with iQ6 interior blower.

See additional details in the iQ6 blower instructions included with the blower.



## 16. REINSTALL BOTTOM PANEL AND HYBRID BAFFLE FILTERS

### CAUTION

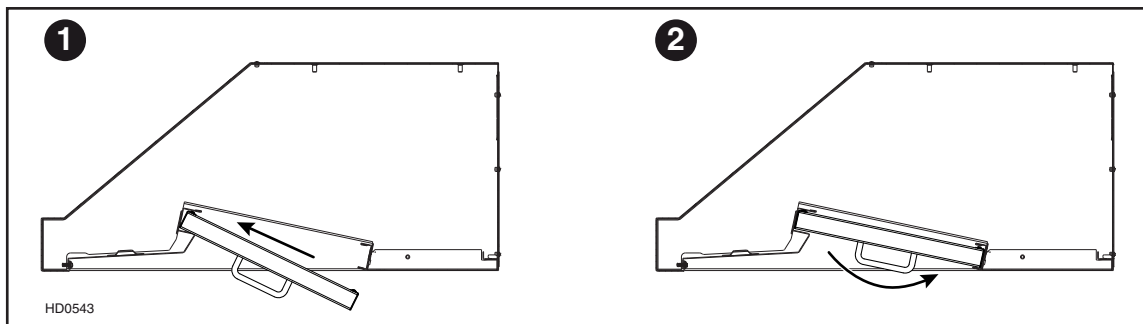
Remove protective plastic film covering filters before installing them.

Reinstall bottom panel using both retaining screws removed in step 5.

Reinstall filters. It is recommended to install side filters first and finish with center one(s).

- 1 Insert the end with filter spring clip of hybrid baffle filter into the upper channel of the hood.
- 2 Raise the other end toward the inside and insert in the grease drip rail of the hood.

Replacement filters are available from your dealer. See label inside hood for part number.



## 17. LIGHT BULBS REPLACEMENT

This hood requires 120 V, 50 W, MR16 with GU10 base or PAR16 with GU10 base, shielded halogen lamps (included).

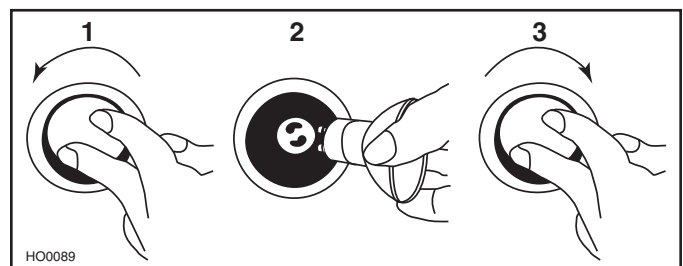
### ⚠ WARNING

**Do not touch lamps during or soon after operation. Burns may occur. In order to prevent the risk of personal injury, only install shielded halogen lamps. Also, never install a cool beam, a dichroic lamp, a lamp not suitable for use in recessed luminaires or identified for use in enclosed fixtures.**

1. To remove lamps, gently push upwards and turn counterclockwise to disengage bulb leads from their grooves.

NOTE: To ease removal of the bulbs, use a rubber dishwashing glove or use suction cup tool available from Best. Contact Best Customer Service at 1-800-558-1711 to order suction cup tool, part no. 99526707.

2. Install the new lamps by placing the bulb leads into their grooves in the socket.
3. Gently push upwards and turn clockwise until secure.



## 18. USE AND CARE

---

### **Hybrid baffle filters and impeller(s)\***

The hybrid baffle filters, impeller(s) and grease rail should be cleaned frequently. Use a warm detergent solution. Wash more often if your cooking style generates greater grease — like frying foods or wok cooking.

Remove filters by pushing filters towards the front of hood and rotating filters downward. Hybrid baffle filters and impeller(s) are dishwasher safe.

Clean all-metal filters in the dishwasher using a non-phosphate detergent. Discoloration of the filter may occur if using phosphate detergent or as a result of local water conditions — but this will not affect filter performance. This discoloration is not covered by the warranty.

\* Impeller(s) only on P5 and P8 blowers.

### **Hood cleaning**

Stainless steel cleaning:

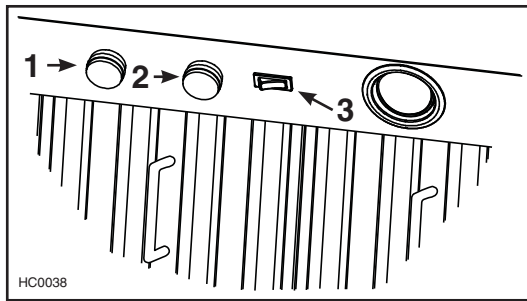
<b>Do:</b>	<b>Don't:</b>
<ul style="list-style-type: none"><li>• Regularly wash with clean cloth or rag soaked with warm water and mild soap or liquid dish detergent.</li><li>• Always clean in the direction of original polish lines.</li><li>• Always rinse well with clear water (2 or 3 times) after cleaning. Wipe dry completely.</li><li>• You may also use a specialized household stainless steel cleaner.</li></ul>	<ul style="list-style-type: none"><li>• Use any steel or stainless steel wool or any other scrapers to remove stubborn dirt.</li><li>• Use any harsh or abrasive cleansers.</li><li>• Allow dirt to accumulate.</li><li>• Let plaster dust or any other construction residues reach the hood. During construction/renovation, cover the hood to make sure no dust sticks to stainless steel surface.</li></ul>

### **Avoid when choosing a detergent:**

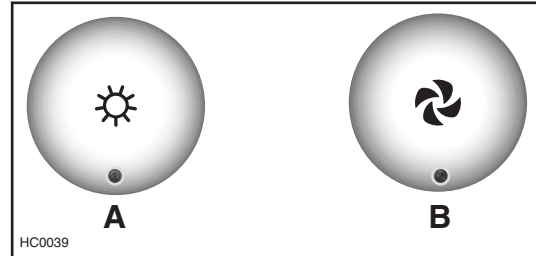
- Any cleaners that contain **bleach** will attack stainless steel.
- Any products containing: **chloride, fluoride, iodide, bromide** will deteriorate surfaces rapidly.
- Any combustible products used for cleaning such as **acetone, alcohol, ether, benzol**, etc., are highly explosive and should never be used close to a range.

## 19. OPERATION

Always turn your hood on before you begin cooking to establish an air flow in the kitchen. Let the blower run for a few minutes to clear the air after you turn off the range. This will help keep the whole kitchen cleaner and brighter.



- 1) HALOGEN LIGHT KNOB
- 2) BLOWER SPEED CONTROL KNOB
- 3) ON/OFF BLOWER SWITCH



- 1) HALOGEN LIGHT KNOB
- 2) BLOWER SPEED CONTROL KNOB

### COOKTOP LIGHTING (HALOGEN)

A rotary 3-position knob (1) controls the halogen lights (OFF - low intensity - high intensity).

### BLOWER

The blower is operated using two controls.

Use the on/off rocker switch (3) to start and stop the blower. When turned on, the blower operates at the previous setting of the speed control (2).

Turn the speed control knob counterclockwise to increase blower speed – clockwise to decrease speed.

### HEAT SENTRY™

This hood is equipped with a Heat Sentry™ thermostat. This thermostat is a device that will turn on or speed up the blower if it senses excessive heat above the cooking surface.

- 1) If blower is OFF - it turns blower ON to HIGH speed.
- 2) If blower is ON at a lower speed setting – it turns the blower up to HIGH speed.

### **⚠ WARNING**

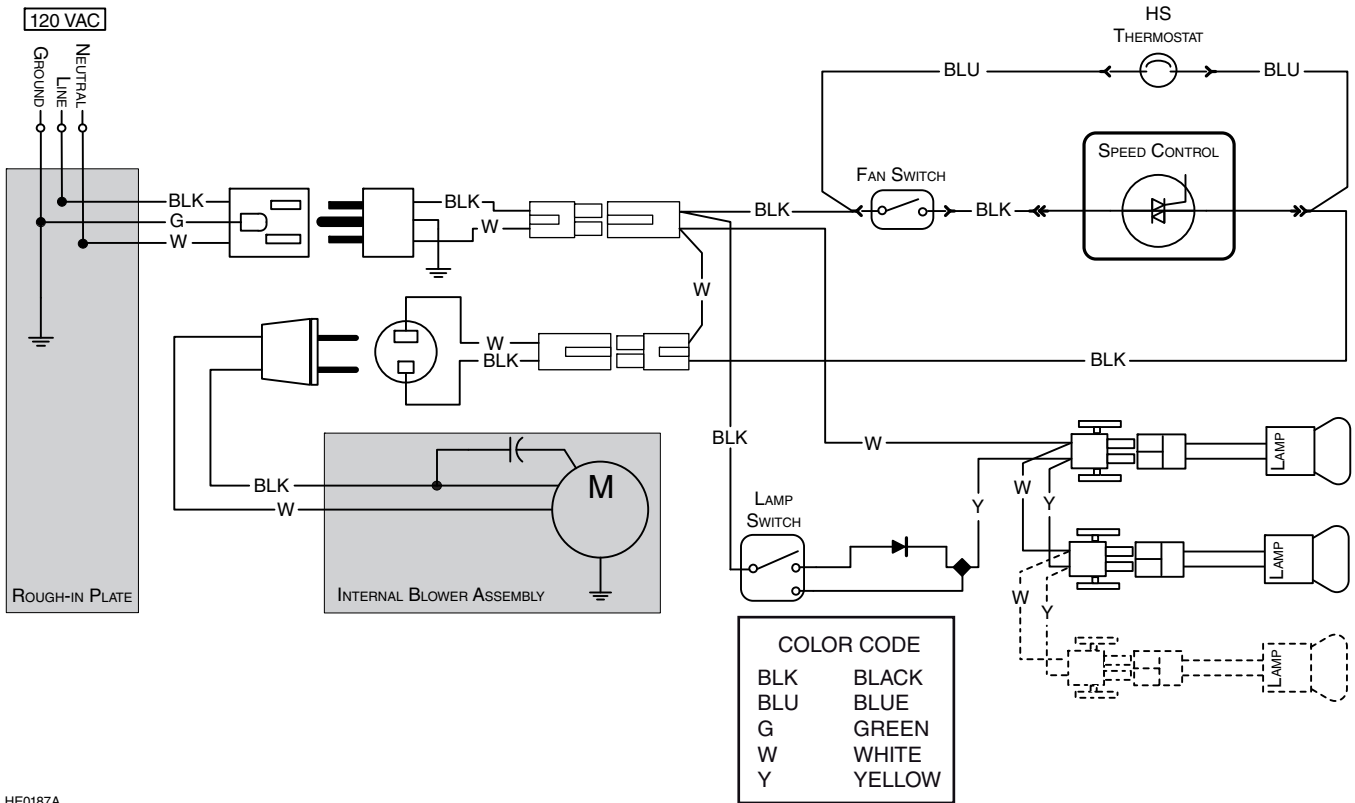
**The HEAT SENTRY can start the blower during a range top fire or other excessive heat situations even if the hood is turned off. In this case, it is impossible to turn the blower OFF with blower switch. If you must stop the blower, unplug the blower power cord (located behind the filters) from the hood by pulling on its 2-prong connector; do not pull on the wire.**

When the temperature level drops to normal, the blower will return to its original setting.



# 20. WIRING DIAGRAMS

## INTERIOR BLOWER

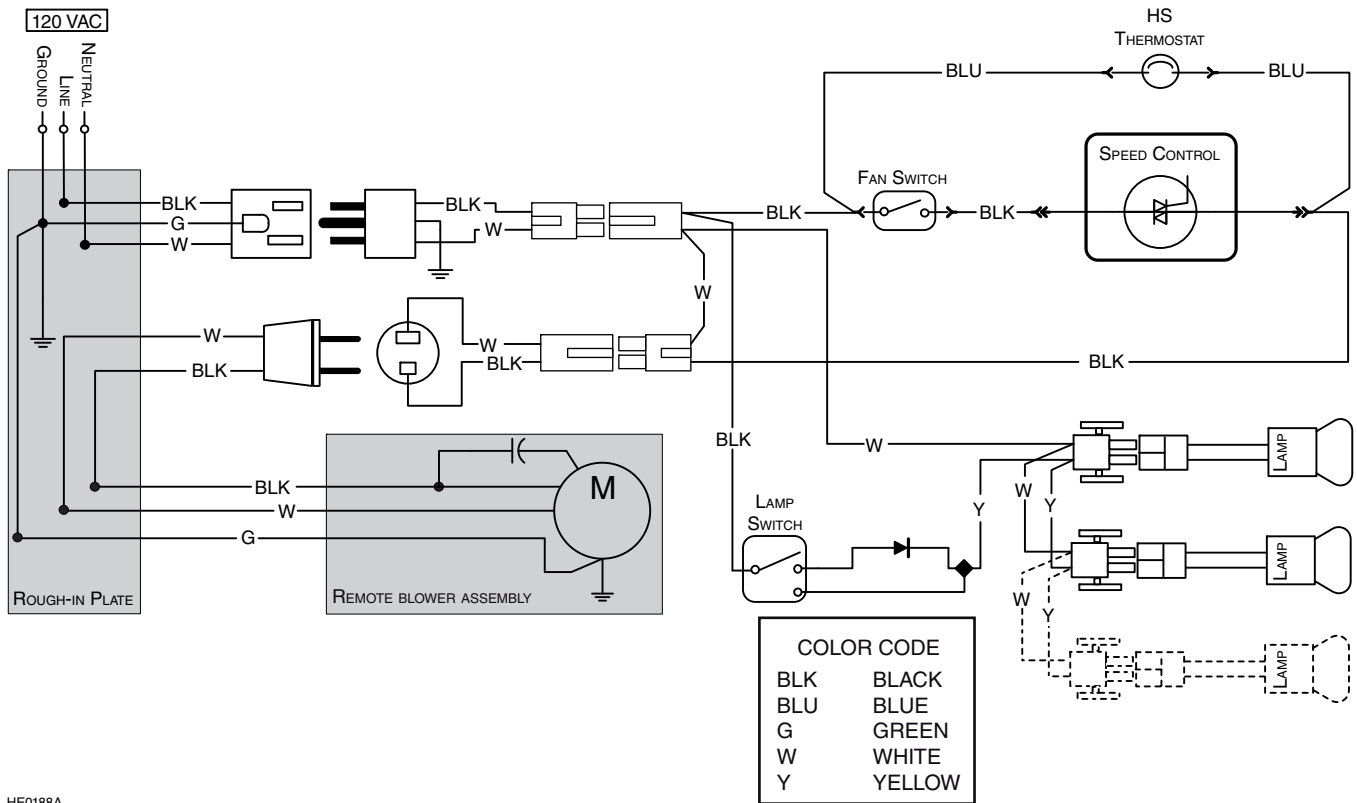


HE0187A



# 20. WIRING DIAGRAMS (CONT'D)

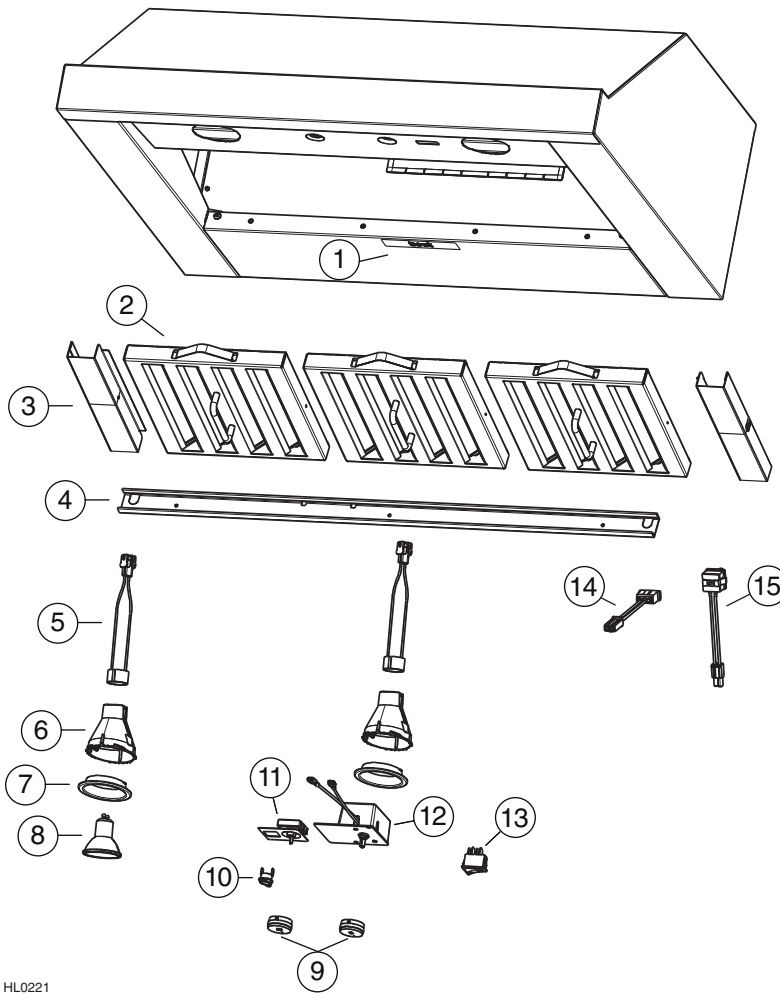
## IN-LINE OR EXTERIOR BLOWER



HE0188A

# 21. SERVICE PARTS

## Model UP26M



HL0221

### REPLACEMENT PARTS AND REPAIRS

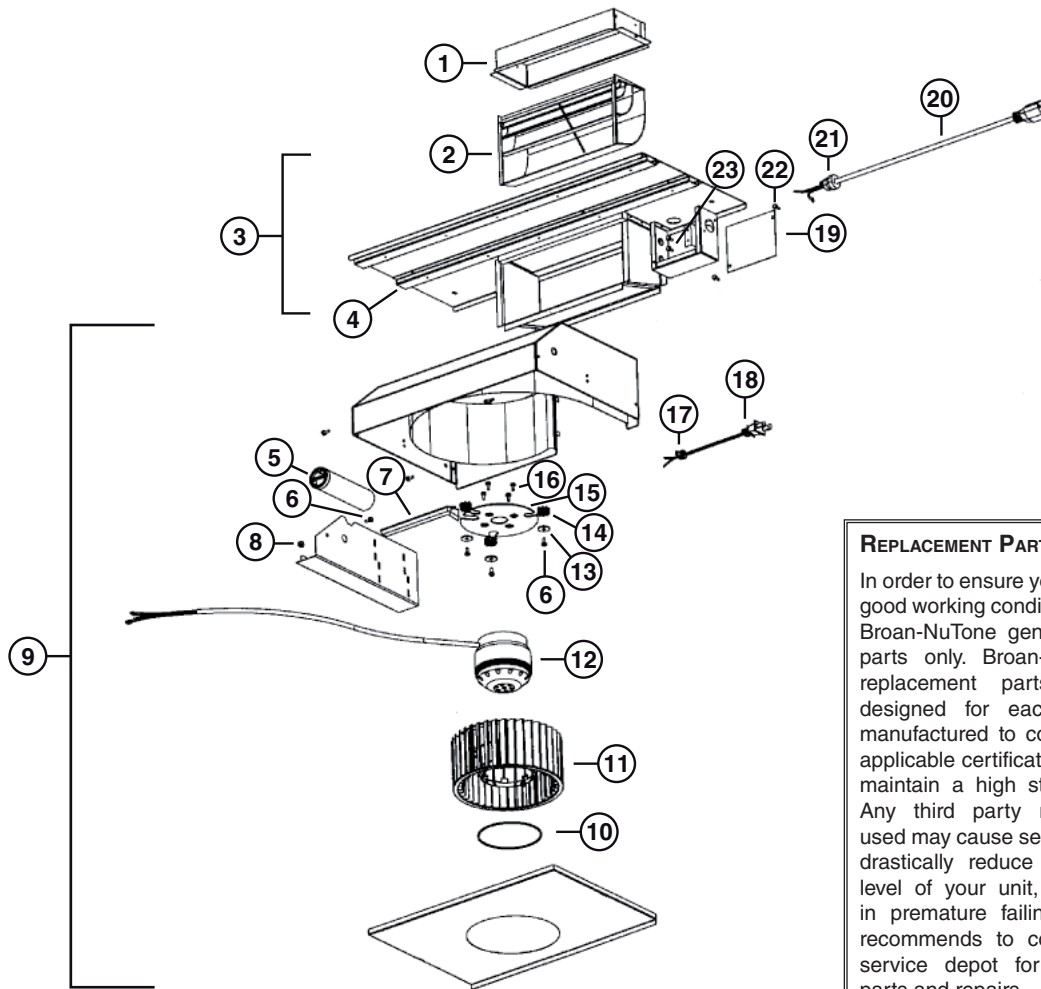
In order to ensure your unit remains in good working condition, you must use Broan-NuTone genuine replacement parts only. Broan-NuTone genuine replacement parts are specially designed for each unit and are manufactured to comply with all the applicable certification standards and maintain a high standard of safety. Any third party replacement part used may cause serious damage and drastically reduce the performance level of your unit, which will result in premature failing. Broan-NuTone recommends to contact a certified service depot for all replacement parts and repairs.

KEY NO.	PART NO.	DESCRIPTION	QTY. (HOOD WIDTH)			
			30"	36"	42"	48"
1	SV05869	BEST LOGO	1	1	1	1
2	SV61639	HYBRID BAFFLE FILTER 8.84" x 8.61" (INCLUDING HANDLE)	-	3	1	-
	SV61640	HYBRID BAFFLE FILTER 11.84" x 8.61" (INCLUDING HANDLE)	2	-	2	3
3	SV61691	FILTER FILLER 1.6" (PAIR)	-	1	1	-
	SV61679	FILTER FILLER 3" (PAIR)	-	-	-	1
4	SV61742	GREASE RAIL 30"	1	-	-	-
	SV61743	GREASE RAIL 36"	-	1	-	-
	SV61744	GREASE RAIL 42"	-	-	1	-
	SV61745	GREASE RAIL 48"	-	-	-	1
5	SV05917	SOCKET GU10	2	2	3	3
6	SV09435	SOCKET HOLDER GU10	2	2	3	3
7	SV09434	LIGHT TRIM, STAINLESS STEEL	2	2	3	3
8	SV05921	SHIELDED HALOGEN BULBS (50 W, 120 V, PAR16, GU10)	2	2	3	3
9	SV08578	BLOWER AND LIGHT KNOBS (2 KNOBS)	1	1	1	1
10	SV03435	THERMOSTAT	1	1	1	1
11	SV08338	LIGHT SWITCH	1	1	1	1
12	SV03501	SPEED CONTROL	1	1	1	1
13	SV08548	BLOWER ROCKER SWITCH	1	1	1	1
14	SV13923	FEMALE CONNECTOR	1	1	1	1
15	SV13924	MALE CONNECTOR	1	1	1	1
*	SV17645	THERMOSTAT BRACKET	1	1	1	1
*	SV21517	INSTALLATION GUIDE	1	1	1	1
*	SV13278	PARTS BAG: 4 LOCK NUTS NO. 10-32, 1 WIRE CLAMP LP16-AP, 2 NO. 6 x 1/2" SCREWS, 2 WIRE CONNECTORS NO. 74B, 6 NO. 8 x 3/8", 8 DOUBLE THREADED SCREWS 6-12 x 1/2"	1	1	1	1

\* NOT SHOWN.

## 21. SERVICE PARTS (CONT'D)

### SINGLE BLOWER/ROUGH-IN (Model P5)



HL0021

#### REPLACEMENT PARTS AND REPAIRS

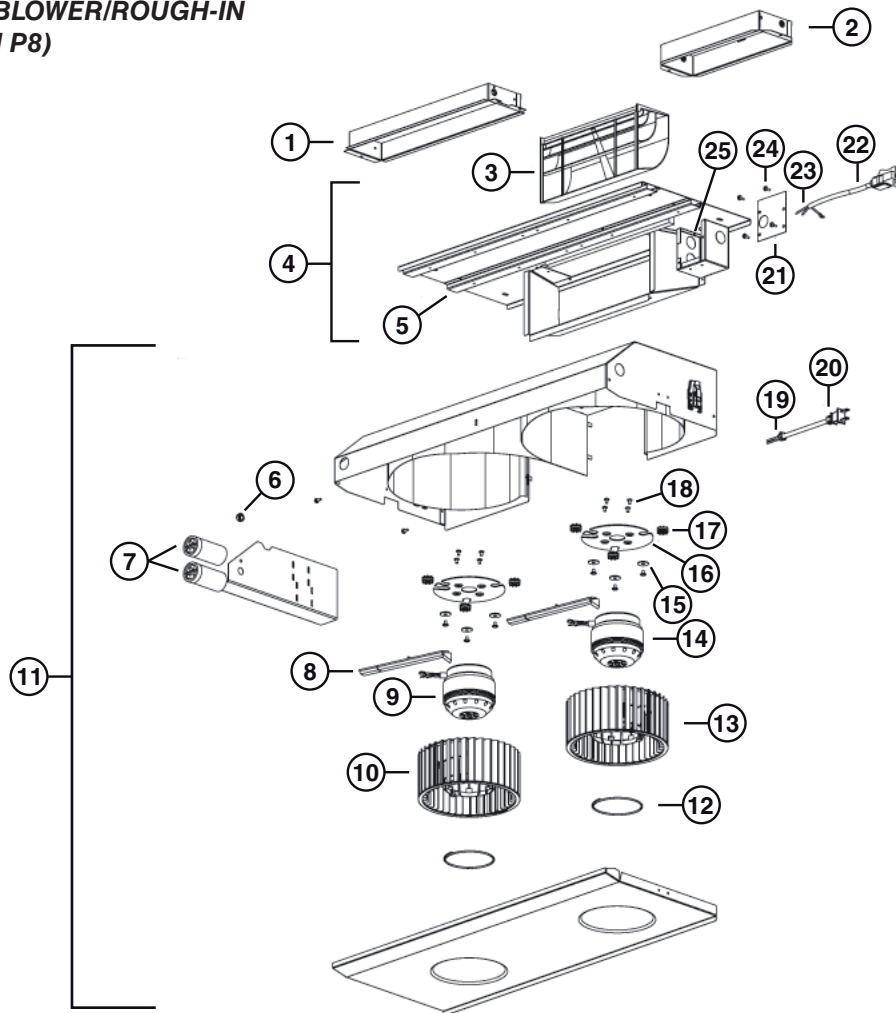
In order to ensure your unit remains in good working condition, you must use Broan-NuTone genuine replacement parts only. Broan-NuTone genuine replacement parts are specially designed for each unit and are manufactured to comply with all the applicable certification standards and maintain a high standard of safety. Any third party replacement part used may cause serious damage and drastically reduce the performance level of your unit, which will result in premature failing. Broan-NuTone recommends to contact a certified service depot for all replacement parts and repairs.

KEY NO.	PART NO.	DESCRIPTION	QTY.
1	SV13296	ADAPTER/DAMPER 3¼" x 10"	1
2	SV03500	AIR DEFLECTOR	1
3	SV12997	SINGLE BLOWER ROUGH-IN PLATE ASSEMBLY	1
4	SV03577	FOAM 1/2" x 1/2" x 12"	1
5	SV02160	CAPACITOR 15 µF	1
6	*	MACHINE SCREW NO. 6-32 x 1/4"	4
7	SV01857	WIRE COVER	1
8	*	LOCK NUT NO. 6-32	1
9	SV14973	SINGLE BLOWER ASSEMBLY	1
10	SV01810	IMPELLER RING	1
11	SV03400	BLOWER IMPELLER 7.094" x 3.375" CW	1
12	SV01766	MOTOR 165 W CW	1
13	*	WASHER 3/16" ID x 3/4" OD	3
14	SV02001	MOTOR GROMMET G-431-1	3
	*	8" TIE WRAP	2
15	SV11705	MOTOR MOUNT	1
	*	WIRE NO. 18 TEW BROWN x 10"	1
16	SV01927	METRIC SCREW M4 x 6 MM PAN QUADREX	4
17	SV03495	STRAIN RELIEF FOR BLOWER POWER CORD	1
18	SV03494	36" BLOWER POWER CORD	1
19	SV13230	OUTLET BOX COVER	1
20	SV03496	POWER CORD, 120 VOLTS	1
21	SV00660	STRAIN RELIEF FOR POWER CORD	1
22	*	SCREW NO. 8 x 3/8", T/B, NO. 8 HEAD	2
23	*	SCREW NO. 10-32 x 3/8", TF, GREEN	2

\* STANDARD HARDWARE—MAY BE PURCHASED LOCALLY.

## 21. SERVICE PARTS (CONT'D)

### DUAL BLOWER/ROUGH-IN (Model P8)



HL0022

#### REPLACEMENT PARTS AND REPAIRS

In order to ensure your unit remains in good working condition, you must use Broan-NuTone genuine replacement parts only. Broan-NuTone genuine replacement parts are specially designed for each unit and are manufactured to comply with all the applicable certification standards and maintain a high standard of safety. Any third party replacement part used may cause serious damage and drastically reduce the performance level of your unit, which will result in premature failing. Broan-NuTone recommends to contact a certified service depot for all replacement parts and repairs.

KEY NO.	PART NO.	DESCRIPTION	QTY.
1	SV14971	ADAPTER/DAMPER 3¼" x 14"	1
2	SV13296	ADAPTER/DAMPER 3¼" x 10"	1
3	SV03500	AIR DEFLECTOR	1
4	SV14975	DUAL BLOWER ROUGH-IN PLATE ASSEMBLY	1
5	SV03577	FOAM 1½" x 1½" x 12"	1
6	*	LOCK NUT NO. 6-32	1
7	SV02160	CAPACITOR 15 µF	2
8	SV01857	WIRE COVER	2
9	SV01766	MOTOR 165 W CW	1
10	SV03400	BLOWER IMPELLER, HOOD 7.094" x 3.375" CW	1
11	SV14974	DUAL BLOWER ASSEMBLY	1
12	SV01810	IMPELLER RING	2
13	SV03399	BLOWER IMPELLER, HOOD 7.094" x 3.375" CCW	1
14	SV03457	MOTOR 165 W CCW	1
15	*	WASHER 3/16" ID x 3/4" OD	6
	*	8" TIE WRAP	4
16	SV11705	MOTOR MOUNT	2
	*	WIRE NO. 18 TEW BROWN X 10"	2
17	SV02001	MOTOR GROMMET G-431-1	6
18	SV01927	METRIC SCREW SCREW M4 x 6 MM PAN QUADREX	8
19	SV03495	STRAIN RELIEF FOR BLOWER CORD	1
20	SV03494	36" BLOWER POWER CORD	1
21	SV14960	OUTLET BOX COVER	1
22	SV03496	POWER CORD, 120 VOLTS	1
23	SV00660	STRAIN RELIEF FOR POWER CORD	1
24	*	SCREW NO. 8 x 3/8", T/B, NO. 8 HEAD	4
25	*	SCREW NO. 10-32 x 3/8", TF, GREEN	2

\* STANDARD HARDWARE—MAY BE PURCHASED LOCALLY.

## 22. WARRANTY

### ONE-YEAR LIMITED WARRANTY

Broan-NuTone LLC (Broan-NuTone) warrants to the original consumer purchaser of Best products that such products will be free from defects in materials or workmanship for a period of one year from the date of original purchase. THERE ARE NO OTHER WARRANTIES, EXPRESS OR IMPLIED, INCLUDING, BUT NOT LIMITED TO, IMPLIED WARRANTIES OR MERCHANTABILITY OR FITNESS FOR A PARTICULAR PURPOSE.

During this one-year period, Broan-NuTone will, at its option, repair or replace, without charge, any product or part which is found to be defective under normal use and service.

THIS WARRANTY DOES NOT EXTEND TO FLUORESCENT LAMP STARTERS, TUBES, HALOGEN AND INCANDESCENT BULBS, FUSES, FILTERS, DUCTS, ROOF CAPS, WALL CAPS AND OTHER ACCESSORIES FOR DUCTING. This warranty does not cover (a) normal maintenance and service or (b) any products or parts which have been subject to misuse, negligence, accident, improper maintenance or repair (other than by Broan-NuTone), faulty installation or installation contrary to recommended installation instructions.

The duration of any implied warranty is limited to the one-year period as specified for the express warranty. Some states or provinces do not allow limitation on how long an implied warranty lasts, so the above limitation may not apply to you.

**BROAN-NUTONE'S OBLIGATION TO REPAIR OR REPLACE, AT BROAN-NUTONE'S OPTION, SHALL BE THE PURCHASER'S SOLE AND EXCLUSIVE REMEDY UNDER THIS WARRANTY. BROAN-NUTONE SHALL NOT BE LIABLE FOR INCIDENTAL, CONSEQUENTIAL OR SPECIAL DAMAGES ARISING OUT OF OR IN CONNECTION WITH PRODUCT USE OR PERFORMANCE. Some states or provinces do not allow the exclusion or limitation of incidental or consequential damages, so the above limitation or exclusion may not apply to you.**

This warranty gives you specific legal rights, and you may also have other rights, which vary from state to state or province to another. This warranty supersedes all prior warranties.

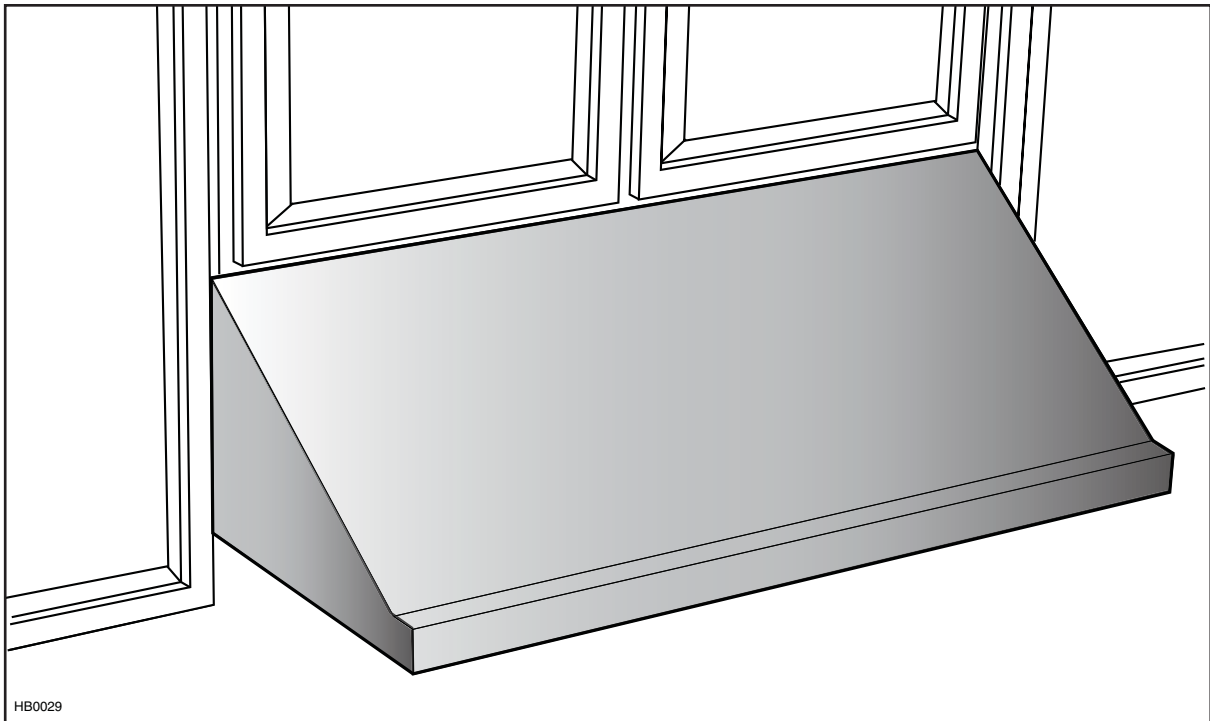
To qualify for warranty service, you must (a) notify Broan-NuTone at the address or telephone number stated below, (b) give the model number and part identification and (c) describe the nature of any defect in the product or part. At the time of requesting warranty service, you must present evidence of the original purchase date.

**In USA - Best®**, 926 W. State Street, Hartford, WI 53027 (800-558-1711)

**In Canada - Best®**, 550 Lemire Blvd., Drummondville, QC, Canada, J2C 7W9 (866-737-7770)

[www.BestRangeHoods.com](http://www.BestRangeHoods.com)

# best®



## SÉRIE UP26M

⚠ CONÇUE POUR USAGE DOMESTIQUE SEULEMENT ⚠

**LIRE ET CONSERVER CES DIRECTIVES**

INSTALLATEUR : LAISSER CE GUIDE AU PROPRIÉTAIRE.  
PROPRIÉTAIRE : DIRECTIVES D'UTILISATION ET D'ENTRETIEN  
EN PAGES 28 ET 29.

BEST; Hartford, Wisconsin [www.BestRangeHoods.com](http://www.BestRangeHoods.com) 800 558-1711  
BEST; Drummondville, QC, Canada [www.BestRangeHoods.com](http://www.BestRangeHoods.com) 866 737-7770

Pour enregistrer votre produit en ligne ou pour obtenir plus d'information, consultez notre site [www.BestRangeHoods.com](http://www.BestRangeHoods.com)

## **⚠️ AVERTISSEMENT**

### **AFIN DE RÉDUIRE LES RISQUES D'INCENDIE, D'ÉLECTROCUTION OU DE BLESSURES CORPORELLES, SUIVEZ LES DIRECTIVES SUIVANTES :**

1. N'utilisez cet appareil que de la façon prévue par le fabricant. Si vous avez des questions, contactez le fabricant à l'adresse ou au numéro de téléphone indiqués dans la garantie.
2. Avant de réparer ou de nettoyer l'appareil, couper l'alimentation électrique en verrouillant le panneau de distribution afin d'éviter sa remise en marche accidentelle. Si le panneau de distribution ne peut être verrouillé, y fixer un avertissement en évidence, telle qu'une étiquette de couleur vive.
3. Les travaux d'installation et de raccordement électrique doivent être effectués par une personne qualifiée, conformément aux codes et aux standards de construction, incluant ceux concernant la protection contre les incendies.
4. Une quantité d'air adéquate est requise afin d'assurer une bonne combustion et l'évacuation des gaz par la cheminée dans le cas des équipements alimentés au gaz afin de prévenir les retours de cheminée. Conformez-vous aux instructions et aux standards de sécurité des fabricants d'équipement de chauffage, tel qu'ils sont publiés par la National Fire Protection Association (NFPA) et l'American Society for Heating, Refrigeration and Air Conditioning Engineers (ASHRAE) ainsi que les responsables des codes locaux.
5. Veillez à ne pas endommager le câblage électrique ou d'autres équipements non apparents lors de la découpe ou du perçage du mur ou du plafond.
6. Les ventilateurs avec conduits doivent toujours évacuer l'air à l'extérieur.
7. Ne pas utiliser cet appareil avec une commande de vitesse à semi-conducteur additionnelle.
8. Afin de réduire les risques d'incendie, n'utilisez que des conduits de métal.
9. Cet appareil doit être mis à la terre.
10. Lorsqu'une réglementation est en vigueur et qu'elle comporte des exigences d'installation et/ou de certification plus restrictives, lesdites exigences prévalent sur celles de ce document et l'installateur entend s'y conformer à ses frais.

### **AFIN DE RÉDUIRE LES RISQUES DE FEU DE CUISINIÈRE :**

- a) Ne jamais laisser les appareils de cuisson sans surveillance lorsqu'ils sont réglés à feu vif. Les débordements engendrent de la fumée et des déversements graisseux pouvant s'enflammer. Chauffez l'huile lentement, à feu doux ou moyen.
- b) Mettez toujours la hotte en marche lorsque vous cuisinez à feu vif ou que vous cuisinez des mets flambés (par ex. : crêpes Suzette, cerises jubilé, steaks au poivre flambés).
- c) Nettoyez régulièrement la (les) roue(s) du ventilateur. Ne laissez pas la graisse s'accumuler sur le ventilateur, les filtres ou les conduits d'évacuation.
- d) Utilisez le bon format de casserole. Servez-vous toujours de casseroles et d'ustensiles appropriés à la dimension de la surface chauffante.

## **⚠️ AVERTISSEMENT**

### **AFIN D'ÉVITER TOUT RISQUE DE BLESSURES LORS D'UN FEU DE CUISINIÈRE, SUIVEZ CES DIRECTIVES\* :**

1. Éteignez les flammes avec un couvercle hermétique, une tôle à biscuits ou un plateau métallique et ensuite, éteindre le brûleur. **PRENEZ SOIN D'ÉVITER les brûlures. SI LES FLAMMES NE S'ÉTEignent PAS IMMÉDIATEMENT, ÉVACUEZ LES LIEUX ET APPELEZ LES POMPIERS.**
2. **NE PRENEZ JAMAIS UNE CASSEROLE EN FLAMMES DANS VOS MAINS.** Vous pourriez vous brûler.
3. **N'UTILISEZ PAS D'EAU**, incluant un linge à vaisselle ou une serviette mouillée, cela pourrait occasionner une violente explosion de vapeur.
4. N'utilisez un extincteur **QUE DANS LE CAS OÙ :**
  - A. Vous savez qu'il s'agit d'un extincteur de classe ABC et que vous en connaissez le fonctionnement.
  - B. L'incendie est petit et limité à l'endroit où il a débuté.
  - C. Les pompiers ont été avisés.
  - D. Vous pouvez combattre l'incendie en ayant accès à une sortie de secours.

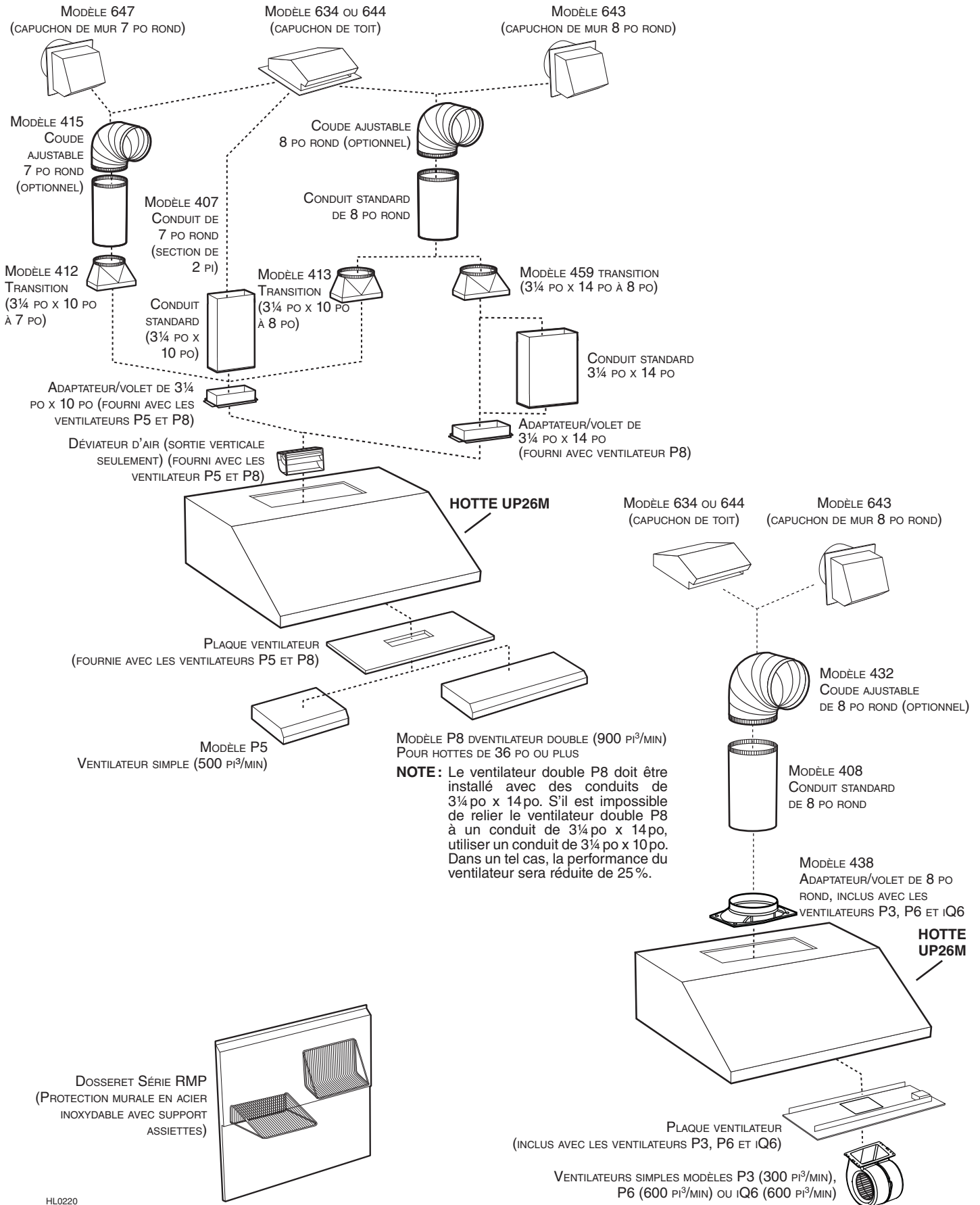
\*Tirées du Kitchen Fire Safety Tips publié par la NFPA.

## **ATTENTION**

1. Pour une utilisation à l'intérieur seulement.
2. Pour usage domestique seulement. Ne pas utiliser pour évacuer des vapeurs ou des matières dangereuses ou explosives.
3. Afin d'éviter tout dommage au moteur et de débalancer ou de rendre bruyante la roue du moteur, garder votre appareil à l'abri des poussières de gypse et de construction/rénovation, etc.
4. Le moteur de votre hotte possède une protection thermique qui éteindra automatiquement le moteur s'il devient surchauffé. Le moteur redémarrera automatiquement une fois refroidi. Si le moteur continue à arrêter et à redémarrer, faites-le vérifier.
5. La distance minimale entre le bas de votre hotte et la surface de cuisson ne doit pas être inférieure à 24 po. Un maximum de 36 po au-dessus de la surface de cuisson est fortement recommandé pour une meilleure évacuation des odeurs de cuisson.
6. Deux installateurs sont recommandés lors de l'installation vu la grande dimension et le poids de cet appareil.
7. Afin de réduire les risques d'incendie, assurez-vous d'évacuer l'air à l'extérieur. Ne pas évacuer l'air dans des espaces restreints comme l'intérieur des murs ou plafond ou dans le grenier, faux plafond ou garage.
8. Cet appareil est équipé d'un thermostat pouvant faire démarrer le ventilateur automatiquement. Afin de réduire le risque de blessure, couper le courant à partir du panneau électrique et le verrouiller ou apposer un avertissement sur le panneau afin de prévenir que la hotte ne soit mise en marche accidentellement.
9. À cause de la grande capacité d'évacuation de cet appareil, il est recommandé d'ouvrir une fenêtre dans ou près de la cuisine afin de remplacer l'air évacué.
10. Afin de réduire les risques d'incendie et d'électrocution, la hotte Best de série UP26M doit être installée uniquement avec le ventilateur intérieur Best iQ6, P3, P5, P6 ou P8; ou l'un des ventilateurs extérieurs Best suivants : EB6, EB9, EB12 ou EB15; ou l'un des ventilateurs en ligne Best suivants : ILB3, ILB6, ILB9 ou ILB11 (vendus séparément). Aucun autre ventilateur ne doit être utilisé.
11. Veuillez consulter l'autocollant apposé à l'intérieur du produit pour plus d'information ou autres exigences.

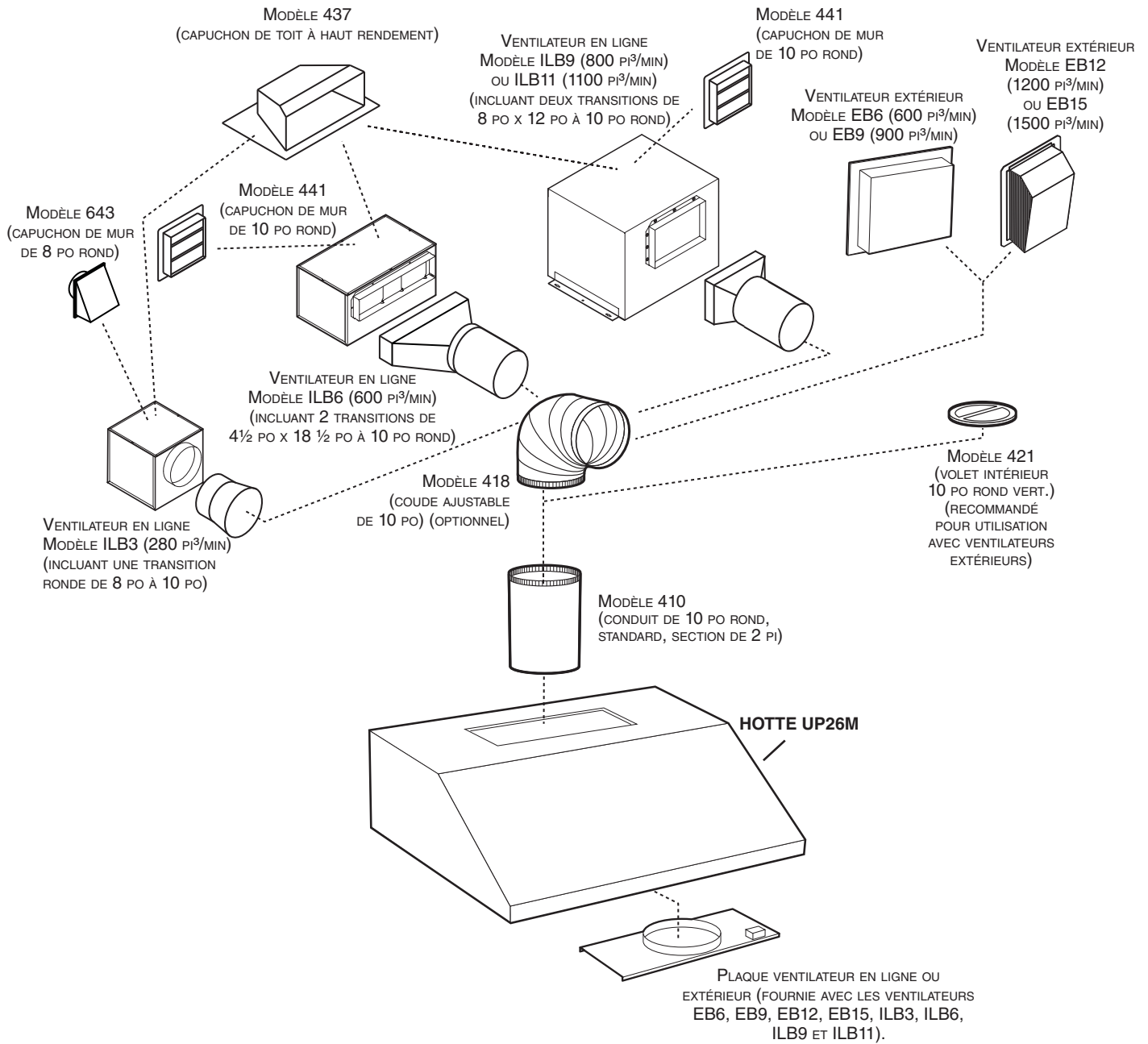


# - SYSTÈME DE HOTTE DE CUISINIÈRE DE SÉRIE UP26M - VENTILATEURS INTÉRIEURS

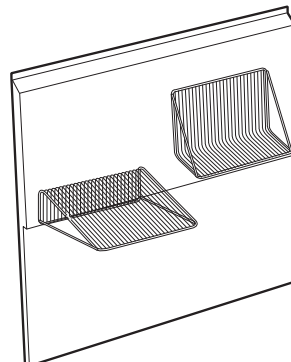


HL0220

# - SYSTÈME DE HOTTE DE CUISINIÈRE DE SÉRIE UP26M - VENTILATEURS EN LIGNE OU EXTÉRIEURS



**DOSSERET SÉRIE RMP**  
(PROTECTION MURALE EN ACIER INOXYDABLE AVEC SUPPORT ASSIETTES)



# 1. SÉLECTIONNER L'OPTION VENTILATEUR ET INSTALLER LES CONDUITS

Cette hotte fonctionne autant avec un ventilateur intérieur, en ligne ou extérieur. La hotte Best de la série UP26M doit être installée uniquement avec l'un des ventilateurs suivants : iQ6, P3, P5, P6, P8, ILB3, ILB6, ILB9, ILB11, EB6, EB9, EB12 ou EB15 (vendus séparément). Aucun autre ventilateur ne peut être utilisé.

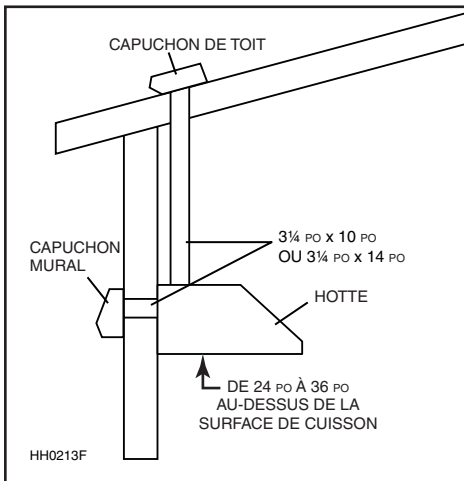
Déterminer à quel endroit et de quelle façon les conduits seront installés.

**Si un ventilateur en ligne est installé, se reporter aux directives fournies avec celui-ci et suivre les étapes 1 à 3, 5, 8, 11, 12, 16 et suivantes de ce guide.**

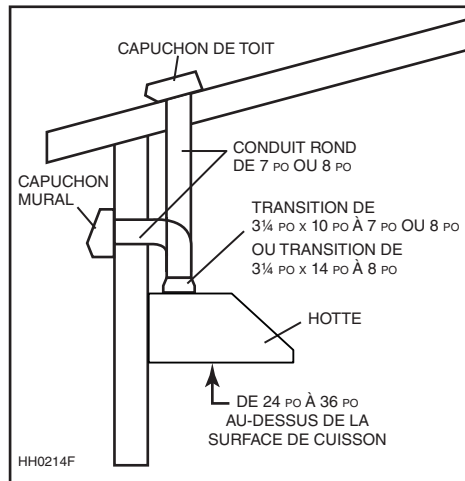
Installer des conduits de dimension adéquate, coude(s) et capuchon de mur ou de toit selon le type de ventilateur. Si des conduits circulaires de 7 po ou de 8 po sont utilisés, se servir d'une transition. Utiliser du ruban adhésif de métal de 2 po pour assurer l'étanchéité des joints.

**La distance minimale entre le bas de votre hotte et la surface de cuisson ne doit pas être inférieure à 24 po. Un maximum de 36 po au-dessus de la surface de cuisson est fortement recommandé pour une meilleure évacuation des odeurs de cuisson.**

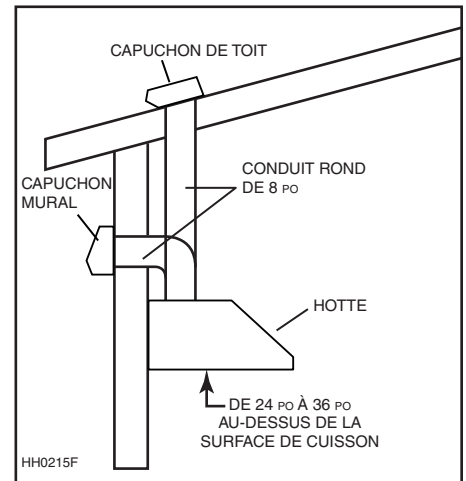
Une distance de plus de 36 po demeure à la discrétion de l'installateur et de l'utilisateur.



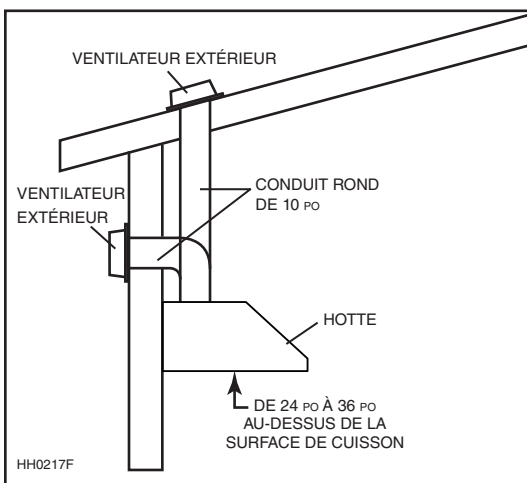
**INSTALLATION DE CONDUITS RECTANGULAIRES AVEC VENTILATEUR INTÉRIEUR MODÈLE P5 (SIMPLE) OU P8 (DOUBLE)**



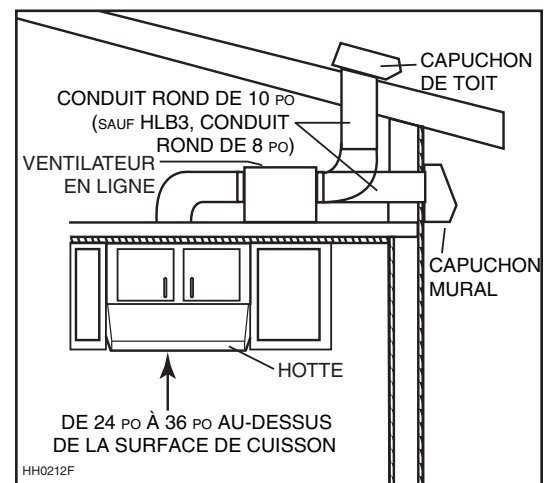
**INSTALLATION DE CONDUITS CIRCULAIRES DE 7 PO OU DE 8 PO AVEC VENTILATEUR INTÉRIEUR MODÈLE P5 (SIMPLE) OU P8 (DOUBLE)**



**INSTALLATION DE CONDUITS CIRCULAIRES DE 8 PO AVEC VENTILATEUR INTÉRIEUR MODÈLE P3, P6 ou iQ6**



**INSTALLATION TYPE AVEC VENTILATEUR EXTÉRIEUR MODÈLE EB6, EB9, EB12 OU EB15**



**INSTALLATION TYPE AVEC VENTILATEUR EN LIGNE MODÈLE ILB3, ILB6, ILB9 OU ILB11**

## 2. PRÉPARER L'INSTALLATION

### ⚠ AVERTISSEMENT

Il est recommandé de porter des lunettes et des gants de sécurité lors de l'installation, de l'entretien et de la réparation de cet appareil.

NOTE : Avant de commencer l'installation, vérifier le contenu de la boîte. Si des pièces sont manquantes ou endommagées, contacter le manufacturier.

S'assurer que les articles suivants soient inclus :

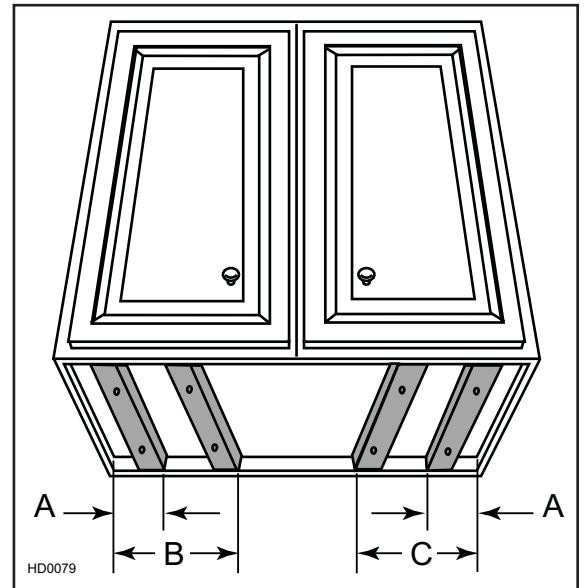
- Hotte
- Accessoires :
  - Filtres à chicane avec poignées
  - Ampoules halogènes avec écran (120 V, 50 W, MR16 ou PAR16 à culot GU10)
  - Sac de pièces incluant : 4 écrous à bride n° 10-32, 1 serre-fils LP16-AP, 2 capuchons de connexion n° 74B, 8 vis double filets 6-12 x 1/2 po, 6 vis n° 8 x 3/8 po, 2 vis n° 6 x 1/2 po.

Pièces vendues séparément :

- Ventilateur interne, modèle P5 ou P8, incluant ventilateur, plaque ventilateur, déviateur et adaptateur 3¼ po x 10 po ou 3¼ po x 14 po
- Ventilateur interne, modèle iQ6, P3 ou P6, incluant ventilateur, plaque ventilateur, adaptateur/volet
- Ensemble ventilateur en ligne, modèles ILB3, ILB6, ILB9 ou ILB11 (tous incluant la plaque ventilateur et la (les) transition(s))
- Ensemble ventilateur extérieur, modèles EB6, EB9, EB12 ou EB15 (tous incluant la plaque ventilateur)
- Dossieret (optionnel)
- Transitions, conduits, coudes, volets, capuchons de mur ou de toit. Consulter les pages 23 et 24 pour la liste complète des accessoires de ventilation et les numéros de modèle.

NOTE : Si le fond de l'armoire est en retrait, y fixer des baguettes de bois (non fournies) de chaque côté. Pour une hotte de 30 po de largeur, utiliser 2 baguettes de 2 po de largeur et, pour une hotte plus large, 4 baguettes de longueur appropriée. Voir ci-dessous pour l'emplacement des baguettes.

LARGEUR DE HOTTE	EMPLACEMENT		
	A	B	C
30 PO	2 PO	S.O.	S.O.
36 PO	2 PO	4½ PO	4½ PO
42 PO	2 PO	7¼ PO	8¼ PO
48 PO	4 PO	10¼ PO	11¼ PO



## 3. INSTALLER LE DOSSERET (OPTIONNEL)

Le dossieret doit être installé avant la hotte, puisque celle-ci couvre les vis d'installation du dossieret. Afin de pouvoir installer le dossieret, s'assurer d'avoir 18 po entre le dessous de la hotte et le panneau de commande de la cuisinière ou de la surface de cuisson. (Voir les instructions fournies avec le dossieret.)

## 4. SÉLECTIONNER L'OPTION VENTILATEUR (EXTÉRIEUR OU INTÉRIEUR)

VENTILATEUR INTÉRIEUR : Suivre toutes les étapes subséquentes de ce guide.

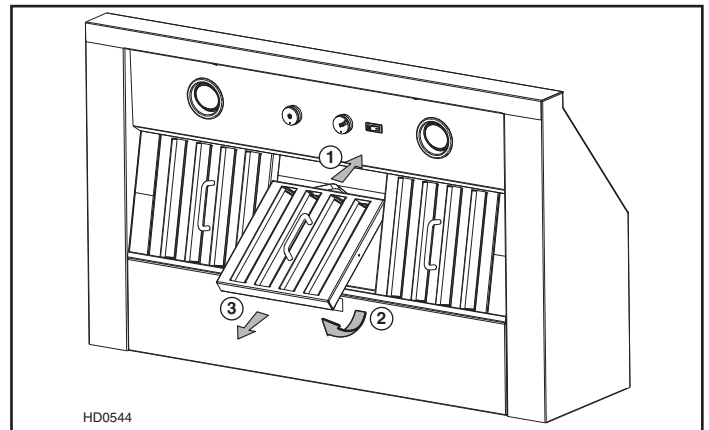
VENTILATEUR EXTÉRIEUR : Voir les instructions fournies avec le ventilateur extérieur et suivre les étapes 5, 8, 11, 12, 16 et suivantes du présent guide.

## 5. RETIRER LES FILTRES ET LE PANNEAU INFÉRIEUR (TOUS LES VENTILATEURS)

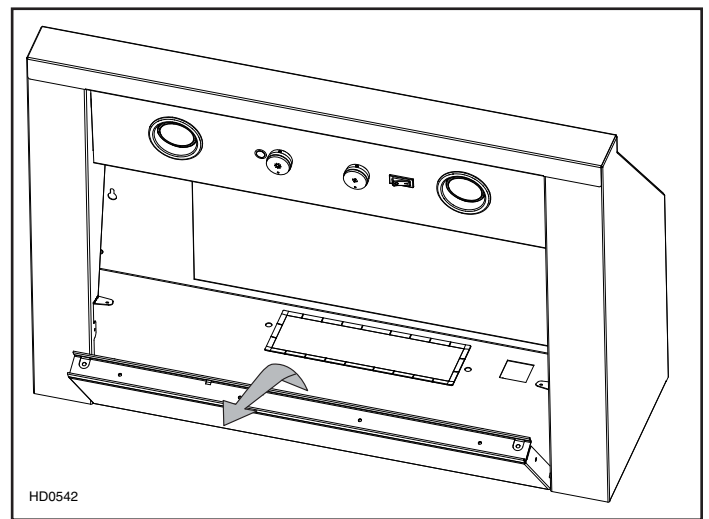
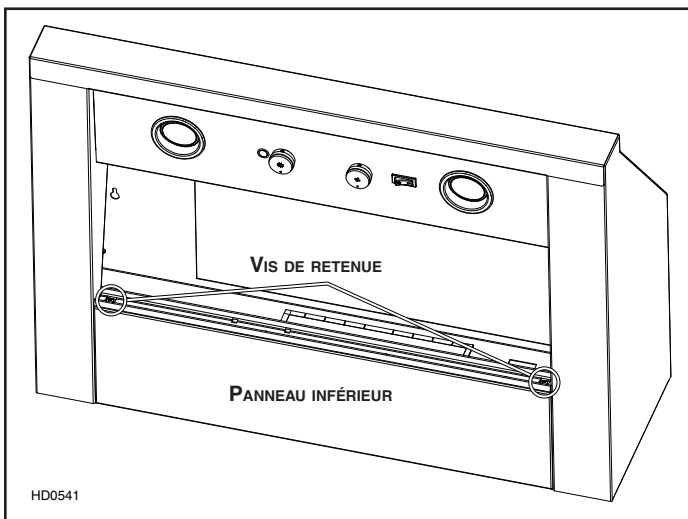
Poser le dos de la hotte à plat sur une table. Placer au préalable un morceau de carton pour éviter d'endommager la table et la hotte.

Retirer le ruban adhésif des filtres. Retirer les filtres et les mettre de côté.

NOTE : Il est recommandé de commencer par le(s) filtre(s) du centre.



Retirer les deux vis de retenue du panneau inférieur. Mettre le panneau inférieur et ses vis de côté.

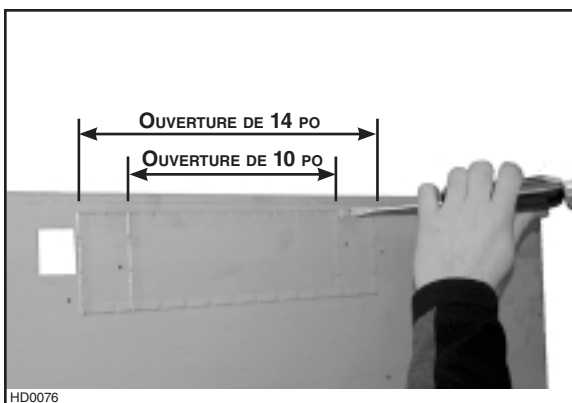


## 6. CHOISIR L'OUVERTURE (VENTILATEURS P5 ET P8 SEULEMENT)

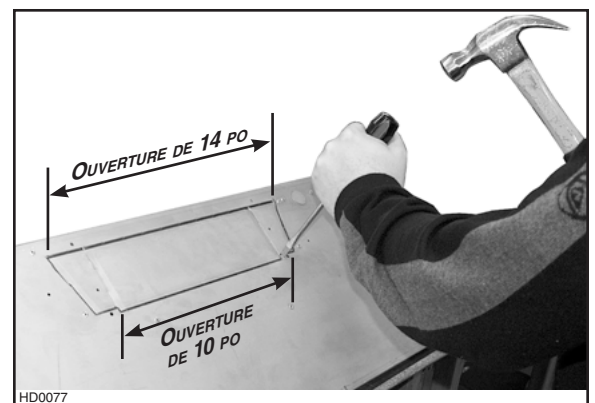
Retirer l'ouverture préamorcée choisie pour la sortie d'air de la hotte (horizontale à l'arrière de la hotte ou verticale sur la plaque du ventilateur). Voir les photos ci-dessous.

### ATTENTION

Si un ventilateur P5 est installé, retirer l'ouverture préamorcée de 10 po de largeur. Si un ventilateur P8 est installé, retirer l'ouverture préamorcée de 10 po ou celle de 14 po de largeur.



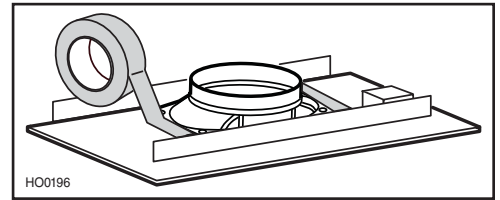
Retrait de l'ouverture préamorcée à l'arrière de la hotte.



Retrait de l'ouverture préamorcée sur la plaque du ventilateur.

## 7. ASSEMBLER L'ADAPTATEUR/VOLET (VENTILATEURS P3, P6 ET IQ6 SEULEMENT)

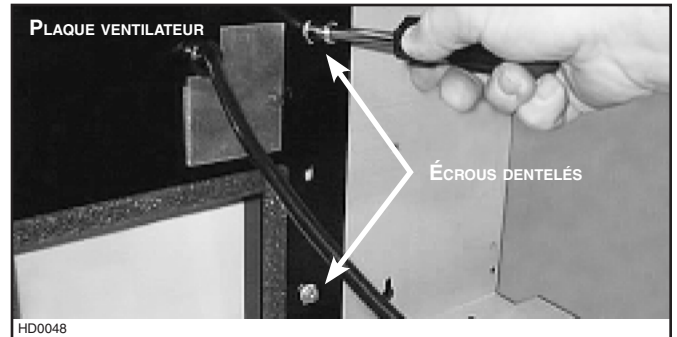
Assembler l'adaptateur/volet de 8 po à la plaque du ventilateur.  
Sceller tous les joints avec du ruban à conduits.



## 8. INSTALLER LA PLAQUE VENTILATEUR (TOUS LES VENTILATEURS)

**VENTILATEUR INTÉRIEUR :** Installer la plaque (fournie avec le ventilateur) à l'intérieur de la hotte en utilisant 4 écrous dentelés tel qu'il est illustré ci-contre.

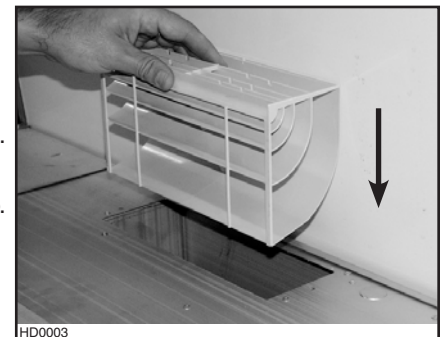
**VENTILATEUR EXTÉRIEUR OU EN LIGNE :** Voir les instructions fournies avec la plaque ventilateur du ventilateur extérieur ou en ligne. Installer la plaque à l'intérieur de la hotte en utilisant 4 écrous dentelés.



## 9. INSTALLER LE DÉVIATEUR (VENTILATEURS P5 ET P8, INSTALLATION VERTICALE SEULEMENT)

Si la hotte est montée de façon à évacuer l'air verticalement, **le déviateur doit être installé.** Installer le déviateur tel qu'il est illustré.

NOTE : Il est normal que le déviateur n'entre pas entièrement dans la hotte; il dépasse d'environ 1/8 po.

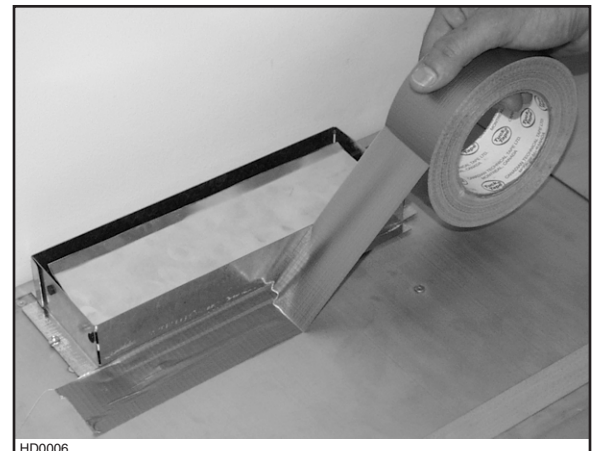
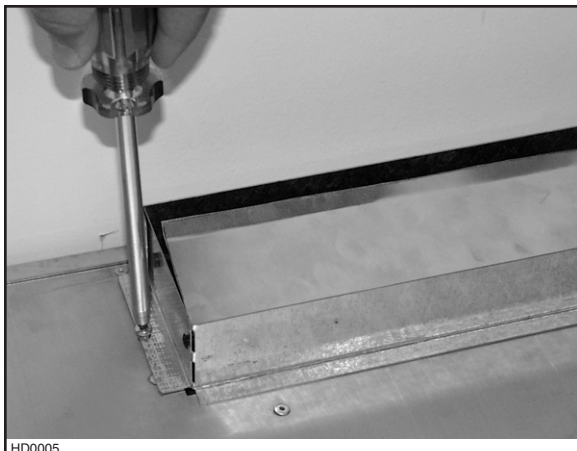


Insertion du déviateur dans l'ouverture verticale.

## 10. INSTALLER L'ADAPTATEUR (VENTILATEURS P5 ET P8 SEULEMENT)

Installer l'adaptateur sur le dessus (ou à l'arrière) de la hotte à l'aide des vis fournies. Puis, sceller hermétiquement l'adaptateur à l'aide de ruban adhésif de métal.

NOTE : Pour l'évacuation verticale, s'assurer que le pivot du volet est situé vers l'avant de la hotte.





## 11. INSTALLER LA HOTTE (TOUS LES VENTILATEURS)

### VENTILATEUR INTÉRIEUR

Passer l'alimentation électrique jusqu'à l'endroit de l'installation de la hotte. Placer la hotte à son emplacement. Marquer la position des vis (petite partie du trou en forme de poire) à l'aide d'un crayon. Retirer la hotte et installer les 8 vis de 1/2 po double filet en laissant un espace de 1/8 po (4 vis pour la hotte de 30 po). Retirer le couvercle de la boîte électrique et y insérer le serre-fil. Passer le câble électrique dans la hotte et serrer la vis du serre-fil à l'entrée de la hotte pour maintenir les fils en place. Placer la hotte sous l'armoire (les vis passent à travers la grosse partie des trous) et glisser la hotte en position. S'assurer que l'adaptateur entre dans le conduit. Visser complètement les vis pour maintenir la hotte en position.



### VENTILATEUR EXTÉRIEUR OU EN LIGNE

Passer l'alimentation électrique jusqu'à l'endroit de l'installation de la hotte. Placer la hotte à son emplacement. Marquer la position des vis (petite partie du trou en forme de poire) à l'aide d'un crayon. Retirer la hotte et installer les 8 vis de 1/2 po double filet en laissant un espace de 1/8 po (4 vis pour la hotte de 30 po). Retirer le couvercle de la boîte électrique située sur le dessus de la hotte et effectuer le branchement électrique (voir les instructions fournies avec le ventilateur en ligne ou extérieur). Placer la hotte sous l'armoire (les vis passent à travers la grosse partie des trous) et glisser la hotte en position. Visser complètement les vis pour maintenir la hotte en position.

## 12. BRANCHEMENTS ÉLECTRIQUES (TOUS LES VENTILATEURS)

### ⚠ AVERTISSEMENT

**Risque d'électrocution. Le raccordement électrique doit être effectué par du personnel qualifié conformément aux codes et aux standards en vigueur. Avant d'effectuer le branchement, coupez l'alimentation électrique au panneau de distribution et verrouillez-le pour éviter une mise en marche accidentelle.**

**VENTILATEUR INTÉRIEUR :** Brancher les fils à la boîte de jonction en utilisant les capuchons de connexion. Connecter le fil NOIR au NOIR, le BLANC au BLANC et le VERT ou dénudé à la vis de mise à la terre.  
Refermer le couvercle.

**NE PAS OUBLIER DE CONNECTER LA MISE À LA TERRE.**



**VENTILATEUR EN LIGNE OU EXTÉRIEUR :** Retirer le couvercle de la boîte de jonction de la plaque ventilateur et effectuer le branchement électrique (voir les directives fournies avec le ventilateur en ligne ou extérieur).

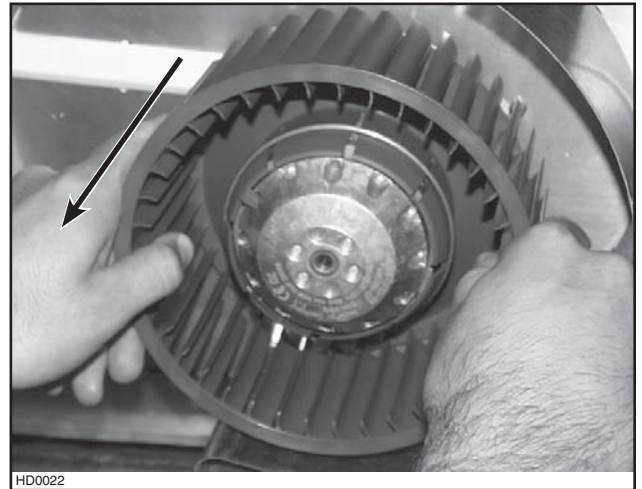


### 13. INSTALLER LE VENTILATEUR (VENTILATEURS P5 ET P8 SEULEMENT)

Le ventilateur doit être installé à la plaque ventilateur en utilisant 4 vis de 3/8 po. Retirer le couvercle du ventilateur. Puis, retirer la (les) roue(s) du ventilateur en tirant délicatement (voir photos ci-dessous).



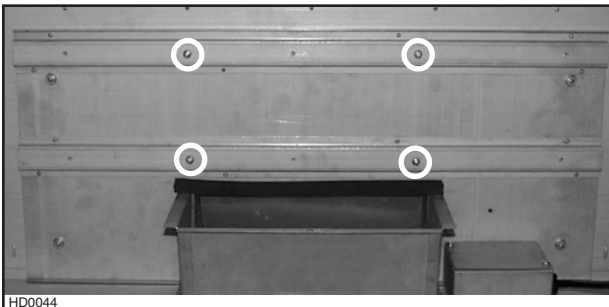
HD0021



HD0022

Installer les vis aux endroits indiqués sur les photos ci-dessous (ventilateur P5 ou P8), en laissant un espace d'environ 1/8 po. Accrocher ensuite le ventilateur à la plaque ventilateur (passer les têtes de vis à travers la grande partie des trous). Glisser ensuite le ventilateur en position (les têtes de vis dans la petite partie des trous). Serrer complètement les vis.

**VENTILATEUR P5**



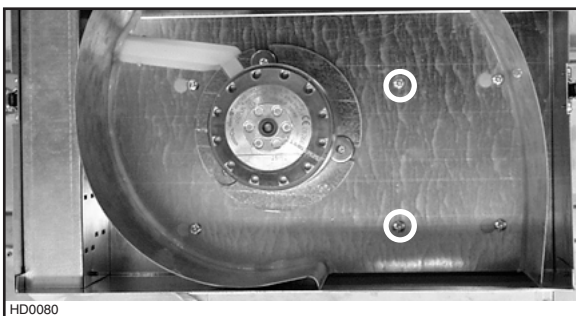
HD0044

**VENTILATEUR P8**

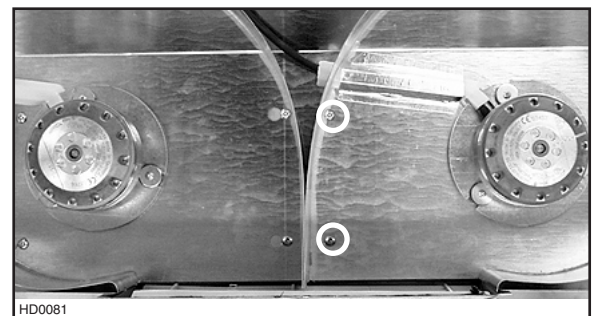


HD0045

Terminer la fixation du ventilateur à l'aide de 2 autres vis aux endroits indiqués sur les photos ci-dessous (ventilateur P5 ou P8). Remettre en place la (les) roue(s) du ventilateur et le couvercle.

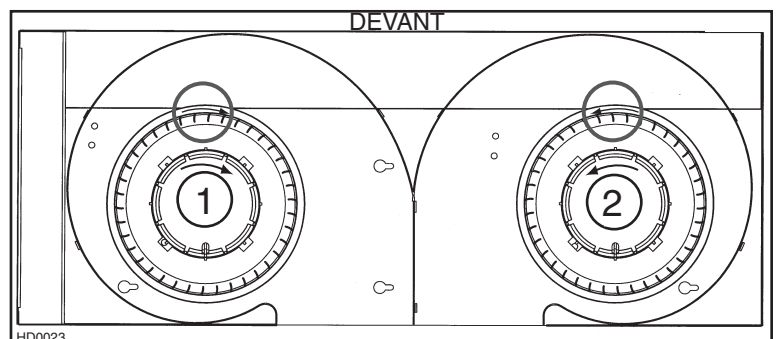


HD0080



HD0081

POUR LE VENTILATEUR DOUBLE, S'ASSURER QUE LES ROUES SOIENT CORRECTEMENT REPLACÉES; LA HOTTE NE FONCTIONNERA PAS NORMALEMENT SI ELLES SONT INVERSÉES. Le ventilateur double possède deux roues différentes; une doit tourner dans le sens des aiguilles d'une montre et l'autre dans le sens contraire des aiguilles d'une montre. Chaque roue et moteur portent une flèche et un numéro, vous devez les assortir correctement. (Voir le dessin ci-contre.)



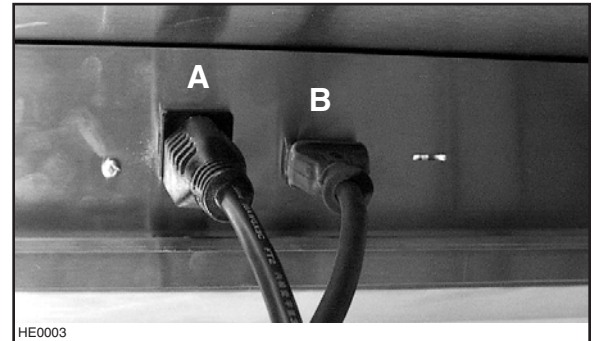
HD0023

### 13. INSTALLER LE VENTILATEUR (VENTILATEURS P5 ET P8 SEULEMENT)(SUITE)

Brancher le cordon de la boîte de jonction (A) à la fiche à 3 broches et le ventilateur (B) à la prise derrière le panneau de commande à l'intérieur de la hotte.

#### **⚠ AVERTISSEMENT**

**Ne jamais brancher le fil électrique du ventilateur à la prise femelle du cordon d'alimentation.**

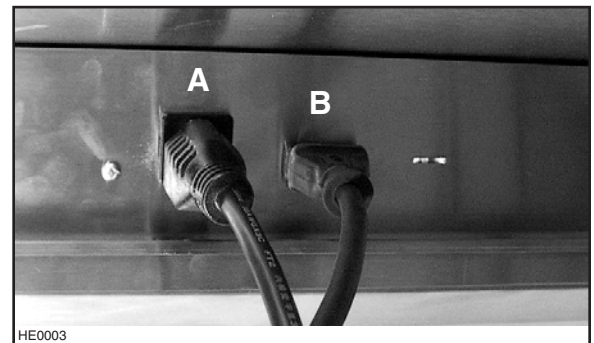


### 14. INSTALLER LE VENTILATEUR (VENTILATEURS P3, P6, IQ6 ET EXTÉRIEURS SEULEMENT)

Pour installer le ventilateur, voir les instructions comprises avec celui-ci. Une fois installé, brancher le cordon de la boîte de jonction (A) à la fiche à 3 broches et le ventilateur (B) à la prise derrière le panneau de commande à l'intérieur de la hotte.

#### **⚠ AVERTISSEMENT**

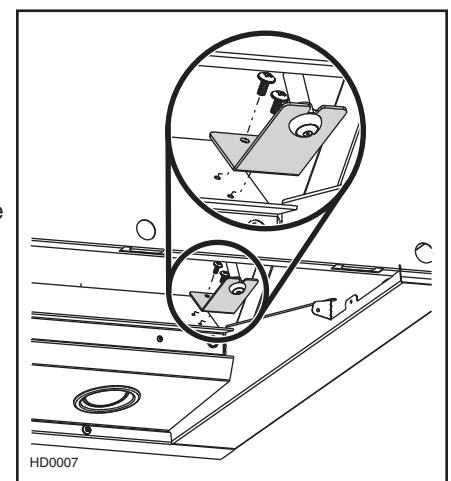
**Ne jamais brancher ensemble le fil du ventilateur au fil d'alimentation de la hotte.**



### 15. INSTALLER LE SUPPORT DU BOUTON DE CALIBRATION DANS LA HOTTE (VENTILATEUR INTÉRIEUR IQ6 SEULEMENT)

Le ventilateur iQ6 est muni d'un bouton de calibration déjà monté sur son support. Installer ce support dans la hotte à l'aide des 2 vis incluses avec le ventilateur intérieur iQ6.

Voir les détails additionnels dans les directives incluses avec le ventilateur iQ6.



## 16. RÉINSTALLER LE PANNEAU INFÉRIEUR LES FILTRES À CHICANES HYBRIDES

### ATTENTION

Avant d'installer les filtres à chicane, retirer le plastique protecteur de ceux-ci.

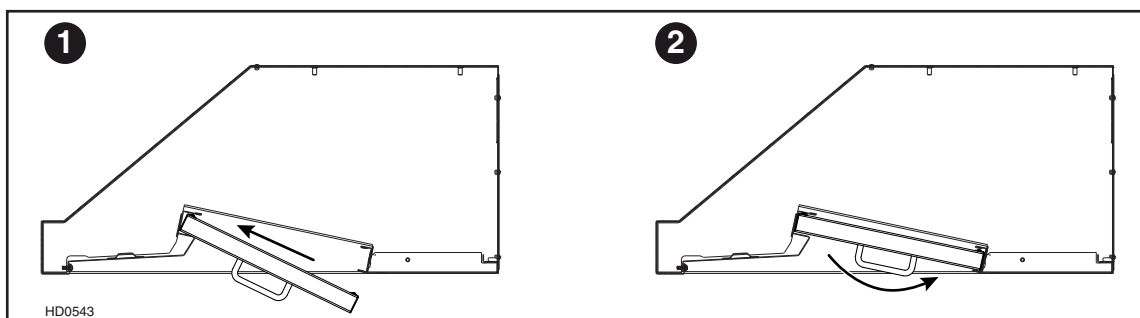
Réinstaller le panneau inférieur à l'aide des deux vis de retenues retirées à l'étape 5.

Réinstaller les filtres. Il est recommandé d'installer d'abord les filtres situés aux extrémités et de terminer par le(s) filtre(s) du centre.

❶ Introduire l'extrémité du filtre avec le ressort de filtre dans le rail supérieur de la hotte.

❷ Lever l'autre bout du filtre à l'intérieur de la hotte et l'introduire dans la gouttière.

Les filtres de remplacement sont offerts chez votre marchand. Voir l'étiquette à l'intérieur de la hotte pour le numéro de pièce.



## 17. REMPLACEMENT DES LAMPES HALOGÈNES

L'éclairage de cette hotte est produit par des ampoules halogènes avec écran (120 V, 50 W, MR16 ou PAR16 avec culot GU10) fournies.

### ⚠ AVERTISSEMENT

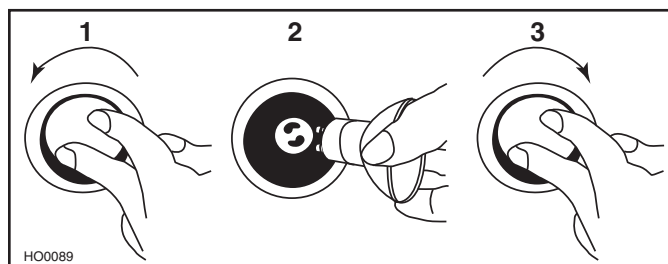
**Ne pas toucher aux lampes durant ou peu après leur utilisation. Peuvent causer des brûlures. Afin de réduire le risque de blessures corporelles, n'installer que des ampoules halogènes avec écran. Aussi, ne jamais installer une ampoule à faisceau froid, dichroïque, non conçue pour des luminaires encastrés ou conçue uniquement pour des luminaires fermés.**

1. Pour retirer les ampoules, pousser doucement vers le haut et tourner dans le sens contraire des aiguilles d'une montre pour désengager les conducteurs hors de leur rainure.

NOTE: Pour obtenir une meilleure prise de l'ampoule lors de son retrait, utiliser un gant à vaisselle ou la ventouse de Best. Contacter le service à la clientèle de Best au 1 800 558-1711 pour commander la ventouse, numéro de pièce 99526707.

2. Installer les nouvelles ampoules en glissant leurs conducteurs dans les rainures, à l'intérieur des douilles.

3. Pousser doucement vers le haut et tourner dans le sens des aiguilles d'une montre jusqu'à ce que les ampoules soient bien en place.



## 18. ENTRETIEN

---

### **Filtres à chicane hybride et roue(s) de ventilateur\***

Les filtres, la gouttière et la (les) roues de ventilateur doivent être fréquemment nettoyés. Utiliser une solution d'eau chaude et de détergent. Nettoyer les filtres à chicane hybrides plus souvent si vos habitudes de cuisson génèrent plus de graisse, comme par exemple la friture ou les aliments sautés au wok.

Pousser les filtres à chicane vers l'intérieur de la hotte et les désengager hors de la gouttière, puis les retirer de la hotte. Les filtres et la (les) roue(s) peuvent être nettoyés au lave-vaisselle.

Nettoyer les filtres fabriqués entièrement de métal au lave-vaisselle à l'aide d'un détergent sans phosphate. L'utilisation d'un détergent avec phosphates ainsi que les conditions locales de l'eau peuvent entraîner une décoloration des filtres, sans toutefois affecter leur performance. Cette décoloration n'est pas couverte par la garantie.

\* Roue(s) de ventilateur des modèles P5 et P8 seulement.

### **Nettoyage de la hotte**

Acier inoxydable :

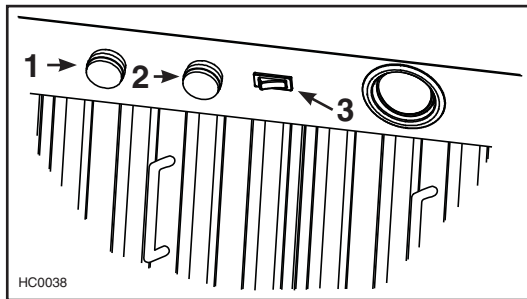
<b>À faire :</b>	<b>À ne pas faire :</b>
<ul style="list-style-type: none"><li>• Laver régulièrement les surfaces à l'aide d'un chiffon ou linge propre imbibé d'eau tiède et de savon doux ou de détergent liquide à vaisselle.</li><li>• Toujours nettoyer dans le sens du polissage.</li><li>• Toujours bien rincer avec de l'eau claire (2 à 3 fois) et essuyer complètement.</li><li>• Un nettoyant domestique conçu spécialement pour l'acier inoxydable peut aussi être utilisé.</li></ul>	<ul style="list-style-type: none"><li>• Ne pas utiliser de laine d'acier ou d'acier inoxydable ou tout autre grattoir pour enlever la saleté tenace.</li><li>• Ne pas utiliser une poudre nettoyante abrasive ou rugueuse.</li><li>• Ne pas laisser la saleté s'accumuler.</li><li>• Ne pas laisser la poussière de plâtre ou tout autre résidu de construction atteindre la hotte. Couvrir la hotte pour la durée des travaux afin de s'assurer qu'aucune poussière n'atteigne la hotte.</li></ul>

### **À éviter lors du choix d'un détergent :**

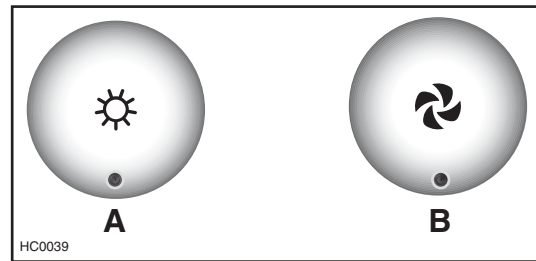
- Tous produits nettoyants contenant des **agents de blanchiment**; ils attaqueront l'acier inoxydable.
- Tous produits contenant du **chlorure**, du **fluorure**, de l'**iode** ou du **bromure**; ils détérioreront rapidement les surfaces.
- Tous produits combustibles utilisés pour le nettoyage : **acétone**, **alcool**, **éther**, **benzène**, etc.; ils sont grandement explosifs et ne devraient jamais être utilisés près d'une cuisinière.

## 19. FONCTIONNEMENT

Toujours mettre en marche le ventilateur avant de commencer la cuisson afin d'établir une circulation d'air dans la cuisine. Laisser également le ventilateur fonctionner quelques minutes après l'arrêt de la cuisinière afin de nettoyer l'air. Ceci aidera à garder la cuisine plus propre et plus claire.



- 1) BOUTON D'ÉCLAIRAGE HALOGÈNE
- 2) BOUTON DE LA COMMANDE DE VITESSE DU VENTILATEUR
- 3) INTERRUPTEUR MARCHE/ARRÊT DU VENTILATEUR



- A) BOUTON D'ÉCLAIRAGE HALOGÈNE
- B) BOUTON DE LA COMMANDE DE VITESSE DU VENTILATEUR

### ÉCLAIRAGE DE LA SURFACE DE CUISSON (HALOGÈNE)

Un bouton rotatif à 3 positions (1) contrôle les lampes halogènes (arrêt - basse intensité - intensité élevée).

### VENTILATEUR

Le ventilateur fonctionne à l'aide de deux commandes.

Utiliser l'interrupteur à bascule marche/arrêt (3) pour mettre en marche et arrêter le ventilateur. Lorsqu'il est en marche, le ventilateur fonctionne à la vitesse réglée par le bouton de la commande de vitesse (2).

Tourner le bouton de commande de vitesse dans le sens contraire des aiguilles d'une montre pour augmenter la vitesse du ventilateur et dans le sens des aiguilles d'une montre pour ralentir la vitesse du ventilateur.

### HEAT SENTRY<sup>MC</sup>

Cette hotte est équipée d'un thermostat Heat Sentry<sup>MC</sup>. Ce thermostat est un dispositif qui mettra en marche ou augmentera automatiquement la vitesse du ventilateur s'il détecte une chaleur excessive au-dessus de la surface de cuisson.

- 1) Si le ventilateur n'est pas en marche, il actionnera le ventilateur à haute vitesse.
- 2) Si le ventilateur fonctionne en basse vitesse, le ventilateur passera en vitesse maximale.

### **⚠ AVERTISSEMENT**

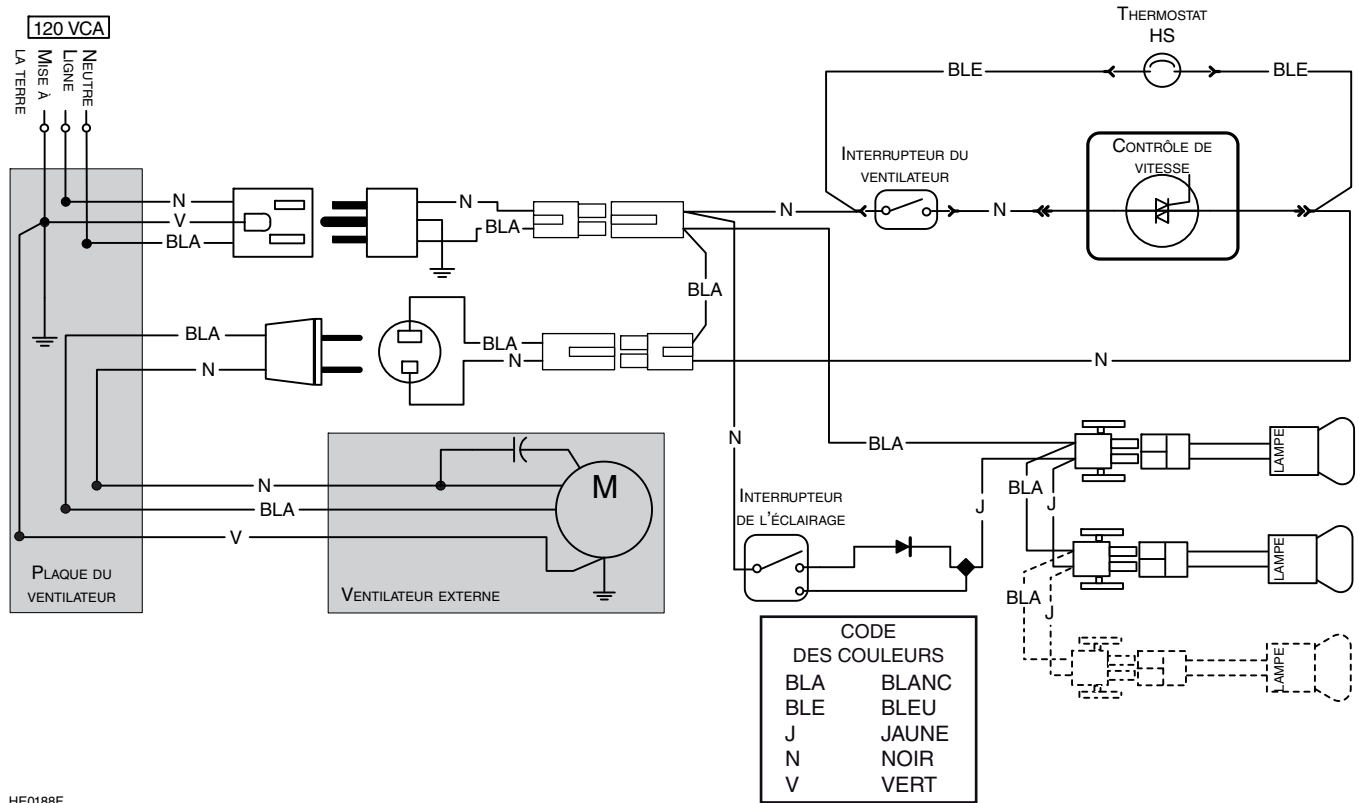
**Lors d'un feu de cuisson ou d'une chaleur excessive, le HEAT SENTRY peut mettre le ventilateur en marche même s'il est arrêté. Si tel est le cas, il est impossible d'arrêter le ventilateur avec son interrupteur. Si vous devez arrêter le fonctionnement du ventilateur, le débrancher de la hotte en tirant sur la fiche à 2 broches de son cordon (située derrière les filtres); ne pas tirer sur le cordon.**

Lorsque la température revient à la normale, le ventilateur retourne à sa vitesse d'origine.



## 20. SCHÉMAS ÉLECTRIQUES (SUITE)

### VENTILATEUR EXTÉRIEUR OU EN LIGNE

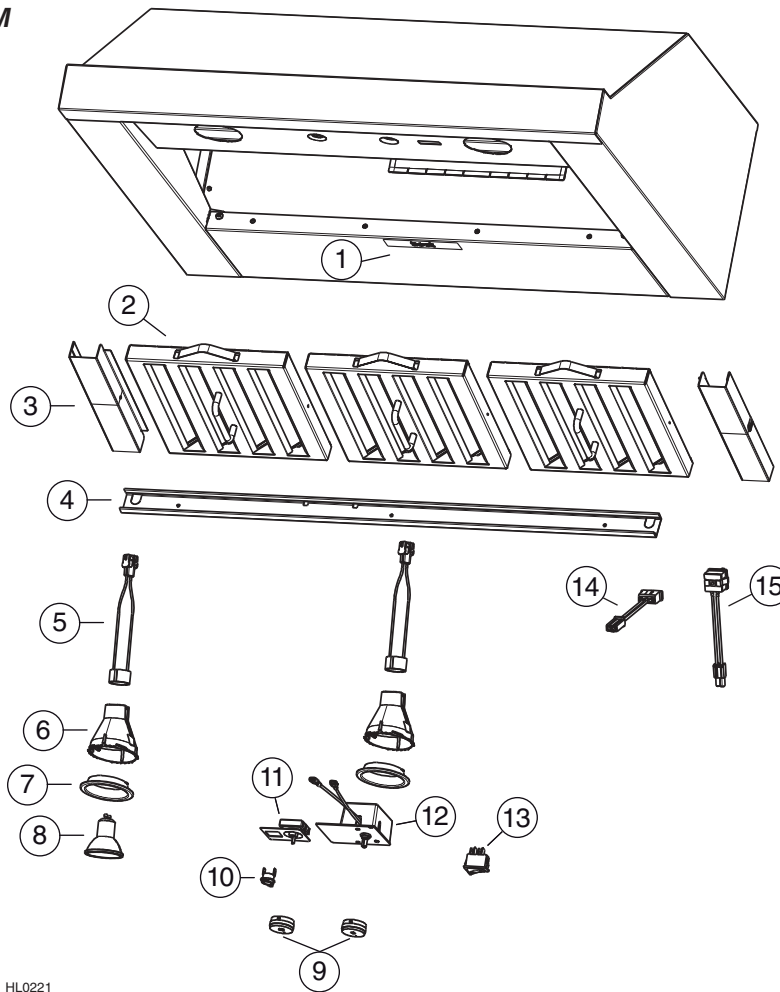


HE0188F



# 21. PIÈCES DE REMPLACEMENT

Modèle UP26M



**PIÈCES DE REMPLACEMENT ET SERVICE**

Pour assurer le bon fonctionnement de votre appareil, vous devez toujours utiliser des pièces d'origine provenant de Broan-NuTone. Les pièces d'origine de Broan-NuTone sont spécialement conçues pour satisfaire toutes les normes de certification de sécurité applicables. Leur remplacement par des pièces ne provenant pas de Broan-NuTone pourrait ne pas assurer la sécurité de l'appareil, entraîner une réduction sévère des performances ainsi qu'un risque de défaillance prématurée. Broan-NuTone recommande également de toujours vous référer à une entreprise de services compétente et reconnue par Broan-NuTone pour vos pièces de remplacement et appels de service.

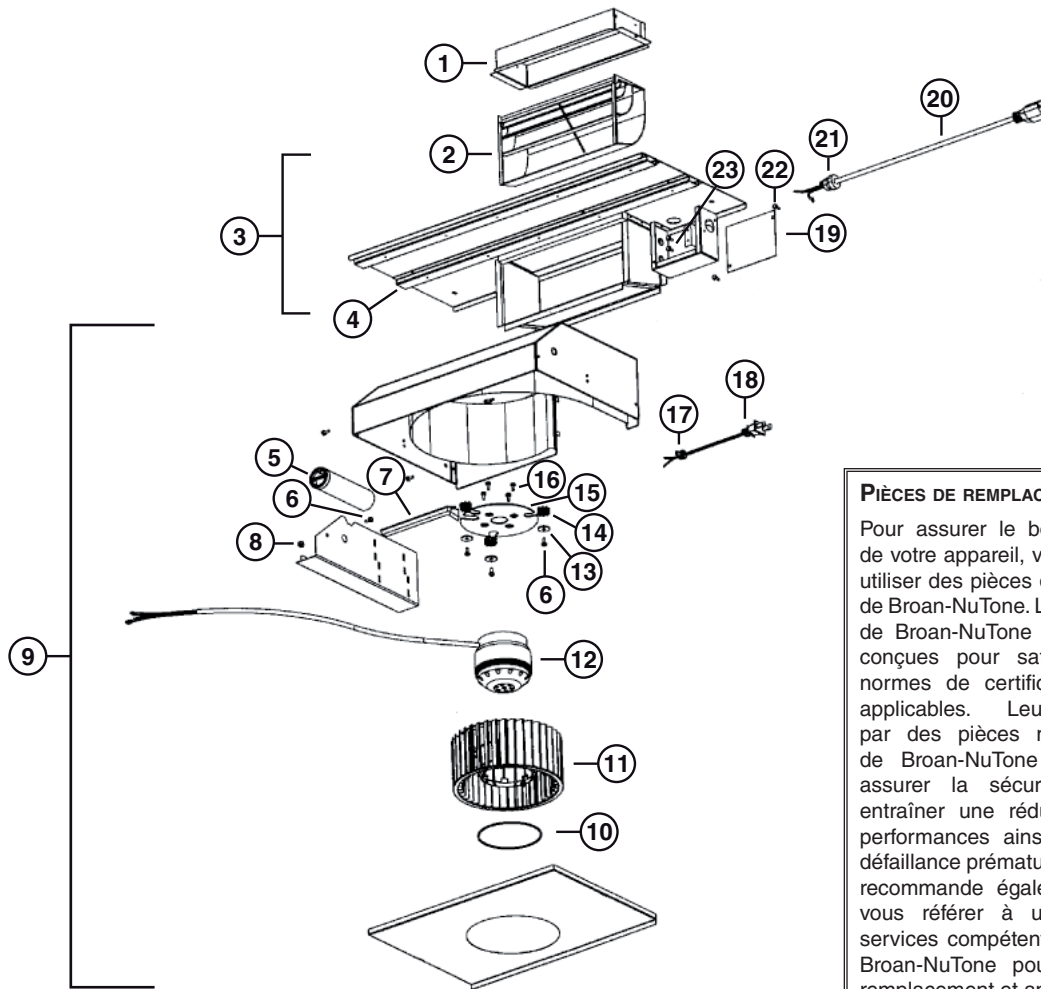
HL0221

N° DE RÉF.	N° DE PIÈCE	DESCRIPTION	QTÉ (LARGEUR DE HOTTE)			
			30 PO	36 PO	42 PO	48 PO
1	SV05869	LOGO BEST	1	1	1	1
2	SV61639	FILTRE À CHICANE HYBRIDE 8,84 PO X 8,61 PO (INCLUANT POIGNÉE)	-	3	1	-
	SV61640	FILTRE À CHICANE HYBRIDE 11,84 PO X 8,61 PO (INCLUANT POIGNÉE)	2	-	2	3
3	SV61691	ENTRETOISE 1,6 PO (PAIRE)	-	1	1	-
	SV61679	ENTRETOISE 3 PO (PAIRE)	-	-	-	1
4	SV61742	GOUTTIÈRE 30 PO	1	-	-	-
	SV61743	GOUTTIÈRE 36 PO	-	1	-	-
	SV61744	GOUTTIÈRE 42 PO	-	-	1	-
	SV61745	GOUTTIÈRE 48 PO	-	-	-	1
5	SV05917	DOUILLE GU10	2	2	3	3
6	SV09435	SUPPORT DE DOUILLE GU10	2	2	3	3
7	SV09434	GARNITURE DE LAMPE EN ACIER INOXYDABLE	2	2	3	3
8	SV05921	AMPOULES HALOGÈNES AVEC ÉCRAN (50 W, 120 V, PAR16, GU10)	2	2	3	3
9	SV08578	BOUTONS ÉCLAIRAGE ET VENTILATEUR (2 BOUTONS)	1	1	1	1
10	SV03435	THERMOSTAT	1	1	1	1
11	SV08338	INTERRUPTEUR D'ÉCLAIRAGE	1	1	1	1
12	SV03501	COMMANDE DE VITESSE	1	1	1	1
13	SV08548	INTERRUPTEUR À BASCULE DU VENTILATEUR	1	1	1	1
14	SV13923	CONNECTEUR FEMELLE	1	1	1	1
15	SV13924	CONNECTEUR MÂLE	1	1	1	1
*	SV17645	SUPPORT DU THERMOSTAT	1	1	1	1
*	SV21517	INSTALLATION GUIDE	1	1	1	1
*	SV13278	SAC DE PIÈCES : 4 ÉCROUS À BRIDE N° 10-32, 1 SERRE-FILS LP16-AP, 2 CAPUCHONS DE CONNEXION N° 74B, 8 VIS DOUBLE FILETS 6-12 X 1/2 PO, 6 VIS N° 8 X 3/8 PO, 2 VIS N° 6 X 1/2 PO	1	1	1	1

\* NON ILLUSTRÉ.

## 21. PIÈCES DE REMPLACEMENT (SUITE)

### PLAQUE ET VENTILATEUR SIMPLE (Modèle P5)



HL0021

#### PIÈCES DE REMPLACEMENT ET SERVICE

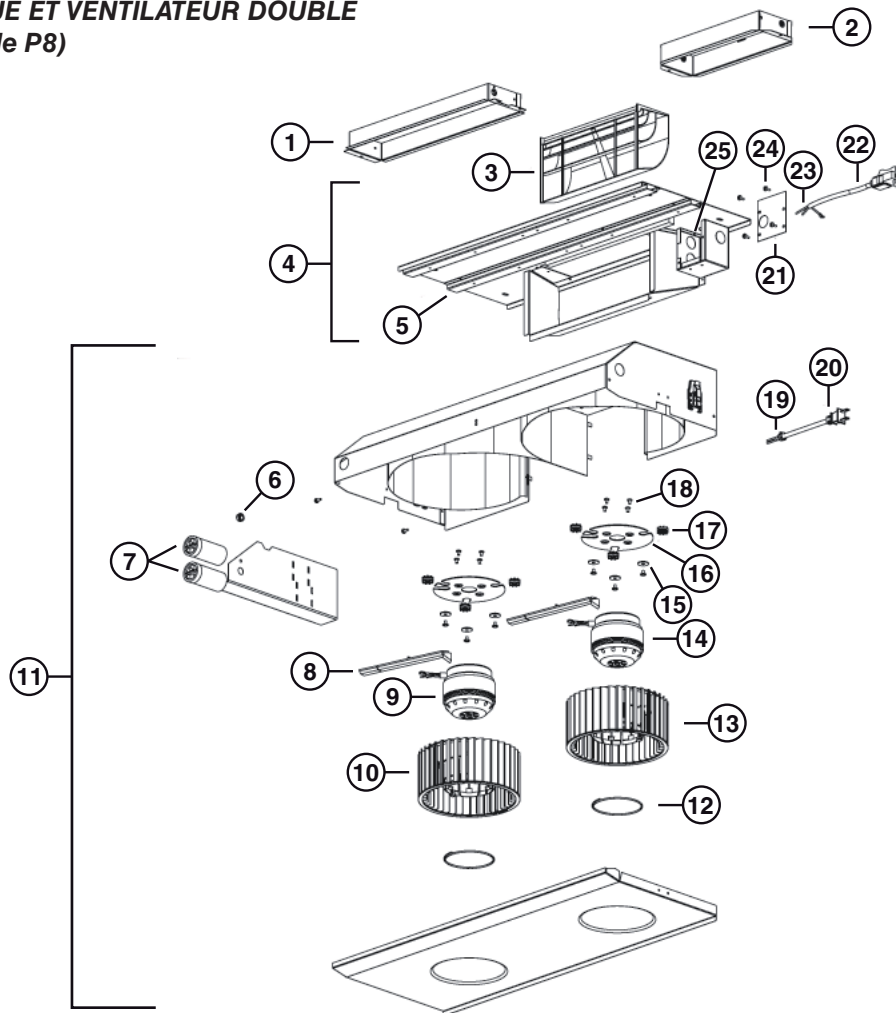
Pour assurer le bon fonctionnement de votre appareil, vous devez toujours utiliser des pièces d'origine provenant de Broan-NuTone. Les pièces d'origine de Broan-NuTone sont spécialement conçues pour satisfaire toutes les normes de certification de sécurité applicables. Leur remplacement par des pièces ne provenant pas de Broan-NuTone pourrait ne pas assurer la sécurité de l'appareil, entraîner une réduction sévère des performances ainsi qu'un risque de défaillance prématurée. Broan-NuTone recommande également de toujours vous référer à une entreprise de services compétente et reconnue par Broan-NuTone pour vos pièces de remplacement et appels de service.

N° DE RÉF.	N° DE PIÈCE	DESCRIPTION	QTÉ
1	SV13296	ADAPTATEUR/VOLET 3¼ PO X 10 PO	1
2	SV03500	DÉFLECTEUR D'AIR	1
3	SV12997	PLAQUE VENTILATEUR SIMPLE ASSEMBLÉE	1
4	SV03577	MOUSSE 1/2 PO X 1/2 PO X 12 PO	1
5	SV02160	CONDENSATEUR 15 µF	1
6	*	VIS MÉCANIQUE N° 6-32 X 1/4 PO	4
7	SV01857	CACHE-FILS	1
8	*	ÉCROU DENTELÉ N° 6-32	1
9	SV14973	VENTILATEUR SIMPLE ASSEMBLÉ	1
10	SV01810	ANNEAU ROUE	1
11	SV03400	ROUE HOTTE 7,094 PO X 3,375 PO CW	1
12	SV01766	MOTEUR 165 W CW	1
13	*	RONDELLE 3/16 PO DI X 3/4 PO DE	3
14	SV02001	OUILLET MOTEUR G-431-1	3
	*	COLLIER DE SERRAGE 8 PO	2
15	SV11705	SUPPORT DE MOTEUR	1
	*	FIL N° 18 TEW BRUN X 10 PO	1
16	SV01927	VIS MÉTRIQUE M4 X 6 MM PAN QUADREX	4
17	SV03495	BAGUE ANTI-TRACTION CORDON VENTILATEUR	1
18	SV03494	CORDON D'ALIMENTATION VENTILATEUR 36 PO	1
19	SV13230	PORTE COMPARTIMENT ÉLECTRIQUE	1
20	SV03496	CORDON D'ALIMENTATION 120 VOLTS	1
21	SV00660	BAGUE ANTI-TRACTION CORDON D'ALIMENTATION	1
22	*	VIS N° 8 X 3/8 PO, T/B, TÊTE N° 8	2
23	*	VIS N° 10-32 X 3/8 PO, TF, VERTE	2

\*QUINCAILLERIE STANDARD, PEUT ÊTRE ACHETÉE LOCALEMENT.

## 21. PIÈCES DE REMPLACEMENT (SUITE)

### PLAQUE ET VENTILATEUR DOUBLE (Modèle P8)



HL0022

#### PIÈCES DE REMPLACEMENT ET SERVICE

Pour assurer le bon fonctionnement de votre appareil, vous devez toujours utiliser des pièces d'origine provenant de Broan-NuTone. Les pièces d'origine de Broan-NuTone sont spécialement conçues pour satisfaire toutes les normes de certification de sécurité applicables. Leur remplacement par des pièces ne provenant pas de Broan-NuTone pourrait ne pas assurer la sécurité de l'appareil, entraîner une réduction sévère des performances ainsi qu'un risque de défaillance prématurée. Broan-NuTone recommande également de toujours vous référer à une entreprise de services compétente et reconnue par Broan-NuTone pour vos pièces de remplacement et appels de service.

N° DE RÉF.	N° DE PIÈCE	DESCRIPTION	Qté
1	SV14971	ADAPTATEUR/VOLET 3¼ PO X 14 PO	1
2	SV13296	ADAPTATEUR/VOLET 3¼ PO X 10 PO	1
3	SV03500	DÉFLECTEUR D'AIR	1
4	SV14975	PLAQUE VENTILATEUR DOUBLE ASSEMBLÉE	1
5	SV03577	MOUSSE 1/2 PO X 1/2 PO X 12 PO	1
6	*	ÉCROU DENTELÉ N° 6-32	1
7	SV02160	CONDENSATEUR 15 µF	2
8	SV01857	CACHE-FILS	2
9	SV01766	MOTEUR 165 W CW	1
10	SV03400	ROUE HOTTE 7,094 PO X 3,375 PO CW	1
11	SV14974	VENTILATEUR DOUBLE ASSEMBLÉ	1
12	SV01810	ANNEAU ROUE	2
13	SV03399	ROUE HOTTE 7,094 PO X 3,375 PO CCW	1
14	SV03457	MOTEUR 165 W CCW	1
15	*	RONDELLE 3/16 PO DI X 3/4 PO DE	6
	*	COLLIER DE SERRAGE 8 PO	4
16	SV11705	SUPPORT DE MOTEUR	2
	*	FIL N° 18 TEW BRUN X 10 PO	2
17	SV02001	OUILLET MOTEUR G-431-1	6
18	SV01927	VIS MÉTRIQUE M4 X 6 MM PAN QUADREX	8
19	SV03495	BAGUE ANTI-TRACTION CORDON DE VENTILATEUR	1
20	SV03494	CORDON D'ALIMENTATION VENTILATEUR 36 PO	1
21	SV14960	PORTE COMPARTIMENT ÉLECTRIQUE	1
22	SV03496	CORDON D'ALIMENTATION DE 120 VOLTS	1
23	SV00660	BAGUE ANTI-TRACTION CORDON D'ALIMENTATION	1
24	*	VIS N° 8 X 3/8 PO, T/B, TÊTE N° 8	4
25	*	VIS N° 10-32 X 3/8 PO, TF, VERTE	2

\*QUINCAILLERIE STANDARD, PEUT ÊTRE ACHETÉE LOCALEMENT.

## 22. GARANTIE

### GARANTIE LIMITÉE DE UN AN

Broan-NuTone LLC (Broan-NuTone) garantit à l'acheteur consommateur initial de produits Best qu'ils sont exempts de tout défaut dans les matières premières ou la main-d'œuvre, pour une période de un an à compter de la date d'achat par le consommateur initial. IL N'Y A PAS D'AUTRES GARANTIES, EXPRIMÉES OU IMPLICITES, INCLUANT, MAIS NON LIMITÉES AUX GARANTIES IMPLICITES POUR FIN DE COMMERCIALISATION ET DE CONVENANCE DANS UN BUT PARTICULIER.

Durant cette période de un an, Broan-NuTone, à sa discrétion, réparera ou remplacera gratuitement, tout produit ou pièce qui s'avère défectueux et ayant été utilisé normalement et d'une manière non abusive.

**CETTE GARANTIE NE COUVRE PAS LES STARTERS DE TUBES FLUORESCENTS, LES FLUORESCENTS, LES AMPOULES HALOGÈNES ET À INCANDESCENCE, LES FUSIBLES, LES FILTRES, LES CONDUITS, LES CAPUCHONS DE TOIT, LES CAPUCHONS DE MUR ET LES AUTRES ACCESSOIRES DE CONDUITS.**

Cette garantie ne couvre pas (a) l'entretien et le service normal ou (b) tout produit ou pièce endommagé à la suite de mauvais usage, de négligence, d'accident, d'entretien inapproprié ou de réparation (autre que par Broan-NuTone), d'une installation inadéquate ou non conforme au mode d'installation recommandé.

La durée de toute garantie implicite est limitée à une période de un an telle qu'elle est spécifiée pour la garantie exprimée. Certains États ou provinces ne permettent pas de limite de temps sur les garanties implicites. Si tel est le cas, veuillez ne pas tenir compte de la dernière limite décrite ci-dessus.

**L'ENGAGEMENT DE BROAN-NUTONE DE RÉPARER OU DE REMPLACER, AU CHOIX DE BROAN-NUTONE, SERA LA SEULE OBLIGATION EXCLUSIVE SOUS CETTE GARANTIE. BROAN-NUTONE NE SERA PAS TENUE RESPONSABLE DES DOMMAGES DIRECTS, INDIRECTS OU SPÉCIAUX SURVENANT À CAUSE DE OU EN RAPPORT À L'UTILISATION OU À LA PERFORMANCE DE SES PRODUITS. Certains États ou provinces ne permettent pas l'exclusion ou la limite relative aux dommages directs, indirects ou spéciaux. Si tel est le cas, veuillez ne pas tenir compte de l'exclusion ou de la limite ci-dessus.**

Cette garantie vous donne des droits légaux spécifiques et il se peut que vous ayez d'autres droits qui varient d'un État ou d'une province à l'autre. Cette garantie annule toutes les autres garanties précédentes.

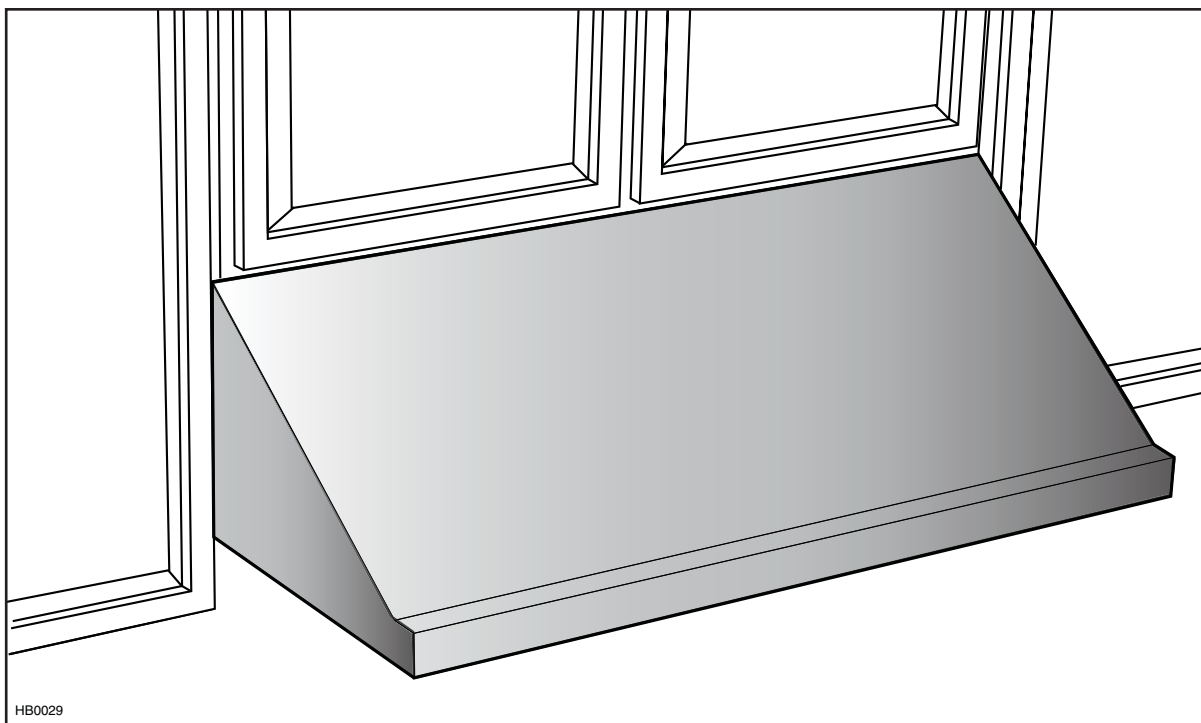
Pour le service sous garantie, vous devez (a) aviser Broan-NuTone à l'adresse ou au numéro de téléphone mentionnés ci-dessous, (b) donner le numéro du modèle et l'identification de la pièce et (c) décrire la nature de tout défaut dans le produit ou la pièce. Au moment de la demande de service sous garantie, vous devez présenter une preuve de la date d'achat initial dudit produit.

**Aux États-Unis - Best®**, 926 W. State Street, Hartford, WI 53027 (800 558-1711)

**Au Canada - Best®**, 550 boul. Lemire, Drummondville, QC, Canada, J2C 7W9 (866 737-7770)

[www.BestRangeHoods.com](http://www.BestRangeHoods.com)

# best®



## SERIE UP26M

⚠ EXCLUSIVAMENTE PARA COCINAS DOMÉSTICAS ⚠

**LEA ESTAS INSTRUCCIONES Y GUÁRDELAS**

INSTALADOR: ENTREGUE ESTE MANUAL AL PROPIETARIO DE LA CASA.  
PROPIETARIO: INFORMACIÓN SOBRE UTILIZACIÓN Y CUIDADO  
EN LAS PÁGINAS 53 Y 54.

BEST; Hartford, Wisconsin [www.BestRangeHoods.com](http://www.BestRangeHoods.com) 800-558-1711

BEST; Drummondville, QC, Canada [www.BestRangeHoods.com](http://www.BestRangeHoods.com) 866-737-7770

Para registrar su producto en línea o para obtener más información, visitar nuestro sitio [www.BestRangeHoods.com](http://www.BestRangeHoods.com)

## **⚠️ ADVERTENCIA**

### **PARA REDUCIR EL RIESGO DE INCENDIO, DESCARGA ELÉCTRICA O LESIÓN CORPORAL, RESPETE LAS SIGUIENTES INDICACIONES:**

1. Utilice esta unidad únicamente de la forma en que indica el fabricante. Si tiene cualquier pregunta, póngase en contacto con el fabricante en la dirección o el teléfono que aparecen en la garantía.
2. Antes de reparar o limpiar el aparato, apáguelo en el tablero de servicio y bloquee los medios de desconexión para impedir que la corriente se conecte accidentalmente. Cuando no se pueda bloquear los medios de desconexión, coloque un dispositivo de advertencia visible (como una etiqueta) en el tablero de servicio.
3. La instalación y la conexión eléctrica deben ser realizadas por personal calificado de acuerdo con todos los códigos y normas aplicables, incluso los relativos a la construcción ignífuga.
4. Para lograr una combustión adecuada y una extracción correcta de los gases a través de la salida del humo (chimenea) del equipo quemador de combustible — evitando así el contratiempo — es necesario disponer de aire suficiente. Siga las directrices del fabricante del equipo de material térmico y las normas de seguridad, como las que publica la NFPA (asociación de protección contra los incendios) y la ASHRAE (sociedad estadounidense de técnicos de calefacción, refrigeración y aire acondicionado) así como los códigos de los organismos responsables locales.
5. Al cortar o perforar la pared o el techo, procure no dañar el cableado eléctrico ni otras instalaciones de servicios públicos.
6. Los ventiladores entubados siempre deben tener salida al exterior.
7. No use esta unidad con ningún otro control de velocidad de estado sólido.
8. Para reducir el riesgo de incendio, utilice sólo tuberías metálicas.
9. Este aparato debe conectarse a tierra.
10. Cuando una reglamentación local esta en vigor y conlleva exigencias de instalación y/o de certificación más estrictas, susodichas exigencias prevalecen sobre aquellas en este documento y el instalador acepta someterse a estas exigencias a sus gastos.

### **PARA REDUCIR EL RIESGO DE QUE ARDA LA GRASA EN LA PARTE SUPERIOR DE LA COCINA:**

- a) No deje nunca recipientes de cocina a fuego vivo sin vigilancia. Los desbordamientos producen humo y derrames grasientos que pueden inflamarse. Caliente el aceite despacio, a fuego lento o mediano.
- b) Ponga en marcha siempre la campana extractora al cocinar a temperaturas elevadas o al cocinar alimentos flameados (crepas Suzette, cerezas jubilee, res con pimienta flameada).
- c) Limpie los ventiladores con frecuencia. No deje que la grasa se acumule en el ventilador, ni en los filtros o en los conductos de evacuación.
- d) Utilice cacerolas de tamaño apropiado. Emplee siempre un recipiente adecuado para el tamaño de la placa.

## **⚠️ ADVERTENCIA**

### **PARA REDUCIR EL RIESGO DE LESIONES CORPORALES EN EL CASO DE QUE ARDA LA GRASA EN LA PARTE SUPERIOR DE LA COCINA, SIGA ESTAS INDICACIONES\*:**

1. SOFOQUE LAS LLAMAS con una tapa ajustada, una hoja o bandeja metálica para hornear galletas, y apague luego el quemador. TENGA CUIDADO PARA EVITAR QUEMADURAS. SI LAS LLAMAS NO SE APAGAN INMEDIATAMENTE, EVACUE EL LUGAR Y LLAME A LOS BOMBEROS.
2. NO SUJETE NUNCA UNA SARTÉN EN LLAMAS ya que podría quemarse.
3. NO USE AGUA, ni trapos húmedos. Podría causar una violenta explosión de vapor.
4. Utilice un extintor SOLAMENTE si:
  - A. Tiene un extintor de tipo ABC y sabe usarlo.
  - B. El incendio es pequeño y está circunscrito a la zona donde empezó.
  - C. Ya ha llamado a los bomberos.
  - D. Puede tratar de apagar el fuego si dispone siempre de una salida detrás de usted.

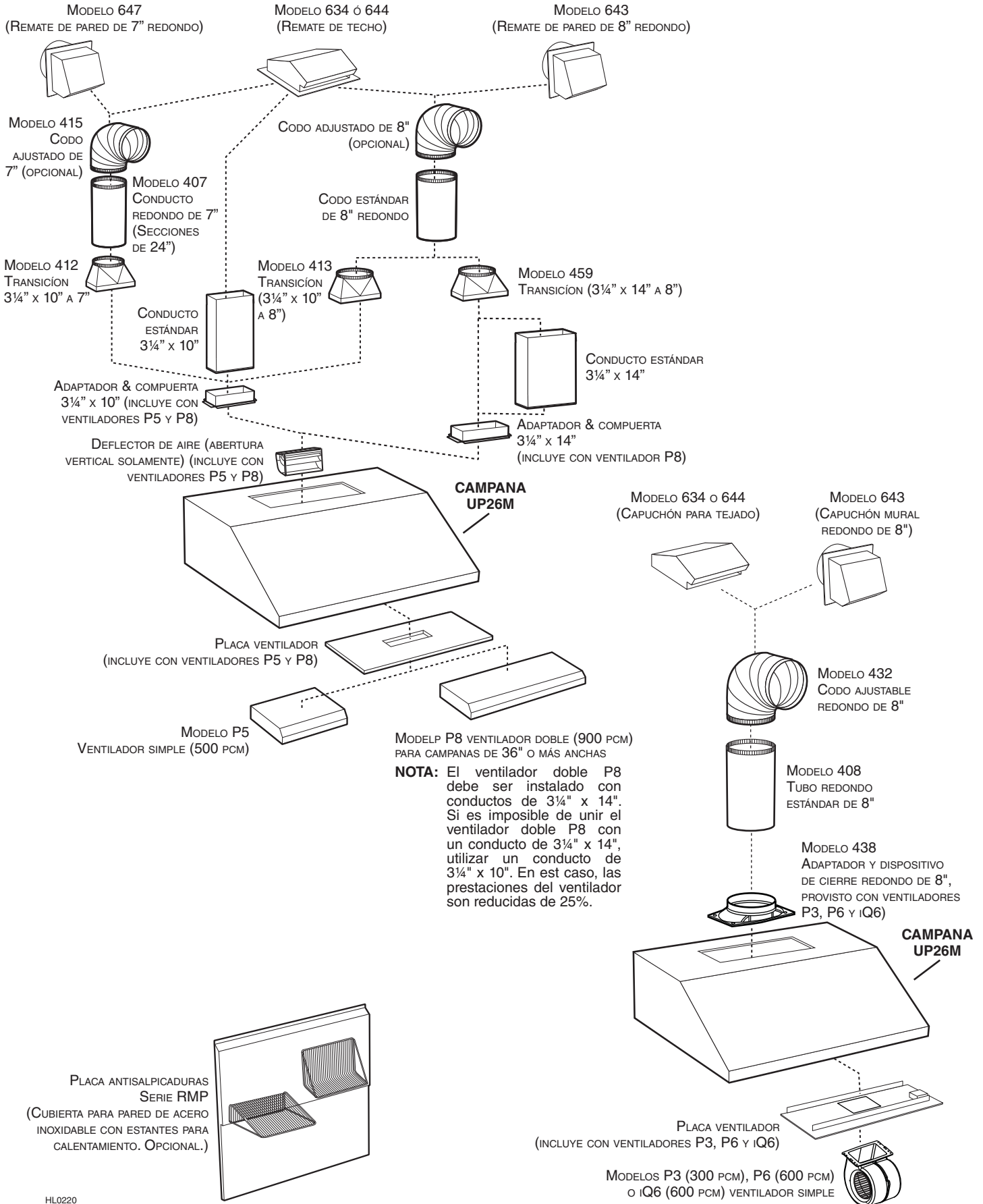
\* Fuente: "Kitchen Fire Safety Tips" publicado por la NFPA.

## **PRECAUCIÓN**

1. Sólo para una utilización en el interior.
2. Sólo para ventilación general. No debe utilizarse para extraer materiales o vapores peligrosos o explosivos.
3. Para evitar daños en el cojinete del motor y que la hélice haga ruido o se desequilibre, mantenga la unidad de alimentación lejos de los vaporizadores de pirca, del polvo de la construcción, etc.
4. El motor de la campana tiene un dispositivo contra sobrecargas térmicas que apaga el motor automáticamente si éste se sobrecalienta. El motor volverá a ponerse en marcha cuando se enfríe. Si el motor sigue apagándose, haga examinar la campana.
5. Para lograr una mejor captura de las impurezas producidas al cocinar, la parte inferior de la campana deberá estar a un mínimo de 24" y un máximo de 36" sobre el nivel la superficie para cocina.
6. Dado el peso y el tamaño de esta unidad, se aconseja que la instalen dos personas.
7. Para reducir los riesgos de incendio y extraer el aire debidamente, el aire debe evacuarse fuera. No extraiga el aire a espacios situados entre las paredes, en el techo o en el desván, falso techo o garaje.
8. Este producto está equipado con un termostato que puede poner en marcha el ventilador automáticamente. Para reducir el riesgo de que se produzcan daños y evitar poner en marcha la alimentación accidentalmente, apague la corriente en el tablero de servicio, bloquee este tablero o ponga una etiqueta de advertencia.
9. Dada la gran capacidad extractora de esta campana, debería asegurarse de que en la casa entra suficiente aire para sustituir el aire extraído. Abra una ventana en la cocina o cerca de ella.
10. Para reducir el riesgo de incendio y descarga eléctrica, este campana Best serie UP26M debe ser instalada con ventilador interior Best modelo iQ6, P3, P5, P6 ó P8, ó con ventilador exterior Best modelo: EB6, EB9, EB12 ó EB15 ó con ventilador en línea Best: ILB3, ILB6, ILB9 ó ILB11 (vendidos separadamente) solamente. Otros ventiladores no pueden reemplazar a este ventiladores.
11. Para mayor información y conocer los requisitos, lea la etiqueta con las especificaciones en el producto.



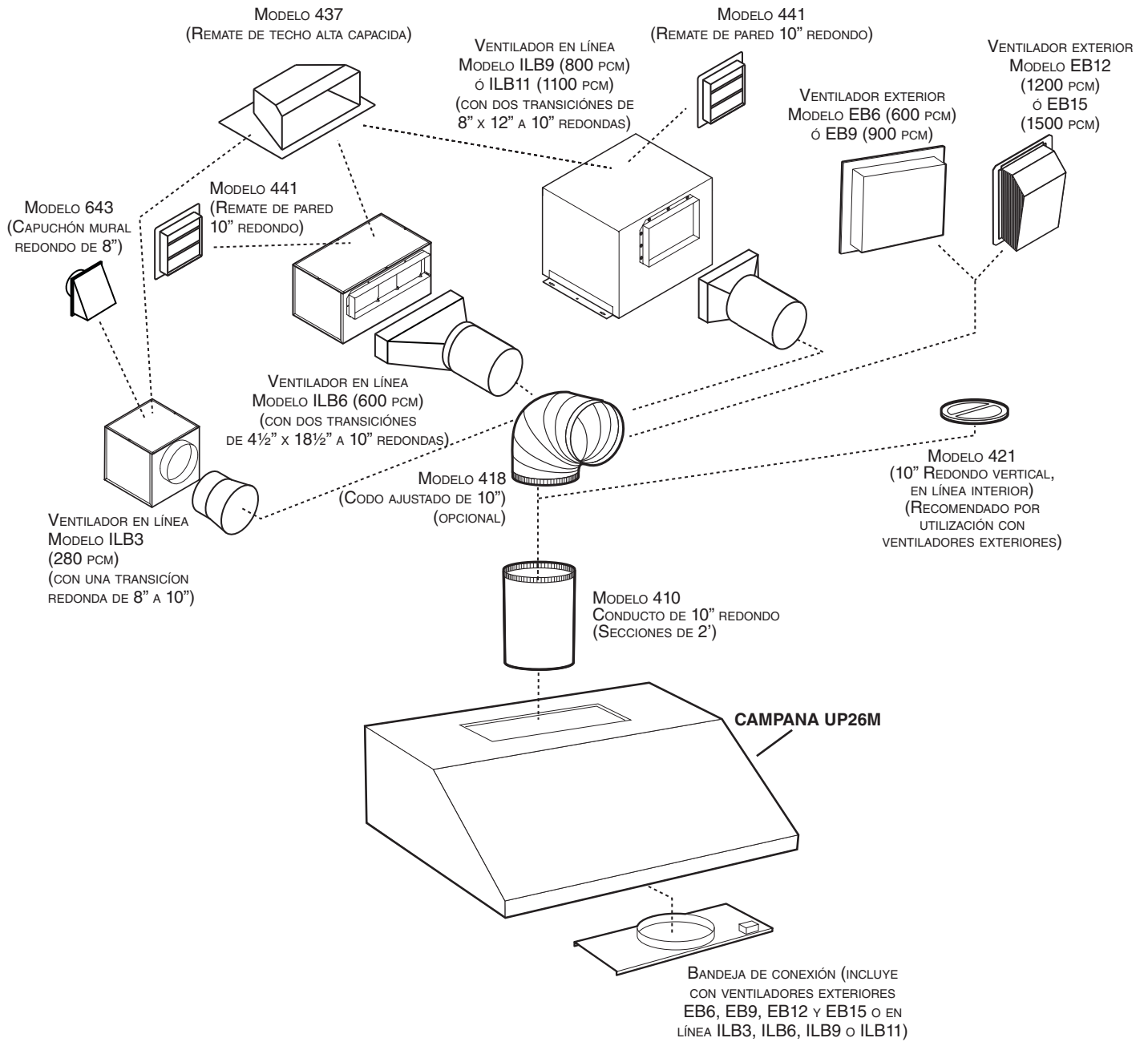
# - SISTEMA DE LA CAMPANA DE COCINA SERIE UP26M - VENTILADOR INTERIOR



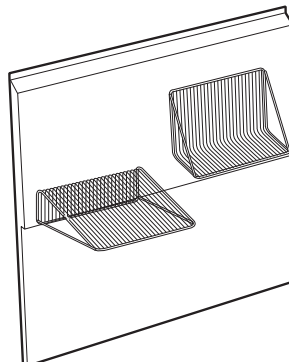
**NOTA:** El ventilador doble P8 debe ser instalado con conductos de 3¼" x 14". Si es imposible de unir el ventilador doble P8 con un conducto de 3¼" x 14", utilizar un conducto de 3¼" x 10". En est caso, las prestaciones del ventilador son reducidas de 25%.



## - SISTEMA DE LA CAMPANA DE COCINA SERIE UP26M - VENTILADORES EN LÍNEA Y EXTERIORES



**PLACA ANTISALPICADURAS SERIE RMP**  
(CUBIERTA PARA PARED DE ACERO  
INOXIDABLE CON ESTANTES PARA  
CALENTAMIENTO. OPCIONAL.)



# 1. SELECCIONE LA OPCIÓN VENTILADOR Y INSTALE LOS CONDUCTOS

Esta campana funciona tanto con un ventilador exterior, con un ventilador en línea y como interior. La campana de modelo Best UP26M debe ser instalada únicamente con ventilador modelo iQ6, P3, P5, P6, P8, ILB3, ILB6, ILB9, ILB11, EB6, EB9, EB12 o EB15 (vendidos separadamente). Otros ventiladores no pueden reemplazar a estos ventiladores.

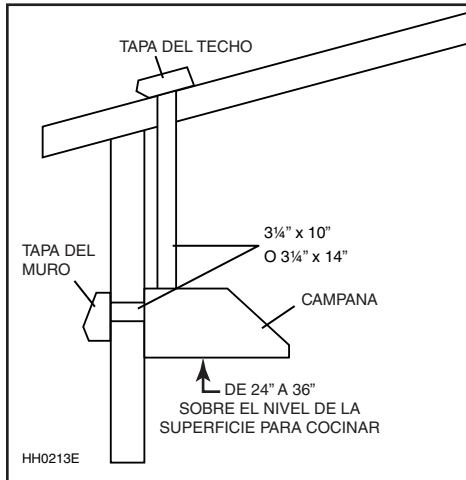
Planifique dónde y cómo se van a colocar los conductos.

**Si un ventilador en línea está instalado, se refiere a las instrucciones incluidas con éste y siga las etapas 1 a 3, 5, 8, 11, 12, 16 y siguiente de este manual.**

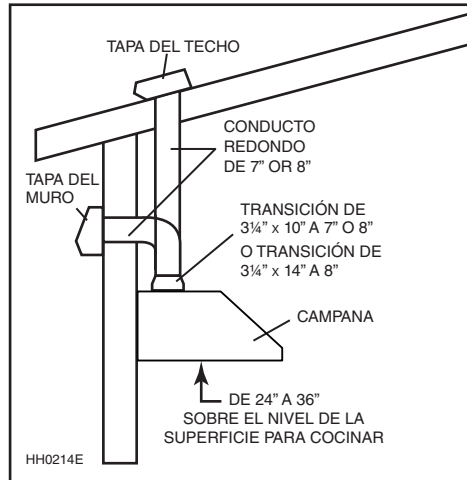
Instale los conductos de dimensión adecuada, codo(s) y remate la pared o el techo adecuado para el tipo de ventilador que esté usando. Si usted elige conductos circulares de 7" ó 8", utilice una transición. Utilice cinta adhesiva metálica para tubos para asegurarse estanquidad de las coyunturas.

**La distancia mínima entre la campana y la encimera debe ser de 24". Asimismo, se recomienda que dicha distancia se supere las 36" para obtener la máxima capacidad de absorción de las impurezas creadas al cocinar.**

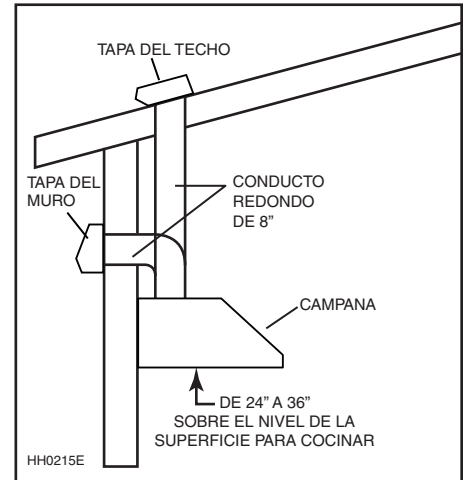
Las distancias de más de 36 pulgadas quedan a discreción del instalador y de los usuarios.



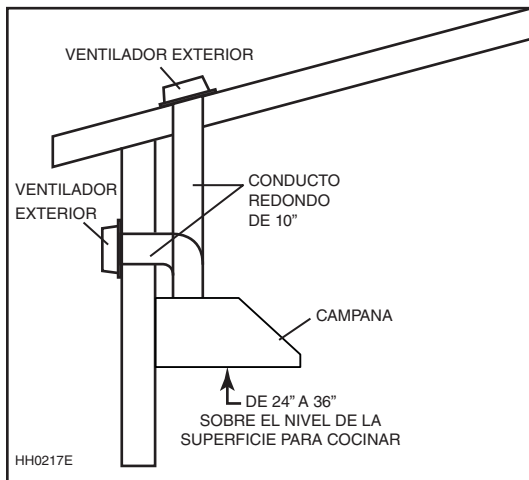
**INSTALACIÓN CON CONDUCTO RECTANGULAR CON VENTILADOR INTERIOR MODELO P5 (SIMPLE) O P8 (DOBLE)**



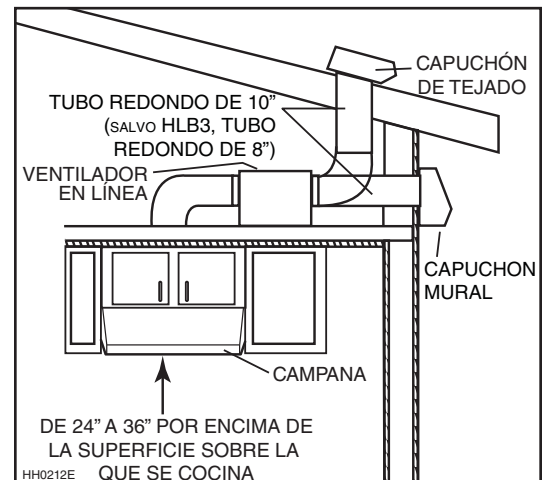
**INSTALACIÓN CON CONDUCTO REDONDO DE 7" Ó 8" CON VENTILADOR INTERIOR MODELO P5 (SIMPLE) O P8 (DOBLE)**



**INSTALACIÓN CON CONDUCTO REDONDO DE 8" CON VENTILADOR INTERIOR MODELO P3, P6 O IQ6 (SIMPLE)**



**INSTALACIÓN ESTÁNDAR CON VENTILADOR EXTERIOR MODELO EB6, EB9, EB12 Ó EB15**



**INSTALACIÓN ESTÁNDAR CON VENTILADOR EN LÍNEA MODELO ILB3, ILB6, ILB9 Ó ILB11**

## 2. PREPARE LA INSTALACIÓN

### ⚠ ADVERTENCIA

**Se aconseja llevar anteojos y guantes de seguridad al instalar, reparar o limpiar el aparato.**

NOTA: Antes de comenzar la instalación, verificar el contenido de la caja. Si alguna pieza falta o está dañada, póngase en contacto con el fabricante.

Asegúrese que los artículos siguientes están incluidos:

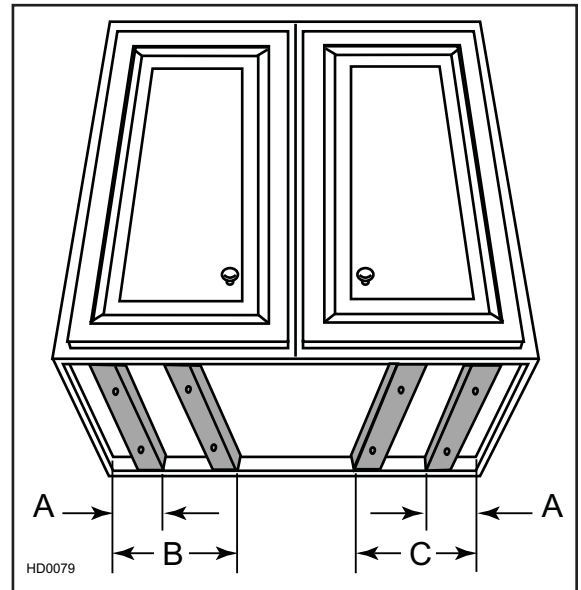
- Campana
- Accesorios:
  - Filtros de zig zag con manijas
  - Bombillas halógenas protegidas de tipo (120 V, 50 W, MR16 con base GU10 o PAR16 con base GU10)
  - Bolsa de piezas incluye: 4 tuercas a brida n.º 10-32, 1 alambre eléctrico LP16-AP, 2 tornillos n.º 6 x 1/2", 2 conector de cable no. 74B, 8 tornillos doble hilillo 6-12 x 1/2", 6 tornillos n.º 8 x 3/8"

Piezas separadas:

- Ventilador interno modelo P5 o P8 incluye ventilador interno, placa del ventilador, desviador y adaptador 3¼" x 10" o 3¼" x 14"
- Ventilador interno modelo iQ6, P3 o P6 incluye ventilador interno, placa del ventilador, adaptador y dispositivo de cierre
- Ventilador en línea ILB3, ILB6, ILB9 o ILB11 (todos incluye la placa del ventilador y transición(s))
- Ventilador exterior EB6, EB9, EB12 o EB15 (todos incluye la placa del ventilador)
- Placa para salpicaduras (opcional)
- Transiciones, conductos, codos, compuertas de tiro, remates de pared o de techo. Consultar las páginas 43 y 44 para la lista completa de los accesorios de ventilation y los números de modelo.

NOTA: Si el fondo del armario está empotrado, fije los listones de madera (no incluidos) en cada lados tal como ilustrado abajo. Servirse de dos listones de 2" de anchura para campana de 30" de anchura, y de cuatro listones de 2" de anchura para campana más ancha, de largo apropiado. Vea abajo por el lugar de los listones.

ANCHURA DE CAMPANA	LUGAR		
	A	B	C
30"	2"	N/A	N/A
36"	2"	4½"	4½"
42"	2"	7¼"	8¼"
48"	4"	10¼"	11¼"



## 3. INSTALE LA PLACA PARA SALPICADURAS (OPCIONAL)

La placa para salpicaduras se debe instalar antes que la campana debido a que éste cubre los tornillos de montaje de la placa para salpicaduras. Para instalar la placa de salpicadura, asegúrese de tener 18" entre debajo de la campana y el panel de control de la cocina o encima de la cocina. (Vea las instrucciones incluidas con la placa salpicaduras.)

## 4. SELECCIONE LA OPCIÓN VENTILADOR (EXTERIOR O INTERIOR)

VENTILADOR INTERIOR: Siga todas las etapas subsecuentes de este manual.

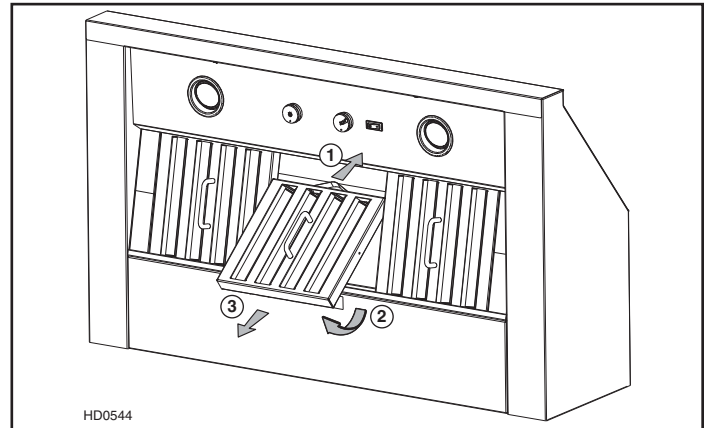
VENTILADOR EXTERIOR: Se refiere a las instrucciones incluidas con el ventilador exterior. Siga las etapas 5, 8, 11,12, 16 y siguiente del presente manual.

## 5. DESMONTAJE DE LOS FILTROS HÍBRIDOS Y DEL TABLERO INFERIOR (TODOS LOS VENTILADORES)

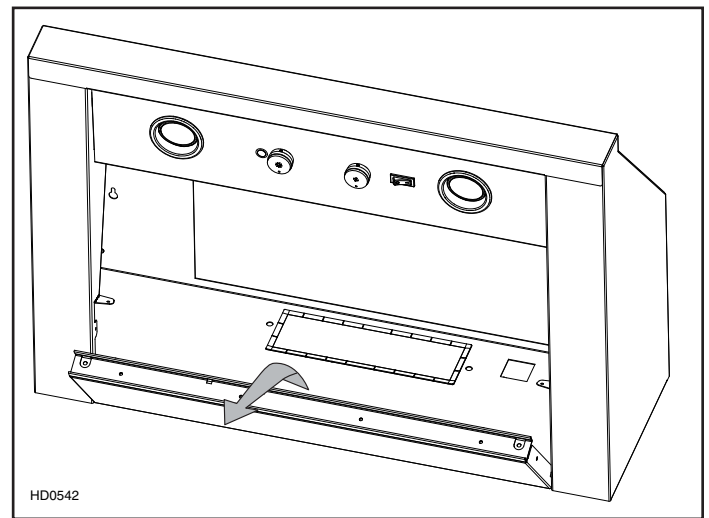
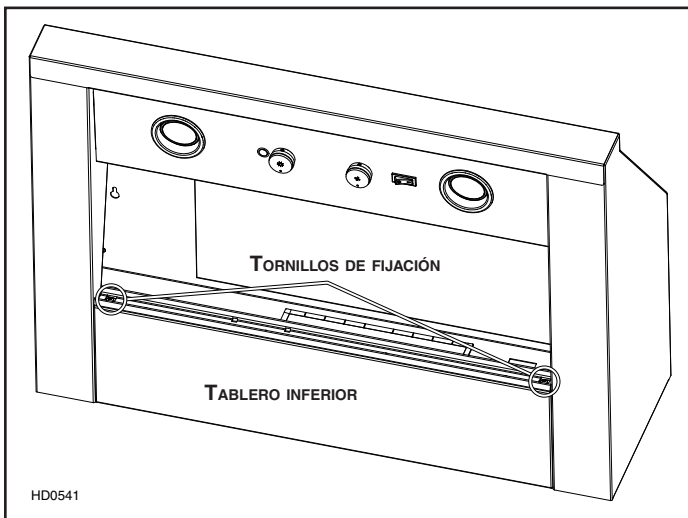
Ponga la parte posterior de la campana sobre una mesa. Utilice un trozo de cartón para evitar daños en la mesa o la campana.

Retire la cinta de los filtros. Saque los filtros de la campana y póngalos aparte.

NOTA: Se aconseja empezar por el filtro o filtros centrales.



Retire los dos tornillos que sujetan el tablero inferior. Coloque el tablero inferior y los tornillos a un lado.

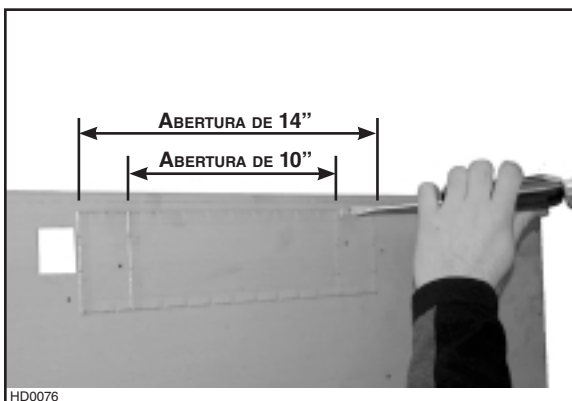


## 6. ELIJA LA ABERTURA (VENTILADORES P5 Y P8 SOLAMENTE)

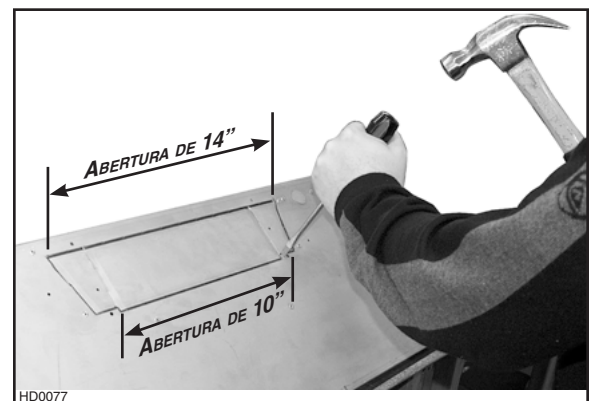
Rompa la abertura elegida (horizontal detrás de la campana o vertical en la placa del ventilador) de salida de aire. Ver las fotos de abajo.

### PRECAUCIÓN

Si un ventilador P5 es instalado, quite la abertura de 10" de anchura. Si un ventilador P8 es instalado, quite la abertura de 10" o de 14" de anchura.



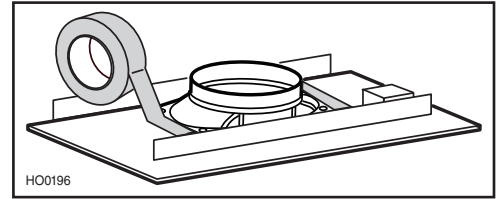
Rompación de la abertura horizontal detrás de la campana.



Rompación de la abertura vertical en la placa del ventilador.

## 7. SUJETE EL ADAPTADOR Y DISPOSITIVO DE CIERRE EN LA PLACA DEL VENTILADOR (VENTILADORES P3, P6 Y IQ6 SOLAMENTE)

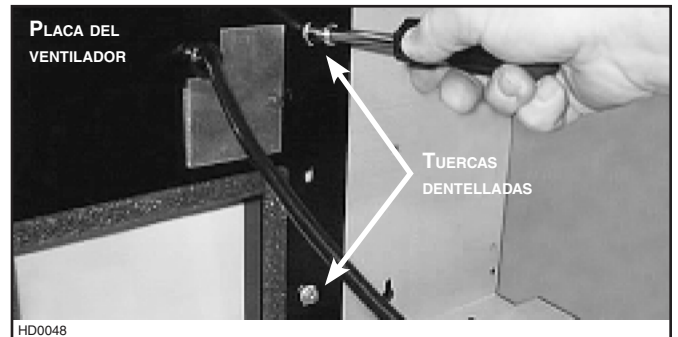
Sujete el adaptador y dispositivo de cierre redondo de 8" a la placa del ventilador. Utilice cinta adhesiva para tubos metálicos para cerrar las juntas y hacerlas herméticas.



## 8. INSTALE LA PLACA DEL VENTILADOR (TODOS LOS VENTILADORES)

**VENTILADOR INTERIOR:** Instalar la placa (incluye con el ventilador) al interior de la campana utilizando 4 tuercas dentelladas. Vea foto al lado.

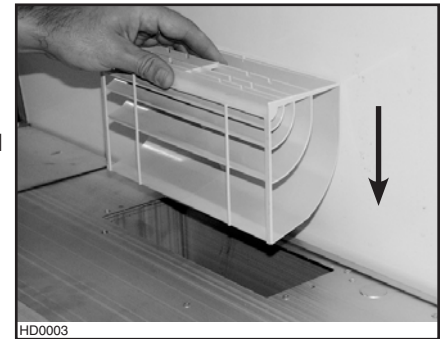
**VENTILADOR EN LÍNEA O EXTERIOR:** Referirse a los instrucciones incluye con el ventilador exterior o con el ventilador en línea. Instalar la placa al interior de la campana utilizando 4 tuercas dentelladas.



## 9. INSTALE EL DEFLECTOR DE AIRE (VENTILADORES P5 Y P8, SÓLO MONTAJE VERTICAL)

**USTED DEBE** también instalar el deflector de aire si usted elige la abertura vertical. Instale el desviador tal como ilustrado.

NOTA: El deflector no entra completamente en la campana, fíjese que sobre sale de 1/8".

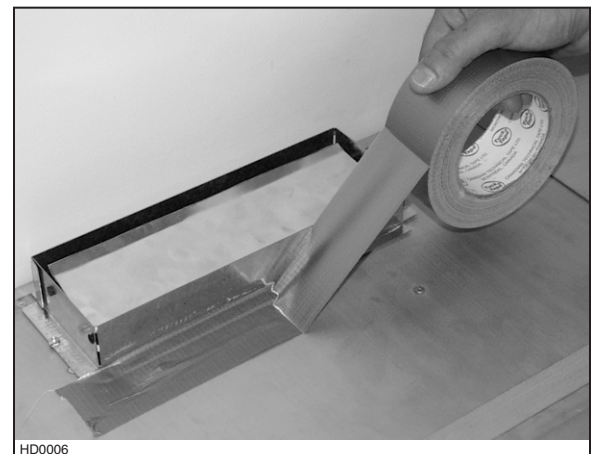
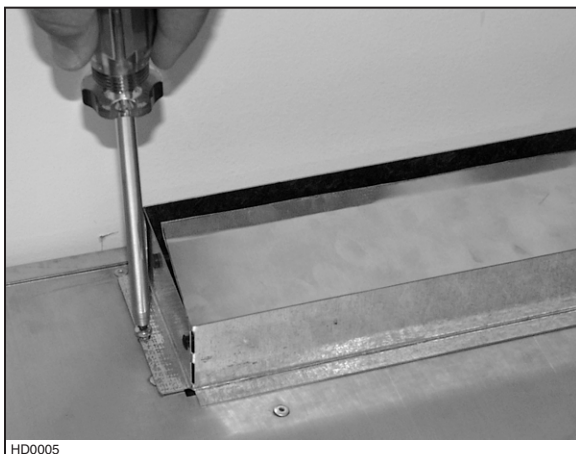


*Inserción del desviador en la campana.*

## 10. INSTALE EL ADAPTADOR (VENTILADORES P5 Y P8 SOLAMENTE)

Utilizando los 2 tornillos estandar 1/2", instale el adaptador encima o detrás de la campana. Luego selle el adaptador con la ayuda de una cinta adhesiva metálica para tubos.

NOTA: Para una evacuación vertical, asegúrese que el pivote del válvula está localizado hacia el frente de la campana.



## 11. INSTALE LA CAMPANA (TODOS LOS VENTILADORES)

### VENTILADOR INTERIOR

Pase la alimentación eléctrica hasta el lugar de la instalación de la campana. Coloque la campana en su posición. Con la ayuda de un lápiz marque la posición de los tornillos (pequeña parte del hoyo en forma de pera) retire la campana e instale los 8 tornillos de 1/2" doble hilillo dejando un espacio de 1/8" (4 tornillos para la campana de 30"). Saque la tapa de la caja eléctrica, inserte el alambre eléctrico. Pase el cable eléctrico en la campana y apriete el tornillo del alambre eléctrico en la entrada de la campana para mantener los cables en su posición. Coloque la campana debajo del armario (los tornillos pasan a través de la parte grande de los hoyos) y deslice la campana en su posición. Asegúrese que adaptador entre en el conducto. Atornille completamente los tornillos para que la campana se mantenga en su posición.



### VENTILADOR EN LÍNEA O EXTERIOR

Pase la alimentación eléctrica hasta el lugar de la instalación de la campana. Coloque la campana en su posición. Con la ayuda de un lápiz marque la posición de los tornillos (pequeña parte del hoyo en forma de pera) retire la campana e instale los 8 tornillos de 1/2" doble hilillo dejando un espacio de 1/8" (4 tornillos para la campana de 30"). Saque la tapa de la caja eléctrica en encima de la campana y conecte los cables (vea instrucciones incluye con el ventilador exterior). Coloque la campana debajo del armario (los tornillos pasan a través de la parte grande de los hoyos) y deslice la campana en su posición. Atornille completamente los tornillos para que la campana se mantenga en su posición.

## 12. CONEXIÓN ELÉCTRICA (TODOS LOS VENTILADORES)

### ⚠ ADVERTENCIA

**Peligro de choque eléctrico. La instalación eléctrica debe ser hecha por personal calificado de acuerdo con todos los códigos aplicables y normas. Antes de efectuar el empalme, cortar la alimentación eléctrica del interruptor y cerrar con seguridad para prevenir una alimentación accidental.**

**VENTILADOR INTERIOR:** Conecte los cables a la caja eléctrica utilizando los conectores de cables.

Conecte el cable NEGRO al NEGRO, el BLANCO al BLANCO y el VERDE o desnudo al el tornillo que toma de tierra. Reemplace la tapa.

**JAMÁS DEBE OLVIDARSE DE CONECTAR LA TOMA DE TIERRA.**



**VENTILADOR EN LÍNEA O EXTERIOR:** Saque la tapa de la caja eléctrica de la bandeja de conexión y conecte los cables (vea instrucciones incluye con el ventilador en línea o exterior).

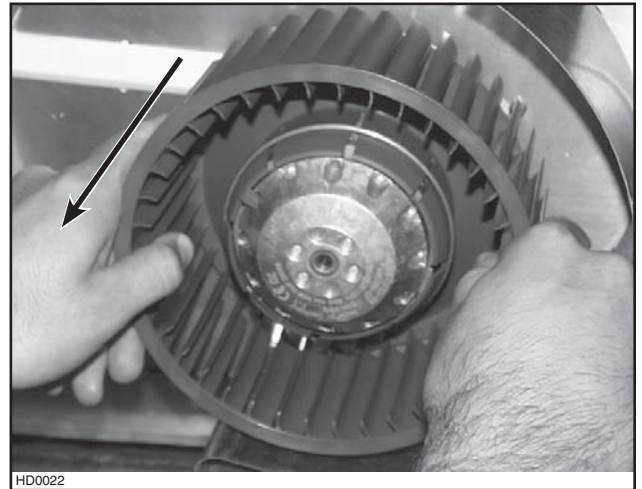


# 13. INSTALACIÓN DEL VENTILADOR (VENTILADORES P5 Y P8 SOLAMENTE)

El ventilador debe ser instalado a la placa del ventilador utilizando 4 tornillos de 3/8". Saque la tapa del ventilador. Saque la(s) rueda(s) del ventilador tirándola delicadamente (ver fotos de abajo).



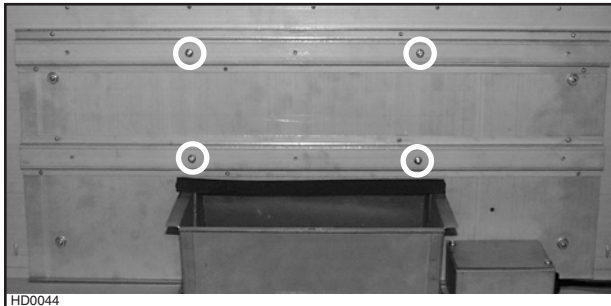
HD0021



HD0022

Instale los tornillos en el lugar que indica las fotos abajo (ventilador P5 o P8), dejando un espacio de más o menos 1/8". Enganche en seguida el ventilador a la placa del ventilador (pase las cabezas de los tornillos a través de la parte grande del hoyo). Enseguida resbale el ventilador en su posición (las cabezas de los tornillos a través de la parte pequeña del hoyo). Atornillar los tornillos completamente.

**VENTILADOR P5**



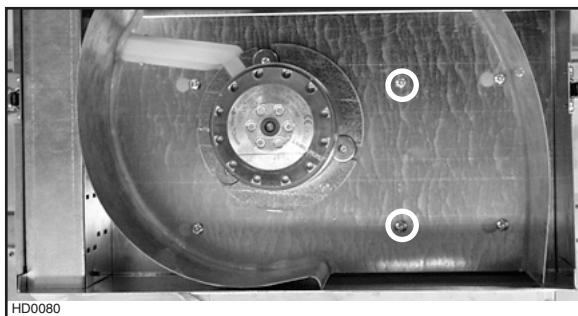
HD0044

**VENTILADOR P8**

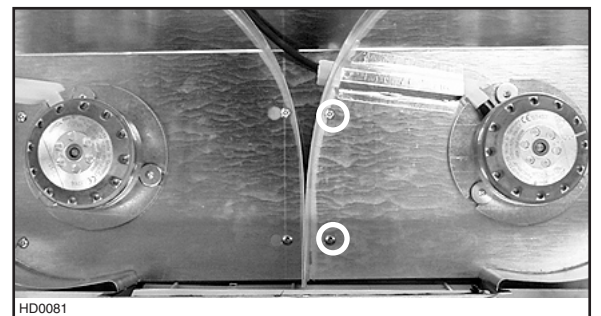


HD0045

Terminar la fijación del ventilador con 2 otros tornillos como se indica en las fotos abajo (ventilador P5 o P8). Reinstale la(s) rueda(s) del ventilador en su posición y la tapa.

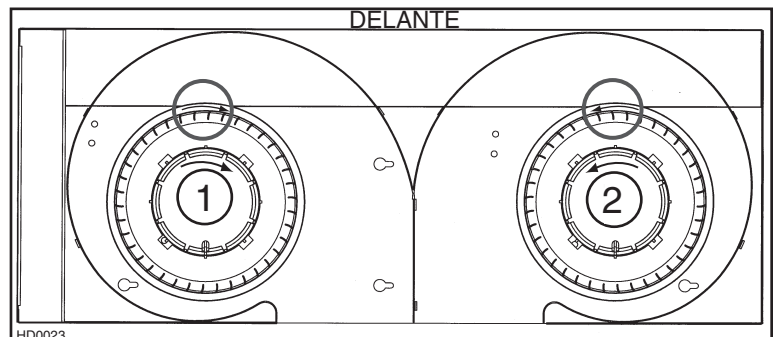


HD0080



HD0081

PARA EL VENTILADOR DOBLE, ASEGURÉSE QUE LAS RUEDAS SEAN BIEN REEMPLAZADAS, LA CAMPANA NO FUNCIONARÁ NORMALMENTE SI ESTÁ AL RÉVES. Las dos ruedas del ventilador son diferentes en el caso de un ventilador doble, una debe girar en el sentido de las agujas del reloj y la otra en el sentido contrario de las agujas del reloj. Cada rueda y motor tiene una flecha y un número, usted debe juntarlos correctamente. (Ver dibujo al lado.)



HD0023

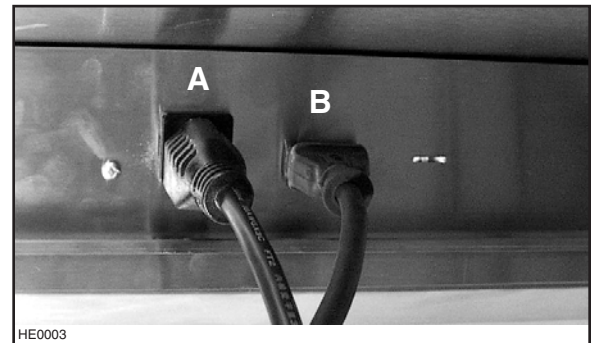


### 13. INSTALACIÓN DEL VENTILADOR (VENTILADORES P5 Y P8 SOLAMENTE) (CONTINUACIÓN)

Conecte el cable de la caja eléctrica (A) y el cable del ventilador (B) a los enchufes detrás del panel de control al interior de la campana.

#### **⚠ ADVERTENCIA**

**Jamás conecte el cable eléctrico del ventilador con el enchufe del cable de alimentación.**



HE0003

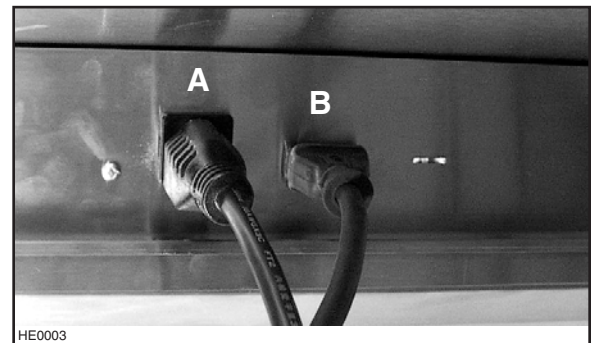
### 14. INSTALACIÓN DEL VENTILADOR (VENTILADORES EXTERIOR Y P3, P6, IQ6 SOLAMENTE)

Consulte las instrucciones que vienen con el ventilador.

Una vez instalado el ventilador, conecte el cable de la caja eléctrica (A) y el cable del ventilador (B) a los enchufes detrás del panel de control al interior de la campana.

#### **⚠ ADVERTENCIA**

**Jamás conecte el cable eléctrico del ventilador con el enchufe del cable de alimentación.**

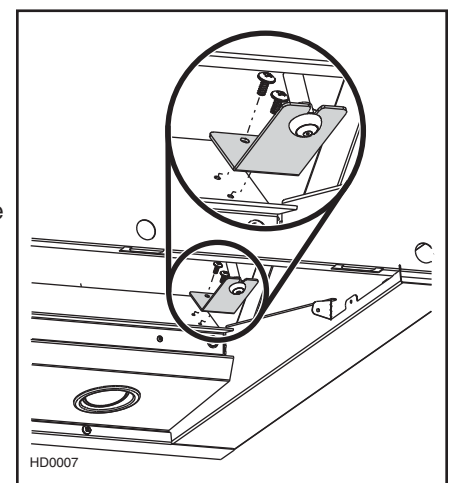


HE0003

### 15. INSTALE EL SOPORTE DEL BOTÓN DE CALIBRACIÓN EN LA CAMPANA (VENTILADOR INTERIOR IQ6 SOLAMENTE)

El ventilador iQ6 es equipado de un botón de calibración ya montado en su soporte. Instale este soporte en la campana con los 2 tornillos incluidos con el ventilador interior iQ6.

Vease los detalles adicionales en las instrucciones incluidas con el ventilador iQ6.



HD0007

## 16. REINSTALACIÓN DEL TABLERO INFERIOR Y DE LOS FILTROS HÍBRIDOS

### PRECAUCIÓN

Retire la película protectora de plástico que cubre los filtros antes de instalarlos.

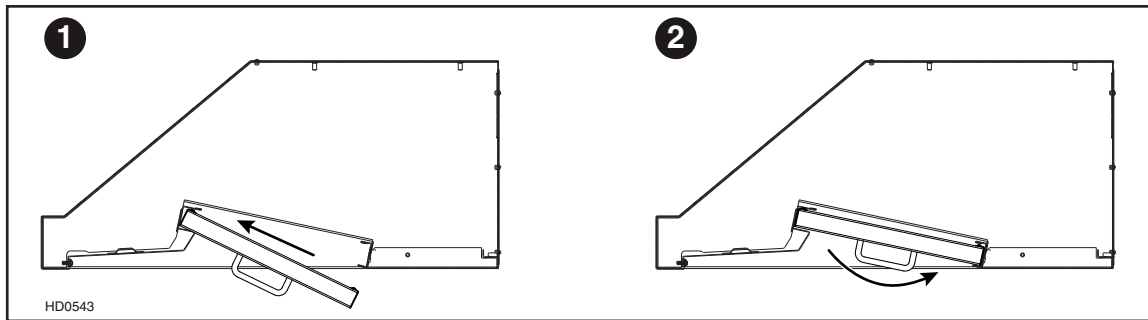
Vuelva a instalar el tablero inferior con los dos tornillos de fijación retirados en el paso 5.

Vuelva a instalar los filtros. Se aconseja instalar primero los filtros laterales y terminar por el/los filtro(s) central(es).

❶ Introduzca el extremo del filtro con su clip en la acanaladura superior de la campana.

❷ Levante el otro extremo hacia la parte interior de la campana e introdúzcalo en el canal de la campana.

Podrá conseguir filtros de recambio en su distribuidor. Vea el tamaño y el número de pieza en la etiqueta que hay dentro de la campana.



## 17. SUSTITUCIÓN DE LAS BOMBILLAS

Esta campana debe utilizar bombillas halógenas protegidas de tipo MR16, de 120 V y 50 W con base GU10 o PAR 16 con base GU10 (incluidas).

### ⚠ ADVERTENCIA

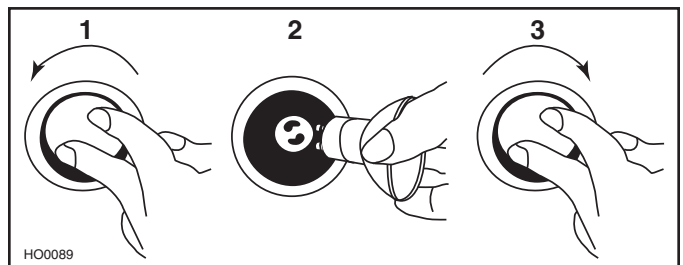
**No tocar las bombillas durante o justo después de la utilización. Pueden causar quemaduras. Para prevenir el riesgo de lesiones corporales, instale solamente bombillas halógenas protegidas. Nunca instalar una bombilla dicróica o no concebida para luminarias empotradas o bombillas identificadas sólo para uso en dispositivos encerrados.**

1. Para quitar las bombillas, empuje suavemente hacia arriba y gire en sentido antihorario para liberar el casquillo de sus ranuras.

NOTA: Para facilitar la extracción de los bombillos utilice un guante de caucho o una ventosa disponible en Best. Para encargarla, telefónee al servicio de atención al cliente de Best en el 1-800-558-1711 (n.º de pieza: 99526707).

2. Instale las bombillas nuevas colocando los casquillos de las bombillas en sus ranuras, en los portalámparas.

3. Empuje suavemente hacia arriba y gire al mismo tiempo en el sentido horario hasta que queden bien afianzadas.



## 18. MANTENIMIENTO

---

### **Los filtros híbridos y la(s) rueda(s) del ventilador\***

Los filtros, canal y la rueda del ventilador deben ser frecuentemente limpiadas. Utilice una disolución de detergente con agua templada. Lávelos con mayor frecuencia si su tipo de cocina genera más grasa (alimentos fritos o cocina con wok).

Empuje los filtros hacia el interior de la campana y libere los del canal para que en seguida los retire de la campana. Los filtros y la rueda del ventilador se pueden lavar en el lavavajillas.

Limpie los filtros totalmente metálicos en el lavavajillas con un detergente sin fosfato. El filtro podría descolorarse si se utiliza un detergente con fosfato o debido al tipo de agua, pero esto no afecta su funcionamiento. Este descoloramiento no está cubierto por la garantía.

\* Rueda(s) de los modelos de ventilador P5 y P8 solamente.

### **Limpieza de la campana**

Limpieza del acero inoxidable:

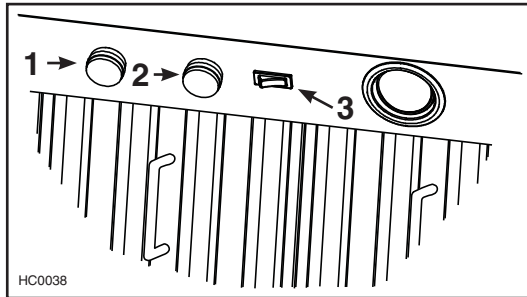
<b>Debe hacerse:</b>	<b>No debe hacerse:</b>
<ul style="list-style-type: none"><li>• Limpiar regularmente las superficies con un trapo limpio humedecido con una mezcla de agua templada y jabón suave o detergente para la vajilla.</li><li>• Limpiar siempre en la dirección de las líneas originales de pulido del acero.</li><li>• Enjuagar siempre con agua limpia (2 o 3 veces) después de limpiar. Seque completamente.</li><li>• También puede utilizar un limpiador doméstico especial para acero inoxidable.</li></ul>	<ul style="list-style-type: none"><li>• Utilizar un estropajo de acero o acero inoxidable u otro tipo de rasquetas para quitar la suciedad resistente.</li><li>• Utilizar limpiadores fuertes o abrasivos.</li><li>• Dejar que la suciedad se acumule.</li><li>• Dejar que el polvo del yeso u otros residuos de la construcción manchen la campana. Si efectúa obras de construcción o renovación, cubra la campana para que no se manche la superficie de acero inoxidable.</li></ul>

### **Al escoger un detergente, evite:**

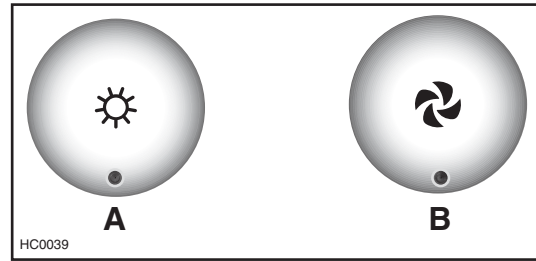
- Los limpiadores que contienen **blanqueador** (lejía), ya que dañarán el acero inoxidable.
- Los productos que contengan **cloruro, fluoruro, yoduro y bromuro**, ya que deterioran las superficies rápidamente.
- Los productos combustibles que se emplean para la limpieza, como **acetona, alcohol, éter, benzol**, etc., ya que son altamente explosivos y nunca deberían estar cerca de una cocina.

## 19. FUNCIONAMIENTO

Ponga en marcha siempre la campana antes de empezar a cocinar para generar una corriente de aire en la cocina. Deje en marcha el ventilador durante unos minutos para renovar el aire una vez que haya apagado la cocina. Esto ayudará a que toda la cocina esté más limpia y despejada.



- 1) BOTÓN DE LAS LUCES HALÓGENAS  
2) BOTÓN DE CONTROL DE LA VELOCIDAD DEL VENTILADOR  
3) INTERRUPTOR DE ENCENDIDO Y APAGADO DEL VENTILADOR



- A) BOTÓN DE LAS LUCES HALÓGENAS  
B) BOTÓN DE CONTROL DE LA VELOCIDAD DEL VENTILADOR

### ILUMINACIÓN DE LA SUPERFICIE SOBRE LA QUE SE COCINA (LUCES HALÓGENAS)

Un botón giratorio con 3 posiciones (1) permite controlar las luces halógenas (Apagado, baja intensidad, alta intensidad).

### VENTILADOR

El ventilador funciona con dos mandos.

Utilice el interruptor oscilante (3) para encender y apagar el ventilador. Cuando está encendido, el ventilador funciona a la velocidad que se haya establecido antes con el mando de velocidad (2).

Gire el botón de control de la velocidad en sentido antihorario para aumentar la velocidad del ventilador y en sentido horario para disminuirla.

### HEAT SENTRY™

La campana viene equipada con un termostato HEAT SENTRY™. Se trata de un dispositivo que enciende o acelera el ventilador cuando detecta un calor excesivo sobre la superficie sobre la que se cocina.

- 1) Si el ventilador está APAGADO, se pondrá en marcha en la velocidad ALTA.
- 2) Si el ventilador está ENCENDIDO en una velocidad baja, el termostato lo pondrá en la velocidad ALTA.

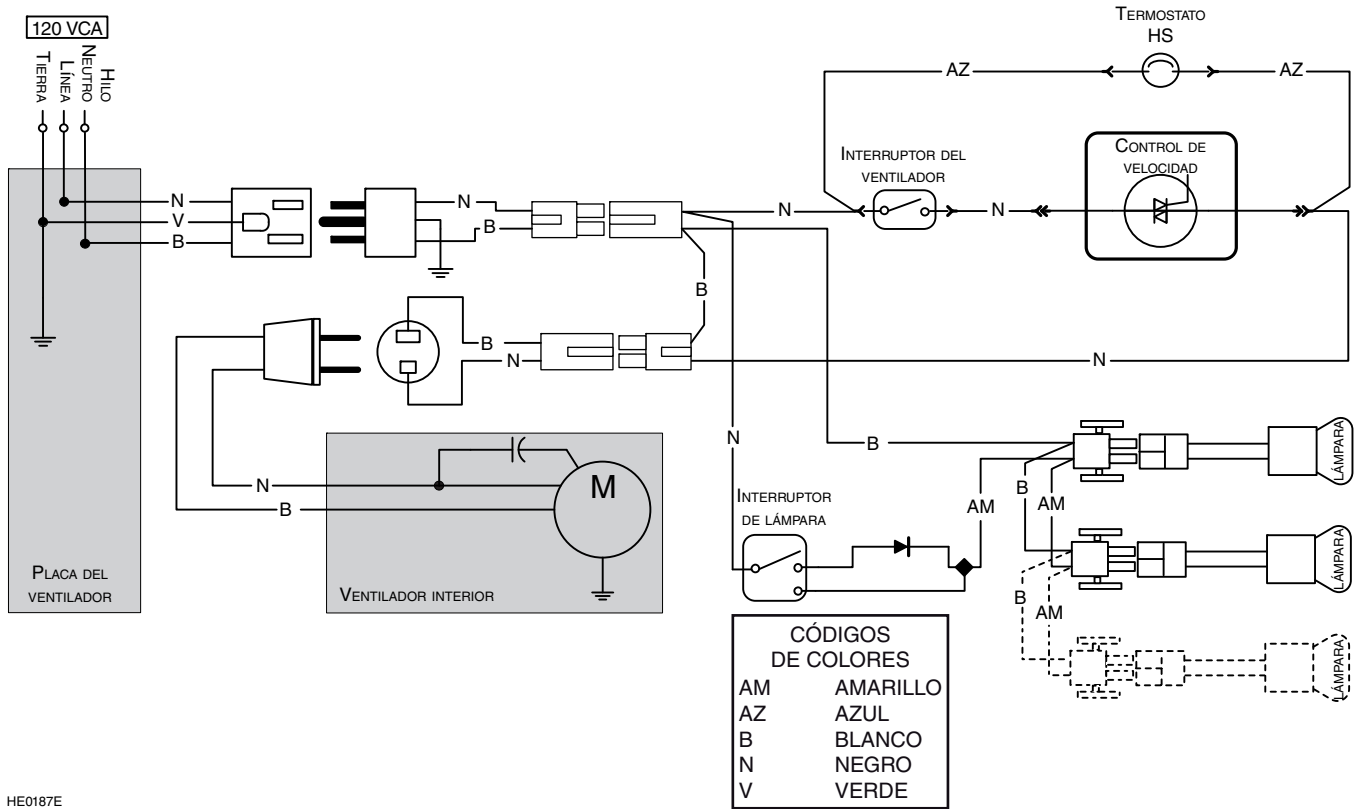
### **⚠ ADVERTENCIA**

**En el caso de fuego de cocción o durante un calor excesivo, el Heat Sentry puede poner en marcha el ventilador, incluso si este está apagado. Si este es el caso, es imposible parar el ventilador con su interruptor. Si usted necesita detener el ventilador, desconecte de la campana el cordón de alimentación del ventilador (situado detrás de los filtros) tirando del conector de 2 terminales; no tire del cable.**

Cuando la temperatura baja al nivel normal, el ventilador vuelve a su configuración original.

# 20. DIAGRAMAS ELÉCTRICOS

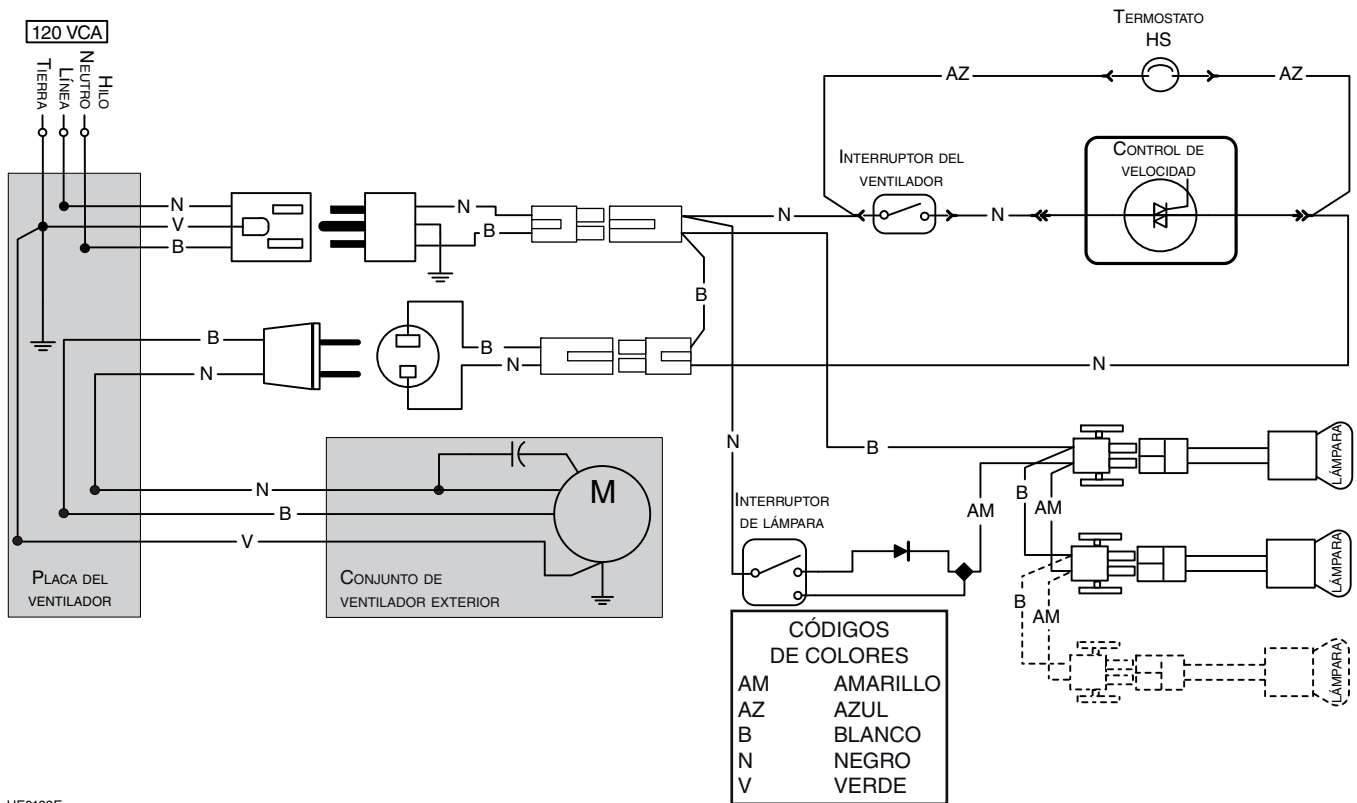
## VENTILADOR INTERIOR



HE0187E

## 20. DIAGRAMAS ELÉCTRICOS (CONTINUACIÓN)

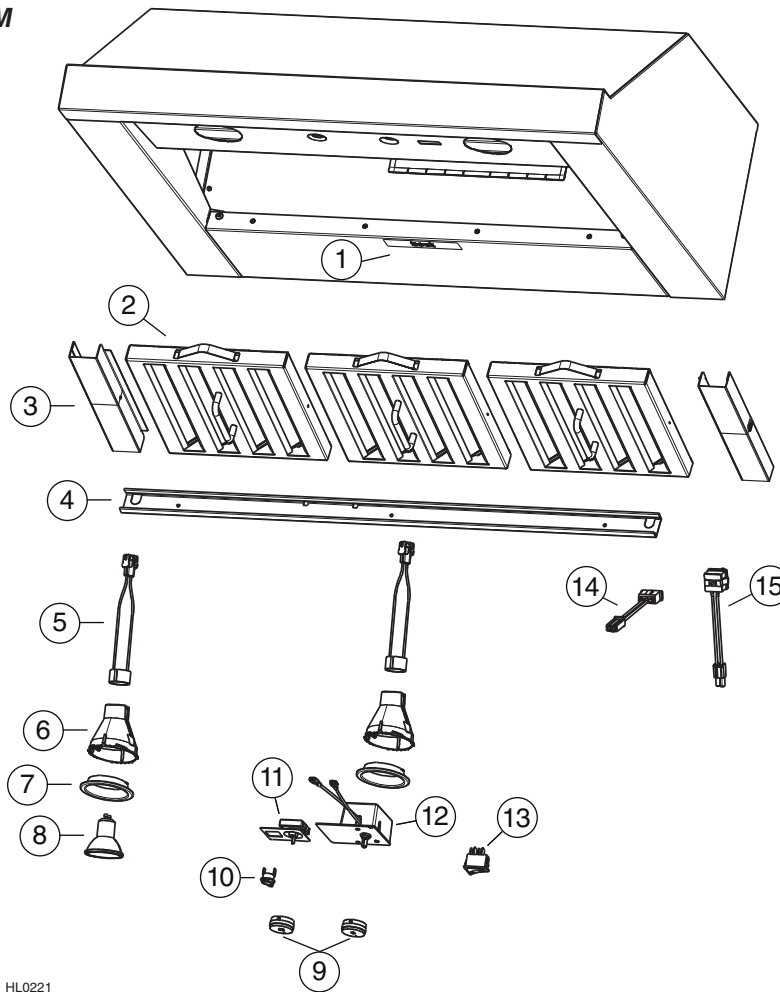
### VENTILADOR EXTERIOR O EN LÍNEA



HE0188E

# 21. PIEZAS

## Modelo UP26M



HL0221

### SUSTITUCIÓN DE PIEZAS Y REPARACIÓN

Para que la unidad se conserve en buen estado, debe usar repuestos genuinos de Broan-NuTone únicamente. Estas piezas se han diseñado especialmente para cada unidad y se han fabricado conforme a las normas de certificación aplicables y un elevado nivel de seguridad. El uso de repuestos de otros fabricantes podría causar daños graves y reducir radicalmente el desempeño de la unidad, causando así fallas prematuras. Broan-NuTone también aconseja ponerse en contacto con un taller de reparación homologado por Broan-NuTone para todos los repuestos y reparaciones.

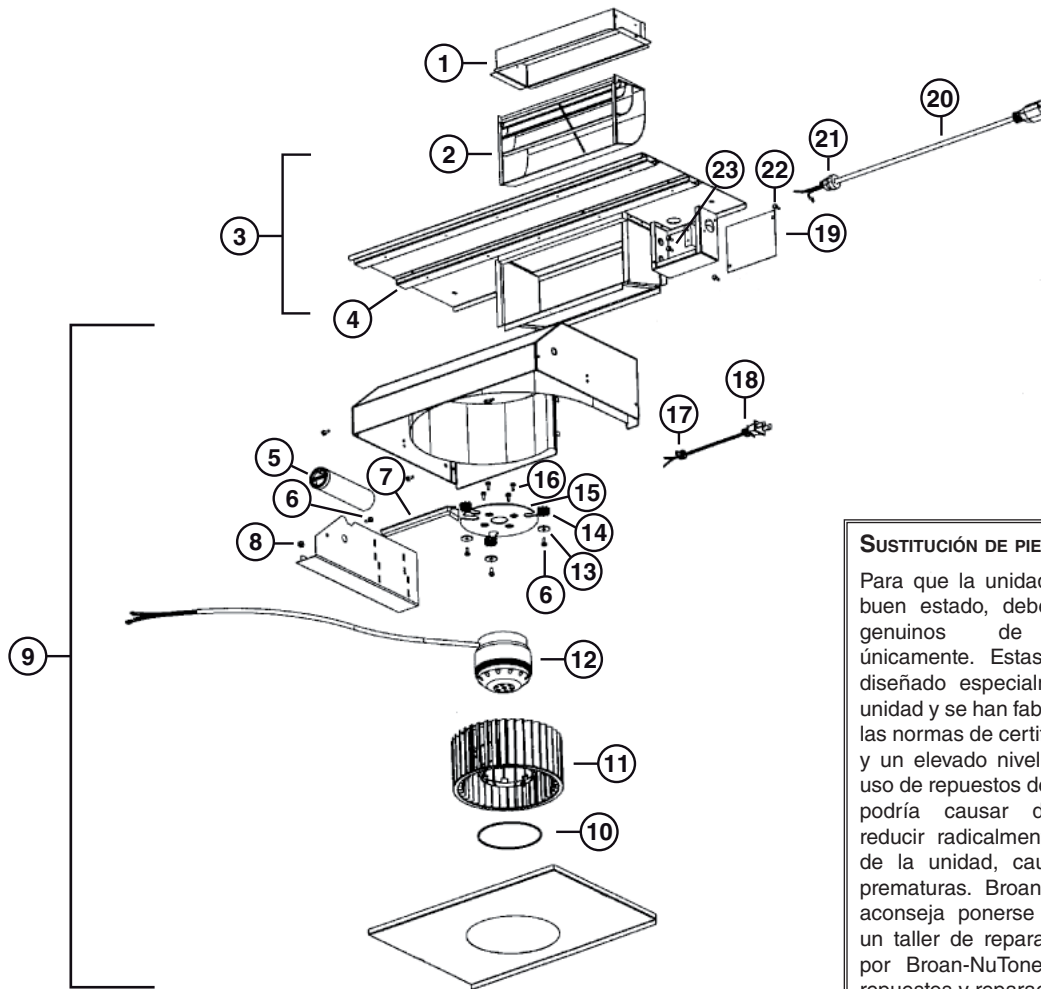
N.º DE REF.	N.º DE LA PIEZA	DESCRIPCIÓN	CTD (ANCHURA DE CAMPANA)			
			30"	36"	42"	48"
1	SV05869	LOGOTIPO BEST	1	1	1	1
2	SV61639	FILTROS HÍBRIDOS 8.84" x 8.61" (CON MANIJA)	-	3	1	-
	SV61640	FILTROS HÍBRIDOS 11.84" x 8.61" (CON MANIJA)	2	-	2	3
3	SV61691	SEPARADOR DE LOS FILTROS 1.6" (PAR)	-	1	1	-
	SV61679	SEPARADOR DE LOS FILTROS 3" (PAR)	-	-	-	1
4	SV61742	CANAL 30"	1	-	-	-
	SV61743	CANAL 36"	-	1	-	-
	SV61744	CANAL 42"	-	-	1	-
	SV61745	CANAL 48"	-	-	-	1
5	SV05917	CASQUILLO GU10	2	2	3	3
6	SV09435	SOPORTE DEL CASQUILLO GU10	2	2	3	3
7	SV09434	ANILLO ORNAMENTAL ACERO INOXIDABLE	2	2	3	3
8	SV05921	BOMBILLAS HALÓGENAS PROTEGIDAS DE TIPO (50 W, 120 V, PAR16, GU10)	2	2	3	3
9	SV08578	BOTONES DEL VENTILADOR Y DE LAS LUCES (2)	1	1	1	1
10	SV03435	THERMOSTATO	1	1	1	1
11	SV08338	INTERRUPTOR DE LA LUZ	1	1	1	1
12	SV03501	CONTROL DE LA VELOCIDAD	1	1	1	1
13	SV08548	INTERRUPTOR OSCILANTE DEL VENTILADOR	1	1	1	1
14	SV13923	CONECTADOR HEMBRA	1	1	1	1
15	SV13924	CONECTADOR MACHO	1	1	1	1
*	SV17645	SOPORTE DEL THERMOSTATO	1	1	1	1
*	SV21517	MANUAL DE INSTALACIÓN	1	1	1	1
*	SV13278	BOLSA DE INSTALACIÓN: 4 TUERCAS A BRIDA N.º 10-32, 1 ALAMBRE ELÉCTRICO LP16-AP, 2 TORNILLOS N.º 6 x 1/2", 2 CONECTADOR DE CABLE N.º 74B, 8 TORNILLOS DOBLE HILILLO 6-12 x 1/2", 6 TORNILLOS N.º 8 x 3/8"	1	1	1	1

\* NO SE MUESTRAN.



## 21. PIEZAS (CONTINUACIÓN)

### PLACA Y VENTILADOR SIMPLE (Modelo P5)



HL0021

#### SUSTITUCIÓN DE PIEZAS Y REPARACIÓN

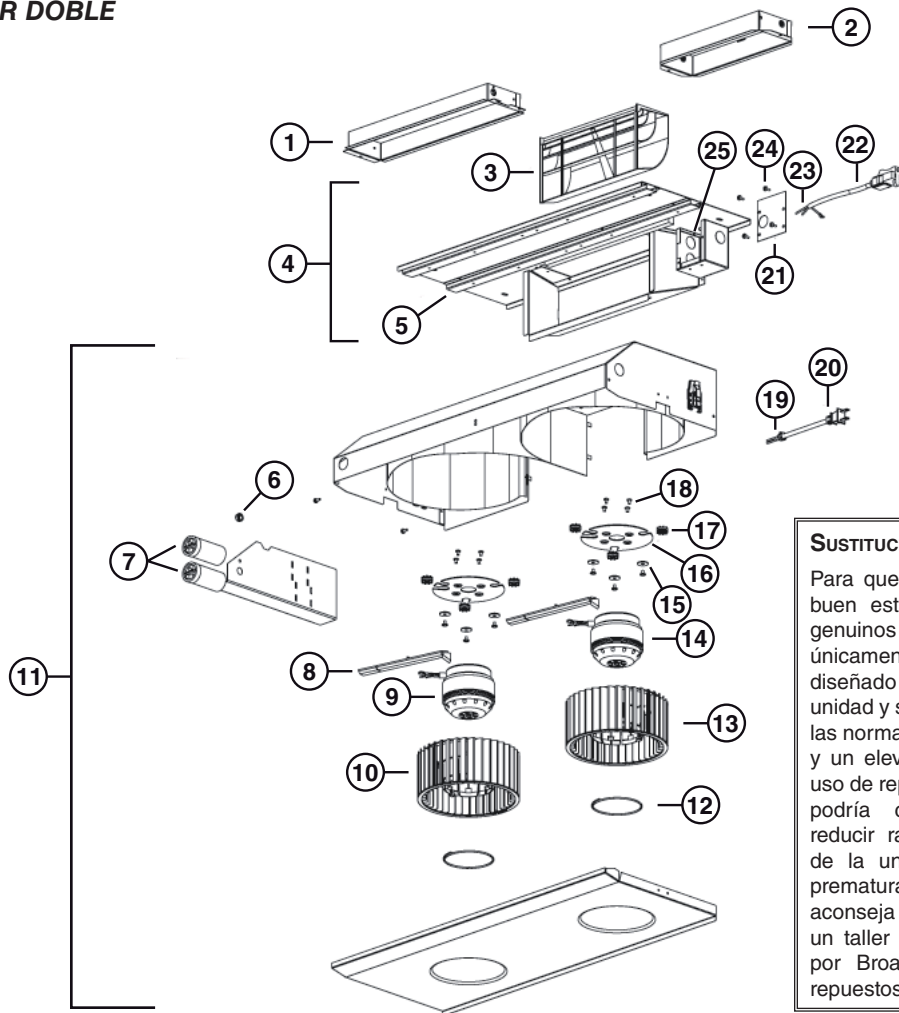
Para que la unidad se conserve en buen estado, debe usar repuestos genuinos de Broan-NuTone únicamente. Estas piezas se han diseñado especialmente para cada unidad y se han fabricado conforme a las normas de certificación aplicables y un elevado nivel de seguridad. El uso de repuestos de otros fabricantes podría causar daños graves y reducir radicalmente el desempeño de la unidad, causando así fallas prematuras. Broan-NuTone también aconseja ponerse en contacto con un taller de reparación homologado por Broan-NuTone para todos los repuestos y reparaciones.

N.º DE REF.	N.º DE LA PIEZA	DESCRIPCIÓN	CTD
1	SV13296	ADAPTADOR & COMPUERTA 3¼" x 10"	1
2	SV03500	DEFLECTOR DE AIRE	1
3	SV12997	MONTAJE DE PLACA DE VENTILADOR SIMPLE	1
4	SV03577	ESPUMA 1/2" x 1/2" x 12"	1
5	SV02160	CONDENSADOR 15 µF	1
6	*	TORNILLO MECÁNICO N.º 6-32 x 1/4"	4
7	SV01857	CUBRE-CABLE	1
8	*	TUERCA DENTELLADA N.º 6-32	1
9	SV14973	MONTAJE DE VENTILADOR SIMPLE	1
10	SV01810	ANILLO RUEDA	1
11	SV03400	RUEDA CAMPANA 7.094" x 3.375" CW	1
12	SV01766	MOTOR 165 W CW	1
13	*	ARANDELA 3/16" DI x 3/4" DE	3
14	SV02001	OJETE MOTOR G-431-1	3
	*	ABRAZADERA 8"	2
15	SV11705	SOPORTE MOTOR	1
	*	CABLE N.º 18 TEW MARRÓN X 10"	1
16	SV01927	TORNILLO METRICO M4 x 6 MM (TIPO PAN) QDRX	4
17	SV03495	APAGO DE TRACCIÓN CABLE VENTILADOR	1
18	SV03494	CABLE ALIMENTACIÓN VENTILADOR 36"	1
19	SV13230	PUERTA CONEXIÓN ELÉCTRICA	1
20	SV03496	CABLE ALIMENTACIÓN 120 VOLTIOS	1
21	SV00660	APAGO DE TRACCIÓN CABLE ALIMENTACIÓN	1
22	*	TORNILLO N.º 8 x 3/8", T/B, CABEZA N.º 8	2
23	*	TORNILLO N.º 10-32 x 3/8", TF, VERDE	2

\* HERRAJE ESTÁNDAR, SE PUEDE COMPRAR LOCALMENTE.

## 21. PIEZAS (CONTINUACIÓN)

### PLACA Y VENTILADOR DOBLE (Modelo P8)



#### SUSTITUCIÓN DE PIEZAS Y REPARACIÓN

Para que la unidad se conserve en buen estado, debe usar repuestos genuinos de Broan-NuTone únicamente. Estas piezas se han diseñado especialmente para cada unidad y se han fabricado conforme a las normas de certificación aplicables y un elevado nivel de seguridad. El uso de repuestos de otros fabricantes podría causar daños graves y reducir radicalmente el desempeño de la unidad, causando así fallas prematuras. Broan-NuTone también aconseja ponerse en contacto con un taller de reparación homologado por Broan-NuTone para todos los repuestos y reparaciones.

HL0022

N.º DE REF.	N.º DE LA PIEZA	DESCRIPCIÓN	CTD
1	SV14971	ADAPTADOR & COMPUERTA 3¼" x 14"	1
2	SV13296	ADAPTADOR & COMPUERTA 3¼" x 10"	1
3	SV03500	DEFLECTOR DE AIRE	1
4	SV14975	MONTAJE DE PLACA DE VENTILADOR DOBLE	1
5	SV03577	ESPUMA 1/2" x 1/2" x 12"	1
6	*	TUERCA DENTELLADA N.º 6-32	1
7	SV02160	CONDENSADOR 15 µF	2
8	SV01857	CUBRE-CABLE	2
9	SV01766	MOTOR 165 W CW	1
10	SV03400	RUEDA CAMPANA 7.094" x 3.375" CW	1
11	SV14974	MONTAJE DE VENTILADOR DOBLE	1
12	SV01810	ANILLO RUEDA	2
13	SV03399	RUEDA CAMPANA 7.094" x 3.375" CCW	1
14	SV03457	MOTOR 165 W CCW	1
15	*	ARANDELA 3/16" DI x 3/4" DE	6
	*	ABRAZADERA 8"	4
16	SV11705	SOPORTE MOTOR	2
	*	CABLE N.º 18 TEW MARRÓN x 10"	2
17	SV02001	OJETE MOTOR G-431-1	6
18	SV01927	TORNILLO MÉTRICO M4 x 6 MM (TIPO PAN) QDRX	8
19	SV03495	APAGO DE TRACCIÓN CABLE VENTILADOR	1
20	SV03494	CABLE ALIMENTACIÓN VENTILADOR 36"	1
21	SV14960	PUERTA CONEXIÓN ELÉCTRICA	1
22	SV03496	CABLE ALIMENTACIÓN 120 VOLTIOS	1
23	SV00660	APAGO DE TRACCIÓN CABLE ALIMENTACIÓN	1
24	*	TORNILLO N.º 8 x 3/8", T/B, CABEZA N.º 8	4
25	*	TORNILLO N.º 10-32 x 3/8", TF, VERDE	2

\* HERRAJE ESTÁNDAR, SE PUEDE COMPRAR LOCALMENTE.

## 22. GARANTÍA

### GARANTÍA LIMITADA DE UN AÑO

Broan-NuTone LLC (Broan-NuTone) garantiza al consumidor comprador original de Best productos que dichos productos carecerán de defectos en materiales o en mano de obra por un período de un año a partir de la fecha original de compra. NO EXISTEN OTRAS GARANTÍAS, EXPRESAS O IMPLÍCITAS, INCLUYENDO, PERO NO LIMITADAS A, GARANTÍAS IMPLÍCITAS DE COMERCIALIZACIÓN O ACTITUD PARA UN PROPOSITO PARTICULAR.

Durante el período de un año, y a su propio criterio, Broan-NuTone reparará o reemplazará, sin costo todo producto o pieza que se encuentre defectuosa bajo condiciones normales de servicio y uso.

ESTA GARANTÍA NO SE APLICA A LOS CEBADORES, TUBOS, BOMBILLAS HALÓGENAS Y INCANDESCENTES, A LOS FUSIBLES, FILTROS, TUBOS, CAPUCHONES PARA TEJADOS, CAPUCHONES MURALES Y OTROS ACCESORIOS DE CANALIZACIÓN.

Esta garantía no cubre (a) mantenimiento y servicios normales o (b) cualquier productos o piezas que hayan sido mantenidas o reparadas inapropiadamente (por otras compañías que sea Broan-NuTone), instalación defectuosa, o instalación no conforme a las instrucciones de instalación recomendadas.

La duración de cualquier garantía implícita se limita a un periodo de un año como se especifica en la garantía expresa. Algunos estados o provincias no permiten limitaciones en cuanto al tiempo de expiración de una garantía implícita, por lo que la limitación antes mencionada puede no aplicarse a usted.

**LA OBLIGACIÓN DE BROAN-NUTONE DE REPARAR O REEMPLAZAR, SIGUIENDO EL CRITERIO DE BROAN-NUTONE DEBERÁ SER EL UNICO Y EXCLUSIVO RECURSO LEGAL DEL COMPRADOR BAJO ESTA GARANTÍA. BROAN-NUTONE NO SERÁ RESPONSABLE POR DAÑOS ACCIDENTALES, CONSIGUIENTES, O POR DAÑOS ESPÉCIALES SURGIDOS O EN CONEXIÓN CON EL USO O EL RENDIMIENTO DEL PRODUCTO. Algunos estados o provincias no permiten la exclusión o limitación de daños accidentales o consiguientes, por lo que la limitación antes mencionada puede no aplicarse a usted.**

Esta garantía le proporciona derechos legales específicos, y usted puede también tener otros derechos, los cuales varían de estado a estado o de provincia a provincia. Esta garantía reemplaza todas las garantías anteriores.

Para calificar en el servicio de garantía, usted debe (a) notificar a Broan-NuTone a la dirección o teléfono que se menciona abajo, (b) dar el número del modelo y la identificación de la pieza y (c) describir la naturaleza de cualquier defecto en el producto o pieza. En el momento de solicitar servicio cubierto por la garantía, usted debe presentar evidencia de la fecha original de la compra.

**En los Estados Unidos - Best®**, 926 W. State Street, Hartford, WI 53027 (800-558-1711)

**En Canadá - Best®**, 550 boul. Lemire, Drummondville, (Québec), Canada J2C 7W9 (866-737-7770)

[www.BestRangeHoods.com](http://www.BestRangeHoods.com)

