

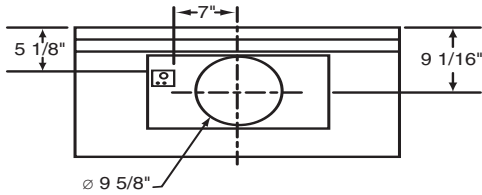
- WP28M SERIES RANGE HOOD SYSTEM - BLOWER DUCTING POSITION

BLOWER DUCTING POSITION

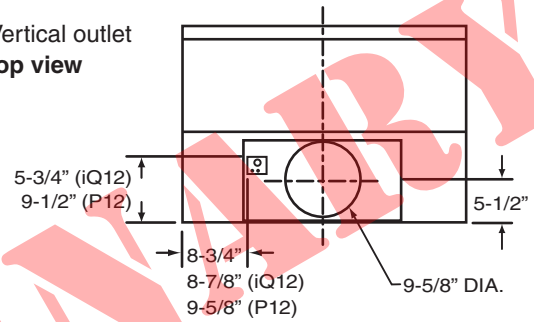
(Choice of transition will determine the final duct placement.)

MODEL EB6, EB9, EB12, EB15, ILB3, ILB6, ILB9, ILB11, P12 & iQ12:

Horizontal outlet
back view

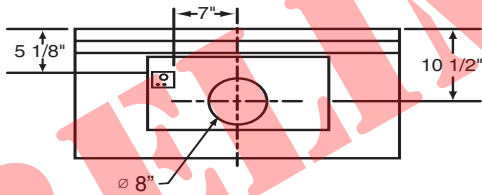


Vertical outlet
top view

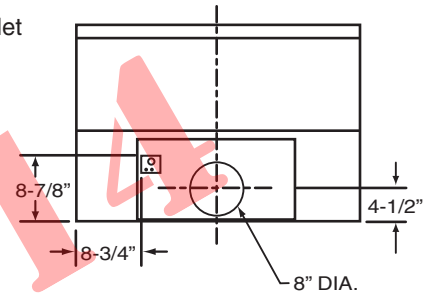


MODEL P6 & iQ6:

Horizontal outlet
back view



Vertical outlet
top view



Note: The electrical box dimensions are 2.5" x 3"