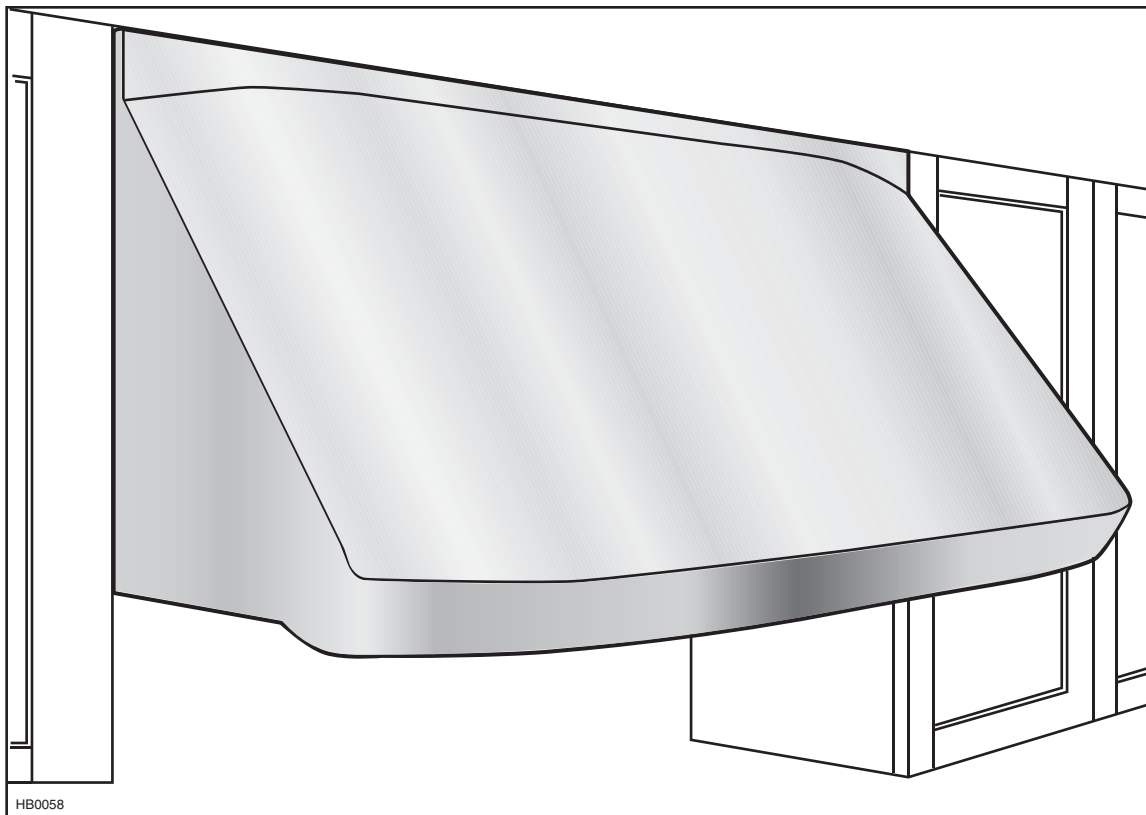


# best®



## WP29M SERIES

⚠ INTENDED FOR DOMESTIC COOKING ONLY ⚠

**READ AND SAVE THESE INSTRUCTIONS**

INSTALLER: LEAVE THIS MANUAL WITH HOMEOWNER.  
HOMEOWNER: USE AND CARE AND OPERATION INFORMATION  
ON PAGES 11 AND 12.

BEST; Hartford, Wisconsin [www.BestRangeHoods.com](http://www.BestRangeHoods.com) 800-558-1711  
BEST; Drummondville, QC, Canada [www.BestRangeHoods.com](http://www.BestRangeHoods.com) 866-737-7770

To register your product online or for additional information visit [www.BestRangeHoods.com](http://www.BestRangeHoods.com)

## **⚠ WARNING**

### **TO REDUCE THE RISK OF FIRE, ELECTRIC SHOCK OR INJURY TO PERSONS, OBSERVE THE FOLLOWING:**

1. Use this unit only in the manner intended by the manufacturer. If you have questions, contact the manufacturer at the address or telephone number listed in the warranty.
2. Before servicing or cleaning unit, switch power off at service panel and lock service disconnecting means to prevent power from being switched on accidentally. When the service disconnecting means cannot be locked, securely fasten a prominent warning device, such as a tag, to the service panel.
3. Installation work and electrical wiring must be done by qualified personnel in accordance with all applicable codes and standards, including fire-rated construction codes and standards.
4. Sufficient air is needed for proper combustion and exhausting of gases through the flue (chimney) of fuel burning equipment to prevent backdrafting. Follow the heating equipment manufacturer's guidelines and safety standards such as those published by the National Fire Protection Association (NFPA) and the American Society for Heating, Refrigeration and Air Conditioning Engineers (ASHRAE) and the local code authorities.
5. When cutting or drilling into wall or ceiling, do not damage electrical wiring and other hidden utilities.
6. Ducted fans must always be vented to the outdoors.
7. Do not use this unit with any additional solid-state speed control device.
8. To reduce the risk of fire, use only metal ductwork.
9. This unit must be grounded.
10. When applicable local regulations comprise more restrictive installation and/or certification requirements, the aforementioned requirements prevail on those of this document and the installer agrees to conform to these at his own expenses.

### **TO REDUCE THE RISK OF A RANGE TOP GREASE FIRE:**

- a) Never leave surface units unattended at high settings. Boilovers cause smoking and greasy spillovers that may ignite. Heat oils slowly on low or medium settings.
- b) Always turn power pack ON when cooking at high heat or when flambeing food (i.e.: Crêpes Suzette, Cherries Jubilee, Peppercorn Beef Flambé).
- c) Clean ventilating fans frequently. Grease should not be allowed to accumulate on fan, filters or in exhaust ducts.
- d) Use proper pan size. Always use cookware appropriate for the size of the surface element.

## **⚠ WARNING**

### **TO REDUCE THE RISK OF INJURY TO PERSONS IN THE EVENT OF A RANGE TOP GREASE FIRE, OBSERVE THE FOLLOWING\*:**

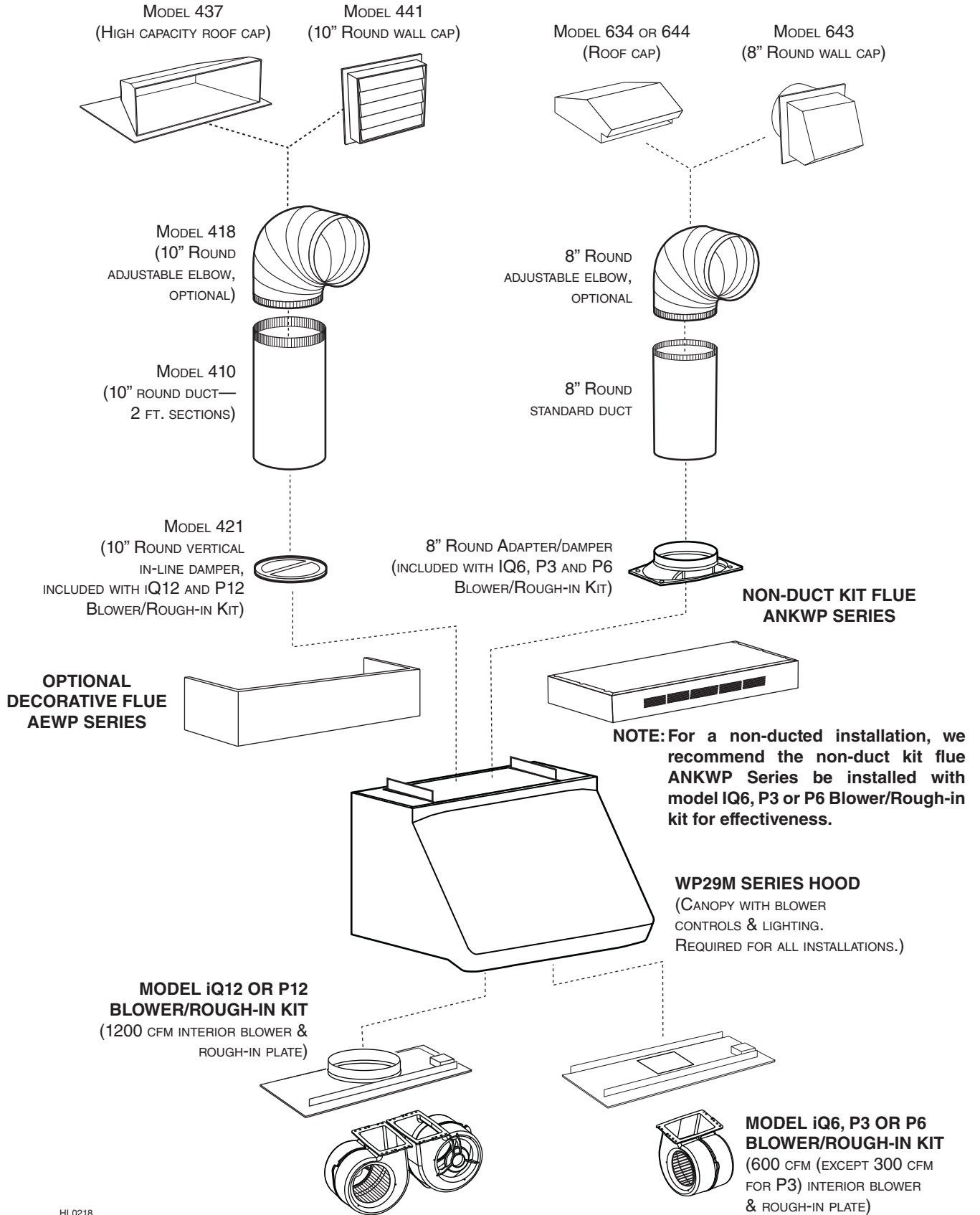
1. SMOTHER FLAMES with a close-fitting lid, cookie sheet or metal tray, then turn off the burner. BE CAREFUL TO PREVENT BURNS. IF THE FLAMES DO NOT GO OUT IMMEDIATELY, EVACUATE AND CALL THE FIRE DEPARTMENT.
2. NEVER PICK UP A FLAMING PAN — You may be burned.
3. DO NOT USE WATER, including wet dishcloths or towels — This could cause a violent steam explosion.
4. Use an extinguisher ONLY if:
  - A. You own a Class ABC extinguisher and you know how to operate it.
  - B. The fire is small and contained in the area where it started.
  - C. The fire department has been called.
  - D. You can fight the fire with your back to an exit.

\* Based on "Kitchen Fire Safety Tips" published by NFPA.

## **CAUTION**

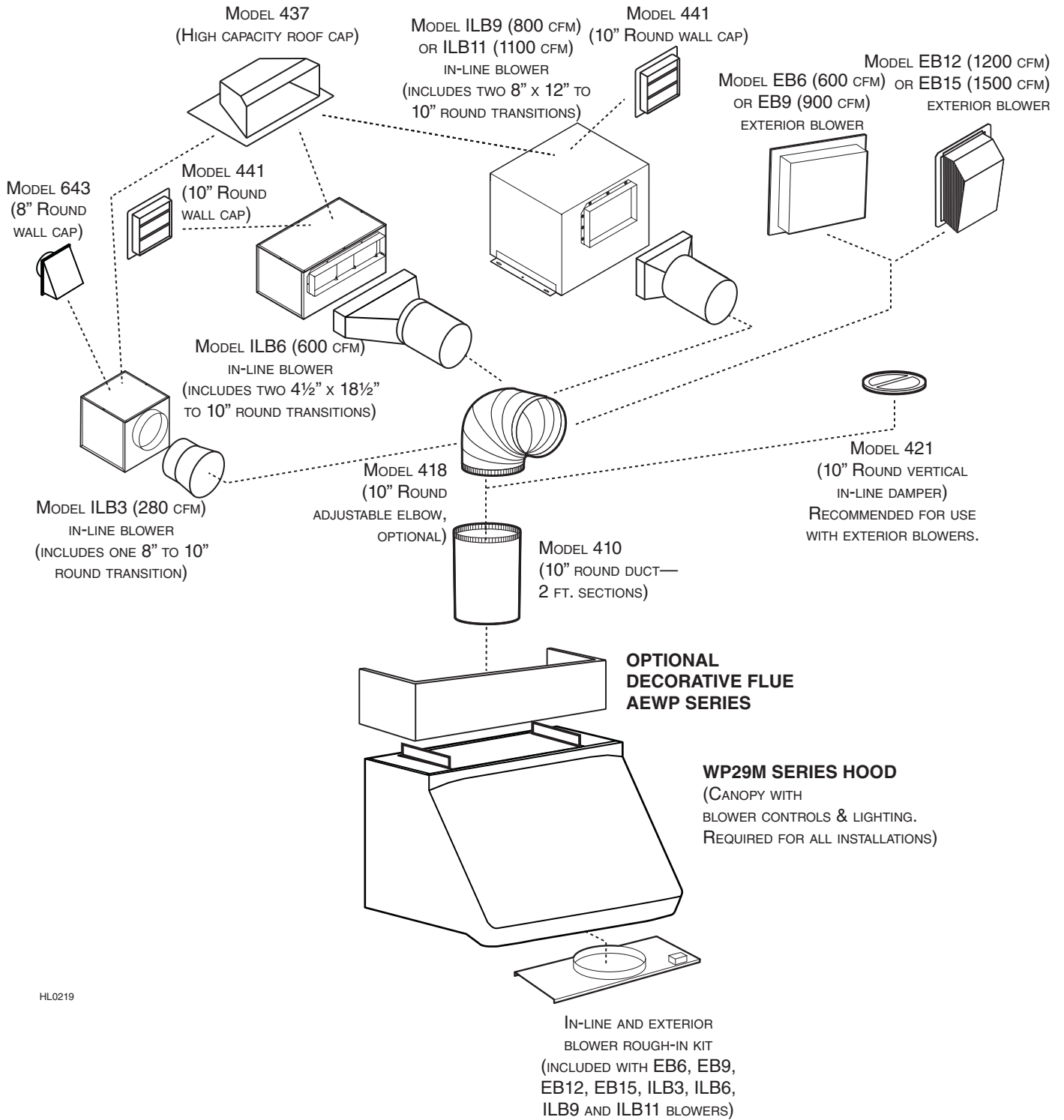
1. For indoor use only.
2. For general ventilating use only. Do not use to exhaust hazardous or explosive materials and vapors.
3. To avoid motor bearing damage and noisy and/or unbalanced impellers, keep drywall spray, construction dust, etc. off power unit.
4. Your range hood motor has a thermal overload which will automatically shut off the motor if it becomes overheated. The motor will restart when it cools down. If the motor continues to shut off and restart, have the range hood serviced.
5. For best capture of cooking impurities, the bottom of the hood should be at a minimum of 24" and at a maximum of 36" above the cooking surface.
6. Two installers are recommended because of the large size and weight of this unit.
7. To reduce the risk of fire and to properly exhaust air, be sure to duct air outside — Do not exhaust air into spaces within walls or ceiling or into attics, crawl space or garage.
8. This product is equipped with a thermostat which may start blower automatically. To reduce the risk of injury and to prevent power from being switched on accidentally, switch power off at service panel and lock or tag service panel.
9. Because of the high exhausting capacity of this hood, you should make sure enough air is entering the house. Use an appropriate make-up air device or open a window close to or in the kitchen.
10. To reduce the risk of fire and electric shock, the Best WP29M Series hood must be installed with Best interior blower models iQ6, P3, P6, iQ12 or P12; Best exterior blower models EB6, EB9, EB12 or EB15; Best inline blowers models ILB3, ILB6, ILB9, ILB11. Other blowers cannot be substituted. (Blowers sold separately.)
11. Please read specification label on product for further information and requirements.

# - WP29M SERIES RANGE HOOD SYSTEMS - INTERIOR BLOWERS



HL0218

# - WP29M SERIES RANGE HOOD SYSTEMS - IN-LINE AND EXTERIOR BLOWERS



HL0219

# 1. SELECT BLOWER OPTION AND INSTALLATION TYPE

## 1.1 NON-DUCTED INSTALLATION

For a non-ducted installation, we recommend using interior blower Best model iQ6, P3 or P6 for effectiveness. (Blower sold separately.)

The non-duct kit ANKWP Series (sold separately) must be installed. This kit fits hood from 30-inch width up to 48-inch width. See installation instructions included with the non-duct kit ANKWP Series.

## 1.2 DUCTED INSTALLATION

For a ducted installation, either an interior or exterior blower or in-line blower may be used with this hood. The Best WP29M Series must be installed with blower models iQ6, P3, P6, iQ12, P12, ILB3, ILB6, ILB9, ILB11, EB6, EB9, EB12 or EB15 only.

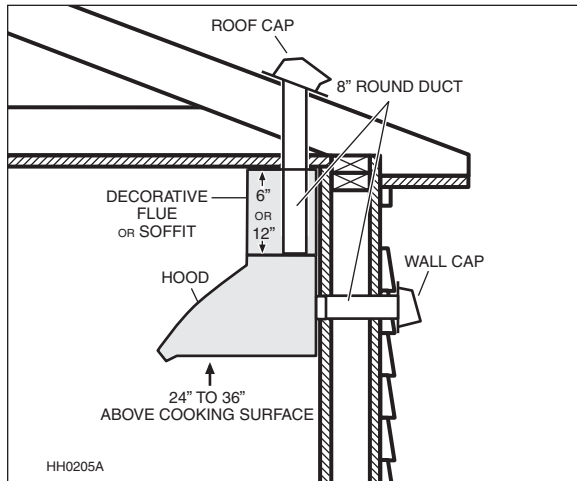
Other blowers cannot be substituted. (Blowers sold separately.)

Plan where and how the ductwork will be installed.

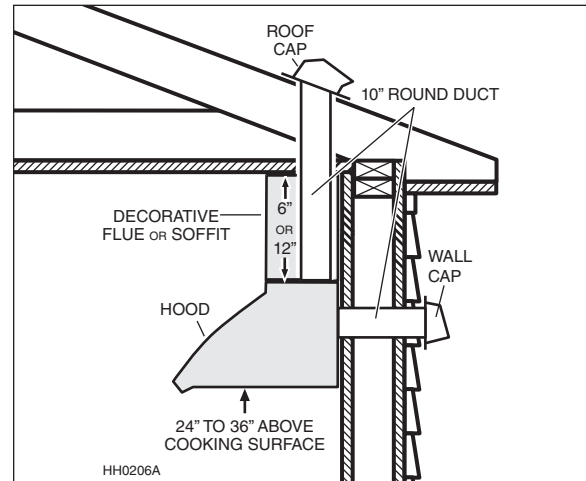
**If installing in-line blower, refer to instructions packed with in-line blower and follow steps 1 up to 8, 11, 12, 15 and up of this manual.**

Install proper-sized ductwork, elbows and roof or wall cap for the type of blower you are installing. Use metal duct tape to seal duct joints.

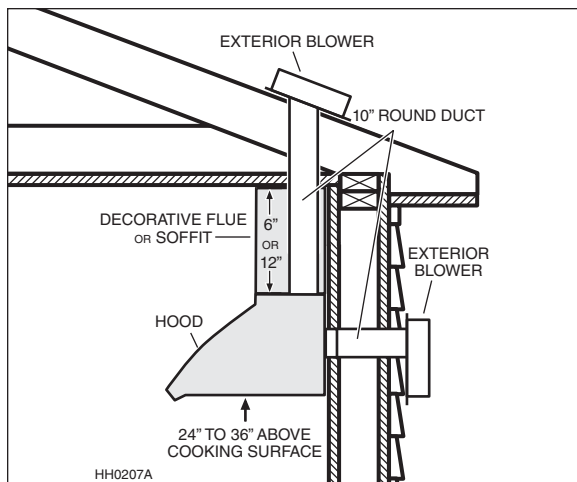
NOTE: It is recommended that there be a minimum of 6" of straight duct from this hood to an elbow for 8" ducting and 12" for 10" ducting.



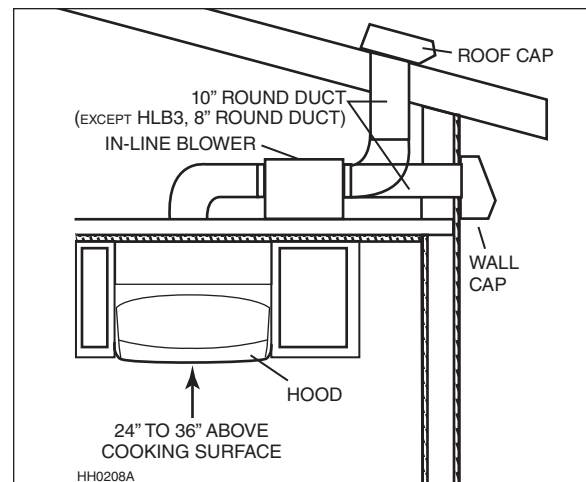
**MODEL iQ6, P3 OR P6  
SINGLE INTERIOR BLOWER  
TYPICAL DUCTWORK**



**MODEL iQ12 OR P12  
DUAL INTERIOR BLOWER  
TYPICAL DUCTWORK**



**MODEL EB6, EB9, EB12 OR EB15  
EXTERIOR BLOWER TYPICAL DUCTWORK**



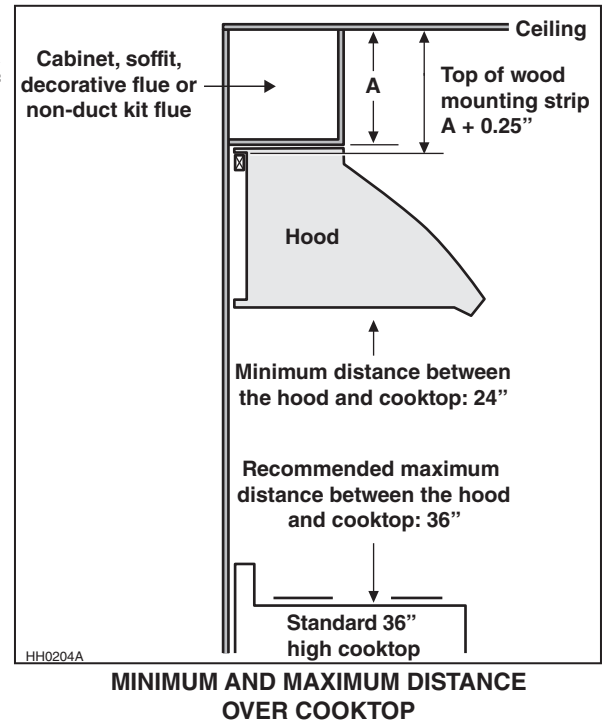
**MODEL ILB3, ILB6, ILB9 OR ILB11  
IN-LINE BLOWER TYPICAL DUCTWORK**

## 2. MEASURE INSTALLATION

Dimensions for the most common installation are shown at right.

**The minimum hood distance above cooktop must not be less than 24". A maximum of 36" above cooktop is highly recommended for best capture of cooking impurities.**

Distances over 36" are at the installer and users discretion.



## 3. PREPARE THE INSTALLATION

### ⚠ WARNING

**When performing installation, servicing or cleaning the unit, it is recommended to wear safety glasses and gloves.**

NOTE: Before proceeding to the installation, check the contents of the box. If items are missing or damaged, contact the manufacturer.

Remove the installation kit from inside the hood.

Make sure that the following items are included:

- Wood strip (screwed on back of hood)
- Installation manual
- Accessories including:
  - Hybrid baffle filters with handles (3 for 30" and 36" width, 4 for 42" width, 5 for 48" and 54" width, 6 for 60" width)
  - Shielded halogen bulbs (GU10 type base, 120 V, 50 W) (4 for hoods up to 42" width, 6 for hoods from 48" to 60" width)
  - Bag of parts including:
    - 4 no. 10-2" flat head screws, 8 no. 8 x 3/4" screws, 4 no. 10-32 nuts, 2 wall anchors, 2 washers 3/16" ID x 3/4" OD

Parts sold separately:

- Interior blower model iQ6, P3 or P6 (includes rough-in kit and 8" round adapter and damper), for either ducted or non-ducted installation.
- Interior blower model iQ12 or P12 (includes rough-in kit and 10" round vertical in-line damper, model 421), for ducted installation only.
- In-line blower assembly model ILB3, ILB6, ILB9 or ILB11 (all include transition(s) and rough-in plate), for ducted installation only.
- Exterior blower assembly model EB6, EB9, EB12 or EB15 (all include rough-in plate), for ducted installation only.
- Duct, elbows, dampers, wall and roof caps. Refer to pages 3 and 4 for a complete list of venting options and model numbers.
- Non-duct kit ANKWP Series, mandatory for non-ducted installation.
- Optional decorative flue AEWB Series, for ducted installation only.

## 4. REMOVE THE FILTERS AND THE GREASE DRIP RAIL(S)

### A. Remove tape on filters.

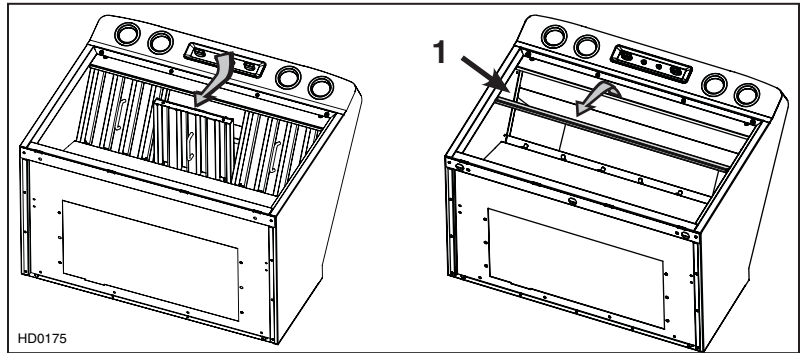
Remove filters from hood and set aside.

NOTE: It is recommended to start with the center one.

### B. Remove tape on grease drip rail (1).

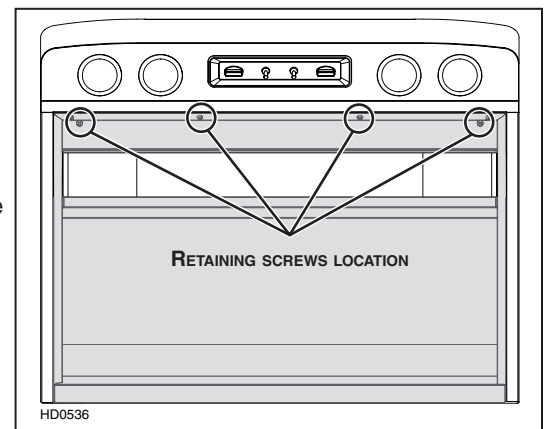
Lift out grease drip rail and set aside.

NOTE: The 60-inch width hood has 2 grease drip rails.



## 5. REMOVE THE PAN

Using a Phillips no. 2 or Robertson no. 2 screwdriver, remove the screws retaining the pan (shaded part on illustration at right) to the hood. Remove the pan and set aside.



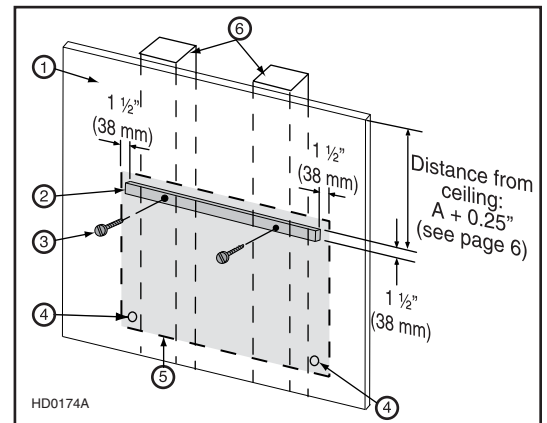
## 6. INSTALL WOOD MOUNTING STRIP

Measure and mark a level line on wall above cooktop location for the wood mounting strip (see illustration at right and under step 2). Remove wood mounting strip from back of hood.

Use no. 10 - 2" flat head screws to secure the mounting strip to the drywall. Make sure to hit the wall studs.

### CAUTION

**Due to the weight of this hood, ensure that the wood strip is attached to all of the available studs (2 studs minimum for a 30" width hood, more as hood width increases); not into the drywall alone.**



1. Drywall  
2. Wood mounting strip  
3. Flat head screw

4. Wall anchor location  
5. Back of hood outline  
6. Wall studs

## 7. INSTALL THE FLUE

### 7.1 DUCTED INSTALLATION: OPTIONAL DECORATIVE FLUE AEWV SERIES

For a ducted installation, refer to the instructions sheet included with the optional decorative flue.

### 7.2 NON-DUCTED INSTALLATION: NON-DUCT KIT FLUE ANKWP SERIES

Refer to the installation sheet included with the non-duct kit for details.

## 8. INSTALL THE HOOD

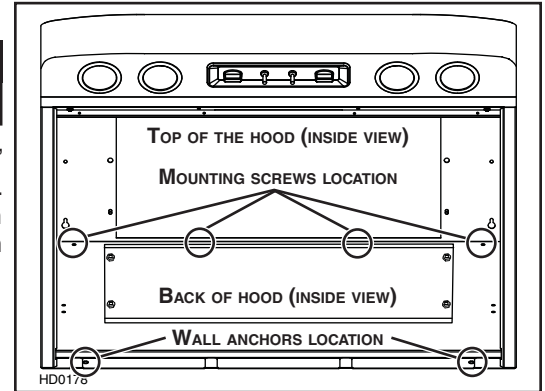
Rest the top back cavity of the hood on the wood mounting strip.

### CAUTION

**Hold the hood until it is completely secured to the wood mounting strip.**

Secure the hood to wood mounting strip with (4) screws no. 8 x 3/4" (for 30" and 36" width hoods) or (6) screws (for 42" width and wider hoods) provided at locations shown. Drill (2) 3/16" size holes into the drywall for wall anchors through the existing holes in the inside hood back, in the locations shown. Then, install the two wall anchors with the remaining no. 8 x 3/4" screws and the (2) washers provided.

For a non-ducted installation, go to step 11, *Install the Rough-in Plate*.



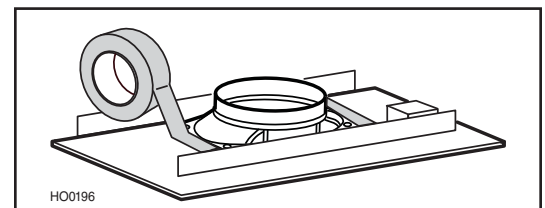
## 9. SELECT BLOWER OPTION (EXTERIOR OR INTERIOR, DUCTED INSTALLATION)

INTERIOR BLOWER: Follow all subsequent steps of this manual.

EXTERIOR BLOWER: Refer to instructions packed with exterior blower and follow steps 11 to 13, then 15 and up of the present manual.

## 10. ATTACH 8" ROUND ADAPTER AND DAMPER TO ROUGH-IN PLATE (iQ6, P3 OR P6 INTERIOR BLOWER, DUCTED INSTALLATION ONLY)

Attach 8" round adapter and damper to iQ6, P3 or P6 blower rough-in plate. Use metal duct tape to make all joints secure and air-tight.





## 11. INSTALL THE ROUGH-IN PLATE TO THE HOOD (ALL INSTALLATIONS)

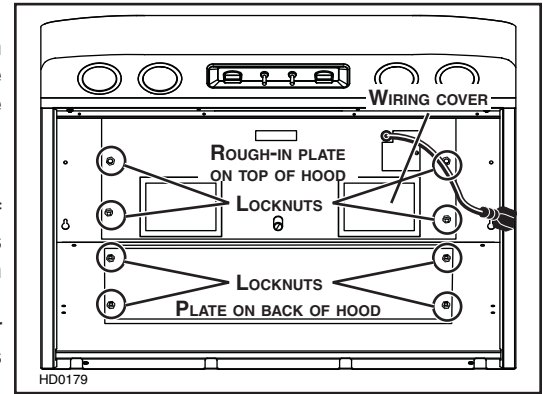
### 11.1 ALL INSTALLATIONS:

Run power cable to installation location. Refer to the instructions included with the selected blower/rough-in kit (sold separately) for details on installing the rough-in plate. Install the rough-in plate so that the wiring box is located on the right side as you are facing the hood.

### 11.2 DUCTED INSTALLATIONS ONLY:

For ducting through back of hood, remove existing plate from inside back of hood and attach it to inside top of hood to cover hole. Secure to threaded studs with same (4) nuts. For ducting through top of hood, existing plate remains in place on inside back of hood.

Connect ducting to adapter and damper or rough-in plate (according to blower model) as you are installing the rough-in plate. Use duct tape to make all joints secure and air-tight.



## 12. CONNECT THE WIRING (ALL INSTALLATIONS)

### ⚠ WARNING

**Risk of electric shock. Electrical wiring must be done by qualified personnel in accordance with all applicable codes and standards. Before connecting wires, switch power off at service panel and lock service disconnecting means to prevent power to be switched on accidentally.**

Remove wiring cover from rough-in plate and set aside.

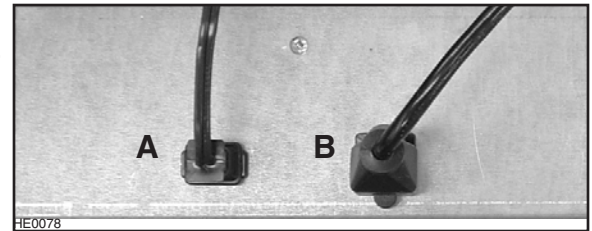
Connect BLACK to BLACK, WHITE to WHITE and GREEN or bare wire under GREEN ground screw.

Reinstall wiring cover.

## 13. INSTALL THE BLOWER (INTERIOR OR EXTERIOR BLOWER)

Refer to instructions included with blower.

Once the blower is installed, plug the blower cord (A) into the female receptacle and the power supply cord (B) onto the male connector inside the hood.



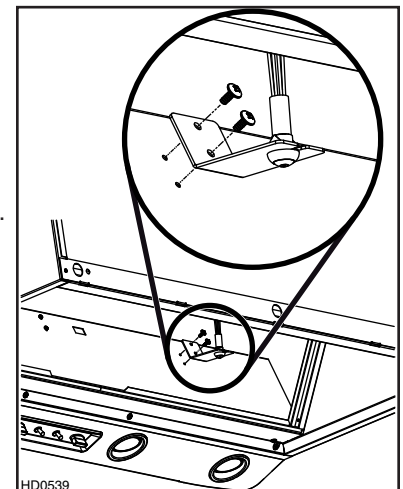
### ⚠ WARNING

**Do not plug the two cords into each other.**

## 14. INSTALL THE CALIBRATION BUTTON BRACKET IN THE HOOD (iQ6 AND iQ12 INTERIOR BLOWERS ONLY)

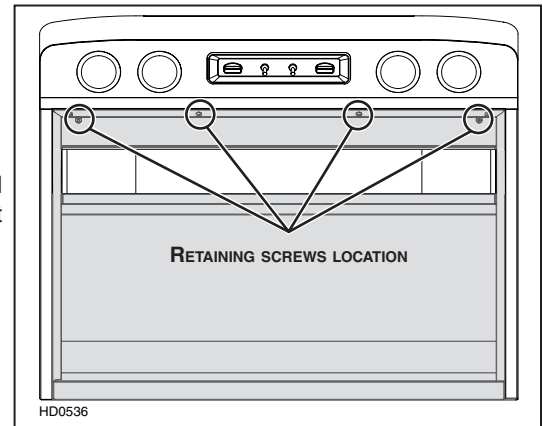
Both iQ6 and iQ12 blowers are equipped with a calibration button already mounted to its own bracket. Install this bracket in the hood, using 2 screws provided with iQ6 or iQ12 interior blower.

See additional details in the iQ6 and iQ12 blower instructions included with the blowers.



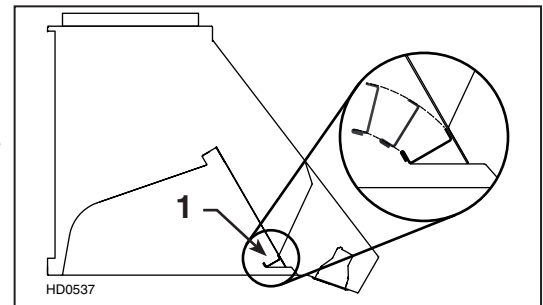
## 15. REINSTALL THE PAN

Using a Phillips no. 2 or Robertson no. 2 screwdriver and the retaining screws, reinstall the pan (previously removed in step 5) inside the hood (shaded part on illustration at right).



## 16. REINSTALL GREASE DRIP RAIL(S) AND BAFFLE FILTERS

Reinstall grease drip rail(s) (1). The illustration at right shows how to reinsert the grease drip rail(s) into the range hood.



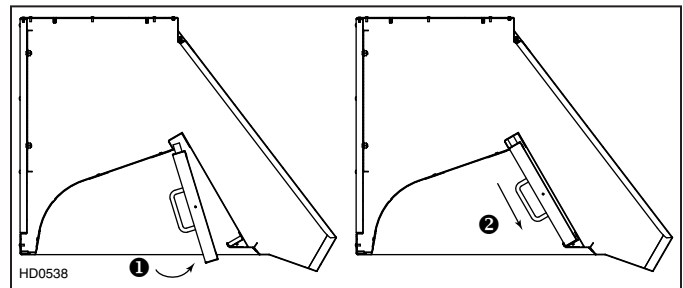
### CAUTION

**Remove protective plastic film covering hybrid baffle filters before reinstalling them.**

It is recommended to install side filters first and finish with center one(s).

- 1 Insert the end with filter spring clip of hybrid baffle filter into the upper channel of the hood.
- 2 Raise the other end toward the inside of hood and insert in the grease drip rail of the hood.

Replacement filters are available from your dealer. See label inside hood for size and part number.



## 17. LIGHT BULBS REPLACEMENT

This hood requires 120 V, 50 W, MR16 with GU10 base or PAR16 with GU10 base, shielded halogen lamps (included).

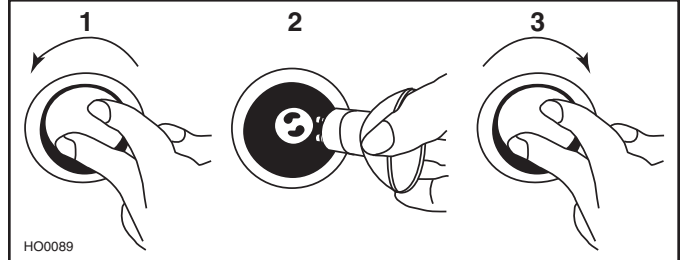
### ⚠ WARNING

**Do not touch lamps during or soon after operation. Burns may occur. In order to prevent the risk of personal injury, only install shielded halogen lamps. Also, never install a cool beam, a dichroic lamp, a lamp not suitable for use in recessed luminaires or identified for use in enclosed fixtures.**

1. To remove lamps, gently push upwards and turn counterclockwise to disengage bulb leads from their grooves.

NOTE: To ease removal of the bulbs, use a rubber dishwashing glove or use suction cup tool available from Best. Contact Best Customer Service at 1-800-558-1711 to order suction cup tool, part no. 99526707.

2. Install the new lamps by placing the bulb leads into their grooves in the socket.
3. Gently push upwards and turn clockwise until secure.



## 18. USE AND CARE

### Hybrid Baffle Filters

The hybrid baffle filters should be cleaned frequently. Use a warm detergent solution. Wash more often if your cooking style generates greater grease—like frying foods or wok cooking.

Remove hybrid baffle filters by pushing them towards the back of hood and rotating filters downward. Baffle filters are dishwasher safe. Allow filters to dry completely before reinstalling them in the hood.

Clean all-metal filters in the dishwasher using a non-phosphate detergent. Discoloration of the filter may occur if using phosphate detergent or as a result of local water conditions — but this will not affect filter performance. This discoloration is not covered by the warranty.

### CAUTION

**Never attempt to wash the carbon filters in the non-duct kit. Those filters must be replaced by new ones. Refer to the non-duct kit installation instructions for details.**

### Grease Drip Rail

The grease drip rail should be cleaned frequently. Lift it out from the hood and use a warm detergent solution. As for the baffle filters, wash more often if your cooking style generates greater grease—like frying foods or wok cooking. Allow grease drip rail to dry completely before reinstalling it in the hood.

### Blower Cleaning

Remove the filters in order to access the blower. Vacuum blower to clean. Do not immerse in water. Refer to blower instruction manual for more details.

### Hood cleaning

Stainless steel cleaning:

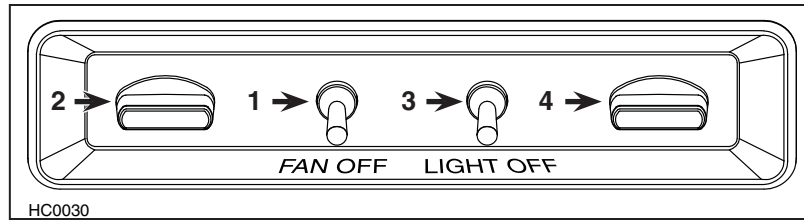
Do:	Don't:
<ul style="list-style-type: none"><li>• Regularly wash with clean cloth or rag soaked with warm water and mild soap or liquid dish detergent.</li><li>• Always clean in the direction of original polish lines.</li><li>• Always rinse well with clear water (2 or 3 times) after cleaning. Wipe dry completely.</li><li>• You may also use a specialized household stainless steel cleaner.</li></ul>	<ul style="list-style-type: none"><li>• Use any steel or stainless steel wool or any other scrapers to remove stubborn dirt.</li><li>• Use any harsh or abrasive cleansers.</li><li>• Allow dirt to accumulate.</li><li>• Let plaster dust or any other construction residues reach the power pack. During construction/renovation, cover the power pack to make sure no dust sticks to stainless steel surface.</li></ul>

### Avoid when choosing a detergent:

- Any cleaners that contain **bleach** will attack stainless steel.
- Any products containing: **chloride, fluoride, iodide, bromide** will deteriorate surfaces rapidly.
- Any combustible products used for cleaning such as **acetone, alcohol, ether, benzol**, etc., are highly explosive and should never be used close to a range.

## 19. OPERATION

Always turn ON your hood before you begin cooking in order to establish an air flow in the kitchen. Let the blower run for a few minutes to clear the air after you turn off the range. This will help keep the whole kitchen cleaner and brighter.



1. ON/OFF Blower switch  
2. Blower speed control

3. ON/OFF Halogen light switch  
4. Light intensity control

### **Blower**

The blower is operated using two (2) controls.

Use the ON/OFF switch (item 1 on picture above) to start and stop the blower. When turned on, the blower will operate at the previous setting of the speed control (item 2 on picture above).

Turn the speed control knob counterclockwise to increase blower speed—clockwise to decrease speed.

### **HEAT SENTRY™**

This hood is equipped with a Heat Sentry™ thermostat. This thermostat is a device that will speed up the blower if it senses excessive heat above the cooking surface.

If blower is ON at a lower speed setting—it turns the blower up to HIGH speed.

### **⚠ WARNING**

**The Heat Sentry can start the blower during a range top fire or other excessive heat situations even if the hood is turned off. If this situation occurs, it is impossible to turn the blower OFF with blower switch. If you must stop the blower, unplug the blower power cord (located behind the filters) from the hood by pulling on its 2-prong connector; do not pull on the wire.**

When the temperature level drops to normal, the blower will return to its original setting.

### **Cooktop Lighting (Halogen)**

The halogen lighting is controlled by two switches; one ON/OFF switch (item 3 on picture above) and one light intensity control switch.

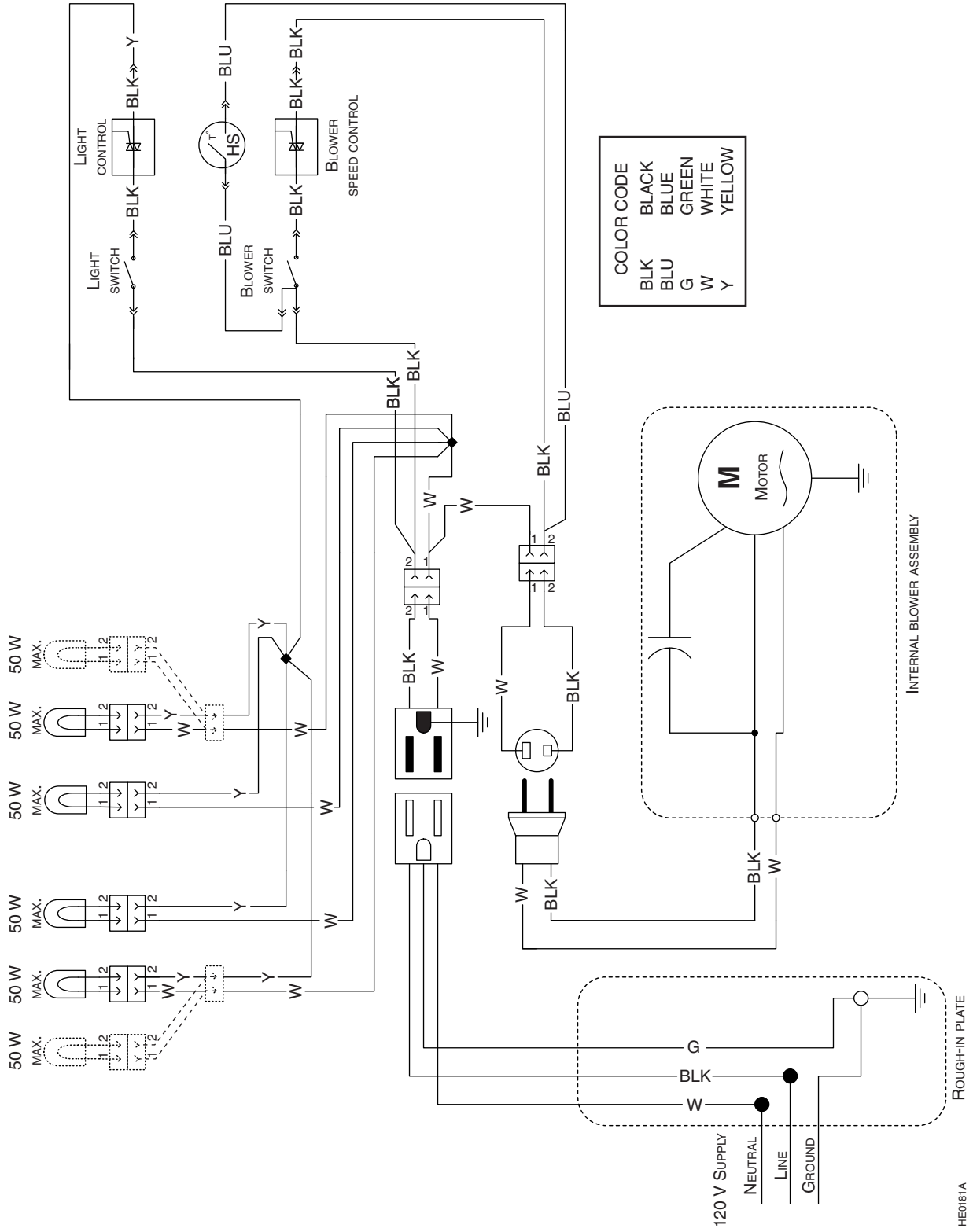
When turned on, the halogen bulbs will light cooktop at the previous setting of the light intensity control (item 4 on picture above).

Turn the light intensity control knob counterclockwise to increase lighting—clockwise to decrease lighting.

Use 120 V, 50 W, MR16 or PAR16 with GU10 base, shielded halogen lamps (included).

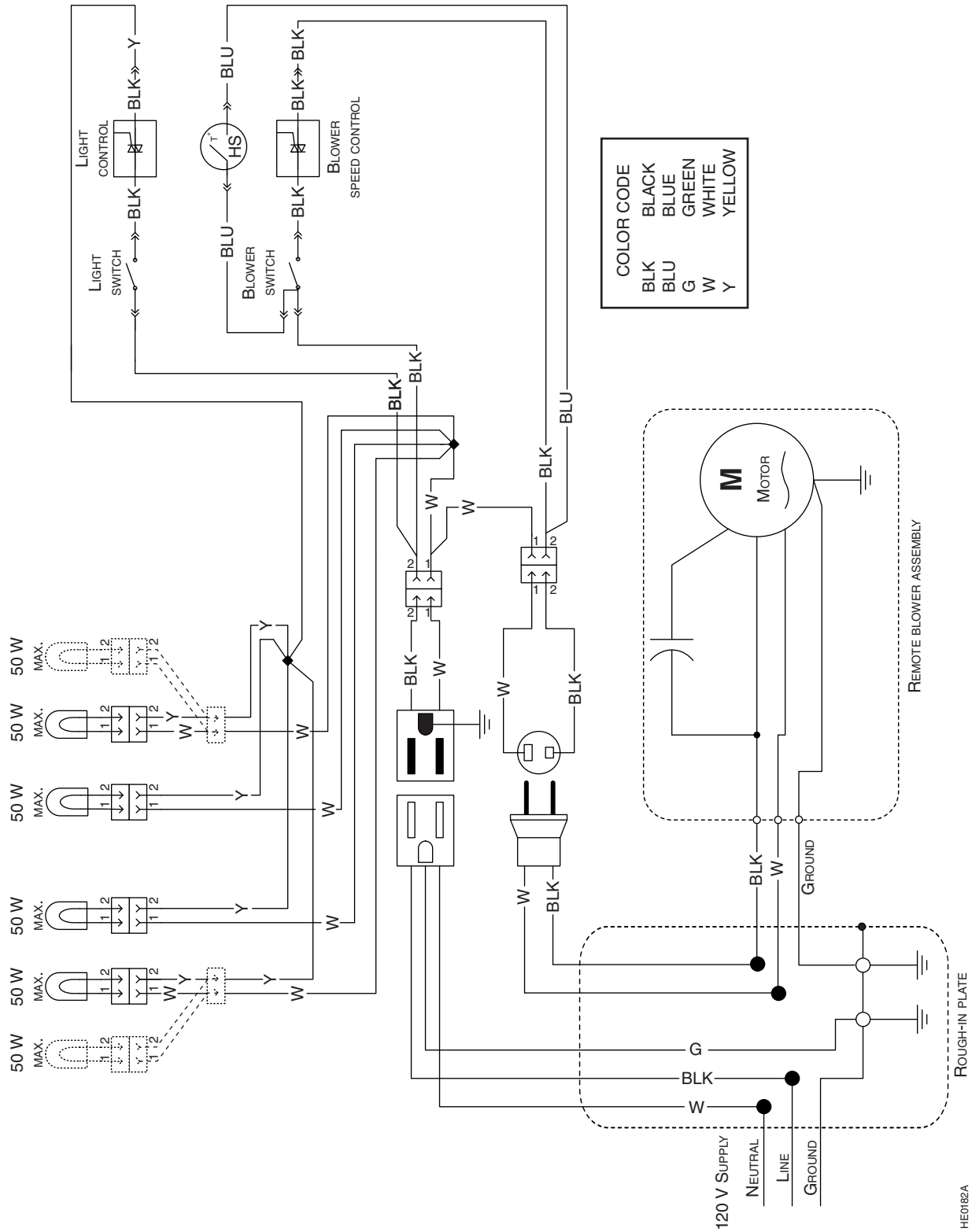
# 20. WIRING DIAGRAMS

## INTERIOR BLOWER



# 21. WIRING DIAGRAMS (CONT'D)

## IN-LINE OR EXTERIOR BLOWER



HE0182A

## 22. WARRANTY

---

### ONE-YEAR LIMITED WARRANTY FOR BEST PRODUCTS

Broan-NuTone LLC (Broan-NuTone) warrants to the original consumer purchaser of Best products that such products will be free from defects in materials or workmanship for a period of one year from the date of original purchase. THERE ARE NO OTHER WARRANTIES, EXPRESS OR IMPLIED, INCLUDING, BUT NOT LIMITED TO, IMPLIED WARRANTIES OR MERCHANTABILITY OR FITNESS FOR A PARTICULAR PURPOSE.

During this one-year period, Broan-NuTone will, at its option, repair or replace, without charge, any product or part which is found to be defective under normal use and service.

THIS WARRANTY DOES NOT EXTEND TO FLUORESCENT LAMP STARTERS, TUBES, HALOGEN AND INCANDESCENT BULBS, FUSES, FILTERS, DUCTS, ROOF CAPS, WALL CAPS AND OTHER ACCESSORIES FOR DUCTING. This warranty does not cover (a) normal maintenance and service or (b) any products or parts which have been subject to misuse, negligence, accident, improper maintenance or repair (other than by Broan-NuTone), faulty installation or installation contrary to recommended installation instructions.

The duration of any implied warranty is limited to the one-year period as specified for the express warranty. Some states or provinces do not allow limitation on how long an implied warranty lasts, so the above limitation may not apply to you.

**BROAN-NUTONE'S OBLIGATION TO REPAIR OR REPLACE, AT BROAN-NUTONE'S OPTION, SHALL BE THE PURCHASER'S SOLE AND EXCLUSIVE REMEDY UNDER THIS WARRANTY. BROAN-NUTONE SHALL NOT BE LIABLE FOR INCIDENTAL, CONSEQUENTIAL OR SPECIAL DAMAGES ARISING OUT OF OR IN CONNECTION WITH PRODUCT USE OR PERFORMANCE. Some states or provinces do not allow the exclusion or limitation of incidental or consequential damages, so the above limitation or exclusion may not apply to you.**

This warranty gives you specific legal rights, and you may also have other rights, which vary from state to state or province to another. This warranty supersedes all prior warranties.

To qualify for warranty service, you must (a) notify Broan-NuTone at the address stated below or telephone number stated below, (b) give the model number and part identification and (c) describe the nature of any defect in the product or part. At the time of requesting warranty service, you must present evidence of the original purchase date.

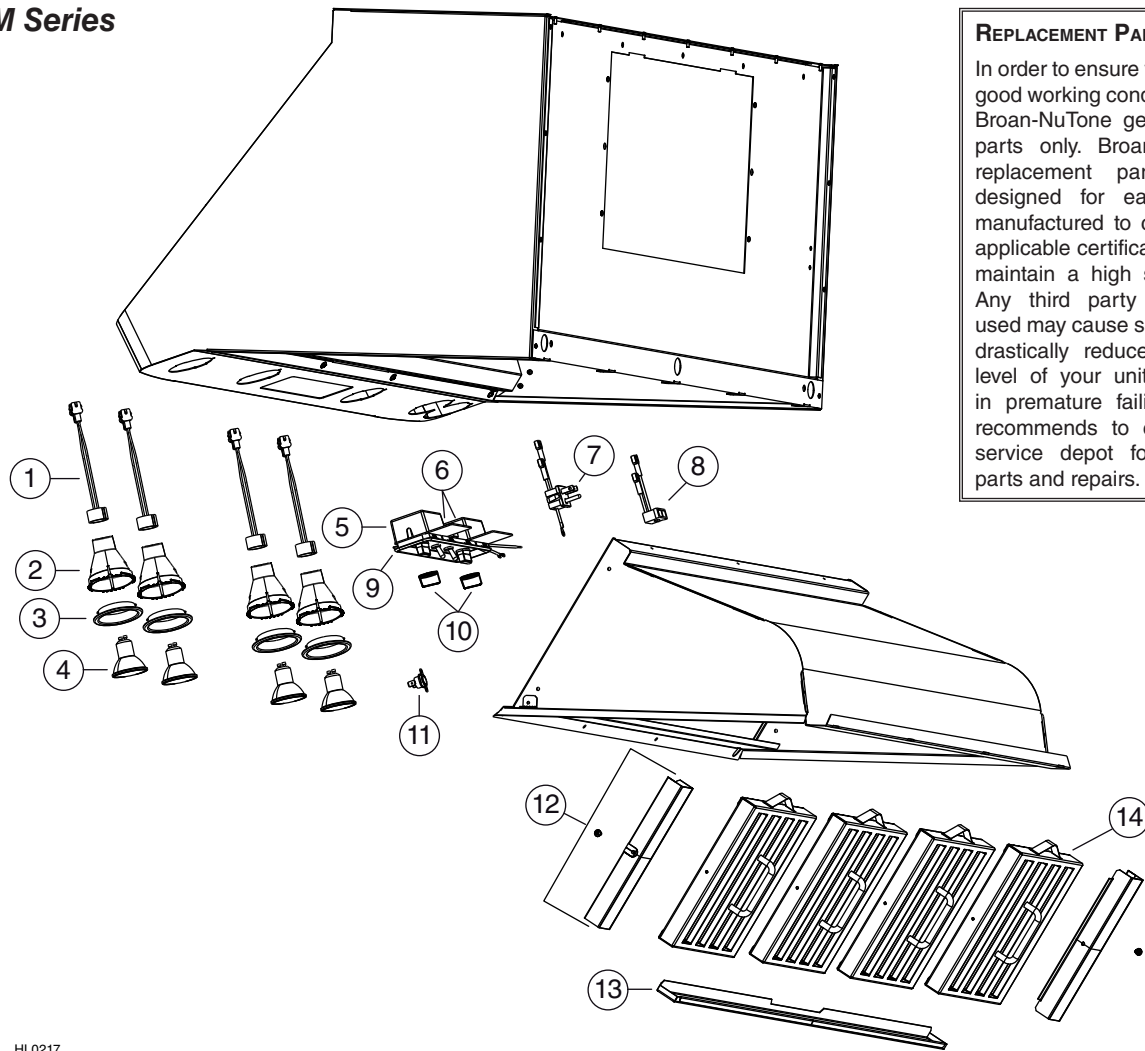
**In USA - Best®**, 926 W. State Street, Hartford, WI 53027 (800-558-1711)

**In Canada - Best®**, 550 Lemire Blvd., Drummondville, QC, Canada, J2C 7W9 (866-737-7770)

[www.BestRangeHoods.com](http://www.BestRangeHoods.com)

## 23. SERVICE PARTS

### WP29M Series



#### REPLACEMENT PARTS AND REPAIRS

In order to ensure your unit remains in good working condition, you must use Broan-NuTone genuine replacement parts only. Broan-NuTone genuine replacement parts are specially designed for each unit and are manufactured to comply with all the applicable certification standards and maintain a high standard of safety. Any third party replacement part used may cause serious damage and drastically reduce the performance level of your unit, which will result in premature failing. Broan-NuTone recommends to contact a certified service depot for all replacement parts and repairs.

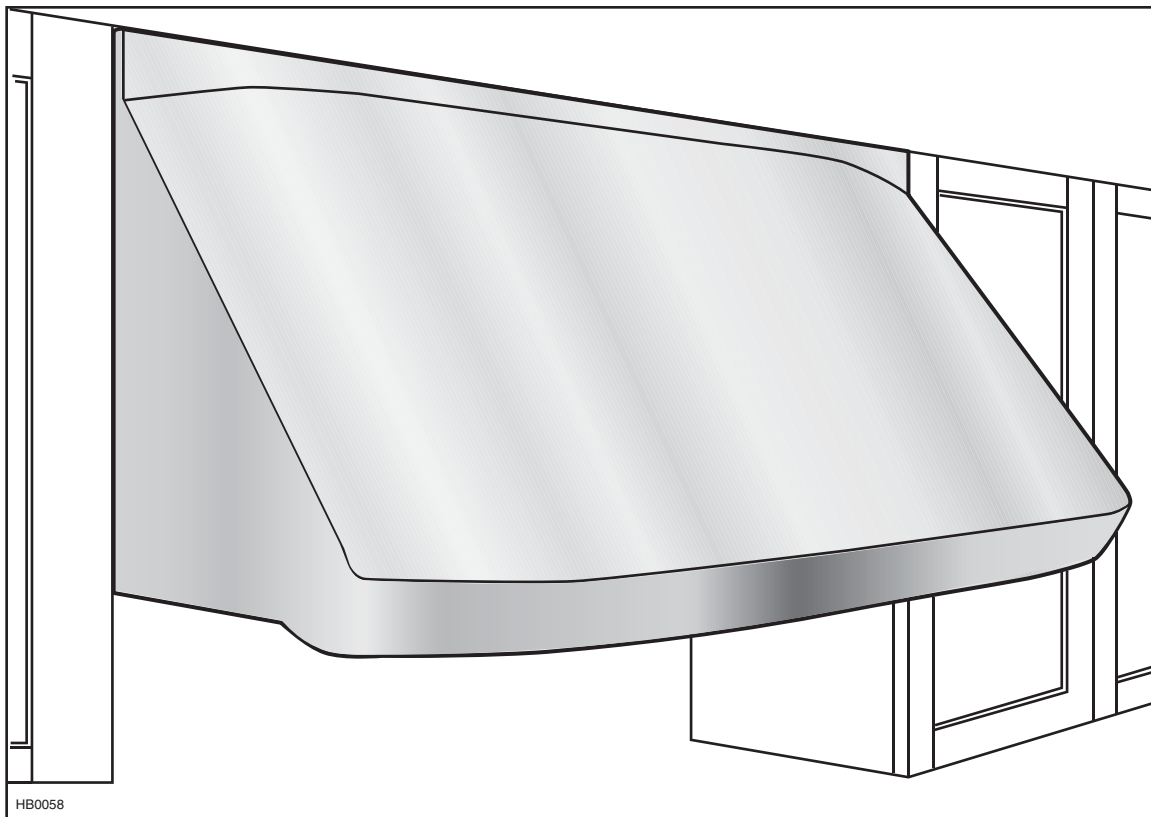
HL0217

Key No.	Part No.	DESCRIPTION	QUANTITY (HOOD WIDTH)					
			30"	36"	42"	48"	54"	60"
1	SV05917	SOCKET GU10	4	4	4	6	6	6
2	SV09435	SOCKET HOLDER GU10	4	4	4	6	6	6
3	SV09434	LIGHT TRIM STAINLESS STEEL	4	4	4	6	6	6
4	SV05921	SHIELDED HALOGEN BULBS (50 W, 120 V, PAR16, GU-10)	4	4	4	6	6	6
5	SV03501	ROTARY CONTROL	2	2	2	2	2	2
6	SV07689	TOGGLE SWITCH	2	2	2	2	2	2
7	SV13924	MALE CONNECTOR	1	1	1	1	1	1
8	SV13923	FEMALE CONNECTOR	1	1	1	1	1	1
9	SV16966	PLASTIC CONTROL FRAME AND KNOB ASS'Y	1	1	1	1	1	1
10	SV07688	KNOB	2	2	2	2	2	2
11	SV03435	HEAT SENTRY™	1	1	1	1	1	1
12	SV61691	FILTER FILLERS WITH SCREW (PAIR)	-	-	1	-	-	-
13	SV61932	GREASE DRIP RAIL 30"	1	-	-	-	-	2
	SV61933	GREASE DRIP RAIL 36"	-	1	-	-	-	-
	SV61934	GREASE DRIP RAIL 42"	-	-	1	-	-	-
	SV61935	GREASE DRIP RAIL 48"	-	-	-	1	1	-
14	SV61639	HYBRID BAFFLE FILTER 8.84" x 8.61" x 1"	3	1	4	5	5	6
	SV61640	HYBRID BAFFLE FILTER 11.84" x 8.61" x 1"	-	2	-	-	-	-
*	SV07693	INSTALLATION GUIDE	1	1	1	1	1	1
*	SV12971	PARTS BAG: 4 NO. 10 x 2" FLAT HEAD SCREW, 8 NO. 8 x 3/4" SCREWS, 4 NO. 10-32 NUTS, 2 WALL ANCHORS, WASHERS 3/16" ID x 3/4" OD	1	1	1	1	1	1
*	SV05869	BEST LOGO	1	1	1	1	1	1

\* NOT SHOWN.



# best®



## SÉRIE WP29M

⚠️ CONÇUE UNIQUEMENT POUR LA CUISSON DOMESTIQUE ⚠️

**LIRE ET CONSERVER CES DIRECTIVES**

INSTALLATEUR : LAISSER CE GUIDE AU PROPRIÉTAIRE.  
PROPRIÉTAIRE : DIRECTIVES D'UTILISATION ET D'ENTRETIEN  
EN PAGES 27 ET 28.

BEST; Hartford, Wisconsin [www.BestRangeHoods.com](http://www.BestRangeHoods.com) 800-558-1711  
BEST; Drummondville, QC, Canada [www.BestRangeHoods.com](http://www.BestRangeHoods.com) 866-737-7770

Pour enregistrer votre produit en ligne ou pour obtenir plus d'information, consultez notre site [www.BestRangeHoods.com](http://www.BestRangeHoods.com)

## **⚠ AVERTISSEMENT**

### **AFIN DE RÉDUIRE LES RISQUES D'INCENDIE, D'ÉLECTROCUTION OU DE BLESSURES CORPORELLES, SUIVEZ LES DIRECTIVES SUIVANTES :**

1. N'utilisez cet appareil que de la façon prévue par le fabricant. Si vous avez des questions, contactez le fabricant à l'adresse ou au numéro de téléphone indiqués dans la garantie.
2. Avant de réparer ou de nettoyer l'appareil, couper l'alimentation électrique en verrouillant le panneau de distribution afin d'éviter sa remise en marche accidentelle. Si le panneau de distribution ne peut être verrouillé, y fixer un avertissement en évidence, telle qu'une étiquette de couleur vive.
3. Les travaux d'installation et de raccordement électrique doivent être effectués par une personne qualifiée, conformément aux codes et aux standards de construction, incluant ceux concernant la protection contre les incendies.
4. Une quantité d'air adéquate est requise afin d'assurer une bonne combustion et l'évacuation des gaz par la cheminée dans le cas des équipements alimentés au gaz afin de prévenir les retours de cheminée. Conformez-vous aux instructions et aux standards de sécurité des fabricants d'équipement de chauffage, tel qu'ils sont publiés par la National Fire Protection Association (NFPA) et l'American Society for Heating, Refrigeration and Air Conditioning Engineers (ASHRAE) ainsi que les responsables des codes locaux.
5. Veillez à ne pas endommager le câblage électrique ou d'autres équipements non apparents lors de la découpe ou du perçage du mur ou du plafond.
6. Les ventilateurs avec conduits doivent toujours évacuer l'air à l'extérieur.
7. Ne pas utiliser cet appareil avec une commande de vitesse à semi-conducteur additionnelle.
8. Afin de réduire les risques d'incendie, n'utilisez que des conduits de métal.
9. Cet appareil doit être mis à la terre.
10. Lorsqu'une réglementation est en vigueur et qu'elle comporte des exigences d'installation et/ou de certification plus restrictives, lesdites exigences prévalent sur celles de ce document et l'installateur entend s'y conformer à ses frais.

### **AFIN DE RÉDUIRE LES RISQUES DE FEU DE CUISINIÈRE :**

- a) Ne jamais laisser les appareils de cuisson sans surveillance lorsqu'ils sont réglés à feu vif. Les débordements engendrent de la fumée et des déversements gras pouvant s'enflammer. Chauffez l'huile lentement, à feu doux ou moyen.
- b) Mettez toujours la hotte en marche lorsque vous cuisinez à feu vif ou que vous cuisinez des mets flambés (par ex. : crêpes Suzette, cerises jubilé, steaks au poivre flambés).
- c) Nettoyez régulièrement la (les) roue(s) du ventilateur. Ne laissez pas la graisse s'accumuler sur le ventilateur, les filtres ou les conduits d'évacuation.
- d) Utilisez le bon format de casserole. Servez-vous toujours de casseroles et d'ustensiles appropriés à la dimension de la surface chauffante.

## **⚠ AVERTISSEMENT**

### **AFIN D'ÉVITER TOUT RISQUE DE BLESSURES LORS D'UN FEU DE CUISINIÈRE, SUIVEZ CES DIRECTIVES\* :**

1. Éteignez les flammes avec un couvercle hermétique, une tôle à biscuits ou un plateau métallique et ensuite, éteindre le brûleur. PRENEZ SOIN D'ÉVITER LES BRÛLURES. SI LES FLAMMES NE S'ÉTEIGNENT PAS IMMÉDIATEMENT, ÉVACUEZ LES LIEUX ET APPELEZ LES POMPIERS.
2. NE PRENEZ JAMAIS UNE CASSEROLE EN FLAMMES DANS VOS MAINS. Vous pourriez vous brûler.
3. N'UTILISEZ PAS D'EAU, incluant un linge à vaisselle ou une serviette mouillée, cela pourrait occasionner une violente explosion de vapeur.
4. N'utilisez un extincteur QUE DANS LE CAS OÙ :
  - A. Vous savez qu'il s'agit d'un extincteur de classe ABC et que vous en connaissez le fonctionnement.
  - B. L'incendie est petit et limité à l'endroit où il a débuté.
  - C. Les pompiers ont été avisés.
  - D. Vous pouvez combattre l'incendie en ayant accès à une sortie de secours.

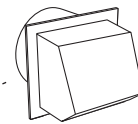
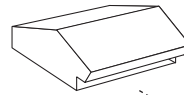
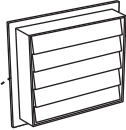
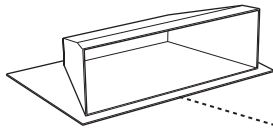
\*Tirées du *Kitchen Fire Safety Tips* publié par la NFPA.

## **ATTENTION**

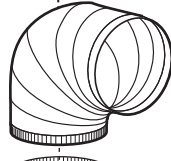
1. Pour une utilisation à l'intérieur seulement.
2. Pour usage domestique seulement. Ne pas utiliser pour évacuer des vapeurs ou des matières dangereuses ou explosives.
3. Afin d'éviter tout dommage au moteur et de débalancer ou de rendre bruyante la roue du moteur, garder votre appareil à l'abri des poussières de gypse et de construction/rénovation, etc.
4. Le moteur de votre hotte possède une protection thermique qui éteindra automatiquement le moteur s'il devient surchauffé. Le moteur redémarrera automatiquement une fois refroidi. Si le moteur continue à arrêter et à redémarrer, faites-le vérifier.
5. Pour une meilleure évacuation des odeurs de cuisson, le bas de votre hotte devrait être situé à un minimum de 24 po et à un maximum de 36 po au-dessus de la surface de cuisson.
6. Deux installateurs sont recommandés lors de l'installation vu la grande dimension et le poids de cette hotte.
7. Afin de réduire les risques d'incendie, assurez-vous d'évacuer l'air à l'extérieur. Ne pas évacuer l'air dans des espaces restreints comme l'intérieur des murs ou plafond ou dans le grenier, faux plafond ou garage.
8. Cet appareil est équipé d'un thermostat pouvant faire démarrer le ventilateur automatiquement. Afin de réduire le risque de blessure, couper le courant à partir du panneau électrique et le verrouiller ou apposer un avertissement sur le panneau afin de prévenir que la hotte ne soit mise en marche accidentellement.
9. En raison de la grande capacité d'évacuation de cette hotte, il est recommandé d'utiliser un dispositif d'apport d'air approprié ou d'ouvrir une fenêtre dans ou près de la cuisine afin de remplacer l'air évacué.
10. Afin de réduire les risques d'incendie et d'électrocution, la hotte Best de série WP29M doit être installée uniquement avec un des ventilateurs intérieurs Best suivants : iQ6, P3, P6, iQ12 ou P12, ou un des ventilateurs extérieurs Best suivants : EB6, EB9, EB12 ou EB15, ou un des ventilateurs en ligne Best suivants : ILB3, ILB6, ILB9 ou ILB11 (vendus séparément). Aucun autre ventilateur ne doit être utilisé.
11. Veuillez consulter l'autocollant apposé à l'intérieur de la hotte pour plus d'information ou autres exigences.

# - SYSTÈME DE HOTTE DE CUISINIÈRE SÉRIE WP29M - VENTILATEURS INTÉRIEURS

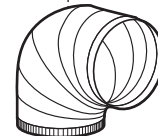
MODÈLE 437 (CAPUCHON DE TOIT À HAUT RENDEMENT)      MODÈLE 441 (CAPUCHON MURAL 10 PO ROND)  
 MODÈLE 634 ou 644 (CAPUCHON DE TOIT)      MODÈLE 643 (CAPUCHON MURAL DE 8 PO ROND)



MODÈLE 418  
(COUDE AJUSTABLE  
DE 10 PO ROND,  
OPTIONNEL).



COUDE AJUSTABLE  
DE 8 PO ROND,  
OPTIONNEL



MODÈLE 410  
(CONDUIT DE 10 PO ROND,  
SECTIONS DE 2 PI)



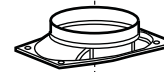
CONDUIT STANDARD  
DE 8 PO ROND



MODÈLE 421  
(VOLET VERTICAL EN LIGNE DE  
10 PO ROND INCLUS AVEC LE  
VENTILATEUR/PLAQUE  
VENTILATEUR IQ12 ET P12)

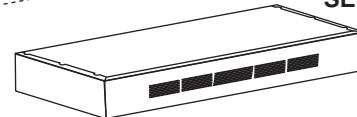
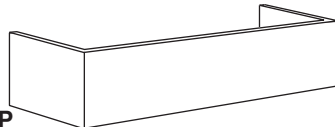


ADAPTATEUR/VOLET  
DE 8 PO ROND (INCLUS AVEC LE  
VENTILATEUR/PLAQUE VENTILATEUR  
IQ6, P3 ET P6)



**CHEMINÉE DU KIT  
DE RECIRCULATION  
SÉRIE ANKWP**

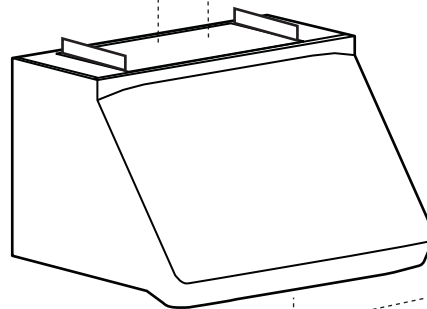
**CHEMINÉE DÉCORATIVE  
OPTIONNELLE SÉRIE AEW**



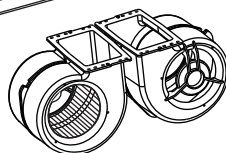
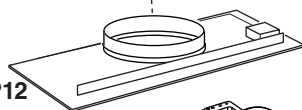
**NOTE:** Pour une installation sans conduit,  
nous recommandons que le kit  
de recirculation série ANKWP  
ne s'installe qu'avec l'ensemble  
ventilateur et plaque ventilateur  
de modèle iQ6, P3 ou P6 pour une  
meilleure efficacité.

**HOTTE SÉRIE WP29M**

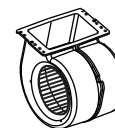
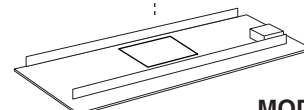
(AVEC COMMANDES VENTILATEUR  
ET ÉCLAIRAGE. REQUISES POUR  
TOUTES LES INSTALLATIONS)



**MODÈLE IQ12 OU P12  
VENTILATEUR/  
PLAQUE VENTILATEUR**  
(VENTILATEUR INTÉRIEUR DE  
1200 PI<sup>3</sup>/MIN ET PLAQUE VENTILATEUR)

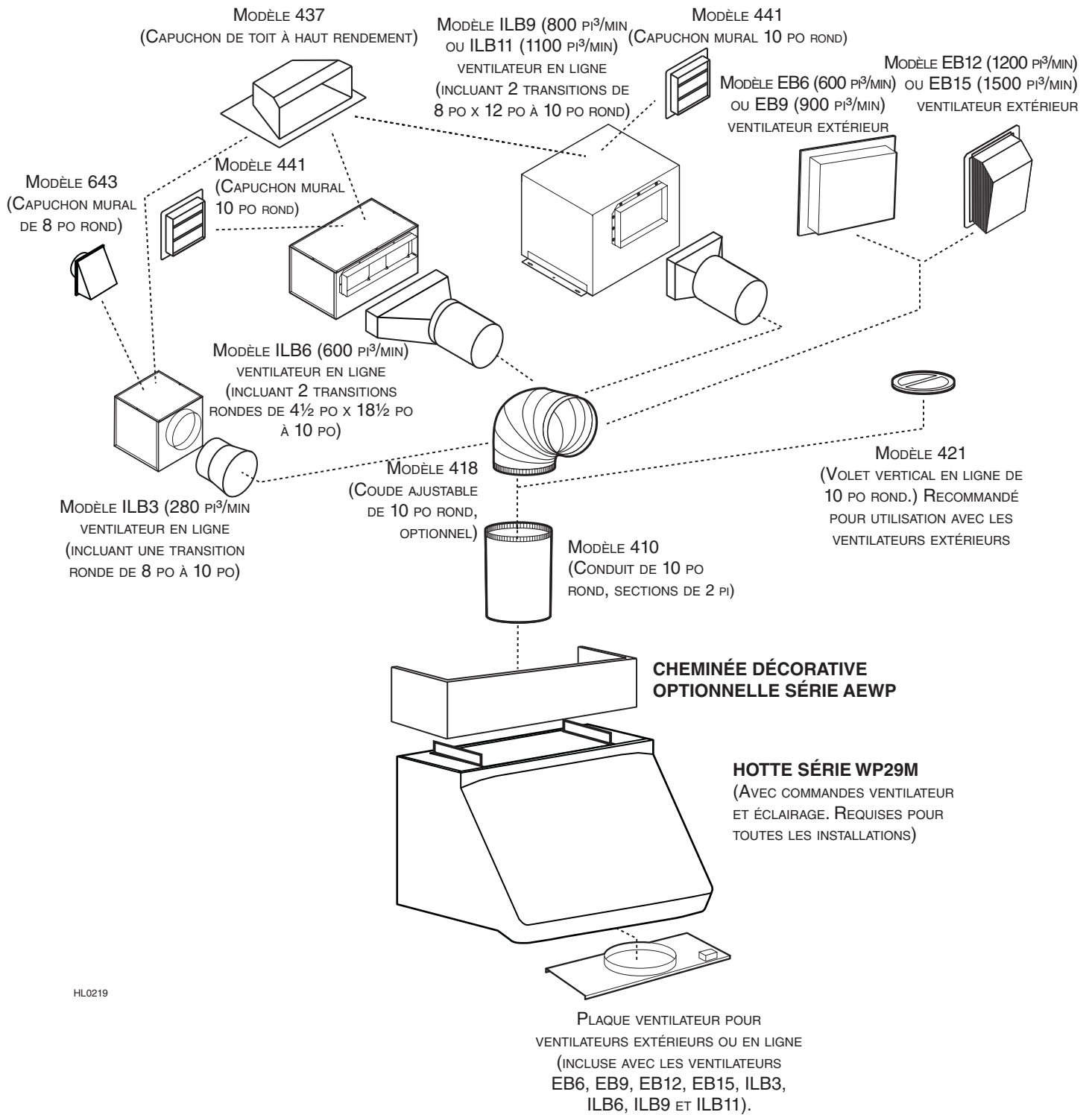


**MODÈLE IQ6, P3 OU P6  
VENTILATEUR/  
PLAQUE VENTILATEUR**  
(VENTILATEUR INTÉRIEUR DE  
600 PI<sup>3</sup>/MIN (SAUF 300 PI<sup>3</sup>/MIN  
POUR P3) ET PLAQUE VENTILATEUR)



HL0218

## - SYSTÈME DE HOTTE DE CUISINIÈRE SÉRIE WP29M - VENTILATEURS EN LIGNE ET EXTÉRIEURS



HL0219

# 1. SÉLECTIONNER L'OPTION VENTILATEUR ET LE TYPE D'INSTALLATION

## 1.1 INSTALLATION EN RECIRCULATION

Pour une installation sans conduit, nous recommandons que la hotte soit installée avec le ventilateur intérieur Best iQ6, P3 ou P6 (vendu séparément) afin de maintenir l'efficacité à son niveau optimal.

Le kit de recirculation de série ANKWP (vendu séparément) doit être installé. Ce kit convient aux hottes de largeurs allant de 30 po à 48 po inclusivement. Voir les directives d'installation fournies avec le kit de recirculation de série ANKWP.

## 1.2 INSTALLATION EN ÉVACUATION

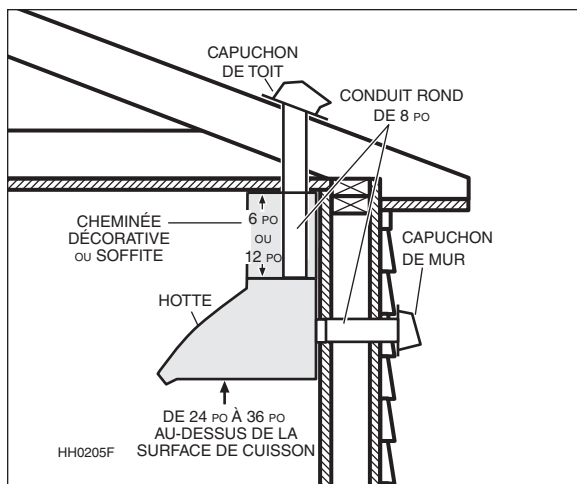
Pour une installation avec des conduits, cette hotte fonctionne autant avec un ventilateur intérieur, en ligne ou extérieur. La hotte de modèle Best de série WP29M doit être installée uniquement avec l'un des ventilateurs suivants : iQ, P3, P6, iQ12, P12, ILB3, ILB6, ILB9, ILB11, EB6, EB9, EB12 ou EB15 (vendus séparément). Aucun autre ventilateur ne peut être utilisé.

Déterminer à quel endroit et de quelle façon les conduits seront installés.

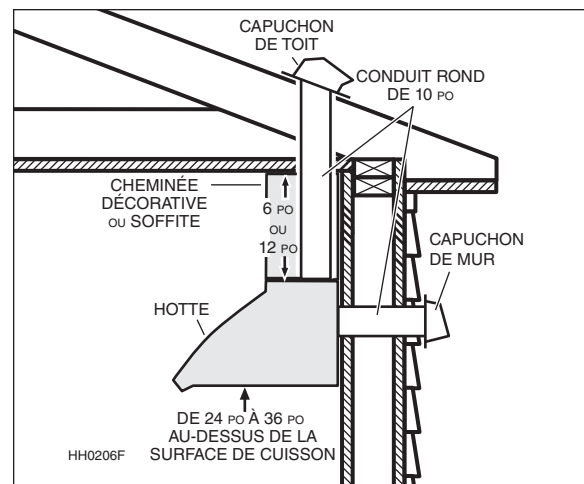
**Si un ventilateur en ligne est installé, se reporter aux directives fournies avec celui-ci et suivre les étapes 1 à 8, 11, 12, 15 et suivantes de ce guide.**

Installer des conduits de bonnes dimensions, coude(s) et capuchon de mur ou de toit selon le type de ventilateur. Se servir de ruban adhésif pour conduits en métal pour assurer l'étanchéité des joints.

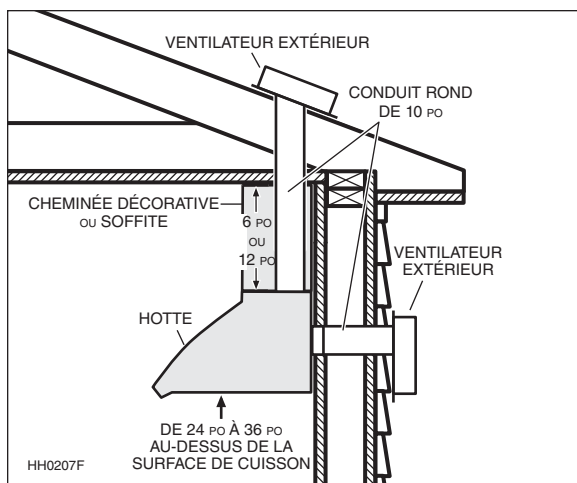
**NOTE :** Pour des conduits de 8 po, il est recommandé d'avoir un minimum de 6 po de long de conduit droit entre la hotte et un coude, et pour des conduits de 10 po, cette longueur est de 12 po minimum.



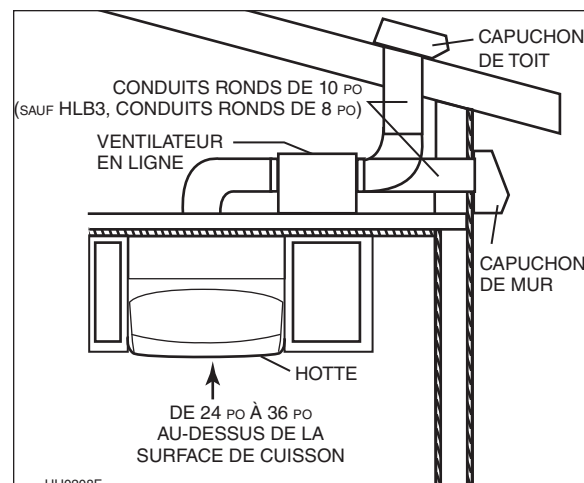
**INSTALLATION TYPE  
VENTILATEUR INTÉRIEUR SIMPLE  
MODÈLE iQ6, P3 OU P6**



**INSTALLATION TYPE  
VENTILATEUR INTÉRIEUR DOUBLE  
MODÈLE iQ12 OU P12**



**INSTALLATION TYPE  
VENTILATEUR EXTÉRIEUR  
MODÈLE EB6, EB9, EB12 OU EB15**



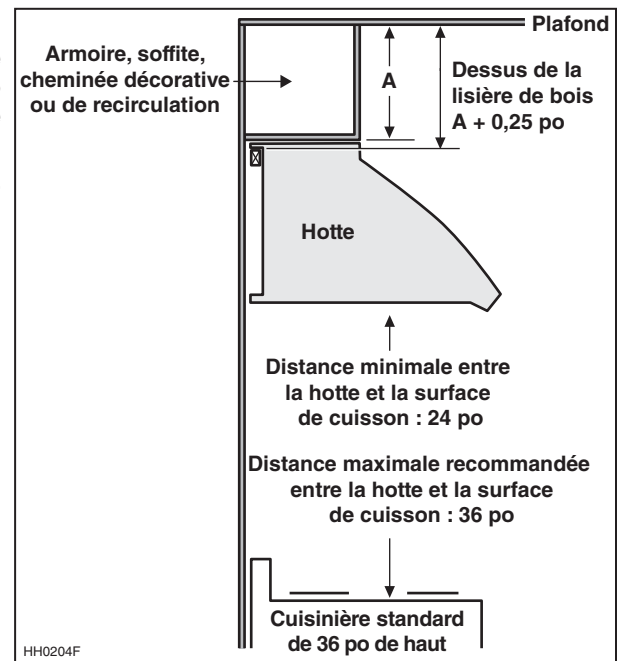
**INSTALLATION TYPE  
VENTILATEUR EN LIGNE  
MODÈLE ILB3, ILB6, ILB9 OU ILB11**

## 2. MESURER L'INSTALLATION

Les dimensions des installations les plus courantes sont indiquées ci-contre.

**La distance minimale entre le bas de votre hotte et la surface de cuisson ne doit pas être inférieure à 24 po. Un maximum de 36 po au-dessus de la surface de cuisson est fortement recommandé pour une meilleure évacuation des odeurs de cuisson.**

Une distance de plus de 36 po demeure à la discrétion de l'installateur et de l'utilisateur.



**DISTANCES MINIMALE ET MAXIMALE AU-DESSUS DE LA SURFACE DE CUISSON**

## 3. PRÉPARER L'INSTALLATION

### **⚠ AVERTISSEMENT**

**Il est recommandé de porter des lunettes et des gants de sécurité lors de l'installation, de l'entretien et de la réparation de cet appareil.**

NOTE : Avant de commencer l'installation, vérifier le contenu de la boîte. Si des pièces sont manquantes ou endommagées, contacter le fabricant.

Retirer la trousse d'installation de l'intérieur de la hotte.

S'assurer que les articles suivants soient inclus :

- Lisière de bois (vissée au dos de la hotte)
- Manuel d'installation
- Les accessoires incluant :
  - Les filtres à chicane hybrides (3 pour les hottes de 30 po et de 36 po de largeur, 4 pour celles de 42 po de largeur, 5 pour les hottes de 48 po et de 54 po de largeur et 6 pour les hottes de 60 po de largeur)
  - Ampoules halogènes avec écran (120 V, 50 W, avec culot GU10) (4 pour les hottes allant jusqu'à 42 po de largeur, 6 pour les hottes allant de 48 po à 60 po de largeur)
  - Le sachet de pièces incluant :
    - 4 vis à tête fraisée n° 10-2 po, 8 vis n° 8 x 3/4 po, 4 écrous n° 10-32, 2 douilles à expansion, 2 rondelles 3/16 po DI x 3/4 po DE

Pièces vendues séparément :

- Ventilateur intérieur modèle iQ6, P3 ou P6 (incluant la plaque ventilateur et l'adaptateur/volet de 8 po rond), pour les installations en évacuation ou en recirculation.
- Ventilateur intérieur modèle iQ12 ou P12 (incluant la plaque ventilateur et le volet intérieur de 10 po rond vertical, modèle 421), seulement pour les installations en évacuation.
- Ensemble de ventilateur en ligne modèle ILB3, ILB6, ILB9 ou ILB11 (tous incluant la (les) transition(s) et la plaque ventilateur), seulement pour les installations en évacuation.
- Ensemble de ventilateur extérieur, modèle EB6, EB9, EB12 ou EB15 (tous incluant la plaque ventilateur), seulement pour les installations en évacuation.
- Conduits, coudes, volets, capuchons de mur ou de toit. Consulter les pages 19 et 20 pour la liste complète des accessoires de ventilation et les numéros de modèle.
- Kit de recirculation série ANKWP, obligatoire pour les installations en recirculation.
- Cheminée décorative optionnelle série AEWP, seulement pour les installations en évacuation.

## 4. RETIRER LES FILTRES ET LA GOUTTIÈRE

### A. Enlever le ruban adhésif des filtres.

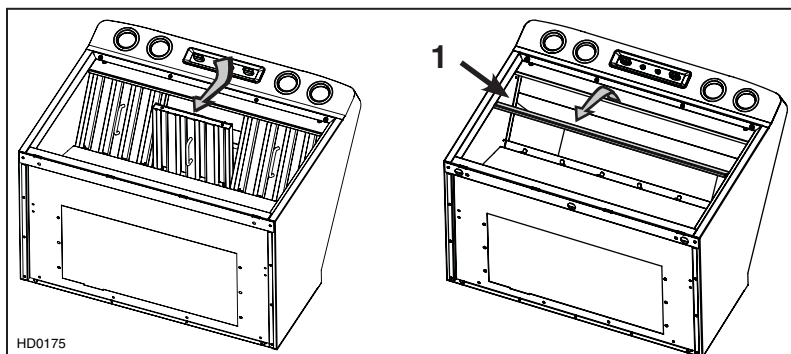
Retirer les filtres de la hotte et les mettre de côté.

NOTE: Il est recommandé de retirer le filtre central en premier.

### B. Enlever le ruban adhésif de la gouttière (1).

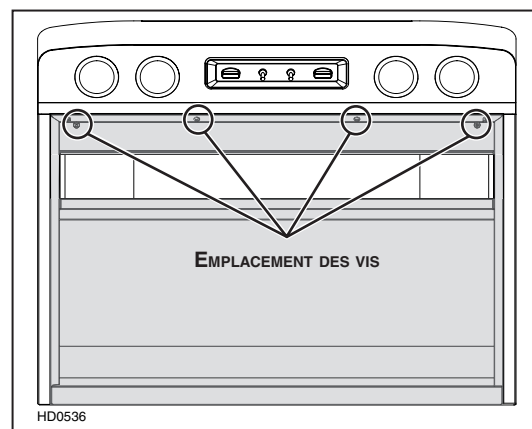
Dégager la gouttière de la hotte et la mettre de côté.

NOTE: La hotte de 60 po de largeur possède 2 gouttières.



## 5. RETIRER LE CADRE INTÉRIEUR

À l'aide d'un tournevis Phillips n° 2 ou Robertson n° 2, enlever les vis retenant le cadre intérieur (la pièce colorée en gris dans l'illustration ci-contre) à la hotte. Retirer le cadre intérieur et le mettre de côté.



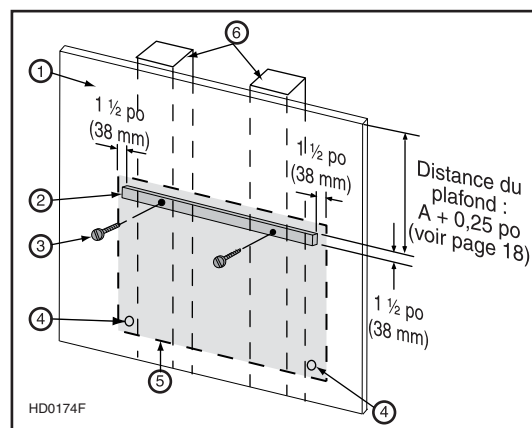
## 6. INSTALLER LA LISIÈRE DE BOIS

Mesurer et tracer une ligne droite, au-dessus de la surface de cuisson, pour la localisation de la lisière de bois (voir l'illustration ci-contre et à l'étape 2). Retirer la lisière de bois de l'arrière de la hotte.

Fixer la lisière de bois au mur à l'aide des vis à tête fraisée n° 10 - 2 po en s'assurant d'atteindre les montants.

### ATTENTION

**En raison du poids élevé de cette hotte, s'assurer que la lisière de bois est bien rattachée à tous les montants disponibles (un minimum de 2 montants doivent être en contact avec la lisière de bois pour une hotte de 30 po, plus pour une plus large). Ne pas visser la lisière de bois seulement au mur.**



- |                       |   |
|-----------------------|---|
| 1. Mur                | 4. Emplacement des douilles à expansion |
| 2. Lisière de bois    | 5. Tracé de l'arrière de la hotte       |
| 3. Vis à tête fraisée | 6. Montants                             |

## 7. INSTALLER LA CHEMINÉE

### 7.1 INSTALLATION EN ÉVACUATION : CHEMINÉE DÉCORATIVE OPTIONNELLE SÉRIE AEW P

Pour une installation avec conduits; voir les directives fournies avec la cheminée décorative optionnelle.

### 7.2 INSTALLATION EN RECIRCULATION : CHEMINÉE DE L'ENSEMBLE DE RECIRCULATION SÉRIE ANKWP

Pour plus de détails, voir les directives fournies avec l'ensemble de recirculation.

## 8. INSTALLER LA HOTTE

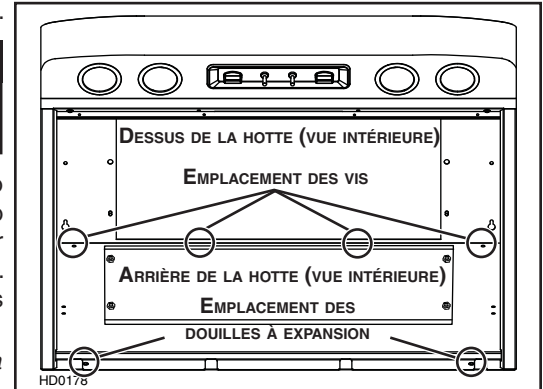
En appuyant la hotte au mur, insérer la lisière de bois dans la cavité arrière de la hotte.

### ATTENTION

**Retenir la hotte jusqu'à ce qu'elle soit complètement vissée à la lisière de bois.**

Fixer la hotte à la lisière de bois, aux endroits indiqués, à l'aide de (4) vis n° 8 x 3/4 po (pour les hottes de 30 po et de 36 po de largeur) ou de (6) vis (pour les hottes de 42 po et plus de largeur) fournies. En se servant des trous existants dans la hotte, percer le mur, aux endroits indiqués, de (2) trous de 3/16 po pour les douilles à expansion. Puis, insérer les (2) douilles à expansion et fixer la hotte à ces douilles avec les (2) vis n° 8 x 3/4 po restantes et les (2) rondelles fournies.

Pour une installation sans conduit, aller à l'étape 11, *Installer la plaque ventilateur à la hotte.*



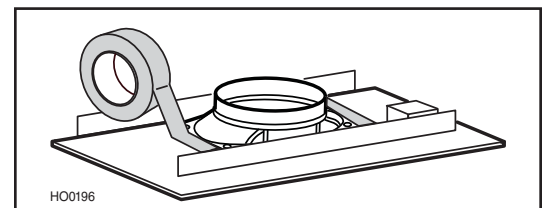
## 9. CHOISIR L'OPTION VENTILATEUR (EXTÉRIEUR OU INTÉRIEUR, INSTALLATION EN ÉVACUATION)

VENTILATEUR INTÉRIEUR : Suivre toutes les étapes subséquentes de ce guide.

VENTILATEUR EXTÉRIEUR : Voir les instructions fournies avec le ventilateur extérieur et suivre les étapes 11 à 13, puis 15 et suivantes du présent guide.

## 10. ASSEMBLER L'ADAPTATEUR/VOLET DE 8 PO À LA PLAQUE VENTILATEUR (SEULEMENT POUR VENTILATEUR INTÉRIEUR IQ6, P3 OU P6, INSTALLATION EN ÉVACUATION)

Assembler l'adaptateur/volet de 8 po à la plaque du ventilateur iQ6, P3 ou P6. Sceller tous les joints avec du ruban à conduits.





## 11. INSTALLER LA PLAQUE VENTILATEUR À LA HOTTE (TOUTES LES INSTALLATIONS)

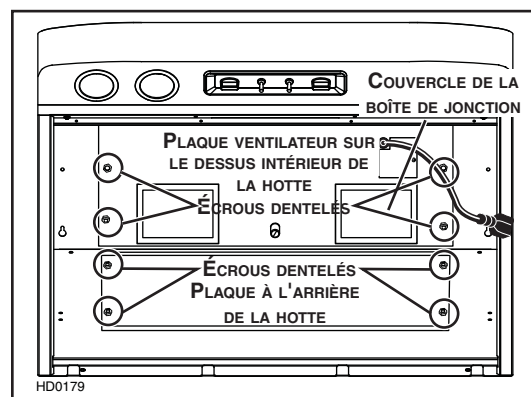
### 11.1 TOUTES LES INSTALLATIONS :

Amener le câble d'alimentation à l'emplacement de la hotte. Pour les détails concernant l'installation de la plaque ventilateur, voir les instructions comprises avec l'ensemble ventilateur et plaque ventilateur (vendu séparément). Installer la plaque ventilateur de façon à ce que sa boîte de jonction se trouve à droite lorsque vous faites face à la hotte.

### 11.2 INSTALLATIONS EN ÉVACUATION SEULEMENT :

Pour une installation avec évacuation par l'arrière, retirer la plaque de l'arrière de la hotte et l'installer sur le dessus pour couvrir l'ouverture. Fixer la plaque à la hotte avec les mêmes (4) écrous dentelés. Pour une installation avec évacuation par le dessus, laisser la plaque à l'arrière de la hotte.

Relier les conduits à l'adaptateur/volet ou à la plaque ventilateur, selon le modèle de ventilateur. Sceller tous les joints à l'aide de ruban pour conduits de métal.



## 12. BRANCHEMENT ÉLECTRIQUE (TOUTES LES INSTALLATIONS)

### ⚠ AVERTISSEMENT

**Risque d'électrocution. Le raccordement électrique doit être effectué par du personnel qualifié conformément aux codes et aux standards. Avant d'effectuer le branchement, coupez l'alimentation électrique au panneau de distribution et verrouillez-le pour éviter une mise en marche accidentelle.**

Retirer le couvercle de la boîte de jonction de la plaque ventilateur et le mettre de côté.

Connecter le fil NOIR au NOIR, le fil BLANC au BLANC et le fil VERT ou dénudé à la vis VERTE de mise à la terre.

Remettre en place le couvercle de la boîte de jonction.

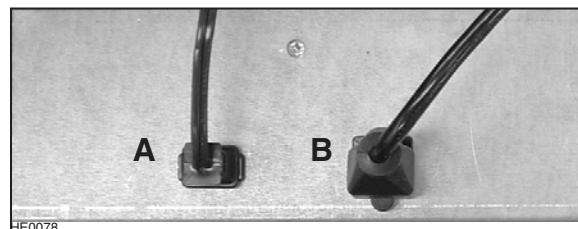
## 13. INSTALLER LE VENTILATEUR (VENTILATEUR INTÉRIEUR OU EXTÉRIEUR)

Pour installer le ventilateur, voir les instructions comprises avec celui-ci.

Une fois installé, brancher le fil du ventilateur à la prise à 2 alvéoles (A) et le fil d'alimentation électrique de la hotte (B) à la fiche à 3 broches, à l'intérieur de la hotte.

### ⚠ AVERTISSEMENT

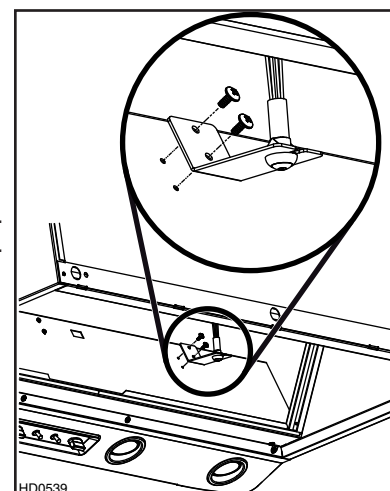
**Ne jamais brancher ensemble le fil du ventilateur au fil d'alimentation de la hotte.**



## 14. INSTALLER LE SUPPORT DU BOUTON DE CALIBRATION DANS LA HOTTE (VENTILATEURS INTÉRIEURS iQ6 ET iQ12 SEULEMENT)

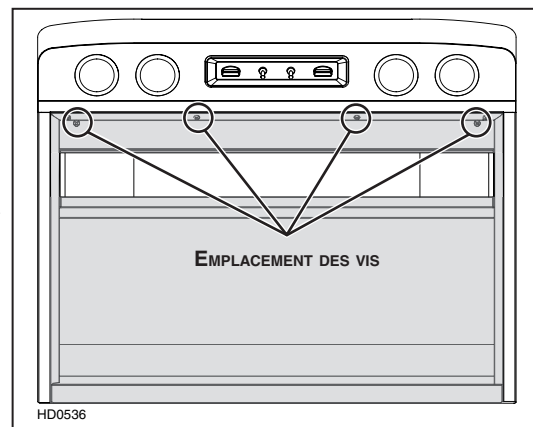
Les deux ventilateurs iQ6 et iQ12 sont munis de bouton de calibration déjà monté sur son support. Installer ce support dans la hotte à l'aide des 2 vis incluses avec le ventilateur intérieur iQ6 ou iQ12.

Voir les détails additionnels dans les directives incluses avec les ventilateurs iQ6 et iQ12.



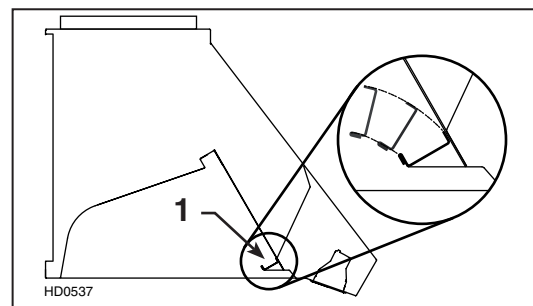
## 15. REMETTRE EN PLACE LE CADRE INTÉRIEUR

Remettre en place le cadre intérieur de la hotte (retiré précédemment à l'étape 5) à l'aide d'un tournevis Phillips n° 2 ou Robertson n° 2 et de ses vis.



## 16. RÉINSTALLER LA (OU LES) GOUTTIÈRE(S) ET LES FILTRES

Réinstaller la (ou les) gouttière(s) (1). L'image ci-contre illustre la façon de réinsérer la gouttière dans la hotte.



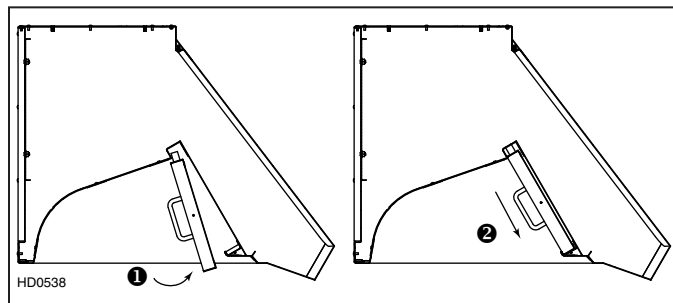
### ATTENTION

**Avant de réinstaller les filtres à chicane hybrides, retirer la pellicule de plastique protectrice de ceux-ci.**

Il est recommandé d'installer d'abord les filtres situés aux extrémités et de terminer avec celui (ceux) du centre.

- 1 Introduire l'extrémité du filtre avec le ressort de filtre dans le rail supérieur de la hotte.
- 2 Lever l'autre bout du filtre à l'intérieur de la hotte et l'introduire dans la gouttière.

Des filtres de rechange sont disponibles chez votre marchand. Consulter l'étiquette à l'intérieur de la hotte pour connaître le format et le numéro de pièce des filtres.



## 17. REMPLACEMENT DES LAMPES HALOGÈNES

L'éclairage de cette hotte est produit par des ampoules halogènes avec écran (120 V, 50 W, MR16 ou PAR16 avec culot GU10) fournies.

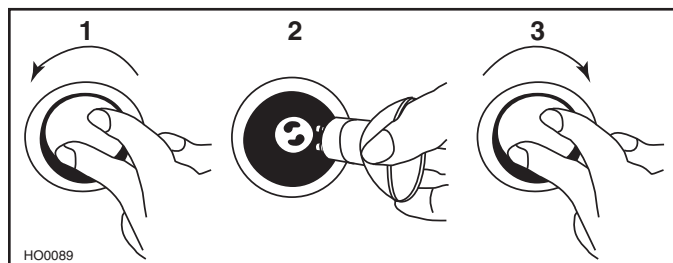
### ⚠ AVERTISSEMENT

**Ne pas toucher aux lampes durant ou peu après leur utilisation. Peuvent causer des brûlures. Afin de réduire le risque de blessures corporelles, n'installer que des ampoules halogènes avec écran. Aussi, ne jamais installer une ampoule à faisceau froid, dichroïque, non conçue pour des luminaires encastrés ou conçue uniquement pour des luminaires fermés.**

1. Pour retirer les ampoules, pousser doucement vers le haut et tourner dans le sens contraire des aiguilles d'une montre pour désengager les conducteurs hors de leur rainure.

NOTE: Pour obtenir une meilleure prise de l'ampoule lors de son retrait, utiliser un gant à vaisselle ou la ventouse de Best. Contacter le service à la clientèle de Best au 1 800 558-1711 pour commander la ventouse, numéro de pièce 99526707.

2. Installer les nouvelles ampoules en glissant leurs conducteurs dans les rainures, à l'intérieur des douilles.



3. Pousser doucement vers le haut et tourner dans le sens des aiguilles d'une montre jusqu'à ce que les ampoules soient bien en place.

## 18. ENTRETIEN

### Filtres à chicane hybride

Les filtres à chicane hybrides doivent être nettoyés fréquemment. Utiliser une solution d'eau chaude et de détergent. Les filtres à chicane doivent être lavés plus souvent si vos habitudes de cuisson génèrent plus de graisse, comme par exemple de la friture ou des aliments sautés au wok.

Retirer les filtres en les poussant vers l'arrière de la hotte et en les retournant vers le bas. Les filtres à chicane sont lavables au lave-vaisselle. Laisser les filtres sécher complètement avant de les réinstaller dans la hotte.

Nettoyer les filtres fabriqués entièrement de métal au lave-vaisselle à l'aide d'un détergent sans phosphate. L'utilisation d'un détergent avec phosphates ainsi que les conditions locales de l'eau peuvent entraîner une décoloration des filtres, sans toutefois affecter leur performance. Cette décoloration n'est pas couverte par la garantie.

### ATTENTION

**Ne jamais tenter de laver les filtres au charbon du kit de recirculation. Ces filtres doivent être remplacés par des nouveaux. Voir les directives fournies avec le kit de recirculation.**

### Gouttière

La gouttière doit être nettoyée fréquemment. Pour ce faire, la désengager de la hotte et utiliser une solution d'eau chaude et de détergent. Tout comme les filtres à chicane, la laver plus souvent si vos habitudes de cuisson génèrent plus de graisse, comme par exemple de la friture ou des aliments sautés au wok. Essuyer complètement la gouttière avant de la réinstaller dans la hotte.

### Nettoyage du ventilateur

Retirer les filtres pour accéder au ventilateur. Passer l'aspirateur pour le nettoyer, ne pas l'immerger dans l'eau. Pour plus de détails, consulter le guide d'installation du ventilateur.

### Nettoyage de la hotte

Acier inoxydable :

#### À faire :

- Laver régulièrement les surfaces à l'aide d'un chiffon ou linge propre imbibé d'eau tiède et de savon doux ou de détergent liquide à vaisselle.
- Toujours nettoyer dans le sens du polissage.
- Toujours bien rincer avec de l'eau claire (2 à 3 fois) et essuyer complètement.
- Un nettoyant domestique conçu spécialement pour l'acier inoxydable peut aussi être utilisé.

#### À ne pas faire :

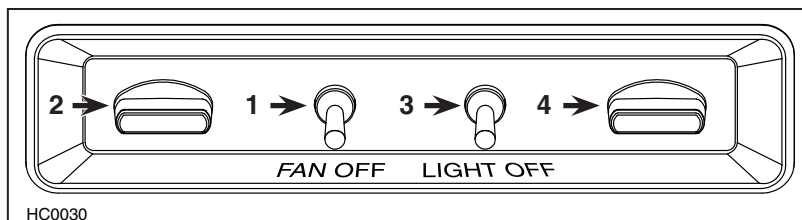
- Ne pas utiliser de laine d'acier ou d'acier inoxydable ou tout autre grattoir pour enlever la saleté tenace.
- Ne pas utiliser une poudre nettoyante abrasive ou rugueuse.
- Ne pas laisser la saleté s'accumuler.
- Ne pas laisser la poussière de plâtre ou tout autre résidu de construction atteindre la hotte. Couvrir la hotte pour la durée des travaux afin de s'assurer qu'aucune poussière n'atteigne la hotte.

#### À éviter lors du choix d'un détergent :

- Tous produits nettoyants contenant des **agents de blanchiment**; ils attaqueront l'acier inoxydable.
- Tous produits contenant du **chlorure**, du **fluorure**, de l'**iode** ou du **bromure**; ils détérioreront rapidement les surfaces.
- Tous produits combustibles utilisés pour le nettoyage : **acétone**, **alcool**, **éther**, **benzène**, etc.; ils sont grandement explosifs et ne devraient jamais être utilisés près d'une cuisinière.

## 19. FONCTIONNEMENT

Toujours mettre en marche la hotte avant de commencer la cuisson afin d'établir une circulation d'air dans la cuisine. Laisser la hotte fonctionner quelques minutes après la fin de la cuisson afin de nettoyer l'air. Cela aidera à garder la cuisine plus propre et plus fraîche.



1. Interrupteur Marche/Arrêt du ventilateur  
2. Commande de vitesse du ventilateur

3. Interrupteur Marche/Arrêt des lampes halogènes  
4. Commande de l'intensité d'éclairage

### Ventilateur

Le ventilateur est contrôlé par deux commandes. Utiliser l'interrupteur Marche/Arrêt (1 dans l'illustration ci-dessus) pour activer ou arrêter le ventilateur. Une fois en marche, le ventilateur fonctionnera à la vitesse présélectionnée par la commande de vitesse (2 dans l'illustration ci-dessus). Pour augmenter la vitesse, tourner le bouton de commande de vitesse dans le sens contraire des aiguilles d'une montre et pour ralentir la vitesse, dans le sens des aiguilles d'une montre.

### HEAT SENTRY<sup>MC</sup>

Cette hotte est munie d'un thermostat Heat Sentry<sup>MC</sup>. Ce thermostat est un dispositif qui augmentera la vitesse du ventilateur s'il détecte une chaleur excessive au-dessus de la surface de cuisson.

Si le ventilateur fonctionne en basse vitesse, le ventilateur passera en haute vitesse.

### ⚠ AVERTISSEMENT

**Lors d'un feu de cuisson ou d'une chaleur excessive, le Heat Sentry peut mettre le ventilateur en marche même s'il est arrêté. Si tel est le cas, il est impossible d'arrêter le ventilateur à l'aide de son interrupteur. Si vous devez arrêter le fonctionnement du ventilateur, le débrancher de la hotte en tirant sur la fiche à 2 broches de son cordon (située derrière les filtres); ne pas tirer sur le cordon.**

Lorsque la température revient à la normale, le ventilateur retourne à sa vitesse d'origine.

### Éclairage (halogène)

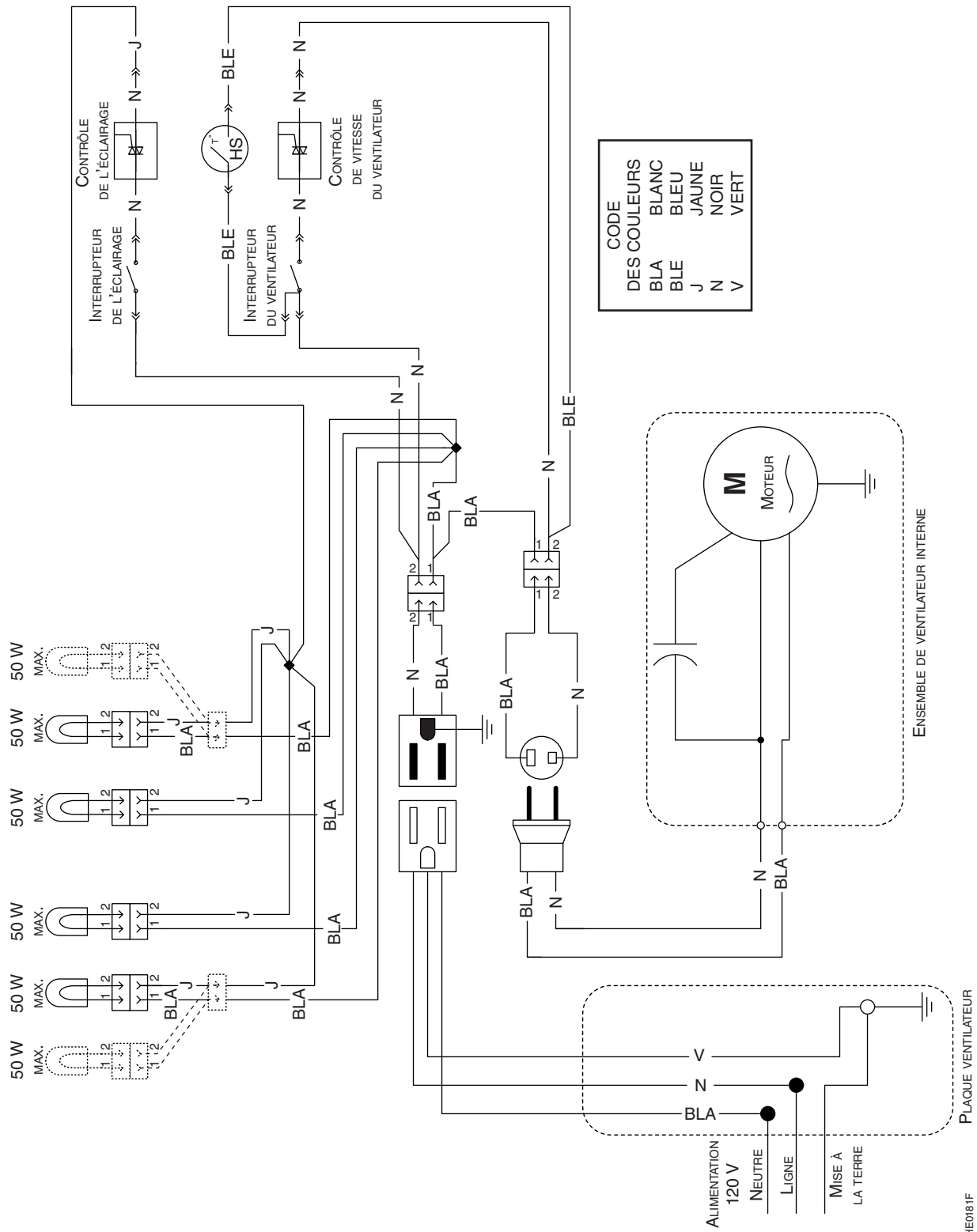
L'éclairage halogène est contrôlé par deux commandes : un interrupteur Marche/Arrêt (3 dans l'illustration ci-dessus) et un bouton de commande d'intensité d'éclairage. Une fois allumées, les ampoules halogènes éclaireront la surface de cuisson à l'intensité présélectionnée par la commande d'intensité (4 dans l'illustration ci-dessus).

Pour augmenter l'intensité d'éclairage, tourner le bouton de commande d'intensité dans le sens contraire des aiguilles d'une montre et pour diminuer l'intensité, dans le sens des aiguilles d'une montre.

Utiliser des ampoules halogènes avec écran de 120 V, 50 W, MR16 ou PAR16 avec culot GU10 (fournies).

# 20. SCHÉMAS ÉLECTRIQUES

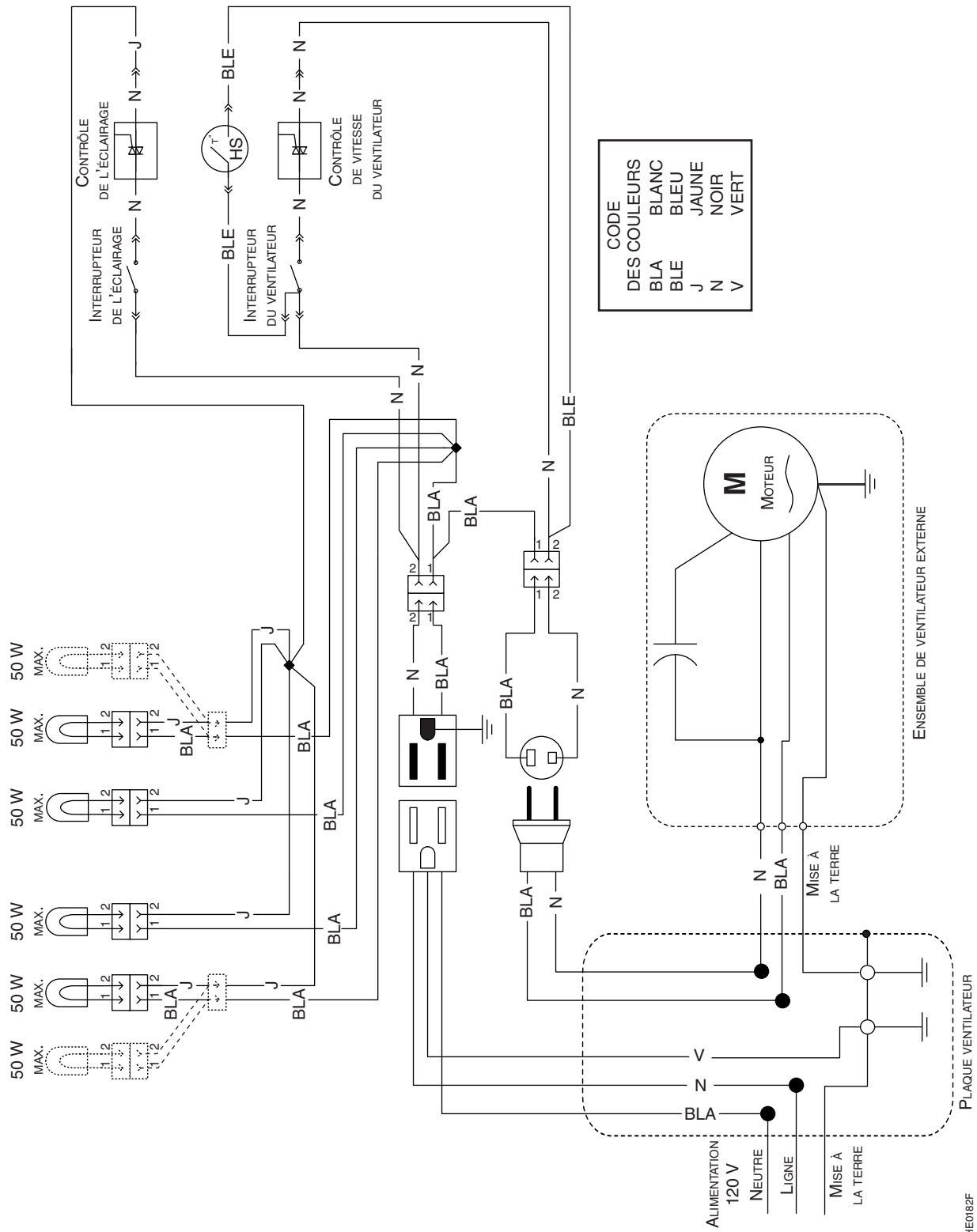
## VENTILATEUR INTERNE



HE0181F

# 20. SCHÉMAS ÉLECTRIQUES (SUITE)

## VENTILATEUR EXTÉRIEUR OU EN LIGNE



## 21. GARANTIE

### GARANTIE LIMITÉE DE UN AN DES PRODUITS BEST

Broan-NuTone LLC (Broan-NuTone) garantit à l'acheteur consommateur initial de produits Best qu'ils sont exempts de tout défaut dans les matières premières ou la main-d'œuvre, pour une période de un an à compter de la date d'achat par le consommateur initial. IL N'Y A PAS D'AUTRES GARANTIES, EXPRIMÉES OU IMPLICITES, INCLUANT, MAIS NON LIMITÉES AUX GARANTIES IMPLICITES POUR FIN DE COMMERCIALISATION ET DE CONVENANCE DANS UN BUT PARTICULIER.

Durant cette période de un an, Broan-NuTone, à sa discrétion, réparera ou remplacera gratuitement, tout produit ou pièce qui s'avère défectueux et ayant été utilisé normalement et d'une manière non abusive.

CETTE GARANTIE NE COUVRE PAS LES STARTERS DE TUBES FLUORESCENTS, LES FLUORESCENTS, LES AMPOULES HALOGÈNES ET À INCANDESCENCE, LES FUSIBLES, LES FILTRES, LES CONDUITS, LES CAPUCHONS DE TOIT, LES CAPUCHONS DE MUR ET LES AUTRES ACCESSOIRES DE CONDUITS.

Cette garantie ne couvre pas (a) l'entretien et le service normal ou (b) tout produit ou pièce endommagé à la suite de mauvais usage, de négligence, d'accident, d'entretien inapproprié ou de réparation (autre que par Broan-NuTone), d'une installation inadéquate ou non conforme au mode d'installation recommandé.

La durée de toute garantie implicite est limitée à une période de un an telle qu'elle est spécifiée pour la garantie exprimée. Certains États ou provinces ne permettent pas de limite de temps sur les garanties implicites. Si tel est le cas, veuillez ne pas tenir compte de la dernière limite décrite ci-dessus.

**L'ENGAGEMENT DE BROAN-NUTONE DE RÉPARER OU DE REMPLACER, AU CHOIX DE BROAN-NUTONE, SERA LA SEULE OBLIGATION EXCLUSIVE SOUS CETTE GARANTIE. BROAN-NUTONE NE SERA PAS TENUE RESPONSABLE DES DOMMAGES DIRECTS, INDIRECTS OU SPÉCIAUX SURVENANT À CAUSE DE OU EN RAPPORT À L'UTILISATION OU À LA PERFORMANCE DE SES PRODUITS. Certains États ou provinces ne permettent pas l'exclusion ou la limite relative aux dommages directs, indirects ou spéciaux. Si tel est le cas, veuillez ne pas tenir compte de l'exclusion ou de la limite ci-dessus.**

Cette garantie vous donne des droits légaux spécifiques et il se peut que vous ayez d'autres droits qui varient d'un État ou d'une province à l'autre. Cette garantie annule toutes les autres garanties précédentes.

Pour obtenir le service sous garantie, vous devez (a) aviser Broan-NuTone à l'adresse ou au numéro de téléphone mentionnés ci-dessous, (b) donner le numéro du modèle et l'identification de la pièce et (c) décrire la nature de tout défaut dans le produit ou la pièce. Au moment de la demande de service sous garantie, vous devez présenter une preuve de la date d'achat initial dudit produit.

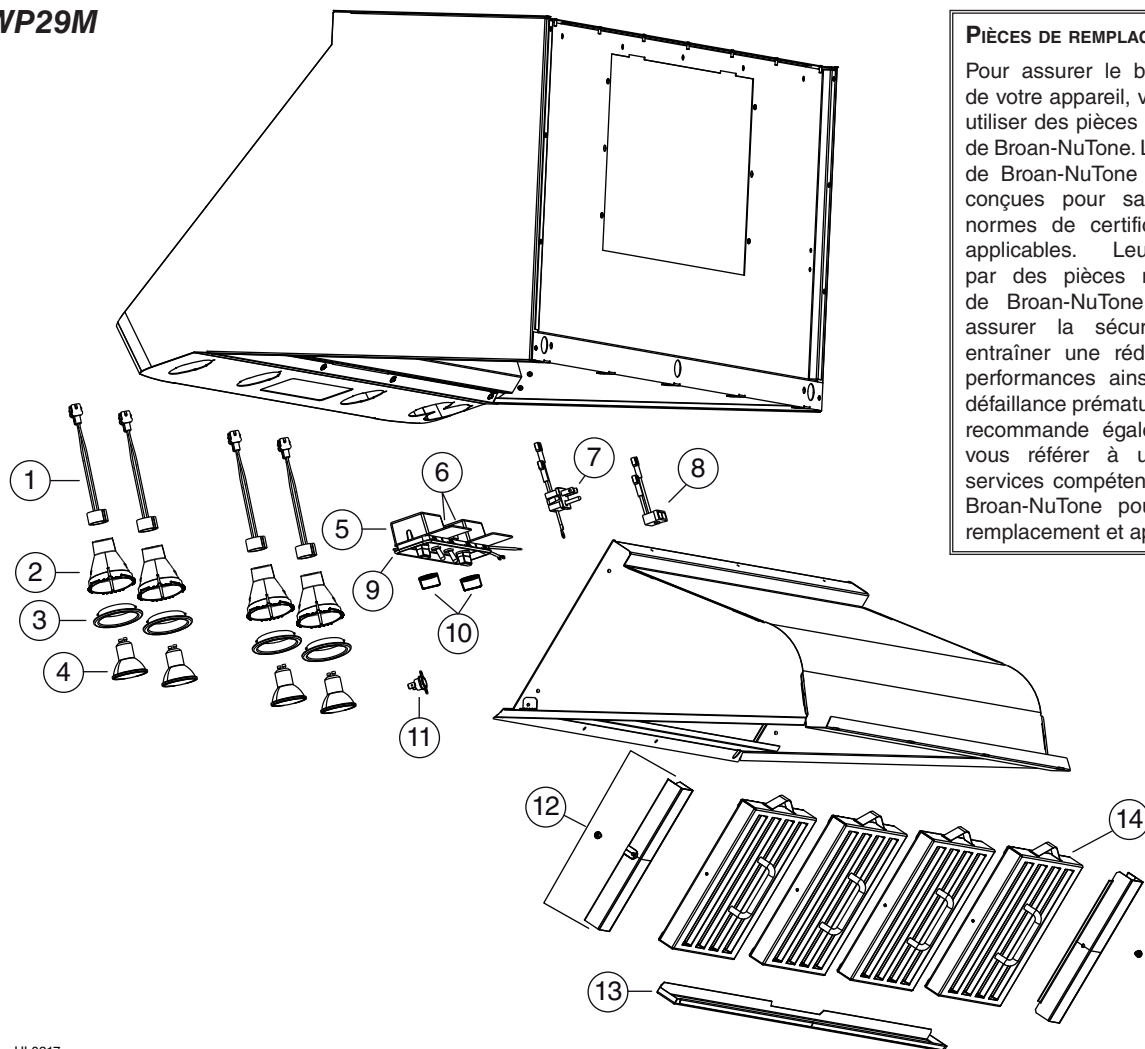
**Aux États-Unis - Best®**, 926 W. State Street, Hartford, WI 53027 (800 558-1711)

**Au Canada - Best®**, 550 boul. Lemire, Drummondville (Québec), Canada J2C 7W9 (866 737-7770)

[www.BestRangeHoods.com](http://www.BestRangeHoods.com)

## 22. PIÈCES DE REMPLACEMENT

### Série WP29M



#### PIÈCES DE REMPLACEMENT ET SERVICE

Pour assurer le bon fonctionnement de votre appareil, vous devez toujours utiliser des pièces d'origine provenant de Broan-NuTone. Les pièces d'origine de Broan-NuTone sont spécialement conçues pour satisfaire toutes les normes de certification de sécurité applicables. Leur remplacement par des pièces ne provenant pas de Broan-NuTone pourrait ne pas assurer la sécurité de l'appareil, entraîner une réduction sévère des performances ainsi qu'un risque de défaillance prématurée. Broan-NuTone recommande également de toujours vous référer à une entreprise de services compétente et reconnue par Broan-NuTone pour vos pièces de remplacement et appels de service.

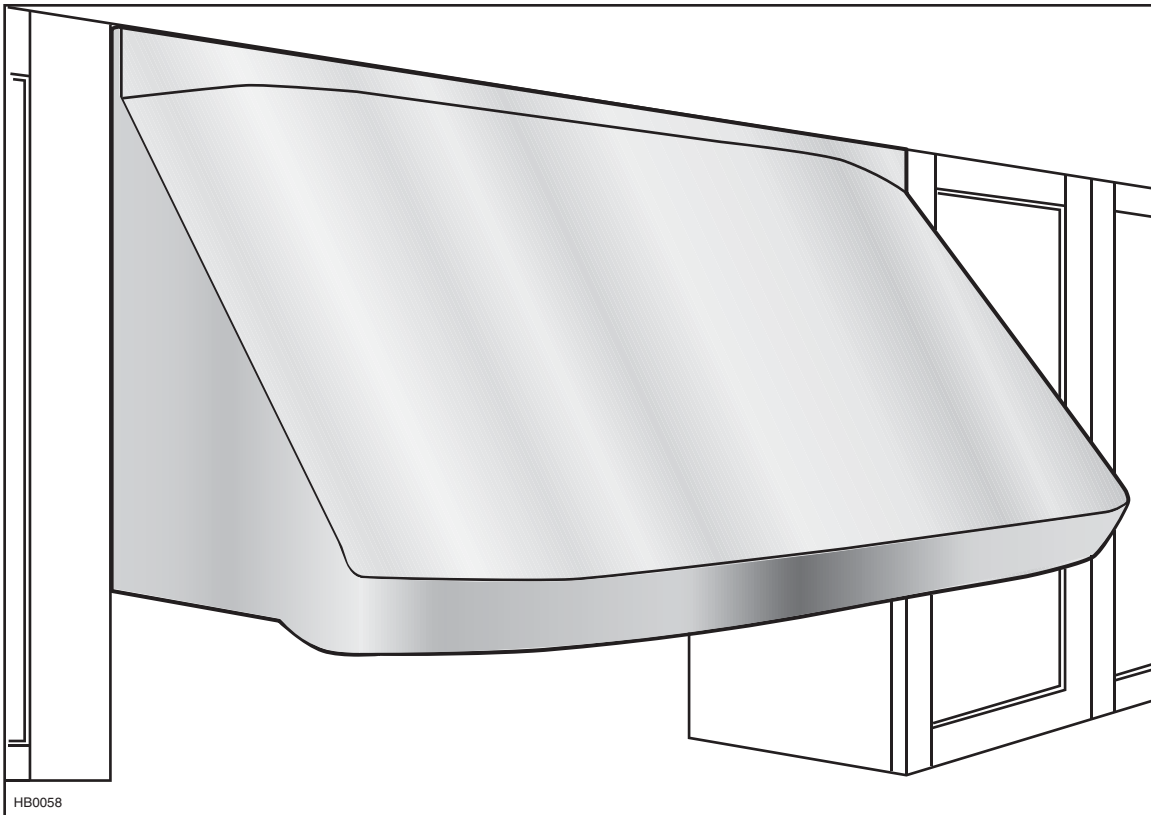
HL0217

N° RÉF.	N° DE PIÈCE	DESCRIPTION	QUANTITÉ (LARGEUR HOTTE)					
			30 PO	36 PO	42 PO	48 PO	54 PO	60 PO
1	SV05917	DOUILLE GU10	4	4	4	6	6	6
2	SV09435	SUPPORT DE DOUILLE GU10	4	4	4	6	6	6
3	SV09434	GARNITURE DE LAMPE ACIER INOXYDABLE	4	4	4	6	6	6
4	SV05921	AMPOULES HALOGÈNES AVEC ÉCRAN (50 W, 120 V, PAR16, GU-10)	4	4	4	6	6	6
5	SV03501	COMMANDE ROTATIVE	2	2	2	2	2	2
6	SV07689	INTERRUPTEUR À LEVIER	2	2	2	2	2	2
7	SV13924	CONNECTEUR MÂLE	1	1	1	1	1	1
8	SV13923	CONNECTEUR FEMELLE	1	1	1	1	1	1
9	SV16966	ENSEMBLE DE CADRE ET DE BOUTONS DE COMMANDE EN PLASTIQUE	1	1	1	1	1	1
10	SV07688	BOUTON	2	2	2	2	2	2
11	SV03435	HEAT SENTRY <sup>MC</sup>	1	1	1	1	1	1
12	SV61691	ENTRETOISES POUR FILTRES ET VIS (PAIRE)	-	-	1	-	-	-
13	SV61932	GOUTIÈRE 30 PO	1	-	-	-	-	2
	SV61933	GOUTIÈRE 36 PO	-	1	-	-	-	-
	SV61934	GOUTIÈRE 42 PO	-	-	1	-	-	-
	SV61935	GOUTIÈRE 48 PO	-	-	-	1	1	-
14	SV61639	FILTRE À CHICANE HYBRIDE 8,84 PO X 8,61 PO X 1 PO	3	1	4	5	5	6
	SV16968	FILTRE À CHICANE HYBRIDE 11,84 PO X 8,61 PO X 1 PO	-	2	-	-	-	-
*	SV07693	GUIDE D'INSTALLATION	1	1	1	1	1	1
*	SV12971	SACHET DE PIÈCES : 4 VIS À TÊTE FRAISÉE N° 10 X 2 PO, 8 VIS N° 8 X 3/4 PO, 4 ÉCROUS N° 10-32, 2 DOUILLES À EXPANSION, 2 RONDELLES 3/16 PO DI X 3/4 PO DE	1	1	1	1	1	1
*	SV05869	LOGO BEST	1	1	1	1	1	1

\* NON ILLUSTRÉE



# best®



## SERIE WP29M

⚠ SÓLO PARA COCINA DOMÉSTICA ⚠

**LEA Y CONSERVE ESTAS INSTRUCCIONES**

INSTALADOR: ENTREGUE ESTE MANUAL AL PROPIETARIO DE LA CASA.  
PROPIETARIO: INFORMACIÓN SOBRE UTILIZACIÓN, CUIDADO Y FUNCIONAMIENTO  
EN LAS PÁGINAS 43 Y 44.

BEST; Hartford, Wisconsin [www.BestRangeHoods.com](http://www.BestRangeHoods.com) 800-558-1711  
BEST; Drummondville, Qc, Canada [www.BestRangeHoods.com](http://www.BestRangeHoods.com) 866-737-7770

Para registrar su producto en línea o para obtener más información, visitar nuestro sitio [www.BestRangeHoods.com](http://www.BestRangeHoods.com)

## **⚠️ ADVERTENCIA**

### **PARA REDUCIR EL RIESGO DE INCENDIO, DESCARGA ELÉCTRICA O LESIÓN CORPORAL, RESPETE LAS SIGUIENTES INDICACIONES:**

1. Utilice esta aparato únicamente de la forma en que indica el fabricante. Si tiene cualquier pregunta, póngase en contacto con el fabricante en la dirección o el teléfono que aparecen en la garantía.
2. Antes de reparar o limpiar el aparato, apáguelo en el tablero de servicio y bloquee los medios de desconexión para impedir que la corriente se conecte accidentalmente. Cuando no se pueda bloquear los medios de desconexión, coloque un dispositivo de advertencia visible (como una etiqueta) en el tablero de servicio.
3. La instalación y la conexión eléctrica deben ser realizadas por personal calificado de acuerdo con todos los códigos y normas aplicables, incluso los relativos a la construcción ignífuga.
4. Para lograr una combustión adecuada y una extracción correcta de los gases a través de la salida del humo (chimenea) del equipo quemador de combustible — evitando así el contratiempo — es necesario disponer de aire suficiente. Siga las directrices del fabricante del equipo de material térmico y las normas de seguridad, como las que publica la NFPA (asociación de protección contra los incendios) y la ASHRAE (sociedad estadounidense de técnicos de calefacción, refrigeración y aire acondicionado) así como los códigos de los organismos responsables locales.
5. Al cortar o perforar la pared o el techo, procure no dañar el cableado eléctrico ni otras instalaciones de servicios públicos.
6. Los ventiladores entubados siempre deben tener salida al exterior.
7. No utilice este aparato con un dispositivo de control de velocidad con semiconductores.
8. Para reducir el riesgo de incendio, utilice sólo tuberías metálicas.
9. Este aparato debe conectarse a tierra.
10. Cuando una reglamentación local esta en vigor y conlleva exigencias de instalación y/o de certificación más estrictas, susodichas exigencias prevalecen sobre aquellas en este documento y el instalador acepta someterse a estas exigencias a sus gastos.

### **PARA REDUCIR EL RIESGO DE QUE ARDA LA GRASA EN LA PARTE SUPERIOR DE LA COCINA:**

- a) No deje nunca recipientes de cocina a fuego vivo sin vigilancia. Los desbordamientos producen humo y derrames grasientos que pueden inflamarse. Caliente el aceite despacio, a fuego lento o mediano.
- b) Ponga en marcha siempre la campana extractora al cocinar a temperaturas elevadas o al cocinar alimentos flameados (crepas Suzette, cerezas jubilee, res con pimienta flambeada).
- c) Limpie los ventiladores con frecuencia. No deje que la grasa se acumule en el ventilador, ni en los filtros o en los conductos de evacuación.
- d) Utilice cacerolas de tamaño apropiado. Emplee siempre un recipiente adecuado para el tamaño de la placa.

## **⚠️ ADVERTENCIA**

### **PARA REDUCIR EL RIESGO DE LESIONES CORPORALES EN EL CASO DE QUE ARDA LA GRASA EN LA PARTE SUPERIOR DE LA COCINA, SIGA ESTAS INDICACIONES\*:**

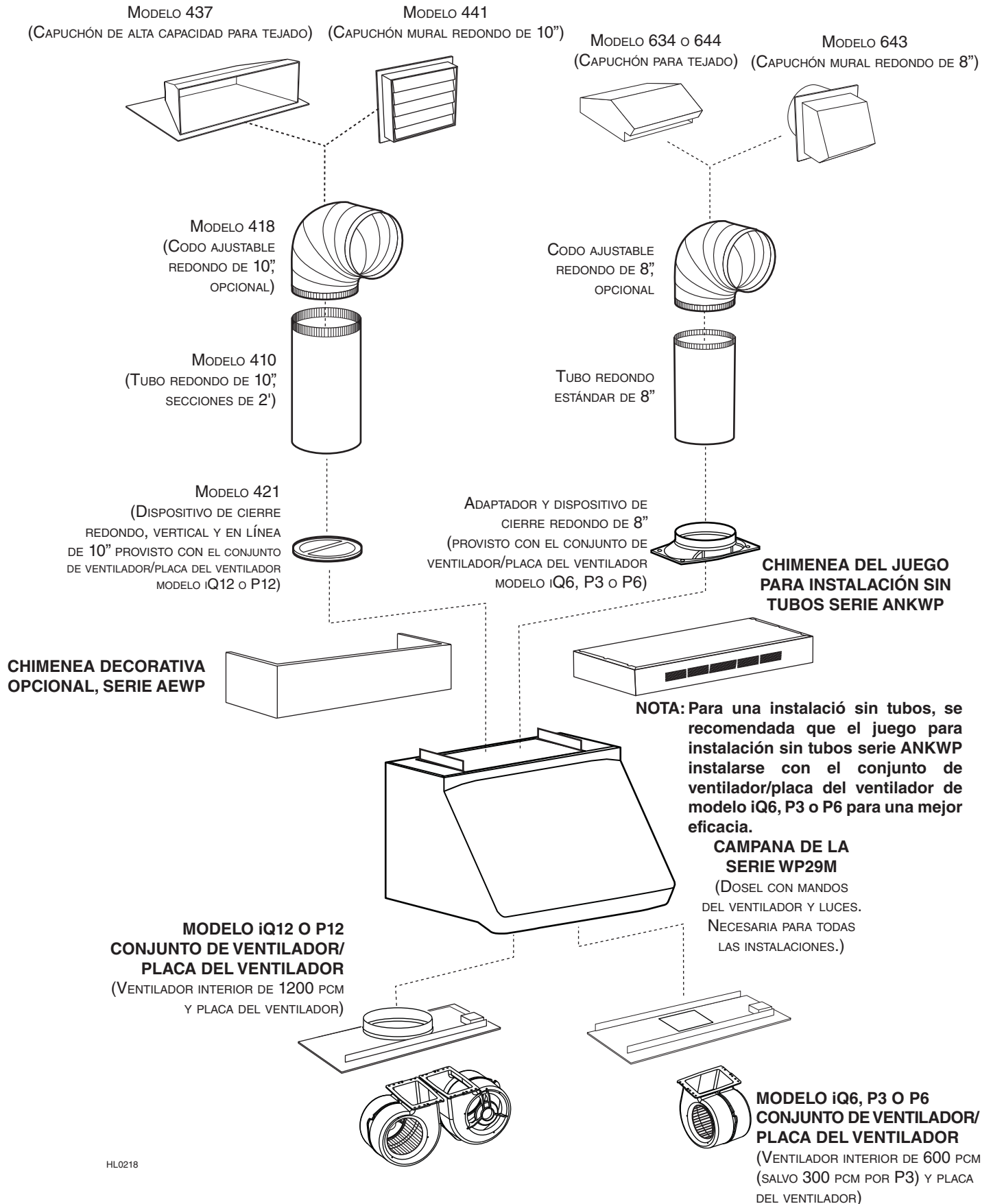
1. SOFOQUE LAS LLAMAS con una tapa ajustada, una placa o bandeja metálica para hornear galletas, y apague luego el quemador. TENGA CUIDADO PARA EVITAR QUEMADURAS. SI LAS LLAMAS NO SE APAGAN INMEDIATAMENTE, EVACUE EL LUGAR Y LLAME A LOS BOMBEROS.
2. NO SUJETE NUNCA UNA SARTÉN EN LLAMAS ya que podría quemarse.
3. NO USE AGUA, ni trapos húmedos. Podría causar una violenta explosión de vapor.
4. Utilice un extintor SOLAMENTE si:
  - A. Tiene un extintor de tipo ABC y sabe usarlo.
  - B. El incendio es pequeño y está circunscrito a la zona donde empezó.
  - C. Ya ha llamado a los bomberos.
  - D. Puede tratar de apagar el fuego si dispone siempre de una salida detrás de usted.

\* Fuente: "Kitchen Fire Safety Tips" publicado por la NFPA.

## **PRECAUCIÓN**

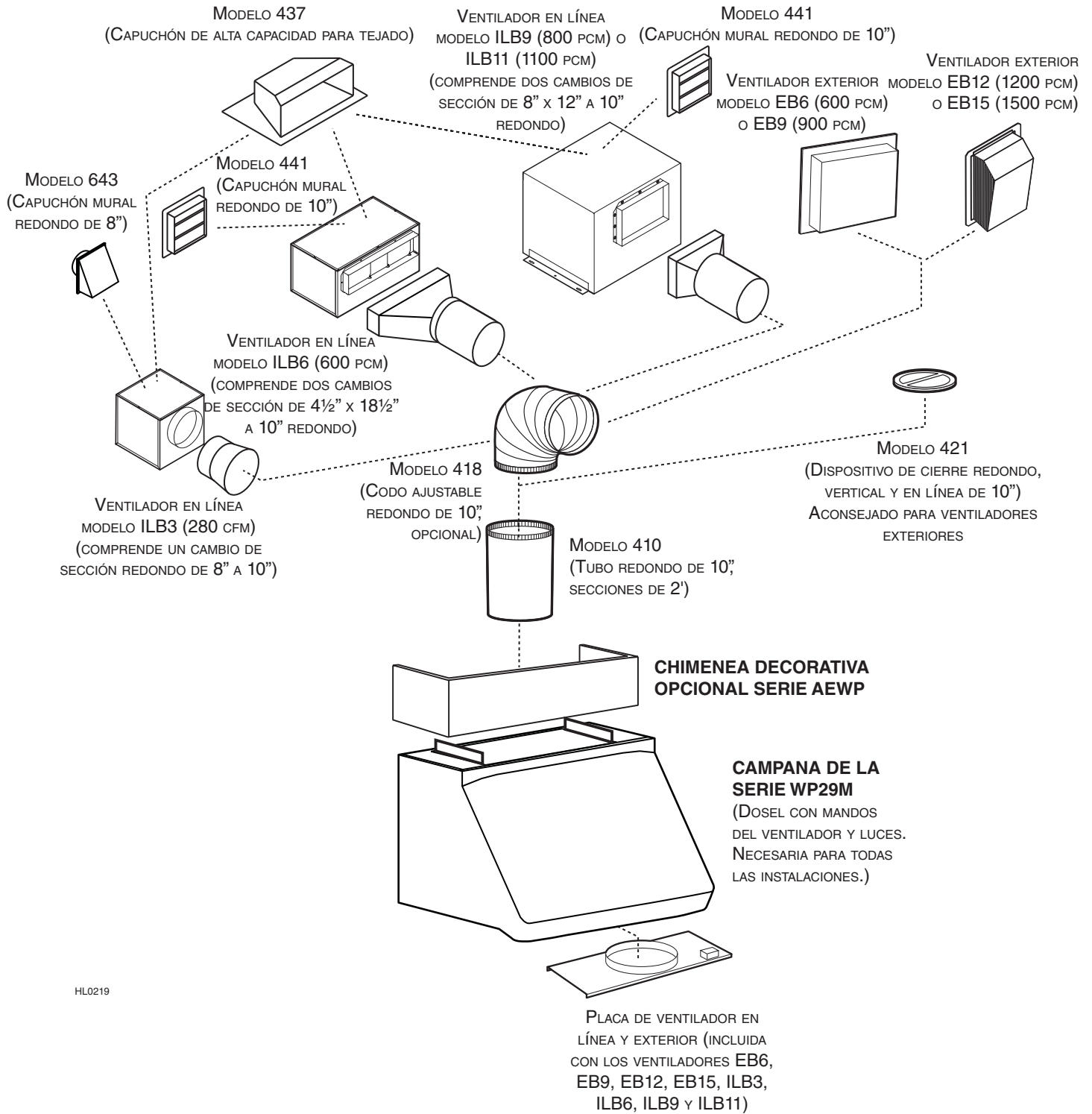
1. Sólo para una utilización en el interior.
2. Sólo para ventilación general. No debe utilizarse para extraer materiales o vapores peligrosos o explosivos.
3. Para evitar daños en el cojinete del motor y que la hélice haga ruido o se desequilibre, mantenga la unidad de alimentación lejos de los vaporizadores de pirca, del polvo de la construcción, etc.
4. El motor de la campana tiene un dispositivo contra sobrecargas térmicas que apaga el motor automáticamente si éste se sobrecalienta. El motor volverá a ponerse en marcha cuando se enfríe. Si el motor sigue apagándose, haga examinar la campana.
5. Para lograr una mejor captura de las impurezas producidas al cocinar, la parte inferior de la campana deberá estar a un mínimo de 24" y un máximo de 36" sobre el nivel la superficie para cocinar.
6. Dado el peso y el tamaño de esta campana, se aconsejan dos personas para instalarla.
7. Para reducir los riesgos de incendio y extraer el aire debidamente, el aire debe evacuarse fuera. No extraiga el aire a espacios situados entre las paredes, en el techo o en el desván, falso techo o garaje.
8. Este producto está equipado con un termostato que puede poner en marcha el ventilador automáticamente. Para reducir el riesgo de que se produzcan daños y evitar poner en marcha la alimentación accidentalmente, apague la corriente en el tablero de servicio, bloquee este tablero o ponga una etiqueta de advertencia.
9. A causa de la gran capacidad de evacuación de esta campana, usted debe asegurarse que suficiente aire entre en la casa para reemplazar el aire evacuado, utilizando un dispositivo de aire de reposición o abriendo una ventana a el interior o cerca de la cocina por ejemplo.
10. Para reducir el riesgo de incendio o de choque eléctrico, la serie WP29M de Best debe instalarse con los modelos iQ6, P3, P6, iQ12 o P12 de ventiladores impelentes interiores de Best, los ventiladores exteriores EB6, EB9, EB12 o EB15 de Best o con los ventiladores en línea ILB3, ILB6, ILB9 o ILB11 de Best. No utilice otros ventiladores. Los ventiladores se venden aparte.
11. Para mayor información y conocer los requisitos, lea la etiqueta con las especificaciones en el producto.

# - CAMPANAS DE COCINA DE LA SERIE WP29M - VENTILADORES INTERIORES



HL0218

## - CAMPANAS DE COCINA DE LA SERIE WP29M - VENTILADORES EN LÍNEA Y EXTERIORES



HL0219

# 1. SELECCIÓN DEL TIPO DE VENTILADOR E INSTALACIÓN

## 1.1 INSTALACIÓN SIN TUBOS

Para una instalación sin tubos, se recomienda de utilice el ventilador interior Best de modelo iQ6, P3 o P6, a fin de mantener la eficacia a su nivel óptimo. El ventilador se vende aparte.

Debe instalarse el juego para instalación sin tubos, serie ANKWP (se vende aparte). Este juego es apropiado a las campanas de 30" a 48" de anchura.

## 1.2 INSTALACIÓN CON TUBOS

Para una instalación con tubos, esta campana permite utilizar un ventilador interior, exterior o en línea. La serie WP29M de Best sólo debe instalarse con los ventiladores iQ6, P3, P6, iQ12, P12, ILB3, ILB6, ILB9, ILB11, EB6, EB9, EB12 o EB15.

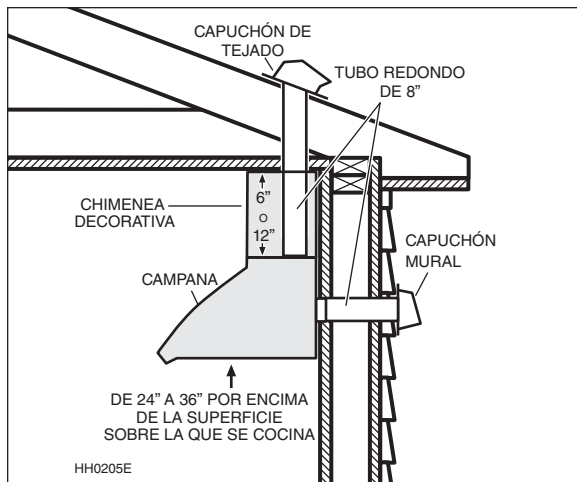
No utilice otros ventiladores. Los ventiladores se venden aparte.

Prevea el lugar y la forma en que instalará las tuberías.

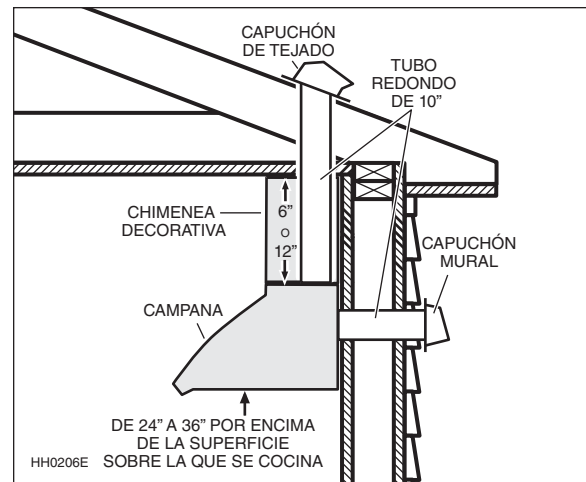
**Si instala un ventilador en línea, consulte las instrucciones que vienen con él y siga las etapas 1 a 8, 11, 12, 15 y posteriores de este manual.**

Instale tuberías, codos y capuchones para tejado o murales del tamaño adecuado para el tipo de ventilador que vaya a poner. Utilice cinta para tubos metálicos para sellar las juntas de los tubos.

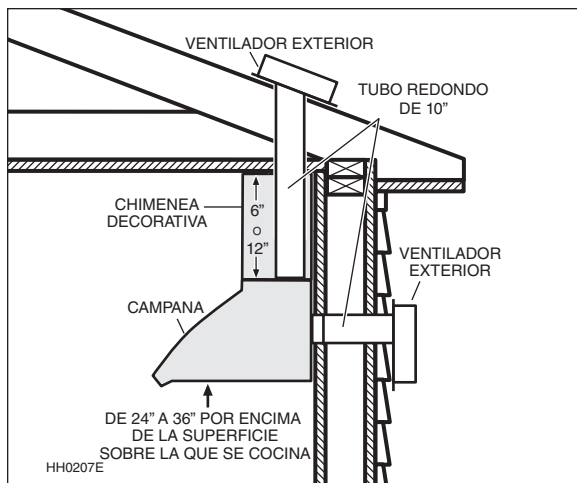
**NOTA:** Para tubos de 8 pulg., es recomendado que haya un tubo recto de mínimo 6 pulg. de longitud entre la campana y un codo, y para tubos de 10 pulg., esta longitud es de mínimo 12 pulg.



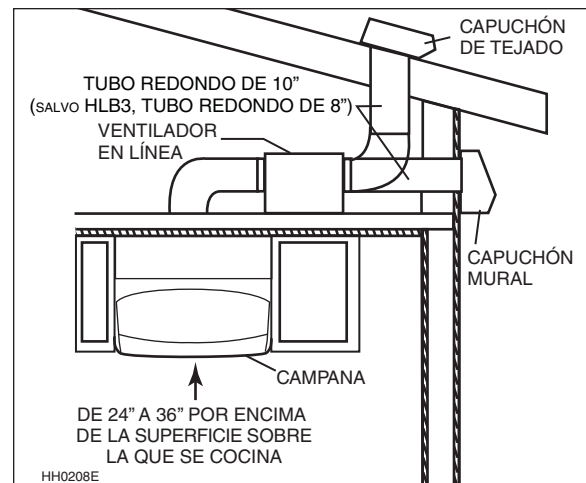
**INSTALACIÓN HABITUAL CON EL VENTILADOR SIMPLE iQ6, P3 O P6**



**INSTALACIÓN HABITUAL CON EL VENTILADOR DOBLE iQ12 O P12**



**INSTALACIÓN HABITUAL CON EL VENTILADOR EXTERIOR EB6, EB9, EB12 O EB15**



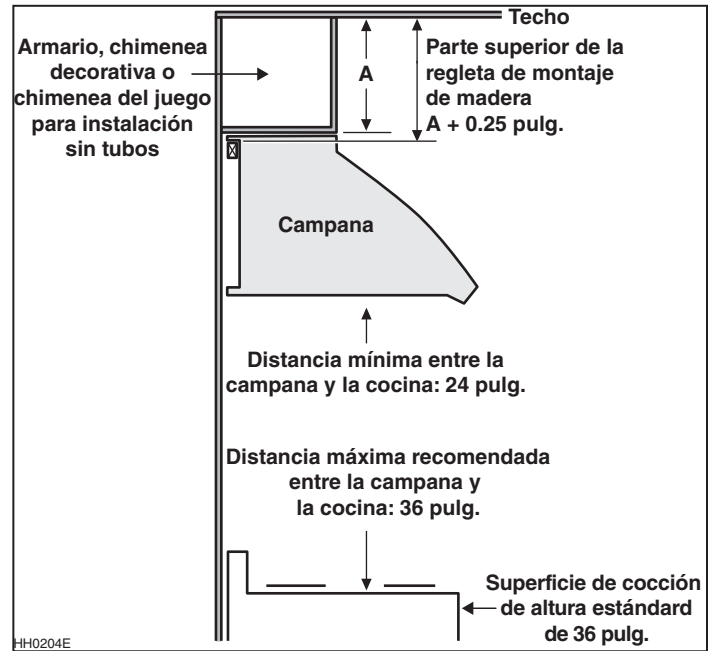
**INSTALACIÓN HABITUAL CON EL VENTILADOR EN LÍNEA ILB3, ILB6, ILB9 O ILB11**

## 2. MEDIDAS

La ilustración de al lado muestra las dimensiones para la instalación habitual.

**Para un funcionamiento adecuado, la campana ha de estar a una distancia mínima de 24 pulgadas con respecto a la superficie sobre la que se cocina, y a una máxima de 36 pulgadas para que pueda captar bien las impurezas que se desprenden al cocinar.**

Si se utilizan distancias superiores a 36 pulgadas, el instalador y el usuario son responsables de los posibles problemas.



**DISTANCIA MÍNIMA Y MÁXIMA ENTRE LA CAMPANA Y LA SUPERFICIE DE COCCIÓN**

## 3. PREPARACIÓN DE LA INSTALACIÓN

### ⚠ ADVERTENCIA

**Se aconseja llevar anteojos y guantes de seguridad al instalar, reparar o limpiar el aparato.**

NOTA: Antes de comenzar la instalación, verificar el contenido de la caja. Si alguna pieza falta o está dañada, póngase en contacto con el fabricante.

Retire el juego de instalación del interior de la campana.

Compruebe que la campana venga con los siguientes componentes:

- Regleta de montaje (atornillada en la parte trasera de la campana)
- Manual de instalación
- Accesorios:
  - Filtros híbridos (3 para las campanas de 30 pulg. y de 36 pulg. de anchura, 4 para las de 42 pulg. de anchura, 5 para las de 48 pulg. y de 54 pulg. de anchura y 6 para la campana de 60 pulg. de anchura)
  - Bombillas halógenas protegidas (base de tipo GU10, 120 V, 50 W) (4 para las campanas de hasta 42 pulg. de anchura, 6 para las de 48 a 60 pulg. de anchura)
  - Bolsa con piezas:
    - 4 tornillos de cabeza plana n.º 10 de 2 pulg., 8 tornillos n.º 8 de 3/4 pulg., 4 tuercas n.º 10-32, 2 dispositivos de sujeción mural, 2 arandelas de 3/16 pulg. de diámetro interior x 3/4 pulg. de diámetro exterior

Piezas vendidas aparte:

- Ventilador interior modelo iQ6, P3 o P6 (llevan placa del ventilador y adaptador y dispositivo de cierre redondo de 8 pulg.) para instalación con tubos o sin tubos.
- Ventilador interior modelo iQ12 o P12 (llevan placa del ventilador y dispositivo de cierre redondo, vertical y en línea de 10", modelo 421) sólo para instalación con tubos.
- Conjunto de ventilador en línea modelo ILB3, ILB6, ILB9 o ILB11 (todos llevan cambio de sección y placa de ventilador) sólo para instalación con tubos.
- Conjunto de ventilador exterior modelo EB6, EB9, EB12 o EB15 (todos llevan placa de ventilador) sólo para instalación con tubos.
- Tubos, codos, dispositivos de cierre, capuchones murales y para techos. En las páginas 35 y 36 tiene una lista completa de las opciones de ventilación y los números de modelo.
- Juego para instalación sin tubos, serie ANKWP, sólo para instalación sin tubos.
- Chimenea decorativa opcional, serie AEWP.

## 4. DESMONTAJE DE LOS FILTROS Y DEL CANAL

### A. Retire la cinta de los filtros.

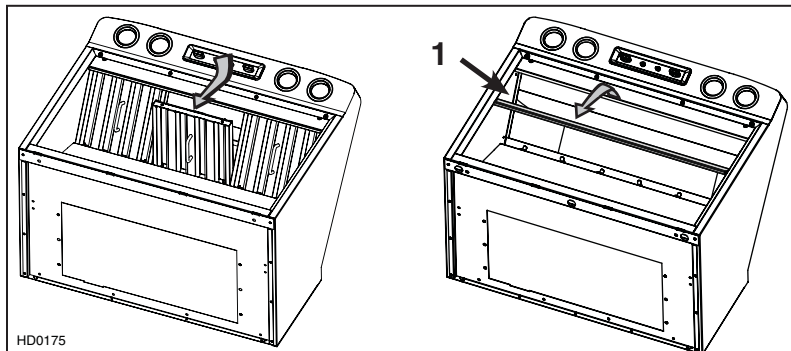
Retire los filtros de la campana y guárdelos.

NOTA: Se aconseja empezar por el del medio.

### B. Retire la cinta del canal (1).

Retire el canal de la campana y guárdelo.

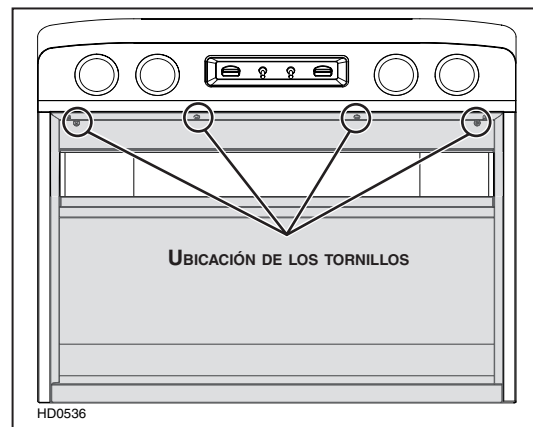
NOTA: La campana de 60 pulg. de anchura tiene 2 canales.



HD0175

## 5. DESMONTAJE DE LA PLACA

Utilice un destornillador Phillips n.º 2 o Robertson n.º 2 para quitar los tornillos que sujetan la placa a la campana (la placa es la pieza sombreada de la ilustración). Quite la placa y guárdela.



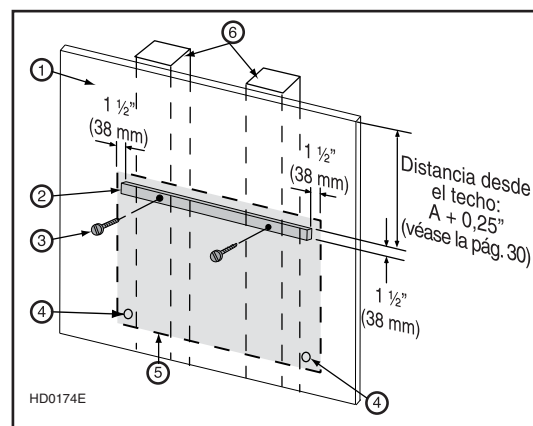
HD0536

## 6. INSTALACIÓN DE LA REGLETA DE MONTAJE

Mida y marque una línea a nivel en la pared por encima de la superficie de cocción para la regleta de montaje (véase la ilustración de la derecha y la de la etapa 2). Destornilla la regleta de montaje de la campana y tira los tornillos. Utilice los tornillos de cabeza plana n.º 10 de 2 pulg. para fijar la regleta de montaje en el panel mural. Procure fijarla a los postes murales.

### PRECAUCIÓN

**Dado el peso de esta campana, compruebe que la regleta de montaje esté sujeta a todos los postes murales disponibles (2 al menos para una campana de 30 pulg., más cuando la campana sea más ancha) y no sólo al panel mural.**



HD0174E

1. Panel mural

2. Regleta de montaje de madera

3. Tornillo de cabeza plana

4. Ubicación de los dispositivos de sujeción mural

5. Contorno de la parte trasera de la campana

6. Postes murales

## 7. INSTALACIÓN DE LA CHIMENEA

### 7.1 INSTALACIÓN CON TUBOS: CHIMENEA DECORATIVA OPCIONAL, SERIE AEW P

Para una instalación con tubos, consulte las instrucciones que vienen con la chimenea decorativa opcional.

### 7.2 INSTALACIÓN SIN TUBOS: CHIMENEA DEL JUEGO PARA INSTALACIÓN SIN TUBOS, SERIE ANKWP

Consulte la ficha de instalación que viene con el juego para la instalación sin tubos.

## 8. INSTALACIÓN DE LA CAMPANA

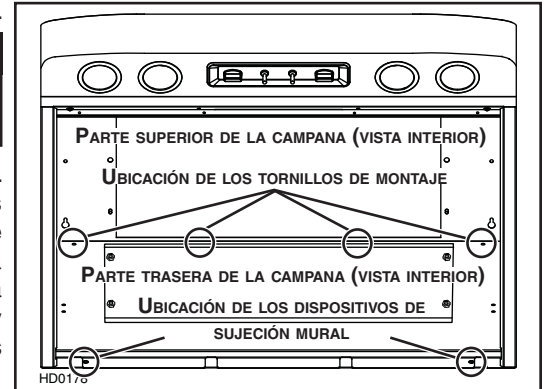
Coloque el hueco superior trasero de la campana sobre la regleta de montaje de madera.

### PRECAUCIÓN

**Sujete la campana hasta que esté totalmente asentada contra la regleta de montaje.**

Sujete la campana a la regleta de montaje colocando 4 tornillos n.º 8 de 3/4 pulg. provistos (para las campanas de 30 y 36 pulg. de ancho) o 6 tornillos (para las campanas de 42 pulg. de ancho y más) en los lugares que se muestran. Perfore 2 agujeros de 3/16 pulg. en el panel mural para los dispositivos de sujeción mural a través de los agujeros ya hechos en los lugares que se muestran en la parte trasera interior de la campana. A continuación, instale los 2 dispositivos de sujeción mural y sujete la campana a dichos dispositivos con los demás tornillos n.º 8 de 3/4 pulg. y las 2 arandelas provistas.

Para una instalación sin tubos, vaya a la etapa 11, *Instalación de la placa del ventilador en la campana*.



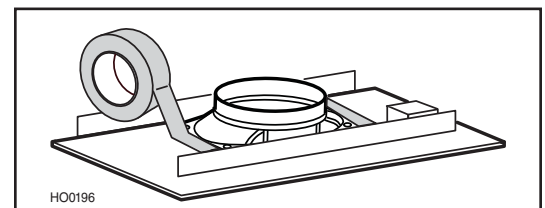
## 9. SELECCIONE LA OPCIÓN DE VENTILADOR (EXTERIOR O INTERIOR, INSTALACIÓN CON TUBOS)

VENTILADOR INTERIOR: Siga las siguientes etapas de este manual.

VENTILADOR EXTERIOR: Consulte las instrucciones que vienen con el ventilador exterior y siga las etapas 11 a 13, después 15 y posteriores de este manual.

## 10. SUJETE EL ADAPTADOR Y DISPOSITIVO DE CIERRE EN LA PLACA DEL VENTILADOR (VENTILADOR INTERIOR iQ6, P3 O P6, INSTALACIÓN CON TUBOS SOLAMENTE)

Sujete el adaptador y dispositivo de cierre redondo de 8" a la placa del ventilador iQ6, P3 o P6. Utilice cinta adhesiva para tubos metálicos para cerrar las juntas y hacerlas herméticas.





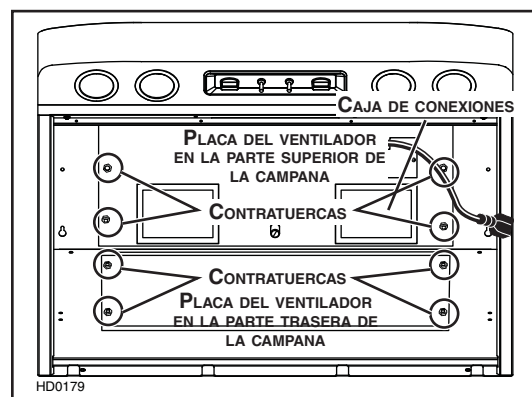
## 11. INSTALACIÓN DE LA PLACA DEL VENTILADOR EN LA CAMPANA (TODAS LAS INSTALACIONES)

### 11.1 TODAS LAS INSTALACIONES:

Lleve el cable de alimentación hasta el lugar de la instalación. Consulte las instrucciones que vienen con el ventilador o con la placa del ventilador (vendidos aparte) para ver cómo se instala la placa del ventilador. Instale la placa de manera que la caja de conexiones esté situada a la derecha cuando usted esté frente a la campana.

### 11.2 INSTALACIÓN CON TUBOS SOLAMENTE:

Para pasar el tubo por la parte trasera de la campana, quite la placa que viene con la campana por la parte interior trasera y colóquela en la parte superior interior de la campana para cubrir el hueco. Sujétela a los pernos con rosca con las mismas 4 tuercas. Para pasar el tubo por la parte superior de la campana, deje en su sitio la placa que ya viene con la campana en la parte interior trasera de la campana. Conecte el tubo al adaptador y dispositivo de cierre o a la placa del ventilador, según el modelo del ventilador, al instalar la placa. Utilice cinta adhesiva para tubos para cerrar las juntas y hacerlas herméticas.



## 12. CONEXIÓN DEL CABLEADO (TODAS LAS INSTALACIONES)

### ⚠ ADVERTENCIA

**Riesgo de choque eléctrico. La conexión eléctrica debe hacerla personal competente con arreglo a los códigos y normas en vigor. Antes de conectar los hilos, corte la alimentación en el tablero de servicio y bloquee los medios de desconexión para impedir que la corriente se conecte accidentalmente.**

Retire la tapa del cableado de la placa del ventilador y guárdela.

Conecte el hilo NEGRO con el NEGRO, el BLANCO con el BLANCO y el VERDE o desnudo con el tornillo de tierra VERDE.

Vuelva a instalar la tapa del cableado.

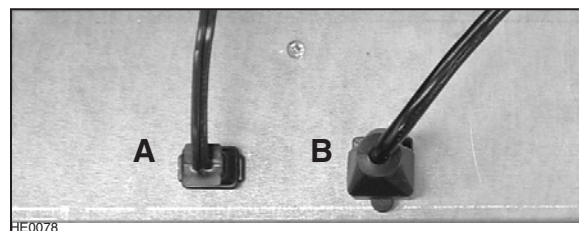
## 13. INSTALACIÓN DEL VENTILADOR (INTERIOR O EXTERIOR)

Consulte las instrucciones que vienen con el ventilador.

Una vez instalado, enchufe el cable (A) del ventilador en la toma de corriente hembra y el cable de alimentación (B) al conector macho dentro de la campana.

### ⚠ ADVERTENCIA

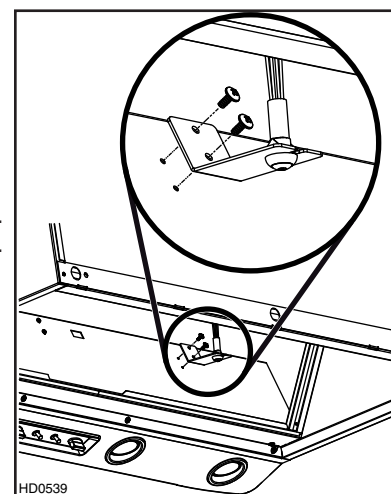
**No enchufe los dos cables uno con otro.**



## 14. INSTALE EL SOPORTE DEL BOTÓN DE CALIBRACIÓN EN LA CAMPANA (VENTILADORES INTERIORES iQ6 Y iQ12 SOLAMENTE)

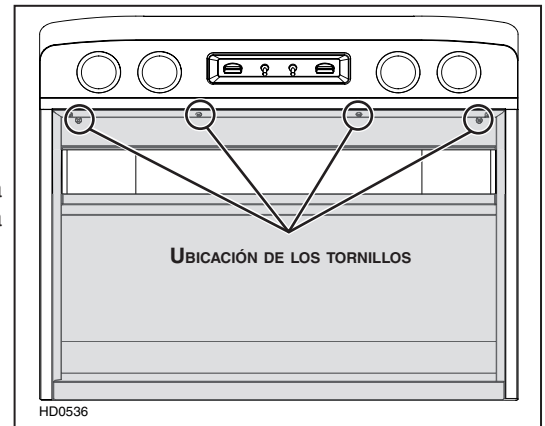
Ambos ventiladores iQ6 y iQ12 son equipados de botón de calibración ya montado en su soporte. Instale este soporte en la campana con los 2 tornillos incluidos con el ventilador interior iQ6 o iQ12.

Vease los detalles adicionales en las instrucciones incluidas con los ventiladores iQ6 y iQ12.



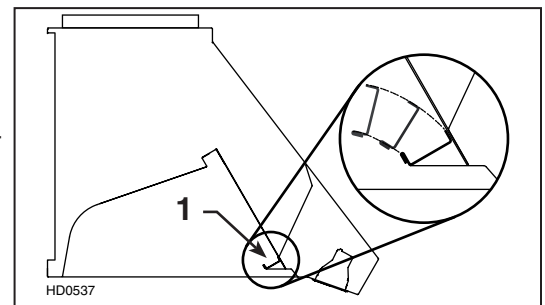
## 15. REINSTALACIÓN DE LA PLACA

Utilice un destornillador Phillips n.º 2 o Robertson n.º 2 y los tornillos para instalar la placa que quitó en la etapa 5 en el interior de la campana (pieza sombreada de la ilustración de al lado).



## 16. REINSTALACIÓN DE LOS FILTROS Y DEL (O DE LOS) CANAL(ES)

Reinstale el (o los) canal(es) (1). La imagen al lado muestra la manera de reinstalar el canal en la campana.



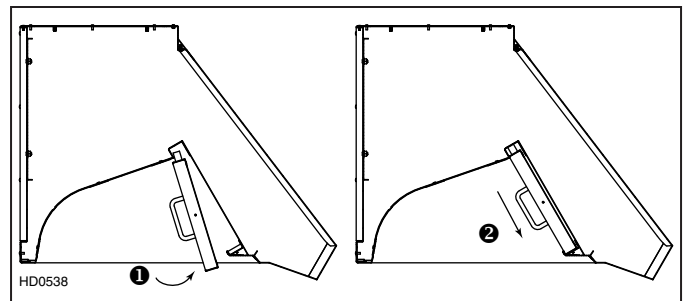
### PRECAUCIÓN

**Retire la película protectora de plástico que cubre los filtros híbridos antes de reinstalar éstos.**

Se aconseja instalar primero los filtros laterales y terminar con el filtro o los filtros centrales.

- 1 Introduzca el extremo del filtro con su clip en la acanaladura superior de la campana.
- 2 Levante el otro extremo hacia la parte interior de la campana e introdúzcalo en el canal de la campana.

Su distribuidor puede proporcionarle filtros de recambio. Vea la etiqueta dentro de la campana para informarse del tamaño y del número de la pieza.



## 17. SUSTITUCIÓN DE LAS BOMBILLAS

Esta campana debe utilizar bombillas halógenas protegidas de tipo MR16, de 120 V y 50 W con base GU10 o PAR 16 con base GU10 (incluidas).

### ⚠ ADVERTENCIA

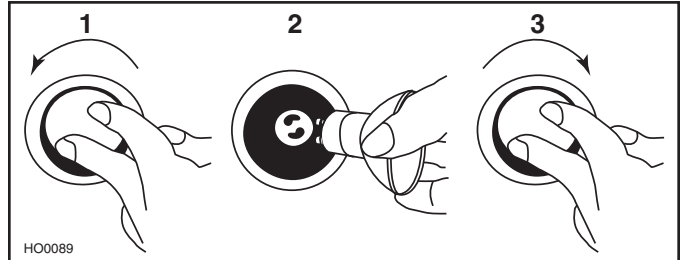
**No tocar las bombillas durante o justo después de la utilización. Pueden causar quemaduras. Para prevenir el riesgo de lesiones corporales, instale solamente bombillas halógenas protegidas. Nunca instale una bombilla dicróica o no concebida para luminarias empotradas o bombillas identificadas sólo para uso en dispositivos encerrados.**

1. Para quitar las bombillas, empuje suavemente hacia arriba y gire en sentido antihorario para liberar el casquillo de sus ranuras.

NOTA: Para facilitar la extracción de los bombillos utilice un guante de caucho o una ventosa disponible en Best. Para encargarla, telefóne al servicio de atención al cliente de Best en el 1-800-558-1711 (n.º de pieza: 99526707).

2. Instale las bombillas nuevas colocando los casquillos de las bombillas en sus ranuras, en los portalámparas.

3. Empuje suavemente hacia arriba y gire al mismo tiempo en el sentido horario hasta que queden bien afianzadas.



## 18. USO Y CUIDADO

### Filtros híbridos

Los filtros híbridos deben limpiarse con frecuencia. Utilice una disolución de detergente con agua templada. Lávelos con mayor frecuencia si su tipo de cocina genera más grasa (alimentos fritos o cocina con wok).

Retire los filtros empujándolos hacia la parte trasera de la campana y girándolos hacia abajo. Las placas de filtro pueden lavarse en el lavavajillas. Deje que los filtros sequen completamente antes de volver a instalarlos en la campana.

Limpie los filtros totalmente metálicos en el lavavajillas con un detergente sin fosfato. El filtro podría descolorarse si se utiliza un detergente con fosfato o debido al tipo de agua, pero esto no afecta su funcionamiento. Este descoloramiento no está cubierto por la garantía.

### PRECAUCIÓN

**No intente nunca lavar los filtros de carbón que vienen en el juego para la instalación sin tubos. Estos filtros deben sustituirse por otros nuevos. Para mayor información, consulte las instrucciones del juego para instalación sin tubos.**

### Limpieza del canal

El canal debe limpiarse con frecuencia. Retire el canal de la campana y utilice una disolución de detergente con agua templada. Igual que los filtros, lávelo con mayor frecuencia si su tipo de cocina genera más grasa (alimentos fritos o cocina con wok). Secar completamente el canal antes de reinstalarse en la campana.

### Limpieza del ventilador

Retire los filtros para tener acceso al ventilador. Limpie el ventilador con un aspirador. No lo sumerja en agua. Consulte el manual de instrucciones del ventilador para mayor información.

### Limpieza de la campana

Limpieza del acero inoxidable:

#### Debe hacerse:

- Limpiar regularmente las superficies con un trapo limpio humedecido con una mezcla de agua templada y jabón suave o detergente para la vajilla.
- Limpiar siempre en la dirección de las líneas originales de pulido del acero.
- Enjuagar siempre con agua limpia (2 o 3 veces) después de limpiar. Seque completamente.
- También puede utilizar un limpiador doméstico especial para acero inoxidable.

#### No debe hacerse:

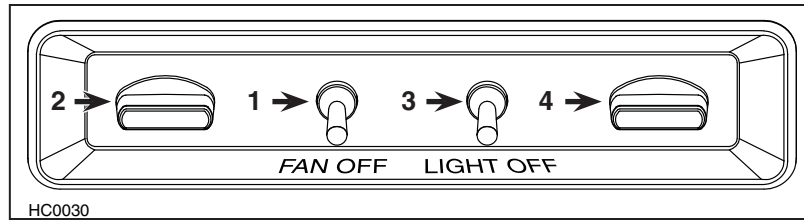
- Utilizar un estropajo de acero o acero inoxidable u otro tipo de rasquetas para quitar la suciedad resistente.
- Utilizar limpiadores fuertes o abrasivos.
- Dejar que la suciedad se acumule.
- Dejar que el polvo del yeso u otros residuos de la construcción manchen la campana. Si efectúa obras de construcción o renovación, cubra la campana para que no se manche la superficie de acero inoxidable.

#### Al escoger un detergente, evite:

- Los limpiadores que contienen **blanqueador** (lejía), ya que dañarán el acero inoxidable.
- Los productos que contengan **cloruro, fluoruro, yoduro y bromuro**, ya que deterioran las superficies rápidamente.
- Los productos combustibles que se emplean para la limpieza, como **acetona, alcohol, éter, bencol**, etc., ya que son altamente explosivos y nunca deberían estar cerca de una cocina.

## 19. FUNCIONAMIENTO

Ponga en marcha siempre la campana antes de empezar a cocinar para generar una corriente de aire en la cocina. Deje en marcha el ventilador durante unos minutos para renovar el aire una vez que haya apagado la cocina. Esto ayudará a que toda la cocina esté más limpia y despejada.



1. Interruptor de encendido y apagado del ventilador  
2. Control de velocidad del ventilador

3. Interruptor de encendido y apagado de las luces halógenas  
4. Control de intensidad de las luces

### Ventilador

El ventilador funciona con dos controles. Utilice el interruptor de encendido y apagado (n.º 1 de la ilustración) para poner en marcha el ventilador o apagarlo. Cuando lo encienda, el ventilador funcionará a la misma velocidad que estableciera por última vez con el control de velocidad (n.º 2 de la ilustración) Gire el control de velocidad en sentido antihorario para aumentar la velocidad del ventilador y en sentido horario para disminuirla.

### Termostato Heat Sentry™

La campana viene equipada con un termostato Heat Sentry™. Se trata de un dispositivo que acelera el ventilador cuando detecta un calor excesivo sobre la superficie sobre la que se cocina.

Si el ventilador está ENCENDIDO en una velocidad inferior, el termostato lo pondrá en la velocidad ALTA.

### ⚠ ADVERTENCIA

**En el caso de fuego de cocción o durante un calor excesivo, el Heat Sentry puede poner en marcha el ventilador, incluso si este está apagado. Si este es el caso, es imposible parar el ventilador con los interruptores. Si usted necesita detener el ventilador, desconecte de la campana el cordón de alimentación del ventilador (situado detrás de los filtros) tirando del conector de 2 terminales; no tire del cable.**

Cuando la temperatura baje a un nivel normal, el ventilador volverá a su velocidad original.

### Interruptor de luces halógenas

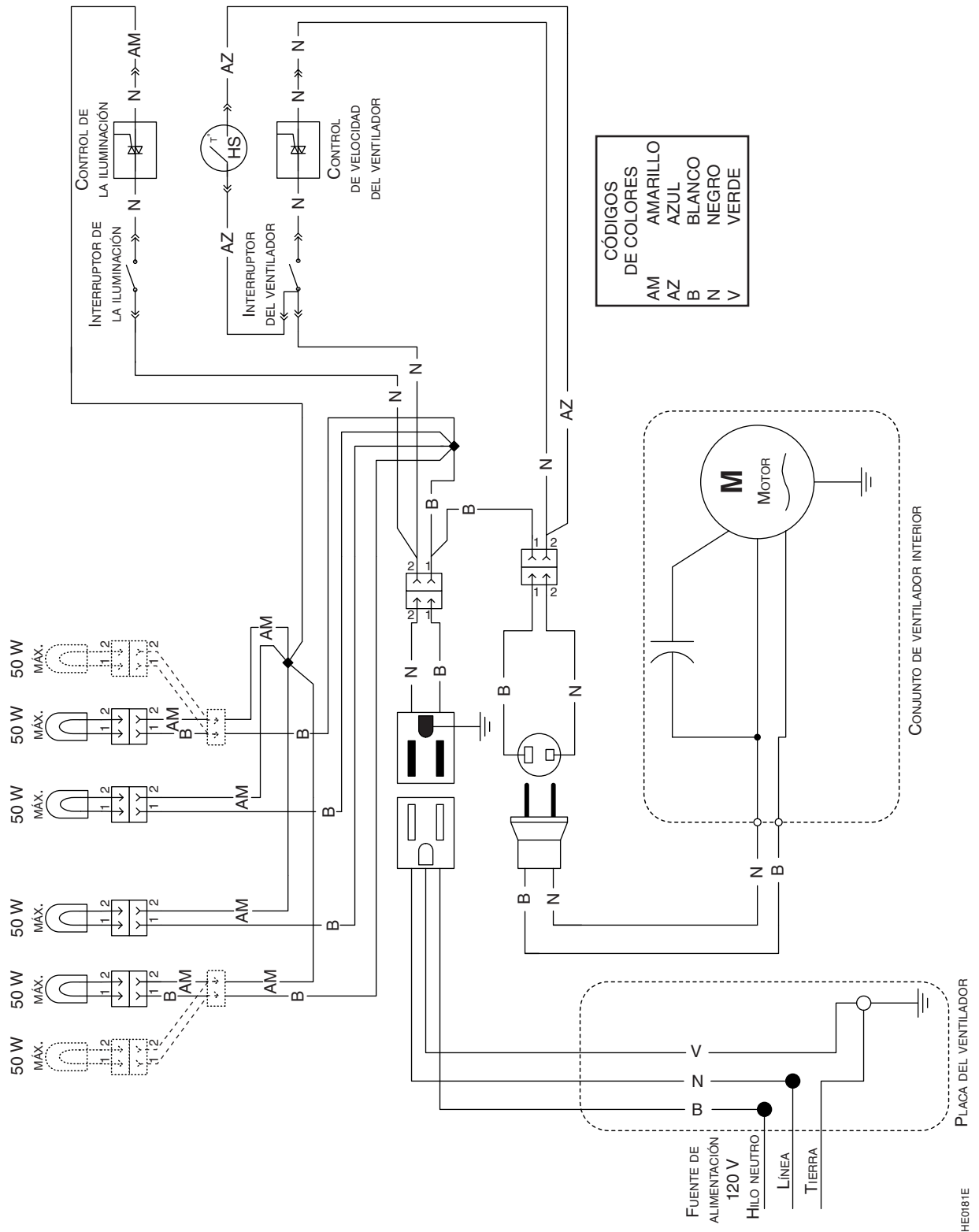
Las luces halógenas se controlan por medio de dos interruptores: el de encendido y apagado (n.º 3 de la ilustración anterior) y el de control de la intensidad de la luz. Cuando encienda las luces, funcionarán con la intensidad que estableciera por última vez con el control de intensidad (n.º 4 de la ilustración anterior).

Gire el control de intensidad en sentido antihorario para aumentar la intensidad de la luz y en sentido horario para disminuirla.

Utilice bombillas halógenas protegidas de tipo MR16, de 120 V y 50 W o PAR 16 con base GU10 (incluidas).

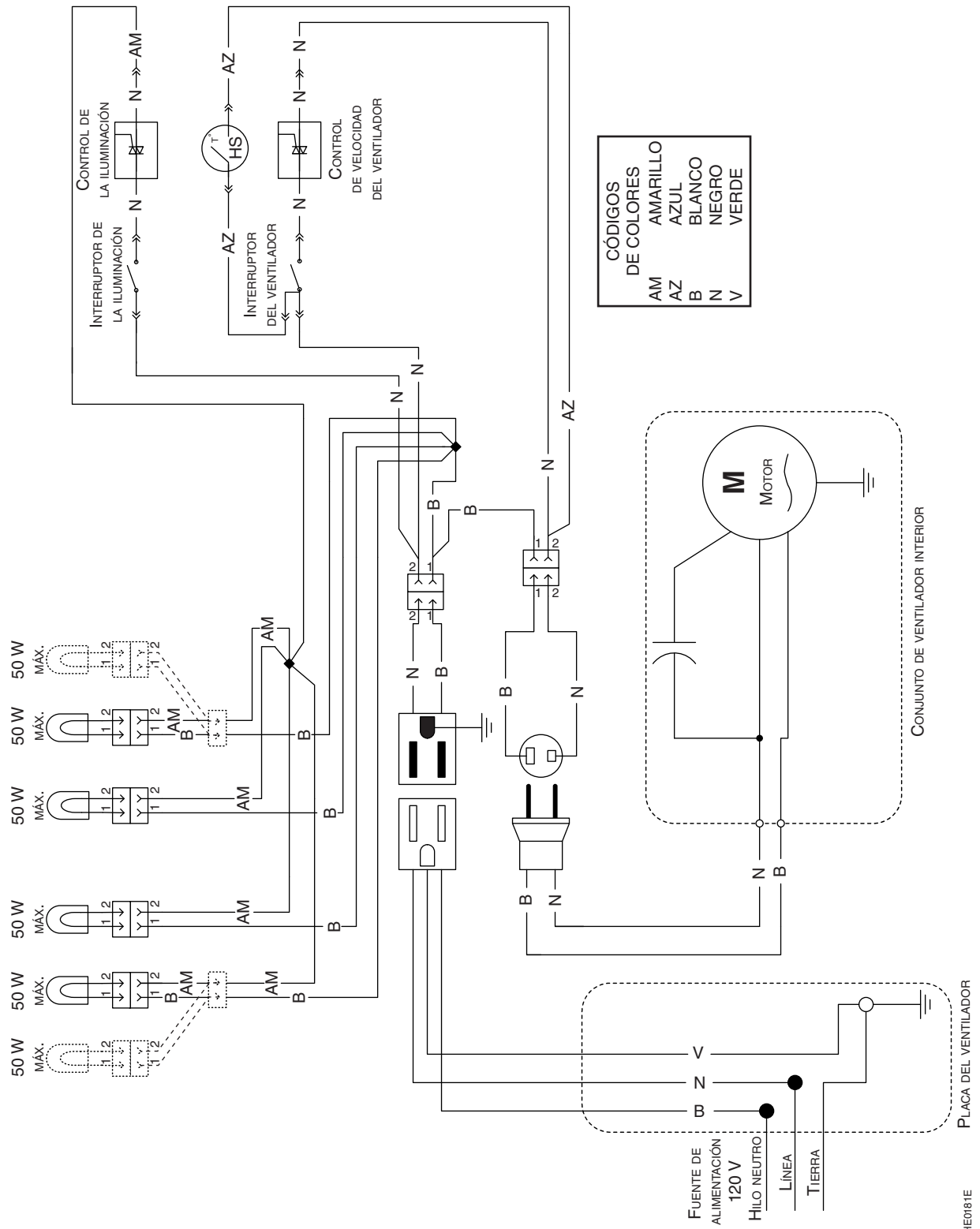
# 20. DIAGRAMAS ELÉCTRICOS

## VENTILADOR INTERIOR



# 20. DIAGRAMAS ELÉCTRICOS (CONTINUACIÓN)

## VENTILADOR EXTERIOR O EN LÍNEA



HE0181E

## 21. GARANTÍA

### GARANTÍA LIMITADA DE UN AÑO DE LOS PRODUCTOS BEST

Broan-NuTone LLC (Broan-NuTone) garantiza al consumidor comprador original de Best productos que dichos productos carecerán de defectos en materiales o en mano de obra por un período de un año a partir de la fecha original de compra. NO EXISTEN OTRAS GARANTÍAS, EXPRESAS O IMPLÍCITAS, INCLUYENDO, PERO NO LIMITADAS A, GARANTÍAS IMPLÍCITAS DE COMERCIALIZACIÓN O ACTITUD PARA UN PROPOSITO PARTICULAR.

Durante el período de un año, y a su propio criterio, Broan-NuTone reparará o reemplazará, sin costo todo producto o pieza que se encuentre defectuosa bajo condiciones normales de servicio y uso.

ESTA GARANTÍA NO SE APLICA A LOS CEBADORES, TUBOS, BOMBILLAS HALÓGENAS Y INCANDESCENTES, A LOS FUSIBLES, FILTROS, TUBOS, CAPUCHONES PARA TEJADOS, CAPUCHONES MURALES Y OTROS ACCESORIOS DE CANALIZACIÓN

Esta garantía no cubre (a) mantenimiento y servicios normales o (b) cualquier productos o piezas que hayan sido mantenidas o reparadas inapropiadamente (por otras compañías que sea Broan-NuTone), instalación defectuosa, o instalación no conforme a las instrucciones de instalación recomendadas.

La duración de cualquier garantía implícita se limita a un periodo de un año como se especifica en la garantía expresa. Algunos estados o provincias no permiten limitaciones en cuanto al tiempo de expiración de una garantía implícita, por lo que la limitación antes mencionada puede no aplicarse a usted.

**LA OBLIGACIÓN DE BROAN-NUTONE DE REPARAR O REEMPLAZAR, SIGUIENDO EL CRITERIO DE BROAN-NUTONE DEBERÁ SER EL ÚNICO Y EXCLUSIVO RECURSO LEGAL DEL COMPRADOR BAJO ESTA GARANTÍA. BROAN-NUTONE NO SERÁ RESPONSABLE POR DAÑOS ACCIDENTALES, CONSIGUIENTES, O POR DAÑOS ESPÉCIALES SURGIDOS O EN CONEXIÓN CON EL USO O EL RENDIMIENTO DEL PRODUCTO. Algunos estados o provincias no permiten la exclusión o limitación de daños accidentales o consiguientes, por lo que la limitación antes mencionada puede no aplicarse a usted.**

Esta garantía le proporciona derechos legales específicos, y usted puede también tener otros derechos, los cuales varían de estado a estado o de provincia a provincia. Esta garantía reemplaza todas las garantías anteriores.

Para calificar en el servicio de garantía, usted debe (a) notificar a Broan-NuTone a la dirección o teléfono que se menciona abajo, (b) dar el número del modelo y la identificación de la pieza y (c) describir la naturaleza de cualquier defecto en el producto o pieza. En el momento de solicitar servicio cubierto por la garantía, usted debe presentar evidencia de la fecha original de la compra.

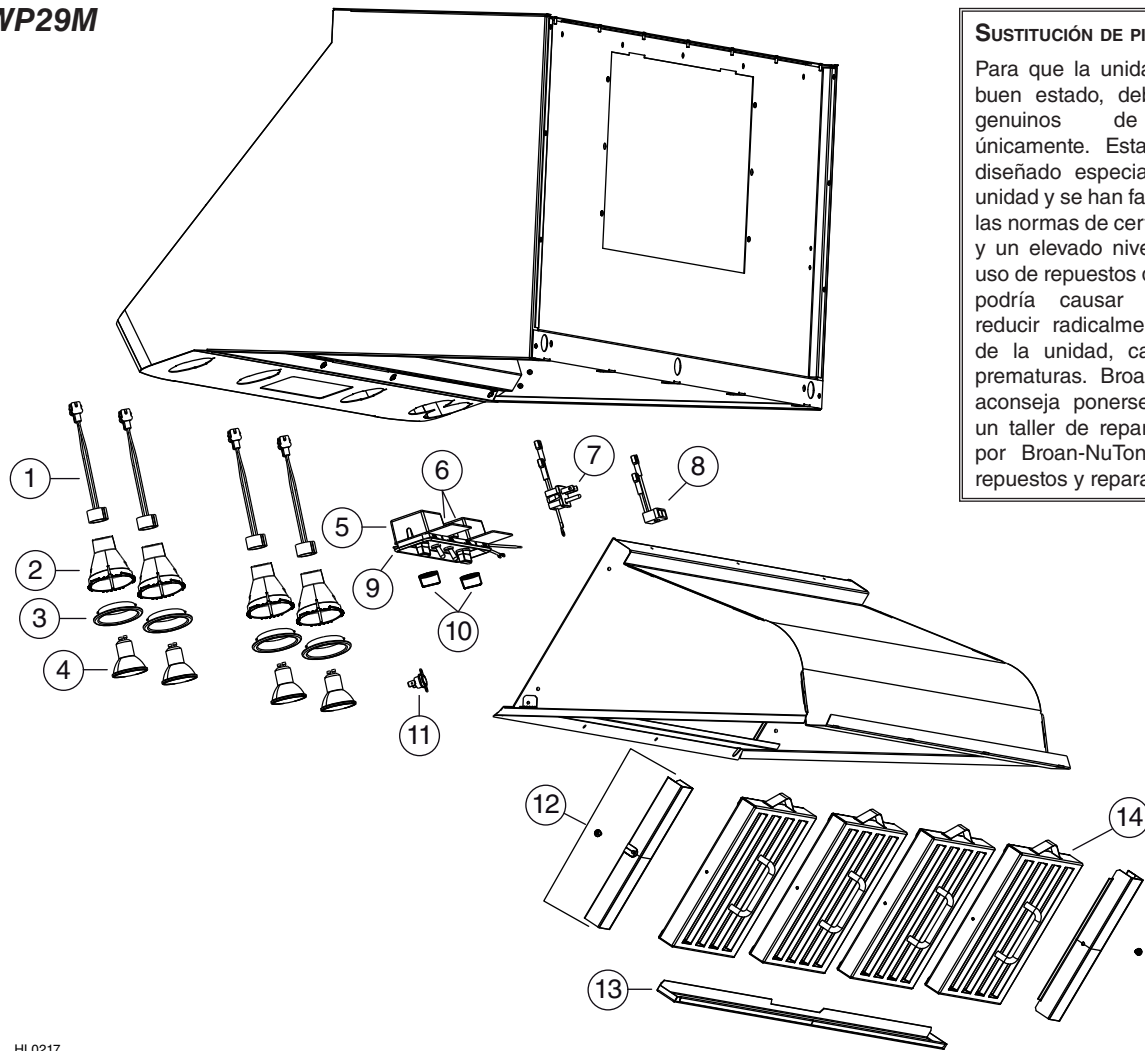
**En los Estados Unidos - Best®**, 926 W. State Street, Hartford, WI 53027 (800-558-1711)

**En Canadá - Best®**, 550 boul. Lemire, Drummondville, (Québec), Canada J2C 7W9 (866-737-7770)

[www.BestRangeHoods.com](http://www.BestRangeHoods.com)

## 22. PIEZAS

### Serie WP29M



#### SUSTITUCIÓN DE PIEZAS Y REPARACIÓN

Para que la unidad se conserve en buen estado, debe usar repuestos genuinos de Broan-NuTone únicamente. Estas piezas se han diseñado especialmente para cada unidad y se han fabricado conforme a las normas de certificación aplicables y un elevado nivel de seguridad. El uso de repuestos de otros fabricantes podría causar daños graves y reducir radicalmente el desempeño de la unidad, causando así fallas prematuras. Broan-NuTone también aconseja ponerse en contacto con un taller de reparación homologado por Broan-NuTone para todos los repuestos y reparaciones.

HL0217

N.º REF.	N.º DE PIEZA	DESCRIPCIÓN	CANTIDAD (ANCHURA DE LA CAMPANA)					
			30"	36"	42"	48"	54"	60"
1	SV05917	CASQUILLO GU10	4	4	4	6	6	6
2	SV09435	SOPORTE DEL CASQUILLO GU10	4	4	4	6	6	6
3	SV09434	ANILLO ORNAMENTAL ACERO INOXIDABLE	4	4	4	6	6	6
4	SV05921	BOMBILLAS HALÓGENAS PROTEGIDAS DE TIPO (50 W, 120 V, PAR 16, GU-10)	4	4	4	6	6	6
5	SV03501	CONTROL GIRATORIO	2	2	2	2	2	2
6	SV07689	INTERRUPTOR DE PALANCA	2	2	2	2	2	2
7	SV13924	CONNECTADOR MACHO	1	1	1	1	1	1
8	SV13923	CONNECTADOR HEMBRA	1	1	1	1	1	1
9	SV16966	ESTRUCTURA DE PLÁSTICO DE LOS CONTROLES Y CONJUNTO DE BOTONES	1	1	1	1	1	1
10	SV07688	BOTÓN	2	2	2	2	2	2
11	SV03435	HEAT SENTRY™	1	1	1	1	1	1
12	SV61691	SEPARADOR DE LOS FILTROS Y TORNILLO (PAR)	-	-	1	-	-	-
13	SV61932	CANAL 30 PULG.	1	-	-	-	-	2
	SV61933	CANAL 36 PULG.	-	1	-	-	-	-
	SV61934	CANAL 42 PULG.	-	-	1	-	-	-
	SV61935	CANAL 48 PULG.	-	-	-	1	1	-
14	SV61639	PLACA DEL FILTRO HÍBRIDO 8.84" x 8.61" x 1"	3	1	4	5	5	6
	SV61640	PLACA DEL FILTRO HÍBRIDO 11.84" x 8.61" x 1"	-	2	-	-	-	-
*	SV07693	MANUAL DE INSTALACIÓN	1	1	1	1	1	1
*	SV12971	BOLSA CON PIEZAS PARA LA INSTALACIÓN (4 TORNILLOS N.º 10 DE 2" DE CABEZA PLANA, 8 TORNILLOS N.º 8 DE 3/4", 4 TUERCAS N.º 10-32, 2 DISPOSITIVOS DE SUJECIÓN MURAL, 2 ARANDELAS DE 3/16" DI x 3/4" DE)	1	1	1	1	1	1
*	SV05869	LOGOTIPO BEST	1	1	1	1	1	1

\* No se muestra.

