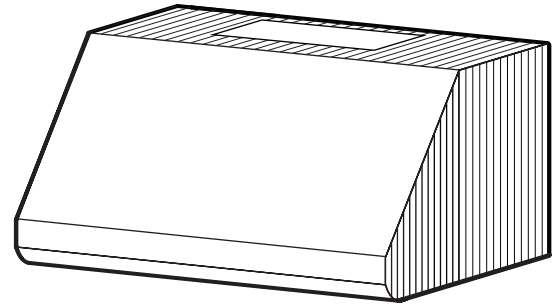


WPD39M SERIES RANGE HOOD



Especially designed to be installed outdoors in a covered patio or lanai area. For use over residential commercial-style cooking surfaces or gas and electric grills. This unit is not for use with a charcoal grill. A complete installation requires several optional components. Refer to page 2 when planning your installation.

FEATURES

- Professional outdoor design.
- 30-inch depth handles heat and size of large outdoor grills (optional 3" wall extension to increase depth to 33").
- Brushed corrosion resistant 304 Stainless Steel.
- Three widths: 36, 48, and 60 inches.
- Bright halogen lighting (2 x 50 watt GU10 for 36-in. hood, 3 x 50 watt GU10 for 48-in. & 60-in. hoods) (bulbs included).
- Variable-speed rotary control with separate ON/OFF - for last setting memory - tested to assure operation in corrosive environments.
- 304 Stainless Steel baffle filters - easily accessible and dishwasher-safe.
- Removable grease tray.
- Grease rail and tray feature non-stick coating for ease of cleaning.
- Designed for use with interior blower Model P12 (1200 CFM), in-line blower Model ILB11, or exterior blower Models EB12 or EB15. (All blowers - purchased separately.)
- Heat Sentry™ detects excessive heat and adjusts blower speed automatically to prevent damaging effects of high heat.
- UL Listed for use in damp locations when properly connected to a GFCI circuit.

SPECIFICATIONS

VOLTS	HZ	AMPS	DUCT
120	60	1.4 (without blower)	10-in. ROUND



WALL EXTENSION (optional)

- Extends front of hood out an extra 3" (to 33") - eliminates custom wall bump-outs.
- Stainless Steel construction - matches range hood.
- Attaches to wall and back of range hood.

Model AWWPD336SB - 36-in. width

Model AWWPD348SB - 48-in. width

Model AWWPD360SB - 60-in. width

FLUE COVER (optional)

- Stainless Steel construction - matches range hood.
- Attaches to top of range hood shell.
- Hides ducting and wipes clean easily.
- Extended depth available for hoods using the 3" wall extension.

Model AEWPD36SB - 6-in. high - for 8-ft. ceiling - standard depth

Model AEWPD36SBE - 6-in. high - for 8-ft. ceiling - extended depth

Model AEWPD318SB - 18-in. high - for 9-ft. ceiling - standard depth

Model AEWPD318SBE - 18-in. high - for 9-ft. ceiling - extended depth

Model AEWPD330SB - 30-in. high - for 10-ft. ceiling - standard depth

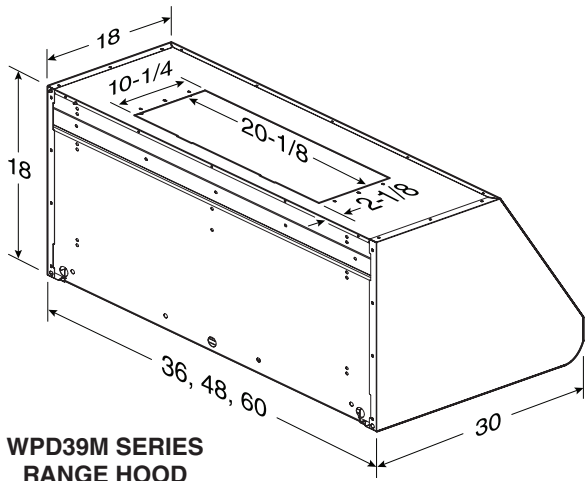
Model AEWPD330SBE - 30-in. high - for 10-ft. ceiling - extended depth

BACKSPLASH (optional)

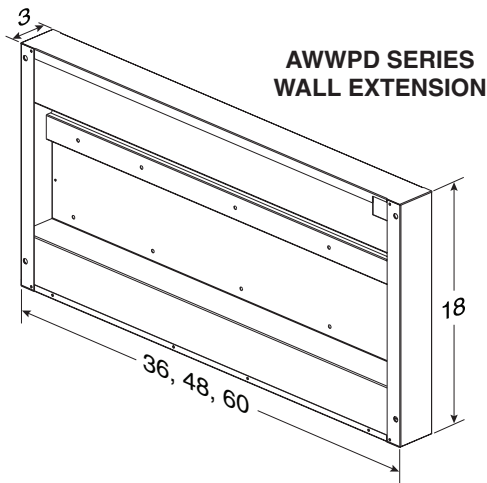
- Model ABWPD for 36" or 48" wide hood

BEST® Hartford, Wisconsin www.BestRangeHoods.com 800-558-1711
 BEST® Drummondville, QC, Canada www.BestRangeHoods.com 866-737-7770

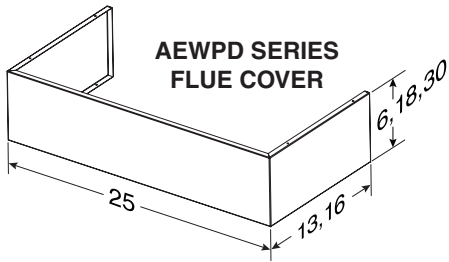
REFERENCE	QTY.	REMARKS	Project	
			Location	
			Architect	
			Engineer	
			Contractor	
			Submitted by	Date



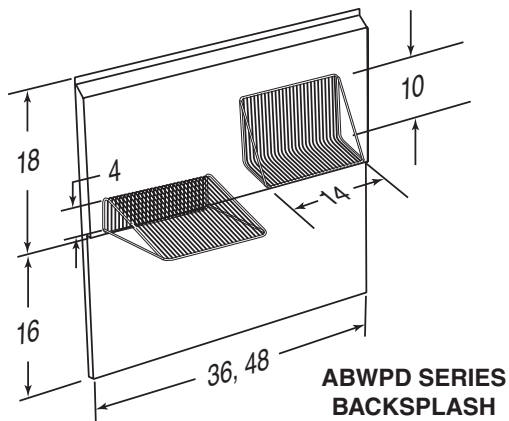
WPD39M SERIES RANGE HOOD



AWWPD SERIES WALL EXTENSION



AEWPD SERIES FLUE COVER



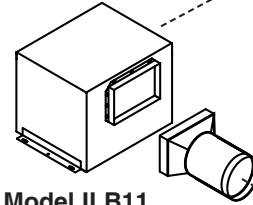
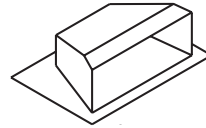
ABWPD SERIES BACKSPASH

WPD39M SERIES HOOD SYSTEM

Model 441
10" ROUND WALL CAP



Model 437
HIGH CAPACITY ROOF CAP



Model ILB11
(1100 CFM)
IN-LINE BLOWER
(includes two 8" x 12" to 10" round transitions and rough-in kit) (sold separately)



Model EB12
(1200 cfm) or
Model EB15
(1500 cfm)
EXTERIOR BLOWER
(includes rough-in kit) (sold separately)

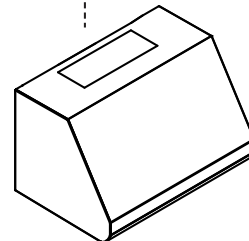
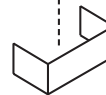


Model 418
10" ROUND ADJUSTABLE ELBOW
(Optional)

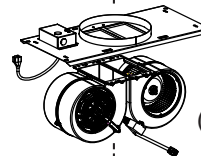


Model 410
10" ROUND DUCT
(2 ft. sections)

AEWPD Series DECORATIVE FLUE
(Optional)



WPD39M Series RANGE HOOD



Model P12
(1200 cfm)
INTERIOR BLOWER
(sold separately)

ABWPD Series BACKSPASH

