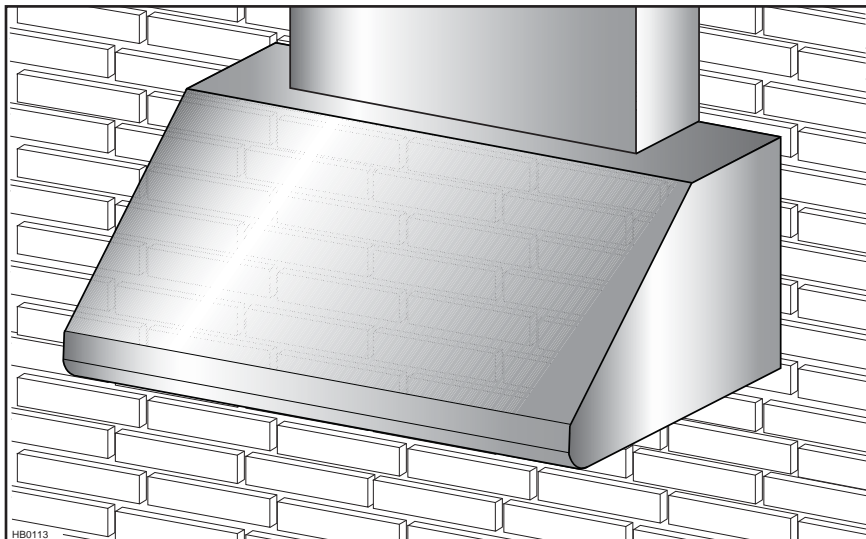


# INSTALLATION INSTRUCTIONS

# best®



HB0113

## WPD38I SERIES

SUITABLE FOR USE IN DAMP LOCATIONS WHEN INSTALLED IN A  
GFCI PROTECTED BRANCH-CIRCUIT.

INTENDED FOR OUTDOOR COVERED PATIO OR LANAI AREA.

**⚠ INTENDED FOR DOMESTIC COOKING ONLY ⚠**

**READ AND SAVE THESE INSTRUCTIONS**

INSTALLER: LEAVE THIS MANUAL WITH HOMEOWNER.

HOMEOWNER: USE AND CARE INFORMATION ON PAGES 9 AND 10.

BEST; Hartford, Wisconsin [www.BestRangeHoods.com](http://www.BestRangeHoods.com) 800-558-1711

BEST; Drummondville, QC, Canada [www.BestRangeHoods.com](http://www.BestRangeHoods.com) 866-737-7770

To register your product online or for additional information  
visit [www.BestRangeHoods.com](http://www.BestRangeHoods.com)



7 72371 11894 2

SV20569 rev. 04

## **⚠ WARNING**

### **TO REDUCE THE RISK OF FIRE, ELECTRIC SHOCK OR INJURY TO PERSONS, OBSERVE THE FOLLOWING:**

1. Use this unit only in the manner intended by the manufacturer. If you have questions, contact the manufacturer at the address or telephone number listed in the warranty.
2. Before servicing or cleaning unit, switch power off at service panel and lock service disconnecting means to prevent power from being switched on accidentally. When the service disconnecting means cannot be locked, securely fasten a prominent warning device, such as a tag, to the service panel.
3. Installation work and electrical wiring must be done by qualified personnel in accordance with all applicable codes and standards, including fire-rated construction codes and standards.
4. Sufficient air is needed for proper combustion and exhausting of gases through the flue (chimney) of fuel burning equipment to prevent backdrafting. Follow the heating equipment manufacturer's guidelines and safety standards such as those published by the National Fire Protection Association (NFPA) and the American Society for Heating, Refrigeration and Air Conditioning Engineers (ASHRAE) and the local code authorities.
5. When cutting or drilling into wall or ceiling, do not damage electrical wiring and other hidden utilities.
6. Ducted fans must always be vented to the outdoors.
7. Do not use this unit with any additional solid-state speed control device.
8. To reduce the risk of fire, use only metal ductwork.
9. This unit must be grounded and protected by a GFCI.
10. Suitable for use in damp locations only when installed in a GFCI PROTECTED branch-circuit.
11. This unit is not designed to be used with a charcoal grill.
12. When applicable local regulations comprise more restrictive installation and/or certification requirements, the aforementioned requirements prevail on those of this document and the installer agrees to conform to these at his own expenses.

### **TO REDUCE THE RISK OF A RANGE TOP GREASE FIRE:**

- a) Never leave surface units unattended at high settings. Boilovers cause smoking and greasy spillovers that may ignite. Heat oils slowly on low or medium settings.
- b) Always turn hood ON when cooking at high heat or when flambeing food (i.e.: Crêpes Suzette, Cherries Jubilee, Peppercorn Beef Flambé).
- c) Clean ventilating fans frequently. Grease should not be allowed to accumulate on fan, filters or in exhaust ducts.
- d) Use proper pan size. Always use cookware appropriate for the size of the surface element.

## **⚠ WARNING**

### **TO REDUCE THE RISK OF INJURY TO PERSONS IN THE EVENT OF A RANGE TOP GREASE FIRE, OBSERVE THE FOLLOWING\*:**

1. SMOTHER FLAMES with a close-fitting lid, cookie sheet or metal tray, then turn off the burner. BE CAREFUL TO PREVENT BURNS. IF THE FLAMES DO NOT GO OUT IMMEDIATELY, EVACUATE AND CALL THE FIRE DEPARTMENT.
2. NEVER PICK UP A FLAMING PAN — You may be burned.
3. DO NOT USE WATER, including wet dishcloths or towels — This could cause a violent steam explosion.
4. Use an extinguisher ONLY if:
  - A. You own a Class ABC extinguisher and you know how to operate it.
  - B. The fire is small and contained in the area where it started.
  - C. The fire department has been called.
  - D. You can fight the fire with your back to an exit.

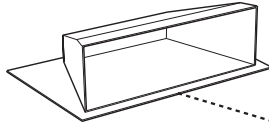
\* Based on "Kitchen Fire Safety Tips" published by NFPA.

## **CAUTION**

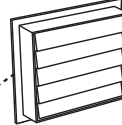
1. For general ventilating use only. Do not use to exhaust hazardous or explosive materials and vapors.
2. To avoid motor bearing damage and noisy and/or unbalanced impellers, keep drywall spray, construction dust, etc. off power unit.
3. Your hood motor has a thermal overload which will automatically shut off the motor if it becomes overheated. The motor will restart when it cools down. If the motor continues to shut off and restart, have the hood serviced.
4. For best capture of cooking impurities, the bottom of the hood must be located at a minimum distance of 36" above cooking surface.
5. Two installers are recommended because of the large size and weight of this hood.
6. To reduce the risk of fire and to properly exhaust air, be sure to duct air outside — Do not exhaust air into spaces within walls or ceiling or into attics, crawl space or garage.
7. This product is equipped with a thermostat which may start blower automatically. To reduce the risk of injury and to prevent power from being switched on accidentally, switch power off at service panel and lock or tag service panel.
8. Please read specification label on product for further information and requirements.

# - WPD381 SERIES RANGE HOOD SYSTEM -

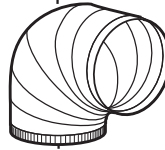
MODEL 437  
(HIGH CAPACITY ROOF CAP)



MODEL 441  
(10" ROUND WALL CAP)



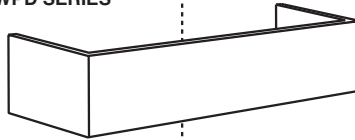
MODEL 418  
(10" ROUND  
ADJUSTABLE ELBOW,  
OPTIONAL)



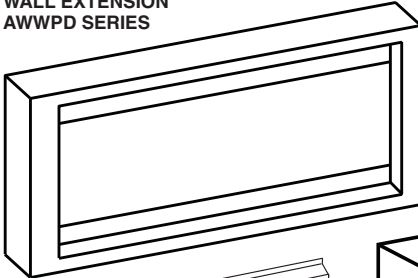
MODEL 410  
(10" ROUND DUCT  
— 2 FT. SECTIONS)



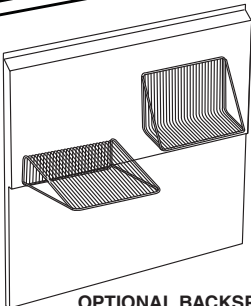
OPTIONAL  
DECORATIVE FLUE  
AEWPD SERIES



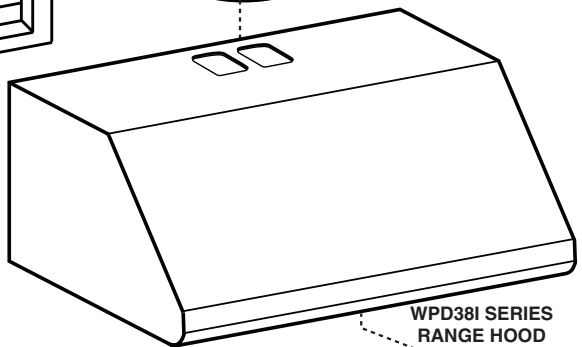
OPTIONAL  
WALL EXTENSION  
AWWPD SERIES



10" ROUND ADAPTER  
(INCLUDED)

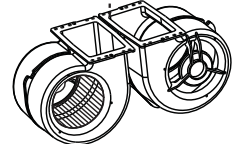


OPTIONAL BACKSPLASH  
(ABWPD SERIES)  
(STAINLESS STEEL WALL COVERING  
WITH WARMING SHELVES)  
36", 42" OR 48" WIDTHS



WPD381 SERIES  
RANGE HOOD

DUAL BLOWER  
(INCLUDED)



# 1. INSTALL DUCTWORK AND ELECTRICAL WIRING

## CAUTION

This range hood is intended for outdoor covered patio or lanai area. As with all electric appliances, this unit must be protected from the effects of weather.

## WARNING

This range hood is not designed for use with a charcoal grill.

Plan where and how the ductwork will be installed.

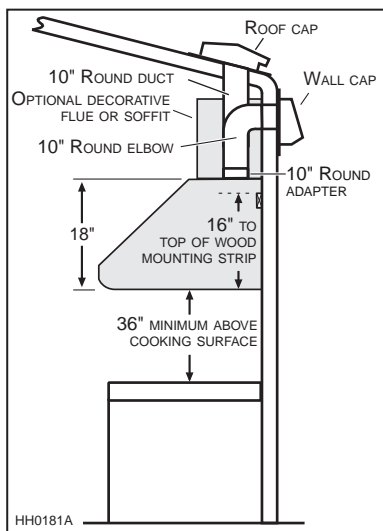
A straight, short duct run will allow the hood to perform most efficiently.

Install proper-sized ductwork, elbows and roof or wall cap. Connect metal ductwork to cap and work back towards the hood location. Use 2" metal foil duct tape to seal duct joints. Run 3-wire power supply cable to installation location.

## WARNING

The power cable must be a GFCI protected branch circuit.

For best capture of cooking impurities, the bottom of the hood must be located at a minimum distance of 36" above cooking surface.



# 2. PREPARE INSTALLATION

## WARNING

When performing installation, servicing or cleaning the unit, it is recommended to wear safety glasses and gloves.

NOTE: Before proceeding to the installation, check the contents of the box. If items are missing or damaged, contact the manufacturer.

Make sure that the following items are included:

- Range hood
- Wood strip (attached to back of hood)
- Installation manual
- Accessories including:
  - Baffle filter with handles: 3 for 36" width hood, 4 for 42" and 48" width hoods and or 5 for 60" width hood
  - Shielded halogen bulbs (120 V, 50 W, MR16 with GU10 base) (2 for 36" and 42" width hoods, 3 for 48" and 60" width hoods)
  - 10" round adapter (taped inside the hood)
  - Bag of parts: 3 waterproof wire connectors, 2 no. 8 x 5/8" screws, 6 no. 10 x 2" hex head screws, 4 no. 10 x 2" flat head screws, 2 wall anchors, 2 washers 3/16" ID x 3/4" OD Included in parts bag, but not to be used (please discard): 2 wire clamps LP16-AP, 2 no. 8 x 3/8" zinc-plated screws, 8 no. 8 x 3/8" stainless steel screws, 4 stainless steel 10-32 locknuts, 4 washers 3/16" ID x 3/4" OD

## 2. PREPARE INSTALLATION (CONT'D)

Parts sold separately:

- ABWPD Series Backsplash, 36", 42" or 48" width (optional)
- AEWPD Series Decorative Flue, to be installed over the hood (optional)
- AWWPD Series Wall Extension, 36", 42", 48 or 60" width (optional)
- Transitions, duct, elbows, dampers, wall and roof caps.

Refer to pages 3 for a complete list of venting options and model numbers.

NOTE: During installation, protect countertop and/or cooktop.

## 3. INSTALL BACKSPLASH (OPTIONAL)

**ABWPD Series (for 36", 42" and 48" widths range hoods only)**

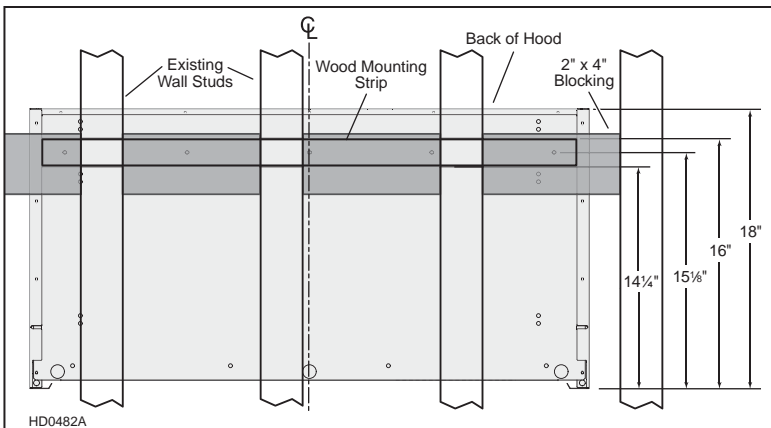
Backsplash must be installed before the hood shell and wall extension (if needed) because the hood shell (and wall extension) covers the backsplash top mounting screws (see instructions packed with backsplash).

## 4. INSTALL WOOD MOUNTING STRIP

### CAUTION

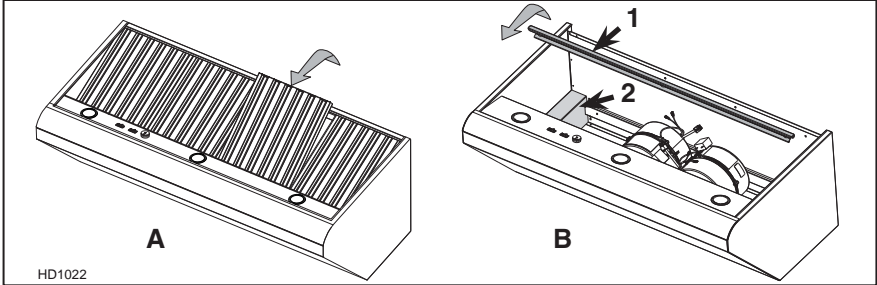
**Due to the weight of this hood, ensure that the wood strip is attached to all of the available studs and blocking; not into the wall alone.**

1. Proper structural support is required to accommodate the weight of the hood. Construct the wall framing using minimum 2" x 4" lumber.
2. Mark the center location of the hood.
3. Measure and mark a level line on wall above cooktop location for the wood mounting strip (see illustration on page 4). Install 2" x 4" blockings between wall studs where mounting strip will be installed. Refer to illustration below.
4. Remove wood mounting strip from back of hood.
5. Position the wood mounting strip on the wall and secure to the wall studs and blockings using 4 no. 10 x 2" flat head screws (included in parts bag).



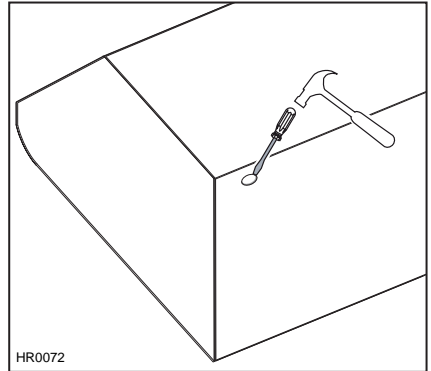
## 5. REMOVE BAFFLE FILTERS, GREASE DRIP RAIL AND ELECTRICAL COMPARTMENT COVER

- A.** Remove tape on filters.  
Remove filters from hood and set aside.  
NOTE: It is recommended to start with the center one(s).
- B.** Remove tape on grease drip rail (1). Lift out grease drip rail and set aside.  
Remove electrical compartment cover (2).



## 6. REMOVE KNOCKOUT OPENING

Punch out the electrical knockout hole on the back of the hood. Install the wire clamp (included in parts bag).



## 7. INSTALL ADAPTER

Remove adapter from inside hood.  
Using both no. 8 x 3/8" zinc-plated screws from parts bag, assemble the adapter on the top of the hood.  
Seal all joints with metal foil duct tape to eliminate air leaks.



## 8. INSTALL WALL EXTENSION (OPTIONAL)

### AWWPD Series

Wall extension must be installed before the hood (see instructions packed with wall extension).

## 9. INSTALL HOOD

### CAUTION

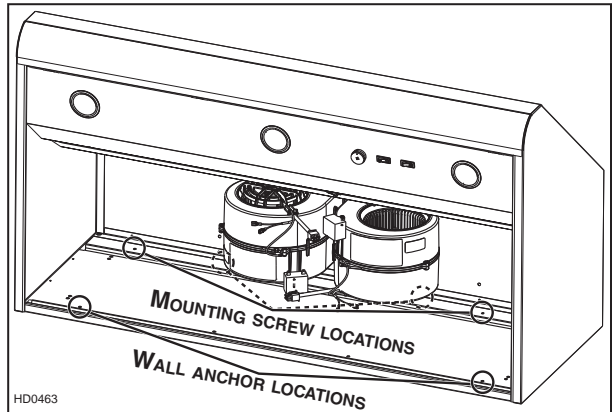
- Although not recommended, if blowers need to be removed, reinstall them using 10-32 locknuts included in parts bag (maximum torque of 20 lb.).
- Hold the hood until it is completely secured to the wood mounting strip.

Insert the house wiring in the hood through the wire clamp (previously installed in step 6) and tighten the wire clamp to secure the wiring.

Rest the back cavity of the hood on the wood mounting strip.

Attach 10" round duct to adapter.

Secure the hood to wood mounting strip using 4 no. 10 x 2" hex head screws (for 36" width hood) or 6 screws (for 42", 48" and 60" width hoods) at locations shown at right. Drill two 3/16" diameter holes into the wall for wall anchors through the existing holes in the lower back of the hood at locations shown at right. Then, install both wall anchors with both no. 8 x 5/8" screws and both washers provided.



## 10. INSTALL DECORATIVE FLUE (OPTIONAL)

### AEWPD Series

Refer to the instructions included with the optional decorative flue.

## 11. CONNECT WIRING

### ⚠ WARNING

**Risk of electric shock. Electrical wiring must be done by qualified personnel in accordance with all applicable codes and standards. Before connecting wires, switch power off at service panel and lock service disconnecting means to prevent power to be switched on accidentally.**

#### WATERPROOF WIRE CONNECTORS INSTRUCTIONS:

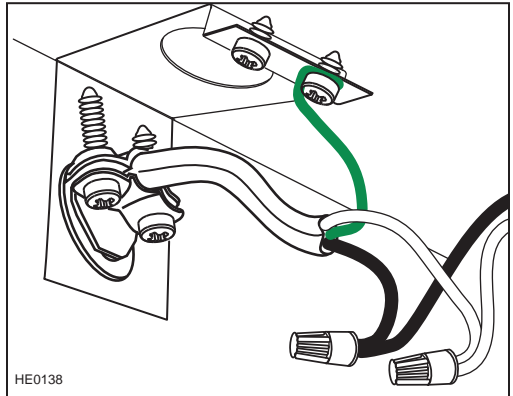
1. Strip wires 3/8".
2. Align frayed strands or conductors.
3. Do not pre-twist. Place stripped wires together with ends even, but lead smaller stranded wires slightly ahead of larger solid or stranded wire.
4. Twist connector onto wires pushing firmly until hand-tight. DO NOT over torque.
5. When inserting wires into connectors, some sealant may leak out. Wipe off excess sealant in and around conductors. DO NOT REUSE.

## 11. CONNECT WIRING (CONT'D)

Connect cable into electrical compartment using provided waterproof wire connectors.

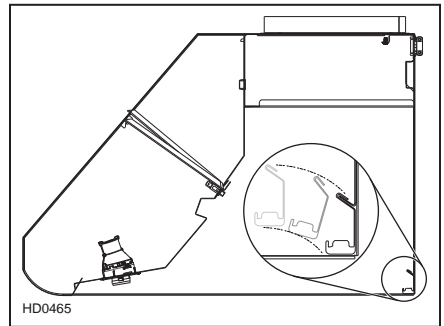
Connect BLACK to BLACK, WHITE to WHITE and GREEN or bare wire under GREEN ground screw.

Reinstall electrical compartment cover.



## 12. REINSTALL GREASE DRIP RAIL AND BAFFLE FILTERS

Reinstall grease drip rail. The illustration at right shows how to reinsert the grease drip rail into the range hood.

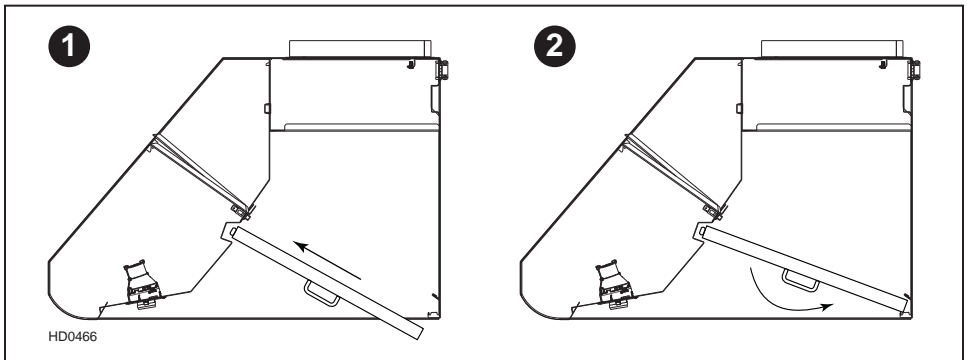


### CAUTION

**Remove protective plastic film covering filters before installing them.**

It is recommended to install side filters first and finish with center one(s).

- 1 Insert front end of the filter into the upper channel of the hood.
- 2 Raise the other end toward the inside of hood and insert in the grease drip rail of the hood.





## 13. LIGHT BULBS REPLACEMENT

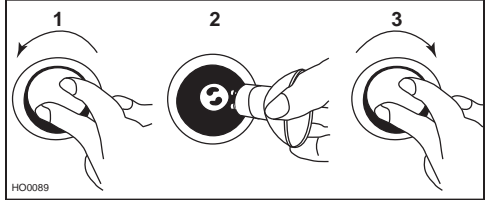
This range hood requires shielded halogen bulbs (120 V, 50 W, MR16 with GU10 base) included (2 for 36" and 42" width hoods, 3 for 48" and 60" width hoods).

### WARNING

**Do not touch lamps during or soon after operation. Burns may occur. In order to prevent the risk of personal injury, only install shielded halogen lamps. Also, never install a cool beam, a dichroic lamp, a lamp not suitable for use in recessed luminaires or identified for use in enclosed fixtures.**

1. To remove bulbs, gently push upwards and turn counterclockwise to disengage bulb leads from their grooves.

NOTE: To ease removal of the bulbs, use a rubber dishwashing glove or use suction cup tool available from Best. Contact Best Technical Support at 1-800-558-1711 to order suction cup tool, part no. S99526707.



2. Install the new bulbs by placing the bulb leads into their grooves in the socket.
3. Gently push upwards and turn clockwise until secure.

## 14. CARE

### **Baffle Filters**

The baffle filters should be cleaned frequently. Use a warm detergent solution. Wash more often if your cooking style generates greater grease like frying foods or wok cooking.

Remove baffle filters by pushing them towards the front of the hood and rotating filters downward.

Baffle filters are dishwasher safe. Allow filters to dry completely before reinstalling them in the hood.

Clean all-metal filters in the dishwasher using a non-phosphate detergent. Discoloration of the filter may occur if using phosphate detergent or as a result of local water conditions—but this will not affect filter performance. This discoloration is not covered by the warranty.

### **Grease Drip Rail**

The grease drip rail should be cleaned frequently. Lift it out from the hood and use a warm detergent solution. As for the baffle filters, wash more often if your cooking style generates greater grease like frying foods or wok cooking. Allow grease drip rail to dry completely before reinstalling it in the hood.

### **Blower Cleaning**

Remove the filters in order to access the blowers. Vacuum blowers to clean. Do not immerse in water.

### **Hood cleaning**

Stainless steel cleaning:

#### **Do:**

- Regularly wash with clean cloth or rag soaked with warm water and mild soap or liquid dish detergent.
- Always clean in the direction of original polish lines.
- Always rinse well with clear water (2 or 3 times) after cleaning. Wipe dry completely.
- You may also use a specialized household stainless steel cleaner.

#### **Don't:**

- Use any steel or stainless steel wool or any other scrapers to remove stubborn dirt.
- Use any harsh or abrasive cleansers.
- Allow dirt to accumulate.
- Let plaster dust or any other construction residues reach the hood. During construction/renovation, cover the hood to make sure no dust sticks to stainless steel surface.

## 14. CARE (CONT'D)

### Avoid when choosing a detergent:

- Any cleaners that contain **bleach** will attack stainless steel.
- Any products containing: **chloride, fluoride, iodide, bromide** will deteriorate surfaces rapidly.
- Any combustible products used for cleaning such as **acetone, alcohol, ether, benzol**, etc., are highly explosive and should never be used close to a range.

## 15. OPERATION

### BLOWER

The blower is operated using 2 controls.

Use the on/off rocker switch (2) to start and stop the blower. When turned ON, the switch turns red and the blower operates at the speed set by the speed control knob (1).

Turn the speed control knob clockwise to increase blower speed – counterclockwise to decrease speed.

### COOKTOP LIGHTING (HALOGEN)

Use the on/off rocker switch (3) to turn the halogen lights ON or OFF.

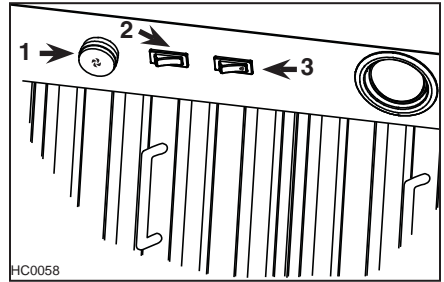
### HEAT SENTRY™

This hood is equipped with a Heat Sentry thermostat.

This thermostat is a device that will turn on the blower if it senses excessive heat above the cooking surface.

1) If blower is OFF - it turns blower ON to the last selected speed.

2) If blower is already ON speed will remain the same.



1) BLOWER SPEED CONTROL KNOB

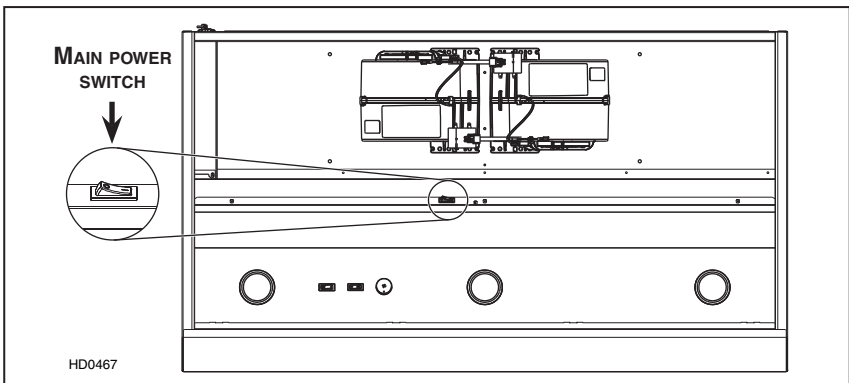
2) ON/OFF BLOWER SWITCH

3) HALOGEN LIGHT SWITCH

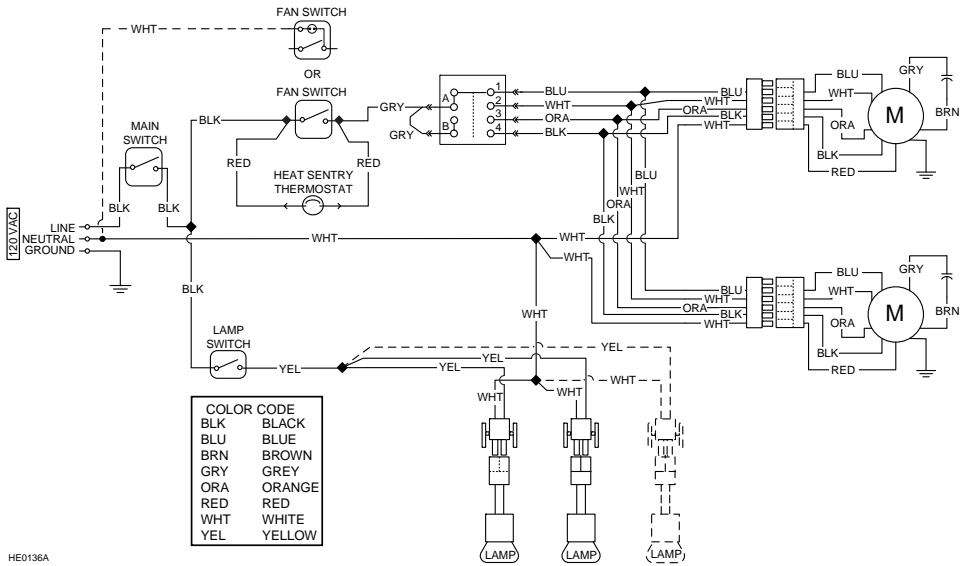
## ⚠ WARNING

The HEAT SENTRY can start the blower during a range top fire or other excessive heat situations even if the hood is turned off. In this case, it is impossible to turn the blower OFF using control panel switch. To stop the blower, set the main power switch located behind the baffle filters in OFF position, if it is possible to do safely.

When the temperature level drops to normal, the blower will return to its original setting.



# 16. WIRING DIAGRAM



# 17. WARRANTY

## ONE-YEAR LIMITED WARRANTY FOR BEST PRODUCTS

Broan-NuTone LLC (Broan-NuTone) warrants to the original consumer purchaser of Best products that such products will be free from defects in materials or workmanship for a period of one year from the date of original purchase. THERE ARE NO OTHER WARRANTIES, EXPRESS OR IMPLIED, INCLUDING, BUT NOT LIMITED TO, IMPLIED WARRANTIES OR MERCHANTABILITY OR FITNESS FOR A PARTICULAR PURPOSE.

During this one-year period, Broan-NuTone will, at its option, repair or replace, without charge, any product or part which is found to be defective under normal use and service.

THIS WARRANTY DOES NOT EXTEND TO FLUORESCENT LAMP STARTERS, TUBES, HALOGEN AND INCANDESCENT BULBS, FUSES, FILTERS, DUCTS, ROOF CAPS, WALL CAPS AND OTHER ACCESSORIES FOR DUCTING. This warranty does not cover (a) normal maintenance and service or (b) any products or parts which have been subject to misuse, negligence, accident, improper maintenance or repair (other than by Broan-NuTone), faulty installation or installation contrary to recommended installation instructions.

The duration of any implied warranty is limited to the one-year period as specified for the express warranty. Some states or provinces do not allow limitation on how long an implied warranty lasts, so the above limitation may not apply to you.

**BROAN-NUTONE'S OBLIGATION TO REPAIR OR REPLACE, AT BROAN-NUTONE'S OPTION, SHALL BE THE PURCHASER'S SOLE AND EXCLUSIVE REMEDY UNDER THIS WARRANTY. BROAN-NUTONE SHALL NOT BE LIABLE FOR INCIDENTAL, CONSEQUENTIAL OR SPECIAL DAMAGES ARISING OUT OF OR IN CONNECTION WITH PRODUCT USE OR PERFORMANCE. Some states or provinces do not allow the exclusion or limitation of incidental or consequential damages, so the above limitation or exclusion may not apply to you.**

This warranty gives you specific legal rights, and you may also have other rights, which vary from state to state or province to another. This warranty supersedes all prior warranties.

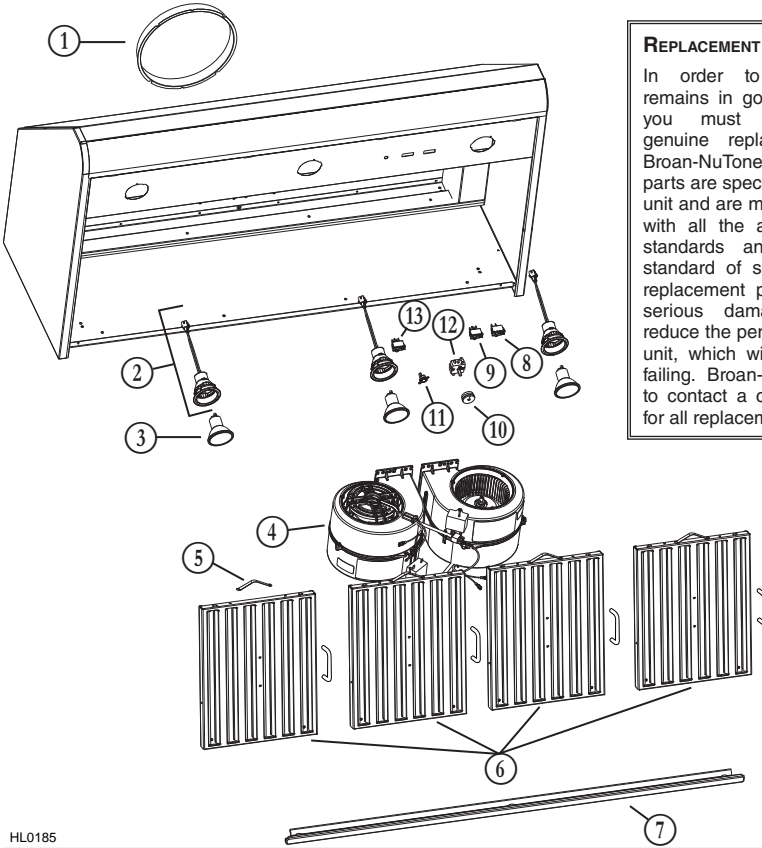
To qualify for warranty service, you must (a) notify Broan-NuTone at the address stated below or telephone number stated below, (b) give the model number and part identification and (c) describe the nature of any defect in the product or part. At the time of requesting warranty service, you must present evidence of the original purchase date.

**In USA - Best®**, 926 W. State Street, Hartford, WI 53027 (800-558-1711)

**In Canada - Best®**, 550 Lemire Blvd., Drummondville, QC, Canada, J2C 7W9 (866-737-7770)

www.BestRangeHoods.com

# 18. SERVICE PARTS



## REPLACEMENT PARTS AND REPAIRS

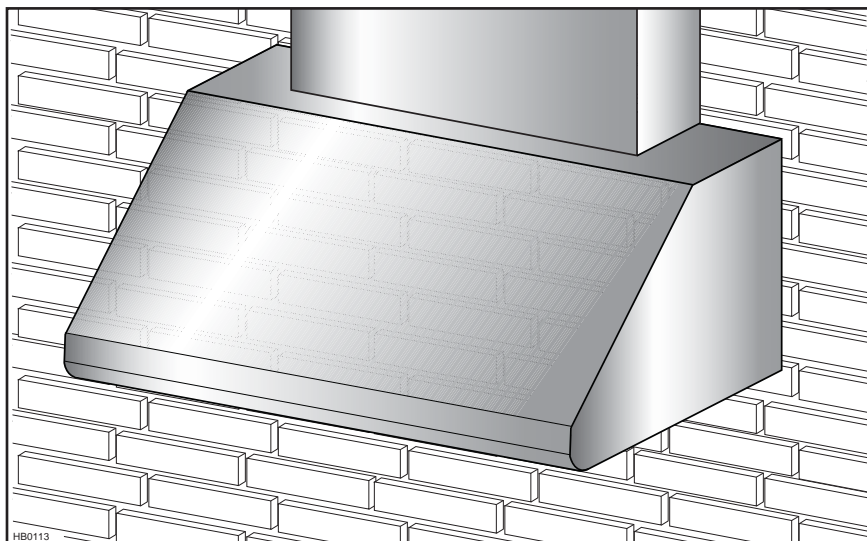
In order to ensure your unit remains in good working condition, you must use Broan-NuTone genuine replacement parts only. Broan-NuTone genuine replacement parts are specially designed for each unit and are manufactured to comply with all the applicable certification standards and maintain a high standard of safety. Any third party replacement part used may cause serious damage and drastically reduce the performance level of your unit, which will result in premature failing. Broan-NuTone recommends to contact a certified service depot for all replacement parts and repairs.

HL0185

KEY NO.	PART NO.	DESCRIPTION	QTY. (RANGE HOOD WIDTH)			
			36"	42"	48"	60"
1	SV08541	10" ROUND ADAPTER	1	1	1	1
2	SV16569	LIGHT SOCKET AND TRIM ASSEMBLY	2	2	3	3
3	SV05921	SHIELDED HALOGEN BULB (120 V, 50 W, GU10 BASE)	2	2	3	3
4	SV08582	BLOWER	2	2	2	2
5	SV08337	FILTER SPRING	3	3	4	5
6	SV60675	BAFFLE FILTER 11.84" x 15.125" (SPRING AND HANDLE INCLUDED)	3	2	4	5
	SV60716	BAFFLE FILTER 8.84" x 15.125" (SPRING AND HANDLE INCLUDED)		2		
7	SV60695	GREASE RAIL 36"	1			
	SV64678	GREASE RAIL 42"		1		
	SV60696	GREASE RAIL 48"			1	
	SV60697	GREASE RAIL 60"				1
8	SV02563	LIGHT ROCKER SWITCH	1	1	1	1
9	SV03503	BLOWER ROCKER SWITCH	1	1	1	1
10	SV08549	FAN KNOB	1	1	1	1
11	SV03435	HEAT SENTRY™ THERMOSTAT	1	1	1	1
12	SV21722	SPEED CONTROL	1	1	1	1
13	SV08548	MAIN POWER SWITCH	1	1	1	1
*	SV05869	BEST LOGO	1	1	1	1
*	SV20569	INSTALLATION GUIDE	1	1	1	1
*	SV04216	PARTS BAG: 3 WATERPROOF WIRE CONNECTORS, 2 NO. 8 x 5/8" SCREWS, 6 NO. 10 x 2" HEX. HEAD SCREWS, 4 NO. 10 x 2" FLAT HEAD SCREWS, 2 WALL ANCHORS, 6 WASHERS 3/16" ID x 3/4" OD, 4 STAINLESS STEEL 10-32 LOCKNUTS, 2 WIRE CLAMPS LP16-AP, 2 NO. 8 x 3/8" ZINC-PLATED SCREWS, 8 NO. 8 x 3/8" STAINLESS STEEL SCREWS	1	1	1	1

\* NOT SHOWN.

# best®



## SÉRIE WPD381

CONVIENT À UNE INSTALLATION DANS DES LIEUX HUMIDES

LORSQU'ELLE EST RACCORDÉE À UN

DISJONCTEUR DE FUITE À LA TERRE (DDFT).

CONÇUE POUR FONCTIONNER SUR UN PATIO COUVERT OU UNE VÉRANDA.

**⚠ CONÇUE POUR USAGE DOMESTIQUE SEULEMENT ⚠**

### LIRE ET CONSERVER CES DIRECTIVES

INSTALLATEUR : LAISSER CE GUIDE AU PROPRIÉTAIRE.

PROPRIÉTAIRE : DIRECTIVES D'UTILISATION ET D'ENTRETIEN  
EN PAGES 21 ET 22.

BEST; Hartford, Wisconsin [www.BestRangeHoods.com](http://www.BestRangeHoods.com) 800 558-1711

BEST; Drummondville, QC, Canada [www.BestRangeHoods.com](http://www.BestRangeHoods.com) 866 737-7770

Pour enregistrer votre produit en ligne ou pour obtenir plus d'information,  
consultez notre site [www.BestRangeHoods.com](http://www.BestRangeHoods.com)

## **⚠ AVERTISSEMENT**

### **AFIN DE RÉDUIRE LES RISQUES D'INCENDIE, D'ÉLECTROCUTION OU DE BLESSURES CORPORELLES, SUIVEZ LES DIRECTIVES SUIVANTES :**

1. N'utilisez cet appareil que de la façon prévue par le fabricant. Si vous avez des questions, contactez le fabricant à l'adresse ou au numéro de téléphone indiqués dans la garantie.
2. Avant de réparer ou de nettoyer l'appareil, coupez l'alimentation électrique en verrouillant le panneau de distribution afin d'éviter sa remise en marche accidentelle. Si le panneau de distribution ne peut être verrouillé, y fixer un avertissement en évidence, telle qu'une étiquette de couleur vive.
3. Les travaux d'installation et de raccordement électrique doivent être effectués par une personne qualifiée, conformément aux codes et aux standards de construction, incluant ceux concernant la protection contre les incendies.
4. Une quantité d'air adéquate est requise afin d'assurer une bonne combustion et l'évacuation des gaz par la cheminée dans le cas des équipements alimentés au gaz afin de prévenir les retours de cheminée. Conformez-vous aux instructions et aux standards de sécurité des fabricants d'équipement de chauffage, tel qu'ils sont publiés par la National Fire Protection Association (NFPA) et l'American Society for Heating, Refrigeration and Air Conditioning Engineers (ASHRAE) ainsi que les responsables des codes locaux.
5. Veillez à ne pas endommager le câblage électrique ou d'autres équipements non apparents lors de la découpe ou du perçage du mur ou du plafond.
6. Les ventilateurs avec conduits doivent toujours évacuer l'air à l'extérieur.
7. Ne pas utiliser cet appareil avec une commande de vitesse à semi-conducteur additionnelle.
8. Afin de réduire les risques d'incendie, n'utilisez que des conduits de métal.
9. Cet appareil doit être mis à la terre et protégé par un DDFDT (disjoncteur de fuite à la terre).
10. Convient à une utilisation dans des lieux humides seulement lorsqu'elle est raccordée à un DISJONCTEUR DE FUITE À LA TERRE (DDFT).
11. Cet appareil n'est pas conçu pour être utilisé avec un barbecue au charbon de bois.
12. Lorsqu'une réglementation est en vigueur et qu'elle comporte des exigences d'installation et/ou de certification plus restrictives, lesdites exigences prévalent sur celles de ce document et l'installateur entend s'y conformer à ses frais.

### **AFIN DE RÉDUIRE LES RISQUES DE FEU DE CUISINIÈRE :**

- a) Ne jamais laisser les appareils de cuisson sans surveillance lorsqu'ils sont réglés à feu vif. Les débordements engendrent de la fumée et des déversements graisseux pouvant s'enflammer. Chauffez l'huile lentement, à feu doux ou moyen.
- b) Mettez toujours la hotte en marche lorsque vous cuisinez à feu vif ou que vous cuisinez des mets flambés (par ex. : crêpes Suzette, cerises jubilé, steaks au poivre flambés).
- c) Nettoyez régulièrement la (les) roue(s) du ventilateur. Ne laissez pas la graisse s'accumuler sur le ventilateur, les filtres ou les conduits d'évacuation.
- d) Utilisez le bon format de casserole. Servez-vous toujours de casseroles et d'ustensiles appropriés à la dimension de la surface chauffante.

## **⚠ AVERTISSEMENT**

### **AFIN D'ÉVITER TOUT RISQUE DE BLESSURES LORS D'UN FEU DE CUISINIÈRE, SUIVEZ CES DIRECTIVES\* :**

1. Éteignez les flammes avec un couvercle hermétique, une tôle à biscuits ou un plateau métallique et ensuite, éteindre le brûleur. PRENEZ SOIN D'ÉVITER les brûlures. SI LES FLAMMES NE S'ÉTEIGNENT PAS IMMÉDIATEMENT, ÉVACUEZ LES LIEUX ET APPELEZ LES POMPIERS.
2. NE PRENEZ JAMAIS UNE CASSEROLE EN FLAMMES DANS VOS MAINS. Vous pourriez vous brûler.
3. N'UTILISEZ PAS D'EAU, incluant un linge à vaisselle ou une serviette mouillée, cela pourrait occasionner une violente explosion de vapeur.
4. N'utilisez un extincteur QUE DANS LE CAS OÙ :
  - A. Vous savez qu'il s'agit d'un extincteur de classe ABC et que vous en connaissez le fonctionnement.
  - B. L'incendie est petit et limité à l'endroit où il a débuté.
  - C. Les pompiers ont été avisés.
  - D. Vous pouvez combattre l'incendie en ayant accès à une sortie de secours.

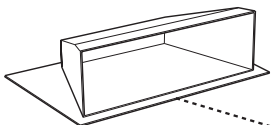
\*Tirées du Kitchen Fire Safety publié par la NFPA.

## **ATTENTION**

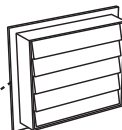
1. Pour usage domestique seulement. Ne pas utiliser pour évacuer des vapeurs ou des matières dangereuses ou explosives.
2. Afin d'éviter tout dommage au moteur et de débalancer ou de rendre bruyante la roue du moteur, garder votre appareil à l'abri des poussières de gypse et de construction/rénovation, etc.
3. Le moteur de votre hotte possède une protection thermique qui arrêtera automatiquement le moteur s'il devient surchauffé. Le moteur redémarrera automatiquement une fois refroidi. Si le moteur continue à arrêter et à redémarrer, faites-le vérifier.
4. Pour une meilleure évacuation des odeurs de cuisson, le bas de votre hotte doit être situé à une distance minimale de 36 po au-dessus de la surface de cuisson.
5. Deux installateurs sont recommandés lors de l'installation vu la grande dimension et le poids de cet appareil.
6. Afin de réduire les risques d'incendie, assurez-vous d'évacuer l'air à l'extérieur. Ne pas évacuer l'air dans des espaces restreints comme l'intérieur des murs ou plafond ou dans le grenier, faux plafond ou garage.
7. Cet appareil est équipé d'un thermostat pouvant faire démarrer le ventilateur automatiquement. Afin de réduire le risque de blessure, couper le courant à partir du panneau électrique et le verrouiller ou apposer un avertissement sur le panneau afin de prévenir que la hotte ne soit mise en marche accidentellement.
8. Veuillez consulter l'autocollant apposé à l'intérieur du produit pour plus d'information ou autres exigences.

# - SYSTÈME DE HOTTE DE CUISINIÈRE SÉRIE WPD381 -

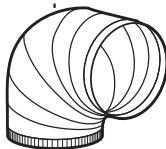
MODÈLE 437  
(CAPUCHON DE TOIT À HAUT RENDEMENT)



MODÈLE 441  
(CAPUCHON MURAL DE 10 PO ROND)



MODÈLE 418  
(COUDE AJUSTABLE  
DE 10 PO, ROND,  
OPTIONNEL)



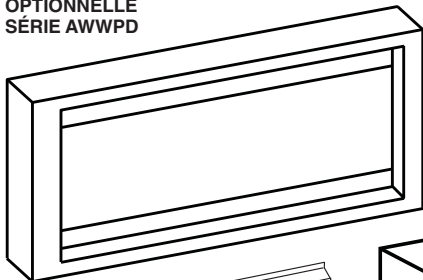
MODÈLE 410  
(CONDUIT ROND DE 10 PO,  
SECTIONS DE 2 PI)



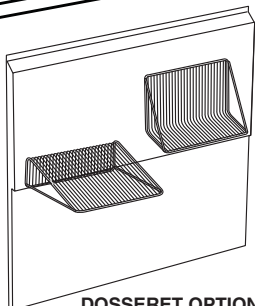
CHEMINÉE DÉCORATIVE  
OPTIONNELLE  
SÉRIE AEWPD



RALLONGE DE HOTTE  
OPTIONNELLE  
SÉRIE AWWPD

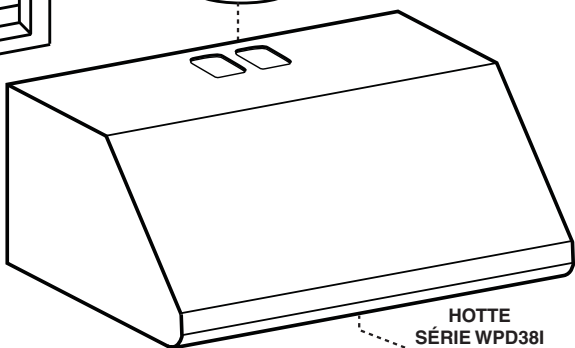


ADAPTEUR ROND DE 10 PO  
(INCLUS)



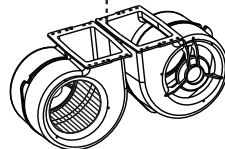
DOSSERET OPTIONNEL  
SÉRIE ABWPD

LARGEUR DE 36 PO, 42 PO OU 48 PO  
(RECOUVREMENT DE MUR EN ACIER  
INOXYDABLE AVEC SUPPORT ASSIETTES)



HOTTE  
SÉRIE WPD381

VENTILATEUR  
DOUBLE  
(INCLUS)



# 1. INSTALLER LES CONDUITS ET LE CÂBLAGE ÉLECTRIQUE

## ATTENTION

Cette hotte est conçue pour être utilisée sur un patio couvert ou une véranda.  
Comme tous les électroménagers, cet appareil doit être à l'abri des intempéries.

## ⚠ AVERTISSEMENT

Cette hotte n'est pas conçue pour être utilisée avec un barbecue au charbon de bois.

Déterminer à quel endroit et comment les conduits seront installés.

Un conduit droit et court permettra à votre hotte de fonctionner plus efficacement.

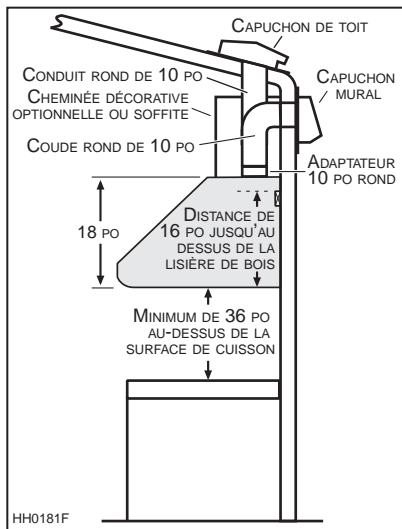
Installer des conduits de dimensions adéquates, des coudes et un capuchon de toit ou mural. Relier le conduit de métal au capuchon, puis acheminer le conduit jusqu'à l'emplacement de votre hotte. Sceller les joints avec du ruban adhésif de métal de 2 po de largeur.

Acheminer un câble d'alimentation électrique à 3 conducteurs jusqu'à l'emplacement de la hotte.

## ⚠ AVERTISSEMENT

Le fil d'alimentation électrique doit être raccordé à un disjoncteur de fuite à la terre (DDFT).

Pour une meilleure évacuation des odeurs de cuisson, le bas de votre hotte doit être situé à une distance minimale de 36 po au-dessus de la surface de cuisson.



# 2. PRÉPARER L'INSTALLATION

## ⚠ AVERTISSEMENT

Il est recommandé de porter des lunettes et des gants de sécurité lors de l'installation, de l'entretien et de la réparation de cet appareil.

NOTE : Avant de commencer l'installation, vérifier le contenu de la boîte. Si des pièces sont manquantes ou endommagées, contacter le fabricant.

S'assurer que les articles suivants sont inclus :

- Hotte
  - Lisière de bois (fixée au dos de la hotte)
  - Guide d'installation
  - Les accessoires incluant :
    - Filtres à chicane avec poignées : 3 pour le modèle de 36 po de largeur, 4 pour les modèles de 42 po et de 48 po de largeur et 5 pour le modèle de 60 po de largeur
    - Ampoules halogènes avec écran (120 V, 50 W max., MR16 à culot GU10) (2 pour les modèles de 36 po et de 42 po de largeur, 3 pour les modèles de 48 po et 60 po de largeur)
    - Adaptateur de 10 po rond (fixé avec du ruban adhésif à l'intérieur de la hotte)
    - Sac de pièces : 3 capuchons de connexion étanches, 2 vis n° 8 x 5/8 po, 6 vis à tête hexagonale n° 10 x 2 po, 4 vis à tête fraisée n° 10 x 2 po, 2 douilles à expansion, 2 rondelles de 3/16 po DI x 3/4 po DE
- Inclus dans le sac de pièces, mais à ne pas utiliser (svp jeter) :
- 2 serre-fils LP16-AP, 2 vis n° 8 x 3/8 po plaquées zinc,
  - 8 vis en acier inoxydable n° 8 x 3/8 po, 4 contre-écrous 10-32 en acier inoxydable,
  - 4 rondelles de 3/16 po DI x 3/4 po DE



## 2. PRÉPARER L'INSTALLATION (SUITE)

### Pièces vendues séparément

- Dossieret de série ABWPD, 36 po, 42 po ou 48 po de largeur (optionnel)
- Cheminée décorative de série AEWPD, à être installée au-dessus de la hotte (optionnelle)
- Rallonge de hotte de série AWWPD, 36 po, 42 po, 48 po ou 60 po de largeur (optionnelle)
- Transitions, conduits, coudes, volets, capuchons mural ou de toit

Consulter la page 15 pour la liste complète des accessoires de ventilation et les numéros de modèle.

NOTE : Lors de l'installation, protéger la surface de cuisson et le comptoir de cuisine.

## 3. INSTALLER LE DOSSERET (OPTIONNEL)

### Série ABWPD (seulement pour les modèles de 36 po, 42 po et 48 po de largeur)

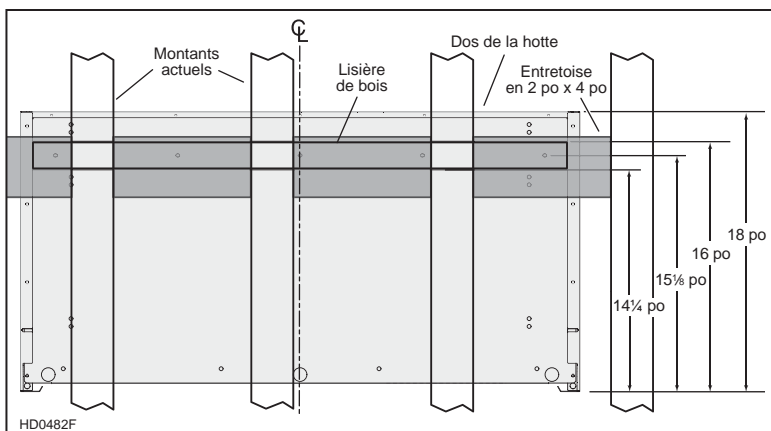
Le dossieret doit être installé avant la hotte et la rallonge de hotte (si installée), puisque celles-ci couvrent les vis d'installation du dossieret (voir les directives fournies avec le dossieret).

## 4. INSTALLER LA LISIÈRE DE BOIS

### ATTENTION

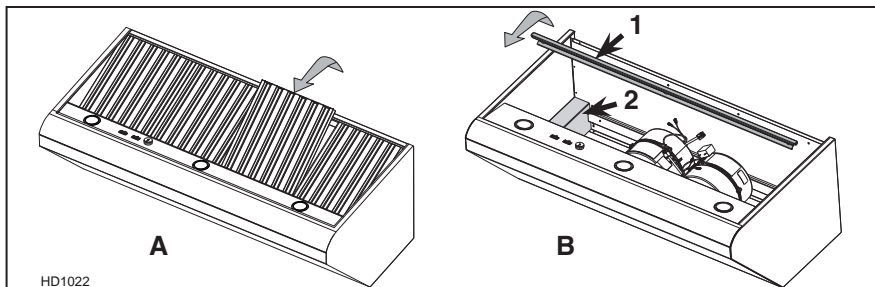
**En raison du poids élevé de cette hotte, s'assurer que la lisière de bois soit bien rattachée à tous les montants et entretoises disponibles; ne pas visser la lisière de bois seulement au mur.**

1. Une structure de soutien appropriée est nécessaire afin de supporter adéquatement le poids de la hotte. Construire la charpente du mur à l'aide de montants en 2 po x 4 po minimum.
2. Marquer l'emplacement du centre de la hotte.
3. Mesurer et tracer une ligne droite au-dessus de la surface de cuisson pour l'emplacement de la lisière de bois (voir l'illustration en page 16). Installer des entretoises en 2 po x 4 po entre les montants où la lisière de bois sera installée. Voir l'illustration ci-dessous.
4. Retirer la lisière de bois de l'arrière de la hotte.
5. Placer la lisière de bois au mur et la fixer aux montants et aux entretoises à l'aide de 4 vis n° 10 x 2 po à tête fraisée (incluses dans le sac de pièces).



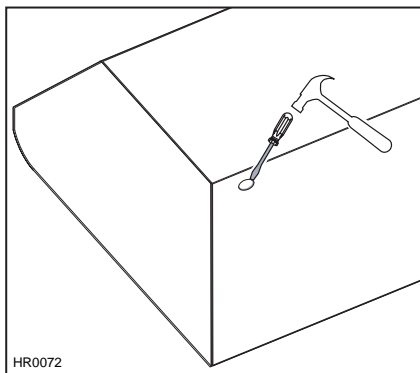
## 5. RETIRER LES FILTRES À CHICANE, LA GOUÏTIÈRE ET LE COUVERCLE DU CÂBLAGE ÉLECTRIQUE

- A. Enlever le ruban adhésif des filtres.  
Retirer les filtres de la hotte et les mettre de côté.  
NOTE : Il est recommandé de commencer par celui (ceux) du centre.
- B. Enlever le ruban adhésif de la gouttière (1). Retirer la gouttière et la mettre de côté.  
Retirer le couvercle du câblage électrique (2).



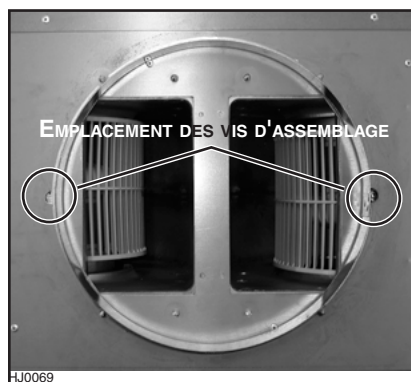
## 6. RETIRER L'OUVERTURE PRÉAMORCÉE

Défoncer l'ouverture préamorcée pour le fil d'alimentation située à l'arrière de la hotte. Installer le serre-fils (inclus dans le sac de pièces).



## 7. INSTALLER L'ADAPTATEUR

Retirer l'adaptateur de l'intérieur de la hotte.  
À l'aide des 2 vis n° 8 x 3/8 po plaquées zinc (incluses dans le sac de pièces), assembler l'adaptateur sur le dessus de la hotte. Sceller les joints avec du ruban adhésif de métal pour éliminer les fuites d'air.



## 8. INSTALLER LA RALLONGE DE HOTTE (OPTIONNELLE)

### Série AWWPD

La rallonge de hotte doit être installée avant la hotte (voir les directives fournies avec la rallonge).

## 9. INSTALLER LA HOTTE

### ATTENTION

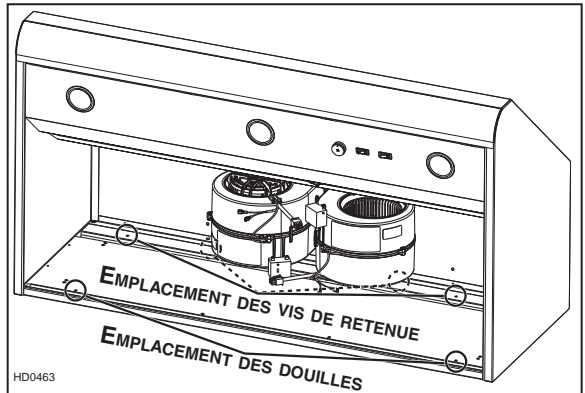
- Bien que non recommandé, si les ventilateurs doivent être retirés, les réinstaller à l'aide des contre-écrous 10-32 inclus dans le sac de pièces (couple de serrage maximal de 20 lb).
- Retenir la hotte jusqu'à ce qu'elle soit complètement vissée à la lisière de bois.

Insérer le câble d'alimentation électrique dans la hotte par le serre-fils (installé précédemment à l'étape 6) et serrer le serre-fils pour le maintenir en place.

En appuyant la hotte au mur, insérer la lisière de bois dans la cavité arrière de la hotte.

Attacher le conduit rond de 10 po à l'adaptateur.

Fixer la hotte à la lisière de bois, aux endroits indiqués, à l'aide de 4 vis n° 10 x 2 po à tête hexagonale (pour le modèle de 36 po de largeur) ou de 6 vis (pour les modèles de 42 po, 48 po et 60 po de largeur) fournies. En se servant des trous existants dans la hotte, percer le mur, aux endroits indiqués, de 2 trous de 3/16 po et y insérer les douilles à expansion. Puis, fixer la hotte au mur avec les 2 vis n° 8 x 5/8 po et les 2 rondelles fournies.



## 10. INSTALLER LA CHEMINÉE DÉCORATIVE (OPTIONNELLE)

### Série AEWPD

Voir les directives fournies avec la cheminée décorative optionnelle.

## 11. BRANCHEMENT ÉLECTRIQUE

### ⚠ AVERTISSEMENT

**Risque d'électrocution. Le raccordement électrique doit être effectué par du personnel qualifié conformément aux codes et aux standards en vigueur. Avant d'effectuer le branchement, coupez l'alimentation électrique au panneau de distribution et verrouillez-le pour éviter une mise en marche accidentelle.**

#### DIRECTIVES POUR L'UTILISATION DES CAPUCHONS DE CONNEXIONS ÉTANCHES :

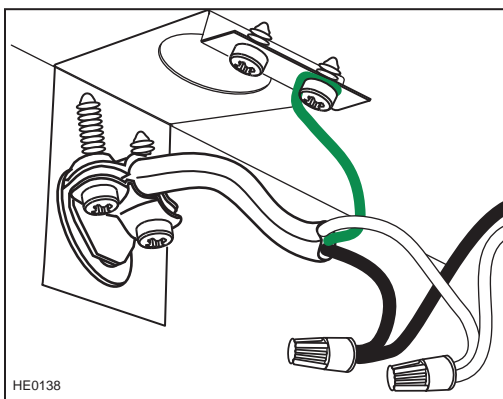
1. Dégainer les fils d'une longueur de 3/8 po.
2. Égaliser les brins ou les conducteurs.
3. Ne pas les tordre. Rapprocher les fils et mettre leurs bouts égaux, sauf pour les fils à brins plus petits, lesquels doivent dépasser légèrement des fils plus gros.
4. Insérer les fils dans le capuchon de connexion en poussant légèrement et tordre. NE PAS trop tordre.
5. Un peu de scellant pourrait s'échapper lors de l'insertion des fils dans le capuchon de connexion. Essuyer l'excès de scellant autour des conducteurs. NE PAS RÉUTILISER.

## 11. BRANCHEMENT ÉLECTRIQUE (SUITE)

Connecter les fils aux fils du câble d'alimentation dans la boîte de jonction à l'aide des capuchons de connexion étanches fournis.

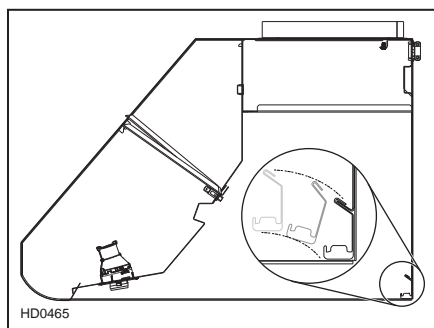
Connecter le fil NOIR au NOIR, le fil BLANC au BLANC et le fil VERT ou dénudé à la vis de mise à la terre.

Remettre en place le couvercle du câblage électrique.



## 12. RÉINSTALLER LA GOUTIÈRE ET LES FILTRES À CHICANE

Réinstaller la gouttière. L'image ci-contre illustre la façon de réinsérer la gouttière dans la hotte.

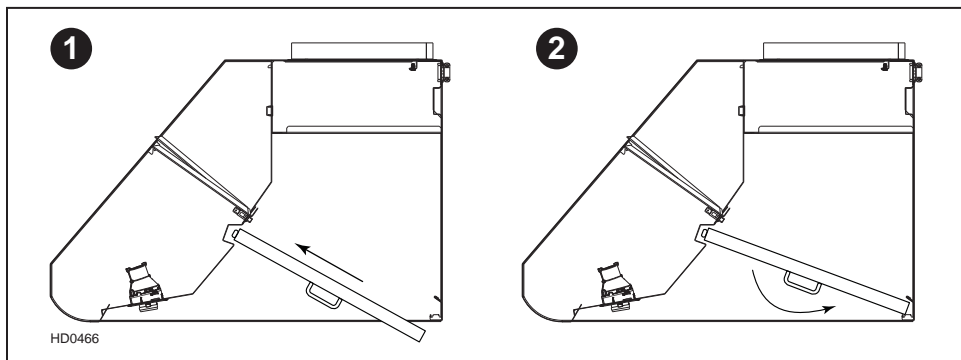


### ATTENTION

**Avant d'installer les filtres à chicane, retirer la pellicule de plastique protectrice de ceux-ci.**

Il est recommandé d'installer d'abord les filtres situés aux extrémités et de terminer par le(s) filtre(s) du centre.

- 1 Introduire une extrémité du filtre dans le rail avant de la hotte.
- 2 Lever l'autre bout du filtre à l'intérieur de la hotte et l'introduire dans la gouttière.



## 13. REMPLACEMENT DES AMPOULES

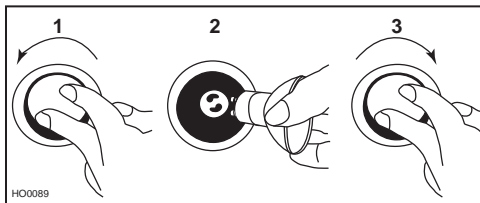
L'éclairage de cette hotte est produit par des ampoules halogènes avec écran de 120 V, 50 W, MR16 à culot GU10 (incluses). (2 pour le modèle de 36 po, 3 pour les modèles de 48 po et 60 po.)

### ⚠ AVERTISSEMENT

**Ne pas toucher aux lampes durant ou peu après leur utilisation. Peuvent causer des brûlures. Afin de réduire le risque de blessures corporelles, n'installer que des ampoules halogènes avec écran. Aussi, ne jamais installer une ampoule à faisceau froid, dichroïque, non conçue pour des luminaires encastrés ou conçue uniquement pour des luminaires fermés.**

1. Pour retirer les ampoules, pousser doucement vers le haut et tourner dans le sens contraire des aiguilles d'une montre pour désengager les conducteurs hors de leur rainure.

NOTE: Pour obtenir une meilleure prise de l'ampoule lors de son retrait, utiliser un gant à vaisselle ou la ventouse de Best. Contacter le support technique de Best au 1 800 558-1711 pour commander la ventouse, numéro de pièce S99526707.



2. Installer les nouvelles ampoules en glissant leurs conducteurs dans les rainures, à l'intérieur des douilles.
3. Pousser doucement vers le haut et tourner dans le sens des aiguilles d'une montre jusqu'à ce que les ampoules soient bien en place.

## 14. ENTRETIEN

### Filtres à chicane

Les filtres à chicane doivent être nettoyés fréquemment. Utiliser une solution d'eau chaude et de détergent. Les filtres à chicane doivent être lavés plus souvent si vos habitudes de cuisson génèrent plus de graisse, par exemple de la friture ou des aliments sautés au wok. Retirer les filtres en les poussant vers l'avant de la hotte et en les retournant vers le bas.

Les filtres à chicane sont lavables au lave-vaisselle. Nettoyer les filtres fabriqués entièrement de métal au lave-vaisselle à l'aide d'un détergent sans phosphate. L'utilisation d'un détergent avec phosphates ainsi que les conditions locales de l'eau peuvent entraîner une décoloration des filtres, sans toutefois affecter leur performance. Cette décoloration n'est pas couverte par la garantie. Laisser les filtres sécher complètement avant de les réinstaller dans la hotte.

### Gouttière

La gouttière doit être nettoyée fréquemment. Pour ce faire, la désengager de la hotte et utiliser une solution d'eau chaude et de détergent. Tout comme les filtres à chicane, la laver plus souvent si vos habitudes de cuisson génèrent plus de graisse, par exemple de la friture ou des aliments sautés au wok. Essuyer complètement la gouttière avant de la réinstaller dans la hotte.

### Nettoyage des ventilateurs

Retirer les filtres pour accéder aux ventilateurs. Passer l'aspirateur pour les nettoyer, ne pas les immerger dans l'eau.

### Nettoyage de la hotte

Acier inoxydable :

#### À faire :

- Laver régulièrement les surfaces à l'aide d'un chiffon ou linge propre imbibé d'eau tiède et de savon doux ou de détergent liquide à vaisselle.
- Toujours nettoyer dans le sens du polissage.
- Toujours bien rincer avec de l'eau claire (2 à 3 fois) et essuyer complètement.
- Un nettoyant domestique conçu spécialement pour l'acier inoxydable peut aussi être utilisé.

#### À ne pas faire :

- Ne pas utiliser de laine d'acier ou d'acier inoxydable ou tout autre grattoir pour enlever la saleté tenace.
- Ne pas utiliser une poudre nettoyante abrasive ou rugueuse.
- Ne pas laisser la saleté s'accumuler.
- Ne pas laisser la poussière de plâtre ou tout autre résidu de construction atteindre la hotte. Couvrir la hotte pour la durée des travaux afin de s'assurer qu'aucune poussière n'atteigne la hotte.

## 14. ENTRETIEN (SUITE)

À éviter lors du choix d'un détergent :

- Tous produits nettoyants contenant des **agents de blanchiment**; ils attaqueront l'acier inoxydable.
- Tous produits contenant du **chlorure**, du **fluorure**, de l'**iode** ou du **bromure**; ils détérioreront rapidement les surfaces.
- Tous produits combustibles utilisés pour le nettoyage : **acétone**, **alcool**, **éther**, **benzène**, etc.; ils sont grandement explosifs et ne devraient jamais être utilisés près d'une cuisinière.

## 15. FONCTIONNEMENT

### VENTILATEUR

Le ventilateur fonctionne à l'aide de 2 commandes.

Utiliser l'interrupteur à bascule MARCHE/ARRÊT (2) pour activer et arrêter le ventilateur. Lorsque l'interrupteur est à la position marche, sa lumière rouge s'allume et le ventilateur fonctionne à la vitesse réglée par le bouton de la commande de vitesse (1).

Tourner le bouton de la commande de vitesse dans le sens horaire pour augmenter la vitesse du ventilateur, et dans le sens antihoraire pour ralentir sa vitesse.

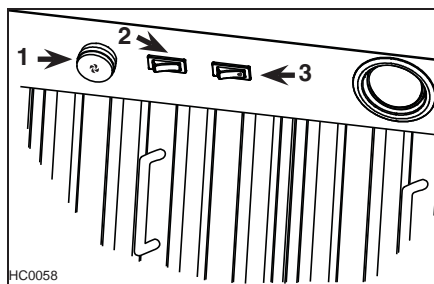
### ÉCLAIRAGE DE LA SURFACE DE CUISSON (HALOGÈNE)

Utiliser l'interrupteur à bascule MARCHE/ARRÊT (3) pour allumer et éteindre les lumières.

### HEAT SENTRY<sup>MC</sup>

Cette hotte est équipée d'un thermostat Heat Sentry. Ce thermostat est un dispositif qui mettra en marche le ventilateur s'il détecte de la chaleur excessive au-dessus de la surface de cuisson.

- 1) Si le ventilateur n'est pas en marche, il actionnera le ventilateur à la dernière vitesse sélectionnée.
- 2) Si le ventilateur est déjà en marche, la vitesse restera la même.

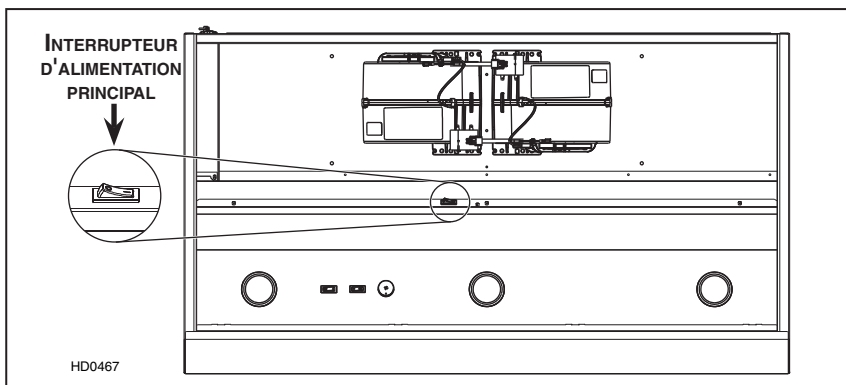


- 1) BOUTON DE COMMANDE DE VITESSE DU VENTILATEUR
- 2) INTERRUPTEUR MARCHE/ARRÊT DU VENTILATEUR
- 3) INTERRUPTEUR D'ÉCLAIRAGE HALOGÈNE

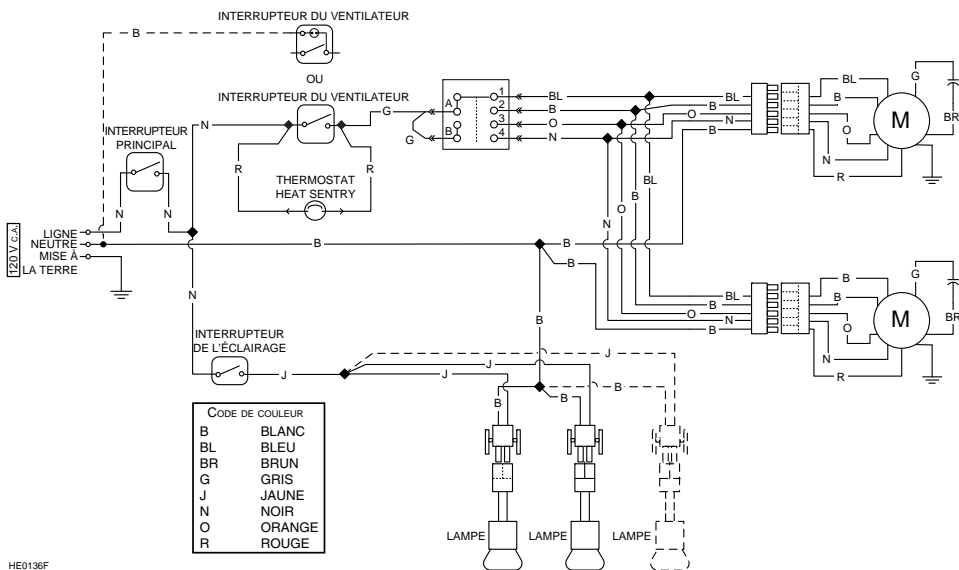
### ⚠ AVERTISSEMENT

Lors d'un feu de cuisson ou d'une chaleur excessive, le HEAT SENTRY peut activer le ventilateur même s'il est arrêté. Si tel est le cas, il est impossible d'arrêter le ventilateur avec les boutons de la commande. Régler l'interrupteur d'alimentation principal situé derrière les filtres à chicane en position ARRÊT pour arrêter le ventilateur, s'il est possible de le faire de façon sécuritaire.

Lorsque la température revient à la normale, le ventilateur retourne à sa vitesse d'origine.



## 16. SCHÉMA ÉLECTRIQUE



## 17. GARANTIE

### GARANTIE LIMITÉE DE UN AN DES PRODUITS BEST

Broan-NuTone LLC (Broan-NuTone) garantit à l'acheteur consommateur initial de produits Best qu'ils sont exempts de tout défaut dans les matières premières ou la main-d'œuvre, pour une période de un an à compter de la date d'achat par le consommateur initial. IL N'Y A PAS D'AUTRES GARANTIES, EXPRIMÉES OU IMPLICITES, INCLUANT, MAIS NON LIMITÉES AUX GARANTIES IMPLICITES POUR FIN DE COMMERCIALISATION ET DE CONVENANCE DANS UN BUT PARTICULIER.

Durant cette période de un an, Broan-NuTone, à sa discrétion, réparera ou remplacera gratuitement, tout produit ou pièce qui s'avère défectueux et ayant été utilisé normalement et d'une manière non abusive.

CETTE GARANTIE NE COUVRE PAS LES STARTERS DE TUBES FLUORESCENTS, LES FLUORESCENTS, LES AMPOULES HALOGÈNES ET À INCANDESCENCE, LES FUSIBLES, LES FILTRES, LES CONDUITS, LES CAPUCHONS DE TOIT, LES CAPUCHONS DE MUR ET LES AUTRES ACCESSOIRES DE CONDUITS.

Cette garantie ne couvre pas (a) l'entretien et le service normal ou (b) tout produit ou pièce endommagé à la suite de mauvais usage, de négligence, d'accident, d'entretien inapproprié ou de réparation (autre que par Broan-NuTone), d'une installation inadéquate ou non conforme au mode d'installation recommandé.

La durée de toute garantie implicite est limitée à une période de un an telle qu'elle est spécifiée pour la garantie exprimée. Certains États ou provinces ne permettent pas de limite de temps sur les garanties implicites. Si tel est le cas, veuillez ne pas tenir compte de la dernière limite décrite ci-dessus.

**L'ENGAGEMENT DE BROAN-NUTONE DE RÉPARER OU DE REMPLACER, AU CHOIX DE BROAN-NUTONE, SERA LA SEULE OBLIGATION EXCLUSIVE SOUS CETTE GARANTIE. BROAN-NUTONE NE SERA PAS TENUE RESPONSABLE DES DOMMAGES DIRECTS, INDIRECTS OU SPÉCIAUX SURVENANT À CAUSE DE OU EN RAPPORT À L'UTILISATION OU À LA PERFORMANCE DE SES PRODUITS. Certains États ou provinces ne permettent pas l'exclusion ou la limite relative aux dommages directs, indirects ou spéciaux. Si tel est le cas, veuillez ne pas tenir compte de l'exclusion ou de la limite ci-dessus.**

Cette garantie vous donne des droits légaux spécifiques et il se peut que vous ayez d'autres droits qui varient d'un État ou d'une province à l'autre. Cette garantie annule toutes les autres garanties précédentes.

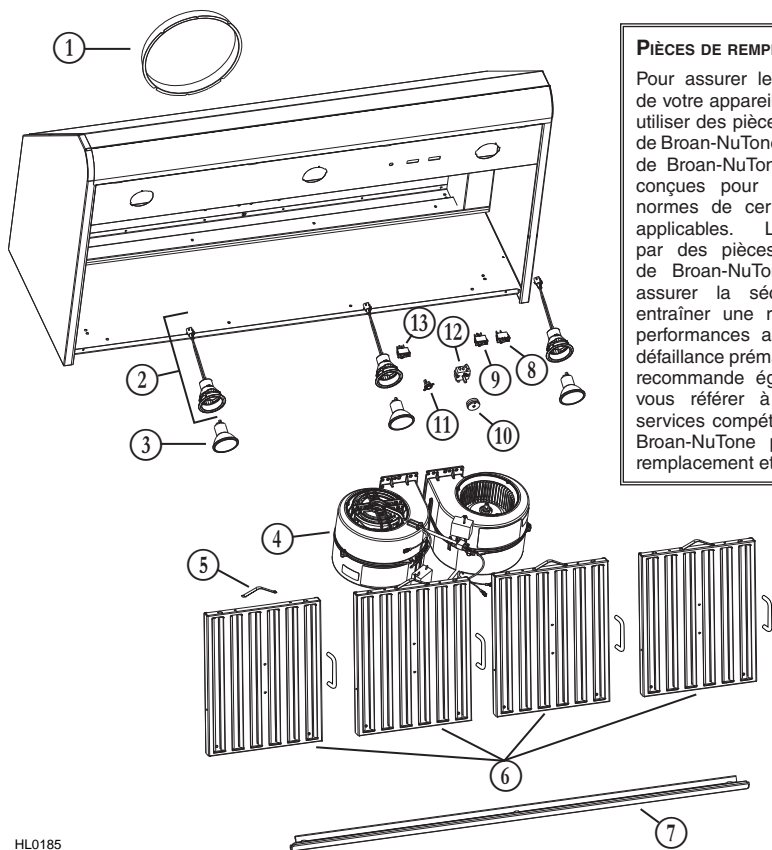
Pour le service sous garantie, vous devez (a) aviser Broan-NuTone à l'adresse ou au numéro de téléphone mentionnés ci-dessous, (b) donner le numéro du modèle et l'identification de la pièce et (c) décrire la nature de tout défaut dans le produit ou la pièce. Au moment de la demande de service sous garantie, vous devez présenter une preuve de la date d'achat initial dudit produit.

**Aux États-Unis - Best®**, 926 W. State Street, Hartford, WI 53027 (800 558-1711)

**Au Canada - Best®**, 550 boul. Lemire, Drummondville, QC, Canada, J2C 7W9 (866 737-7770)

[www.BestRangeHoods.com](http://www.BestRangeHoods.com)

# 18. PIÈCES DE REMPLACEMENT



## PIÈCES DE REMPLACEMENT ET SERVICE

Pour assurer le bon fonctionnement de votre appareil, vous devez toujours utiliser des pièces d'origine provenant de Broan-NuTone. Les pièces d'origine de Broan-NuTone sont spécialement conçues pour satisfaire toutes les normes de certification de sécurité applicables. Leur remplacement par des pièces ne provenant pas de Broan-NuTone pourrait ne pas assurer la sécurité de l'appareil, entraîner une réduction sévère des performances ainsi qu'un risque de défaillance prématurée. Broan-NuTone recommande également de toujours vous référer à une entreprise de services compétente et reconnue par Broan-NuTone pour vos pièces de remplacement et appels de service.

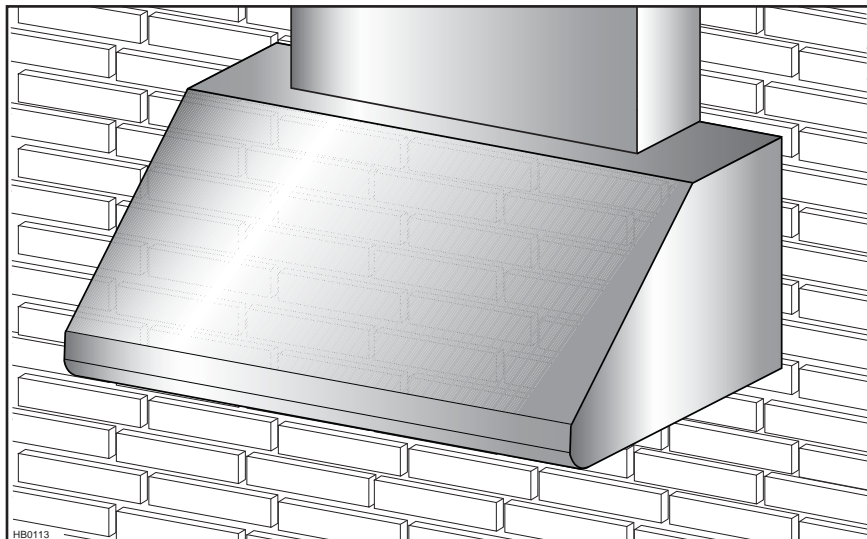
HL0185

N°	Pièce N°	DESCRIPTION	Qté (LARGEUR DE HOTTE)			
			36 PO	42 PO	48 PO	60 PO
1	SV08541	ADAPTATEUR DE 10 PO ROND	1	1	1	1
2	SV16569	ENSEMBLE DE DOUILLE ET GARNITURE DE LAMPE	2	2	3	3
3	SV05921	AMPOULE HALOGÈNE AVEC ÉCRAN (120 V, 50 W, À CULOT GU10)	2	2	3	3
4	SV08582	VENTILATEUR	2	2	2	2
5	SV08337	RESSORT POUR FILTRE	3	3	4	5
6	SV60675	FILTRE À CHICANE 11,84 PO X 15,125 PO (POIGNÉE ET RESSORT INCLUS)	3	2	4	5
	SV60716	FILTRE À CHICANE 8,84 PO X 15,125 PO (POIGNÉE ET RESSORT INCLUS)		2		
7	SV60695	GOUTTIÈRE DE 36 PO	1			
	SV64678	GOUTTIÈRE DE 42 PO		1		
	SV60696	GOUTTIÈRE DE 48 PO			1	
	SV60697	GOUTTIÈRE DE 60 PO				1
8	SV02563	INTERRUPTEUR À BASCULE DE L'ÉCLAIRAGE	1	1	1	1
9	SV03503	INTERRUPTEUR À BASCULE DU VENTILATEUR	1	1	1	1
10	SV08549	BOUTON DU VENTILATEUR	1	1	1	1
11	SV03435	THERMOSTAT HEAT SENTRY <sup>MC</sup>	1	1	1	1
12	SV21722	COMMANDE DE VITESSE	1	1	1	1
13	SV08548	INTERRUPTEUR D'ALIMENTATION PRINCIPAL	1	1	1	1
*	SV05869	LOGO BEST	1	1	1	1
*	SV20569	GUIDE D'INSTALLATION	1	1	1	1
*	SV04216	SAC DE PIÈCES : 3 CAPUCHONS DE CONNEXION ÉTANCHES, 2 VIS N° 8 x 5/8 PO, 6 VIS À TÊTE HEXAGONALE N° 10 x 2 PO, 4 VIS À TÊTE FRAISÉE N° 10 x 2 PO, 2 DOUILLES À EXPANSION, 6 RONDELLES DE 3/16 PO DI x 3/4 PO DE, 4 CONTRE-ÉCROUS 10-32 EN ACIER INOXYDABLE, 2 SERRE-FILS LP16-AP, 2 VIS N° 8 x 3/8 PO PLAQUÉES ZINC, 8 VIS EN ACIER INOXYDABLE N° 8 x 3/8 PO	1	1	1	1

\* NON ILLUSTRÉ.



# best®



## SERIE WPD381

ADECUADA PARA LUGARES HÚMEDOS CUANDO SE INSTALA EN UN  
CIRCUITO DE DERIVACIÓN PROTEGIDO CON UN DISYUNTOR.

PREVISTA PARA PATIOS O TERRAZAS CUBIERTAS.

**⚠ EXCLUSIVAMENTE PARA COCINAS DOMÉSTICAS ⚠**

**LEER Y CONSERVAR ESTAS INSTRUCCIONES**

INSTALADOR: ENTREGUE ESTE MANUAL AL PROPIETARIO DE LA CASA.  
PROPIETARIO: INFORMACIÓN SOBRE LIMPIEZA Y  
FUNCIONAMIENTO EN LAS PÁGINAS 33 Y 34.

BEST; Hartford, Wisconsin [www.BestRangeHoods.com](http://www.BestRangeHoods.com) 800-558-1711

BEST; Drummondville, QC, Canada [www.BestRangeHoods.com](http://www.BestRangeHoods.com) 866-737-7770

Para registrar su producto en línea o para obtener más información, visitar nuestro sitio  
[www.BestRangeHoods.com](http://www.BestRangeHoods.com)

## **⚠ ADVERTENCIA**

### **PARA REDUCIR EL RIESGO DE INCENDIO, DESCARGA ELÉCTRICA O LESIÓN CORPORAL, RESPETE LAS SIGUIENTES INDICACIONES:**

1. Utilice esta unidad únicamente de la forma en que indica el fabricante. Si tiene cualquier pregunta, póngase en contacto con el fabricante en la dirección o el teléfono que aparece en la garantía.
2. Antes de reparar o limpiar el aparato, apáguelo en el tablero de servicio y bloquee los medios de desconexión para impedir que la corriente se conecte accidentalmente. Cuando no se pueda bloquear los medios de desconexión, coloque un dispositivo de advertencia visible (como una etiqueta) en el tablero de servicio.
3. La instalación y la conexión eléctrica deben ser realizadas por personal calificado de acuerdo con todos los códigos y normas aplicables, incluso los relativos a la construcción ignífuga.
4. Para lograr una combustión adecuada y una extracción correcta de los gases a través de la salida del humo (chimenea) del equipo quemador de combustible — evitando así el contratiempo — es necesario disponer de aire suficiente. Siga las directrices del fabricante del equipo de material térmico y las normas de seguridad, como las que publica la NFPA (asociación de protección contra los incendios) y la ASHRAE (sociedad estadounidense de técnicos de calefacción, refrigeración y aire acondicionado) así como los códigos de los organismos responsables locales.
5. Al cortar o perforar la pared o el techo, procure no dañar el cableado eléctrico ni otras instalaciones ocultas.
6. Los ventiladores entubados siempre deben tener salida al exterior.
7. No use esta unidad con ningún otro control de velocidad con semiconductores.
8. Para reducir el riesgo de incendio, utilice sólo tuberías metálicas.
9. Este aparato debe conectarse a tierra y ha de estar protegido con un disyuntor.
10. Adecuado para lugares húmedos cuando se instala en un circuito de derivación PROTEGIDO CON UN DISYUNTOR.
11. Este aparato no está pensado para utilizarse con una parrilla de carbón.
12. Cuando una reglamentación local esta en vigor y conlleva exigencias de instalación y/o de certificación más estrictas, susodichas exigencias prevalecen sobre aquellas en este documento y el instalador acepta someterse a estas exigencias a sus gastos.

### **PARA REDUCIR EL RIESGO DE QUE ARDA LA GRASA EN LA PARTE SUPERIOR DE LA COCINA:**

- a) No deje nunca recipientes de cocina a fuego vivo sin vigilancia. Los desbordamientos producen humo y derrames grasientos que pueden inflamarse. Caliente el aceite despacio, a fuego lento o mediano.
- b) Ponga en marcha siempre la campana extractora al cocinar a temperaturas elevadas o al cocinar alimentos flameados (crepas Suzette, cerezas jubilee, res con pimienta flambeada).
- c) Limpie los ventiladores con frecuencia. No deje que la grasa se acumule en el ventilador, ni en los filtros o en los conductos de evacuación.
- d) Utilice cacerolas de tamaño apropiado. Emplee siempre un recipiente adecuado para el tamaño de la placa.

## **⚠ ADVERTENCIA**

### **PARA REDUCIR EL RIESGO DE LESIONES CORPORALES EN EL CASO DE QUE ARDA LA GRASA EN LA PARTE SUPERIOR DE LA COCINA, SIGA ESTAS INDICACIONES\*:**

1. SOFOQUE LAS LLAMAS con una tapa ajustada, una hoja o bandeja metálica para hornear galletas, y apague luego el quemador. **TENGA CUIDADO PARA EVITAR QUEMADURAS. SI LAS LLAMAS NO SE APAGAN INMEDIATAMENTE, EVACUE EL LUGAR Y LLAME A LOS BOMBEROS.**
2. **NO SUJETE NUNCA UNA SARTÉN EN LLAMAS** ya que podría quemarse.
3. **NO USE AGUA**, ni trapos húmedos. Podría causar una violenta explosión de vapor.
4. Utilice un extintor **SOLAMENTE** si:
  - A. Tiene un extintor de tipo ABC y sabe usarlo.
  - B. El incendio es pequeño y está circunscrito a la zona donde empezó.
  - C. Ya ha llamado a los bomberos.
  - D. Puede tratar de apagar el fuego si dispone siempre de una salida detrás de usted.

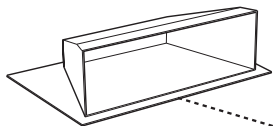
\* Fuente: "Kitchen Fire Safety Tips" publicado por la NFPA.

## **PRECAUCIÓN**

1. Sólo para ventilación general. No debe utilizarse para extraer materiales o vapores peligrosos o explosivos.
2. Para evitar daños en el cojinete del motor y que la hélice haga ruido o se desequilibre, mantenga la unidad de alimentación lejos de los vaporizadores de pirca, del polvo de la construcción, etc.
3. El motor de la campana tiene un dispositivo contra sobrecargas térmicas que apaga el motor automáticamente si éste se sobrecalienta. El motor volverá a ponerse en marcha cuando se enfríe. Si el motor sigue apagándose, haga examinar la campana.
4. Para que la campana capte bien las impurezas que se desprenden al cocinar, la distancia mínima entre la campana y la superficie de la cocina no debe ser inferior a 36 pulgadas.
5. Dado el peso y el tamaño de esta unidad, se aconseja que la instalen dos personas.
6. Para reducir los riesgos de incendio y extraer el aire debidamente, el aire debe evacuarse fuera. No extraiga el aire a espacios situados entre las paredes, en el techo o en el desván, falso techo o garaje.
7. Este producto está equipado con un termostato que puede poner en marcha el ventilador automáticamente. Para reducir el riesgo de que se produzcan daños y evitar poner en marcha la alimentación accidentalmente, apague la corriente en el tablero de servicio, bloquee este tablero o ponga una etiqueta de advertencia.
8. Para mayor información y conocer los requisitos, lea la etiqueta con las especificaciones en el producto.

# - SISTEMA DE LA CAMPANA DE COCINA DE LA SERIE WPD381 -

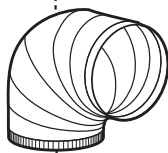
MODELO 437  
(REMATE DE TECHO DE ALTA CAPACIDAD)



MODELO 441  
(REMATE DE PARED DE 10" REDONDO)



MODELO 418  
(CODO AJUSTADO DE 10" REDONDO, OPCIONAL)



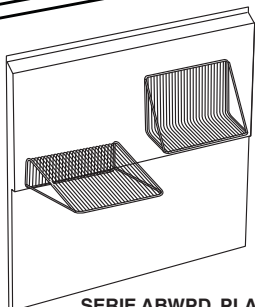
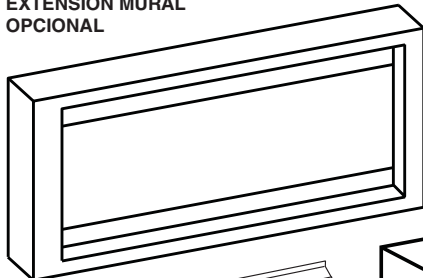
MODELO 410  
(CONDUCTO REDONDO DE 10", SECCIONES DE 2')



SERIE AEWPD, CHIMENEA DECORATIVA OPCIONAL

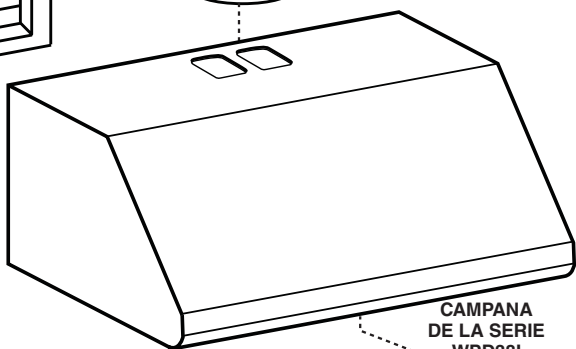


SERIE AWWPD, EXTENSIÓN MURAL OPCIONAL



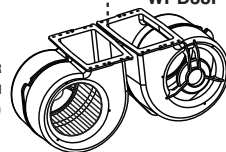
SERIE ABWPD, PLACA POSTERIOR OPCIONAL  
36"; 42" o 48" DE ANCHO  
(CUBIERTA PARA PARED DE ACERO INOXIDABLE CON ESTANTES PARA CALENTAMIENTO)

ADAPTADOR REDONDO DE 10"  
(VIENE CON LA CAMPANA)



CAMPANA DE LA SERIE WPD381

VENTILADOR DOBLE (VIENE CON LA CAMPANA)



# 1. INSTALACIÓN DE LAS TUBERÍAS Y DEL CABLEADO ELÉCTRICO

## PRECAUCIÓN

Esta campana está prevista para patios o terrazas exteriores cubiertos. Como ocurre con todos los aparatos eléctricos, se debe proteger esta campana todo lo posible de la intemperie.

## ⚠ ADVERTENCIA

Esta campana no está pensada para usar con una parrilla de carbón.

Planifique el lugar y la forma en que instalará las tuberías. Un tubo recto y corto permitirá que la campana funcione más eficazmente.

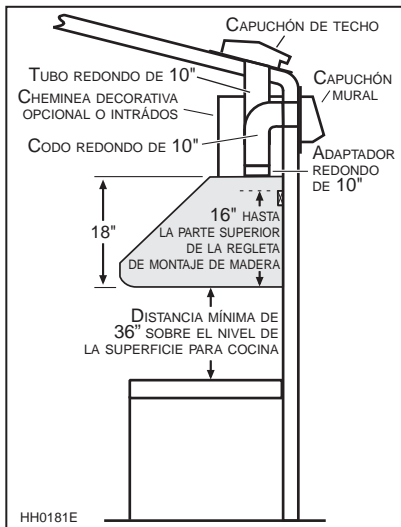
Instale tubos, codos y capuchones para tejado de los tamaños adecuados. Conecte la tubería metálica al capuchón y vaya retrocediendo hasta el lugar donde instalará la campana. Utilice cinta metálica de 2" para sellar las juntas.

Lleve un cable de alimentación de tres hilos hasta el lugar de la instalación.

## ⚠ ADVERTENCIA

El cable de alimentación debe ser un circuito de derivación protegido con un disyuntor.

Para que la campana capte bien las impurezas que se desprenden al cocinar, la distancia mínima entre la campana y la superficie de la cocina no debe ser inferior a 36 pulgadas.



# 2. PREPARACIÓN DE LA INSTALACIÓN

## ⚠ ADVERTENCIA

Se aconseja llevar anteojos y guantes de seguridad al instalar, reparar o limpiar la campana.

NOTA: Antes de comenzar la instalación, verificar el contenido de la caja. Si alguna pieza falta o está dañada, póngase en contacto con el fabricante.

Verifique que la caja contenga los siguientes elementos:

- Campana
- Regleta de madera (en la parte trasera de la campana)
- Manual de instalación
- Accesorios:
  - Filtros con manijas: 3 para el modelo de 36" de ancho, 4 para los modelos de 42" y de 48" de ancho y 5 para el modelo de 60" de ancho
  - Bombillas halógenas (120 V, 50 W máx., MR16 con base GU10) (2 para los modelos de 36" y de 42" de ancho, 3 para los modelos de 48" y 60" de ancho)
  - Adaptador redondo de 10" (dentro de la campana)
  - Bolsa con piezas: 3 conectores impermeables de hilos, 2 tornillos n.º 8 x 5/8"; 6 tornillos de cabeza hexagonal n.º 10 x 2", 4 tornillos de cabeza plana n.º 8 x 3/8" revestidos de zinc, 8 tornillos de acero inoxidable n.º 8 x 3/8"; 4 tuercas de acero inoxidable 10-32, 4 arandelas 3/16" DI x 3/4" DE

La bolsa debería incluir también las siguientes piezas que no deben usarse (deséchelas): 2 abrazaderas de hilos LP16-AP, 2 tornillos n.º 8 x 3/8" revestidos de zinc, 8 tornillos de acero inoxidable n.º 8 x 3/8"; 4 tuercas de acero inoxidable 10-32, 4 arandelas 3/16" DI x 3/4" DE

## 2. PREPARACIÓN DE LA INSTALACIÓN (CONTINUACIÓN)

Piezas vendidas aparte:

- Placa posterior para la serie ABWPD, 36" 42" o 48" de ancho (opcional)
- Chimenea decorativa para la serie AEWPD, se instala sobre la campana (opcional)
- Extensión mural para la serie AWWPD, 36", 42", 48" o 60" de ancho (opcional)
- Cambios de sección, tubos, codos, dispositivos de cierre, capuchones murales y de techo

Consulte la página 27 para ver la lista completa de opciones de aireación y los números de modelo.

NOTA: Proteja la encimera y la parte superior de la cocina durante la instalación.

## 3. INSTALACIÓN DE LA PLACA POSTERIOR (OPCIONAL)

**Serie ABWPD (sólo para campanas de 36", 42" y 48" de ancho)**

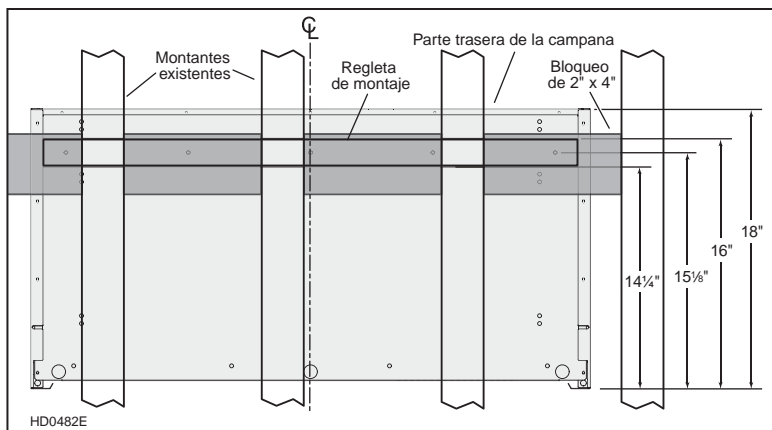
La placa posterior debe instalarse antes del revestimiento de la campana y de la extensión mural (si instalada), ya que éste cubre los tornillos superiores de montaje de la placa (vea las instrucciones que vienen con la placa posterior).

## 4. INSTALACIÓN DE LA REGLETA DE MONTAJE

### PRECAUCIÓN

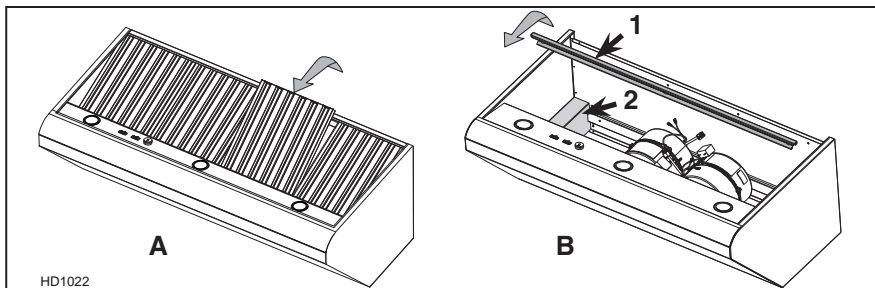
**Dado el peso de la campana, compruebe que la regleta de montaje esté sujeta a todos los montantes disponibles de la pared; no sujete la regleta sólo en el panel mural.**

1. Se necesita una estructura de apoyo adecuada para soportar el peso de la campana. Construya la estructura mural con madera de 2" x 4" como mínimo.
2. Marque la ubicación del centro de la campana.
3. Mida y marque sobre la pared una línea a nivel por encima de la superficie sobre la que se cocina para colocar la regleta de montaje (véase la ilustración de la página 28). Instale puntos de bloqueo de 2" x 4" entre los montantes donde pondrá la regleta. Consulte la ilustración abajo.
4. Saque la regleta de montaje de la parte trasera de la campana.
5. Coloque la regleta sobre la pared y fíjela a los montantes y puntos de bloqueo con los 4 tornillos de cabeza plana n.º 10 x 2" (incluidos en la bolsa de piezas).



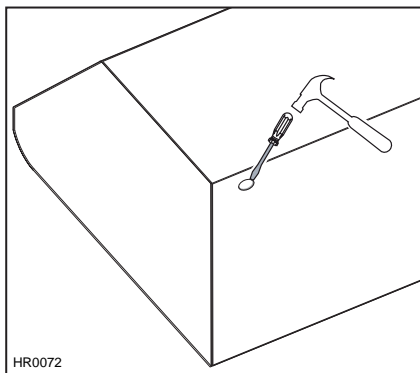
## 5. EXTRACCIÓN DE LOS FILTROS, DEL RIEL DE VERTIDO DE LA GRASA Y DE LA TAPA DE LA CAJA DE CABLEADO

- A.** Retire la cinta de los filtros.  
Saque los filtros de la campana y póngalos aparte.  
NOTA: Se aconseja empezar por el o los filtros centrales.
- B.** Retire la cinta del riel de vertido de la grasa (1). Saque el riel y póngalo aparte.  
Quite la tapa de la caja de cableado (2).



## 6. PERFORACIÓN DEL ORIFICIO

Quite el cierre del orificio para el cableado eléctrico en la parte trasera de la campana. Instale la abrazadera de hilos (viene en la bolsa de piezas).



## 7. INSTALACIÓN DEL ADAPTADOR

Saque el adaptador de la campana.  
Utilice 2 tornillos galvanizados n.º 8 x 3/8" de la bolsa de piezas para colocar el adaptador en la parte superior de la campana. Selle todas las juntas con cinta metálica para evitar las fugas de aire.



## 8. INSTALACIÓN DE LA EXTENSIÓN MURAL (OPCIONAL)

### Serie AWWPD

La extensión mural debe instalarse antes que la campana (vea las instrucciones que vienen con la extensión mural).

## 9. INSTALACIÓN DE LA CAMPANA

### PRECAUCIÓN

- Aunque no es recomendable, si los ventiladores deben ser retirados, reinstalarlos con la ayuda de las tuercas 10-32 incluidas en la bolsa de piezas (fuerza de torsión máxima de 20 libras).
- Sujete la campana hasta que esté bien fijada a la regleta de montaje.

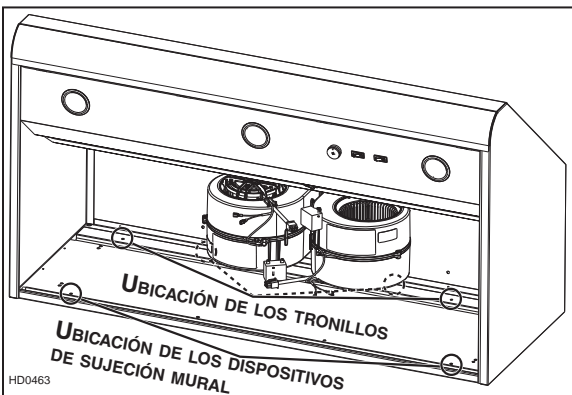
Introduzca el cableado en la campana (a través de la abrazadera de hilos instalada previamente en la etapa 6) y apriete la abrazadera para sujetar el cableado.

Ponga la parte trasera de la campana contra la regleta de montaje.

Sujete un tubo redondo de 10" al adaptador.

Fije la campana a la regleta de montaje con 4 tornillos de cabeza hexagonal n.º 10 x 2" (para la campana de 36" de ancho) o 6 tornillos (para las campanas de 42", 48" y 60").

Taladre a través de los orificios de la parte interior trasera de la campana indicados dos orificios de 3/16" en el panel mural para los dispositivos de sujeción mural. A continuación, instale ambos dispositivos de sujeción mural con los tornillos n.º 8 x 5/8" y con las arandelas provistas.



## 10. INSTALACIÓN DE LA CHIMENEA DECORATIVA (OPCIONAL)

### Serie AEWPD

Consulte las instrucciones que vienen con la chimenea decorativa.

## 11. CONEXIÓN DEL CABLEADO

### ⚠ ADVERTENCIA

**Riesgo de choque eléctrico. La conexión eléctrica debe hacerla personal competente con arreglo a los códigos y normas en vigor. Antes de conectar los hilos, corte la alimentación en el tablero de servicio y bloquee los medios de desconexión para impedir que la corriente se conecte accidentalmente.**

#### INSTRUCCIONES PARA LOS CONECTORES DE HILOS IMPERMEABLES:

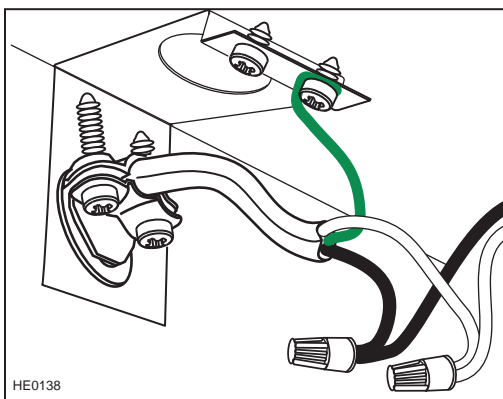
1. Pele 3/8 de pulg. de los hilos.
2. Junte las puntas peladas o conductores.
3. No las retuerza. Coloque los hilos pelados juntos, con los extremos a la misma altura. Si la parte pelada de uno de los hilos es más corta que la del otro, ponga ese hilo más alto.
4. Gire el conector sobre los hilos empujando firmemente hasta que quede bien apretado. NO apriete demasiado.
5. Al introducir los hilos en los conectores, puede que salgan restos de un producto para la obturación. Limpie el sobrante de este producto alrededor de los conductores. NO VUELVA UTILIZAR LOS CONECTORES.

## 11. CONEXIÓN DEL CABLEADO (CONTINUACIÓN)

Conecte el cable a la caja de cableado con los conectores impermeables de hilos.

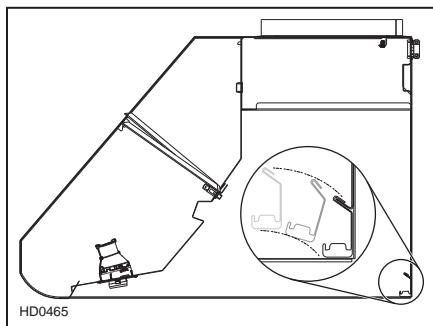
Conecte el hilo NEGRO con el NEGRO, el BLANCO con el BLANCO y sujete el VERDE o pelado al tornillo de tierra.

Vuelva a instalar la tapa de la caja de cableado.



## 12. REINSTALACIÓN DEL RIEL DE VERTIDO DE LA GRASA Y DE LOS FILTROS

Vuelva a instalar el riel de vertido de la grasa. La ilustración de la derecha muestra la manera de introducir el riel de vertido de la grasa en la campana.

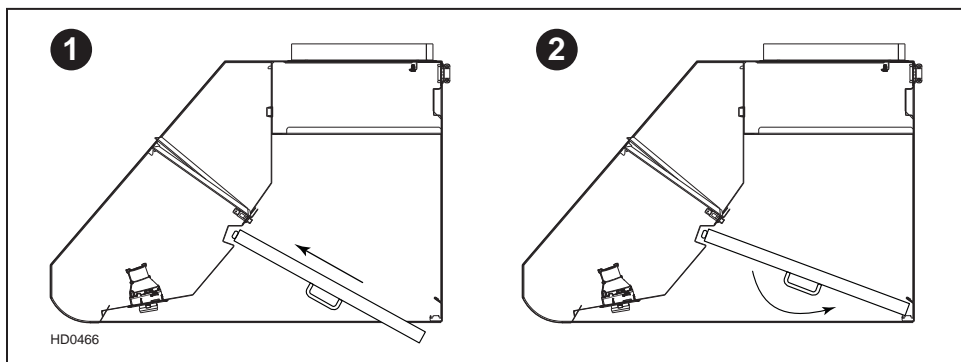


### PRECAUCIÓN

**Retire la película protectora de plástico que cubre los filtros antes de instalarlos.**

Se aconseja instalar primero los filtros de los lados y, por último, el o los del centro.

- 1 Introduzca un extremo del filtro en la ranura superior de la campana.
- 2 Levante el otro extremo hacia el interior de la campana e introdúzcalo en el riel de vertido de la grasa.





## 13. SUSTITUCIÓN DE LAS BOMBILLAS

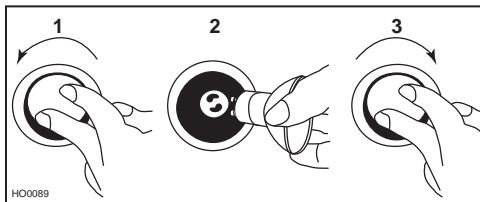
Esta campana debe utilizar bombillas halógenas protegidas de tipo MR16, de 120 V y 50 W con base GU10 (incluidas). (2 para los modelos de 36" y de 42" de ancho, 3 para los modelos de 48" y 60" de ancho.)

### ⚠ ADVERTENCIA

**No tocar las bombillas durante o justo después de la utilización. Pueden causar quemaduras. Para prevenir el riesgo de lesiones corporales, instale solamente bombillas halógenas protegidas. Nunca instalar una bombilla dicroica o no concebida para luminarias empotradas o bombillas identificadas sólo para uso en dispositivos encerrados.**

1. Para quitar las bombillas, empuje suavemente hacia arriba y gire en sentido antihorario para liberar el casquillo de sus ranuras.

NOTA: Para facilitar la extracción de los bombillos utilice un guante de caucho o una ventosa disponible en Best. Para encargarla, telefónee al servicio de apoyo técnico de Best en el 1-800-558-1711 (n.º de pieza: S99526707).



2. Instale las bombillas nuevas colocando los casquillos de las bombillas en sus ranuras, en los portalámparas.

3. Empuje suavemente hacia arriba y gire al mismo tiempo en el sentido horario hasta que queden bien afianzadas.

## 14. CUIDADO

### Filtros

Los filtros deben limpiarse con frecuencia. Utilice una disolución de detergente con agua templada. Lávelos con mayor frecuencia si su tipo de cocina genera más grasa (alimentos fritos o cocina con wok). Retire los filtros empujándolos hacia la parte delantera de la campana y girándolos hacia abajo. Las placas de los filtros pueden lavarse en el lavavajillas. Deje que los filtros sequen completamente antes de volver a instalarlos en la campana.

Limpie los filtros totalmente metálicos en el lavavajillas con un detergente sin fosfato. El filtro podría descolorarse si se utiliza un detergente con fosfato o debido al tipo de agua, pero esto no afecta su funcionamiento. Este descoloramiento no está cubierto por la garantía.

### Riel de vertido de la grasa

El riel debe limpiarse con frecuencia. Sáquelo de la campana y límpielo con una disolución de detergente con agua. Lávelo con mayor frecuencia si su tipo de cocina genera más grasa (alimentos fritos o cocina con wok). Deje que el riel seque completamente antes de volver a instalarlo en la campana.

### Limpieza de los ventiladores

Retire los filtros para tener acceso los ventiladores. Limpie los ventiladores con un aspirador. No los sumerja en agua.

### Limpieza de la campana

Acero inoxidable:

#### Debe hacerse:

- Limpiar regularmente las superficies con un trapo limpio humedecido con una mezcla de agua templada y jabón suave o detergente para la vajilla.
- Limpiar siempre en la dirección de las líneas originales de pulido del acero.
- Enjuagar siempre con agua limpia (2 o 3 veces) después de limpiar. Seque completamente.
- También puede utilizar un limpiador doméstico especial para acero inoxidable.

#### No debe hacerse:

- Utilizar un estropajo de acero o acero inoxidable u otro tipo de rasquetas para quitar la suciedad resistente.
- Utilizar limpiadores fuertes o abrasivos.
- Dejar que la suciedad se acumule.
- Dejar que el polvo del yeso u otros residuos de la construcción manchen la campana. Si efectúa obras de construcción o renovación, cubra la campana para que no se manche la superficie de acero inoxidable.

## 14. CUIDADO (CONTINUACIÓN)

### Al escoger un detergente, evite:

- Los limpiadores que contienen **blanqueador** (lejía), ya que dañarán el acero inoxidable.
- Los productos que contengan **cloruro**, **fluoruro**, **yoduro** y **bromuro**, ya que deterioran las superficies rápidamente.
- Los productos combustibles que se emplean para la limpieza, como **acetona**, **alcohol**, **éter**, **benzol**, etc., ya que son altamente explosivos y nunca deberían estar cerca de una cocina.

## 15. FUNCIONAMIENTO

### VENTILADOR

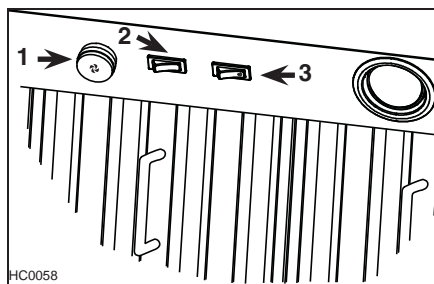
El ventilador se maneja con dos controles.

Utilice el interruptor oscilante (2) para poner en marcha y detener el ventilador. Al ponerlo en marcha, el interruptor se ilumina en rojo y el ventilador funciona a la velocidad que se haya elegido con el botón de control de velocidad (1).

Gire el botón de control de velocidad en el sentido de las agujas del reloj para incrementar la velocidad del ventilador y en sentido contrario para disminuirla.

### LUCES (HALÓGENAS)

Utilice el interruptor oscilante (3) para encender y apagar las luces halógenas.



1) BOTÓN DE CONTROL DE VELOCIDAD DEL VENTILADOR

2) INTERRUPTOR DEL VENTILADOR

3) INTERRUPTOR DE LAS LUCES HALÓGENAS

### HEAT SENTRY™

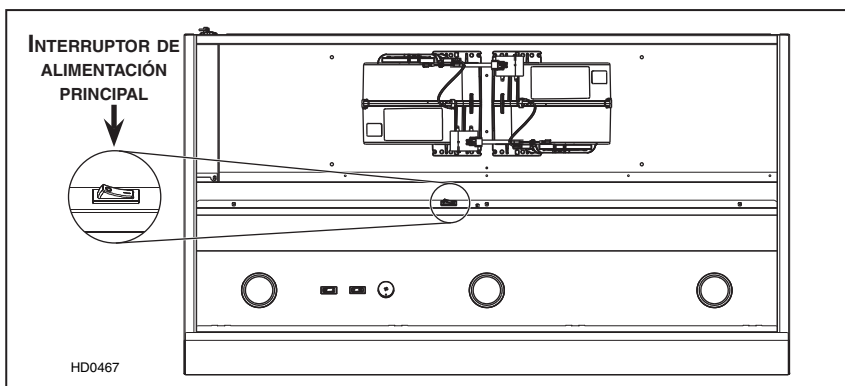
Esta campana está equipada con un termostato Heat Sentry™. Este dispositivo pone en marcha el ventilador cuando detecta un calor excesivo por encima de la superficie sobre la que se cocina.

- 1) Si el ventilador está apagado, se pondrá en marcha en la última velocidad que se haya seleccionado.
- 2) Si el ventilador ya está funcionando, la velocidad no cambiará.

### ⚠ ADVERTENCIA

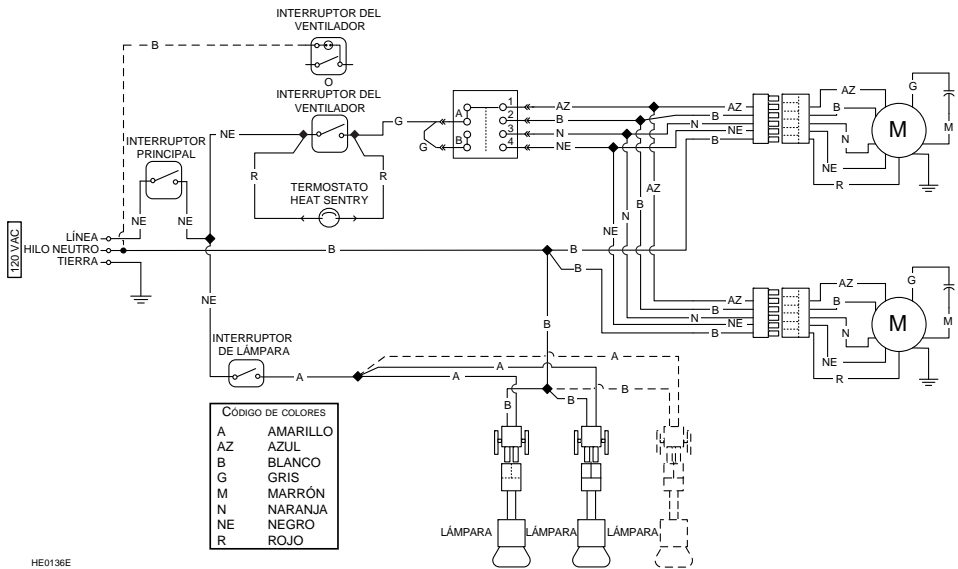
**El termostato HEAT SENTRY puede poner en marcha el ventilador cuando sobre la cocina hay fuego u otra fuente de calor excesiva, incluso si la campana está apagada. En tal caso, es imposible apagar el ventilador con el interruptor. Para apagarlo, utilice el interruptor de alimentación principal situado detrás de los filtros, si puede hacerlo de manera segura.**

Cuando la temperatura baje a un nivel normal, el ventilador volverá a su configuración original.



HD0467

# 16. DIAGRAMA ELÉCTRICO



# 17. GARANTÍA

## GARANTÍA LIMITADA DE UN AÑO DE LOS PRODUCTOS BEST

Broan-NuTone LLC (Broan-NuTone) garantiza al consumidor comprador original de Best productos que dichos productos carecerán de defectos en materiales o en mano de obra por un período de un año a partir de la fecha original de compra. NO EXISTEN OTRAS GARANTÍAS, EXPRESAS O IMPLÍCITAS, INCLUYENDO, PERO NO LIMITADAS A, GARANTÍAS IMPLÍCITAS DE COMERCIALIZACIÓN O ACTITUD PARA UN PROPOSITO PARTICULAR.

Durante el período de un año, y a su propio criterio, Broan-NuTone reparará o reemplazará, sin costo todo producto o pieza que se encuentre defectuosa bajo condiciones normales de servicio y uso.

ESTA GARANTÍA NO SE APLICA A LOS CEBADORES, TUBOS, BOMBILLAS HALÓGENAS Y INCANDESCENTES, A LOS FUSIBLES, FILTROS, TUBOS, CAPUCHONES PARA TEJADOS, CAPUCHONES MURALES Y OTROS ACCESORIOS DE CANALIZACIÓN.

Esta garantía no cubre (a) mantenimiento y servicios normales o (b) cualquier productos o piezas que hayan sido mantenidas o reparadas inapropiadamente (por otras compañías que sea Broan-NuTone), instalación defectuosa, o instalación no conforme a las instrucciones de instalación recomendadas.

La duración de cualquier garantía implícita se limita a un periodo de un año como se especifica en la garantía expresa. Algunos estados o provincias no permiten limitaciones en cuanto al tiempo de expiración de una garantía implícita, por lo que la limitación antes mencionada puede no aplicarse a usted.

**LA OBLIGACIÓN DE BROAN-NUTONE DE REPARAR O REEMPLAZAR, SIGUIENDO EL CRITERIO DE BROAN-NUTONE DEBERÁ SER EL ÚNICO Y EXCLUSIVO RECURSO LEGAL DEL COMPRADOR BAJO ESTA GARANTÍA. BROAN-NUTONE NO SERÁ RESPONSABLE POR DAÑOS ACCIDENTALES, CONSIGUIENTES, O POR DAÑOS ESPÉCIALES SURGIDOS O EN CONEXIÓN CON EL USO O EL RENDIMIENTO DEL PRODUCTO. Algunos estados o provincias no permiten la exclusión o limitación de daños accidentales o consiguientes, por lo que la limitación antes mencionada puede no aplicarse a usted.**

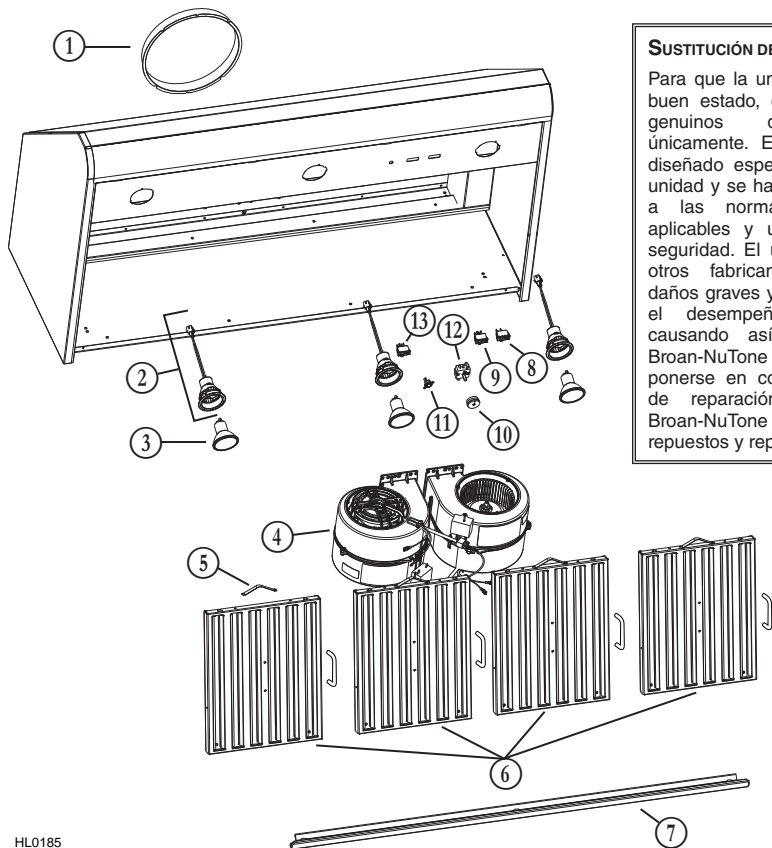
Esta garantía le proporciona derechos legales específicos, y usted puede también tener otros derechos, los cuales varían de estado a estado o de provincia a provincia. Esta garantía reemplaza todas las garantías anteriores. Para calificar en el servicio de garantía, usted debe (a) notificar a Broan-NuTone a la dirección o teléfono que se menciona abajo, (b) dar el número del modelo y la identificación de la pieza y (c) describir la naturaleza de cualquier defecto en el producto o pieza. En el momento de solicitar servicio cubierto por la garantía, usted debe presentar evidencia de la fecha original de la compra.

**En los Estados Unidos - Best®**, 926 W. State Street, Hartford, WI 53027 (800-558-1711)

**En Canadá - Best®**, 550 boul. Lemire, Drummondville, QC, Canada, J2C 7W9 (866-737-7770)

www.BestRangeHoods.com

# 18. PIEZAS



## SUSTITUCIÓN DE PIEZAS Y REPARACIÓN

Para que la unidad se conserve en buen estado, debe usar repuestos genuinos de Broan-NuTone únicamente. Estas piezas se han diseñado especialmente para cada unidad y se han fabricado conforme a las normas de certificación aplicables y un elevado nivel de seguridad. El uso de repuestos de otros fabricantes podría causar daños graves y reducir radicalmente el desempeño de la unidad, causando así fallas prematuras. Broan-NuTone también aconseja ponerse en contacto con un taller de reparación homologado por Broan-NuTone para todos los repuestos y reparaciones.

HL0185

N.º REF.	N.º PIEZA	DESCRIPCIÓN	CTD (ANCHURA DE CAMPANA)			
			36"	42"	48"	60"
1	SV08541	ADAPTADOR REDONDO DE 10"	1	1	1	1
2	SV16569	CONJUNTO DE LAMPÁRA	2	2	3	3
3	SV05921	BOMBILLA HALÓGENA (120 V, 50 W, BASE GU10)	2	2	3	3
4	SV08582	VENTILADOR	2	2	2	2
5	SV08337	RESORTE DEL FILTRO	3	3	4	5
6	SV60675	FILTROS 11.84" x 15.125" (MANIJA Y RESORTE INCLUIDOS)	3	2	4	5
	SV60716	FILTROS 8.84" x 15.125" (MANIJA Y RESORTE INCLUIDOS)		2		
7	SV60695	RIEL DE VERTIDO DE LA GRASA 36"	1			
	SV64678	RIEL DE VERTIDO DE LA GRASA 42"		1		
	SV60696	RIEL DE VERTIDO DE LA GRASA 48"			1	
	SV60697	RIEL DE VERTIDO DE LA GRASA 60"				1
8	SV02563	INTERRUPTOR OSCILANTE DE LA LUZ	1	1	1	1
9	SV03503	INTERRUPTOR OSCILANTE DEL VENTILADOR	1	1	1	1
10	SV08549	BOTÓN DEL VENTILADOR	1	1	1	1
11	SV03435	TERMOSTATO HEAT SENTRY™	1	1	1	1
12	SV21722	CONTROL DE LA VELOCIDAD	1	1	1	1
13	SV08548	INTERRUPTOR DE ALIMENTACIÓN PRINCIPAL	1	1	1	1
*	SV05869	LOGO DE BEST	1	1	1	1
*	SV20569	GUÍA DE INSTALACIÓN	1	1	1	1
*	SV04216	BOLSA DE PIEZAS: 3 CONECTORES IMPERMEABLES DE HILOS, 2 TORNILLOS N.º 8 x 5/8", 6 TORNILLOS DE CABEZA HEXAGONAL N.º 10 x 2", 4 TORNILLOS DE CABEZA PLANA N.º 10 x 2", 2 SUJECIONES MURALES, 6 ARANDELAS DE 3/16" DI x 3/4" DE, 4 TUERCAS DE ACERO INOXIDABLE 10-32, 2 ABRAZADERAS DE HILOS LP16-AP, 2 TORNILLOS N.º 8 x 3/8" REVESTIDOS DE ZINC, 8 TORNILLOS DE ACERO INOXIDABLE N.º 8 x 3/8"	1	1	1	1

\* NO SE MUESTRA