



Exclusive PURLED™ light system boosts light output by 25%, distributes light six times better and improves energy efficiency by 88%.

Two ultra-efficient hybrid baffle filters, easy to clean, for optimal grease removal.

Choice of standard white, grey and black glass colors or interchangeable optional color panels to help you personalize your kitchen décor.

#### Model Numbers:

ICB3I36SBB  
Black

ICB3I36SBS  
Grey

ICB3I36SBW  
White

ICB3I36SBN  
No Glass

#### Hood Sizes

<b>Width</b>	<b>36"</b>
<b>Depth</b>	<b>22"</b>

#### Finish

Stocked	Brushed Stainless Steel with white, black or grey glass
---------	---

#### Features

Lighting Type	PURLED™, 5.5 watts each, 1100 Lumens, 3000K
Number of Lamps	2
Lighting Levels	3
Lighting Lamps Included	Yes
Control Type	4-speed Soft Touch
Control Features	Heat Sentry™, Delay-off
Remote Control	Optional ACR3
Filter Type	Hybrid Baffle
Non-ducted Capability	No

#### Hood Blower Included

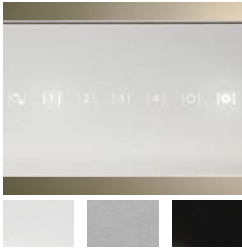
Internal	
Blower CFM	230/600
Sones Low/High	1.2/10.0

#### Accessories

10' Flue Extension	AEICB3SB
Glass Panels	White, Grey, Black, Emerald, Lime, Orange, Purple, Red

#### Installation Requirements

Amps @ 120V: Internal Blower	3.3
Electrical Connection	Plug In
Duct Size: Internal Blower	8" Round
Duct Direction	Vertical



Four-speed soft touch controls sit behind white, grey, black or optional glass panels to match appliance finishes or complement your kitchen décor.



PURLED™ light system boosts light output, distributes light better and improves energy efficiency.



Hybrid baffle filters provide ultra-efficient grease removal and superior air flow.

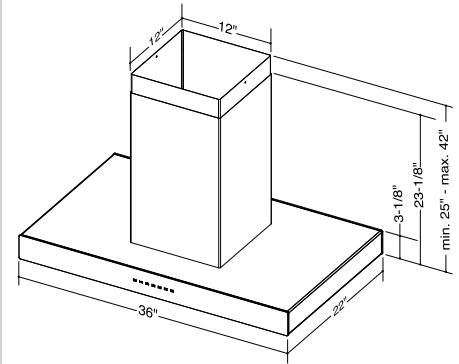


Optional ACR3 remote control lets the busy cook stay in control from anywhere in the kitchen.

#### Glass colors coming in summer 2019



Emerald, Lime, Orange, Purple, Red



Installation height above the cooking surface: 24"-36"

Telescopic flue for 8'-9' ceiling is standard. Optional flue extension for 10' ceiling

For more details see the product specifications sheet found at [www.BESTRangeHoods.com](http://www.BESTRangeHoods.com)



If needed, ask a recommended installer to limit discharge to 300 CFM.

