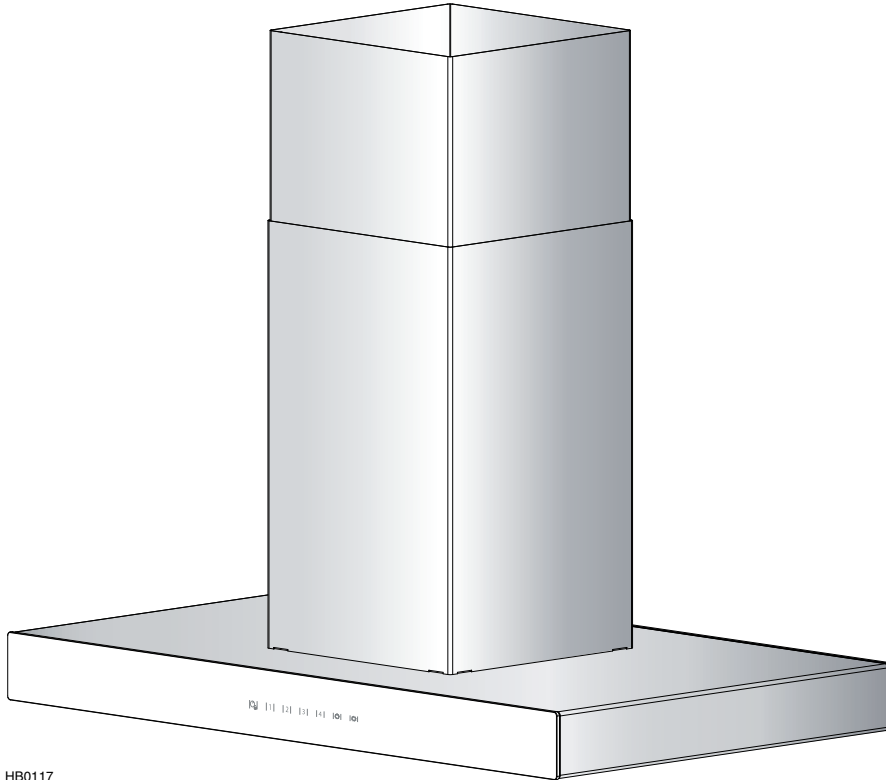


# best®



HB0117

## ICB3I SERIES

⚠ INTENDED FOR DOMESTIC COOKING ONLY ⚠

**READ AND SAVE THESE INSTRUCTIONS**

INSTALLER: LEAVE THIS MANUAL WITH HOMEOWNER.  
HOMEOWNER: USE AND CARE INFORMATION ON PAGES 12 TO 14.

BEST; Hartford, Wisconsin [www.BestRangeHoods.com](http://www.BestRangeHoods.com) 800-558-1711  
BEST; Drummondville, QC, Canada [www.BestRangeHoods.ca](http://www.BestRangeHoods.ca) 866-737-7770



## **⚠ WARNING**

---

### **TO REDUCE THE RISK OF FIRE, ELECTRIC SHOCK OR INJURY TO PERSONS, OBSERVE THE FOLLOWING:**

1. Use this unit only in the manner intended by the manufacturer. If you have questions, contact the manufacturer at the address or telephone number listed in the warranty.
2. Before servicing or cleaning unit, switch power off at service panel and lock service disconnecting means to prevent power from being switched on accidentally. When the service disconnecting means cannot be locked, securely fasten a prominent warning device, such as a tag, to the service panel.
3. Installation work and electrical wiring must be done by qualified personnel in accordance with all applicable codes and standards, including fire-rated construction codes and standards.
4. Sufficient air is needed for proper combustion and exhausting of gases through the flue (chimney) of fuel burning equipment to prevent backdrafting. Follow the heating equipment manufacturer's guidelines and safety standards such as those published by the National Fire Protection Association (NFPA) and the American Society for Heating, Refrigeration and Air Conditioning Engineers (ASHRAE) and the local code authorities.
5. When cutting or drilling into wall or ceiling, do not damage electrical wiring and other hidden utilities.
6. Ducted fans must always be vented outdoors.
7. Do not use this unit with any additional solid-state speed control device.
8. To reduce the risk of fire, use only metal ductwork.
9. This unit must be grounded.
10. All tempered glass can experience spontaneous breakage. If broken, tempered glass falls out of its opening in interlocking clumps. Tempered glass can, on occasion, break into large shards rather than the classic tiny piece pattern.
11. When applicable, local regulations comprise more restrictive installation and/or certification requirements, the aforementioned requirements prevail on those of this document and the installer agrees to conform to these at his own expense.

### **TO REDUCE THE RISK OF A RANGE TOP GREASE FIRE:**

- a) Never leave surface units unattended at high settings. Boilovers cause smoking and greasy spillovers that may ignite. Heat oils slowly on low or medium settings.
- b) Always turn hood ON when cooking at high heat or when flambeing food (i.e.: Crêpes Suzette, Cherries Jubilee, Peppercorn Beef Flambé).
- c) Clean ventilating fans frequently. Grease should not be allowed to accumulate on fan, filters or in exhaust ducts.
- d) Use proper pan size. Always use cookware appropriate for the size of the surface element.

## **⚠ WARNING**

---

### **TO REDUCE THE RISK OF INJURY TO PERSONS IN THE EVENT OF A RANGE TOP GREASE FIRE, OBSERVE THE FOLLOWING\*:**

1. SMOTHER FLAMES with a close-fitting lid, cookie sheet or metal tray, then turn off the burner. BE CAREFUL TO PREVENT BURNS. IF THE FLAMES DO NOT GO OUT IMMEDIATELY, EVACUATE AND CALL THE FIRE DEPARTMENT.
2. NEVER PICK UP A FLAMING PAN — You may be burned.
3. DO NOT USE WATER, including wet dishcloths or towels — This could cause a violent steam explosion.
4. Use an extinguisher ONLY if:
  - A. You own a Class ABC extinguisher and you know how to operate it.
  - B. The fire is small and contained in the area where it started.
  - C. The fire department has been called.
  - D. You can fight the fire with your back to an exit.

\* Based on "Kitchen Fire Safety Tips" published by NFPA.

## **CAUTION**

---

1. For indoor use only.
2. For general ventilating use only. Do not use to exhaust hazardous or explosive materials and vapors.
3. To avoid motor bearing damage and noisy and/or unbalanced impellers, keep drywall spray, construction dust, etc. off power unit.
4. Your hood motor has a thermal overload which will automatically shut off the motor if it overheats. The motor will restart when it cools down. If the motor continues to shut off and restart, have the hood serviced.
5. The hood distance above cooktop must not be less than 30". A maximum of 36" above cooktop is highly recommended for best capture of cooking impurities.
6. Two installers are recommended because of the large size and weight of this unit.
7. To reduce the risk of fire and to properly exhaust air, be sure to duct air outside — Do not exhaust air into spaces within walls or ceiling or into attics, crawl space or garage.
8. Because of the high exhausting capacity of this unit, you should make sure enough air is entering the house. Open a window close to or in the kitchen.
9. To reduce the risk of fire and electrical shock, the Best ICB31 Series models should only be installed with their own built-in blower.
10. Please read specification label on product for further information and requirements.
11. This hood is equipped with an RF receiver. See next page for related warning.

## ⚠ WARNING

This hood is equipped with a RF receiver (optional remote control sold separately). Changes or modifications not expressly approved by the party responsible for compliance could void the user's authority to operate this product. The remote control has been tested and found to comply with the limits for a Class B digital device, pursuant to part 15 of the FCC Rules and the Canadian ICES-003. These limits are designed to provide reasonable protection against harmful interference in a residential installation. The remote control generates, uses and can radiate radio frequency energy and, if not installed and used in accordance with the instructions, may cause harmful interference to radio communications. However, there is no guarantee that interference will not occur in a particular installation. If this equipment does cause harmful interference to radio or television reception, which can be determined by turning the equipment off and on, the user is encouraged to try to correct the interference by one or more of the following measures:

- Reorient or relocate the receiving antenna
- Increase the separation between the equipment and receiver
- Connect the equipment into an outlet on a circuit different from that to which the receiver is connected

## TABLE OF CONTENTS

1.	INSTALL DUCTWORK .....	3
2.	PREPARE INSTALLATION .....	4
3.	MEASURE INSTALLATION .....	4
4.	INSTALL MOUNTING BRACKET .....	5
5.	ASSEMBLE ANGLE BRACKETS.....	6
6.	REMOVE HYBRID FILTERS.....	7
7.	INSTALL GLASS PANELS (SBN MODEL ONLY).....	7
8.	PREPARE HOOD (ALL MODELS) .....	8-9
9.	INSTALL HOOD .....	9-10
10.	CONNECT WIRING .....	11
11.	REINSTALL HYBRID FILTERS .....	11
12.	LED LIGHTING .....	12
13.	CARE .....	12
14.	OPERATION.....	13-14
15.	WIRING DIAGRAM.....	14
16.	SERVICE PARTS .....	15
17.	WARRANTY .....	16

## 1. INSTALL DUCTWORK

Plan where and how the ductwork will be installed.

A straight, short duct run will allow the hood to perform most efficiently.

Install proper-sized ductwork, elbows and roof cap. Connect metal ductwork to cap and work back towards the hood location. Use 2" metal foil duct tape to seal the joints.

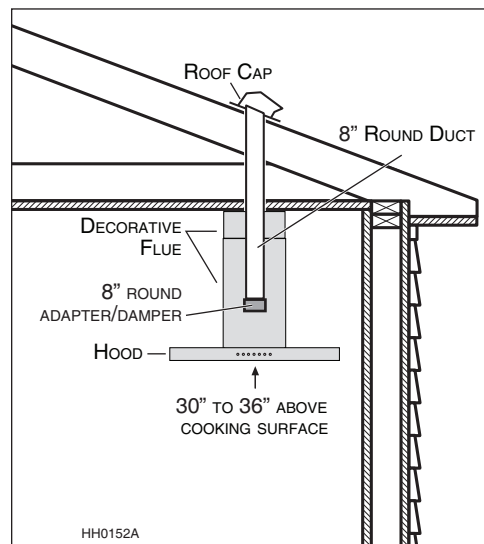
Run 3-wire power supply cable to installation location.

**We recommend to install the hood at a minimum distance of 30" above cooking surface. A maximum of 36" above cooktop is highly recommended for best capture of cooking impurities.**

CEILING HEIGHT	8 FEET	9 FEET	10 FEET*
MINIMUM DISTANCE RECOMMENDED ABOVE COOKTOP	30 IN.	30 IN.	30 IN.
MAXIMUM RECOMMENDED HEIGHT	34 IN.	36 IN.	36 IN.

Distances over 36" are at the installer and users discretion.

\* 10-ft. ceilings require 10-ft flue extension, part no. AEICB3SB (stainless steel) or no. AEICB3BLS (black stainless steel) (sold separately).



## 2. PREPARE INSTALLATION

### ⚠ WARNING

When performing installation, servicing or cleaning the unit, it is recommended to wear safety glasses and gloves.

NOTE: Before proceeding to the installation, check the contents of the box. If items are missing or damaged, contact the manufacturer.

Make sure that the following items are included:

- Hood
- Accessories
  - Decorative flue assembly (lower and upper flues)
  - 2 Hybrid filters
  - 1 Ceiling mounting bracket (screwed on top of the hood)
  - 8 Angle brackets
  - 8" Round adapter/damper (in a separate box)
  - Bag of parts (taped on the blower box) including: 2 wire connectors, 1 wire clamp, 8 no. 10 x 1½" wood screws, 8 steel washers, 10 no. 8 x 3/8" quadrex screws, 17 no. 10-32 flanged locknuts, 50 x 10-32 x 1/2" quadrex hex head screws, 2 no. 8 x 1/2" low profile Phillips screws, 2 no. 8 x 1/2" quadrex black screws.

Parts sold separately:

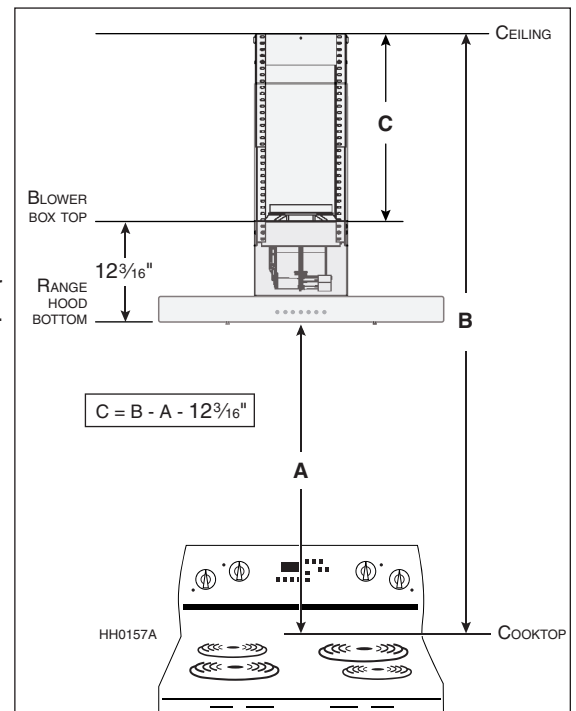
- Ducts, elbows, wall and roof caps.
- Optional flue extension for 10-ft. ceilings model no. AEICB3SB (stainless steel) or no. AEICB3BLS (black stainless steel).
- Optional remote control (model no. ACR3).
- Glass panels for ICB3I36SBN model (see replacement parts list).

NOTE: During installation, protect countertop and/or cooktop.

## 3. MEASURE INSTALLATION

Determine the required distance between the ceiling and the top of the blower box (C) based upon ceiling height (B) and desired height of hood above cooktop (A).

NOTE:  $C = B - A - 12\ 3/16"$

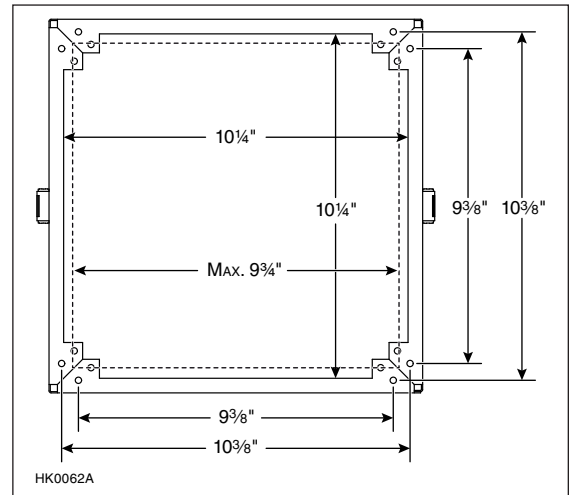


## 4. INSTALL MOUNTING BRACKET

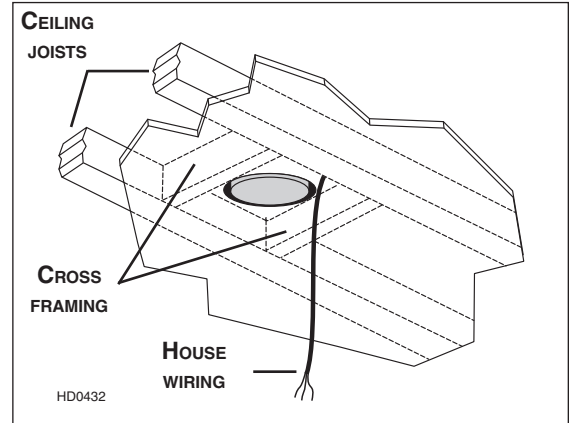
### ⚠ WARNING

When building framework, always follow all applicable construction codes and standards.

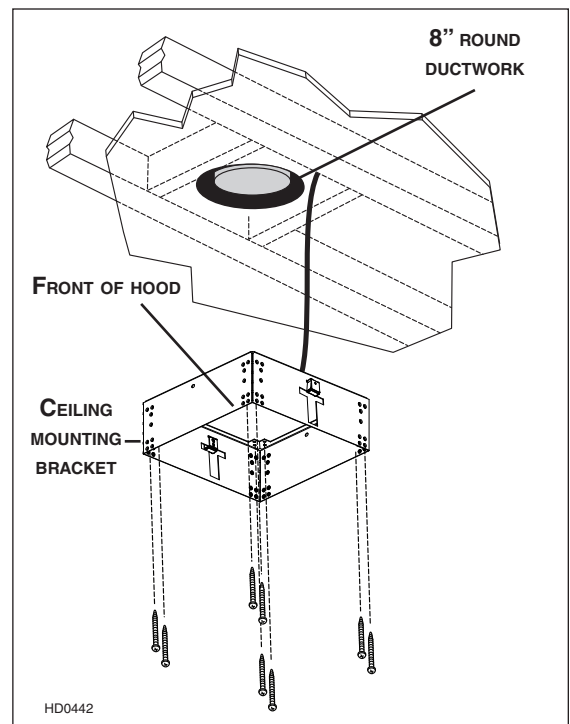
1. Modify ceiling structure over hood location. Install 2" x 4" cross framing between ceiling joists using ceiling mounting bracket dimensions shown at right. The framework must be sized to support the total weight of the hood and should not be larger than 9¾" x 9¾".



2. Finish ceiling surface, making sure the ceiling is level in all direction. Be sure to mark the location of the ceiling joists and cross framing. Bring house wiring through finished ceiling.

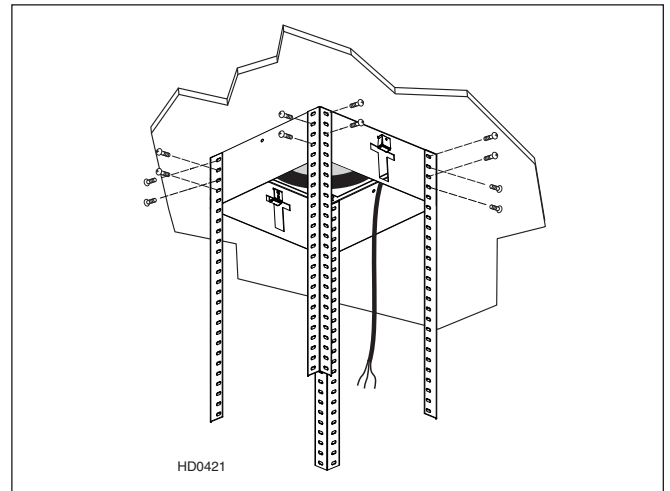


3. Remove both screws retaining the ceiling mounting bracket to the top of the hood. Discard screws. **Position the mounting bracket in such a way that one of the sides without a "T" will be facing the front of the hood.** Secure mounting bracket to the ceiling using 8 no. 10 x 1½" wood screws (2 on each corner). Make sure screws are driven into the center of the framing for maximum strength.



## 5. ASSEMBLE ANGLE BRACKETS

1. Assemble 4 angle brackets to the ceiling mounting bracket using 16 no.10-32 x 1/2" quadrex screws (4 per angle bracket).

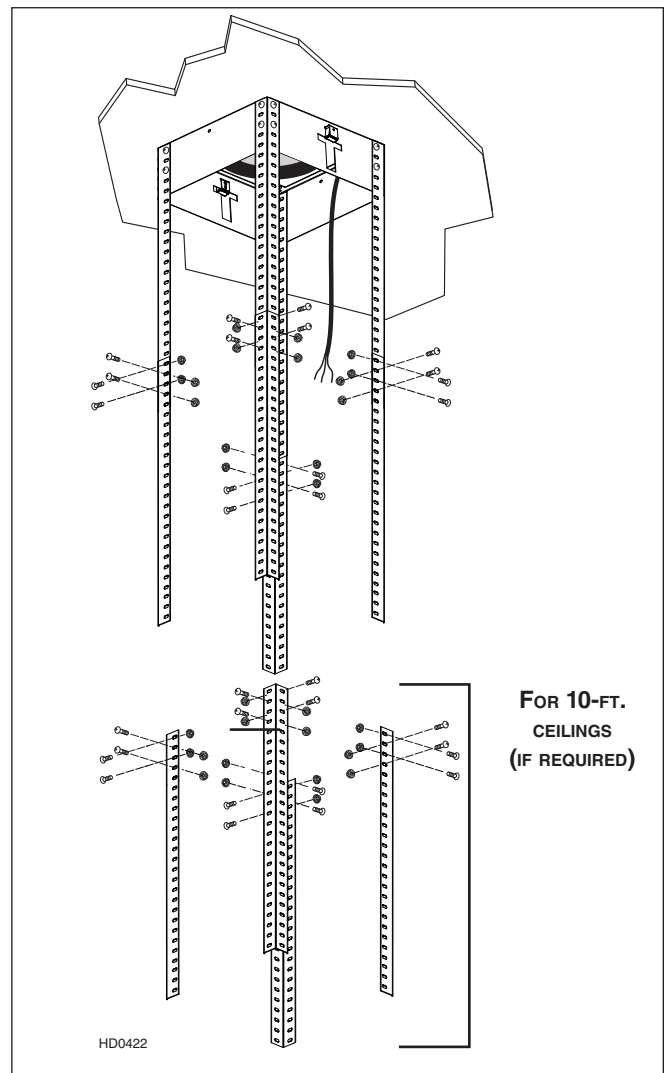


2. Determine angle brackets length based upon ceiling height and desired height of hood above cooktop. If required, assemble a second set of 4 angle brackets to the upper angle bracket set according to the length needed. Use 16 no. 10-32 x 1/2" quadrex screws and 16 no. 10-32 lock nuts (4 at each angle bracket connection).

### **FOR 10-FT. CEILINGS**

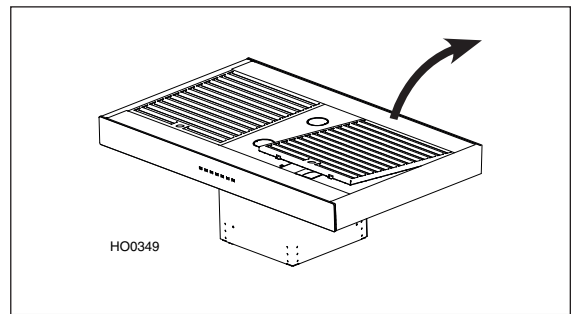
Both lower and upper flues are included with the hood, but for a 10-ft. ceiling, discard the provided upper flue and use the optional extension flue, part AEICB3SB (stainless steel) or AEICB3BLS (black stainless steel) (sold separately). Four additional angle brackets and additional mounting hardware are included with the optional flue extension.

If need be, assemble a third set of 4 angle brackets to the second angle bracket set according to the length needed. Use 16 no. 10-32 x 1/2" quadrex screws and 16 no. 10-32 lock nuts (4 at each angle bracket connection).



## 6. REMOVE HYBRID FILTERS

Rest the range hood on a table. Protect the table to avoid damaging it. Remove tape on filters. Lift filters by pushing them towards the back of the hood (opposite to control side) and flip, then set filters aside.



## 7. INSTALL GLASS PANELS (SBN MODEL ONLY)

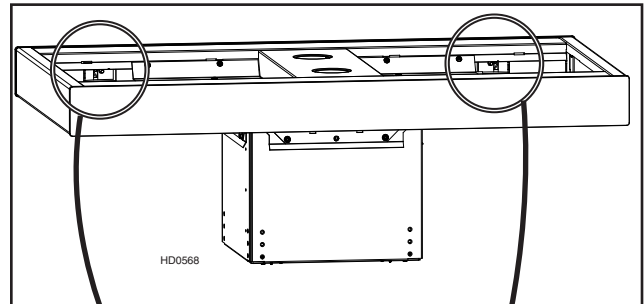
The SBN hood model decorative glass panels are sold separately and have to be installed before completing the hood installation.

1. Carefully remove glass panel from its packaging. Remove glass panel nuts (factory installed) from both studs and set aside.

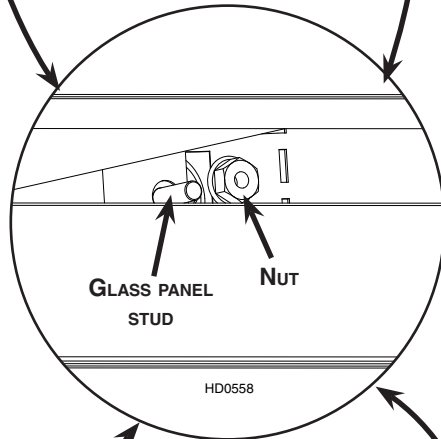
2. Insert glass panel studs in appropriate hood holes.

NOTE: Install the glass panel with the control pictograms on the front of the hood.

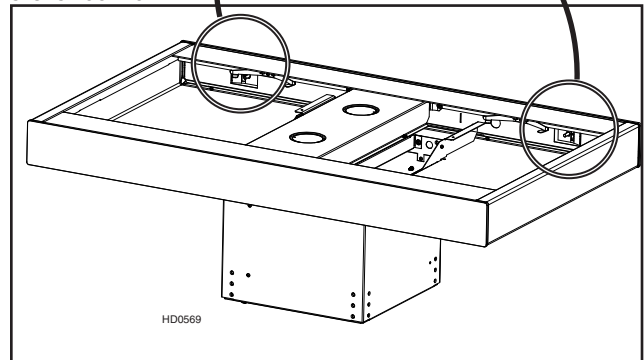
FRONT GLASS PANEL  
STUDS LOCATION



3. While holding glass panel, pre-tighten the previously removed nuts by hand. Ensure glass panel is centered. Then, using a 3/8" socket, tighten nuts completely.



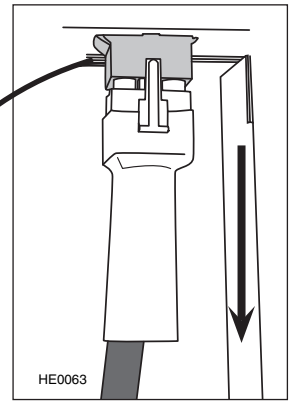
REAR GLASS PANEL  
STUDS LOCATION



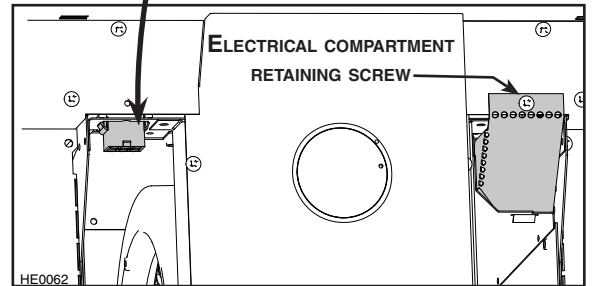
4. Repeat the same steps for the second glass panel installation.

## 8. PREPARE HOOD (ALL MODELS)

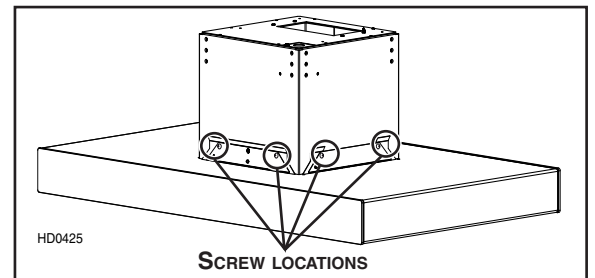
1. From inside the hood, disconnect the blower.



2. Remove the electrical box cover retaining screw. Set cover and screw aside.

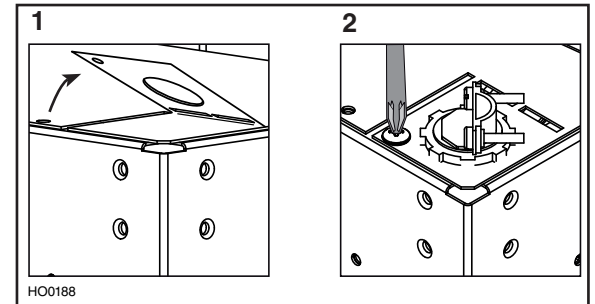


3. Turn the hood over and remove blower box 8 retaining screws (only 4 out of 8 screws illustrated at right). Set hood and screws aside.

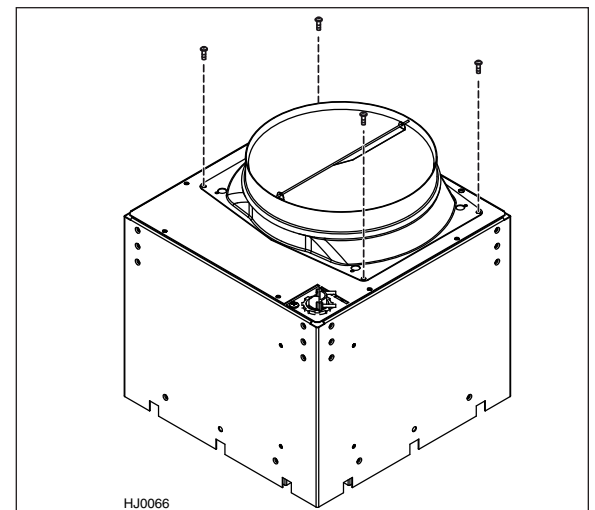


4. Lift flap located on top right hand corner of blower box (1) to ease wire clamp installation (included). Install wire clamp and push flap back in place. Secure flap to blower box (2) using 1 no. 8 x 3/8" quadrex screw.

NOTE: Install wire clamp diagonally (as illustrated in image 2), otherwise it will be difficult to tighten its screws once the blower box is attached to the angle brackets.



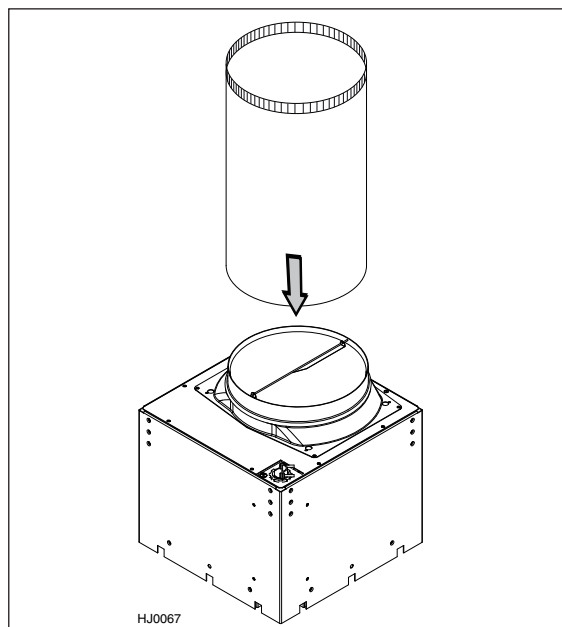
5. Attach the adapter/damper to the blower box using 4 no. 8 x 3/8" quadrex screws (included). Remove tape on damper.





## 8. PREPARE HOOD (ALL MODELS) (CONT'D)

6. Measure the required length of 8" round metal duct from the adapter/damper to the ductwork rough-in in the ceiling. Connect this section of duct to the adapter/damper and seal joint with metal foil duct tape.



## 9. INSTALL HOOD

### ⚠ WARNING

**BE CAREFUL** when installing the decorative flue and hood, they may have sharp edges.

### CAUTION

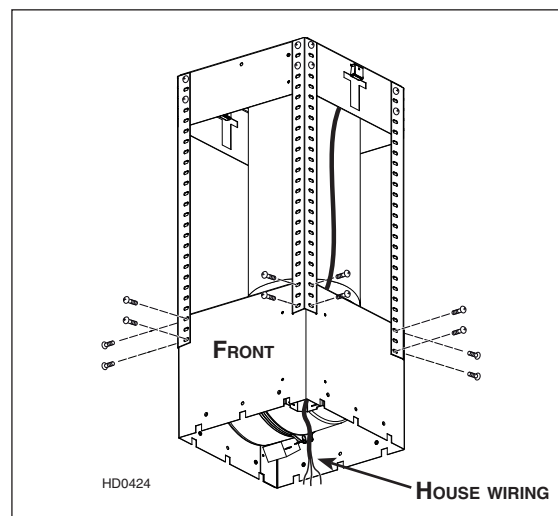
**DO NOT REMOVE** the protective plastic film covering the decorative flue (upper and lower) and the hood yet.

1. Attach blower box assembly to lower angle brackets using 16 no. 10-32 x 1/2" quadrex screws (4 per angle brackets). Connect hood duct to ceiling duct and seal joint with metal foil duct tape.

**NOTE:** Ensure electrical channel is facing where the front of the hood will be positioned.

2. Run house wiring through wire clamp into blower box electrical channel. Tighten wire clamp to secure house wiring cable to blower box.

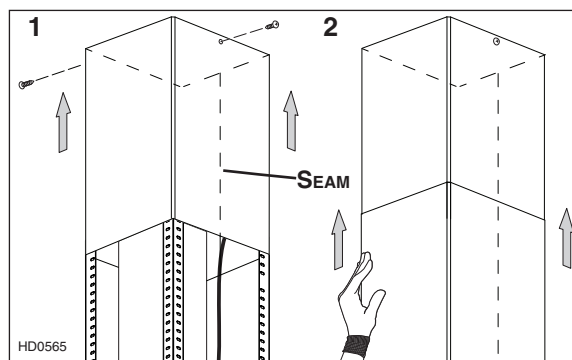
**NOTE:** The length between the top of the blower box and the bottom of the hood is 12 3/16".



3. Slide the upper flue up to the ceiling and secure it to the mounting plate using 2 no. 8 x 1/2" quadrex screws for stainless steel model or 2 no. 8 x 1/2" quadrex black screws for black stainless steel model (1).

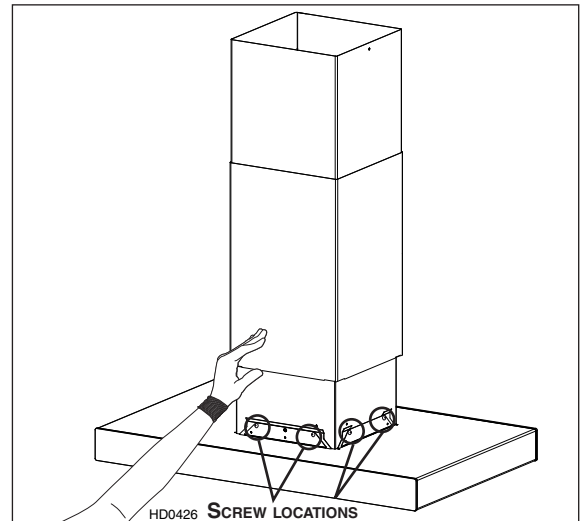
**NOTE:** Ensure flue seam is on the opposite side of the hood controls.

Carefully slide the lower flue over the upper flue up to the ceiling and have the second person hold it to the ceiling (2) while performing step 4, or secure it up using appropriate tape.



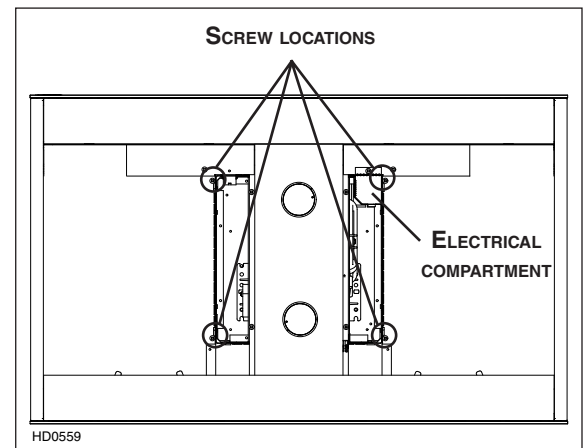
## 9. INSTALL HOOD (CONT'D)

4. Attach the hood to the blower box using the 8 screws previously removed at step 8.3 (only 4 out of 8 screws are illustrated at right). Make sure that the house wiring goes into the electrical compartment.



5. Slide the lower flue down on top of the hood and secure from inside the hood using 4 no. 8 x 3/8" quadrex screws (included).

6. Remove protective plastic film from hood and flues.



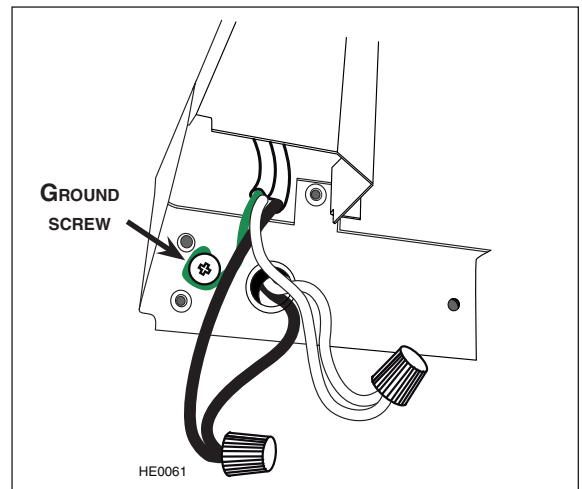
## 10. CONNECT WIRING

### ⚠ WARNING

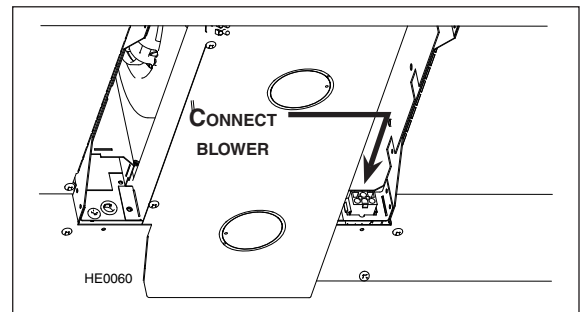
Risk of electric shock. Electrical wiring must be done by qualified personnel in accordance with all applicable codes and standards. Before connecting wires, switch power off at service panel and lock service disconnecting means to prevent power to be switched on accidentally.

1. Connect hood power cable to house wiring using provided wire connectors: BLACK to BLACK, WHITE to WHITE and GREEN or BARE wire to GREEN ground screw. **DO NOT FORGET TO CONNECT THE GROUND.**

Reinstall electrical box cover ensuring its 3 tabs are tucked inside the electrical channel.



2. Connect blower.

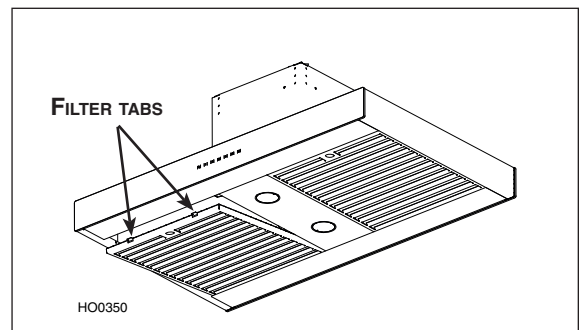


## 11. REINSTALL HYBRID FILTERS

### CAUTION

Remove protective plastic film covering filters before reinstalling them.

Rest rear filters edge on filter springs in the range hood. Tilt up the filters into position. Make sure filter tabs are securely engaged in range hood front edge slots after installation.



## 12. LED LIGHTING

---

The lighting of this hood is produced by two LED modules (included).

### WARNING

**Do not touch lamps during or soon after operation. Burns may occur. Cannot be replaced by any other type of light bulb or LED module.**

## 13. CARE

---

### WARNING

**Before servicing or cleaning the unit, switch power off at service panel and lock service panel to prevent power from being switched on accidentally. When the service disconnecting means cannot be locked, securely fasten a prominent warning device, such as a tag, to the service panel.**

#### HYBRID FILTERS

Hybrid filters should be cleaned monthly. Remove hybrid filters by pushing them towards the back of the hood and rotating them downward. Use a warm detergent solution to clean the filters. Let them dry and reinstall them. Hybrid filters are dishwasher safe. Clean all-metal filters in the dishwasher using a non-phosphate detergent. Discoloration of the filter may occur if using phosphate detergent or as a result of local water conditions — but this will not affect filter performance. This discoloration is not covered by the warranty.

#### STAINLESS STEEL

<b>Do:</b>	<b>Don't:</b>
<ul style="list-style-type: none"><li>• Regularly wash with clean cloth or rag soaked with warm water and mild soap or liquid dish detergent.</li><li>• Always clean in the direction of original polish lines.</li><li>• Always rinse well with clear water (2 or 3 times) after cleaning. Wipe dry completely.</li><li>• You may also use a specialized household stainless steel cleaner.</li></ul>	<ul style="list-style-type: none"><li>• Use any steel or stainless steel wool or any other scrapers to remove stubborn dirt.</li><li>• Use any harsh or abrasive cleansers.</li><li>• Allow dirt to accumulate.</li><li>• Let plaster dust or any other construction residues reach the hood. During construction/renovation, cover the hood to make sure no dust sticks to stainless steel surfaces.</li></ul>

#### GLASS PANEL

Hot water with mild soap or glass cleaner is all that is usually needed.

When using mild soap, rinse with clear water. Wipe dry with a clean, soft cloth to avoid water marks.

#### **Avoid when choosing a detergent:**

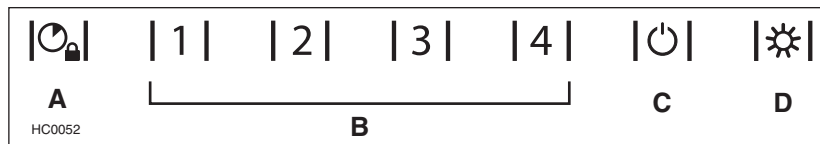
- Any cleaners that contain **bleach**. They will attack stainless steel.
- Any products containing **chloride, fluoride, iodide, bromide**. They will deteriorate surfaces rapidly.
- Any combustible products used for cleaning such as **acetone, alcohol, ether, benzol**, etc. They are highly explosive and should never be used close to a range.

## 14. OPERATION

Always turn your hood on before you begin cooking to establish an air flow in the kitchen. Let the blower run for a few minutes to clear the air after you turn off the range.

### CAUTION

After a power failure or during the range hood power up, a 5-second booting sequence is executed. Wait for the control backlighting to turn off before use.



#### A. DELAY BUTTON/CONTROL LOCK (DOUBLE FUNCTION BUTTON):

- i. When a blower speed is selected, press this button to activate the delay function. The delay button will light to its high intensity, then to its mid intensity to indicate this function is activated; the selected blower speed button will alternate every 2 seconds between its high intensity and its mid intensity. The blower will continue to operate for 5 minutes and will stop automatically. Selecting another speed while the delay function is activated will not deactivate the function or reset the timer. To cancel the delay function, press the delay button once again, or press the selected speed button which will also turn the blower off.
- ii. When the blower is off, it is possible to lock the control interface in order to clean the glass panel.  
To lock the control interface: Press and hold this button for 2 seconds. The button will light to its high intensity and flash three times, it will then stay on its mid intensity to indicate that the control interface is locked.  
To unlock the control interface: Press and hold this button for 2 seconds. The button will light to its high intensity and flash 3 times, it will then fade out to its low intensity to indicate that the control interface is unlocked.

#### B. SPEED SELECTION BUTTONS:

Press the button corresponding to the desired blower speed (from 1 for low speed to 4 for high speed). The chosen speed button will light to its high intensity then fade to its mid intensity. To turn off the blower, press once more on the corresponding blower speed button; the button light will fade to its low intensity.

NOTE: When blower is off, pressing on blower speed 1 button will cause the blower to start on second speed for a very short lapse of time, and then resume to speed 1.

#### C. MASTER ON/OFF:

When the blower and lights are off, press this button to turn the hood on to the last memorized speed level and light intensity. If there are no memorized speed level and light intensity, speed will be set at level 1 and light intensity at 3. To turn off the blower and the light simultaneously, press this button once.

**HEAT SENTRY™:** The hood is equipped with a HEAT SENTRY thermostat. If blower is ON at a lower speed setting and excessive heat is detected above the cooking surface, it turns the blower up to third speed. When the temperature level drops to normal, the blower will return to its original setting.

NOTE: When Heat Sentry is activated, the "DELAY OFF" function is inactivated.

### ⚠ WARNING

The Heat Sentry can change the blower speed when excessive heat is detected above the cooking surface. If this situation occurs and you must stop the blower, press on the third speed button or on the master ON/OFF button.

## 14. OPERATION (CONT'D)

### D. LIGHT BUTTON/BACKLIGHTING COLOR (DOUBLE FUNCTION BUTTON):

- i. This button allows three different lighting levels according to your needs. Press once for full intensity, twice for intensity level **2**, and once more for nightlight. To turn off the lights, press once more.

If desired, when the lights are on, press and maintain the light button for 1 second; lights will be turned off.

NOTE: When only the lights are ON to any intensity and no interaction with the hood is detected for a 10-second period, the 7 buttons backlighting will fade to its low intensity, acting as a night light feature.

- ii. When lights are off, pressing and holding this button for 1 second will switch the backlighting color from white to blue or from blue to white (default backlighting color is white) and memorize it. The button will flash three times to indicate that the color change has been made.

NOTE: Due to the particular sensitivity of the control interface, keep the glass panel clean as dirt and condensation may cause erratic operation of the hood blower and/or lighting. If this situation occurs, wipe the glass panel and wait 90 seconds. Then, adjust the blower and/or lighting at your convenience.

### REMOTE CONTROL:

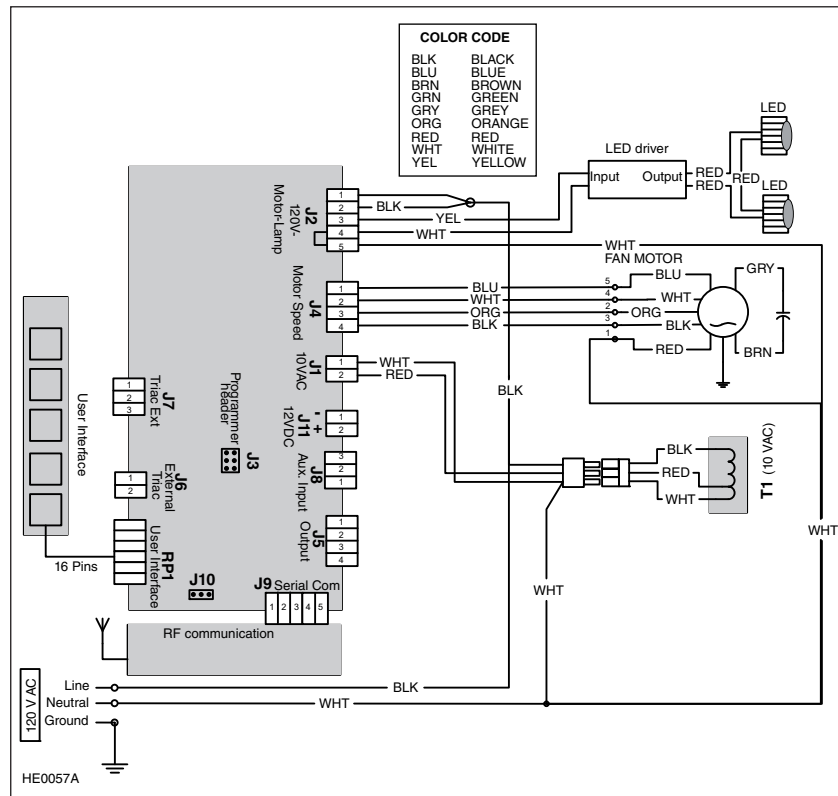
This hood can also be operated using the optional ACR3 remote control (purchase separately).

NOTE: For more information, refer to the instructions included with the remote control.

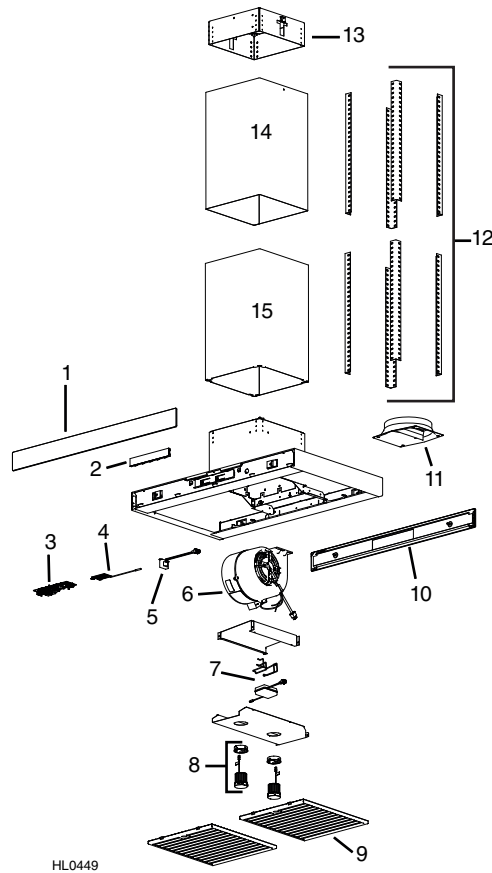
## 15. WIRING DIAGRAM

### ⚠ WARNING

**Risk of electric shock. Electrical wiring must be done by qualified personnel in accordance with all applicable codes and standards. Before connecting wires, switch power off at service panel and lock service disconnecting means to prevent power from being switched on accidentally.**



# 16. SERVICE PARTS



HL0449

KEY NO.	PART NO.	DESCRIPTION	QTY.
1	SV09956XX*	FRONT GLASS PANEL	1
2	SV22427	ELECTRONIC CONTROL	1
3	SV21221	POWER UNIT	1
4	SV20816	PCB FOR REMOTE CONTROL	1
5	SV09022	TRANSFORMER	1
6	SV08582	INTERNAL BLOWER	1
7	62248	LED DRIVER AND CONNECTION HARNESS	1
8	62612	LED MODULE (1)	2
9	SV62053	HYBRID FILTER 15.875" x 14" x 0.5" (1)	2
10	SV09957XX*	BACK GLASS PANEL	1
11	SV08543	8" ROUND ADAPTER/DAMPER	1
12	SV09518	ANGLE BRACKET KIT (4)	2
13	SV19232	INSTALLATION BRACKET	1
14	SV19231	UPPER FLUE COVER, STAINLESS STEEL	1
	SV66427	UPPER FLUE COVER, BLACK STAINLESS STEEL	1
15	SV19230	LOWER FLUE COVER, STAINLESS STEEL	1
	SV66428	LOWER FLUE COVER, BLACK STAINLESS STEEL	1
**	SV23894	CRT KIT 300 CFM (OPTIONAL)	1
**	SV23866	INSTALLATION MANUAL	1
**	SV09871	PARTS BAG	1
**	SV05869	BEST LOGO	1

\*PART NUMBER ACCORDING TO GLASS PANEL COLOR, PLEASE CONTACT CUSTOMER SERVICE OR REFER TO WEB SITE.

\*\*ITEM NOT SHOWN.

## REPLACEMENT PARTS AND REPAIRS

In order to ensure your unit remains in good working condition, you must use Broan-NuTone genuine replacement parts only. Broan-NuTone genuine replacement parts are specially designed for each unit and are manufactured to comply with all the applicable certification standards and maintain a high standard of safety. Any third party replacement part used may cause serious damage and drastically reduce the performance level of your unit, which will result in premature failing. Broan-NuTone recommends to contact a certified service depot for all replacement parts and repairs.

## 17. WARRANTY

---

### FIVE-YEAR LIMITED WARRANTY FOR BEST® PRODUCTS

**Warranty Period and Exclusions:** Broan-NuTone, LLC (the “Company”) warrants to the consumer purchaser of its product (“you”) that the product (the “Product”) will be free from material defects in the materials or its workmanship for a period of five (5) years from the date of original purchase (or such longer period as may be required by applicable law) or a period of two (2) years from the date of service for any labor provided on the Product.

The limited warranty period for any replacement parts provided by the Company and for any Products repaired or replaced under this limited warranty shall be the remainder of the original warranty period (or such longer period as may be required by applicable law).

**THIS WARRANTY DOES NOT EXTEND TO FLUORESCENT LAMP STARTERS, TUBES AND BULBS, FUSES, FILTERS, DUCTS, ROOF CAPS, WALL CAPS AND OTHER ACCESSORIES FOR DUCTING.** This warranty does not cover (a) normal maintenance and service, (b) normal wear and tear, (c) any Products or parts which have been subject to misuse, abuse, abnormal usage, negligence, accident, improper or insufficient maintenance, storage or repair (other than repair by the Company), (d) damage caused by faulty installation, or installation or use contrary to recommendations or instructions, (f) damage caused by exposure to salt air, (g) damage in transit, (h) natural wear of finish, (i) Products in commercial or nonresidential use, (j) damage caused by fire, flood or other act of God, or (k) Products with altered, defaced or removed serial numbers. This warranty covers only Products sold to consumers in North America. This warranty supersedes all prior warranties and, subject to applicable law, is not transferable from the original consumer purchaser.

**No Other Warranties:** This Limited Warranty contains the Company’s sole obligation and your sole remedy for defective Products. The foregoing warranties are exclusive and in lieu of any other warranties and conditions, express or implied. **TO THE MAXIMUM EXTENT PERMITTED BY APPLICABLE LAW, THE COMPANY DISCLAIMS AND EXCLUDES ALL OTHER EXPRESS WARRANTIES AND CONDITIONS, AND DISCLAIMS AND EXCLUDES ALL WARRANTIES AND CONDITIONS IMPLIED BY LAW, INCLUDING WITHOUT LIMITATION THOSE OF MERCHANTABILITY AND FITNESS FOR A PARTICULAR PURPOSE.**

To the extent that applicable law prohibits the exclusion of implied warranties or conditions, the duration of any applicable implied warranty or condition is limited to the period specified for the express warranty above. Some jurisdictions (which may include the Province of Quebec or specific US states) do not allow limitations on how long an implied warranty lasts, so the above limitation may not apply to you. Any oral or written description of the Product is for the sole purpose of identifying it and shall not be construed as an express warranty.

Whenever possible, each provision of this Limited Warranty shall be interpreted in such manner as to be effective and valid under applicable law, but if any provision is held to be prohibited or invalid, such provision shall be ineffective only to the extent of such prohibition or invalidity, without invalidating the remainder of such provision or the other remaining provisions of the Limited Warranty.

**Remedy:** During the applicable limited warranty period, the Company will, at its option, provide replacement parts for, or repair or replace, without charge, any Product or part thereof, to the extent the Company finds it to be covered by and in breach of this limited warranty under normal use and service. The Company will ship the repaired or replaced Product or replacement parts to you at no charge. You are responsible for all costs for removal, reinstallation and shipping, insurance or other freight charges incurred in the shipment of the Product or part to the Company. If you must send the Product or part to the Company, as instructed by the Company, you must properly pack the Product or part—the Company is not responsible for damage in transit. The Company reserves the right to utilize reconditioned, refurbished, repaired or remanufactured Products or parts in the warranty repair or replacement process. Such Products and parts will be comparable in function and performance to an original Product or part and warranted for the remainder of the original warranty period (or such longer period as may be required by applicable law).

Company reserves the right, in its sole discretion, to refund the money actually paid by you for the Product. If the Product or component is no longer available, replacement may be made with a similar product of equal or greater value, at Company’s sole discretion. This is your sole and exclusive remedy for breach of this limited warranty.

**Exclusion of Damages: THE COMPANY’S OBLIGATION TO PROVIDE REPLACEMENT PARTS, OR REPAIR OR REPLACE, AT THE COMPANY’S OPTION, SHALL BE YOUR SOLE AND EXCLUSIVE REMEDY UNDER THIS LIMITED WARRANTY AND THE COMPANY’S SOLE AND EXCLUSIVE OBLIGATION. THE COMPANY SHALL NOT BE LIABLE FOR INCIDENTAL, INDIRECT, CONSEQUENTIAL OR SPECIAL DAMAGES ARISING OUT OF OR IN CONNECTION WITH THE PRODUCT, ITS USE OR PERFORMANCE.**

Some jurisdictions do not allow the exclusion or limitation of incidental or consequential damages, so the above limitation or exclusion may not apply to you. This warranty gives you specific legal rights, and you may also have other rights, which vary from jurisdiction to jurisdiction. The disclaimers, exclusions, and limitations of liability under this warranty will not apply to the extent prohibited by applicable law.

This warranty covers only replacement or repair of defective Products or parts thereof at the Company’s main facility and does not include the cost of field service travel and living expenses.

Any assistance the Company provides to or procures for you outside the terms, limitations or exclusions of this limited warranty will not constitute a waiver of such terms, limitations or exclusions, nor will such assistance extend or revive the warranty. The Company will not reimburse you for any expenses incurred by you in repairing or replacing any defective Product, except for those incurred with the Company’s prior written permission.

**How to Obtain Warranty Service:** To qualify for warranty service, you must (a) notify the Company at the address or telephone number stated below within seven (7) days of discovering the covered defect, (b) give the model number and part identification and (c) describe the nature of any defect in the Product or part. At the time of requesting warranty service, you must present evidence of the original purchase date. If you cannot provide a copy of the original written limited warranty, then the terms of the Company’s most current written limited warranty for your particular product will control.

### PRODUCT SPECIFICATIONS

All illustrations and specifications in this catalog are based on the latest product information available at time of production. Broan-NuTone, LLC and BEST® reserves the right to make changes at any time, without notice, in prices, colors, materials, equipment, specifications and models, place of manufacture and to discontinue models or equipment.

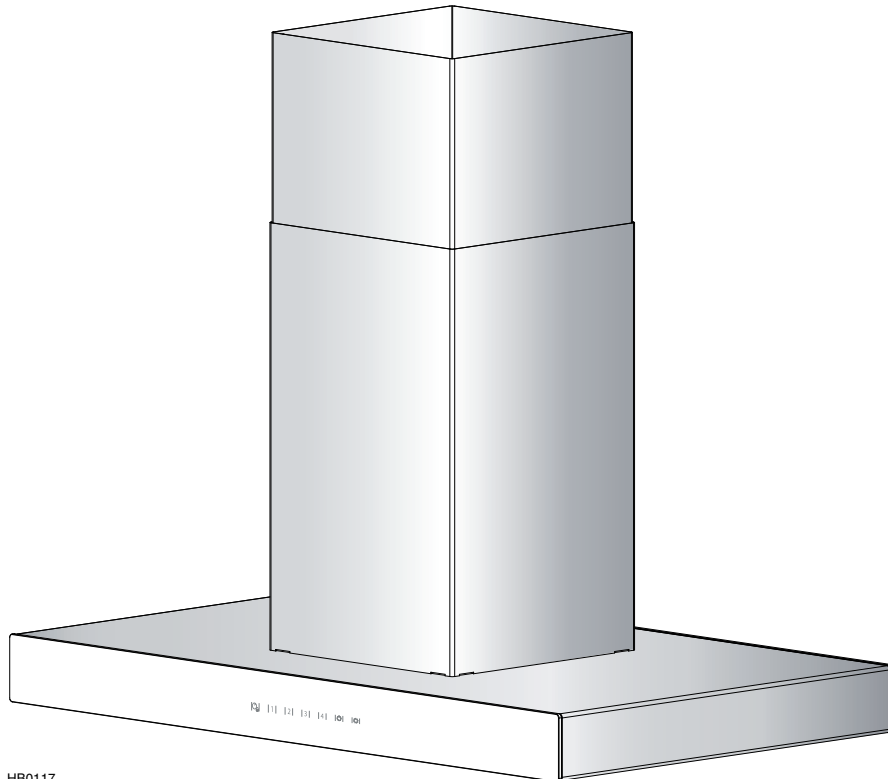
Best

Broan-NuTone, LLC- 926 W. State Street, Hartford, WI 53207 1-800-637-1453

Best®, 550 Lemire Blvd., Drummondville, QC, Canada (1-866-737-7770) [www.bestrangehoods.com](http://www.bestrangehoods.com)



# best®



HB0117

## SÉRIE ICB31

⚠ CONÇUE POUR USAGE RÉSIDENTIEL SEULEMENT ⚠

**LIRE ET CONSERVER CES DIRECTIVES**

INSTALLATEUR: LAISSER CE GUIDE AU PROPRIÉTAIRE.  
PROPRIÉTAIRE: DIRECTIVES D'UTILISATION ET  
D'ENTRETIEN AUX PAGES 12 À 14.

BEST; Hartford, Wisconsin [www.BestRangeHoods.com](http://www.BestRangeHoods.com) 800 558-1711  
BEST; Drummondville, QC, Canada [www.BestRangeHoods.ca](http://www.BestRangeHoods.ca) 866 737-7770

## **⚠ AVERTISSEMENT**

### **AFIN DE RÉDUIRE LES RISQUES D'INCENDIE, D'ÉLECTROCUTION OU DE BLESSURES CORPORELLES, SUIVEZ LES DIRECTIVES SUIVANTES :**

1. N'utilisez cet appareil que de la façon prévue par le fabricant. Si vous avez des questions, contactez le fabricant à l'adresse ou au numéro de téléphone indiqués dans la garantie.
2. Avant de réparer ou de nettoyer l'appareil, couper l'alimentation électrique en verrouillant le panneau de distribution afin d'éviter sa remise en marche accidentelle. Si le panneau de distribution ne peut être verrouillé, y fixer un avertissement en évidence, telle qu'une étiquette de couleur vive.
3. Les travaux d'installation et de raccordement électrique doivent être effectués par une personne qualifiée, conformément aux codes et aux standards de construction, incluant ceux concernant la protection contre les incendies.
4. Une quantité d'air adéquate est requise afin d'assurer une bonne combustion et l'évacuation des gaz par la cheminée dans le cas des équipements alimentés au gaz afin de prévenir les retours de cheminée. Conformez-vous aux instructions et aux standards de sécurité des fabricants d'équipement de chauffage, tel qu'ils sont publiés par la National Fire Protection Association (NFPA) et l'American Society for Heating, Refrigeration and Air Conditioning Engineers (ASHRAE) ainsi que les responsables des codes locaux.
5. Veillez à ne pas endommager le câblage électrique ou d'autres équipements non apparents lors de la découpe ou du perçage du mur ou du plafond.
6. Les ventilateurs avec conduits doivent toujours évacuer l'air à l'extérieur.
7. Ne pas utiliser cet appareil avec une commande de vitesse à semi-conducteur additionnelle.
8. Afin de réduire les risques d'incendie, n'utilisez que des conduits de métal.
9. Cet appareil doit être relié à une mise à la terre.
10. Tout verre trempé peut se briser spontanément. En cas de bris, il tombera hors de son emplacement en s'égrenant. Le verre trempé peut, à l'occasion, se briser en gros morceaux plutôt qu'en petites particules.
11. Lorsqu'une réglementation est en vigueur et qu'elle comporte des exigences d'installation ou de certification plus restrictives, lesdites exigences prévalent sur celles de ce document et l'installateur entend s'y conformer à ses frais.

### **AFIN DE RÉDUIRE LES RISQUES DE FEU DE CUISINIÈRE :**

- a) Ne jamais laisser les appareils de cuisson sans surveillance lorsqu'ils sont réglés à feu vif. Les débordements engendrent de la fumée et des déversements graisseux pouvant s'enflammer. Chauffez l'huile lentement, à feu doux ou moyen.
- b) Mettez toujours la hotte en marche lorsque vous cuisinez à feu vif ou cuisinez des mets flambés (par ex. : crêpes Suzette, cerises jubilé, steaks au poivre flambés).
- c) Nettoyez régulièrement la roue du ventilateur. Ne laissez pas la graisse s'accumuler sur le ventilateur, les filtres ou les conduits d'évacuation.
- d) Utilisez le bon format de casserole. Servez-vous toujours de casseroles et d'ustensiles appropriés à la dimension de la surface chauffante.

## **⚠ AVERTISSEMENT**

### **AFIN D'ÉVITER TOUT RISQUE DE BLESSURES LORS D'UN FEU DE CUISINIÈRE, SUIVEZ CES DIRECTIVES\* :**

1. Éteignez les flammes avec un couvercle hermétique, une tôle à biscuits ou un plateau métallique et ensuite, éteignez le brûleur. PRENEZ SOIN D'ÉVITER les brûlures. SI LES FLAMMES NE S'ÉTEIGNENT PAS IMMÉDIATEMENT, ÉVACUEZ LES LIEUX ET APPELEZ LES POMPIERS.
2. NE PRENEZ JAMAIS UNE CASSEROLE EN FLAMMES DANS VOS MAINS. Vous pourriez vous brûler.
3. N'UTILISEZ PAS D'EAU, incluant un linge à vaisselle ou une serviette mouillée, cela pourrait occasionner une violente explosion de vapeur.
4. N'utilisez un extincteur QUE DANS LE CAS OÙ :
  - A. Vous savez qu'il s'agit d'un extincteur de classe ABC et que vous en connaissez le fonctionnement.
  - B. Le feu est petit et limité à l'endroit où il a débuté.
  - C. Les pompiers ont été avisés.
  - D. Vous pouvez combattre le feu en ayant accès à une sortie de secours.

\*Tirées du Kitchen Fire Safety Tips publié par la NFPA.

## **ATTENTION**

1. Pour une utilisation à l'intérieur seulement.
2. Pour usage domestique seulement. Ne pas utiliser pour évacuer des vapeurs ou des matières dangereuses ou explosives.
3. Afin d'éviter tout dommage au moteur et de débalancer ou de rendre bruyante la roue du moteur, garder votre appareil à l'abri des poussières de gypse et de construction/rénovation, etc.
4. Le moteur de votre hotte possède une protection thermique qui éteindra automatiquement le moteur s'il devient surchauffé. Le moteur redémarrera automatiquement une fois refroidi. Si le moteur continue à arrêter et à redémarrer, faites-le vérifier.
5. Le bas de la hotte devrait être à un minimum de 30 po au-dessus de la surface de cuisson. Un maximum de 36 po au-dessus de la surface de cuisson est fortement recommandé pour une meilleure évacuation des odeurs de cuisson.
6. Deux installateurs sont recommandés lors de l'installation vu la grande dimension et le poids de cet appareil.
7. Afin de réduire les risques d'incendie, assurez-vous d'évacuer l'air à l'extérieur. Ne pas évacuer l'air dans des espaces restreints comme l'intérieur des murs ou des plafonds ou dans le grenier, faux plafond ou garage.
8. À cause de la grande capacité d'évacuation de cet appareil, il est recommandé d'ouvrir une fenêtre dans ou près de la cuisine afin de remplacer l'air évacué.
9. Afin de réduire les risques d'incendie et d'électrocution, la hotte Best de série ICB31 ne doit être installée qu'avec son ventilateur intégré.
10. Veuillez consulter l'autocollant apposé à l'intérieur du produit pour plus d'information ou autres exigences.
11. Cette hotte est munie d'un récepteur radio. Consulter la page suivante pour connaître les avertissements s'y rattachant.

## ⚠ AVERTISSEMENT

Cette hotte est munie d'un récepteur radio (télécommande optionnelle vendue séparément). Tous changements ou modifications qui ne sont pas approuvés par la partie responsable de la conformité pourraient annuler la possibilité d'opérer l'équipement. La télécommande a été testée et est en accord avec les limites de la Classe B appareil numérique et est conforme au chapitre 15 des règlements FCC et ICES-003 canadien. Ces limites sont développées afin de fournir une protection raisonnable contre des interférences dommageables dans une installation résidentielle. La télécommande génère, utilise et peut émettre des flux de fréquences radio qui peuvent causer des interférences aux communications radio, si elle n'est pas installée selon les instructions. Cependant, il n'y a aucune garantie que ces interférences ne se produiront pas dans une installation particulière. Si cet équipement est soupçonné causer des interférences à un récepteur radio ou à un téléviseur, cela peut être confirmé en éteignant et rallumant l'appareil. L'utilisateur est encouragé à corriger cette situation en essayant les solutions suivantes :

- Réorienter ou relocaliser l'antenne réceptrice
- Augmenter la distance entre l'équipement et le récepteur
- Connecter l'équipement à une autre prise électrique ou à un disjoncteur différent de celui du récepteur

## TABLE DES MATIÈRES

1. INSTALLATION DES CONDUITS .....	3
2. PRÉPARATION DE L'INSTALLATION .....	4
3. MESURE DE L'INSTALLATION .....	4
4. INSTALLATION DU SUPPORT DE MONTAGE .....	5
5. ASSEMBLAGE DES ÉQUERRES .....	6
6. RETRAIT DES FILTRES HYBRIDES .....	7
7. INSTALLATION DES FAÇADES DE VERRE (MODÈLE SBN SEULEMENT) .....	7
8. PRÉPARATION DE LA HOTTE .....	8-9
9. INSTALLATION DE LA HOTTE .....	9-10
10. BRANCHEMENT ÉLECTRIQUE .....	11
11. RÉINSTALLATION DES FILTRES HYBRIDES .....	11
12. ÉCLAIRAGE À DEL .....	12
13. ENTRETIEN .....	12
14. FONCTIONNEMENT .....	13-14
15. SCHÉMA ÉLECTRIQUE .....	14
16. PIÈCES DE REMPLACEMENT .....	15
17. GARANTIE .....	16

## 1. INSTALLATION DES CONDUITS

Déterminer à quel endroit et de quelle façon les conduits seront installés.

Un conduit droit et court permettra à votre hotte de fonctionner plus efficacement.

Installer des conduits de dimensions adéquates, des coudes et un capuchon de toit ou de mur. Relier le conduit de métal au capuchon, puis acheminer le conduit jusqu'à l'emplacement de votre hotte. Sceller les joints avec du ruban adhésif de métal de 2 po de largeur.

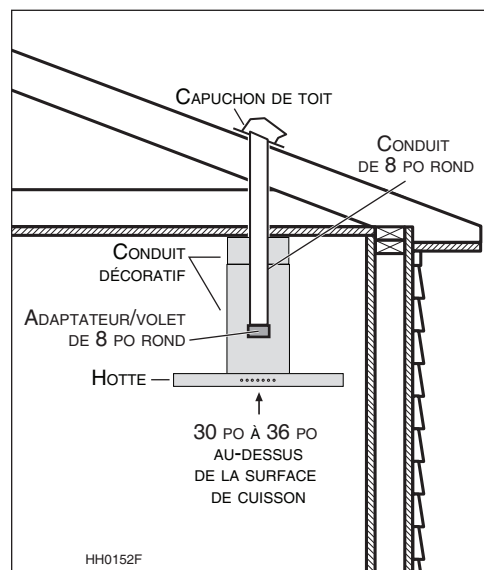
Acheminer un câble d'alimentation électrique à 3 conducteurs jusqu'à l'emplacement de la hotte.

**Pour une meilleure évacuation des odeurs de cuisson, le bas de votre hotte devrait être situé à un minimum de 30 po et à un maximum de 36 po au-dessus de la surface de cuisson.**

HAUTEUR DU PLAFOND	8 PI	9 PI	10 PI*
DISTANCE MINIMALE RECOMMANDÉE AU-DESSUS DE LA SURFACE DE CUISSON	30 PO	30 PO	30 PO
DISTANCE MAXIMALE RECOMMANDÉE	34 PO	36 PO	36 PO

Une distance de plus de 36 po demeure à la discrétion de l'installateur et de l'utilisateur.

\*Une rallonge de conduit décoratif est requise pour les plafonds de 10 pi, modèle AEICB3SB (acier inoxydable) ou AEICB3BSL (acier inoxydable noir) (vendue séparément).



## 2. PRÉPARATION DE L'INSTALLATION

### ⚠ AVERTISSEMENT

Il est recommandé de porter des lunettes et des gants de sécurité lors de l'installation, de l'entretien et de la réparation de cet appareil.

NOTE : Avant de commencer l'installation, vérifier le contenu de la boîte. Si des pièces sont manquantes ou endommagées, contacter le fabricant.

S'assurer que les éléments suivants sont inclus :

- Hotte
- Accessoires
  - Ensemble de conduit décoratif (inférieur et supérieur)
  - 2 filtres hybrides
  - 1 support de montage (vissé sur le dessus de la hotte)
  - 8 équerres
  - 1 adaptateur/volet de 8 po rond (dans une boîte à part)
  - Sac de pièces (collé sur le boîtier du ventilateur) incluant : 2 capuchons de connexion, 1 serre-fils, 8 vis à bois n° 10 x 1 1/2 po, 8 rondelles d'acier, 10 vis quadrex n° 8 x 3/8 po, 17 écrous n° 10-32, 50 vis quadrex à tête hexagonale n° 10-32 x 1/2 po, 2 vis Phillips n° 8 x 1/2 po, 2 vis quadrex noires no. 8 x 1/2 po.

Pièces vendues séparément :

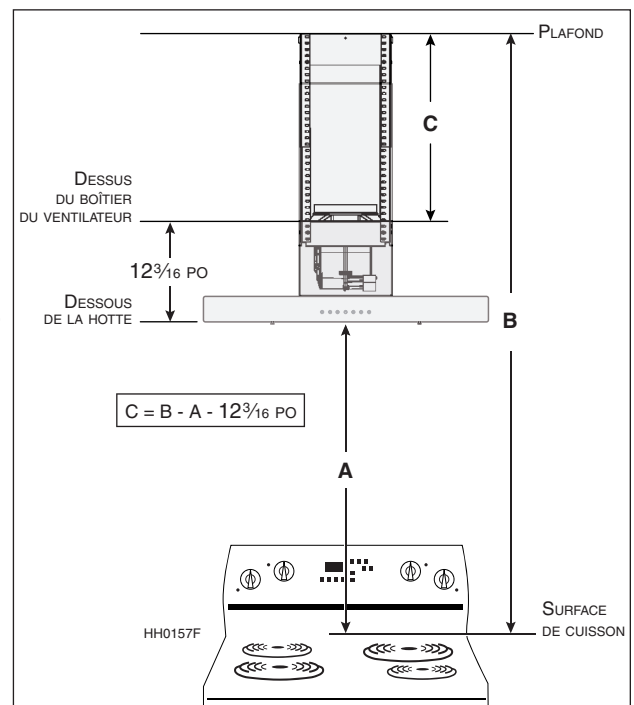
- Conduits, coudes, capuchons de mur ou de toit.
- Rallonge de conduit décoratif pour plafonds de 10 pi, modèle n° AEICB3SB (acier inoxydable) ou AEICB3BLS (acier inoxydable noir).
- Télécommande optionnelle (modèle n° ACR3).
- Façades de verre pour le modèle ICB3I36SBN (voir les pièces de remplacement).

NOTE : Lors de l'installation, protéger la surface de cuisson et le comptoir de cuisine.

## 3. MESURE DE L'INSTALLATION

Déterminer la distance requise entre le plafond et le dessus du boîtier du ventilateur (C) selon la hauteur du plafond (B) et la hauteur désirée de la hotte au-dessus de la surface de cuisson (A).

NOTE :  $C = B - A - 12 \frac{3}{16}$  PO

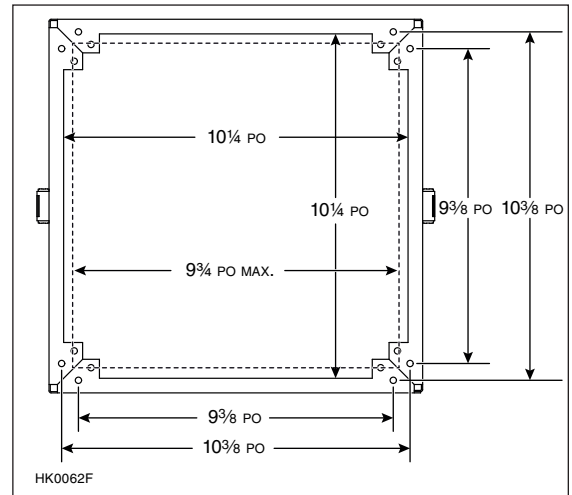


## 4. INSTALLATION DU SUPPORT DE MONTAGE

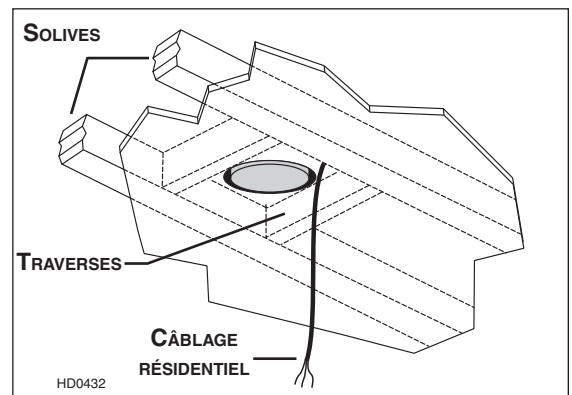
### ⚠ AVERTISSEMENT

Lors de la construction de la charpente, toujours suivre les codes et standards de construction en vigueur.

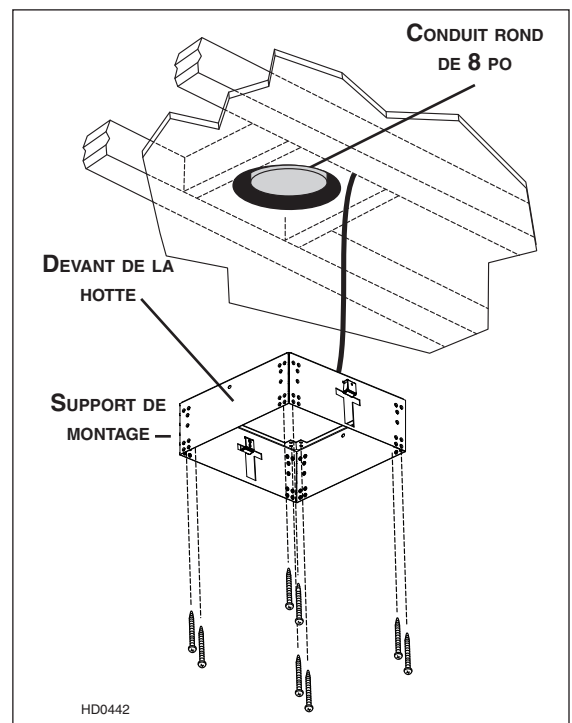
1. Modifier la structure du plafond au-dessus de l'emplacement de la hotte. Installer des traverses en 2 po x 4 po entre les solives du plafond, selon les dimensions du support de montage illustrées ci-contre. La charpente doit être construite de façon à supporter le poids total de la hotte et ne devrait pas excéder 9 3/4 po x 9 3/4 po.



2. Effectuer la finition du plafond en s'assurant que ce dernier est de niveau sous tous les angles. S'assurer de marquer l'emplacement des solives de plafond et des traverses. Faire sortir le câblage résidentiel à travers le plafond fini.

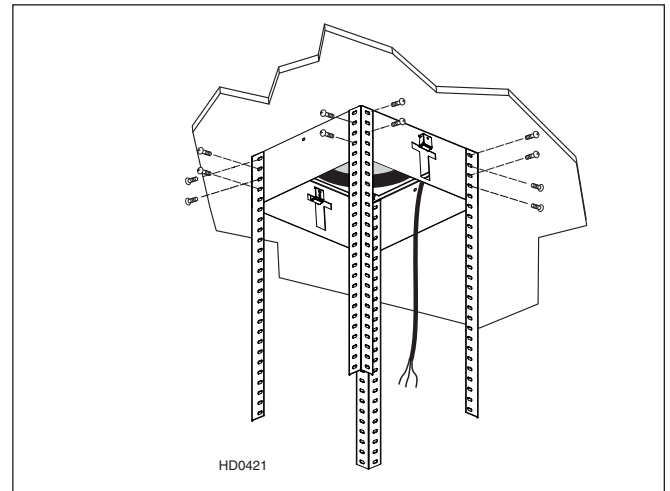


3. Retirer les deux vis retenant le support de montage au dessus de la hotte. Se défaire des vis. **Positionner le support de montage de façon à ce qu'un de ses côtés sans « T » soit face à l'avant de la hotte.** Fixer le support de montage au plafond à l'aide de 8 vis à bois n° 10 x 1 1/2 po (2 à chaque coin). S'assurer d'enfoncer les vis au centre des pièces de charpente pour une solidité maximale.



## 5. ASSEMBLAGE DES ÉQUERRES

1. Assembler 4 équerres au support de montage à l'aide de 16 vis quadrex n° 10-32 x 1/2 po (4 par équerres).

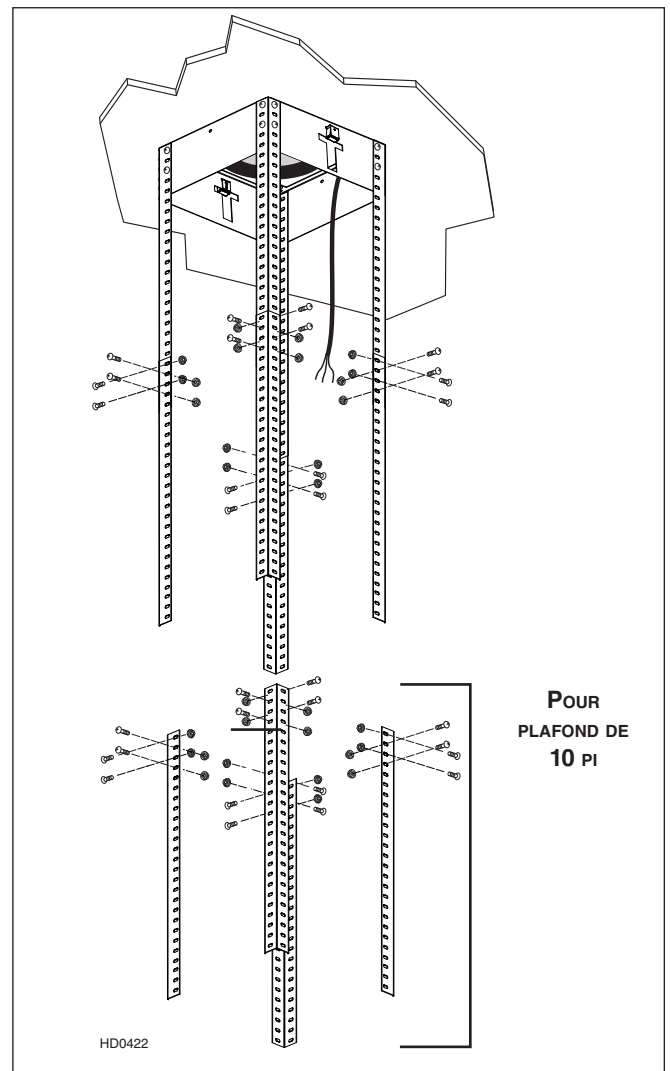


2. Déterminer la longueur des équerres d'après la hauteur du plafond et celle de l'emplacement de la hotte au-dessus de la surface de cuisson. Si nécessaire, assembler un second ensemble de 4 équerres à l'ensemble d'équerres supérieur selon la longueur requise. Les fixer à l'aide de 16 vis quadrex n° 10-32 x 1/2 po et de 16 contre-écrous n° 10-32 (4 à chaque jonction d'équerres).

### **POUR UN PLAFOND DE 10 PI:**

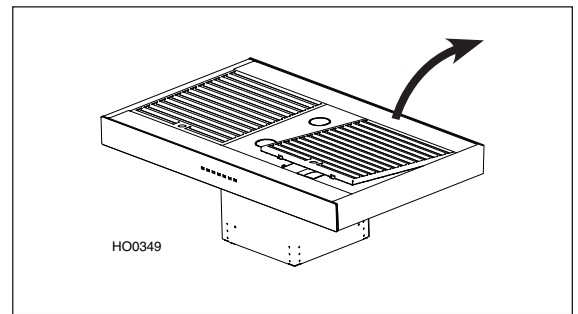
Les conduits décoratifs inférieur et supérieur sont inclus avec la hotte, mais pour un plafond de 10 pieds, se défaire du conduit décoratif supérieur et utiliser le conduit décoratif supérieur optionnel, AEICB3SB (acier inoxydable) ou AEICB3BLS (acier inoxydable noir) (vendus séparément). La visserie requise ainsi que 4 équerres additionnelles sont fournies avec le conduit décoratif supérieur optionnel.

Si nécessaire, assembler un troisième ensemble de 4 équerres au second ensemble d'équerres selon la longueur requise. Les fixer à l'aide de 16 vis quadrex n° 10-32 x 1/2 po et de 16 contre-écrous n° 10-32 (4 à chaque jonction d'équerres).



## 6. RETRAIT DES FILTRES HYBRIDES

Poser la hotte sur une table. Protéger la table pour éviter de l'endommager. Retirer le ruban adhésif des filtres. Soulever les filtres en les poussant vers l'arrière (à l'opposé de la commande) et en les dégageant de la hotte, puis les mettre de côté.

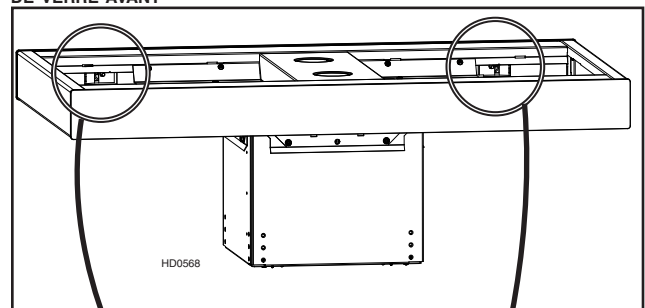


## 7. INSTALLATION DES FAÇADES DE VERRE (MODÈLE SBN SEULEMENT)

Les façades de verre décoratives du modèle de hotte SBN sont vendues séparément et doivent être installées avant de compléter l'installation.

1. Retirer délicatement la façade de verre de son emballage. Retirer les deux écrous des goujons de la façade de verre (installés en usine) et les mettre de côté.

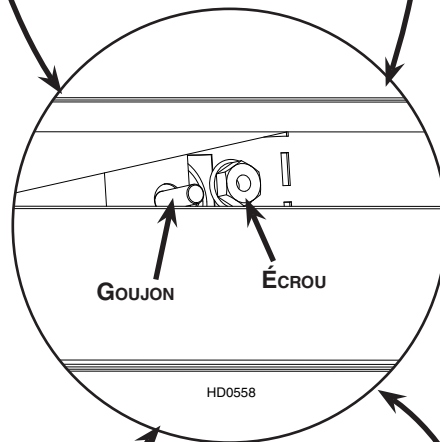
GOUJONS DE LA FAÇADE DE VERRE AVANT



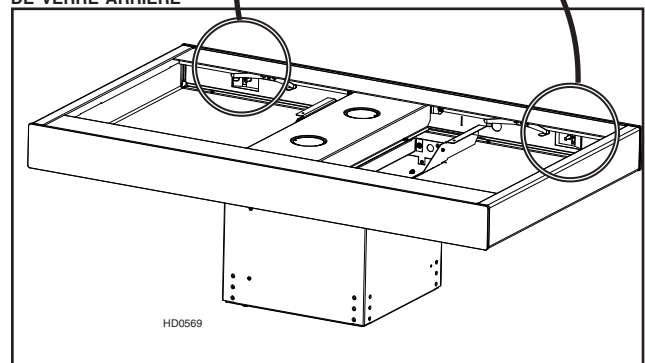
2. Insérer les goujons de la façade de verre dans les trous appropriés de la hotte.

NOTE: Installer la façade de verre munie des pictogrammes de la commande à l'avant de la hotte.

3. Tout en maintenant la façade de verre, pré-serrer à la main les écrous précédemment retirés. S'assurer que la façade de verre est centrée. Puis, à l'aide d'une douille de 3/8 po, serrer complètement les écrous.



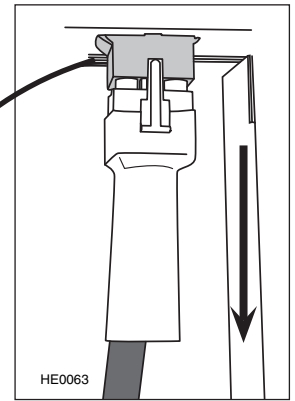
GOUJONS DE LA FAÇADE DE VERRE ARRIÈRE



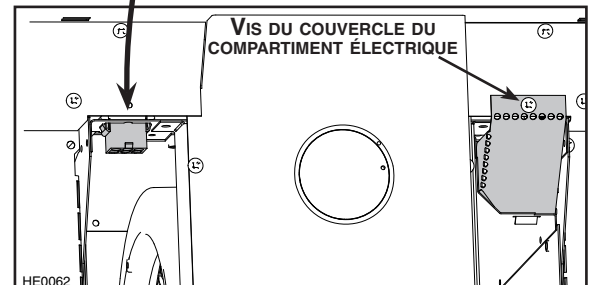
4. Répéter les mêmes étapes pour l'installation de la seconde façade de verre.

## 8. PRÉPARATION DE LA HOTTE (TOUS LES MODÈLES)

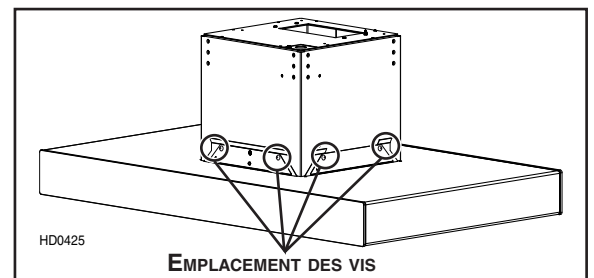
1. Par l'intérieur de la hotte, débrancher le ventilateur.



2. Retirer la vis de retenue du couvercle du compartiment électrique. Mettre le couvercle et la vis de côté.

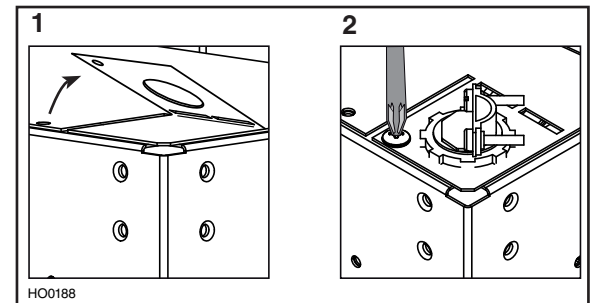


3. Retourner la hotte et retirer les 8 vis de retenue du boîtier du ventilateur (seulement 4 des 8 vis sont illustrées ci-contre). Mettre la hotte et les vis de côté.

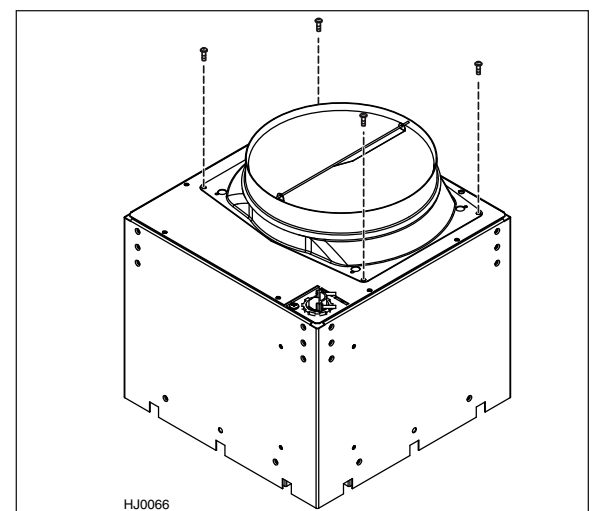


4. Relever la trappe située sur le dessus du boîtier du ventilateur, au coin droit (1) afin de faciliter l'installation du serre-fils (inclus). Installer le serre-fils et repousser la trappe en place. Fixer la trappe au boîtier du ventilateur (2) à l'aide d'une vis quadrex n° 8 x 3/8 po.

NOTE : Installer le serre-fils diagonalement (comme il est illustré dans l'image 2) sans quoi il sera difficile de serrer ses vis une fois le boîtier du ventilateur fixé aux équerres.



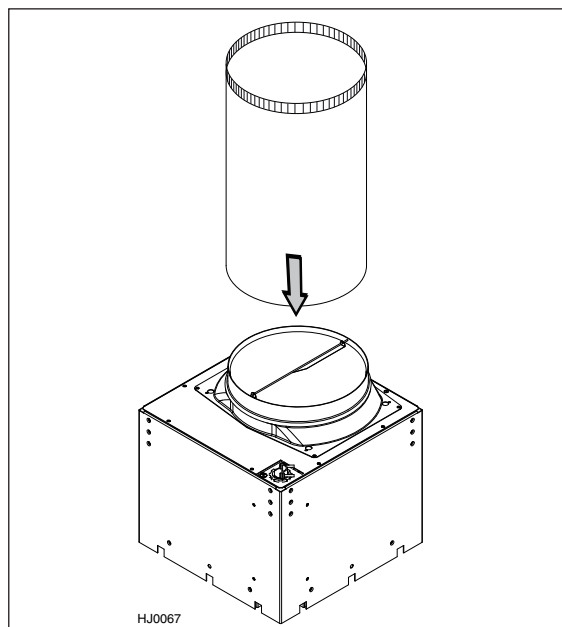
5. Fixer l'adaptateur/volet au boîtier du ventilateur à l'aide de 4 vis quadrex n° 8 x 3/8 po (incluses). Retirer le ruban adhésif du volet.





## 8. PRÉPARATION DE LA HOTTE (TOUS LES MODÈLES) (SUITE)

- Mesurer la longueur de conduit métallique rond de 8 po requise entre l'adaptateur/volet et le conduit du plafond. Raccorder cette longueur de conduit à l'adaptateur/volet et sceller le joint avec du ruban adhésif de métal.



## 9. INSTALLATION DE LA HOTTE

### ⚠ AVERTISSEMENT

**SOYEZ PRUDENT** lors de l'installation du conduit décoratif et de la hotte, il pourrait y avoir des arêtes vives.

### ATTENTION

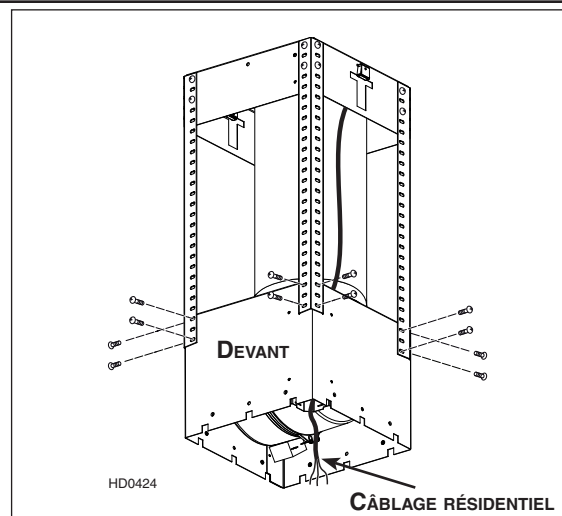
**NE PAS RETIRER** pour l'instant le film protecteur de plastique recouvrant le conduit décoratif (supérieur et inférieur) et la hotte.

- Fixer le boîtier du ventilateur aux équerres inférieures à l'aide de 16 vis quadrex n° 10-32 x 1/2 po (4 pour chaque équerres). Raccorder le conduit de la hotte au conduit du plafond et sceller le joint avec du ruban adhésif de métal.

**NOTE: S'assurer que le canal pour le câblage résidentiel est orienté de façon à faire face au devant de la hotte.**

- Passer le câblage résidentiel à travers le serre-fils dans le canal du boîtier du ventilateur. Serrer le serre-fils afin de maintenir le câblage résidentiel au boîtier du ventilateur.

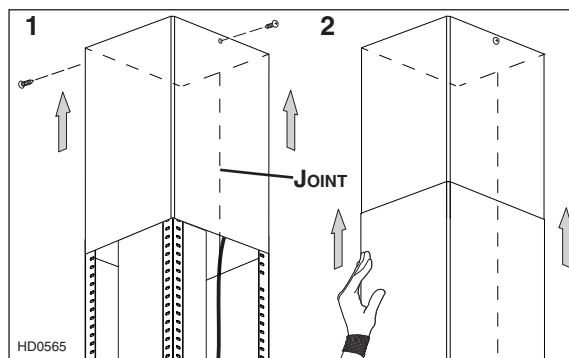
**NOTE:** La longueur entre le dessus du boîtier du ventilateur et le dessous de la hotte est de 12 3/16 po.



- Glisser le conduit décoratif supérieur jusqu'au plafond et le fixer au support de montage à l'aide de 2 vis quadrex n° 8 x 1/2 po pour le modèle en acier inoxydable ou 2 vis noires quadrex n° 8 x 1/2 po pour le modèle en acier inoxydable noir (1).

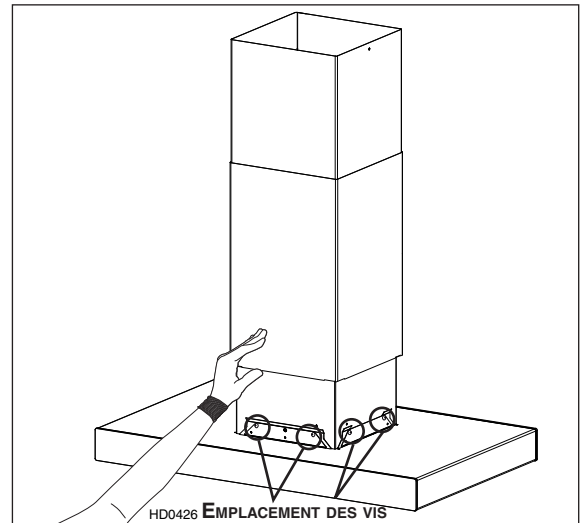
**NOTE:** S'assurer que le joint du conduit décoratif supérieur est orienté à l'opposé de la commande de la hotte.

Glisser délicatement le conduit décoratif inférieur par dessus le conduit décoratif supérieur jusqu'au plafond et demander à la seconde personne de les tenir au plafond (2) pendant l'exécution de l'étape 4, ou encore le fixer en place au moyen de ruban adhésif adéquat.



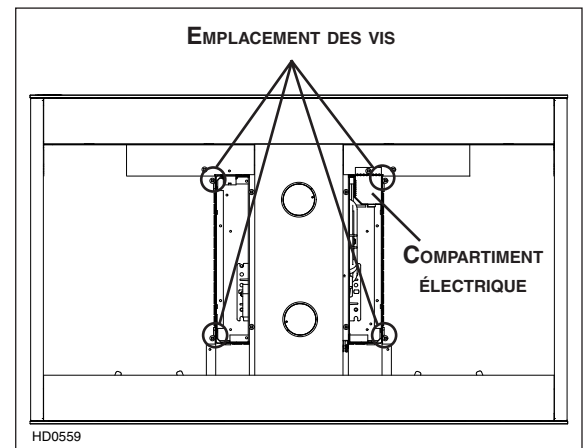
## 9. INSTALLATION DE LA HOTTE (SUITE)

4. Fixer la hotte au boîtier du ventilateur à l'aide des 8 vis précédemment retirées à l'étape 8.3 (seulement 4 des 8 vis sont illustrées ci-contre). S'assurer que le câble résidentiel s'insère dans le compartiment électrique.



5. Glisser le conduit décoratif inférieur sur le dessus de la hotte et le fixer de l'intérieur de la hotte à l'aide de 4 vis quadrex n° 8 x 3/8 po (incluses).

6. Retirer le film protecteur de plastique recouvrant la hotte et les conduits décoratifs.



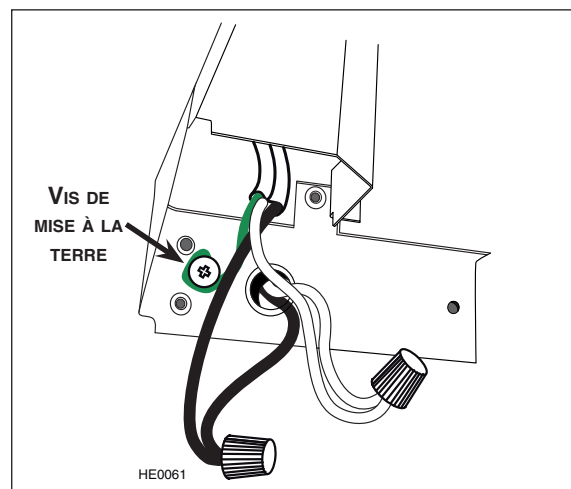
## 10. BRANCHEMENT ÉLECTRIQUE

### ⚠ AVERTISSEMENT

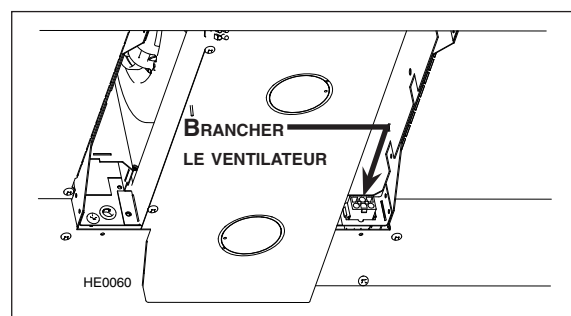
Risque d'électrocution. Le raccordement électrique doit être effectué par du personnel qualifié conformément aux codes et aux standards. Avant d'effectuer le branchement, coupez l'alimentation électrique au panneau de distribution et verrouillez-le pour éviter sa mise en marche accidentelle.

1. Connecter le fil d'alimentation de la hotte au câblage résidentiel à l'aide des capuchons de connexion fournis : Connecter le fil NOIR au NOIR, le fil BLANC au BLANC et le fil VERT ou DÉNUDÉ à la vis VERTE de mise à la terre. **NE PAS OUBLIER DE CONNECTER LA MISE À LA TERRE.**

Réinstaller le couvercle du compartiment électrique en s'assurant que ses 3 languettes entrent à l'intérieur du canal pour le câblage résidentiel.



2. Brancher le ventilateur.

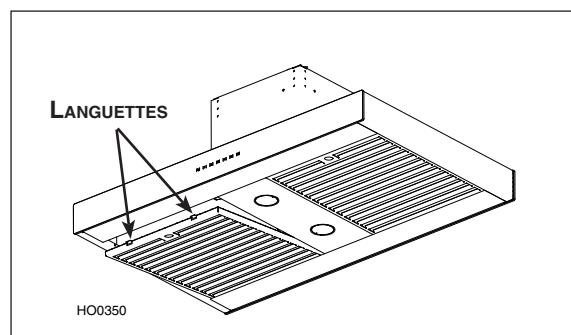


## 11. RÉINSTALLATION DES FILTRES HYBRIDES

### ATTENTION

Retirer la pellicule protectrice de plastique des filtres avant de les réinstaller.

Appuyer le rebord arrière des filtres sur les ressorts de filtre à l'intérieur de la hotte. Incliner chaque filtre vers le haut jusqu'à ce que les languettes soient bien engagées dans les fentes du rebord avant de la hotte. S'assurer que les filtres sont bien en place après l'installation.



## 12. ÉCLAIRAGE À DEL

L'éclairage de cette hotte est produit par 2 modules DEL (inclus).

### ⚠ AVERTISSEMENT

**Ne pas toucher aux modules DEL durant ou peu après leur utilisation. Peuvent causer des brûlures. Ne peuvent être remplacés par aucun autre type d'ampoule ou de module à DEL.**

## 13. ENTRETIEN

### ⚠ AVERTISSEMENT

**Avant de nettoyer ou de réparer l'appareil, coupez le courant au panneau de distribution et verrouillez-en l'accès afin d'éviter sa remise en marche accidentelle. Si le panneau de distribution ne peut être verrouillé, y apposer un avertissement bien en évidence, comme une étiquette de couleur vive.**

#### FILTRES HYBRIDES

Les filtres hybrides doivent être nettoyés mensuellement. Pousser les filtres vers l'arrière de la hotte, puis les abaisser afin de les retirer. Utiliser de l'eau chaude additionnée de détergent. Laisser sécher et réinstaller. Nettoyer les filtres métalliques au lave-vaisselle avec un détergent sans phosphate. L'utilisation d'un détergent avec phosphates, de même que la teneur en minéraux de l'eau, peut occasionner une décoloration des filtres, ce qui n'affectera en rien leur capacité de filtration. Cette décoloration n'est pas couverte par la garantie.

#### ACIER INOXYDABLE

##### À faire :

- Laver régulièrement les surfaces à l'aide d'un chiffon ou d'un linge propre imbibé d'eau tiède et de savon doux ou de détergent liquide à vaisselle.
- Toujours nettoyer dans le sens du polissage.
- Toujours bien rincer avec de l'eau claire (de 2 à 3 fois) et essuyer complètement.
- Un nettoyant domestique conçu spécialement pour l'acier inoxydable peut aussi être utilisé.

##### À ne pas faire :

- Ne pas utiliser de laine d'acier ou d'acier inoxydable ou tout autre grattoir pour enlever la saleté tenace.
- Ne pas utiliser une poudre nettoyante abrasive ou rugueuse.
- Ne pas laisser la saleté s'accumuler.
- Ne pas laisser la poussière de plâtre ou tout autre résidu de construction atteindre la hotte. Couvrir la hotte pour la durée des travaux afin de s'assurer qu'aucune poussière n'atteint la hotte.

#### FAÇADE DE VERRE

De l'eau chaude et un savon doux ou un nettoyant à vitres suffisent.

Si vous utilisez un savon doux, rincer à l'eau claire. Essuyer à l'aide d'un linge propre et doux pour éviter les stries.

##### À éviter lors du choix d'un détergent :

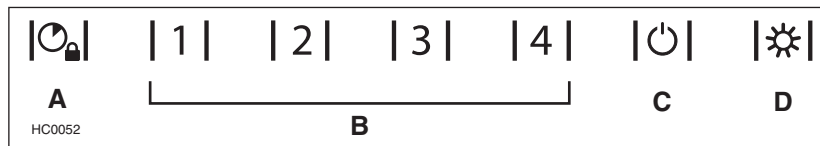
- Tous produits nettoyants contenant des **agents de blanchiment**; ils attaqueront l'acier inoxydable.
- Tous produits contenant du **chlorure**, du **fluorure**, de l'**iode** ou du **bromure**; ils détérioreront rapidement les surfaces.
- Tous produits combustibles utilisés pour le nettoyage: **acétone**, **alcool**, **éther**, **benzène**, etc.; ils sont grandement explosifs et ne devraient jamais être utilisés près d'une cuisinière.

## 14. FONCTIONNEMENT

Toujours mettre en marche la hotte avant de commencer la cuisson afin d'établir une circulation de l'air dans la cuisine. Aussi, laisser la hotte fonctionner quelques minutes après l'arrêt de la cuisinière afin d'aérer.

### ATTENTION

Après une panne de courant ou lors de la mise sous tension de la hotte, une séquence de démarrage de 5 secondes est effectuée. Attendre que le rétroéclairage de la commande soit éteint avant d'utiliser cette dernière.



#### **A. BOUTON D'ARRÊT DIFFÉRÉ/VERROUILLAGE DE LA COMMANDE (BOUTON DOUBLE FONCTION):**

- i. Lorsque le ventilateur est en marche, appuyer sur ce bouton pour activer la fonction d'arrêt différé. Le bouton s'allumera à haute intensité, puis l'intensité diminuera jusqu'à devenir moyenne pour indiquer que la fonction est activée; le bouton correspondant à la vitesse en vigueur passera de la haute intensité à l'intensité moyenne en alternance aux 2 secondes. Le ventilateur continuera de fonctionner pendant 5 minutes puis s'arrêtera automatiquement. La sélection d'une autre vitesse tandis que la fonction d'arrêt différé est activée ne désactivera pas cette dernière ni ne réinitialisera la minuterie. Pour annuler la fonction d'arrêt différé, appuyer une fois de plus sur ce bouton ou sur le bouton de la vitesse en vigueur. Cette dernière option aura également pour effet d'arrêter le ventilateur.
- ii. Lorsque le ventilateur est arrêté, il est possible de verrouiller la commande afin de nettoyer la façade de verre.  
Pour verrouiller la commande: appuyer sur ce bouton et maintenir la pression pendant 2 secondes. Le bouton s'allumera à haute intensité puis clignotera 3 fois, l'intensité diminuera ensuite jusqu'à devenir moyenne et le restera afin d'indiquer que la commande est verrouillée.  
Pour déverrouiller la commande: appuyer sur ce bouton et maintenir la pression pendant 2 secondes. Le bouton s'allumera à haute intensité puis clignotera 3 fois, l'intensité diminuera ensuite jusqu'à devenir faible afin d'indiquer que la commande est déverrouillée.

#### **B. BOUTONS DE SÉLECTION DE LA VITESSE :**

Appuyer sur le bouton correspondant à la vitesse désirée (de 1 pour la basse vitesse à 4 pour la haute vitesse). Le bouton de la vitesse choisie s'allumera à haute intensité, puis l'intensité diminuera jusqu'à devenir moyenne. Pour arrêter le ventilateur, appuyer une fois de plus sur le bouton correspondant à la vitesse en vigueur; l'éclairage du bouton diminuera jusqu'à devenir faible.

NOTE: Appuyer sur le bouton 1 lorsque le ventilateur est arrêté entraîne un départ en vitesse 2 pour un très court laps de temps, puis le régime passe en vitesse 1.

#### **C. BOUTON D'ARRÊT PRINCIPAL :**

Lorsque le ventilateur et l'éclairage ne sont pas en fonction, appuyer sur ce bouton afin d'activer la hotte aux dernières vitesse et intensité d'éclairage mémorisées. Si aucune vitesse ni aucune intensité d'éclairage n'ont été mémorisées, la vitesse sera réglée à 1 et l'intensité d'éclairage, à 4.

**HEAT SENTRY<sup>MC</sup>:** La hotte est munie d'un thermostat HEAT SENTRY. Si le ventilateur fonctionne en basse vitesse et qu'une chaleur excessive est détectée au-dessus de la surface de cuisson, il règle le ventilateur en troisième vitesse. Lorsque la température revient à la normale, le ventilateur retourne à sa vitesse d'origine.

NOTE: Lorsque le Heat Sentry est en fonction, la fonction d'arrêt différé est désactivée.

### ⚠ AVERTISSEMENT

Lorsqu'une chaleur excessive est détectée au-dessus de la surface de cuisson, le HEAT SENTRY peut changer la vitesse du ventilateur. Si cette situation se produit et que vous devez arrêter le ventilateur, appuyez sur le bouton de la troisième vitesse ou sur le bouton d'arrêt principal.

## 14. FONCTIONNEMENT (SUITE)

### D. BOUTON D'ÉCLAIRAGE/COULEUR DU RÉTROÉCLAIRAGE (BOUTON DOUBLE FONCTION) :

- i. Cette hotte offre trois niveaux d'éclairage différents. Appuyer une fois sur ce bouton pour un éclairage pleine intensité, deux fois pour le niveau 2 et une fois de plus pour la veilleuse. Appuyer une autre fois pour éteindre les lumières.

Si désiré, lorsque les lumières sont allumées, appuyer et maintenir la pression pendant 1 seconde; les lumières s'éteindront.

NOTE: Lorsque seules les lumières sont allumées (peu importe l'intensité) et qu'aucune interaction avec la hotte n'est détectée pendant une période de 10 secondes, le rétroéclairage des 7 boutons diminuera jusqu'à faible intensité, procurant ainsi un éclairage de type veilleuse.

- ii. Lorsque les lumières sont éteintes, appuyer et maintenir la pression pendant 1 seconde afin de faire passer la couleur du rétroéclairage de blanc à bleu ou de bleu à blanc (la couleur par défaut est le blanc) et de la mémoriser. Le bouton clignotera trois fois afin d'indiquer que le changement de couleur a été effectué.

NOTE: En raison de la sensibilité particulière de l'interface de la commande, garder la façade de verre propre car la saleté et la condensation peuvent provoquer un fonctionnement erratique du ventilateur et de l'éclairage de la hotte. Si cette situation se produit, essuyer la façade de verre et attendre 90 secondes. Régler ensuite le ventilateur ou l'éclairage comme désiré.

### TÉLÉCOMMANDE OPTIONNELLE

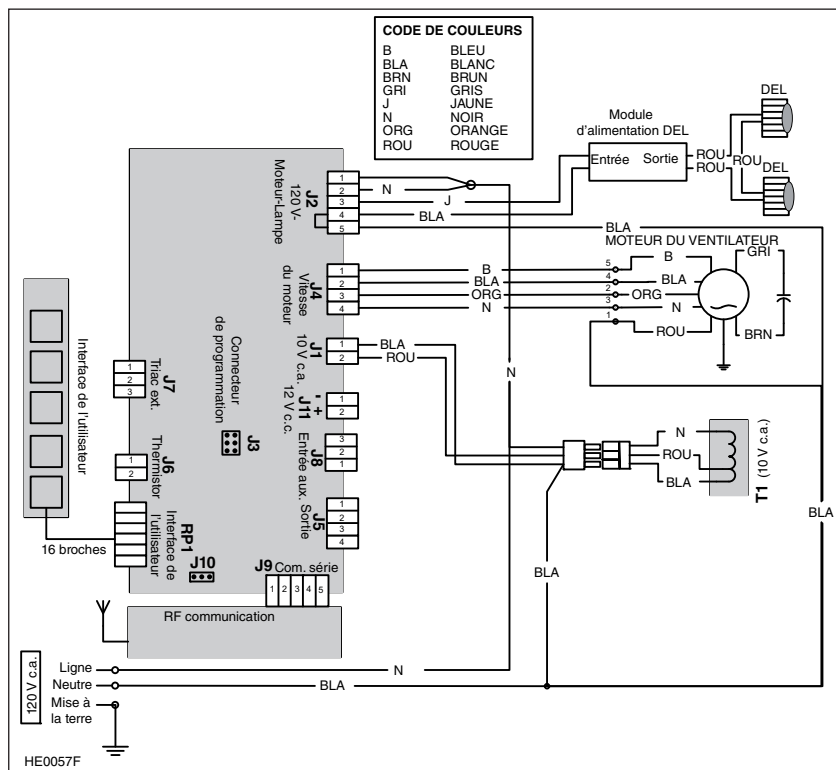
Cette hotte peut également être contrôlée à l'aide de la télécommande optionnelle ACR3.

NOTE: Pour plus d'information, voir les instructions incluses avec la télécommande optionnelle.

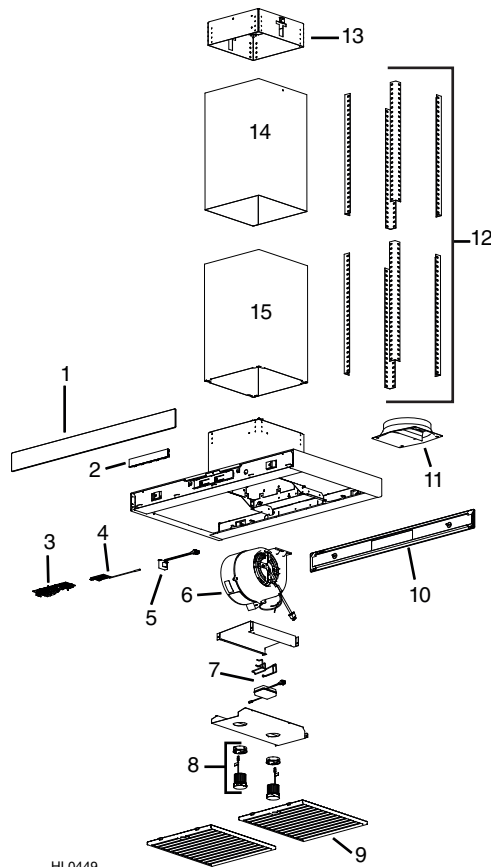
## 15. SCHÉMA ÉLECTRIQUE

### ⚠ AVERTISSEMENT

Risque d'électrocution. Le raccordement électrique doit être effectué par du personnel qualifié conformément aux codes et aux standards. Avant d'effectuer le branchement, coupez l'alimentation électrique au panneau de distribution et verrouillez-le pour éviter une mise en marche accidentelle.



# 16. PIÈCES DE REMPLACEMENT



HL0449

N°	PIÈCE N°	DESCRIPTION	QTÉ
1	SV09956XX*	FAÇADE DE VERRE AVANT	1
2	SV22427	COMMANDE ÉLECTRONIQUE	1
3	SV21221	BLOC D'ALIMENTATION	1
4	SV20816	CARTE ÉLECTRONIQUE POUR TÉLÉCOMMANDE	1
5	SV09022	TRANSFORMATEUR	1
6	SV08582	VENTILATEUR INTERNE	1
7	62248	MODULE D'ALIMENTATION DEL ET HARNAIS DE CONNEXION	1
8	62612	MODULE DEL (1)	2
9	SV62053	FILTRE HYBRIDE 15,87 po x 14 po x 0,5 po (1)	2
10	SV09957XX*	FAÇADE DE VERRE ARRIÈRE	1
11	SV08543	ADAPTATEUR/VOLET DE 8 PO ROND	1
12	SV09518	ÉQUERRES (4)	2
13	SV19232	SUPPORT DE MONTAGE	1
14	SV19231	CONDUIT DÉCORATIF SUPÉRIEUR (ACIER INOXYDABLE)	1
	SV66427	CONDUIT DÉCORATIF SUPÉRIEUR (ACIER INOXYDABLE NOIR)	1
15	SV19230	CONDUIT DÉCORATIF INFÉRIEUR (ACIER INOXYDABLE)	1
	SV66428	CONDUIT DÉCORATIF INFÉRIEUR (ACIER INOXYDABLE NOIR)	1
**	SV23894	ENSEMBLE CRT 300 pi <sup>3</sup> /MIN (OPTIONNEL)	1
**	SV23866	GUIDE D'INSTALLATION	1
**	SV09871	SAC DE PIÈCES	1
**	SV05869	LOGO BEST	1

\*N° DE PIÈCE SELON LA COULEUR DE LA FAÇADE DE VERRE (VEUILLEZ COMMUNIQUER AVEC LE SERVICE À LA CLIENTÈLE OU CONSULTER NOTRE SITE WEB).

\*\*NON ILLUSTRÉ

## PIÈCES DE REMPLACEMENT ET SERVICE

Pour assurer le bon fonctionnement de votre appareil, vous devez toujours utiliser des pièces d'origine provenant de Broan-NuTone. Les pièces d'origine de Broan-NuTone sont spécialement conçues pour satisfaire toutes les normes de certification de sécurité applicables. Leur remplacement par des pièces ne provenant pas de Broan-NuTone pourrait ne pas assurer la sécurité de l'appareil, entraîner une réduction sévère des performances ainsi qu'un risque de défaillance prématurée. Broan-NuTone recommande également de toujours vous référer à une entreprise de services compétente et reconnue par Broan-NuTone pour vos pièces de remplacement et appels de service.

## 17. GARANTIE

### GARANTIE LIMITÉE DE 5 ANS SUR LES PRODUITS BEST<sup>MD</sup>

**Période de garantie et exclusions :** Broan-NuTone LLC (l'« entreprise ») garantit au consommateur qui achète son produit (« vous ») que le produit (le « produit ») restera exempt de défauts importants dans ses composants ou sa fabrication pendant une période de cinq (5) ans à compter de la date de l'achat initial (ou pour une période plus longue si la loi en vigueur l'exige) ou une période de deux (2) ans à compter de la date de la prestation d'un service sur le produit.

La garantie limitée des pièces de rechange fournies par l'entreprise et de tout produit réparé ou remplacé en vertu de cette garantie est valide pour la durée non écoulée de la période de garantie initiale (ou d'une période plus longue si la loi en vigueur l'exige).

**LA PRÉSENTE GARANTIE NE S'APPLIQUE PAS AUX DÉMARREURS DE LAMPE FLUORESCENTE, NI AUX TUBES, AMPOULES, FUSIBLES, FILTRES, CONDUITS, CAPUCHONS DE TOIT, CAPUCHONS MURAUX ET AUX AUTRES ACCESSOIRES POUR CONDUITS.** Cette garantie exclut : a) l'entretien normal, b) l'usure normale, c) les produits et les pièces ayant fait l'objet d'une utilisation mauvaise, abusive ou anormale, d'une négligence, d'un accident, d'un entretien ou d'un entreposage, d'une réparation ou d'un entretien inadéquats ou insuffisants (sauf s'il s'agit d'une réparation effectuée par l'entreprise), d) les dommages attribuables à une installation incorrecte ou à une installation ou utilisation contraires aux recommandations ou aux instructions, e) les dommages attribuables au contact de l'air salin, f) les dommages survenus durant le transport, g) l'usure normale de la finition, h) les produits d'utilisation commerciale ou non résidentielle, i) les dommages causés par le feu, une inondation ou une autre catastrophe naturelle, ou j) les produits dont le numéro de série a été altéré ou effacé. Cette garantie ne s'applique qu'aux produits vendus aux consommateurs en Amérique du Nord. La présente garantie remplace les garanties précédentes et, sous réserve de la loi applicable, n'est pas transférable par l'acheteur initial.

**Aucune autre garantie :** La présente garantie limitée énonce l'unique obligation de l'entreprise et votre seul recours pour les produits défectueux. Les garanties qui précèdent sont exclusives et l'emportent sur les autres garanties et modalités, expresse ou implicites. **DANS TOUTE LA MESURE PERMISE PAR LA LOI EN VIGUEUR, L'ENTREPRISE SE DÉGAGE DES AUTRES GARANTIES ET MODALITÉS EXPRESSES ET DES GARANTIES ET MODALITÉS IMPLICITES EN VERTU DE LA LOI, Y COMPRIS, SANS S'Y LIMITER, LES GARANTIES DE QUALITÉ MARCHANDE ET D'ADAPTATION À UN USAGE PARTICULIER.** Dans la mesure où la loi applicable interdit l'exclusion des garanties ou modalités implicites, la durée d'une garantie ou modalité implicite applicable est restreinte à la période indiquée pour la garantie expresse ci-dessus. Certains territoires de compétence (ce qui peut inclure la province de Québec ou certains États des États-Unis) interdisent les limites à la durée des garanties implicites; la restriction susmentionnée pourrait donc ne pas s'appliquer à vous. Les descriptions orales ou écrites du produit ont pour seul objet d'indiquer les produits et ne sauraient être interprétées dans le sens d'une garantie expresse. Autant que possible, chaque disposition de cette garantie limitée est interprétée de sorte qu'elle soit valide sous le régime de la loi applicable, mais si l'une de ses dispositions est déclarée interdite ou nulle, cette disposition n'est nulle que dans la mesure de cette interdiction ou nullité, et les autres éléments de cette disposition ainsi que les autres dispositions de la garantie limitée restent valides.

**Recours :** Durant la période de la garantie limitée applicable, l'entreprise fournira, à son choix, des pièces de rechange ou des services de réparation ou de remplacement sans frais pour tout produit ou toute pièce de produit, dans la mesure où l'entreprise constate que la présente garantie limitée s'applique à ce produit ou à cette pièce dans le contexte d'une utilisation et d'un entretien normaux. L'entreprise vous expédiera le produit réparé, son remplacement ou les pièces de rechange sans frais. Vous assumez la totalité des coûts de mise hors service, de réinstallation, d'expédition et d'assurance et les autres frais de transport associés à la livraison du produit ou de la pièce à l'entreprise. Si vous devez envoyer le produit ou la pièce à l'entreprise, conformément à ses instructions, vous devez emballer adéquatement le produit ou la pièce; l'entreprise n'est pas responsable des dommages survenus durant le transport. L'entreprise se réserve le droit d'utiliser des produits ou pièces remis à neuf, réparés ou remanufacturés aux fins de réparation ou de remplacement dans le cadre de la garantie. Ces produits et ces pièces seront comparables quant à la fonction et aux performances avec les produits ou pièces d'origine, et protégés par une garantie pour la durée restante de la période de garantie initiale (ou d'une période plus longue si la loi en vigueur l'exige). L'entreprise se réserve le droit, à son entière discrétion, de rembourser le montant que vous avez effectivement payé pour le produit. Si le produit ou la pièce n'est plus disponible, elle peut le ou la remplacer par un produit similaire de valeur égale ou supérieure, à son entière discrétion. Ceci constitue votre seul recours advenant un non-respect de la présente garantie limitée.

**Exclusion des dommages :** **L'OBLIGATION DE L'ENTREPRISE DE FOURNIR DES PIÈCES DE RECHANGE, OU DE RÉPARER OU REMPLACER LE PRODUIT, À SON CHOIX, EST VOTRE SEUL RECOURS EN VERTU DE LA PRÉSENTE GARANTIE LIMITÉE ET L'UNIQUE OBLIGATION DE L'ENTREPRISE. CETTE DERNIÈRE N'EST PAS RESPONSABLE DES DOMMAGES INDIRECTS OU SPÉCIAUX DÉCOULANT DIRECTEMENT OU INDIRECTEMENT DU PRODUIT, DE SON UTILISATION OU DE SES PERFORMANCES.**

Certains territoires de compétence interdisent l'exclusion ou la restriction des dommages indirects; la restriction qui précède pourrait donc ne pas s'appliquer à vous. Cette garantie vous donne des droits spécifiques, et vous pourriez aussi avoir d'autres droits, qui varient selon le territoire de compétence. Les renoncements, exclusions et restrictions de responsabilité aux termes de cette garantie ne s'appliquent pas dans la mesure où la loi en vigueur interdit une telle application.

La présente garantie ne s'applique qu'au remplacement ou à la réparation de produits ou pièces de produit défectueux effectué au principal lieu d'affaires de l'entreprise, et exclut les frais de déplacement et de subsistance liés aux services fournis sur le terrain.

Tout soutien que l'entreprise vous fournit ou vous procure et qui n'est pas visé par les dispositions, limites ou exclusions de la présente garantie limitée ne constitue pas une renonciation à ces dispositions, limites ou exclusions, et la fourniture de ce soutien ne prolonge ni ne rétablit la garantie.

L'entreprise ne vous remboursera pas vos dépenses faites pour la réparation ou le remplacement d'un produit défectueux, sauf celles pour lesquelles vous avez obtenu le consentement écrit de l'entreprise.

**Comment obtenir le service de garantie :** Pour avoir droit au service de garantie, vous devez : a) aviser l'entreprise à l'adresse ou au numéro de téléphone indiqué ci-dessous dans les sept (7) jours qui suivent la date où vous avez eu connaissance de la défectuosité couverte, b) indiquer le numéro de modèle et les données d'identification de la pièce, et c) décrire la nature de toute défectuosité du produit ou de la pièce. Au moment où vous demandez le service de garantie, vous devez présenter une preuve de la date de l'achat initial. Si vous ne pouvez pas produire de copie de l'original de la garantie limitée, alors ce seront les modalités de la dernière version de la garantie limitée de votre produit de l'entreprise qui s'appliqueront.

### SPÉCIFICATIONS DU PRODUIT

Toutes les illustrations et les spécifications des produits contenues dans ce catalogue sont établies d'après les plus récentes données disponibles en date de la production. Broan-NuTone LLC et BEST<sup>MD</sup> se réservent le droit de modifier les prix, les couleurs, les composants, les produits, les spécifications et les modèles, de déplacer le lieu de fabrication et de cesser la production d'un modèle ou d'un produit, et ce, en tout temps et sans préavis.

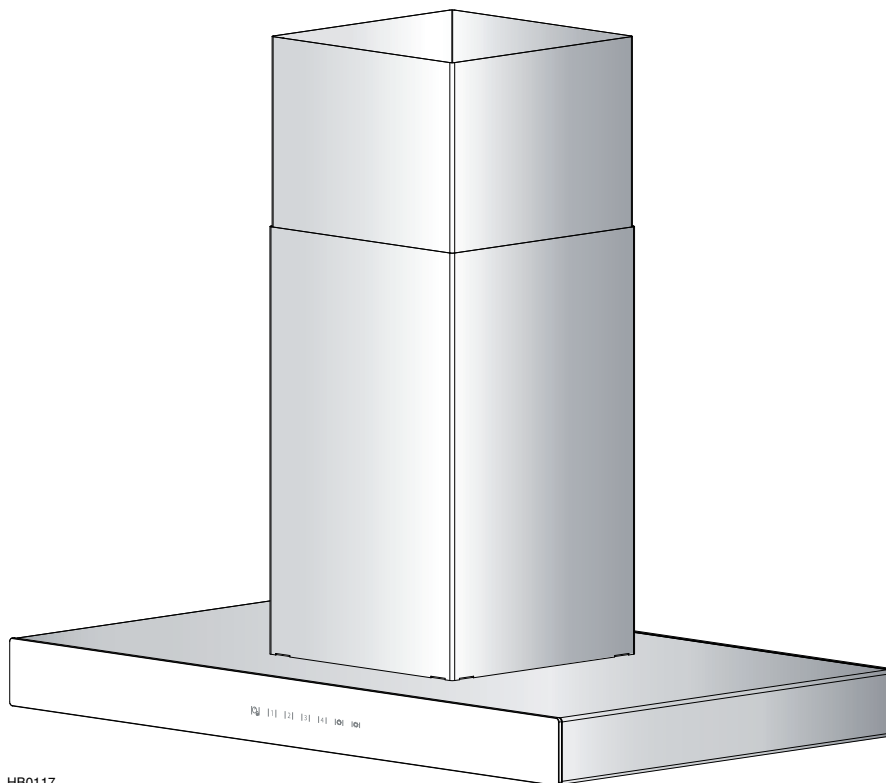
Best

Broan-NuTone LLC : 926 W. State Street, Hartford (WI) 53207 1 800 637-1453

Best<sup>MD</sup>, 550, boul. Lemire, Drummondville (Québec), Canada (1 866 737-7770) fr.bestrangehoods.ca



# best®



HB0117

## SERIE ICB3I

⚠ CONCEBIDO SÓLO PARA USO DOMÉSTICO ⚠

**LEER Y CONSERVAR ESTAS INSTRUCCIONES**

INSTALADOR: DEJAR ESTE MANUAL AL PROPIETARIO.  
PROPIETARIO: INSTRUCCIONES DE UTILIZACIÓN Y MANTENIMIENTO  
EN LAS PÁGINAS 12-14.

BEST; Hartford, Wisconsin [www.BestRangeHoods.com](http://www.BestRangeHoods.com) 800-558-1711  
BEST; Drummondville, QC, Canada [www.BestRangeHoods.ca](http://www.BestRangeHoods.ca) 866-737-7770

## **⚠️ ADVERTENCIA**

### **PARA REDUCIR EL RIESGO DE INCENDIO, CHOQUE ELÉCTRICO O HERIDAS CORPORALES, SIGA LAS INDICACIONES SIGUIENTES:**

1. Utilice este aparato sólo en la forma prevista por el fabricante. Si tiene preguntas, póngase en contacto con el fabricante en la dirección o número de teléfono indicados en la garantía.
2. Antes del mantenimiento o de la limpieza del aparato, apague la alimentación en el tablero de servicio y bloquee los medios de desconexión para evitar que se conecte la corriente accidentalmente. Cuando no se puedan bloquear los medios de desconexión de servicio, coloque firmemente un dispositivo de aviso visible, como una etiqueta, en el tablero de servicio.
3. Los trabajos de instalación y el cableado eléctrico han de ser realizados por personal cualificado, de conformidad con todos los códigos y normas aplicables, incluyendo los códigos y normas de construcción contra incendios.
4. Se necesita aire suficiente para una combustión adecuada y para sacar los gases por la chimenea del equipo que quema el combustible para evitar la contracorriente. Siga las directrices del fabricante del equipo de calefacción y las normas de seguridad, tales como las que publica la Asociación Nacional de Protección Contra Incendios (NFFPA) y la Sociedad Americana de Ingenieros de Calefacción, Refrigeración y Aire Acondicionado (ASHRAE) y las de las autoridades responsables del código local.
5. Al cortar o taladrar en la pared o en el techo, procure no dañar el cableado eléctrico ni otras instalaciones ocultas.
6. Los ventiladores con conductos deben tener siempre salida al exterior.
7. No use el aparato con cualquier dispositivo de control de velocidad de semiconductores.
8. Para reducir el riesgo de incendio, utilice sólo conductos metálicos.
9. Este aparato debe conectarse a tierra.
10. El vidrio templado puede romperse de forma espontánea. Si se rompe, el vidrio templado se cae en trozos unidos. Ocasionalmente, el vidrio templado puede romperse en pedazos grandes en vez de en trozos pequeños como ocurre habitualmente.
11. Cuando la reglamentación local aplicable sea más restrictiva en materia de instalación o certificación, dicha reglamentación prevalecerá sobre las exigencias de este manual y el instalador acepta atenerse a dicha reglamentación y asumir los gastos correspondientes.

### **PARA REDUCIR EL RIESGO DE INCENDIO DE LA GRASA ACUMULADA EN LA PARTE SUPERIOR DE LA COCINA:**

- a) Nunca deje una cocina a fuego fuerte desatendida. Los desbordamientos causan humo y derrames grasientos que pueden encenderse. Caliente el aceite lentamente y a fuego lento o mediano.
- b) Encienda la campana siempre que cocine a fuego fuerte o al flambear alimentos (p. ej., Creps Suzette, cerezas Jubilee, carne de res flambeada con pimienta).
- c) Limpie los ventiladores con frecuencia. No debe dejarse que se acumule la grasa en el ventilador, filtros o conductos de salida.
- d) Use sartenes, ollas y cacerolas del tamaño adecuado a las dimensiones de la placa eléctrica o fuego. Utilice siempre recipientes de cocina apropiados para el tamaño de la placa eléctrica o fuego.

## **⚠️ ADVERTENCIA**

### **PARA REDUCIR EL RIESGO DE LESIONES PERSONALES EN CASO DE INCENDIO DE LA GRASA ACUMULADA EN LA PARTE SUPERIOR DE LA COCINA, SIGA ESTAS INDICACIONES\*:**

1. SOFOQUE LAS LLAMAS con una tapa bien ajustada, una bandeja metálica u hoja para hacer galletas y, a continuación, apague el quemador. **TENGA CUIDADO DE NO QUEMARSE.** Si las llamas **NO SE APAGAN INMEDIATAMENTE, EVACÚE EL LUGAR INMEDIATAMENTE Y LLAME A LOS BOMBEROS.**
2. **NO TRATE NUNCA DE SUJETAR UNA SARTÉN EN LLAMAS:** podría quemarse.
3. **NO USE AGUA,** ni trapos de cocina o toallas húmedos: esto podría causar una violenta explosión de vapor.
4. Use un extintor **SÓLO** si:
  - A. Tiene un extintor de tipo ABC y sabe cómo funciona.
  - B. El fuego es pequeño y se limita a la zona donde comenzó.
  - C. Ya llamó a los bomberos.
  - D. Puede combatir el fuego disponiendo de un lugar de salida a su espalda.

\* Basado en "Kitchen Fire Safety Tips" (consejos de seguridad contra incendios de cocina) publicado por la NFFPA.

## **PRECAUCIÓN**

1. Sólo para uso interior.
2. Sólo para ventilación general. No lo use para evacuar materias ni vapores peligrosos o explosivos.
3. Para evitar daños en los cojinetes del motor y ventiladores ruidosos o desequilibrados, mantenga la pulverización del cartón yeso, el polvo de construcción, etc. lejos de la unidad de alimentación.
4. El motor de la campana tiene un dispositivo de sobrecarga térmica que apaga automáticamente el motor si se sobrecalienta. El motor volverá a funcionar cuando se enfríe. Si el motor sigue apagándose y encendiéndose, haga que un técnico examine la campana.
5. La distancia mínima entre la campana y la superficie sobre la que se cocina no debe ser inferior a 30". Se aconseja una distancia máxima de 36" por encima de la superficie sobre la que se cocina para capturar mejor las impurezas que se producen al cocinar.
6. Se recomienda que haya dos personas para instalar la campana dadas sus grandes dimensiones y su peso.
7. Para reducir el riesgo de incendio y expulsar el aire debidamente, compruebe que el aire vaya al exterior. No lleve el aire a espacios situados entre paredes, en el techo o en un desván, en sótanos pequeños ni en cocheras.
8. Dada la alta capacidad de expulsión de aire de esta campana, debe asegurarse de que en la casa entra aire suficiente. Abra una ventana en o cerca de la cocina.
9. Para reducir el riesgo de incendio o de descarga eléctrica, los modelos de la serie Best ICB3I sólo deben instalarse con sus propios ventilador impelente incorporado.
10. Para mayor información sobre otras exigencias, lea la etiqueta de especificaciones que viene en el aparato.
11. Esta campana está equipada con un receptor de RF. Vea la página siguiente para advertencia relacionada.

## ⚠ ADVERTENCIA

Esta campana está equipada con un receptor de RF (control remoto opcional se vende por separado). Los cambios o modificaciones no aprobadas expresamente por la parte responsable del cumplimiento podrían anular la autoridad del usuario para operar el equipo. Este control remoto ha sido probado y cumple con los límites establecidos para un dispositivo digital de clase B, acorde a la parte 15 del Reglamento de la FCC e ICES-003 canadiense. Estos límites están diseñados para proporcionar una protección razonable contra interferencias perjudiciales en una instalación residencial. Este control remoto genera, utiliza y puede irradiar energía de radiofrecuencia y, si no se instala y utiliza de acuerdo con las instrucciones, puede causar interferencias perjudiciales a las comunicaciones por radio. Sin embargo, no hay garantía de que no se produzcan interferencias en una instalación particular. Si este equipo causa interferencias perjudiciales para la recepción de radio o televisión, lo cual puede determinarse apagando y encendiendo el equipo, se recomienda al usuario que intente corregir la interferencia por una o varias de las siguientes medidas:

- Reoriente o cambie la localización de la antena receptora
- Aumentar la distancia entre el equipo y el receptor
- Conecte el equipo en un tomacorriente localizado en un circuito diferente al que está conectado el receptor

## TABLA DE CONTENIDO

1.	INSTALACIÓN DE LOS TUBOS .....	3
2.	PREPARACIÓN DE LA INSTALACIÓN .....	4
3.	MIDA LA INSTALACIÓN .....	4
4.	INSTALE EL SOPORTE DE MONTAJE.....	5
5.	MONTE LOS SOPORTES DE ESCUADRA.....	6
6.	QUITE LOS FILTROS HÍBRIDOS .....	7
7.	INSTALACIÓN DE LOS PANELES DE VIDRIO (SERIE SBN SOLAMENTE).....	7
8.	PREPARE LA CAMPANA (TODOS LOS MODELOS).....	8-9
9.	INSTALE LA CAMPANA .....	9-10
10.	CONEXIÓN DEL CABLEADO .....	11
11.	VUELVA A INSTALAR LOS FILTROS HÍBRIDOS.....	11
12.	ILUMINACIÓN LED .....	12
13.	CUIDADO.....	12
14.	FUNCIONAMIENTO .....	13-14
15.	DIAGRAMA ELÉCTRICO .....	14
16.	PIEZAS DE RECAMBIO .....	15
17.	GARANTÍA .....	16

## 1. INSTALACIÓN DE LOS TUBOS

Planifique dónde y como se van a colocar los conductos.

Un tubo recto y corto permitirá que la campana funcione más eficazmente.

Instale tuberías, codos y capuchones para tejado o murales del tamaño adecuado. Conecte la tubería metálica al capuchón y vaya retrocediendo hasta el lugar donde instalará la campana. Utilice cinta metálica de 2" para sellar las juntas.

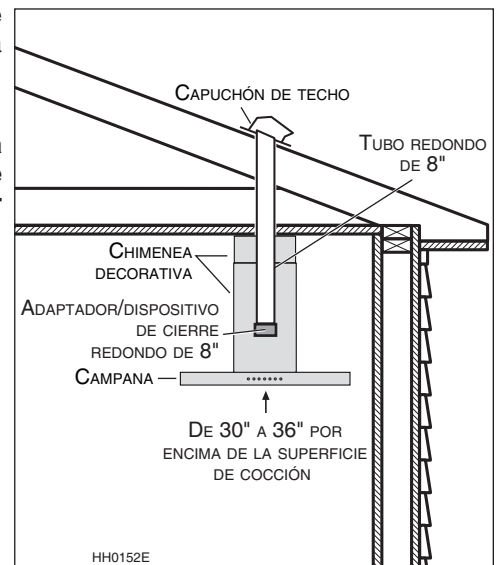
Lleve un cable de alimentación de tres hilos hasta el lugar de la instalación.

**La distancia mínima entre la campana y la superficie sobre la que se cocina no debe ser inferior a 30 pulgadas. Se aconseja una distancia máxima de 36 pulgadas con respecto a la superficie sobre la que se cocina para captar mejor las impurezas que se desprenden al cocinar.**

ALTURA DEL TECHO	8'	9'	10'*
DISTANCIA MÍNIMA RECOMENDADA POR ENCIMA DE LA SUPERFICIE DE COCCIÓN	30"	30"	30"
DISTANCIA MÁXIMA RECOMENDADA	34"	36"	36"

Una distancia de más de 36 pulgadas quedan a discreción del instalador y del usuario.

\*Se requiere una prolongación de la chimenea decorativa para techos de 10 pies, modelo AEICB3SB (acero inoxidable) o AEICB3BLS (acero inoxidable negro) (vendida aparte).



## 2. PREPARACIÓN DE LA INSTALACIÓN

### ⚠ ADVERTENCIA

Se aconseja llevar lentes y guantes de seguridad para instalar, reparar o limpiar la unidad.

NOTA: Antes de comenzar la instalación, verificar el contenido de la caja. Si alguna pieza falta o está dañada, póngase en contacto con el fabricante.

Compruebe que el conjunto para la instalación contiene los elementos siguientes:

- Campana
- Accesorios
  - Conjunto de la chimenea decorativa (parte inferior y superior)
  - 2 filtros híbridos
  - 1 soporte de montaje en el techo (atornillado en la parte superior de la campana)
  - 8 soportes de escuadra
  - Adaptador/compuerta redondo de 8" (en una caja aparte)
  - Bolsa de piezas (pegada dentro de la caja del ventilador), que incluye: 2 conectores de hilos, 1 abrazadera de hilos, 8 tornillos para madera n.º 10 x 1 1/2", 8 arandelas de acero, 10 tornillos quadrex n.º 8 x 3/8", 17 contratueras con reborde n.º 10-32, 50 tornillos quadrex de cabeza hexagonal n.º 10-32 x 1/2", 2 tornillos Phillips n.º 8 x 1/2" de perfil bajo, 2 tornillos quadrex n.º 8 x 1/2" negro.

Piezas vendidas aparte:

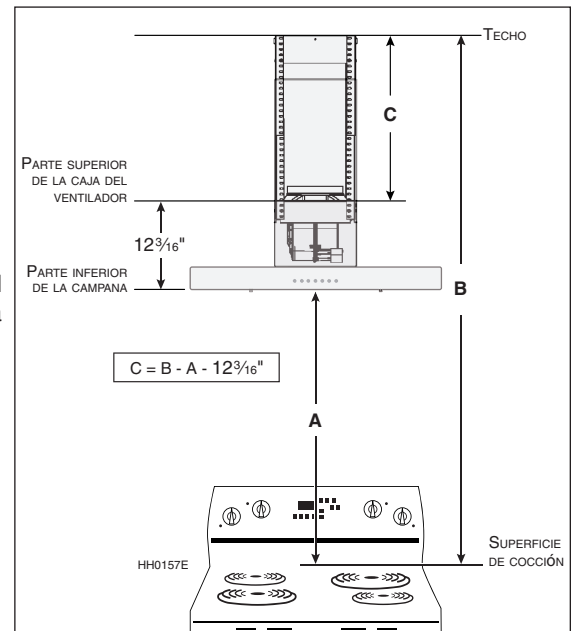
- Conductos, codos, capuchones murales y para tejado.
- Prolongación opcional de la chimenea decorativa para techos de 10 pies, modelo n.º AEICB3SB (acero inoxidable) o modelo n.º AEICB3BLS (acero inoxidable negro).
- Mando a distancia opcional (modelo n.º ACR3).
- Paneles de vidrio para el modelo ICB3136SBN (consulte la lista de piezas de recambio).

NOTA: Durante la instalación, proteja la encimera y la superficie de cocción.

## 3. MIDA LA INSTALACIÓN

Determine la distancia necesaria entre el techo y la parte superior de la caja del ventilador (**C**) basándose en la altura del techo (**B**) y en la altura deseada de la campana por encima de la superficie de cocción (**A**).

NOTA:  $C = B - A - 12 \frac{3}{16}"$

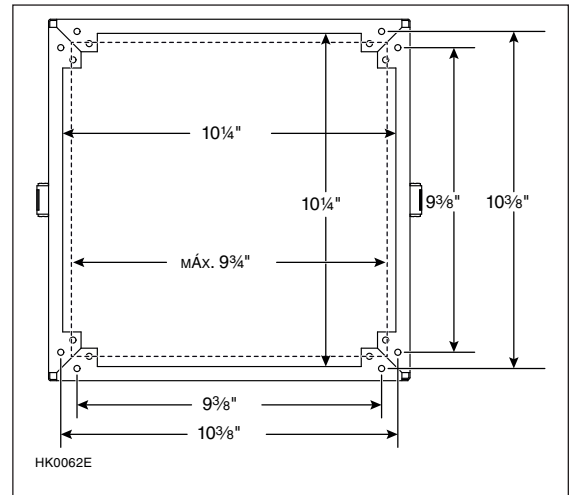


## 4. INSTALE EL SOPORTE DE MONTAJE

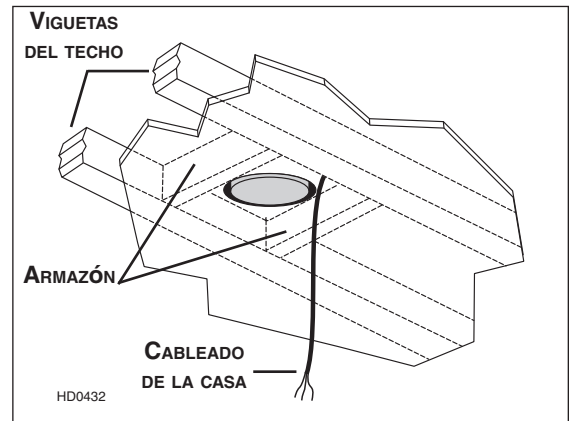
### ⚠ ADVERTENCIA

Al construir una estructura de madera, siga siempre todos los códigos y normas de construcción correspondientes.

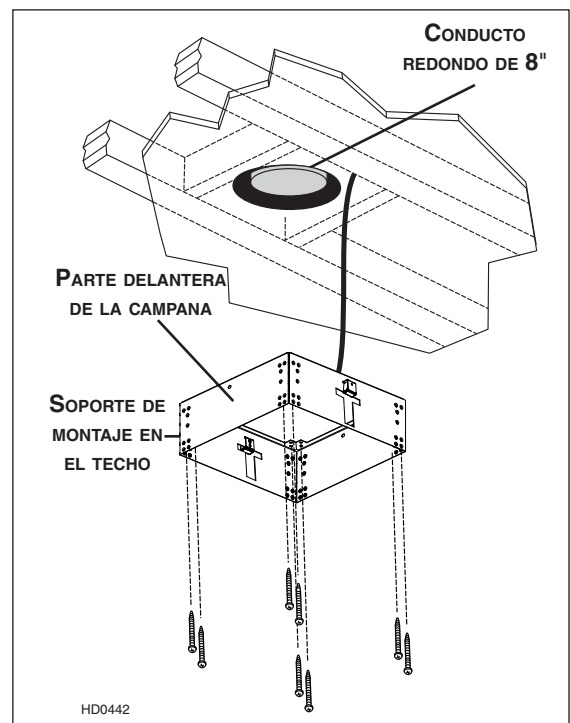
1. Modifique la estructura del techo en la ubicación de la campana. Instale un armazón de 2" x 4" entre las viguetas del techo utilizando para ello las dimensiones del soporte de montaje en el techo que se muestran a la derecha. La estructura de madera debe tener unas dimensiones suficientes para soportar el peso total de la campana y no debe ser mayor de 9 3/4" x 9 3/4".



2. Termine la superficie del techo asegurándose de que el techo esté a nivel en todos los sentidos. No olvide marcar la ubicación de las viguetas del techo y del armazón. Pase el cableado de la casa a través del techo terminado.

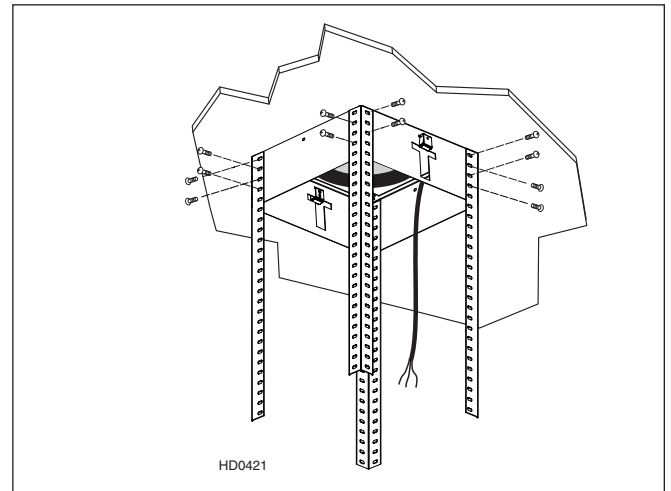


3. Retirar ambos tornillos que sujetan el soporte de montaje en el techo a la parte superior de la campana. Deseche los tornillos. **Coloque la placa de montaje de tal manera que uno de los lados sin una "T" esté frente a la parte delantera de la campana.** Fije el soporte de montaje al techo con 8 tornillos para madera n.º 10 x 1 1/2" (2 en cada esquina). Asegúrese de que los tornillos se introduzcan en el centro del armazón para máxima resistencia.



## 5. MONTE LOS SOPORTES DE ESCUADRA

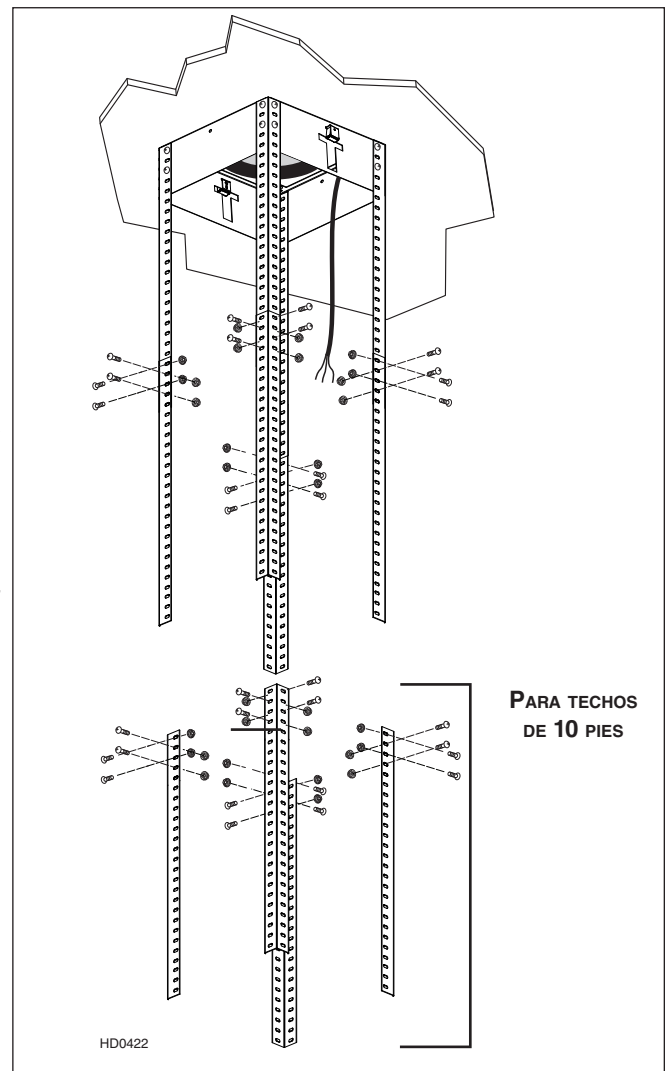
1. Monte 4 soportes de escuadra en el soporte de montaje en el techo con 16 tornillos quadrex n.º 10-32 x 1/2" (4 por soporte de escuadra).



2. Determine la longitud de los soportes de escuadra basándose en la altura del techo y en la altura deseada de la campana por encima de la superficie de cocción. Si es necesario, monte un segundo conjunto de 4 soportes de escuadra sobre el conjunto superior de soportes de escuadra, según la longitud necesaria. Use 16 tornillos quadrex n.º 10-32 x 1/2" y 16 contratuercas n.º 10-32 (4 en cada conexión con un soporte de escuadra).

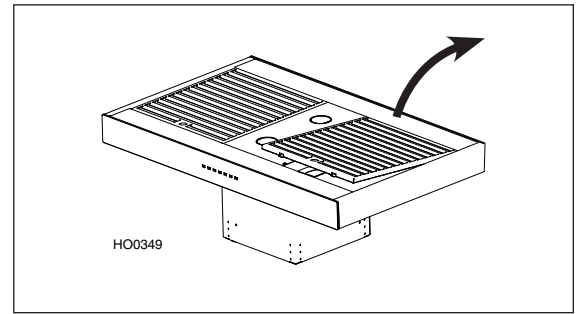
### **PARA TECHOS DE 10 PIES:**

Las partes inferior y superior de la chimenea decorativa vienen con la campana, pero para un techo de 10 pies, deseche la parte superior y utilice la prolongación opcional de la chimenea, n.º de pieza AEICB3SB (acero inoxidable) o AEICB3BLS (acero inoxidable negro) (se venden aparte). Con la prolongación opcional de la chimenea vienen otros cuatro soportes de escuadra y piezas de montaje. Si es necesario, monte un tercer conjunto de 4 soportes de escuadra sobre el segundo conjunto de soportes de escuadra, según la longitud necesaria. Use 16 tornillos quadrex n.º 10-32 x 1/2" y 16 contratuercas n.º 10-32 (4 en cada conexión con un soporte de escuadra).



## 6. QUITE LOS FILTROS HÍBRIDOS

Coloque la campana sobre una mesa. Proteja la mesa para evitar que se dañe. Quite la cinta que hay sobre los filtros. Quite los filtros empujándolos hacia la parte posterior de la campana (lado opuesto al lado de los controles), voltee los y póngalos a un lado.



## 7. INSTALACIÓN DE LOS PANELES DE VIDRIO (SERIE SBN SOLAMENTE)

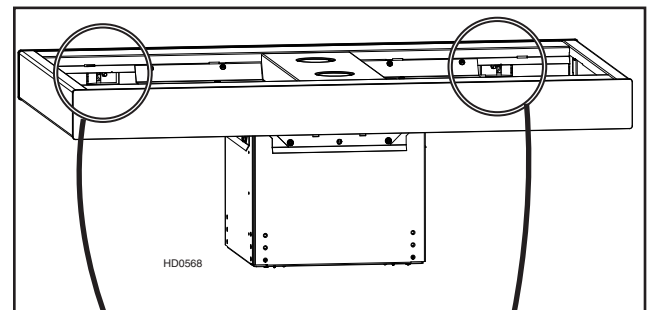
Los paneles de vidrio para el modelo SBN están vendidos aparte y deben ser instalados antes de completar la instalación.

1. Saque con cuidado el panel de vidrio de su embalaje. Retire las tuercas del panel de vidrio nuevo (instaladas en fábrica) de ambos espárragos y póngalas a un lado.

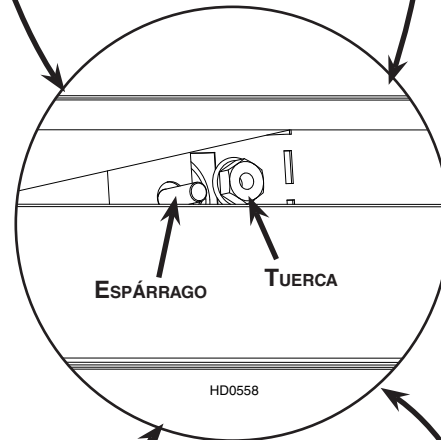
### UBICACIÓN DE LOS ESPÁRRAGOS DELANTEROS DEL PANEL DE VIDRIO

2. Introduzca los espárragos del nuevo panel de vidrio en los agujeros apropiados de la campana.

NOTA: Instale el panel de vidrio con los pictogramas de control en la parte delantera de la campana.

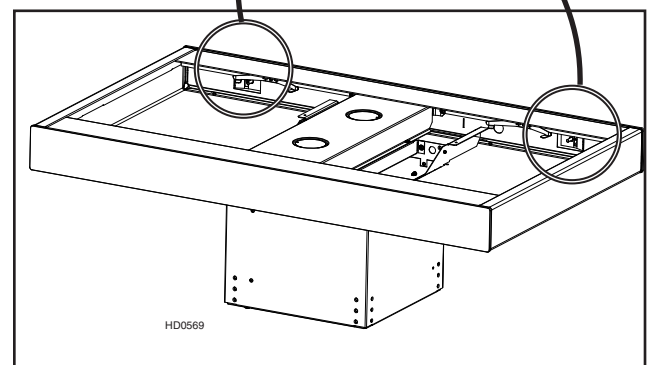


3. Mientras mantiene el panel de vidrio, apriete a mano las tuercas que retiró anteriormente. Compruebe que el panel de vidrio está centrado. A continuación, utilice una llave de 3/8" para apretar bien las tuercas.



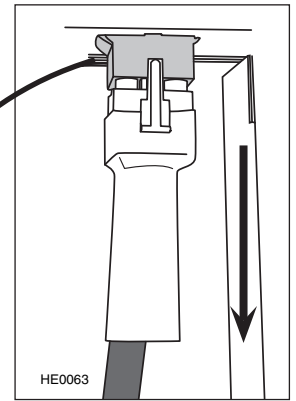
### UBICACIÓN DE LOS ESPÁRRAGOS TRASEROS DEL PANEL DE VIDRIO

4. Repita las mismas etapas para instalar el segundo panel de vidrio.

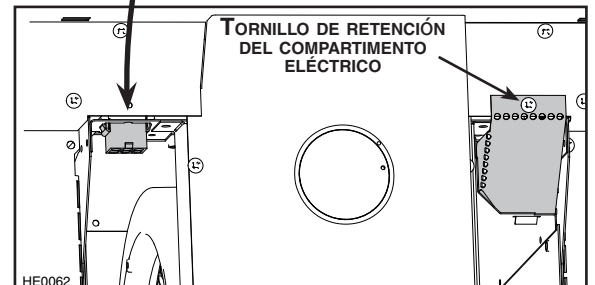


## 8. PREPARE LA CAMPANA (TODOS LOS MODELOS)

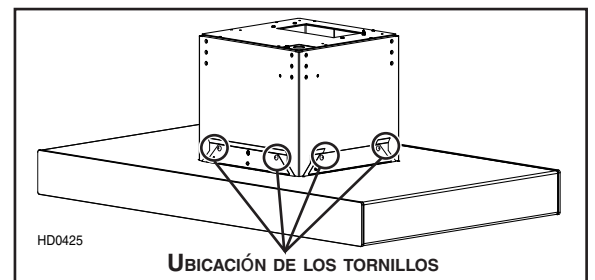
1. Desconecte el ventilador desde el interior de la campana.



2. Retire el tornillo de sujeción de la tapa de la caja eléctrica. Ponga a un lado la tapa y el tornillo.

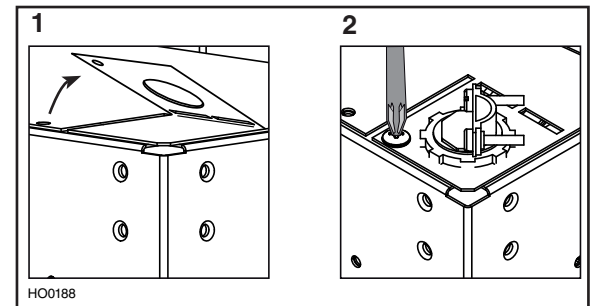


3. Gire la campana y quite los 8 tornillos que sujetan la caja del ventilador (a la derecha sólo se muestran 4 de los 8 tornillos). Ponga a un lado la campana y los tornillos.

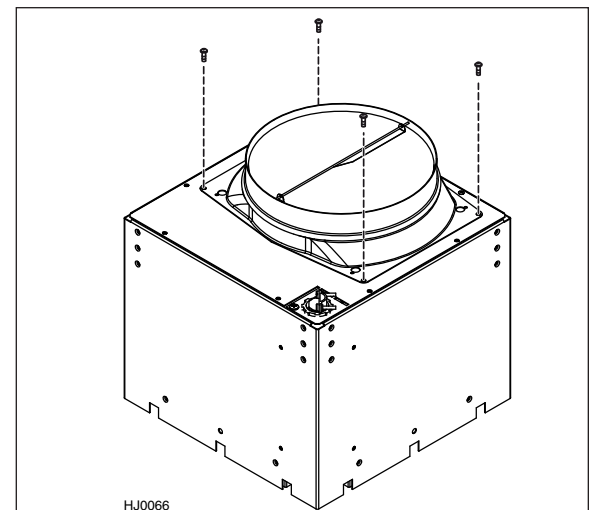


4. Levante la tapa situada en la esquina superior derecha de la caja del ventilador (1) para facilitar la instalación de la abrazadera de hilos (incluida). Instale la abrazadera de hilos y vuelva a poner la tapa en su lugar. Fije la tapa a la caja del ventilador (2) con 1 tornillo quadrex n.º 8 x 3/8".

NOTA: Instale la abrazadera de hilos en diagonal (como se muestra en la imagen 2), de lo contrario será difícil apretar sus tornillos una vez que la caja del ventilador se haya fijado a los soportes de escuadra.



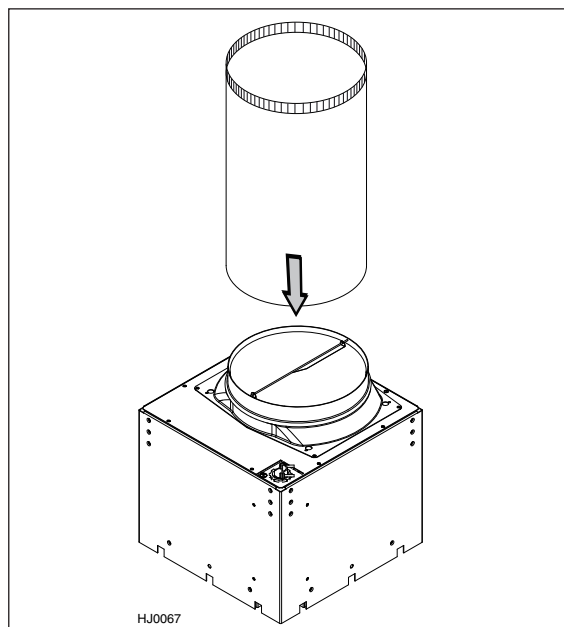
5. Sujete el adaptador/compuerta a la caja del ventilador utilizando 4 tornillos quadrex n.º 8 x 3/8" (incluidos). Quite la cinta que hay sobre la compuerta.





## 8. PREPARE LA CAMPANA (TODOS LOS MODELOS) (CONT.)

6. Mida la longitud necesaria de conducto metálico redondo de 8" entre el adaptador/compuerta y el conducto del techo. Conecte esta sección del conducto al adaptador/compuerta y selle la junta con cinta adhesiva metálica.



## 9. INSTALE LA CAMPANA

### ⚠ ADVERTENCIA

**TENGA CUIDADO** al instalar la chimenea decorativa y la campana, pueden tener bordes cortantes.

### PRECAUCIÓN

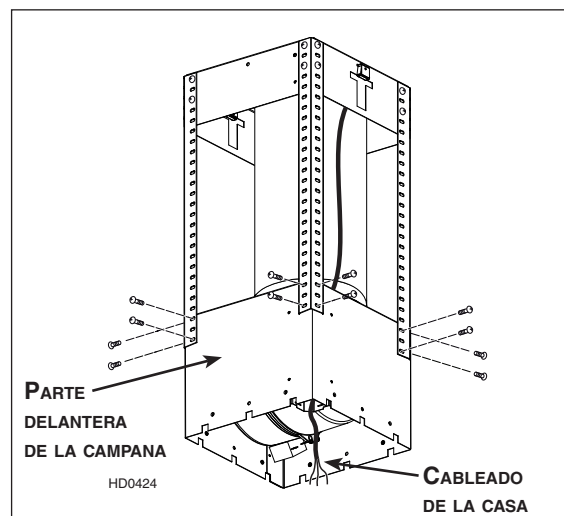
**NO RETIRE** aún la película protectora de plástico que cubre la chimenea decorativa (parte superior e inferior).

1. Fije el conjunto de la caja del ventilador a los soportes de escuadra inferiores utilizando 16 tornillos quadrex n.º 10-32 x 1/2" (4 por cada soporte de escuadra). Conecte el conducto de la campana al conducto del techo y selle la junta con cinta adhesiva metálica.

NOTA: Asegúrese de que la canalización eléctrica esté frente a la parte delantera de la campana.

2. Pase el cableado de la casa a través de la abrazadera de hilos en la canalización eléctrica de la caja del ventilador. Apriete la abrazadera de hilos para sujetar el cableado de la casa a la caja del ventilador.

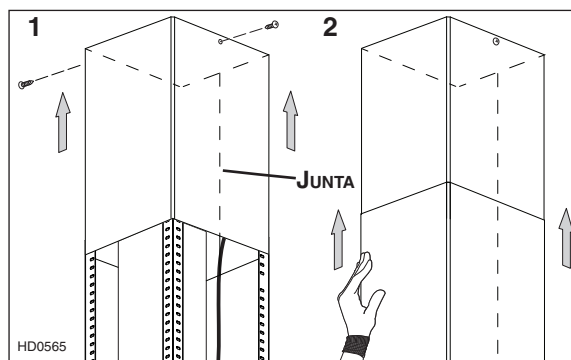
NOTA: La longitud entre la parte superior de la caja del ventilador y la parte inferior de la campana es 12 3/16".



3. Deslice la parte superior de la chimenea decorativa hasta el techo y fíjela a la placa de montaje mediante 2 tornillos quadrex n.º 8 x 1/2" por el modelo acero inoxidable o 2 tornillos quadrex negro n.º 8 x 1/2" por el modelo acero inoxidable negro (1).

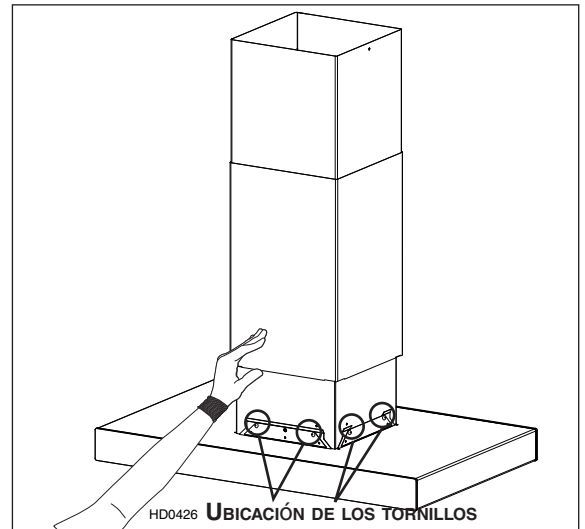
NOTA: Asegúrese de que la junta de la chimenea decorativa esté en el lado opuesto a los controles de la campana.

Deslice cuidadosamente la parte inferior de la chimenea decorativa sobre la parte superior hasta el techo y haga que una segunda persona la sujete en el techo (2) mientras se realiza la etapa 4, o sujétela con cinta adhesiva apropiada.



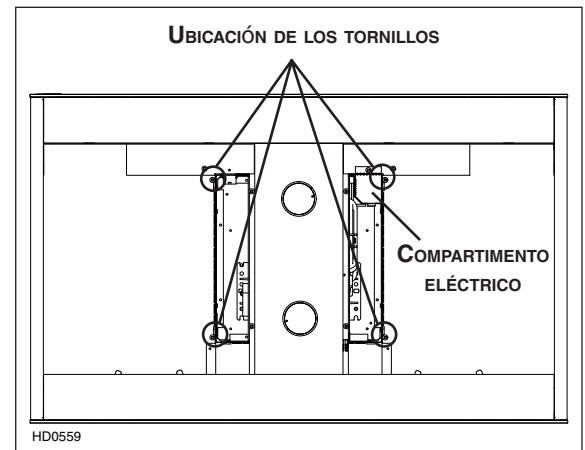
## 9. INSTALE LA CAMPANA (CONT.)

4. Fije la campana a la caja del ventilador utilizando los 8 tornillos extraídos anteriormente en la etapa 8.3 (en la ilustración de la derecha sólo se muestran 4 de los 8 tornillos). Asegúrese de que el cableado de la casa entra en el compartimento eléctrico.



5. Deslice hacia abajo la parte inferior de la chimenea decorativa en la parte superior de la campana y fíjela desde el interior de la campana utilizando 4 tornillos quadrex n.º 8 x 3/8" (incluidos).

6. Retire la película protectora de plástico de la campana y de la chimenea decorativa.



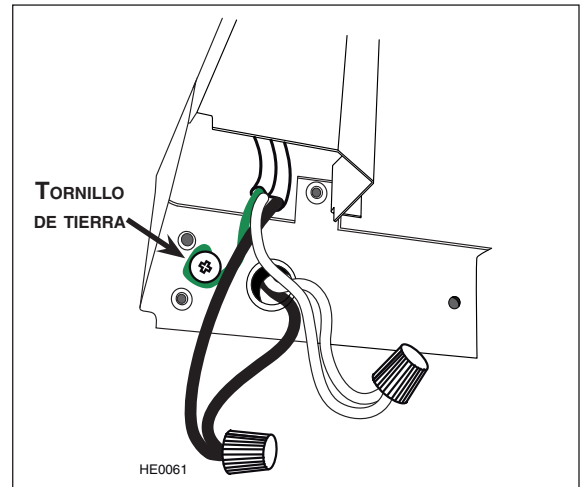
## 10. CONEXIÓN DEL CABLEADO

### ⚠ ADVERTENCIA

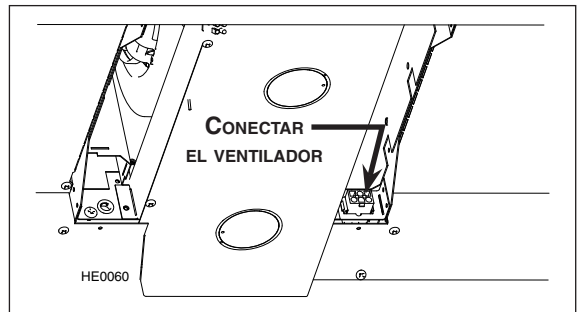
Riesgo de choque eléctrico. La conexión eléctrica debe hacerla personal competente con arreglo a los códigos y normas en vigor. Antes de conectar los hilos, corte la alimentación en el tablero de servicio y bloquee los medios de desconexión para impedir que la corriente se conecte accidentalmente.

1. Con los conectores, conecte el cable de la campana al cable de conexión doméstico. Conecte los hilos de la manera siguiente: el NEGRO con el NEGRO, el BLANCO con el BLANCO y el VERDE o desnudo en el tornillo de tierra. **NO OLVIDE CONECTAR LA TIERRA.**

Vuelva a instalar la tapa de la caja eléctrica asegurándose de que sus 3 pestañas estén bien metidas en la canalización eléctrica.



2. Conecte el ventilador.

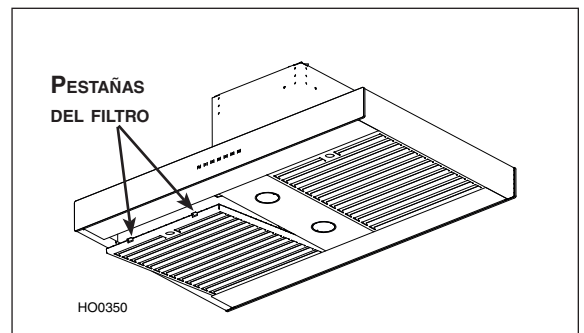


## 11. VUELVA A INSTALAR LOS FILTROS HÍBRIDOS

### PRECAUCIÓN

Quite la película protectora de plástico que cubre los filtros antes de volver a instalarlos.

Apoye el borde trasero de los filtros en los resortes de los filtros de la campana. Inclíne los filtros para colocarlos en su posición. Asegúrese de que las pestañas de los filtros estén bien encajadas en las ranuras del borde delantero de la campana tras la instalación.



## 12. ILUMINACIÓN LED

La luz de esta campana proviene de dos módulos LED (incluidos).

### ⚠ ADVERTENCIA

**No toque los módulos LED cuando estén encendidos o poco después de apagarlos. Podría quemarse. No es sustituible por ningún otro tipo de lámpara o de módulo LED.**

## 13. CUIDADO

### ⚠ ADVERTENCIA

**Antes del mantenimiento o de la limpieza del aparato, apague la alimentación en el tablero de servicio y bloquee el tablero para evitar que se conecte la corriente accidentalmente. Cuando no se puedan bloquear los medios de desconexión de servicio, coloque firmemente un dispositivo de aviso visible, como una etiqueta, en el tablero de servicio.**

#### FILTROS HÍBRIDOS

Los filtros híbridos deben limpiarse mensualmente. Retire los filtros empujándolos hacia la parte posterior de la campana y girándolos hacia abajo. Utilice una solución de detergente de lavavajillas caliente. Deje que los filtros sequen completamente antes de volver a instalarlos. Las placas de los filtros pueden lavarse en el lavavajillas. Limpie los filtros totalmente metálicos en el lavavajillas con un detergente sin fosfato. El filtro podría descolorarse si se utiliza un detergente con fosfato o debido al tipo de agua, pero esto no afecta su funcionamiento. Este descoloramiento no está cubierto por la garantía.

#### ACERO INOXIDABLE

##### **Debe hacerse:**

- Lavar regularmente con un paño limpio o un trapo empapado con agua tibia y jabón suave sin fosfato o detergente líquido para vajillas.
- Limpiar siempre en la dirección de las líneas originales de pulido del metal.
- Enjuagar siempre con agua limpia (2 o 3 veces) después de limpiar. Secar completamente.
- También puede utilizar un limpiador doméstico especial para acero inoxidable.

##### **No debe hacerse:**

- Utilizar un estropajo de acero o acero inoxidable u otro tipo de rasquetas para quitar la suciedad resistente.
- Utilizar limpiadores fuertes o abrasivos.
- Dejar que la suciedad se acumule.
- Dejar que el polvo del yeso u otros residuos de la construcción manchen la campana. Si efectúa obras de construcción o renovación, cubra la campana para que no se manche la superficie de acero inoxidable.

#### PANEL DE VIDRIO

Habitualmente sólo se necesita agua caliente y un jabón suave o un limpiador de cristales. Cuando se use jabón suave, enjuague con agua limpia. Seque con un paño limpio y suave para evitar marcas de agua.

##### **Al escoger un detergente, evite:**

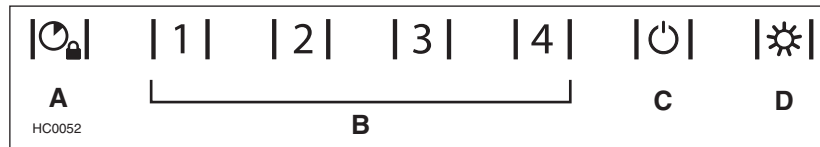
- Los limpiadores que contienen **blanqueador** (lejía), ya que dañarán el acero inoxidable.
- Los productos que contengan **cloruro, fluoruro, yoduro y bromuro**, ya que deterioran las superficies rápidamente.
- Los productos combustibles que se emplean para la limpieza, como **acetona, alcohol, éter, bencol**, etc., ya que son altamente explosivos y nunca deberían estar cerca de una cocina.

## 14. FUNCIONAMIENTO

Ponga en marcha siempre la campana antes de empezar a cocinar para crear una corriente de aire en la cocina. Deje que el ventilador funcione durante unos minutos para limpiar el aire una vez apagada la cocina.

### PRECAUCIÓN

**Después de una interrupción de la alimentación eléctrica o durante el encendido de la campana se produce una secuencia de arranque de 5 segundos. Espere a que la retroiluminación del control se apague antes de usar el aparato.**



#### **A. BOTÓN DE APAGADO DIFERIDO/BLOQUEO DE LOS CONTROLES (BOTÓN DE DOBLE FUNCIÓN):**

- Cuando seleccione una velocidad del ventilador, presione este botón para activar la función de apagado diferido. El botón de apagado diferido se iluminará a su máxima intensidad y luego pasará a intensidad intermedia para indicar que esta función está activada; el botón de velocidad del ventilador seleccionado alternará cada 2 segundos entre su máxima intensidad y su intensidad intermedia. El ventilador seguirá funcionando 5 minutos y se detendrá automáticamente. Seleccionar otra velocidad mientras está activada la función de apagado diferido no desactivará la función ni restablecerá el temporizador. Para cancelar la función de apagado diferido, presione de nuevo el botón de apagado diferido, o presione el botón de velocidad seleccionado, lo cual hará que se apague el ventilador también.
- Cuando el ventilador está apagado, es posible bloquear la interfaz de control con el fin de limpiar el panel de vidrio. Para bloquear la interfaz de control: Pulse y mantenga pulsado este botón durante 2 segundos. El botón se iluminará a su máxima intensidad, parpadeará tres veces y permanecerá en su intensidad intermedia para indicar que la interfaz de control está bloqueada. Para desbloquear la interfaz de control: Pulse y mantenga pulsado este botón durante 2 segundos. El botón se iluminará a su máxima intensidad, parpadeará tres veces y se atenuará hasta su intensidad más baja para indicar que la interfaz de control se ha desbloqueado.

#### **B. BOTONES DE SELECCIÓN DE VELOCIDAD:**

Pulse el botón correspondiente a la velocidad del ventilador deseada (de **1**, para velocidad baja, a **4**, para velocidad alta). El botón de velocidad seleccionado se iluminará a su máxima intensidad y luego se atenuará hasta su intensidad intermedia. Para apagar el ventilador, presione una vez más en el botón de velocidad del ventilador correspondiente; la luz del botón se atenuará hasta su intensidad más baja.

NOTA: Cuando el ventilador está apagado, al pulsar el botón de velocidad del ventilador **1**, el ventilador se pondrá en marcha en la segunda velocidad brevemente y, a continuación, pasará a la velocidad **1**.

#### **C. BOTÓN DE ENCENDIDO Y APAGADO GENERAL:**

Cuando el ventilador y las luces están apagados, pulse este botón para encender la campana en la última velocidad y en la última intensidad de la luz memorizadas. Si no hay ningún nivel de velocidad ni de intensidad de la luz memorizadas, la velocidad del ventilador será la **1** y la intensidad de la luz será la **3**. Pulse este botón una vez para apagar el ventilador y la luz simultáneamente.

**HEAT SENTRY™:** Esta campana viene equipada con un termostato Heat Sentry. Si el ventilador está encendido en una velocidad baja y se detecta un calor excesivo por encima de la superficie de cocción, el termostato hace pasar el ventilador a la tercera velocidad. Cuando la temperatura baja a la temperatura ambiente, el ventilador vuelve a su configuración original.

NOTA: Cuando el termostato Heat Sentry está activado, la función de apagado diferido se desactiva.

### ⚠ ADVERTENCIA

**El dispositivo Heat Sentry puede cambiar la velocidad del ventilador cuando detecta calor excesivo por encima de la superficie de cocción. Si se produce esta situación y debe detener el ventilador, presione el botón de la tercera velocidad o el botón de apagado y encendido general.**

## 14. FUNCIONAMIENTO (CONT.)

### D. BOTÓN DE LA LUZ/COLOR DE LA RETROILUMINACIÓN (BOTÓN DE DOBLE FUNCIÓN):

- i. Este botón permite tres niveles de iluminación diferentes según sus necesidades. Presione una vez para obtener la intensidad máxima, dos veces para la intensidad intermedia, y una vez más para la luz nocturna. Para apagar las luces, presione una vez más. Si lo desea, cuando las luces están encendidas, mantenga presionado el botón de la luz durante 1 segundo y las luces se apagarán.

NOTA: Cuando únicamente las luces estén encendidas en cualquier intensidad y no se detecte ninguna interacción con la campana durante un período de 10 segundos, los 7 botones de la retroiluminación se atenuarán hasta su intensidad más baja, actuando así como luz nocturna.

- ii. Cuando las luces están apagadas, mantenga presionado este botón durante 1 segundo para cambiar el color de la retroiluminación del blanco al azul o del azul al blanco (el color predeterminado de la retroiluminación es el blanco) y memorizarlo. El botón parpadeará tres veces para indicar que se ha realizado el cambio de color.

NOTA: Debido a la particular sensibilidad de la interfaz de control, mantenga limpio el panel de vidrio ya que la suciedad y la condensación pueden causar un funcionamiento anómalo del ventilador de la campana y/o de las luces. Si se produce esta situación, limpie el panel de vidrio y espere 90 segundos. A continuación, ajuste el ventilador y/o las luces a su gusto.

### MANDO A DISTANCIA:

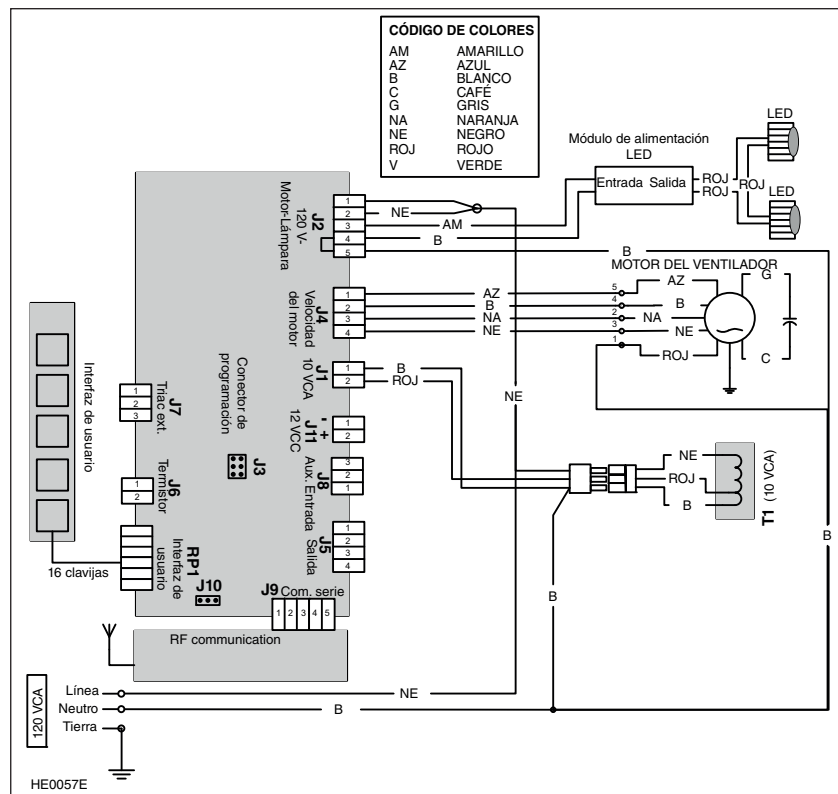
Esta campana también puede manejarse utilizando el mando a distancia opcional ACR3 (se vende aparte).

NOTA: Para obtener más información, consulte las instrucciones que vienen con el mando a distancia.

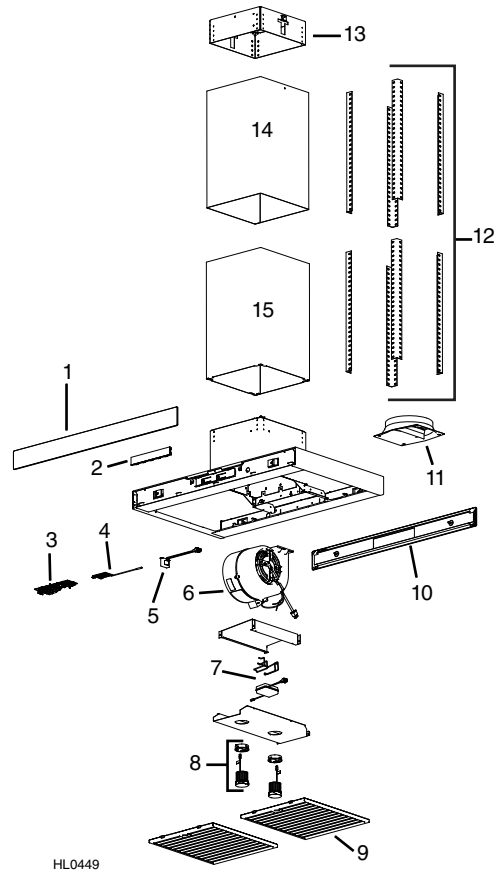
## 15. DIAGRAMA ELÉCTRICO

### ⚠ ADVERTENCIA

Riesgo de choque eléctrico. La conexión eléctrica debe hacerla personal competente con arreglo a los códigos y normas en vigor. Antes de conectar los hilos, corte la alimentación en el tablero de servicio y bloquee los medios de desconexión para impedir que la corriente se conecte accidentalmente.



## 16. PIEZAS DE RECAMBIO



HL0449

N.º	N.º PIEZA	DESCRIPCIÓN	CANT.
1	SV09956XX*	PANEL DE VIDRIO DELANTERO	1
2	SV22427	CONTROL ELECTRÓNICO	1
3	SV21221	UNIDAD DE ALIMENTACIÓN	1
4	SV20816	PLACA DE CIRCUITOS IMPRESOS PARA EL CONTROL REMOTO	1
5	SV09022	TRANSFORMADOR	1
6	SV08582	VENTILADOR INTERNO	1
7	62248	MÓDULO DE ALIMENTACIÓN LED Y MAZO DE CABLES DE CONEXIÓN	1
8	62612	MÓDULO LED (1)	2
9	SV62053	FILTRO HÍBRIDO 15.875" x 14" x 0.5" (1)	2
10	SV09957XX*	PANEL DE VIDRIO TRASERO	1
11	SV08543	ADAPTADOR/COMPUERTA REDONDO DE 8"	1
12	SV09518	KIT DE SOPORTES DE ESCUADRA (4)	2
13	SV19232	SOPORTE DE INSTALACIÓN	1
14	SV19231	TAPA DE LA PARTE SUPERIOR DE LA CHIMENEA DECORATIVA, ACERO INOXIDABLE	1
	SV66427	TAPA DE LA PARTE SUPERIOR DE LA CHIMENEA DECORATIVA, ACERO INOXIDABLE NEGRA	1
15	SV19230	TAPA DE LA PARTE INFERIOR DE LA CHIMENEA DECORATIVA, ACERO INOXIDABLE	1
	SV66428	TAPA DE LA PARTE INFERIOR DE LA CHIMENEA DECORATIVA, ACERO INOXIDABLE, NEGRA	1
**	SV23894	KIT CRT 300 PCM (OPCIONAL)	1
**	SV23866	MANUAL DE INSTALACIÓN	1
**	SV09871	BOLSA DE PIEZAS	1
**	SV05869	LOGOTIPO BEST	1

\*NÚMERO DE PIEZA SEGÚN EL COLOR DEL PANEL DE VIDRIO. PÓNGASE EN CONTACTO CON EL SERVICIO DE ATENCIÓN AL CLIENTE O CONSULTE EL SITIO WEB.

\*\*NO SE MUESTRA.

### REPUESTOS Y REPARACIONES

Para que el aparato esté en buenas condiciones, sólo debe utilizar repuestos Broan-NuTone genuinos. Los repuestos Broan-NuTone genuinos han sido diseñados especialmente para cada aparato, han sido fabricados de conformidad con todas las normas de certificación aplicables y ofrecen un alto nivel de seguridad. El uso de repuestos diferentes puede provocar daños graves y reducir drásticamente el nivel de rendimiento del aparato, lo cual podría causar una avería prematura. Broan-NuTone recomienda ponerse en contacto con un almacén de servicio certificado para todos los repuestos y reparaciones.

# 17. GARANTÍA

## Garantía limitada DE CINCO AÑOS PARA PRODUCTOS BEST®

**Periodo de garantía y exclusiones:** Broan-NuTone LLC (la «Compañía») garantiza al consumidor quien compra su producto («Usted») que el producto (el «Producto») será libre de defectos importantes de fabricación y de materiales por una duración de cinco (5) años a partir de la fecha de compra (o por una duración más larga si la ley aplicable lo exige) o un periodo de dos (2) años a partir de la fecha de prestación de un servicio sobre el Producto.

El periodo de garantía limitada para las piezas de repuesto proporcionadas por la Compañía y los Productos reparados o reemplazados bajo esta garantía limitada será el resto del periodo de garantía original (o un periodo más largo si la ley aplicable lo exige).

**ESTA GARANTÍA EXCLUYE LOS ARRANCADORES DE LÁMPARAS FLUORESCENTES, LOS TUBOS, LAS BOMBILLAS, LOS FUSIBLES, LOS FILTROS, LOS CONDUCTOS, LAS TAPAS PARA TECHO, LAS TAPAS PARA PARED Y LOS OTROS ACCESORIOS PARA CONDUCTOS.** También excluye: a) el mantenimiento normal, b) el uso y desgaste normales, c) los productos y las piezas que han sido objeto de un uso indebido, anormal o negligente, un maltrato, un accidente, un mantenimiento, almacenamiento o reparación inadecuados (excepto en caso de reparación por la Compañía), d) los daños causados por una instalación inadecuada, o por una instalación o un uso contrario a las recomendaciones o instrucciones, e) los daños causados por el contacto con el aire salino, f) los daños que ocurran durante el transporte, g) el desgaste normal del acabado, h) los Productos que son objeto de un uso comercial o no residencial, i) los daños causados por el fuego, una inundación u otro desastre natural o j) los Productos a los cuales se les haya alterado, desfigurado o removido el número de serie. Esta garantía solo cubre los Productos vendidos a consumidores de Norteamérica.

Esta garantía substituye todas las garantías anteriores y, sin perjuicio de la ley aplicable, no se puede transferir por el comprador original.

**Ninguna otra garantía:** Esta garantía limitada enuncia la única obligación de la Compañía y el único recurso que tiene Usted en cuanto a los Productos defectuosos. Las garantías enunciadas arriba son exclusivas y se anteponen a todas las otras garantías y condiciones, ya sean expresas o implícitas. **EN LA MEDIDA MÁXIMA EN QUE LO PERMITA LA LEY APLICABLE, LA COMPAÑÍA RENUNCIA A TODAS LAS OTRAS GARANTÍAS Y CONDICIONES EXPRESAS O IMPLÍCITAS POR LA LEY Y LAS EXCLUYE, INCLUYENDO, ENTRE OTRAS, LAS GARANTÍAS DE COMERCIALIZACIÓN Y LAS DE IDONEIDAD PARA UN PROPÓSITO PARTICULAR.** En la medida en que la ley aplicable prohíba la exclusión de las garantías o condiciones implícitas, la duración de cualquier garantía o condición implícita aplicable se limita al periodo indicado para la garantía expresa mencionada arriba. Ciertas jurisdicciones (incluyendo a veces la provincia de Quebec o ciertos estados de los Estados Unidos) prohíben la restricción de la duración de las garantías implícitas, así que la restricción mencionada arriba podría no aplicarse a Usted. Las descripciones orales o escritas del Producto tienen como único propósito identificar al Producto y no se deben interpretar como una garantía expresa.

Cuando sea posible, cada disposición de esta garantía limitada se debe interpretar de manera que tenga plena validez y efectos legales bajo la ley aplicable, pero en el caso de que se declare prohibida o nula una disposición, ésta será nula solo en la medida en que lo prevea esta prohibición o nulidad, sin efecto para los otros elementos de esta disposición o las otras disposiciones de esta garantía limitada.

**Recurso:** Durante el periodo de garantía limitada aplicable, la Compañía, según su criterio, proporcionará piezas de repuesto o servicios de reparación o reemplazo sin cargo alguno para cualquier Producto o pieza de Producto, en la medida en que la Compañía constata a) que esta garantía cubre este Producto o esta pieza bajo un uso y mantenimiento normales y b) que la garantía queda incumplida. La Compañía le enviará el Producto reparado, el producto de reemplazo o las piezas de repuesto sin cargo alguno. Usted tendrá que pagar todos los costos de desinstalación, reinstalación y envío así como los otros cargos de transporte relacionados con el envío del Producto o la pieza a la Compañía. Si Usted debe enviar el Producto o la pieza a la Compañía, conforme a las instrucciones de la misma, Usted tendrá que empaquetar el Producto o la pieza correctamente; la Compañía no es responsable de los daños que ocurran durante el transporte. La Compañía se reserva el derecho de utilizar Productos o piezas reacondicionados, renovados, reparados o remanufacturados para la reparación o el reemplazo bajo esta garantía. Estos Productos y piezas serán comparables en cuanto a la función y el rendimiento con el Producto o la pieza original y serán garantizados por la duración restante del periodo de garantía original (o por una duración más larga si la ley aplicable lo exige). La Compañía se reserva el derecho, según su exclusivo criterio, de reembolsar el monto que Usted haya realmente pagado por el Producto. Si el Producto o la pieza ya no está disponible, la Compañía puede, según su exclusivo criterio, reemplazarlo con un producto similar de valor igual o superior. Esto constituye su único y exclusivo recurso en caso de incumplimiento de esta garantía limitada.

**Exclusión de los daños: LA OBLIGACIÓN DE LA COMPAÑÍA DE PROPORCIONAR PIEZAS DE REPUESTO O DE REPARAR O REEMPLAZAR EL PRODUCTO, SEGÚN SU CRITERIO, ES EL ÚNICO Y EXCLUSIVO RECURSO QUE TIENE USTED BAJO ESTA GARANTÍA LIMITADA Y LA ÚNICA OBLIGACIÓN DE LA COMPAÑÍA. ÉSTA NO SERÁ RESPONSABLE DE LOS DAÑOS INCIDENTALES, INDIRECTOS, CONSECUENTES O ESPECIALES CAUSADOS DIRECTAMENTE O INDIRECTAMENTE POR EL PRODUCTO, SU USO O SU RENDIMIENTO.**

Puesto que ciertas jurisdicciones prohíben la exclusión o restricción de los daños incidentales o consecuentes, la exclusión o restricción mencionada arriba podría no aplicarse a Usted. Esta garantía le otorga derechos legales específicos, y Usted también podría tener otros derechos, los cuales pueden ser diferentes según la jurisdicción. Las renunciaciones, exclusiones y restricciones de responsabilidad bajo esta garantía no se aplican en la medida en que lo prohíba la ley aplicable. Esta garantía solo cubre el reemplazo o la reparación de las piezas o los Productos defectuosos al sitio de negocio principal de la Compañía; los gastos de viaje y estancia relacionados con los servicios de campo están excluidos. Cualquier asistencia proporcionada u obtenida para Usted por la Compañía y que no está cubierta por las condiciones, restricciones o exclusiones de esta garantía limitada no constituye una renuncia a estas condiciones, restricciones y exclusiones, y la prestación de dicha asistencia no prolongará o restablecerá la garantía.

La Compañía no le reembolsará los gastos que Usted haya hecho por la reparación o el reemplazo de un Producto defectuoso, excepto si Usted ha previamente recibido el permiso escrito de la Compañía por ellos.

**Cómo obtener el servicio de garantía:** Para tener derecho al servicio de garantía, Usted debe a) informar la Compañía a la dirección o al número de teléfono escrito aquí abajo dentro de siete (7) días después de que haya descubierto el defecto cubierto, b) dar el número de serie y los datos de identificación de la pieza y c) describir la naturaleza de cualquier defecto del Producto o de la pieza. Cuando solicite el servicio de garantía, Usted tiene que presentar una prueba de la fecha de compra original. Si no puede proporcionar una copia de la versión escrita original de la garantía limitada, las condiciones de la versión más reciente de la garantía limitada de la Compañía para su producto se aplicarán.

### ESPECIFICACIONES DEL PRODUCTO

Todas las ilustraciones y las especificaciones en este catálogo están establecidas según la información que era la más reciente en el momento en cual fue producido. Broan-NuTone LLC y BEST® se reservan el derecho de cambiar, en cualquier momento y sin previo aviso, los precios, colores, materiales, productos, especificaciones y modelos y el lugar de fabricación, así como de parar la producción de un modelo o producto.

Best

Broan-NuTone, LLC: 926 W. State Street, Hartford, WI 53207 1 800 637-1453

Best®, 550, boul. Lemire, Drummondville (Québec), Canada (1 866 737-7770) [www.bestrangehoods.com](http://www.bestrangehoods.com)