



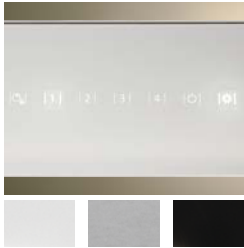
Exclusive PURLED™ light system: boosts light output by 25%, distributes light six times better and improves energy efficiency by 88%.

Two ultra-efficient hybrid baffle filters, easy to clean, for optimal grease removal.

Choice of standard white, grey and black glass colors or interchangeable optional color panels to help you personalize your kitchen décor.

Model Numbers:

30"–WCB3I30SBB	WCB3I30SBS	WCB3I30SBW	WCB3I30SBN
36"–WCB3I36SBB	WCB3I36SBS	WCB3I36SBW	WCB3I36SBN
Black	Grey	White	No Glass



Four-speed soft touch controls sit behind white, grey, black or optional glass panels to match appliance finishes or complement your kitchen décor.



PURLED™ light system boosts light output, distributes light better and improves energy efficiency.



Hybrid baffle filters provide ultra-efficient grease removal with superior air flow.

Glass colors coming in summer 2019



Emerald, Lime, Orange, Purple, Red

Hood Sizes

Widths	30", 36"
Depth	20-3/4"

Finish

Stocked	Brushed Stainless Steel with white, black or grey glass
---------	---

Features

Lighting Type	PURLED™, 5.5 watts each, 1100 Lumens, 3000K	
Number of Lamps	2	
Lighting Levels	3	
Lighting Lamps Included	Yes	
Control Type	4-speed Soft Touch	
Control Features	Heat Sentry™, Delay-off	
Remote Control	Not Available	
Filter Type	Hybrid Baffle	
Non-ducted Capability	No	

Hood Blower Included

Internal	Vertical	Horizontal*
Blower CFM Low/High	200/600	200/600
Sones Low/High	1.4/10.5	1.4/10.5

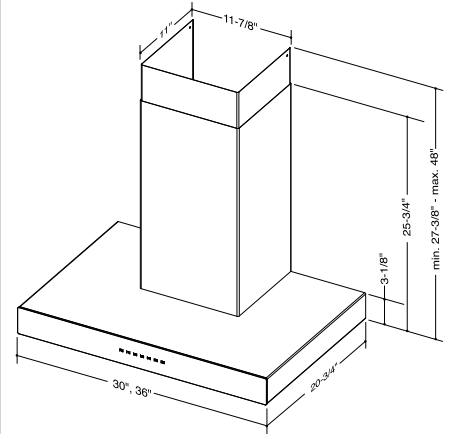
Accessories

10' Flue Extension	AEWCB3SB
Glass Panels	White, Grey, Black, Emerald, Lime, Orange, Purple, Red

Installation Requirements

Amps @ 120V	3.3
Electrical	Plug In
Duct Size: Internal Blower	3-1/4" x 10"
Duct Direction	Vertical

*Manufacturer rating



Installation height above the cooking surface: 24"–36"

Telescopic flue for 8'–9' ceiling is standard. Optional flue extension for 10' ceiling

For more details see the product specifications sheet found at www.BESTRangeHoods.com



If needed, ask a recommended installer to limit discharge to 300 CFM.

