

Blomberg®

seit 1883

Refrigerator

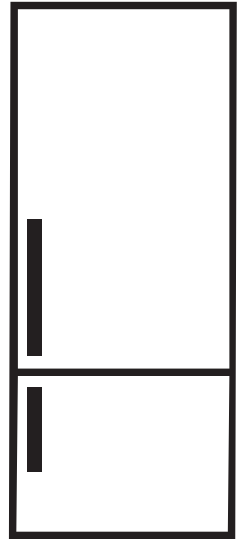
User Manual

Réfrigérateur

Manuel d'utilisation

Refrigerador

Manual del usuario



BRFB1512SS

BRFB1522SS



Please read this manual before using the product!

Dear Customer,





We'd like you to make the best use of our product, which has been manufactured in modern facilities with care and meticulous quality controls.

Thus, we advise you to read the entire user manual before you use the product. In case the product changes hands, do not forget to hand the guide to its new owner along with the product.

This guide will help you use the product quickly and safely.

- Please read the user guide carefully before installing and operating the product.
- Always observe the applicable safety instructions.
- Keep the user guide within easy reach for future use.
- Please read any other documents provided with the product.

Keep in mind that this user guide may apply to several product models. The guide clearly indicates any variations of different models.

	Important information and useful tips.
	Risk of life and property.
	Risk of electric shock.
	The product's packaging is made of recyclable materials, in accordance with the National Environment Legislation.

1 Important instructions for safety and environment **3**

- 1.1 General safety 3
 - 1.1.1 HC warning 4
 - 1.1.2 For products with a water dispenser 4
- 1.2 Intended use 4
- 1.3 Children's safety 5
- 1.4 Compliance with WEEE Directive and Disposing of the Waste Product: 5
- 1.5 Compliance with RoHS Directive: 5
- 1.6 Package information 5

2 Your Refrigerator **7**

3 Installation **8**

- 3.1. Right place for installation 8
- 3.2. Attaching the plastic wedges 8
- 3.3. Adjusting the stands 8
- 3.4. Power connection 9
- 3.5. Connecting the water hose to the refrigerator 9
- 3.6. Connecting the water line to the water supply 9
- 3.7. Reversing the doors 10
- 3.8. Reversing the doors 11

4 Preparation **13**

- 4.1. What to do for energy saving 13
- 4.2. First Use 13

5 Operating the product **14**

- 5.1. Indicator panel 14
- 5.2. Ice bucket 16
- 5.3. Eggholder 16
- 5.4. Fan 16
- 5.5. Vegetable bin 16
- 5.6. Zero degree compartment 16
- 5.7. Automatic ice machine 17
- 5.8. Freezing fresh food 18
- 5.9. Recommendations for storing frozen foods 18
- 5.10. Deep freezer details 19
- 5.11. Placing the food 19
- 5.12. Door open alert 19
- 5.13. Changing the opening direction of the door 19
- 5.14. Interior light 19

6 Maintenance and cleaning **20**

- 6.1. Avoiding bad odors 20
- 6.2. Protecting the plastic surfaces 20
- 6.3. Door Glasses 20

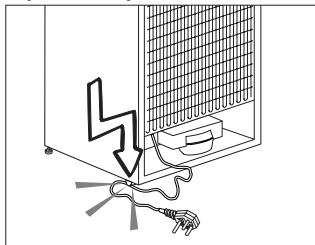
7 Troubleshooting **21**

1 Important instructions for safety and environment

This section contains safety instructions that will help protect from risk of personal injury or property damage. Failure to follow these instructions shall void any warranty.

1.1 General safety

- This product can be used by children at and above 8 years old and by persons whose physical, sensory or mental capabilities were not fully developed or who lack experience and knowledge provided that they are supervised or trained on the safe usage of the product and the risks it brings out. Children must not play with the product. Cleaning and maintenance works should not be performed by children unless they are supervised by someone.
- Unplug the product if a failure occurs while it is in use.
- If the product has a failure, it should not be operated unless it is repaired by the Authorised Service Agent. There is the risk of electric shock!
- Connect the product to a grounded outlet protected by a fuse complying with the values in the rating plate. Have the grounding installation made by a qualified electrician. Our company shall not be liable for any damages that will arise when the product is used without grounding in accordance with the local regulations.
- Unplug the product when not in use.
- Never wash the product by spreading or pouring water onto it! There is the risk of electric shock!
- Never touch the plug with wet hands! Never unplug by pulling on the cable, always pull out by grabbing the plug.
- It is recommended to clean the tip of the plug regularly with a dry cloth.



- Do not plug the refrigerator if the wall outlet is loose.
- Never connect your refrigerator to electricity-saving systems. Such systems are harmful for the product.
- Unplug the product during installation, maintenance, cleaning and repairing procedures.
- Always have the installation and repairing procedures carried out by the **Authorised Service Agent**. Manufacturer shall not be held liable for damages that may arise from procedures carried out by unauthorised persons.
- Do not eat cone ice cream and ice cubes immediately after you take them out of the freezer compartment! This may cause frostbite in your mouth!
- Do not touch frozen food by hand! They may stick to your hand!
- Do not put bottled and canned liquid beverages in the freezer compartment. They may burst!
- Never use steam and steam assisted cleaning materials to clean or defrost the refrigerator. Steam will cause short circuit or electric shock since it would get into contact with the electrical parts in the refrigerator!
- Do not use mechanical devices or other methods to accelerate the defrosting process, other than those recommended by the manufacturer.
- Never use the parts on your refrigerator such as the door and drawer as a means of support or step. This will cause the product to tip over or parts of it get damaged.
- Do not damage the cooling circuit, where the refrigerant is circulating, with drilling or cutting tools. The refrigerant that might blow out when the gas channels of the evaporator, pipe extensions or surface coatings are punctured may cause skin irritations and eye injuries.
- Do not cover or block the ventilation holes on the refrigerator with any material.
- Place the beverage with higher proofs tightly closed and vertically.
- Do not use gaseous sprays near the product since there is the risk of fire or explosion!
- Flammable items or products that contain flammable gases (e.g. spray) as well as the explosive materials should never be kept in the appliance.

Safety and environment instructions

- Do not place containers filled with liquid on top of the product. Spilling water on an electrical component may cause electric shocks or risk of fire.
- Do not store products (vaccines, heat-sensitive medicines, scientific materials and etc.) that require a precise temperature control in the refrigerator.
- If you will not operate the product for a long period of time, unplug and unload the food in it.
- If the product is equipped with blue light, do not look at the blue light with optical tools.
- Exposing the product to rain, snow, sun and wind is dangerous with respect to electrical safety.
- In products with mechanical control (thermostat), wait for minimum 5 minutes to plug in the product again after unplugging it.
- Do not overload the product. It may fall when the door is opened, and cause injury or damage. Similar problems may occur in case of putting things on top of the product.
- If the product's door is equipped with a handle, do not pull by the handle when changing the place of the product. Handle may get loose.
- Pay attention not to have your hand or any part of your body get caught by the moving parts inside the product.

1.1.1 HC warning

- If your product's cooling system contains R600a:

This gas is flammable. Therefore, pay attention to not damaging the cooling system and piping during usage and transportation. In the event of damage, keep your product away from potential fire sources that can cause the product catch a fire and ventilate the room in which the unit is placed.

Ignore this warning if your product's cooling system contains R134a.

Type of gas used in the product is stated in the type plate which is on the left wall inside the refrigerator.

Never throw the product in fire for disposal.

	If the product is equipped with a cooling system containing R134a gas, ignore this warning.
	You can learn the gas used in production of your product on the rating plate located on the left inner part of it.
	WARNING: Never dispose the product in fire.

1.1.2 For products with a water dispenser

- Pressure for cold water inlet shall be maximum 90 psi (6.2 bar). If your water pressure exceeds 80 psi (5.5 bar), use a pressure limiting valve in your mains system. If you do not know how to check your water pressure, ask for the help of a professional plumber.
- If there is risk of water hammer effect in your installation, always use a water hammer prevention equipment in your installation. Consult Professional plumbers if you are not sure that there is no water hammer effect in your installation.
- Do not install on the hot water inlet. Take precautions against of the risk of freezing of the hoses. Water temperature operating interval shall be 33°F (0.6°C) minimum and 100°F (38°C) maximum.
- Use only potable water.

1.2 Intended use

- This product has been designed for domestic use. It is not suitable for commercial use and it must not be used out of its intended use.
- Product must be used only for storing food.

Safety and environment instructions

- The manufacturer waives any responsibility arisen from incorrect usage or transportation.
- The service life of your product is 10 years. During this period, original spare parts will be available to operate the appliance properly.

1.3 Children's safety

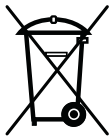
- If the door has a lock, the key should be kept away from reach of children.
- Children must be supervised to prevent them from tampering with the product.



DANGER: Risk of child entrapment. Before you throw away your old refrigerator or freezer:

- Take off the doors.
- Leave the shelves in place so that children may not easily climb inside.

1.4 Compliance with WEEE Directive and Disposing of the Waste Product:



This product complies with EU WEEE Directive (2012/19/EU). This product bears a classification symbol for waste electrical and electronic equipment (WEEE). This product has been manufactured with high quality parts and

materials which can be reused and are suitable for recycling. Do not dispose of the waste product with normal domestic and other wastes at the end of its service life. Take it to the collection center for the recycling of electrical and electronic equipment. Please consult your local authorities to learn about these collection centers.

1.5 Compliance with RoHS Directive:

- The product you have purchased complies with EU RoHS Directive (2011/65/EU). It does not contain harmful and prohibited materials specified in the Directive.

1.6 Package information

- Packaging materials of the product are manufactured from recyclable materials in accordance with our National Environment Regulations. Do not dispose of the packaging materials together with the domestic or other wastes. Take them to the packaging material collection points designated by the local authorities.



DANGER: Risk Of Fire or Explosion. Flammable Refrigerant Used. Do Not Use Mechanical Devices To Defrost Refrigerator. Do Not Puncture Refrigerant Tubing”.



DANGER: Risk Of Fire Or Explosion. Flammable Refrigerant Used. To Be Repaired Only By Trained Service Personnel. Do Not Puncture Refrigerant Tubing”.

Safety and environment instructions



CAUTION : Risk Of Fire Or Explosion. Flammable Refrigerant Used. Consult Repair Manual/Owner's Guide Before Attempting To Service This Product. All Safety Precautions Must be Followed.

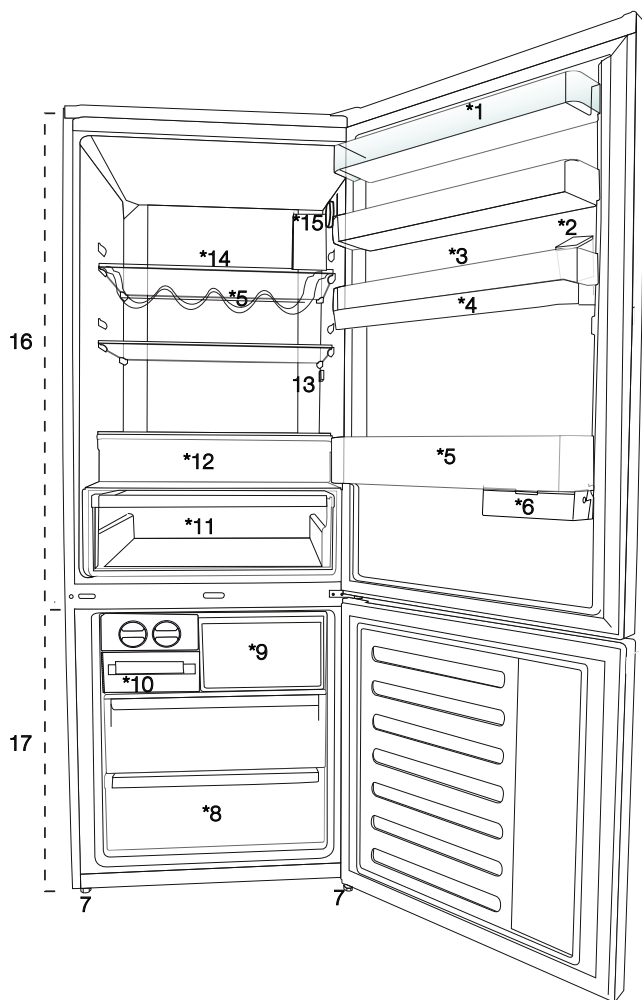


CAUTION : Risk Of Fire Or Explosion Due To Puncture Of Refrigerant Tubing; Follow Handling Instructions Carefully. Flammable Refrigerant Used”.



CAUTION : Risk Of Fire Or Explosion. Dispose Of Property In Accordance With Federal Or Local Regulations. Flammable Refrigerant Used.

2 Your Refrigerator






1. Cooler compartment door shelf
2. Water dispenser filling tank
3. Egg section
4. Water dispenser reservoir
5. Bottle shelf
6. Sliding storage box
7. Adjustable legs
8. Deep freezer compartment
9. Quick freeze compartment
10. Ice cube tray & Ice bank
11. Vegetable bin
12. Zero degree compartment
13. Interior light
14. Cooler compartment glass shelf
15. Temperature adjustment button
16. Cooler compartment
17. Freezer compartment



Pictures given in this manual are given as example figures and they may not be exactly the same as your product. If your product does not comprise the relevant parts, the information pertains to other models.

3.1. Right place for installation

Contact the Authorized Service for the product's installation. To ready the product for installation, see the information in the user guide and make sure the electric and water utilities are as required. If not, call an electrician and plumber to arrange the utilities as necessary.

	WARNING: The manufacturer assumes no responsibility for any damage caused by the work carried out by unauthorized persons.
	WARNING: The product's power cable must be unplugged during installation. Failure to do so may result in death or serious injuries!
	WARNING: If the door span is too narrow for the product to pass, remove the door and turn the product sideways; if this does not work, contact the authorized service.

- Place the product on a flat surface to avoid vibration.
- Place the product at least 30 cm away from the heater, stove and similar sources of heat and at least 5 cm away from electric ovens.
- Do not expose the product to direct sunlight or keep in damp environments.
- The product requires adequate air circulation to function efficiently.
- If the product will be placed in an alcove, remember to leave at least 5 cm distance between the product and the ceiling and the walls.
- Do not install the product in environments with temperatures below -5°C .

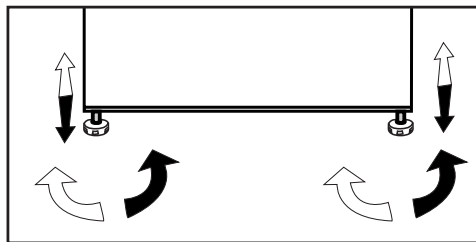
3.2. Attaching the plastic wedges

Use the plastic wedges in the provided with the product to provide sufficient space for air circulation between the product and the wall.

1. To attach the wedges, remove the screws on the product and use the screws provided with the wedges.
2. Attach 2 plastic wedges on the ventilation cover as shown in the figure.

3.3. Adjusting the stands

If the product is not in balanced position, adjust the front adjustable stands by rotating right or left.



Installation

3.4. Power connection



WARNING: Do not use extension or multi sockets in power connection.



WARNING: Damaged power cable must be replaced by Authorized Service.



When placing two coolers in adjacent position, leave at least 4 cm distance between the two units.

- Our firm will not assume responsibility for any damages due to usage without earthing and power connection in compliance with national regulations.
- The power cable plug must be easily accessible after installation.
- Connect the refrigerator to an earthed socket with 110V/60 Hz voltage. The plug must comprise a 10-16A fuse.
- Do not use multi-group plug with or without extension cable between the wall socket and the refrigerator.

3.5. Connecting the water hose to the refrigerator

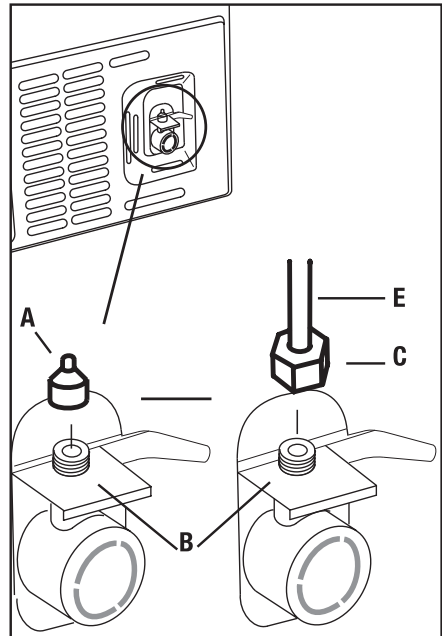
1. Slip the union (b) onto the water hose (a).
2. Push the water hose downwards firmly to slip it onto the water inlet valve (c).
3. Tighten the union (c) by hand to secure it onto the water inlet valve.



Normally, you are not required to tighten the union with a tool. However, you can use a spanner or pliers to tighten the union if there is a leakage

3.6. Connecting the water line to the water supply

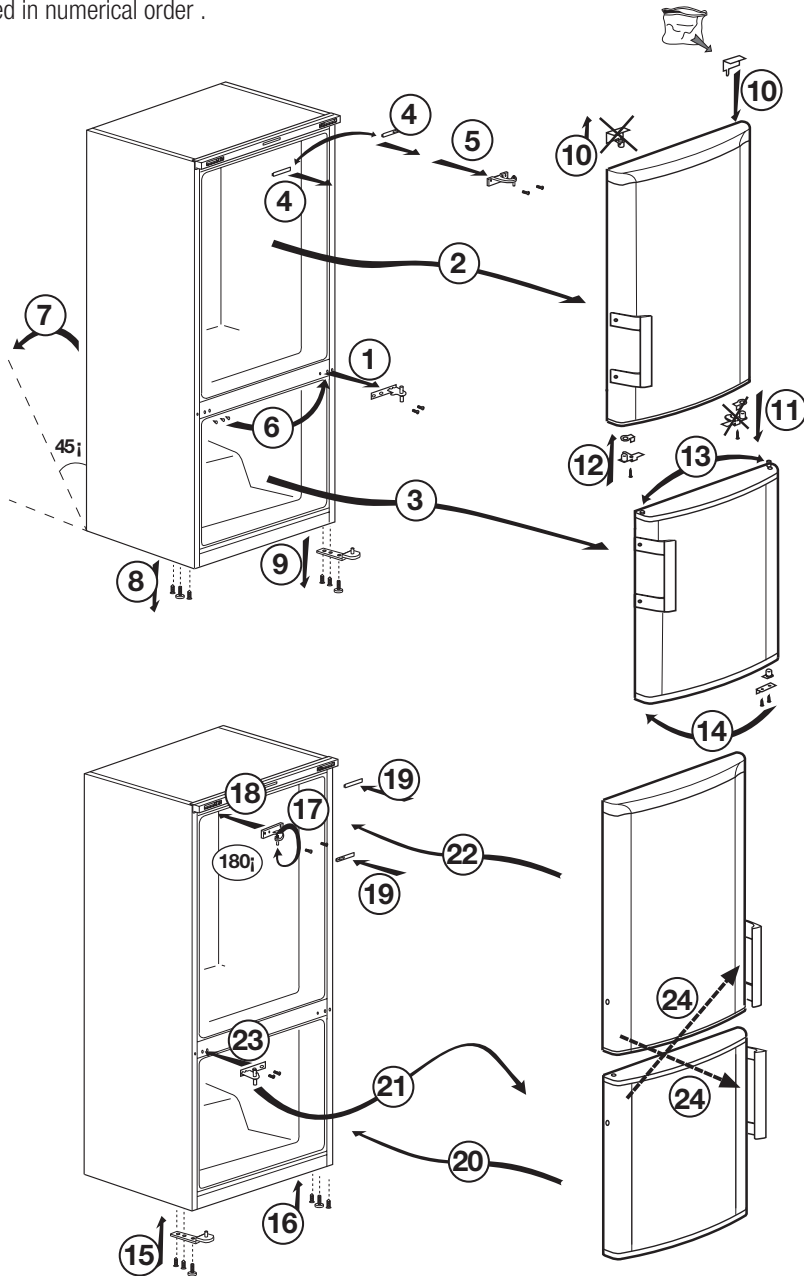
Connect the water line to a water supply valve. If a valve is not present or you are not sure, consult a qualified plumber.



Installation

3.7. Reversing the doors

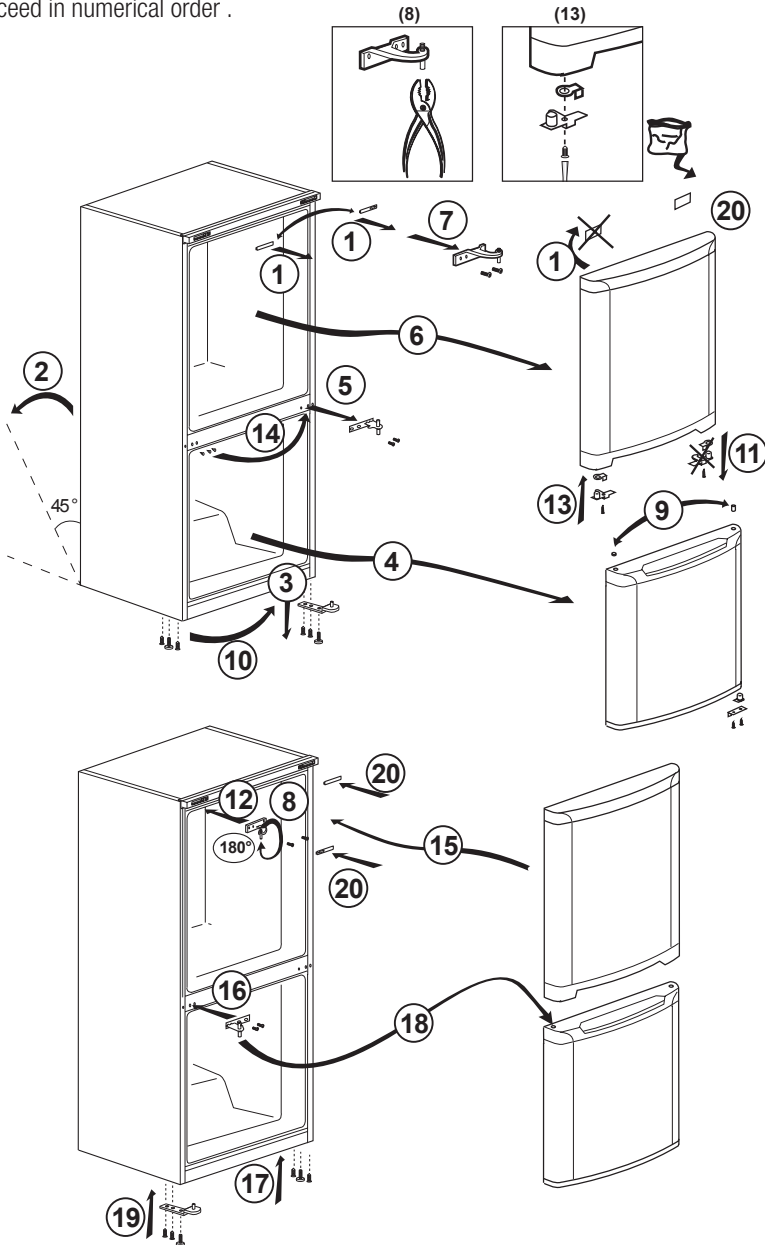
Proceed in numerical order .



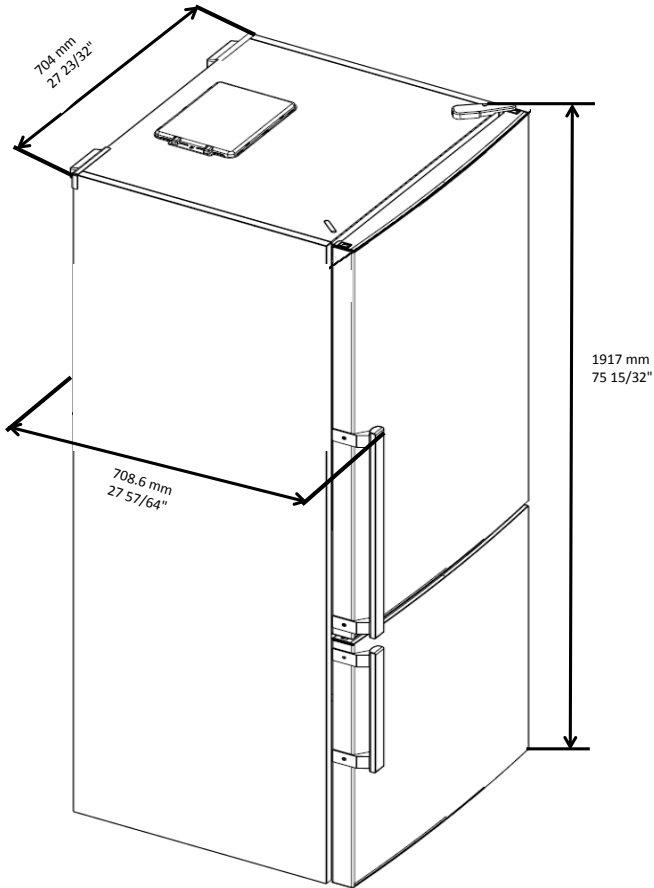
Installation

3.8. Reversing the doors

Proceed in numerical order .



Installation



Height (cm/inch) unpacked	1917 - 75 15/32"
Width (cm/inch) unpacked	704-27 23/32"
Depth (cm/inch) unpacked	708.6- 27 57/64"
Height (cm/inch)packed	1978- 77 7/8"
Width (cm/inch)packed	747 - 29 13/32"
Depth (cm/inch) packed	742- 29 7/32"
Gross Weight (Kg) / lbs	90 - 198.5
Net Weight (Kg) / lbs	84 - 184.2

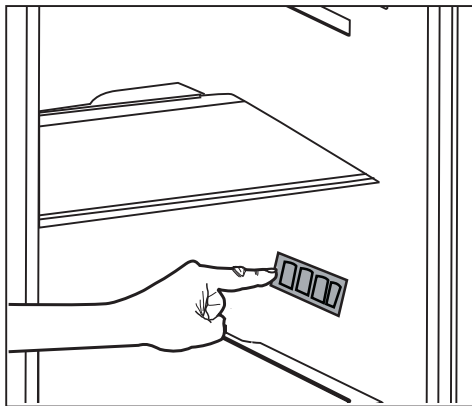
4.1. What to do for energy saving



Connecting the product to electronic energy-saving systems is harmful, as it may damage the product.

- Do not keep the refrigerator doors open for long periods.
- Do not place hot food or beverages into the refrigerator.
- Do not overfill the refrigerator; blocking the internal air flow will reduce cooling capacity.
- In order to store the maximum amount of food into the cooler compartment of your refrigerator, you should take out the upper drawers and place it onto the glass rack. The declared energy consumption of your refrigerator was determined by taking out the cooler, ice tray and upper drawers in a way that will enable maximum storage. Using the below drawer when storing is strongly recommended. Energy saving function should be activated for best energy consumption.
- You should not block the airflow by putting food in front of the cooler fan. A space of minimum 3cm must be left in front of the protective fan wire when placing food.
- Depending on the product's features; defrosting frozen foods in the cooler compartment will ensure energy saving and preserve food quality.
- Food should be stored using the drawers in the cooler compartment in order to ensure energy saving and protect food in better conditions.
- Food packages should not be in direct contact with the heat sensor located in the cooler compartment. If they are in contact with the sensor, energy consumption of the appliance might increase.

- Make sure the foods are not in contact with the cooler compartment temperature sensor described below.



4.2. First Use

Before using your refrigerator, make sure the necessary preparations are made in line with the instructions in "Safety and environment instructions" and "Installation" sections.

- Keep the product running with no food inside for 6 and do not open the door, unless absolutely necessary.



A sound will be heard when the compressor is engaged. It is normal to hear sound even when the compressor is inactive, due to the compressed liquids and gasses in the cooling system.



Front edges of the product might heat up. This is normal. These areas are designed to warm up in order to prevent condensation.



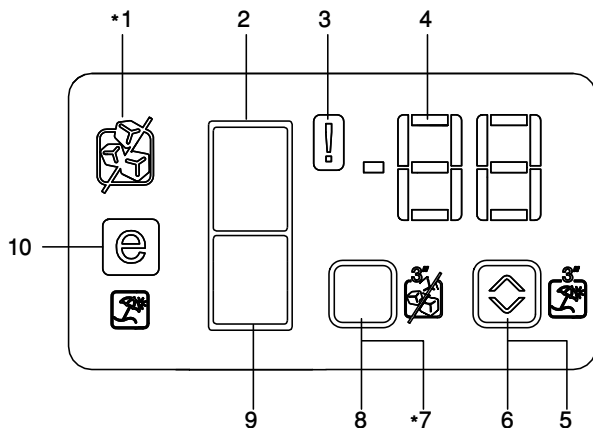
In some models indicator panel turns off automatically 5 minutes after the door closes. It will be reactivated when the door is open or any button is pressed.

5 Operating the product

5.1. Indicator panel

Indicator panels may vary according to the product model.

Audio – visual functions on the indicator panel help you in using your product.



1. Automatic Ice Machine Off/On indicator
2. Fridge Compartment Indicator
3. Error Status Indicator
4. Temperature Indicator
5. Vacation Button
6. Temperature Setting Button
7. Ice Cancel Button
8. Compartment Selection Button
9. Freezer Compartment Indicator
10. Economy Mode Indicator



***Optional:** The figures in this user guide are intended as drafts and may not perfectly match your product. If your product does not comprise the relevant parts, the information pertains to other models.

Using the product

1. Automatic Ice Machine Off/On indicator

This symbol appears on the display when Ice Off function is activated.

2. Fridge Compartment Indicator

Fridge compartment light illuminates when adjusting the fridge compartment temperature.

3. Error Status Indicator

If your refrigerator does not cool adequately or if there is a sensor failure, this indicator will be activated. When this indicator is active, Freezer Compartment Temperature indicator will display "e" and Fridge Compartment Temperature Indicator will display numbers such as "1,2,3...". These numbers on the indicator provide information about the error to the service personnel.

4. Temperature Indicator

Indicates the temperatures of fridge, freezer compartment.

5. Vacation Button

Press and hold this button for 3 sec. to activate the Vacation function. Press this button again to deactivate the selected function.

6. Temperature Setting Button

Changes the temperature of the relevant compartment between -5°F/ 21°C and +46 °F/8 °C.

7. Ice Cancel Button

Refrigerator stops ice production when you press selection button for 3 seconds.

8. Refrigerator Compartment

Selection Button Press Refrigerator Compartment Selection Button to switch between fridge and freezer compartments.

9. Freezer Compartment Indicator

Freezer compartment light illuminates when adjusting the freezer compartment temperature.

10. Economy Mode Indicator

This indicates that the refrigerator is running in energy-efficient mode. This indicator will be active if the Freezer Compartment temperature is set to +5°F/-15 °C.

Using the product

5.2. Ice bucket

*optional

- Take the ice bucket from the freezer compartment.
- Fill the ice bucket with water.
- Place the ice bucket into the freezer compartment.
- The ice will be ready after approximately two hours. Take the ice bucket from the freezer compartment and bend it slightly over the holder that you are going to serve. Ice will easily pour into the serving holder.

5.3. Eggholder

You can put the eggholder on the door or body rack of your choice. If you decide to put it on the body rack, it is recommended to prefer the shelves below as they are colder.

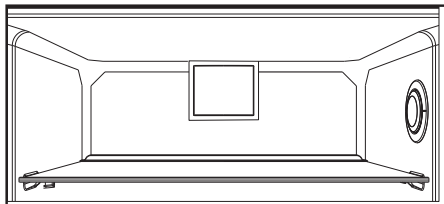


Do not put the eggholder into the freezer compartment.

5.4. Fan

Fan was designed to distribute circulate the cold air inside your refrigerator homogeneously. Operating time of the fan might vary depending the features of your product.

While in some products fan only operates with compressor, in others control system determines the operating time based on the need for cooling.



5.5. Vegetable bin

*optional

Product's vegetable bin is designed to keep vegetables fresh by preserving humidity. For this purpose, the overall cold air circulation is intensified in the vegetable bin.

5.6. Zero degree compartment

*optional

Use this compartment to keep delicatessen at lower temperatures or meat products for immediate consumption.

Zero degree compartment is the coolest place where foods such as dairy products, meat, fish and chicken can be stored in ideal storage conditions. Vegetables and/or fruits should not be stored in this compartment.

Using the product

5.7. Automatic ice machine

***optional**

Automatic ice machine enables you to easily make ice in your refrigerator. In order to obtain ice from the ice machine, take out the water tank in the cooler compartment, fill it with water and fix it back.

First ice will be ready in about 2 hours in the ice machine drawer in the cooler compartment.

After placing the full water tank, you can obtain about 60-70 cubes of ice until it is fully empty.

If the water in the tank has waited for 2-3 weeks, it should be changed.



In products with automatic ice machine, you might hear a sound when pouring the ice. This sound is normal and is not a sign of failure.

Using the product

5.8. Freezing fresh food

- To preserve food quality, the food items placed in the freezer compartment must be frozen as quickly as possible, use the rapid freezing for this.
- Freezing the food items when fresh will extend the storage time in the freezer compartment.
- Pack the food items in air-tight packs and seal tightly.
- Make sure the food items are packed before putting in the freezer. Use freezer holders, tinfoil and damp-proof paper, plastic bag or similar packaging materials instead of traditional packaging paper.



Ice in the freezing compartment thaws automatically.

- Mark each food pack by writing the date on the package before freezing. This will allow you to determine the freshness of each pack every time the freezer is opened. Keep the earlier food items in the front to ensure they are used first.
- Frozen food items must be used immediately after defrosting and should not be frozen again.
- Do not free large quantities of food at once.

5.9. Recommendations for storing frozen foods

The compartment must be set to at least -18°C.

1. Place the food items in the freezer as quickly as possible to avoid defrosting.
2. Before freezing, check the “Expiry Date” on the package to make sure it is not expired.
3. Make sure the food’s packaging is not damaged.

Using the product

5.10. Deep freezer details

Food items can only be preserved for extended periods at or below temperature of -18°C .

You can keep the foods fresh for months (in deep freezer at or below temperatures of 18°C). The food items to be frozen must not contact the already-frozen food inside to avoid partial defrosting.

Boil the vegetables and filter the water to extend the frozen storage time. Place the food in air-tight packages after filtering and place in the freezer. Bananas, tomatoes, lettuce, celery, boiled eggs, potatoes and similar food items should not be frozen. In case this food rots, only nutritional values and eating qualities will be negatively affected. A rotting threatening human health is not in question.

5.11. Placing the food

Freezer compartment shelves	Various frozen goods including meat, fish, ice cream, vegetables etc.
Cooler compartment shelves	Food items inside pots, capped plate and capped cases, eggs (in capped case)
Cooler compartment door shelves	Small and packed food or beverages
Vegetable bin	Fruits and vegetables
Fresh food compartment	Delicatessen (breakfast food, meat products to be consumed in short notice)

5.12. Door open alert

(Optional)

An audible alert will be heard if the product's door remains open for at least 1 minute. The audible alert will stop when the door is closed or any button on the display (if available) is pressed.

Door open alert is indicated to the user both audibly and visually. Interior lighting will turn off if the warning continues for 10 min.

5.13. Changing the opening direction of the door

You can change the direction of opening of your refrigerator depending on the location where you use it. When you need this, consult the closest Authorized Service.

The explanation above is a general statement. You should check the warning tag located inside the product package about the changeability of direction of the door.

5.14. Interior light

Interior light uses a LED type lamp. Contact the authorized service for any problems with this lamp.

Lamp(s) used in this appliance cannot be used for house lighting. Intended use of this lamp is to help the user place food into the refrigerator / freezer safely and comfortably.

6 Maintenance and cleaning

Service life of the product is increase if it is regularly cleaned



WARNING: First unplug the product before cleaning your refrigerator.

- Never use any sharp and abrasive tools, soap, household cleaners, detergent and wax polish for cleaning.
- Dissolve one teaspoon of carbonate in half liter of water. Soak a cloth with the solution and wrung it thoroughly. Wipe the interior of the appliance with this cloth and the dry thoroughly.
- Make sure that no water enters the lamp housing and other electrical items.
- Clean the door with a damp cloth. To remove door and body shelves, remove all of its contents. Remove door shelves by moving them upwards. After cleaning, slide them from top to bottom to install.
- Never use cleaning agents or water that contain chlorine to clean the outer surfaces and chromium coated parts of the product. Chlorine causes corrosion on such metal surfaces.
- Do not use sharp, abrasive tools, soap, household cleaning agents, detergents, kerosene, fuel oil, varnish etc. to prevent removal and deformation of the prints on the plastic part. Use lukewarm water and a soft cloth for cleaning and then wipe it dry.

6.1. Avoiding bad odors

Materials that may cause odor are not used in the production of our appliances. However, due to inappropriate food preserving conditions and not cleaning the inner surface of the appliance as required can bring forth the problem of odor.

Therefore, clean the refrigerator with carbonate dissolved in water every 15 days.

- Keep the food in closed containers. Microorganisms spreading out from uncovered containers can cause unpleasant odours.

- Never keep the food that have expired best before dates and spoiled in the refrigerator.

6.2. Protecting the plastic surfaces

Clean with arm water immediately as the oil may cause damage on the surface when it is poured on plastic surfaces.

6.3. Door Glasses

Remove the protective foil on the glasses.

There is a coating on the surface of the glasses. This coating minimizes the stain build-up and helps to remove the possible stains and dirt easily. Glasses that are not protected with such a coating may be subject to persistent binding of air or water based organic or inorganic dirt such as limescale, mineral salts, unburned hydrocarbons, metal oxides and silicones that can easily and quickly cause stains or material damage. Keeping the glass clean becomes too difficult despite the regular cleaning. Consequently, the appearance and the transparency of the glass deteriorates. Harsh and corrosive cleaning methods and compounds will intensify these defects and speed up the deterioration process.

Water-based cleaning products that are not alkaline and corrosive must be used for regular cleaning purposes.

Non-alkaline and non-corrosive materials must be used for cleaning so that the service life of this coating lasts for a long time.

These glasses are tempered to increase their durability against impacts and breaking.

A safety film is also applied to their rear surfaces as an extra safety measure in order to prevent them from causing damage to their surrounding in case of a breakage.

*Alkali is a base that forms hydroxide ions (OH⁻) when it is dissolved in water.

Li (Lithium), Na (Sodium), K (Potassium) Rb (Rubidium), Cs (Cesium) and artificial and radioactive Fr (Francium) metals are called **ALKALI METALS**.

7 Troubleshooting

Check this list before contacting the service. Doing so will save you time and money. This list includes frequent complaints that are not related to faulty workmanship or materials. Certain features mentioned herein may not apply to your product.

The refrigerator is not working.

- The power plug is not fully settled. >>> Plug it in to settle completely into the socket.
- The fuse connected to the socket powering the product or the main fuse is blown. >>> Check the fuses.

Condensation on the side wall of the cooler compartment (MULTI ZONE, COOL, CONTROL and FLEXI ZONE).

- The environment is too cold. >>> Do not install the product in environments with temperatures below -5°C.
- The door is opened too frequently >>> Take care not to open the product's door too frequently.
- The environment is too humid. >>> Do not install the product in humid environments.
- Foods containing liquids are kept in unsealed holders. >>> Keep the foods containing liquids in sealed holders.
- The product's door is left open. >>> Do not keep the product's door open for long periods.
- The thermostat is set to too low temperature. >>> Set the thermostat to appropriate temperature.

Compressor is not working.

- In case of sudden power failure or pulling the power plug off and putting back on, the gas pressure in the product's cooling system is not balanced, which triggers the compressor thermic safeguard. The product will restart after approximately 6 minutes. If the product does not restart after this period, contact the service.
- Defrosting is active. >>> This is normal for a fully-automatic defrosting product. The defrosting is carried out periodically.
- The product is not plugged in. >>> Make sure the power cord is plugged in.
- The temperature setting is incorrect. >>> Select the appropriate temperature setting.
- The power is out. >>> The product will continue to operate normally once the power is restored.

The refrigerator's operating noise is increasing while in use.

- The product's operating performance may vary depending on the ambient temperature variations. This is normal and not a malfunction.

The refrigerator runs too often or for too long.

- The new product may be larger than the previous one. Larger products will run for longer periods.
- The room temperature may be high. >>> The product will normally run for long periods in higher room temperature.
- The product may have been recently plugged in or a new food item is placed inside. >>> The product will take longer to reach the set temperature when recently plugged in or a new food item is placed inside. This is normal.
- Large quantities of hot food may have been recently placed into the product. >>> Do not place hot food into the product.
- The doors were opened frequently or kept open for long periods. >>> The warm air moving inside will cause the product to run longer. Do not open the doors too frequently.
- The freezer or cooler door may be ajar. >>> Check that the doors are fully closed.
- The product may be set to temperature too low. >>> Set the temperature to a higher degree and wait for the product to reach the adjusted temperature.
- The cooler or freezer door washer may be dirty, worn out, broken or not properly settled. >>> Clean or replace the washer. Damaged / torn door washer will cause the product to run for longer periods to preserve the current temperature.

Troubleshooting

The freezer temperature is very low, but the cooler temperature is adequate.

- The freezer compartment temperature is set to a very low degree. >>> Set the freezer compartment temperature to a higher degree and check again.

The cooler temperature is very low, but the freezer temperature is adequate.

- The cooler compartment temperature is set to a very low degree. >>> Set the freezer compartment temperature to a higher degree and check again.

The food items kept in cooler compartment drawers are frozen.

- The cooler compartment temperature is set to a very low degree. >>> Set the freezer compartment temperature to a higher degree and check again.

The temperature in the cooler or the freezer is too high.

- The cooler compartment temperature is set to a very high degree. >>> Temperature setting of the cooler compartment has an effect on the temperature in the freezer compartment. Wait until the temperature of relevant parts reach the sufficient level by changing the temperature of cooler or freezer compartments.
- The doors were opened frequently or kept open for long periods. >>> Do not open the doors too frequently.
- The door may be ajar. >>> Fully close the door.
- The product may have been recently plugged in or a new food item is placed inside. >>> This is normal. The product will take longer to reach the set temperature when recently plugged in or a new food item is placed inside.
- Large quantities of hot food may have been recently placed into the product. >>> Do not place hot food into the product.

Shaking or noise.

- The ground is not level or durable. >>> If the product is shaking when moved slowly, adjust the stands to balance the product. Also make sure the ground is sufficiently durable to bear the product.
- Any items placed on the product may cause noise. >>> Remove any items placed on the product.

The product is making noise of liquid flowing, spraying etc.

- The product's operating principles involve liquid and gas flows. >>> This is normal and not a malfunction.

There is sound of wind blowing coming from the product.

- The product uses a fan for the cooling process. This is normal and not a malfunction.

There is condensation on the product's internal walls.

- Hot or humid weather will increase icing and condensation. This is normal and not a malfunction.
- The doors were opened frequently or kept open for long periods. >>> Do not open the doors too frequently; if open, close the door.
- The door may be ajar. >>> Fully close the door.

There is condensation on the product's exterior or between the doors.

- The ambient weather may be humid, this is quite normal in humid weather. >>> The condensation will dissipate when the humidity is reduced.

The interior smells bad.

Troubleshooting

- The product is not cleaned regularly. >>> Clean the interior regularly using sponge, warm water and carbonated water.
- Certain holders and packaging materials may cause odour. >>> Use holders and packaging materials without free of odour.
- The foods were placed in unsealed holders. >>> Keep the foods in sealed holders. Micro-organisms may spread out of unsealed food items and cause malodour. Remove any expired or spoiled foods from the product.

The door is not closing.

- Food packages may be blocking the door. >>> Relocate any items blocking the doors.
- The product is not standing in full upright position on the ground. >>> Adjust the stands to balance the product.
- The ground is not level or durable. >>> Make sure the ground is level and sufficiently durable to bear the product.

The vegetable bin is jammed.

- The food items may be in contact with the upper section of the drawer. >>> Reorganize the food items in the drawer.



WARNING: If the problem persists after following the instructions in this section, contact your vendor or an Authorised Service. Do not try to repair the product.

WARRANTY STATEMENT FOR THE BLOMBERG REFRIGERATORS

The warranties provided by Blomberg in these statements only apply to Blomberg refrigerators sold to the original purchaser or homeowner in the US and Canada. The warranty is not transferable. To obtain warranty service, please contact our nearest distributor as listed by state and province. You will need your refrigerator model number, serial number, retailer name and address, where purchased and purchase date / installation date. This warranty gives you specific legal rights, and you may also have other rights which vary from state to state. Also, please make sure you register your product for warranty at www.blombergappliances.com.

1 year (*) full warranty from date of first installation

Blomberg will repair or replace at no cost to the consumer any defective parts of the refrigerator if used under normal household conditions

(warranty is void if the product is used commercially e.g., bed + breakfast, nursing home etc.). Service must also be performed by an authorized Blomberg service agency. (Cosmetic defects must be reported within 10 business days from installation). 1 year warranty on the accessories is for the parts only and doesnot include labor.

2 year*++ limited warranty from date of first installation (Parts only) Blomberg will repair or replace any parts at no cost to the consumer if material defects or workmanship have caused the damage or failure of these components. Again the refrigerator must have been used under normal household conditions and not commercially as stated above (Labor charges are the responsibility of the consumer).

2-5 year (*, **) limited warranty from date of first installation

(parts only 2-5 years) Blomberg will repair or replace any compressors, evaporators, condensers and dryers at no cost to the consumer if material defects or workmanship have caused the damage or failure of these components.

The refrigerator must have been used under normal household conditions and not commercially (Labor charges are the responsibility of the consumer)

Disclaimers of warranties and exclusions:

Warranty does not cover service costs by an authorized service agent to correct installation, electrical problems or educational instruction on the use of the refrigerator. The warranty also does not cover defects or damage caused by an act of God (such as storms, floods, fires, mudslides, etc.), damage cause by use of the refrigerator for purposes other than those for which it was designed, misuse, abuse, accident, alteration, improper installation, maintenance, travel fees, service calls outside normal service hours, pick up and delivery, any food loss due to product failure, unauthorized service work or work.

This product is fully tested and went through official quality assurance inspections before leaving the original manufacturing site. Warranty terms for this Blomberg household appliance is not valid if the product is altered, tampered, modified, additional parts assembled, fixed and re-packed by an authorized distributor, servicer, a third party retailer, reseller or by any other unauthorized person(s).

TO THE EXTENT PERMITTED BY LAW, THIS WARRANTY IS IN LIEU OF ALL OTHER EXPRESSED AND IMPLIED WARRANTIES, INCLUDING THE IMPLIED WARRANTIES OF MERCHANTABILITY AND FITNESS FOR A PARTICULAR PURPOSE. BLOMBERG UNDERTAKES NO RESPONSIBILITY FOR THE QUALITY OF THIS PRODUCT EXCEPT AS OTHERWISE PROVIDED IN THIS WARRANTY STATEMENT. BLOMBERG ASSUMES NO RESPONSIBILITY THAT THE PRODUCT WILL BE FIT FOR ANY PARTICULAR PURPOSE FOR WHICH YOU MAY BE BUYING THIS PRODUCT, EXCEPT AS OTHERWISE PROVIDED IN THIS WARRANTY STATEMENT.

Blomberg does not assume any responsibility for incidental or consequential damages. Such damages include, but are not limited to, loss of profits, loss of savings or revenue, loss of use of the refrigerator or any associated equipment, cost of capital, cost of any substitute equipment, facilities or services, downtime, the claims of third parties, and injury to property. Some states do not allow the exclusion or limitation of incidental or consequential damages, so the above limitations or exclusion may not apply to you.

(*) Installation date shall refer to either purchase date or 5 business days after delivery of the product to the home, whichever is later.

() Parts replaced will assume the identity of the original parts + their original warranty.**

No Other Warranties. This Warranty Statement is the complete and exclusive warranty from the manufacturer. No employee of Blomberg or any other party is authorized to make any warranty statements in addition to those made in this Warranty Statement.

Please keep this warranty card, user manual and your sales slip for future reference.

HOW TO GET SERVICE

Please contact the Distributor for your State or Province as listed on the Distributor Contact List, or call our Toll Free Number at 1 800 459 9848 for direction to an Authorized Blomberg Service Agent.

Veillez d'abord lire ce manuel d'utilisation !

Chère cliente, cher client,

Nous aimerions que vous soyez entièrement satisfait de notre appareil, fabriqué dans des infrastructures modernes et ayant fait l'objet d'un contrôle de qualité minutieux.

À cet effet, veuillez lire en intégralité le manuel d'utilisation avant d'utiliser cet appareil, et conservez-le pour références ultérieures. Si vous offrez cet appareil à une autre personne, remettez-lui également le manuel d'utilisation.

Le manuel d'utilisation garantit l'utilisation rapide et sécurisée du réfrigérateur.

- Veuillez lire le manuel d'utilisation avant d'installer et d'utiliser le réfrigérateur,
- Respectez toujours les instructions de sécurité en vigueur,
- Tenez le manuel d'utilisation à portée pour références ultérieures,
- Veuillez lire tous les autres documents fournis avec l'appareil,

Veillez noter que ce manuel d'utilisation peut se rapporter à plusieurs modèles de cet appareil. Le manuel indique clairement toutes les différences entre les modèles.

Symboles et commentaires

Les symboles suivants sont utilisés dans le manuel d'utilisation :

	Informations importantes et renseignements utiles,
	Avertissement relatif aux conditions dangereuses pour la vie et la propriété,
	Risque d'électrocution,
	L'emballage de l'appareil a été fabriqué à partir de matériaux recyclables, conformément à la législation nationale en matière d'environnement,

1 Instructions importantes en matière de sécurité et d'environnement 3**2 Votre réfrigérateur 7****3 Installation 8**

- 3.1. Lieu idéal d'installation 8
- 3.2. Fixation des cales en plastique. 8
- 3.3. Réglage des pieds. 8
- 3.4. Branchement électrique 9
- 3.4. Connexion du tuyau d'eau au Congélateur / réfrigérateur 9
- 3.5. Filtre à eau 9
- 3.6. Réversibilité des portes 10
- 3.7. Réversibilité des portes 11

4 Préparation 13

- 4.1. Moyens d'économiser l'énergie 13
- 4.2. Première utilisation 13

5 Utilisation de l'appareil 14

- 5.1. Bandeau indicateur 14
- 5.2. Seau à glace. 16
- 5.3. Support d'œufs 16
- 5.4. Ventilateur 16
- 5.5. Bac à légumes. 16
- 5.6. Compartiment zéro degré 16
- 5.7. Machine à glace automatique 17
- 5.8. Congélation des produits frais 18
- 5.9. Recommandations relatives à la conservation des aliments congelés 18
- 5.10. Informations relatives au congélateur 19
- 5.11. Disposition des denrées 19
- 5.12. Alerte ouverture de porte 19
- 5.13. Inversion de la direction d'ouverture de la porte 19
- 5.14. Éclairage interne 19

6 Entretien et nettoyage 20

- 6.1. Prévention des mauvaises odeurs 20
- 6.2. Protection des surfaces en plastique 20
- 6.3. Vitre de porte 20

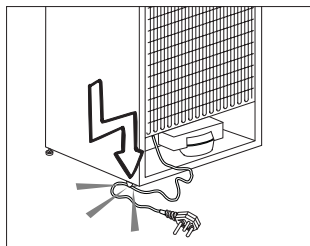
6 Entretien et nettoyage 21**7 Dépannage 22**

1 Instructions importantes en matière de sécurité et d'environnement

Cette section comporte des instructions en matière de sécurité, qui vous permettront de vous protéger des blessures personnelles ou des dommages à la propriété. Si ces instructions ne sont pas observées, cela peut annuler la garantie.

1.1 Sécurité générale

- Cet appareil peut être utilisé par des enfants âgés de 8 ans ou plus, par des personnes ne jouissant pas de toutes leurs facultés physiques, sensorielles et mentales ou qui manquent d'expérience et de connaissance, à condition qu'elles soient supervisées ou formées à l'utilisation sécurisée de ce produit et aux risques encourus. Les enfants ne doivent pas jouer avec cet appareil. Le nettoyage et l'entretien ne doivent pas être exécutés par des enfants, à moins qu'ils ne soient supervisés par quelqu'un.
- Débranchez le produit si une panne survient alors qu'il est en cours d'utilisation.
- Ne pas utiliser cet appareil lorsqu'il est en panne, à moins qu'il ne soit réparé par le Prestataire de Services Agréé. Cette précaution permet d'éviter tout risque de choc électrique!
- Connectez cet appareil à une prise avec mise à la terre, protégée par un fusible conforme aux valeurs figurant sur la plaque signalétique. Faites installer la mise à la terre par un électricien qualifié. Notre entreprise ne sera pas tenue responsable de tout dommage survenu si vous utilisez cet appareil sans le raccorder à une mise à la terre, conformément aux réglementations locales.
- Débranchez l'appareil lorsque vous ne l'utilisez pas.
- N'aspergez pas l'appareil et n'y versez pas de l'eau lorsque vous le lavez! Cette précaution permet d'éviter tout risque de choc électrique!
- Ne touchez jamais la prise avec des mains mouillées! Ne le débranchez jamais en tirant le câble, mais plutôt en tenant la prise.
- Il est recommandé de nettoyer régulièrement le bout de la fiche à l'aide d'un chiffon sec.



- Évitez de brancher le Congélateur / réfrigérateur lorsque la prise de courant électrique a lâché.
- Ne connectez jamais votre Congélateur / réfrigérateur à des systèmes d'économies d'énergie. Ces systèmes sont nocifs pour l'appareil.
- Débranchez l'appareil lors des activités d'installation, d'entretien, de nettoyage et de réparation.
- Confiez toujours les activités d'installation et de réparation au **Prestataire de Services Agréé**. Le fabricant ne sera pas tenu responsable des dommages survenus suite à des activités effectuées par des personnes non-autorisées.
- Ne mangez pas de cônes de crème glacée ou des glaçons immédiatement après les avoir sortis du compartiment de congélation. Cela pourrait provoquer des engelures dans votre bouche!
- Ne touchez pas des aliments congelés avec vos mains! Ils peuvent coller à vos mains!
- Ne posez pas de boissons en bouteilles ou en cannettes dans le congélateur. Elles risquent d'exploser!
- N'utilisez jamais de vapeur ni de matériel de nettoyage à vapeur pour nettoyer ou décongeler le Congélateur / réfrigérateur. La vapeur entraînera un court-circuit ou un choc électrique étant donné qu'elle entrera en contact avec les parties électriques du Congélateur / réfrigérateur!
- N'utilisez pas d'outils mécaniques ou des méthodes autres que celles qui sont recommandées par le fabricant, pour accélérer le processus de décongélation.
- N'utilisez jamais les pièces de votre Congélateur / réfrigérateur telles que la porte et le tiroir, comme un support ou une marche. Une telle utilisation du produit peut l'emmener à balancer ou ses parties à s'endommager.

Instructions en matière de sécurité et d'environnement

- N'endommagez pas le circuit de refroidissement où circule le liquide réfrigérant avec des outils de forage ou coupants. Le liquide réfrigérant qui pourrait s'échapper si les canalisations de gaz de l'évaporateur, les rallonges de tuyau ou les revêtements de surface étaient percés, peut irriter la peau et provoquer des blessures aux yeux.
- Ne couvrez ou n'obstruez pas les orifices de ventilation du Congélateur / réfrigérateur.
- Placez les boissons alcoolisées verticalement, dans des récipients convenablement fermés.
- N'utilisez pas de pulvérisateur à gaz près de l'appareil car cela pourrait causer un incendie ou une explosion!
- Les articles inflammables ou les produits contenant des gaz inflammables (par ex. : aérosols) ainsi que les matériaux explosifs ne doivent jamais être conservés dans l'appareil.
- Ne posez pas de récipients remplis d'eau au dessus de l'appareil. L'eau qui se déverse sur un composant électrique peut entraîner des chocs électriques ou un risque d'incendie.
- Ne conservez pas les produits (vaccins, médicaments sensibles à la chaleur, matériaux scientifiques, etc.) qui nécessitent un contrôle de température précis, dans le Congélateur / réfrigérateur.
- Si l'appareil doit rester non utilisé pendant une longue période, débranchez-le et débarrassez-le des aliments.
- Si le Congélateur / réfrigérateur est éclairé par une lumière bleue, évitez de regarder cette lumière bleue à travers des appareils optiques.
- L'exposition du produit à la pluie, la neige, au soleil ou au vent présente des risques concernant la sécurité électrique.
- Dans les produits équipés d'un contrôle mécanique (thermostat), patientez 5 minutes au minimum avant de rebrancher l'appareil après l'avoir débranché.
- Ne surchargez pas l'appareil. Si vous le faites, il peut tomber lorsque vous ouvrez sa porte et occasionner une blessure ou un dommage. Des problèmes similaires peuvent survenir si vous posez des objets sur l'appareil.
- Si la porte du Congélateur / réfrigérateur est équipée d'une poignée, ne tenez pas cette poignée lorsque vous déplacez l'appareil. Dans le cas contraire cette poignée peut se desserrer.
- Faites attention à ce que votre main ou toute autre partie de votre corps ne se retrouve pas coincée par les parties amovibles de l'appareil.

1.1.2 Avertissement HCA

Si le système de refroidissement de votre appareil contient R600a :

Ce gaz est inflammable. Par conséquent, veuillez prendre garde à ne pas endommager le système de refroidissement et les tuyauteries lors de son utilisation ou de son transport. En cas de dommages, éloignez votre produit de toute source potentielle de flammes susceptible de provoquer l'incendie de l'appareil. De même, placez le produit dans une pièce aérée.

Ne tenez pas compte de cet avertissement si le système de refroidissement de votre appareil contient R134a.



Si l'appareil est plutôt équipé d'un système de refroidissement contenant du gaz R134a, ignorez cet avertissement.



Vous pouvez savoir quel type de gaz été utilisé lors la fabrication de votre appareil en consultant la plaque signalétique qui se trouve dans la partie intérieure gauche de l'appareil.



AVERTISSEMENT : Ne jamais jeter le produit au feu.

Instructions en matière de sécurité et d'environnement

1.1.3 Pour les appareils dotés d'un distributeur d'eau

- La pression de l'eau froide à l'entrée ne doit pas excéder 90 psi (6.2 bar). Si votre pression d'eau dépasse 80 psi (5,5 bar), utilisez une soupape de limitation de pression sur votre réseau de conduite. Si vous ne savez pas comment vérifiez la pression de l'eau, demandez l'assistance d'un plombier professionnel.
- S'il existe un risque d'effet coup de bélier sur votre installation, utilisez systématiquement un équipement de protection contre l'effet coup de bélier sur celle-ci. Consultez des plombiers professionnels si vous n'êtes pas sûr de la présence de cet effet sur votre installation.
- Ne l'installez pas sur l'entrée d'eau chaude. Prenez des précautions contre le risque de congélation des tuyaux. L'intervalle de fonctionnement de la température des eaux doit être de 33 F (0,6°C) au moins et de 100 F (38 C) au plus.
- Utilisez uniquement de l'eau potable.

1.2 Utilisation prévue

- Cet appareil est destiné à un usage ménager. Il n'est pas indiqué pour une utilisation à des fins commerciales et ne doit pas être utilisé à des fins autres que celles prévues.
- Il ne doit être utilisé que pour conserver des aliments.
- Le fabricant décline toute responsabilité pour les dégâts causés par une utilisation ou un transport incorrect de l'appareil.
- Votre appareil a une durée de vie de 10 ans. Pendant cette période, les pièces de rechange d'origine seront disponibles afin que l'appareil fonctionne comme il se doit.

1.3 Sécurité des enfants

- Les matériaux d'emballage sont dangereux pour les enfants. Conservez ces matériaux d'emballage en lieu sûr, hors de portée des enfants.

- Les produits électriques sont dangereux pour les enfants. Éloignez les enfants de l'appareil lorsqu'il est allumé.
- Si la porte de l'appareil est équipée d'un verrou, gardez les clés de ce verrou hors de portée des enfants.



DANGER : Risque d'enfermement pour les enfants. Avant de jeter votre ancien réfrigérateur ou congélateur :

- Retirez les portes.
- Laissez les étagères en place de manière à ce que les enfants ne puissent pas pénétrer facilement à l'intérieur.

1.4 Conformité avec la directive DEEE et mise au rebut des déchets :



Ce produit est conforme à la directive DEEE (2012/19/UE) de l'Union européenne). Ce produit porte un symbole de classification pour la mise au rebut des équipements électriques et électroniques (DEEE). Le présent produit a été fabriqué avec des pièces et du matériel de qualité supérieure susceptibles d'être réutilisés et adaptés au recyclage. Par conséquent, nous vous conseillons de ne pas le mettre au rebut avec les ordures ménagères et d'autres déchets à la fin de sa durée de vie. Au contraire, rendez-vous dans un point de collecte pour le recyclage de tout matériel électrique et électronique. Veuillez vous rapprocher des autorités de votre localité pour plus d'informations concernant le point de collecte le plus proche.

1.5 Conformité avec la directive LdSD :

L'appareil que vous avez acheté est conforme à la directive LdSD (2011/65/UE) de l'Union européenne. Il ne comporte pas les matériels dangereux et interdits mentionnés dans la directive.

Instructions en matière de sécurité et d'environnement

1.6 Informations relatives à l'emballage

- Les matériaux d'emballage de cet appareil sont fabriqués à partir de matériaux recyclables, conformément à nos Réglementations Nationales en Environnement. Ne mélangez pas les matériaux d'emballage avec les déchets domestiques ou d'autres déchets. Amenez-les aux points de collecte des matériaux d'emballage, désignés par les autorités locales.



ATTENTION : Risque d'incendie ou d'explosion causée par la perforation du tuyau du réfrigérant ; respectez attentivement les consignes de manutention. Réfrigérant inflammable utilisé».



DANGER : Risque d'incendie ou d'explosion. Réfrigérant inflammable utilisé. N'utilisez pas d'objets mécaniques pour dégivrer le réfrigérateur. Ne percez pas les tuyaux du réfrigérant»



DANGER : Risque d'incendie ou d'explosion. Réfrigérant inflammable utilisé. Ne doit être réparé que par le personnel de service qualifié. Pas de perforation Tuyau du réfrigérant».

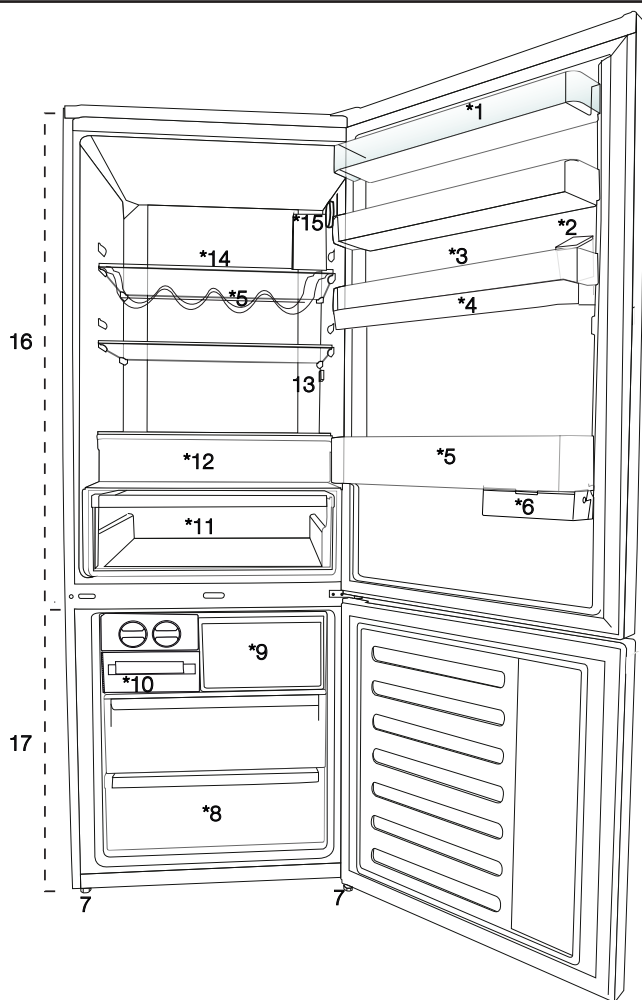


ATTENTION : Risque d'incendie ou d'explosion. Réfrigérant inflammable utilisé. Reportez-vous au manuel de réparation / guide de l'utilisateur avant toute tentative de dépannage de cet appareil. Toutes les précautions de sécurité doivent être respectées.



ATTENTION : Risque d'incendie ou d'explosion. La mise au rebut doit se faire conformément aux réglementations fédérales ou locales. Réfrigérant inflammable utilisé.

2 Votre réfrigérateur



1. Balconnet de la porte du compartiment réfrigérateur
2. Opercule du réservoir d'eau
3. Réservoir du distributeur d'eau
4. Bac à Oeufs
5. Clayette range-bouteilles
6. Boîte de stockage coulissante
7. Pieds réglables
8. Compartiment congélation rapide
9. Compartiment de congélation rapide
10. Bac à glaçons et banque de glace
11. Bac à légumes
12. Compartiment zéro degré
13. Éclairage intérieur
14. Balconnet de la vitre du compartiment réfrigérateur
15. Bouton de réglage de température
16. Compartiment réfrigérateur
17. Compartiment congélateur



Les images présentées dans ce manuel sont fournies à titre indicatif et elles peuvent ne pas correspondre exactement à votre appareil. Si votre appareil ne dispose pas des parties citées, alors l'information s'applique à d'autres modèles.

3.1. Lieu idéal d'installation

Contactez le service agréé pour l'installation de votre réfrigérateur. Pour préparer l'installation du réfrigérateur, lisez attentivement les instructions du manuel d'utilisation et assurez-vous que les équipements électriques et d'approvisionnement d'eau sont installés convenablement. Si non, contactez un électricien et un plombier pour effectuer les réparations nécessaires.



AVERTISSEMENT : Le fabricant ne sera pas tenu responsable en cas de problèmes causés par des travaux effectués par des personnes non autorisées.



AVERTISSEMENT : Débranchez le câble d'alimentation du réfrigérateur pendant l'installation. Le non-respect de cette consigne peut entraîner la mort ou des blessures graves !



AVERTISSEMENT : Si le cadre de la porte est trop étroit pour laisser passer l'appareil, retirez la porte et faites passer l'appareil sur les côtés ; si cela ne fonctionne pas, contactez le service agréé.

- Placez l'appareil sur une surface plane pour éviter les vibrations.
- Placez le produit à 30 cm du chauffage, de la cuisinière et des autres sources de chaleur similaires et à au moins 5 cm des fours électriques.
- N'exposez pas le produit directement à lumière du soleil et ne le laissez pas dans des environnements humides.
- Le bon fonctionnement de votre réfrigérateur nécessite la bonne circulation de l'air.
- Si le réfrigérateur est placé dans un encastrement mural, assurez-vous de laisser un espace d'au moins 5 cm avec le plafond et le mur.
- Ne placez pas le réfrigérateur dans des environnements avec des températures inférieures à -5 °C.

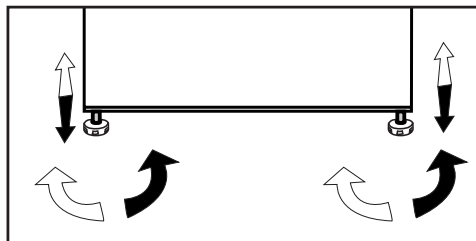
3.2. Fixation des cales en plastique

Utilisez les cales en plastiques fournies avec le réfrigérateur pour créer une circulation d'air suffisante entre le réfrigérateur et le mur.

1. Pour fixer les cales, retirez les vis du réfrigérateur et utilisez celles fournies avec les cales,
2. Fixez 2 cales en plastique sur le couvercle de ventilation tel qu'illustré par l'image.

3.3. Réglage des pieds

Si le réfrigérateur n'est pas équilibré, réglez les pieds avant en les tournant vers la gauche ou la droite.



Installation

3.4 Branchement électrique



AVERTISSEMENT : N'utilisez pas de rallonge ni de prises multiples pour les branchements électriques.



AVERTISSEMENT : Les câbles d'alimentation endommagés doivent être remplacés par des prestataires de services agréés.



Si deux réfrigérateurs sont installés côte à côte, ils doivent être séparés par au moins 4 cm de distance.

- Notre société décline toute responsabilité en cas de dommage dû à une utilisation sans mise à la terre ou branchement électrique non-conforme aux normes en vigueur sur le territoire national.
- La fiche de câble d'alimentation doit être facilement accessible après installation.
- Branchez le réfrigérateur à une prise mise à la terre de 110V/60 Hz de tension. La prise doit contenir un fusible de 10-16A.
- N'utilisez pas de prises multiples ou sans rallonge entre la prise murale et le réfrigérateur.

3.4. Connexion du tuyau d'eau au Congélateur / réfrigérateur

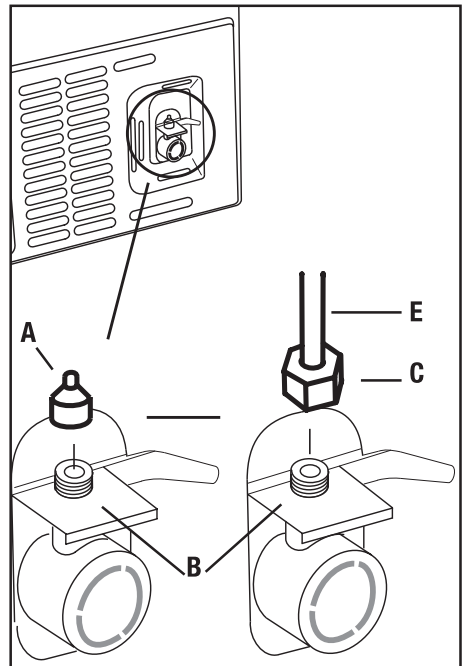
1. Faites glisser le raccord (b) sur le tuyau d'eau (a).
2. Poussez fermement le tuyau d'eau vers le bas afin de le glisser sur le robinet d'arrivée d'eau (c).
3. Serrez manuellement le raccord (c) afin de le sécuriser sur le robinet d'arrivée d'eau.



En principe, vous ne devez pas serrer le raccord avec un outil. Cependant, vous pouvez utiliser une clé ou des pinces pour le serrer en cas de fuite.

3.5. Filtre à eau (sur certains modèles)

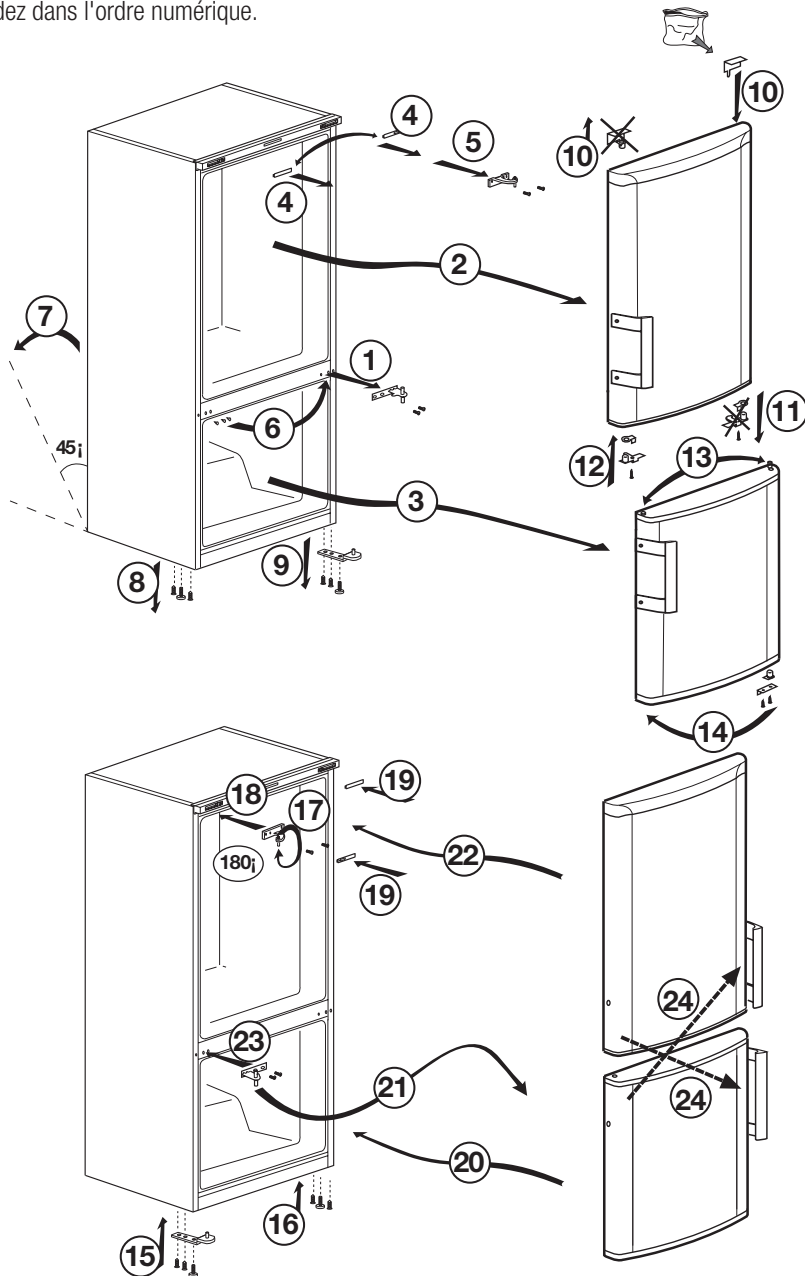
Votre Congélateur / réfrigérateur peut être équipé d'un filtre externe ou interne, selon le modèle. Pour installer le filtre à eau, suivez les instructions ci-dessous, renvoyant aux schémas fournis :



Installation

3.6. Réversibilité des portes

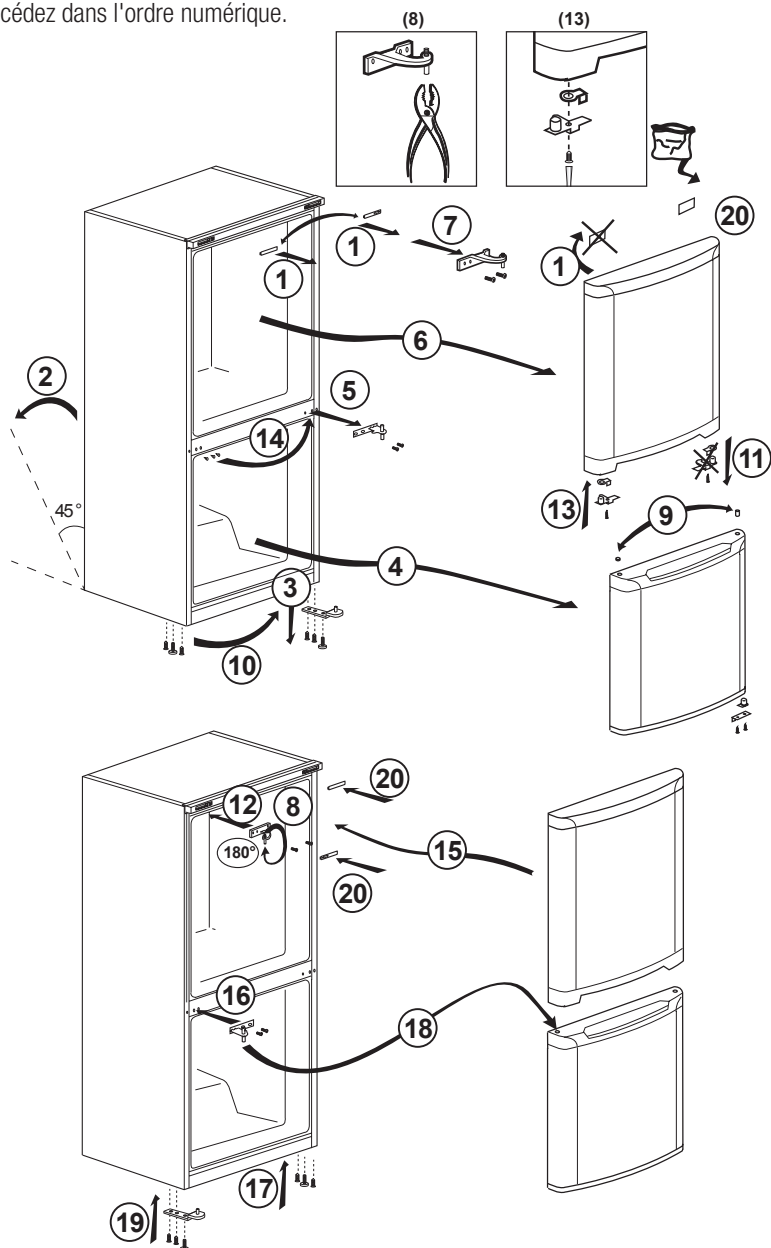
Procédez dans l'ordre numérique.



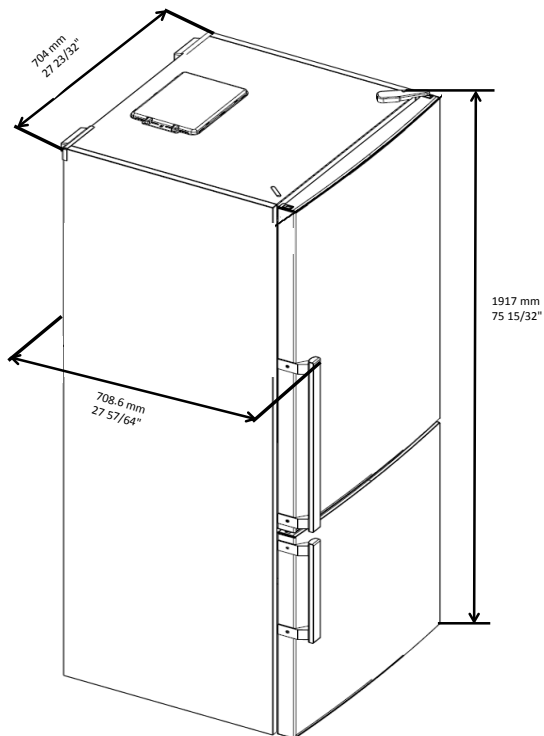
Installation

3.7. Réversibilité des portes

Procédez dans l'ordre numérique.



Installation



Hauteur (cm/inch)non arpenté	1917 -75 15 /32"
largeur (cm/inch)non arpenté	704 -27 23/32"
profondeur (cm/inch)non arpenté	708.6- 27 57/64"
Hauteur (cm/inch)rythme	1978-77 7/8"
largeur (cm/inch)rythme	747 -29 13/32"
profondeur (cm/inch)rythme	742- 29 7/32"
Poids brut (Kg) / lbs	90-198.5
Poids mort (Kg) / lbs	84 -184.2

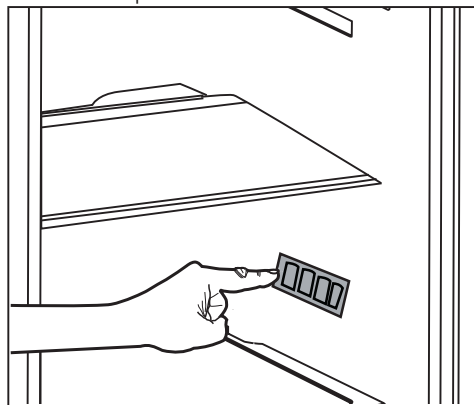
4.1. Moyens d'économiser l'énergie



Il est dangereux de connecter l'appareil aux systèmes électroniques d'économie d'énergie, ils pourraient l'endommager.

- Ne laissez pas la porte du réfrigérateur ouverte longtemps.
- Ne conservez pas des aliments ou des boissons chauds dans le réfrigérateur.
- Ne surchargez pas le réfrigérateur, l'obstruction du flux d'air interne réduira la capacité de réfrigération.
- Pour stocker une quantité maximale d'aliments dans le compartiment réfrigérateur, retirez les tiroirs supérieurs et placez-les sur l'étagère pour verres. La consommation énergétique définie de votre réfrigérateur est déterminée lorsque vous retirez le refroidisseur, le bac à glaçons et les tiroirs supérieurs d'une manière qui permettra un chargement maximal. Il est fortement recommandé d'utiliser le tiroir inférieur lors du chargement. Activez la fonction Économie d'énergie pour une meilleure consommation énergétique.
- Évitez de bloquer le flux d'air en plaçant les aliments devant le ventilateur du refroidisseur. Laissez un espace de 3 cm devant la grille de protection du ventilateur lors du chargement des aliments.
- Selon les caractéristiques de l'appareil, le dégivrage des aliments congelés dans le compartiment réfrigérateur assurera l'économie d'énergie et la préservation de la qualité des aliments.
- Placez les aliments dans les étagères à l'intérieur du compartiment réfrigérateur afin de réaliser des économies d'énergie et de conserver les aliments dans un meilleur environnement.
- Veillez à ce que les emballages d'aliments ne soient pas en contact direct avec le capteur de chaleur situé dans le compartiment réfrigérateur. Dans le cas contraire, la consommation énergétique de votre appareil pourrait augmenter.

- Veuillez-vous assurer que les aliments ne sont pas en contact direct avec le capteur de température du compartiment réfrigérateur décrit ci-après.



4.2. Première utilisation

Avant d'utiliser votre réfrigérateur, assurez-vous que les installations nécessaires sont conformes aux instructions des sections « Instructions en matière de sécurité et d'environnement » et « Installation ».

- Laissez l'appareil vide en marche pendant 6 heures, et ne l'ouvrez pas sauf en cas de nécessité absolue.



Un son retentit à l'activation du compresseur. Il est également normal d'entendre ce son lorsque le compresseur est inactif, en raison des liquides et des gaz comprimés présents dans le système de réfrigération.



Les bords avant du réfrigérateur peuvent chauffer. Ce phénomène est normal. Ces parties doivent en principe être chaudes afin d'éviter la condensation.



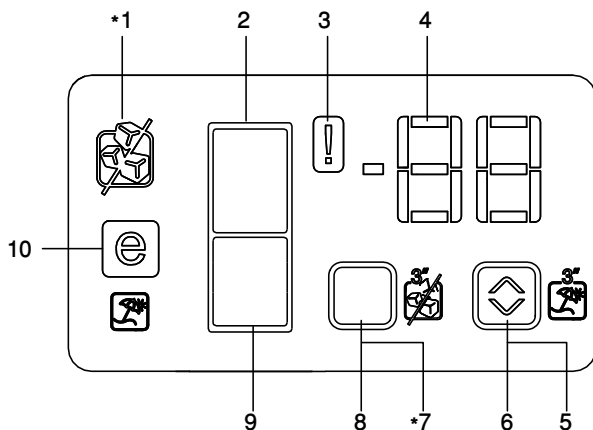
Dans certains modèles, le panneau indicateur se met automatiquement en veilleuse 5 minutes après la fermeture de la porte. Ce panneau s'active à nouveau lorsque la porte est ouverte ou lorsqu'on appuie sur un bouton.

5 Utilisation de l'appareil

5.1. Bandeau indicateur

Les bandeaux indicateur peuvent varier en fonction du modèle de l'appareil.

Les fonctions sonores et visuelles sur le panneau indicateur vous aident dans l'utilisation de votre réfrigérateur.



1. Indicateur de marche/arrêt de la machine à glace
2. Indicateur du compartiment réfrigérateur
3. Indicateur d'état de dysfonctionnement
4. Indicateur de température
5. Bouton Vacances
6. Bouton de réglage de la température
7. Bouton d'annulation de glace
8. Bouton de sélection du compartiment
9. Indicateur du compartiment réfrigérateur
10. Indicateur du mode Économie



Les images présentées dans ce manuel sont fournies à titre indicatif et elles peuvent ne pas correspondre exactement à votre appareil. Si votre appareil ne dispose pas des parties citées, alors l'information s'applique à d'autres modèles.

Utilisation de l'appareil

1. Indicateur de marche/arrêt de la machine à glace

Ce symbole s'affiche à l'écran quand la fonction Ice Off function est activée.

2. Indicateur du compartiment réfrigérateur

La lumière du compartiment réfrigérateur s'allume lors du réglage de la température du compartiment réfrigérateur.

3. Indicateur d'état de dysfonctionnement

Si votre réfrigérateur ne refroidit pas correctement ou s'il y a un dysfonctionnement dans un capteur, cet indicateur sera activé. Lorsque cet indicateur est activé, l'indicateur de la température du compartiment de congélation affichera «e» et l'indicateur de température du compartiment du réfrigérateur affichera des chiffres, par ex. : « 1,2,3... ». Ces codes fournissent au personnel de maintenance des informations concernant tout dysfonctionnement de l'appareil.

4. Indicateur de température

Indique les températures des compartiments réfrigérateur et congélateur.

5. Bouton Vacances

Appuyez sur ce bouton pendant 3 secondes pour activer la fonction Vacances. Appuyez de nouveau sur ce bouton pour désactiver la fonction sélectionnée.

6. Bouton de réglage de la température

Change la température du compartiment concerné entre 5°F/ 21°C et +46 °F/8 °C.

7. Bouton d'annulation de glace

Le réfrigérateur arrête de produire de la glace lorsque vous appuyez sur le bouton de sélection pendant 3 secondes.

8. Compartiment réfrigérateur

Bouton de sélection Appuyez sur le bouton de sélection du compartiment réfrigérateur pour basculer entre les compartiments réfrigérateur et congélateur.

9. Indicateur du compartiment réfrigérateur

La lumière du compartiment congélateur s'allume lors du réglage de la température du compartiment congélateur.

10. Indicateur du mode Économie

Ce bouton indique que le réfrigérateur fonctionne en mode d'économie d'énergie. Cet indicateur sera actif si la température du compartiment congélateur est réglé sur +5°F/-15 °C.

Utilisation de l'appareil

5.2. Seau à glace

(En option)

- Retirez le seau à glace du compartiment congélateur.
- Remplissez-le d'eau.
- Replacez le seau à glace dans le compartiment congélateur.
- Les glaçons seront prêts après environ deux heures. Retirez le seau à glace du compartiment congélateur et tordez-le légèrement au-dessus du support dans lequel vous souhaitez servir les glaçons. Les glaçons se verseront donc facilement dans le support dans lequel vous souhaitez les servir.

5.3. Support d'œufs

Vous pouvez placer le support d'œufs sur la porte ou l'étagère de votre choix. Si vous décidez de le placer sur l'étagère, il est recommandé de le placer sur les étagères inférieures car elles sont plus froides.

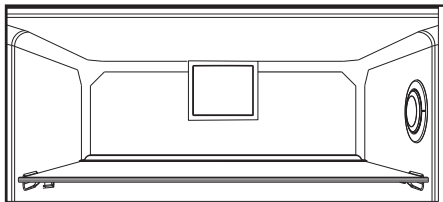


Évitez de placer le support d'œufs dans le compartiment congélateur.

5.4. Ventilateur

Le ventilateur a été conçu pour faire circuler de manière homogène l'air froid à l'intérieur de votre réfrigérateur. La durée de fonctionnement du ventilateur varie en fonction des propriétés de votre appareil.

Dans certains réfrigérateurs, le ventilateur fonctionne uniquement avec compresseur, dans d'autres systèmes de commande, il permet de déterminer la durée de fonctionnement basée sur le besoin de refroidissement.



5.5. Bac à légumes

(En option)

Le bac à légumes du réfrigérateur est conçu pour conserver les légumes frais en préservant l'humidité. Pour cela, la circulation de la totalité de l'air froid est intensifiée dans le bac à légumes.

5.6. Compartiment zéro degré

(En option)

Utilisez ce compartiment pour conserver de l'épicerie fine à des températures faibles, ou des produits carnés destinés à une consommation immédiate.

Le compartiment Zéro degré est l'endroit le plus froid où vous pouvez conserver les aliments tels que les produits laitiers, la viande, le poisson et la volaille dans des conditions idéales. Les légumes et/ou fruits ne doivent pas être conservés dans ce compartiment.

5.7. Machine à glace automatique

(En option)

La machine à glace automatique vous permet de faire facilement des glaçons dans votre réfrigérateur. Pour obtenir des glaçons à partir de la machine à glace, retirez le réservoir d'eau du compartiment réfrigérateur, remplissez-le d'eau et replacez-le.

Les premiers glaçons seront prêts dans environ 2 heures dans le tiroir à glace situé dans le compartiment réfrigérateur.

Après avoir placé le réservoir rempli, vous pouvez obtenir environ 60 à 70 cubes de glace jusqu'à ce qu'il soit entièrement vide.

Si l'eau contenue dans le réservoir date de 2 à 3 semaines, veuillez la remplacer.



Dans les réfrigérateurs équipés de machine à glace automatique, vous pourriez entendre un son lorsque vous versez la glace. Ce phénomène est tout à fait normal et ne constitue nullement un signe de dysfonctionnement.

Utilisation de l'appareil

5.8. Congélation des produits frais

- Pour conserver la qualité des aliments, les denrées placées dans le compartiment congélateur doivent être congelées le plus rapidement possible, à l'aide de la fonction de congélation rapide.
- Le fait de congeler les denrées à l'état frais prolongera la durée de conservation dans le compartiment congélateur.
- Emballez les aliments dans des emballages sous vide et scellez-les correctement.
- Assurez-vous que les aliments sont emballés avant de les placer dans le congélateur. Utilisez des récipients pour congélateur, du papier aluminium et du papier résistant à l'humidité, des sacs en plastique ou du matériel d'emballage similaire au lieu d'un papier d'emballage ordinaire.



La glace contenue dans le compartiment congélateur dégèle automatiquement.

- Marquez chaque emballage en y écrivant la date avant de le placer au congélateur. Ceci vous permettra de déterminer la fraîcheur de chaque paquet lors des ouvertures du congélateur. Mettez les aliments les plus anciens à l'avant pour vous assurer qu'ils sont utilisés en premier.
- Les aliments congelés doivent être utilisés immédiatement après le dégivrage et ne doivent pas être congelés à nouveau.
- Ne retirez pas de grandes quantités d'aliments au même moment.

5.9. Recommandations relatives à la conservation des aliments congelés

Le compartiment doit être réglé à $-18\text{ }^{\circ}\text{C}$ minimum.

1. Placez les aliments dans le congélateur le plus rapidement possible pour éviter leur dégivrage.
2. Avant de les faire dégivrer, vérifiez la « date d'expiration » sur l'emballage pour vous assurer de l'état des aliments.
3. Assurez-vous que l'emballage de l'aliment n'est pas endommagé.

Utilisation de l'appareil

5.10. Informations relatives au congélateur

Les aliments peuvent être préservés pour des périodes prolongées uniquement à des températures inférieures ou égales à -18 °C. Vous pouvez garder les aliments frais pendant des mois (dans le congélateur à des températures inférieures ou égales à 18 °C). Les aliments à congeler ne doivent pas être en contact avec ceux déjà congelés pour éviter un dégivrage partiel.

Faites bouillir les légumes et filtrer l'eau pour prolonger la durée de conservation à l'état congelé. Placez les aliments dans des conditionnements hermétiques après filtrage et placez-les dans le congélateur. Les bananes, les tomates, les feuilles de laitue, le céleri, les oeufs durs, les pommes de terre et les aliments similaires ne doivent pas être congelés. Lorsque les aliments pourrissent, seules les valeurs nutritionnelles et les qualités alimentaires sont négativement affectées. Il ne s'agit pas d'un aliment détérioré susceptible de constituer un danger pour la santé humaine.

5.11. Disposition des denrées

Étagères du compartiment congélateur	Vous pouvez congeler différents aliments comme de la viande, du poisson, des crèmes glacées, des légumes, etc.
Étagères du compartiment réfrigérateur	Les aliments contenus dans des casseroles, des plats couverts, des gamelles et les œufs (dans des gamelles)
Balconnets de la porte du compartiment réfrigérateur	Aliments emballés et de petite taille ou des boissons
Bac à légumes	Fruits et légumes

Compartiment des aliments frais	Épicerie fine (aliments pour petit déjeuner, produits carnés à consommer à court terme)
---------------------------------	---

5.12. Alerte ouverture de porte (En option)

Un signal sonore est émis si la porte de l'appareil reste ouverte pendant au moins 1 minute. Le signal sonore s'arrête à la fermeture de la porte ou lorsqu'on appuie sur bouton de l'écran (si disponible).

Ce signal destiné à l'utilisateur est à la fois audible et visuel. Le voyant intérieur s'allume si le signal d'avertissement est émis pendant 10 minutes.

5.13. Inversion de la direction d'ouverture de la porte

Vous pouvez inverser le sens d'ouverture de votre réfrigérateur, en fonction de son emplacement. Lorsque vous souhaitez effectuer cette opération, contactez le service agréé le plus proche.

L'explication ci-dessus est une déclaration générale. Veuillez vérifier l'étiquette d'avertissement située à l'intérieur de l'emballage de votre appareil, au sujet de l'inversion de la direction de la porte.

5.14. Éclairage interne

L'éclairage interne utilise une lampe de type DEL. Contactez le service agréé pour tout problème lié à cette lampe.

N'utilisez pas l'ampoule de cet appareil pour l'éclairage des maisons. Cette ampoule a été conçue pour permettre à l'utilisateur de placer les aliments dans le réfrigérateur / congélateur en toute sécurité et confortablement.

Un nettoyage régulier prolonge la durée de vie de votre réfrigérateur



AVERTISSEMENT : Débranchez votre réfrigérateur avant de le nettoyer.

- N'utilisez jamais d'outils pointus et abrasifs, de savon, de produits nettoyage domestiques, d'essence, de carburant, du cirage ou des substances similaires pour le nettoyage du produit.
- Faites dissoudre une cuillerée à café de carbonate dans de l'eau. Trempez un morceau de tissu dans cette eau et essorez-le. Nettoyez soigneusement l'appareil avec ce chiffon et ensuite avec un chiffon sec.
- Veillez à ne pas mouiller le logement de la lampe ainsi que d'autres composants électriques.
- Nettoyez la porte à l'aide d'un chiffon humide. Retirez tous les aliments avant le retrait de la porte et des balconnets. Retirez les balconnets de la porte en les tirant vers le haut. Nettoyez et séchez les étagères, puis refixez-les en les faisant glisser à partir du haut.
- N'utilisez pas d'eau contenant du chlore, ou des produits de nettoyage pour les surfaces externes et les pièces chromées de l'appareil. Le chlore provoque la rouille de ces surfaces métalliques.

6.1. Prévention des mauvaises odeurs

À sa sortie d'usine, cet appareil ne contient aucun matériau odorant. Cependant, la conservation des aliments dans des sections inappropriées et le mauvais nettoyage de l'intérieur peuvent donner lieu aux mauvaises odeurs.

Pour éviter cela, nettoyez l'intérieur à l'aide de carbonate dissout dans l'eau tous les 15 jours.

- Conservez les aliments dans des récipients fermés. Les micro-organismes pourraient se propager sur les produits alimentaires non fermés et émettre de mauvaises odeurs.

- Ne conservez pas d'aliments périmés ou avariés dans le réfrigérateur.

6.2. Protection des surfaces en plastique

Si de l'huile se répand sur les surfaces en plastique, il faut immédiatement les nettoyer avec de l'eau tiède, sinon elles seront endommagées.

6.3. Vitre de porte

Retirez le film protecteur qui recouvre les vitres.

La surface des vitres est dotée d'un revêtement.

Il s'agit d'une sorte de revêtement qui élimine les taches au minimum et permet un nettoyage facile des taches formées. Toutes vitres non protégées à l'aide d'un revêtement pourraient être exposées à la dépendance permanente des organismes pathogènes propagés par l'air et l'eau ou des agents inorganiques tels que le calcaire, les sels minéraux, les hydrocarbures imbrûlés, les oxydes et silicones métalliques qui causent facilement des taches et des dommages physiques dans une courte durée. Par conséquent, le maintien des vitres propres devient très difficile, malgré le lavage fréquent. En outre, la clarté et l'apparence propre des vitres sont impossibles. Des méthodes et composants de nettoyage décupants et corrosifs intensifient ce défaut et accélèrent le processus d'abrasion.

Pour les travaux de nettoyage de routine, il est recommandé d'utiliser des produits de nettoyage à base d'eau qui sont non-alcalins et non-abrasifs.

Pour prolonger la durée de vie de ce revêtement, évitez d'utiliser des matériaux alcalins et abrasifs.

Ces vitres ont subi un processus d'humidification, afin de les protéger contre tous chocs et brisement.

En plus des vitres, un film de sécurité a été appliqué à la surface arrière afin d'éviter les dommages à l'environnement dans le cas où elles se briseraient.

*L'alcali est une base qui forme les ions d'hydroxyde (OH) lorsqu'il est dissout dans de l'eau.

Les métaux Li (Lithium), Na (Sodium), K (Potassium), Rb (Rubidium), Cs (Caesium) et radioactifs Fr (Francium) constituent les MÉTAUX ALCALI.

Parcourez la liste ci-après avant de contacter le service de maintenance. Cela devrait vous éviter de perdre du temps et de l'argent. Cette liste répertorie les plaintes fréquentes ne provenant pas de vices de fabrication ou des défauts de pièces. Certaines fonctionnalités mentionnées dans ce manuel peuvent ne pas exister sur votre modèle.

Le réfrigérateur ne fonctionne pas.

- La fiche d'alimentation n'est pas bien fixée. >>> Branchez-la en l'enfonçant complètement dans la prise.
- Le fusible branché à la prise qui alimente l'appareil ou le fusible principal est grillé. >>> Vérifiez le fusible.

Condensation sur la paroi latérale du congélateur (MULTI ZONE, COOL, CONTROL et FLEXI ZONE).

- La porte est ouverte trop fréquemment >>> Évitez d'ouvrir trop fréquemment la porte de l'appareil.
- L'environnement est trop humide. >>> N'installez pas l'appareil dans des endroits humides.
- Les aliments contenant des liquides sont conservés dans des récipients non fermés. Conservez ces aliments dans des emballages scellés.
- La porte de l'appareil est restée ouverte. >>> Ne laissez pas la porte du réfrigérateur ouverte longtemps.
- Le thermostat est réglé à une température trop basse. >>> Réglez le thermostat à la température appropriée.

Le compresseur ne fonctionne pas.

- En cas de coupure soudaine de courant ou de débranchement intempestif, la pression du gaz dans le système de réfrigération de l'appareil n'est pas équilibrée, ce qui déclenche la fonction de conservation thermique du compresseur. L'appareil se remet en marche au bout de 6 minutes environ. Dans le cas contraire, veuillez contacter le service de maintenance.
- L'appareil est en mode dégivrage. >>> Ce processus est normal pour un appareil à dégivrage complètement automatique. Le dégivrage se déclenche périodiquement.
- L'appareil n'est pas branché. >>> Vérifiez que le cordon d'alimentation est connecté à la prise.
- Le réglage de température est inapproprié. >>> Sélectionnez le réglage de température approprié.
- Cas de coupure de courant. >>> L'appareil continue de fonctionner normalement dès le retour du courant.

Le bruit du réfrigérateur en fonctionnement s'accroît pendant son utilisation.

- Le rendement de l'appareil en fonctionnement peut varier en fonction des fluctuations de la température ambiante. Ceci est normal et ne constitue pas un dysfonctionnement.

Le réfrigérateur fonctionne fréquemment ou pendant de longues périodes.

Dépannage

- Il se peut que le nouvel appareil soit plus grand que l'ancien. Les appareils plus grands fonctionnent plus longtemps.
- La température de la pièce est probablement élevée. Il est normal que l'appareil fonctionne plus longtemps lorsque la température de la pièce est élevée.
- L'appareil vient peut-être d'être branché ou chargé de nouveaux aliments. >>> L'appareil met plus longtemps à atteindre la température réglée s'il vient d'être branché ou récemment rempli d'aliments. Ce phénomène est normal.
- Il est possible que des quantités importantes d'aliments chauds aient été récemment placées dans l'appareil. >>> Ne placez pas d'aliments chauds dans votre appareil.
- Les portes étaient ouvertes fréquemment ou sont restées longtemps ouvertes. >>> L'air chaud circulant à l'intérieur de l'appareil le fera fonctionner plus longtemps. N'ouvrez pas les portes trop régulièrement.
- Le congélateur ou le réfrigérateur est peut-être resté entrouvert. >>> Vérifiez que les portes sont bien fermées.
- L'appareil peut être réglé à une température trop basse. >>> Réglez la température à un degré supérieur et patientez que l'appareil atteigne la nouvelle température.
- Le joint de la porte du réfrigérateur ou du congélateur peut être sale, usé, brisé ou mal positionné. >>> Nettoyez ou remplacez le joint. Si le joint de la porte est endommagé ou arraché, l'appareil mettra plus de temps à conserver la température actuelle.

La température du réfrigérateur est très basse, alors que celle du congélateur est appropriée.

- La température du compartiment congélateur est réglée à un degré très bas. >>> Réglez la température du compartiment congélateur à un degré supérieur et procédez de nouveau à la vérification.

La température du réfrigérateur est très basse, alors que celle du congélateur est appropriée.

- La température du compartiment réfrigérateur est réglée à un degré très bas. >>> Réglez la température du compartiment congélateur à un degré supérieur et procédez de nouveau à la vérification.

Les aliments conservés dans le compartiment réfrigérateur sont congelés.

- La température du compartiment réfrigérateur est réglée à un degré très bas. >>> Réglez la température du compartiment congélateur à un degré supérieur et procédez de nouveau à la vérification.

La température du compartiment réfrigérateur ou congélateur est très élevée.

Dépannage

- La température du compartiment réfrigérateur est réglée à un degré très élevé.
>>> Le réglage de la température du compartiment réfrigérateur a un effet sur la température du compartiment congélateur. Patientez que la température des parties concernées atteigne le niveau suffisant en changeant la température des compartiments réfrigérateur et congélateur.
- Les portes étaient ouvertes fréquemment ou sont restées longtemps ouvertes.
>>> N'ouvrez pas les portes trop régulièrement.
- La porte est peut-être restée ouverte. >>> Fermez hermétiquement la porte du réfrigérateur.
- L'appareil vient peut-être d'être branché ou chargé de nouveaux aliments.
>>> Ce phénomène est normal. L'appareil met plus longtemps à atteindre la température réglée s'il vient d'être branché ou récemment rempli d'aliments.
- Il est possible que des quantités importantes d'aliments chauds aient été récemment placées dans l'appareil. >>> Ne placez pas d'aliments chauds dans votre appareil.

En cas de vibrations ou de bruits.

- Le sol n'est pas plat ou solide. >>> Si l'appareil balance lorsqu'il est déplacé doucement, ajustez les supports afin de le remettre en équilibre. Vérifiez également que le sol est assez solide pour supporter le poids de l'appareil.
- Les éléments placés sur le réfrigérateur pourraient faire du bruit. >>> Veuillez les retirer.

L'appareil émet un bruit d'écoulement de liquide ou de pulvérisation, etc.

- Le fonctionnement de l'appareil implique des écoulements de liquides et des émissions de gaz. >>> Ce phénomène est normal et ne constitue pas un dysfonctionnement.

L'appareil émet un sifflement.

- L'appareil effectue le refroidissement à l'aide d'un ventilateur. Ceci est normal et ne constitue pas un dysfonctionnement.

Les parois internes de l'appareil présentent une condensation.

- Un climat chaud ou humide accélère le processus de givrage et de condensation. Ceci est normal et ne constitue pas un dysfonctionnement.
- Les portes étaient ouvertes fréquemment ou sont restées longtemps ouvertes.
>>> N'ouvrez pas les portes trop fréquemment ; fermez-les lorsqu'elles sont ouvertes.
- La porte est peut-être restée ouverte. >>> Fermez hermétiquement la porte du réfrigérateur.

Il y a de la condensation sur les parois externes ou entre les portes de l'appareil.

- Il se peut que le climat ambiant soit humide, auquel cas cela est normal. >>> La condensation se dissipe lorsque l'humidité baisse.

Présence d'une odeur désagréable dans l'appareil.

Dépannage

- • L'appareil n'est pas nettoyé régulièrement. >>> Nettoyez régulièrement l'intérieur du réfrigérateur en utilisant une éponge, de l'eau chaude et de l'eau gazeuse.
- • Certains récipients et matériaux d'emballage sont peut-être à l'origine de mauvaises odeurs. >>> Utilisez des récipients et des emballages exempts de toute odeur.
- • Les aliments ont été placés dans des récipients non fermés. >>> Conservez les aliments dans des récipients fermés. Les micro-organismes pourraient se propager sur les produits alimentaires non fermés et émettre de mauvaises odeurs. Retirez tous les aliments périmés ou avariés de l'appareil.

La porte ne se ferme pas.

- Des emballages d'aliments peuvent bloquer la porte. >>> Déplacez tout ce qui bloque les portes.
- L'appareil ne se tient pas parfaitement droit sur le sol. >>> Ajustez les pieds afin de remettre l'appareil en équilibre.
- Le sol n'est pas plat ou solide. >>> Assurez-vous que le sol est plat et assez solide pour supporter le poids de l'appareil.

Le bac à légumes est engorgé.

- Il est possible que les aliments soient en contact avec la section supérieure du tiroir. >>> Reclassez les aliments dans le tiroir.



AVERTISSEMENT : Si le problème persiste même après observation des instructions contenues dans cette partie, contactez votre fournisseur ou un service de maintenance agréé. N'essayez pas de réparer l'appareil de vous-même.

DECLARATION DE GARANTIE POUR LES REFRIGERATEURS BLOMBERG

Les garanties offertes par Blomberg dans ces déclarations s'appliquent uniquement aux réfrigérateurs Blomberg vendus à l'acheteur ou propriétaire original aux États-Unis et au Canada. La garantie n'est pas transférable. Pour obtenir un service de garantie, veuillez contacter votre distributeur le plus près tel que listé par province. Vous aurez besoin du numéro de modèle du réfrigérateur, du numéro de série, du nom et de l'adresse du détaillant où vous l'avez acheté ainsi que de la date d'achat et de la date d'installation. Cette garantie vous confère des droits légaux spécifiques, et vous pouvez également bénéficier d'autres droits qui peuvent varier d'une province à l'autre. De plus, assurez-vous d'enregistrer votre produit pour la garantie au www.blombergappliances.com.

1 an (*) de garantie complète à partir de la date de la première installation

Blomberg réparera ou remplacera sans frais pour le consommateur toutes pièces défectueuses du réfrigérateur si utilisé sous des conditions domestiques normales (la garantie est annulée si le produit est utilisé à des fins commerciales par ex. gîtes touristiques, centre de soins, etc.). Le service doit aussi être effectué par une agence de service autorisée par Blomberg. (Les défauts de fabrication apparents doivent être signalés en dedans de 10 jours ouvrables de l'installation). 1 an de garantie sur les accessoires, pour les pièces seulement et n'inclut pas la main d'oeuvre.

2 ans ** de garantie à compter de la date de la première installation (pièces uniquement) Blomberg réparera ou remplacera toute pièce sans aucun frais pour le consommateur pour tout défaut de matière ou de fabrication à l'origine du dommage ou de la défaillance de ces éléments. Le réfrigérateur doit avoir été utilisé dans des conditions normales domestiques et non commerciales tel que mentionné ci-dessus. (Le coût de la main d'oeuvre est à la charge du consommateur).

2-5 ans (*, **) de garantie limitée à partir de la date de la première installation

(pièces seulement 2-5 ans). Blomberg réparera ou remplacera tous les compresseurs, évaporateurs, condenseurs et déshydrateurs sans frais pour le consommateur si des vices de matériaux ou de main d'oeuvre ont causés des dommages ou des défaillances de ces composants.

Le réfrigérateur devra avoir été utilisé sous des conditions domestiques normales et non commerciale (Les frais de main d'oeuvre sont la responsabilité du consommateur).

Exonérations de garantie et exclusions :

La garantie ne couvre pas les frais de service d'un agent de service autorisé pour corriger des problèmes d'installation, électriques ou l'instruction éducationnelle sur l'utilisation du réfrigérateur. La garantie ne couvre pas non plus les défauts ou les dommages causés par une catastrophe naturelle (comme des tempêtes, des inondations, des incendies, des coulées de boue, etc.), des dommages causés par l'utilisation du réfrigérateur dans des buts autres que ceux pour lesquels il a été conçu, mauvaise utilisation, abus, accident, altération, mauvaise installation, entretien, frais de déplacements, appels de service en dehors des heures de service normales, ramassage et livraison, toute perte d'aliments à cause d'une défectuosité du produit, service non autorisé ou personne de service non autorisée.

Ce produit a subi des tests complets et a eu des inspections d'assurance de qualité officiels avant de quitter le site de fabrication original. Les conditions de garantie pour cet électroménager Blomberg n'est pas valide si le produit a été altéré, tripoté, modifié, si des pièces supplémentaires ont été assemblées, fixées et réemballées par un distributeur autorisé, une personne d'entretien, un détaillant de tierce partie, un revendeur ou par toute(s) autre(s) personne(s) non autorisée(s).

DANS LA LIMITE DE CE QUI EST AUTORISÉ PAR LA LOI, CETTE GARANTIE TIENT LIEU DE TOUTES LES AUTRES GARANTIES, EXPRESSES OU IMPLICITES, Y COMPRIS LES GARANTIES IMPLICITES DE QUALITÉ MARCHANDE ET D'ADAPTATION À UN USAGE PARTICULIER. BLOMBERG DÉCLINE TOUTE RESPONSABILITÉ EN CE QUI A TRAIT À LA QUALITÉ DE CE PRODUIT SAUF MENTION CONTRAIRE DANS CETTE DÉCLARATION DE GARANTIE. BLOMBERG N'ASSUME AUCUNE RESPONSABILITÉ QUAND À L'ADAPTATION DU PRODUIT POUR TOUT BUT PARTICULIER POUR LEQUEL VOUS POURRIEZ ACHETER CE PRODUIT, SAUF MENTION CONTRAIRE DANS CETTE DÉCLARATION DE GARANTIE.

Blomberg n'assume aucune responsabilité pour les dommages indirects ou consécutifs. De tels dommages incluent, mais sans s'y limiter, la perte de profits, la perte d'épargnes ou de revenus, la perte de l'utilisation du réfrigérateur ou de tout équipement associé, le coût du capital, le coût de tout équipement substitué, installations ou services, pannes, les réclamations de tiers, et des dommages à la propriété. Certaines provinces n'autorisent pas l'exclusion ou la limitation des dommages accessoires ou indirects, de sorte que les limitations ou exclusions ci-dessus peuvent ne pas s'appliquer à vous.

(*) La date d'installation réfère à la date d'achat ou à 5 jours ouvrables après la livraison du produit à la maison, la plus tardive de ces deux dates prévalant. () Les pièces remplacées assumeront l'identité des pièces originales + leur garantie originale.**

Aucune autre garantie. Cette déclaration de garantie est la garantie complète et exclusive du fabricant. Aucun employé de Blomberg ou autre tiers n'est autorisé à faire des déclarations de garantie en plus de celles énoncées dans cette Déclaration de garantie.

Veuillez conserver cette carte de garantie, manuel d'utilisation et votre reçu de caisse pour référence future.

COMMENT OBTENIR UN SERVICE

Veuillez contacter le distributeur pour votre province tel que listé sur la Liste de contact des distributeurs, ou appelez notre numéro sans frais au 1 800 459 9848 pour être dirigé vers un Agent de service Blomberg.

Lea este manual de usuario antes de utilizar el aparato.

Estimado cliente:

Esperamos que este aparato, que ha sido fabricado en plantas dotadas de la más avanzada tecnología y sometido a los más estrictos procedimientos de control de calidad, le preste un servicio eficaz.

Por lo tanto, lea detenidamente este manual de instrucciones antes de utilizar el aparato y guardar el manual como referencia. Si entrega el aparato a otro propietario, no olvide incluir el manual de usuario.

El manual del usuario le ayudará a usar el aparato de manera rápida y segura.

- Lea el manual antes de instalar y poner en funcionamiento el aparato.
- Asegúrese de haber leído las instrucciones de seguridad.
- Conserve el manual en un sitio de fácil acceso, ya que podría necesitarlo en el futuro.
- Lea los otros documentos incluidos con el producto.

Recuerde que este manual de usuario también es aplicable a otros modelos. Las diferencias entre los modelos se identificarán en el manual.

Explicación de los símbolos

En este manual se utilizan los siguientes símbolos:

	Información importante o consejos de utilidad.
	Existe un riesgo de lesiones y de daños a la propiedad.
	Existe riesgo de descargas eléctricas.
	El embalaje del aparato se fabrica con materiales reciclables, de acuerdo con nuestro Reglamento Nacional sobre Medio Ambiente.

Contenidos

1 Instrucciones importantes para la seguridad y el medio ambiente	3	5 Manejo del aparato	16
2 Familiarizarse con el electrodoméstico	8	5.1. Panel indicador	16
3 Instalación	9	5.2. Cubitera.....	18
3.1. Lugar adecuado para la instalación	9	5.3. Huevera.....	18
3.2. Instalación de las cuñas de plástico.....	9	5.4. Ventilador.....	18
3.3. Ajuste de los pies.....	10	5.5. Cajón de frutas y verduras	18
3.4. Conexión eléctrica.....	10	5.6. Compartimento de enfriamiento	18
3.5. Conexión de la manguera de agua al frigorífico.....	10	5.7. Icematic automático	19
3.6. Inversión de las puertas	12	5.8. Congelación de alimentos frescos	20
3.7. Inversión de las puertas	13	5.9. Recomendaciones para la conservación de alimentos congelados.....	21
4 Preparación	14	5.10. Información sobre la congelación	21
4.1. Consejos para el ahorro de energía.....	14	5.11. Colocar los alimentos.....	21
4.2. Uso inicial.....	14	5.12. Aviso de puerta abierta	22
		5.13. Cambio de la dirección de apertura de la puerta	22
		5.14. Lámpara de iluminación	22
		6 Mantenimiento y limpieza	23
		6.1. Cómo evitar malos olores.....	23
		6.2. Protección de las superficies de plástico	23
		6.3. Vidrios de las puertas	24
		7 Resolución de problemas	25

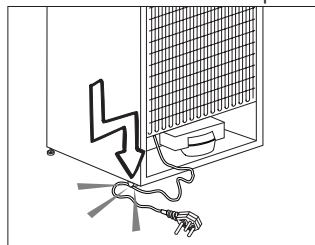
1 Instrucciones importantes para la seguridad y el medio ambiente

Esta sección contiene instrucciones sobre seguridad que le ayudarán a protegerse de posibles riesgos de lesiones o daños a la propiedad. La no observancia de estas instrucciones invalidará la garantía.

1.1. Seguridad general

- Este aparato puede ser utilizado por niños de edades no inferiores a 8 años y personas con discapacidades físicas, sensoriales o mentales o con falta de experiencia o conocimientos, siempre que lo hagan acompañados de una persona adulta familiarizada con el uso seguro del aparato y los posibles riesgos. No permita a los niños jugar con el electrodoméstico. No permita a los niños realizar trabajos de limpieza o mantenimiento del aparato, si no es bajo la supervisión de un adulto.
- Desenchufe el aparato en caso de fallo de funcionamiento.
- Si el aparato presenta alguna anomalía, no lo use hasta que no haya sido reparado por un servicio técnico autorizado. ¡Existe riesgo de descargas eléctricas!
- Conecte el aparato a un enchufe provisto de toma de tierra y protegido por un fusible conforme a los valores indicados en placa de características. Solicite a un electricista cualificado la instalación del sistema de conexión a tierra. Nuestra empresa no se hará responsable de daños provocados por el uso del aparato sin una toma de tierra conforme a las normativas locales.
- Desenchufe el aparato cuando no lo utilice.
- Jamás lave el aparato rociándolo con agua, ¡Existe riesgo de descargas eléctricas!
- Nunca toque el enchufe con las manos húmedas. Jamás desenchufe el aparato tirando del cable, tire siempre del enchufe.

- Se recomienda limpiar regularmente la punta del enchufe con un paño seco.



- No enchufe el frigorífico si el enchufe no encaja con firmeza en la toma de corriente de la pared.
- No conecte el frigorífico a sistemas de ahorro de electricidad. Pueden ser perjudiciales para el aparato.
- Desenchufe el aparato durante los procedimientos de instalación, mantenimiento, limpieza y reparación.
- Deje siempre los procedimientos de instalación y reparación en manos del **servicio técnico autorizado**. El fabricante no se hará responsable de los posibles daños derivados de la realización de dichos procedimientos por parte de personas no autorizadas.
- ¡No consuma los helados o cubitos de hielo inmediatamente después de sacarlos del compartimento congelador! ya que podría sufrir daños en su boca a causa del frío.
- No toque los alimentos congelados con las manos, ya que podrían adherirse a la piel.
- No deposite bebidas embotelladas o enlatadas en el compartimento congelador, ya que podrían explotar.
- No utilice vapor o materiales de limpieza con vapor para limpiar descongelar el frigorífico. El vapor puede causar un cortocircuito o descargas eléctricas al entrar en contacto con las partes eléctricas del frigorífico.

Instrucciones para la seguridad y el medio ambiente

- No utilice dispositivos mecánicos u otros medios para acelerar el proceso de descongelación distintos de los recomendados por el fabricante.
- No utilice nunca elementos del frigorífico tales como la puerta y el cajón como medio de sujeción o como escalón, ya que podría provocar que el aparato volcara o dañe algunas de sus partes.
- Evite dañar el circuito del refrigerante con herramientas cortantes o de perforación. El refrigerante contenido en los canales de gas del evaporador, los conductos o los recubrimientos de las superficies puede causar irritaciones en la piel y lesiones en los ojos.
- No cubra ni bloquee los orificios de ventilación de su frigorífico con ningún material.
- Coloque las bebidas de mayor graduación alcohólica juntas y en posición vertical.
- No utilice pulverizadores con gas cerca del aparato, porque existe riesgo de incendio o explosión.
- No guarde nunca en el frigorífico productos inflamables o que contengan gases inflamables (p. ej. aerosoles).
- No coloque recipientes con líquidos sobre el aparato. Si el agua se vierte sobre un componente eléctrico, podría causar descargas eléctricas o un incendio.
- No guarde en el frigorífico productos (vacunas, medicamentos sensibles al calor, materiales científicos, etc.) que requieran un control preciso de la temperatura.
- Si no va a utilizar el aparato durante un periodo prolongado de tiempo, desenchúfelo y retire los alimentos de su interior.
- Si el aparato incorpora luz azul, no mire a la luz azul con herramientas ópticas.
- Desde el punto de vista de la seguridad eléctrica, es peligroso exponer el aparato a la lluvia, la nieve o el viento.
- En aparatos con control mecánico (termostato), espere un mínimo de 5 minutos antes de volver a enchufar el aparato, si ha sido desenchufado.
- No sobrecargue el aparato. Podrían caerse al abrir la puerta y causar lesiones o daños. Problemas similares pueden producirse si se colocan objetos sobre el aparato.
- Si la puerta del aparato está equipada con un tirador, no tire de él para mover el frigorífico. Podría soltarse.
- Tenga cuidado de que sus manos o cualquier otra parte de su cuerpo no queden atrapada por las piezas móviles del interior del aparato.

1.1.1 Advertencia sobre la seguridad y la salud

- Si el sistema de refrigeración de su aparato contiene R600a:

Este gas es inflamable. Por lo tanto, procure no dañar el sistema de enfriamiento ni sus conductos durante el uso o el transporte del aparato. En caso de daños, mantenga el aparato alejado de fuentes potenciales de ignición que puedan provocar que éste sufra un incendio, y ventile la estancia en la que se encuentre el aparato.

Ignore esta advertencia si el sistema de refrigeración de su aparato contiene R134a.

El tipo de gas utilizado en el aparato se indica en la placa de datos ubicada en la pared interior izquierda del frigorífico.

Jamás arroje el aparato al fuego.

Instrucciones para la seguridad y el medio ambiente

	Si el aparato está equipado con un sistema de refrigeración que contiene gas R134a, ignore esta advertencia.
	Puede ver qué gas se ha utilizado en la fabricación de su aparato en la placa de características ubicada en la parte interior izquierda.
	ADVERTENCIA: Jamás arroje el aparato al fuego.

1.1.2 Para aparatos equipados con dispensador de agua

- La presión de la entrada de agua fría debe ser como máximo de 90 psi (6.2 bar). Si la presión de agua sobrepasa los 80 psi (5.5 bar), use una válvula de limitación de presión en sistema de suministro. Si no sabe cómo comprobar la presión del agua, pida ayuda a un fontanero profesional.
- Si hay riesgo de que haya un efecto de golpe de agua en su instalación, use siempre un dispositivo de prevención de golpe de agua en ella. Consulte con fontaneros profesionales si no está seguro de que no hay efecto de golpe de agua en la instalación.
- No lo coloque en la entrada de agua caliente. Tome precauciones para evitar el riesgo de congelación de las mangueras. EL intervalo de la temperatura del agua en uso debería ser de 33°F (0.6°C) como mínimo y de 100°F (38°C) como máximo.
- Use agua potable únicamente.

1.2. Finalidad prevista

- Este aparato ha sido diseñado para uso doméstico. No es adecuado para un uso comercial y no debe dársele otros usos distintos del uso previsto.
- El aparato debe utilizarse solamente para guardar alimentos.
- El fabricante declina toda responsabilidad derivada de un uso o transporte incorrectos.
- La vida útil de su aparato es de 10 años. Durante este periodo estarán disponibles los recambios originales necesarios para que el aparato funcione adecuadamente.

1.3 Seguridad infantil

- Si la puerta tiene cerradura, mantenga la llave fuera del alcance de los niños.
- Vigile a los niños para evitar que manipulen el aparato.

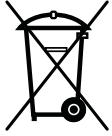


PELIGRO: Riesgo de que los niños queden atrapados. Antes de deshacerse de su viejo frigorífico o congelador:

- Retire las puertas.
- Deje los estantes en su sitio para evitar que los niños puedan meterse en el frigorífico con facilidad.

Instrucciones para la seguridad y el medio ambiente

1.4. Conformidad con la normativa RAEE y eliminación del aparato al final de su vida útil:



Este producto es conforme con la directiva de la UE sobre residuos de aparatos eléctricos y electrónicos (WEEE) (2012/19/UE). Este producto tiene un símbolo de clasificación para el

deshecho de equipos eléctricos y electrónicos (RAEE). Este aparato se ha fabricado con piezas y materiales de primera calidad, que pueden ser reutilizados y son aptos para el reciclado. No se deshaga del producto junto con sus los residuos domésticos normales y de otros tipos al final de su vida útil. Llévelo a un centro de reciclaje de dispositivos eléctricos y electrónicos. Solicite a las autoridades locales información acerca de dichos centros de recogida.

1.5 Cumplimiento de la directiva RoHS:

- El producto que ha adquirido es conforme con la directiva de la UE (RoHS) (2011/65/UE). No contiene ninguno de los materiales nocivos o prohibidos especificados en la directiva.

1.6 Información sobre el embalaje

- El embalaje del aparato se fabrica con materiales reciclables, de acuerdo con nuestro Reglamento Nacional sobre Medio Ambiente. No elimine los materiales de embalaje junto con los residuos domésticos o de otro tipo. Llévelos a un punto de recogida de materiales de embalaje designado por las autoridades locales.



PELIGRO: Riesgo de incendio o explosión. Se usa refrigerante inflamable. No use aparatos mecánicos para descongelar el frigorífico. Evite perforar los tubos de refrigerante.



PELIGRO: Riesgo de incendio o explosión. Se usa refrigerante inflamable. Las reparaciones deben correr a cargo únicamente de personal de asistencia adiestrado. Evite perforar los tubos de refrigerante.



ADVERTENCIA:: Riesgo de incendio o explosión. Se usa refrigerante inflamable. Consulte el manual de reparaciones o la guía del propietario antes de intentar reparar este producto. Es preciso observar todas las precauciones de seguridad.

Instrucciones para la seguridad y el medio ambiente

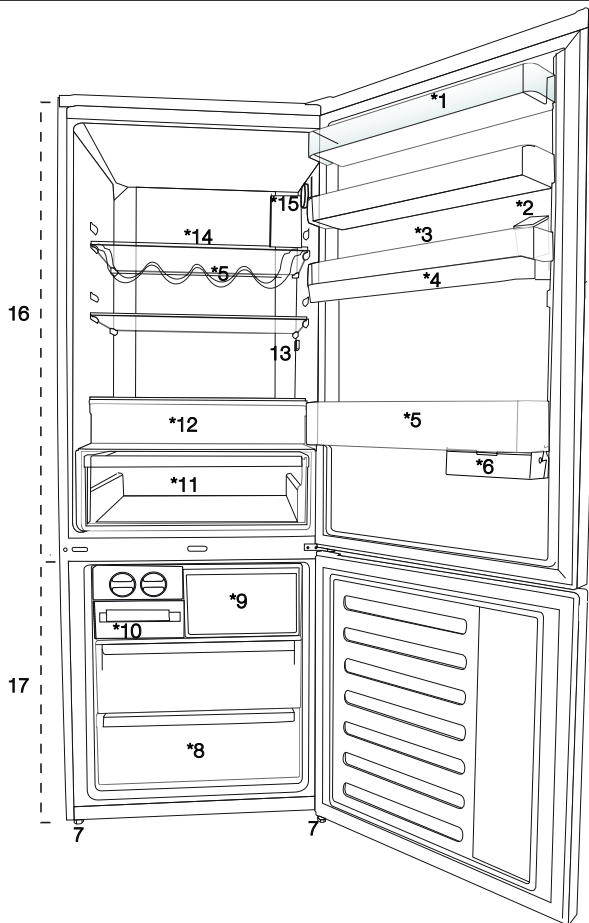


ADVERTENCIA:: Riesgo de incendio o explosión. Deshágase del aparato adecuadamente, según lo dispuesto por las normativas nacionales o locales. Se usa refrigerante inflamable.



ADVERTENCIA:: Precaución
- Riesgo de incendio o explosión debido a la perforación de los tubos de refrigerante; siga las instrucciones cuidadosamente. Se usa refrigerante inflamable."

2 Familiarizarse con el electrodoméstico



1. Estante de la puerta del compartimento refrigerador
2. Contenedor de llenado del dispensador de agua
3. Huevera
4. Depósito del dispensador de agua
5. Estante para botellas
6. Contenedor de almacenamiento deslizante
7. Pies ajustables
8. Compartimento congelador
9. Compartimento de congelación rápida
10. Cubitera y compartimento para hielo
11. Cajón de verdura
12. Compartimento de cero grados
13. Luz interior
14. Estante de vidrio del compartimento refrigerador
15. Botón de ajuste de la temperatura
16. Compartimento refrigerador
17. Compartimento congelador



Las ilustraciones de este manual se proporcionan a modo de ejemplo y podrían no corresponderse exactamente con su aparato. Si determinadas partes no están presentes en el aparato que usted ha adquirido, indica que la figura corresponde a otro modelo.

3 Instalación

3.1. Lugar adecuado para la instalación

Contacte con un Servicio Técnico autorizado para la instalación del aparato. Para tener el aparato a punto para la instalación, vea la información en la guía de usuario y asegúrese de que las herramientas eléctricas y de agua sean las adecuadas. Si no lo son, llame a un electricista y a un fontanero para que hagan las modificaciones necesarias.



ADVERTENCIA: El fabricante no se responsabiliza de ningún daño causado por el trabajo llevado a cabo por personas no autorizadas.



ADVERTENCIA: El aparato debe estar desenchufado durante la instalación. ¡No hacerlo podría causar la muerte o lesiones graves!



ADVERTENCIA: Si la extensión de la puerta es demasiado estrecha para permitir el paso del aparato, retire la puerta y gire el aparato de lado; si esto no funciona, contacte con el servicio técnico autorizado.

- Coloque el aparato sobre una superficie lisa para evitar sacudidas.
- Instale el aparato a una distancia no inferior de 30 cm de radiadores, estufas y fuentes de calor similares y una distancia no inferior a 5 cm de cualquier horno eléctrico.

- No exponga el aparato directamente a la luz solar en ambientes húmedos.
- El producto requiere una circulación de aire adecuada para funcionar de manera eficiente.
- Si va a colocar el aparato en un hueco de la pared, no olvide dejar una distancia mínima de 5 cm con respecto al techo y las paredes.
- No instale el aparato en ambientes con una temperatura por debajo de -5°C .

3.2. Instalación de las cuñas de plástico

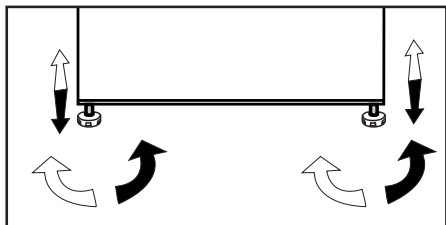
Use las cuñas de plástico incluidas con el aparato para que haya suficiente espacio para la circulación de aire entre el producto y el techo.

1. Para ello, retire los tornillos del aparato y utilice los tornillos que encontrará en la bolsa de las cuñas.

Instalación

3.3. Ajuste de los pies

Si el aparato no queda equilibrado tras su instalación, ajuste los pies frontales girándolos de la derecha a la izquierda.



3.4. Conexión eléctrica

	ADVERTENCIA: No utilice enchufe múltiples o alargadores en la conexión eléctrica.
	ADVERTENCIA: Deje en manos de un servicio técnico autorizado la sustitución de un cable de alimentación dañado.
	Cuando coloque dos refrigeradores en posición adyacente, deje al menos una distancia de 4 cm entre las dos unidades.

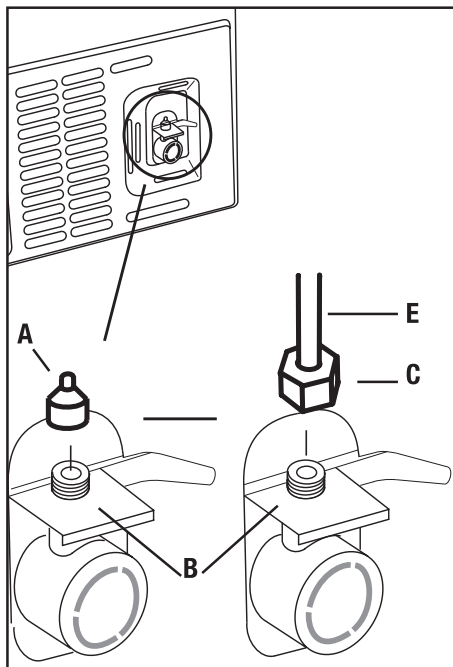
- Nuestra compañía no se responsabilizará de ningún desperfecto debido al uso de conexiones sin toma de tierra tal como establecen las normativas nacionales.
- El enchufe de alimentación debe ser fácilmente accesible tras la instalación.
- Conecte el frigorífico a una toma de tierra con una tensión de 110V/60 Hz. El enchufe debe contener un fusible de 10-16A.
- No use enchufes múltiples o sin cable de extensión entre la toma de pared y el frigorífico.

3.5. Conexión de la manguera de agua al frigorífico

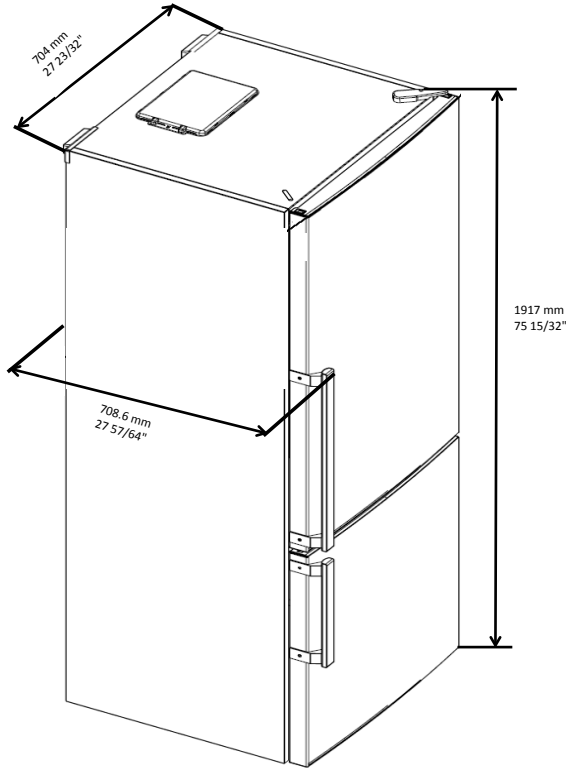
1. Inserte la manguera de agua (a) en el racor (b).
2. Empuje la manguera del agua hacia abajo con fuerza para que se introduzca en la válvula de entrada de agua (c).
3. Apriete el racor (c) manualmente para fijarlo en la manguera de entrada de agua.



Normalmente, no se necesita una herramienta para apretar el racor. Sin embargo, puede utilizar una llave o alicate para apretar el racor si hay una fuga.



Instalación

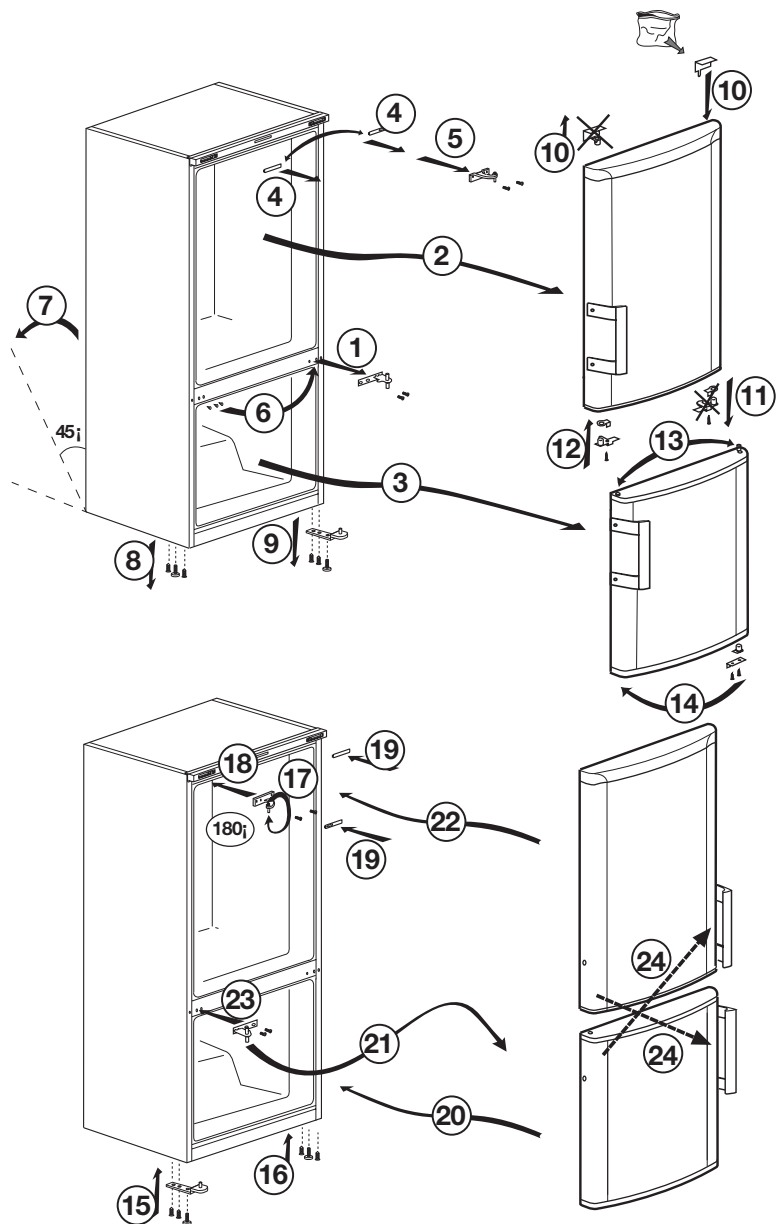


Altura: (cm/inch) desempaquetados	1917 -75 15/32"
Anchura: (cm/pulgadas) desempaquetados	704 -27 23/32"
Profundidad: (cm/pulg) desempaquetados	708.6 - 27 57/64"
Altura: (cm/inch) empaquetados	1978-77 7/8"
Anchura: (cm/pulgadas) desempaquetados	747 - 29 13/32"
Profundidad: (cm/pulg) empaquetado	742-29 7/324"
Peso Bruto (Kg) / lbs	90 - 198.5
Peso Neto (Kg) / lbs	84 - 184.2

Instalación

3.6. Inversión de las puertas

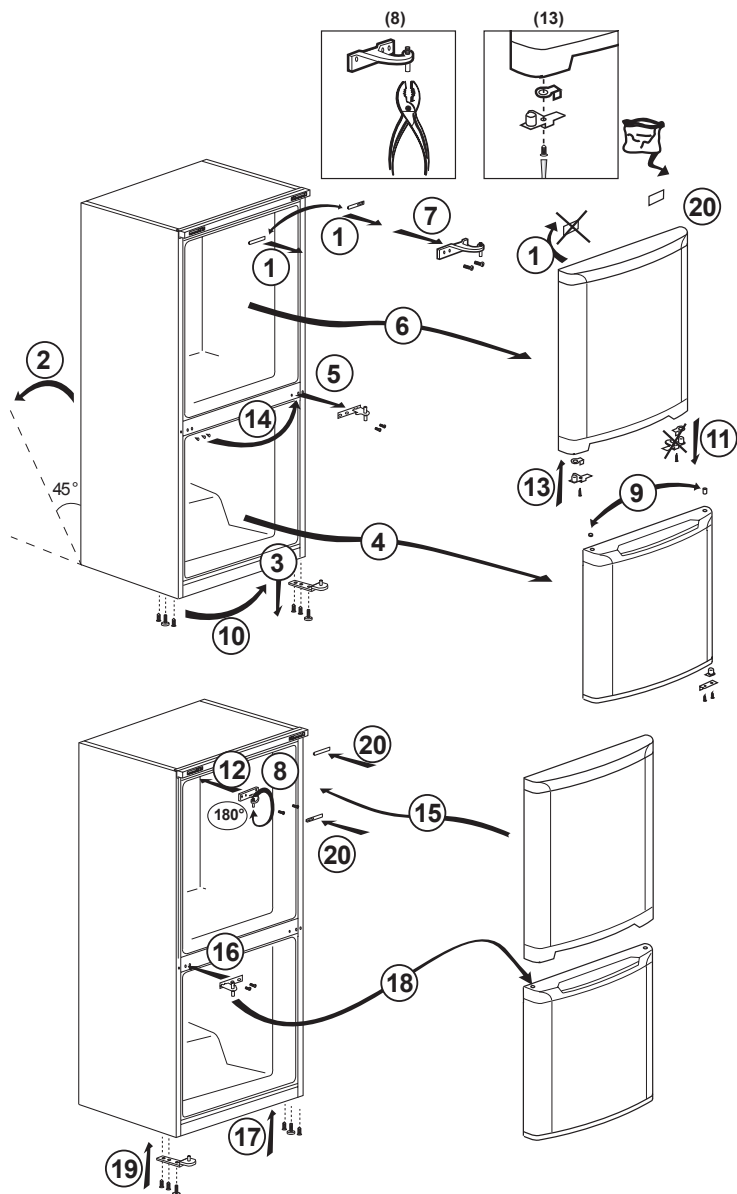
Proceder en orden numérico.



Instalación

3.7. Inversión de las puertas

Proceder en orden numérico.



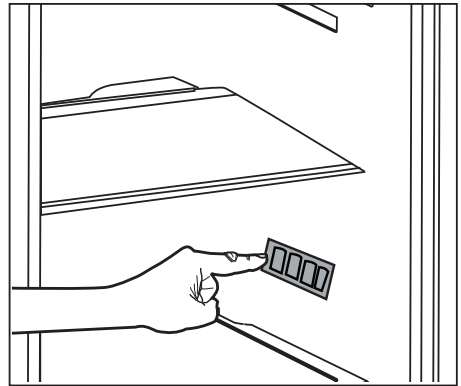
4.1. Consejos para el ahorro de energía



El aparato podría sufrir daños si se conecta a sistemas de ahorro de energía, por lo que es arriesgado.

- No deje las puertas del frigorífico abiertas durante periodos largos de tiempo.
- No introduzca alimentos o bebidas calientes en el frigorífico.
- No sobrecargue el frigorífico, pues se reducirá la capacidad de enfriamiento si se obstaculiza la circulación del aire en el interior.
- Para poder almacenar la máxima cantidad de alimentos en el compartimento del congelador, debe retirar el icematic, ubicado allí y que puede ser retirado con la mano. El volumen neto y el consumo energético especificados en la placa de datos del frigorífico se miden y se prueban retirando el frigorífico. No retire los estantes de dentro del compartimento del congelador de la puerta del compartimento del congelador. Úselos siempre, pues facilitan el uso del aparato y ayudan al consumo energético eficiente.
- No bloquee el flujo de aire colocando alimentos a los lados del ventilador del compartimento del congelador. Deje una distancia mínima de 3 cm a los lados de las paredes de la cobertura de protección del ventilador.
- Use siempre los canastos/cajones que se suministran con el compartimento del congelador para obtener un menor consumo de energía y mejores condiciones de almacenamiento.
- El contacto de los alimentos con el sensor de temperatura en el compartimento congelador puede elevar el consumo de energía del

electrodoméstico. Por lo tanto, se debe evitar todo contacto con el/los sensor/es.



- Según las características del electrodoméstico, descongele alimentos congelados en el compartimento del frigorífico para obtener un ahorro energético y conservar la calidad de los alimentos.
- No deje que los alimentos entren en contacto con el sensor de temperatura del compartimento del frigorífico que aparece en la imagen de más arriba.

4.2. Uso inicial

Antes de empezar a utilizar el frigorífico, compruebe que se hayan realizado todas las preparaciones indicadas en las secciones "Instrucciones importantes sobre seguridad" e "Instalación".

- Mantenga el aparato en funcionamiento durante 6 horas sin alimentos en su interior y no abra la puerta si no es estrictamente necesario.



Se oye un ruido cada vez que el compresor se pone en funcionamiento. Los líquidos y los gases contenidos en el sistema de refrigeración pueden también generar ruidos, incluso aunque el compresor no esté funcionando, lo cual es normal.



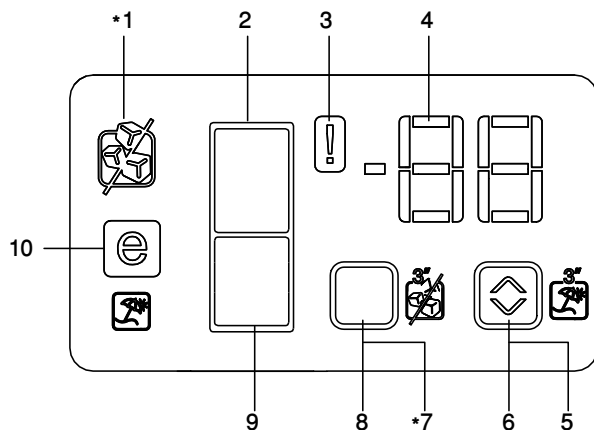
Es posible que las aristas delanteras del aparato se noten calientes al tacto. Esto es normal. Estas zonas deben permanecer calientes para evitar la condensación.



En algunos modelos, el panel de instrumentos se apaga automáticamente 5 minutos después de que la puerta se haya cerrado. Se reactivará cuando la puerta se abra o cuando se pulse cualquier tecla.

5.1. Panel indicador

Los paneles indicadores pueden variar dependiendo del modelo de aparato. Las funciones audiovisuales del panel indicador le ayudan a utilizar el aparato.



1. Indicador de funcionamiento automático de la máquina de hielo automática
2. Indicador del compartimento frigorífico
3. Indicador de error
4. Indicador de temperatura
5. Botón del modo vacaciones
6. Botón de ajuste de la temperatura
7. Botón de cancelación de la formación de hielo
8. Botón de selección de compartimento
9. Indicador del compartimento congelador
10. Indicador del modo ahorro



***opcional:** Las ilustraciones de este manual se proporcionan a modo de ejemplo y podrían no corresponderse exactamente con su aparato. Si determinadas partes no están presentes en el aparato que usted ha adquirido, indica que la figura corresponde a otro modelo.

Funcionamiento del aparato

1. Indicador de funcionamiento automático de la máquina de hielo automática

Este símbolo aparece en la pantalla al activar la función de cancelación de la formación de hielo

2. Indicador del compartimento frigorífico

La luz del compartimento frigorífico se enciende al ajustar la temperatura del compartimento frigorífico.

3. Indicador de error

Este indicador se activará si su frigorífico no enfría adecuadamente o si hay un fallo en el sensor. Cuando este indicador esté encendido, el indicador de la temperatura del compartimento congelador mostrará "e" y el indicador de temperatura del compartimento frigorífico mostrará números, por ejemplo "1,2,3...". Estos números proporcionan al personal de mantenimiento información acerca del error.

4. Indicador de temperatura

Indica la temperatura de los compartimentos frigorífico y congelador.

5. Botón del modo vacaciones

Mantenga pulsado el botón durante 3 segundos para activar la función de vacaciones. Pulse de nuevo este botón para desactivar la función seleccionada.

6. Botón de ajuste de la temperatura

Cambia la temperatura del compartimento correspondiente en un rango de entre -5°F/ 21°C y +46 °F/8 °C.

7. Botón de cancelación de la formación de hielo

Al mantener pulsado este botón durante 3 segundos, el frigorífico detiene la formación de hielo.

8. Compartimento frigorífico

Botón de selección Pulse el botón de selección de compartimento para alternar entre el compartimento frigorífico y el compartimento congelador.

9. Indicador del compartimento congelador

La luz del compartimento congelador se enciende al ajustar la temperatura del compartimento congelador.

10. Indicador del modo ahorro

Indica que el frigorífico está funcionando en modo de eficiencia energética. Este indicador estará activo si la temperatura del compartimento congelador se fija en +5°F/-15 °C.

Funcionamiento del aparato

5.2. Cubitera

*opcional

- Retire la cubitera del compartimento congelador.
- Llene la cubitera con agua.
- Coloque la cubitera en el compartimento congelador.
- El hielo estará listo en unas dos horas aproximadamente. Retire la cubitera del compartimento congelador y dóblelo ligeramente encima de la bandeja donde lo vaya a servir. El hielo se verterá fácilmente en la bandeja para servir.

5.3. Huevera

Puede instalar la huevera en la puerta o el estante que desee. Si va a colocarlo en los estantes del cuerpo, se recomienda usar los estantes inferiores más fríos.

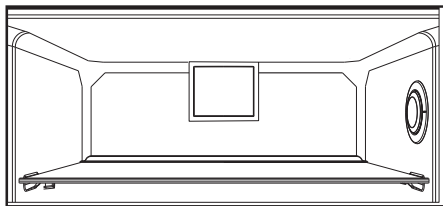


No ponga la huevera en el compartimento congelador

5.4. Ventilador

"El ventilador turbo está diseñado para garantizar una distribución y circulación homogéneas del aire frío en el interior del su frigorífico. El tiempo de funcionamiento puede variar según las propiedades del electrodoméstico.

En algunos modelos, el ventilador funciona únicamente cuando lo hace el compresor, mientras que en otros el sistema de control determina su tiempo de funcionamiento de acuerdo con las necesidades de enfriamiento.



5.5. Cajón de frutas y verduras

El cajón de frutas y verduras de su aparato está especialmente diseñado para mantener la frescura de sus vegetales sin que pierdan su humedad. Con este fin, alrededor del cajón de frutas y verduras se intensifica la circulación de aire frío.

5.6. Compartimento de enfriamiento

(Característica opcional)

Use este compartimento para almacenar delicatessen que deban almacenarse a temperaturas más bajas o productos cárnicos que vaya a consumir dentro de poco tiempo. El compartimento refrigerador es el lugar más frío del frigorífico, donde podrá almacenar productos lácteos, carnes, pescado y carne de ave de corral en las mejores condiciones. No almacene frutas ni verduras en este compartimento.

5.7. Icematic automático

(Característica opcional)

El Icematic automático le permite fabricar hielo en el frigorífico fácilmente. Retire el depósito del agua del compartimento frigorífico, llénelo de agua y vuélvalo a colocar para obtener hielo del sistema Icematic.

Los primeros cubitos estarán disponibles al cabo de unas dos horas en la cubitera del sistema Icematic ubicada en el compartimento congelador.

Si llena por completo el depósito de agua, podrá obtener aproximadamente entre 60 y 70 cubitos de hielo.

Cambie el agua del depósito de agua si ha estado allí durante 2-3 semanas.



Para los productos que tienen el Icematic automático, se puede oír cuando se esté formando el hielo. Este sonido es normal y en ningún caso indica un fallo.

Funcionamiento del aparato

5.8. Congelación de alimentos frescos

- Para preservar la calidad de los alimentos, debe congelarlos tan pronto como sea posible cuando los coloque en el compartimento congelador. Utilice la función de congelación rápida para esta finalidad.
- Puede guardar los alimentos durante más tiempo en el compartimento congelador cuando los congele cuando estén frescos.
- Envuelva los alimentos que vaya a congelar y cierre el envase para que quede hermético.
- Asegúrese de envolver bien los alimentos antes de colocarlos en el congelador. Use contenedores para congelador, láminas y papeles antihumedad, bolsas de plástico y otros materiales de embalaje en vez de papeles de embalaje tradicionales.

- Etiquete cada paquete de alimentos con la fecha antes de congelarlos. De esta manera, podrá distinguir el frescor de cada paquete de alimentos cada vez que abra el congelador. Guarde los alimentos congelados en la parte frontal del compartimento para asegurar que se consuman primero.



El compartimento del congelador se deshuela de manera automática.

- Consuma inmediatamente los alimentos recién descongelados, y no los vuelva a congelar.
- No congele cantidades demasiado grandes de una sola vez.

Funcionamiento del aparato

5.9. Recomendaciones para la conservación de alimentos congelados

El compartimento no debe estar a más de -18°C .

1. Coloque los paquetes de alimentos congelados en el congelador lo antes posible tras su compra sin dejar que se descongelen.
2. Compruebe si las fechas de consumo preferente y caducidad de los envases han vencido o no antes de congelarlos.
3. Asegúrese de que el envase de comida no esté dañado.

5.10. Información sobre la congelación

Los alimentos sólo pueden conservarse durante periodos prolongados de tiempo a temperaturas de -18°C o menos.

Los alimentos frescos pueden conservarse durante muchos meses en el congelador a temperaturas de -18°C o menos.

No deje que los alimentos entren en contacto con alimentos previamente congelados, con el fin de evitar que éstos puedan descongelarse parcialmente.

Hierva las verduras y drene el agua para almacenarla durante más tiempo ya que estarán congeladas. Después de descargar el agua, colóquelos en

paquetes herméticos y colóquelos dentro del congelador. Alimentos tales como plátanos, tomates, lechuga, huevos duros y patatas hervidas saladas no son aptas para la congelación. Cuando estos alimentos estén congelados, su valor nutricional y sabor pueden verse afectados negativamente. Esto podría crear un riesgo para la salud humana.

5.11. Colocar los alimentos

Estantes del compartimento congelador	Alimentos congelados diversos tales como carnes, pescados, helados, verduras, etc.
Estantes del compartimento frigorífico	Alimentos en cazuelas, platos cubiertos y recipientes cerrados, huevos (en recipientes cerrados)
Estantes de la puerta del compartimento frigorífico	Alimentos o bebidas en envases pequeños
Cajón de frutas y verduras	Verduras y frutas

Funcionamiento del aparato

Compartimento de alimentos frescos	Las delicatessen (comida de desayuno, productos cárnicos que vayan a consumirse en poco tiempo)
------------------------------------	---

5.12. Aviso de puerta abierta

(Característica opcional)

El frigorífico emitirá una señal acústica de aviso cuando la puerta del aparato permanezca abierta más de un 1 minuto. Esta advertencia quedará silenciada cuando se cierre la puerta o se pulse cualquiera de los botones de la pantalla (si los hay). La advertencia de puerta abierta se da tanto en forma visual como acústica. Si la advertencia prosigue durante 10 minutos, las luces interiores se apagarán.

5.13. Cambio de la dirección de apertura de la puerta

Puede cambiar la dirección de apertura de la puerta de su frigorífico en función del lugar en donde lo use. Si es necesario, o por favor, llame al servicio técnico más cercano.

La descripción anterior es una información acerca del cambio de la dirección de la puerta, deberá consultar la etiqueta de advertencia del lado interior de la puerta.

5.14. Lámpara de iluminación

Las luces LED se usan como lámparas de iluminación. Contacte con un servicio técnico autorizado en caso de que haya algún problema con este tipo de luz.

La(s) luz(es) usadas en este aparato no son aptas para la iluminación de las habitaciones del hogar. El fin previsto de la luz es ayudar al usuario a colocar alimentos en el frigorífico/congelador de una manera segura y cómoda.

6 Mantenimiento y limpieza

La vida útil del aparato aumentará si lo limpia regularmente.



ADVERTENCIA: Desenchufe primero el aparato antes de limpiarlo.

- No utilice nunca para la limpieza herramientas afiladas o abrasivas, jabones, limpiadores domésticos, detergentes ni ceras abrillantadoras.
- Disuelva una cucharadita de bicarbonato en medio cuarto de agua. Empape un trapo en la solución y escúrralo totalmente. Limpie el interior del aparato con este paño y luego séquelo totalmente.
- Asegúrese de que no penetre agua en el alojamiento de la lámpara ni otros elementos eléctricos.
- Utilice un paño húmedo para limpiar la puerta. Para retirar la puerta y los estantes, retire todos sus contenidos. Retire los estantes de la puerta tirando de ellos hacia arriba. Tras limpiarlos, deslícelos de arriba hacia abajo para su colocación.
- Nunca use agentes de limpieza o agua que contengan cloro para limpiar las superficies exteriores y los cromados del producto, ya que el cloro corroe dichas superficies metálicas.
- No use herramientas afiladas o abrasivas, jabón, agentes de limpieza domésticos detergentes, queroseno, gasolina, barniz, etc. para eliminar las huellas dactilares de las piezas de plástico. Use agua tibia un paño suave para limpiarlo, y luego séquelo.

6.1. Cómo evitar malos olores

Nuestros electrodomésticos no se fabrican con materiales que puedan producir olores. Sin embargo, una conservación inadecuada de los alimentos y la falta de limpieza de la superficie interior del electrodoméstico pueden dar lugar a un problema de olores.

Por lo tanto, limpie el frigorífico con bicarbonato disuelto en agua cada 15 días.

- Conserve los alimentos en recipientes cerrados. Los microorganismos que proliferan en los envases no cubiertos pueden causar malos olores.
- Retire del frigorífico los alimentos cuya fecha de caducidad haya vencido y estén en mal estado.

6.2. Protección de las superficies de plástico

Límpielos con agua caliente inmediatamente, puesto que el aceite podría dañar las superficies de plástico.

6.3. Vidrios de las puertas

Retire la lámina protectora de los vidrios.

Hay una capa que reduce al mínimo la formación de manchas y ayuda a eliminarlas con facilidad, así como la suciedad que pueda depositarse.

Los vidrios que no disponen de este recubrimiento de protección pueden verse sometidos a la acción persistente de sustancias orgánicas o inorgánicas presentes en el aire o el agua como por ejemplo cal, sales minerales, hidrocarburos sin quemar, óxidos de metal y siliconas que pueden causar con facilidad y rapidez manchas o daños materiales. Resulta muy difícil mantener el vidrio siempre limpio, a pesar de la limpieza regular. En consecuencia, el aspecto y la transparencia del vidrio se deteriora. Los métodos y productos de limpieza fuertes y corrosivos intensificarán estos efectos y acelerarán el proceso de deterioro.

Limpie siempre los vidrios con productos de limpieza con base acuosa que no sean alcalinos ni corrosivos.

Utilice siempre productos no alcalinos ni corrosivos para la limpieza, a fin de prolongar al máximo la vida útil de este recubrimiento.

Son vidrios templados para incrementar su resistencia frente a impactos y roturas.

La superficie posterior de los vidrios cuenta con una película de seguridad que evita que cause daños a los objetos circundantes en caso de rotura.

Consulte la siguiente lista antes de llamar al servicio técnico. Si lo hace podrá ahorrar tiempo y dinero. La lista incluye las quejas más comunes que no tienen relación con un problema de fabricación ni con el material usado. Puede que ciertas características mencionadas aquí no sean de aplicación a este aparato.

El frigorífico no funciona.

- El enchufe de alimentación no está colocada correctamente. >>> Enchúfelo para colocarlo correctamente en la toma de alimentación.
- El fusible conectado a la toma de corriente del aparato o el fusible principal están fundidos. >>> Compruebe los fusibles.

Condensación en la pared lateral del compartimento frigorífico (MULTIZONA, CONTROL DE FRÍO y FLEXI ZONA).

- El ambiente es demasiado frío. >> No instale el aparato en ambientes con una temperatura por debajo de -5°C.
- La puerta se abre con demasiada frecuencia >>> Intente no abrir la puerta tan a menudo.
- El ambiente es demasiado húmedo. >> No instale el aparato en ambientes demasiado húmedos.
- Los alimentos que contengan líquidos están guardados en recipientes no sellados. >>> Guarde los alimentos que contengan líquidos en recipientes sellados.
- La puerta del aparato se ha dejado abierta. >>> No deje la puerta del aparato abierta durante mucho tiempo.
- El termostato está ajustado a un nivel muy bajo. >>> Ajuste el termostato a una temperatura adecuada.

El compresor no funciona.

- En caso de que haya un apagón repentino o de desenchufar el cable y enchufarlo de nuevo, la presión de gas del sistema de refrigeración del aparato no estará equilibrada, lo que accionará la protección térmica del compresor. El aparato se reiniciará aproximadamente al cabo de 6 minutos. Si el aparato no se reinicia después de este período, contacte con el servicio técnico.
- La descongelación está todavía activo. >>> Esto es normal en un congelador con descongelación automática. La descongelación se realiza periódicamente.
- El aparato no está enchufado. >>> Asegúrese de que el cable de alimentación está enchufado.
- El ajuste de temperatura es incorrecto. >>> Seleccione el ajuste de temperatura adecuado.
- Se ha cortado el suministro eléctrico. >>> El aparato seguirá funcionando con normalidad una vez que el suministro se haya restablecido.

El ruido de funcionamiento del frigorífico aumenta durante su uso.

- Tales valores variarán en función de las fluctuaciones de la temperatura ambiente. Esto es perfectamente normal, y no constituye una avería.

El frigorífico está mucho tiempo funcionando o se enciende con demasiada frecuencia.

Resolución de problemas

- Puede que su nuevo aparato sea más grande que el que tenía anteriormente. Los aparatos más grandes funcionarán durante más tiempo.
- Puede que la temperatura ambiente sea alta. >>> El aparato funcionará normalmente durante largos períodos de tiempo con una temperatura ambiente más alta.
- Puede que el aparato se haya enchufado recientemente o que se haya colocado un nuevo alimento en su interior. >>> El aparato tardará más en alcanzar la temperatura cuando haya sido enchufado recientemente o cuando se coloque un nuevo alimento en su interior. Esto es normal.
- Puede que se haya colocado grandes cantidades de alimentos calientes en el aparato. >>> No coloque alimentos calientes en el aparato.
- Las puertas se han abierto demasiado a menudo o se dejan abiertas durante largos períodos de tiempo. >>> El aire circulante en el interior hará que el aparato funcione durante más tiempo. No abra las puertas con demasiada frecuencia.
- Puede que el congelador o la la puerta del congelador esté entreabierta. >>> Compruebe que las puertas estén totalmente cerrados.
- Puede que el aparato esté configurado con una temperatura demasiado baja. >>> Fije la temperatura a un grado más alto y espere a que el aparato alcance la temperatura establecida.
- Es posible que la junta de la puerta del compartimento frigorífico o congelador esté sucia, desgastada, rota o no asentada correctamente. >>> Limpie o sustituya la junta. Una junta de puerta rota / dañada hará que el aparato funcione durante más tiempo para preservar la temperatura actual.

La temperatura del frigorífico es muy baja, pero la del congelador es adecuada.

- La temperatura del compartimento congelador está fijada a un grado muy bajo. >>> Fíjela a un grado más alto y compruébelo de nuevo.

La temperatura del frigorífico es muy baja, mientras que la del congelador es adecuada.

- La temperatura del compartimento congelador está fijada a un grado muy bajo. >>> Fíjela a un grado más alto y compruébelo de nuevo.

Los alimentos depositados en los cajones del compartimento frigorífico están congelados.

- La temperatura del compartimento congelador está fijada a un grado muy bajo. >>> Fíjela a un grado más alto y compruébelo de nuevo.

La temperatura del congelador o del frigorífico es demasiado alta.

Resolución de problemas

- La temperatura del compartimento congelador está fijada a un grado muy bajo. >>> La temperatura del compartimento refrigerador incide en la temperatura del compartimento congelador. Cambie las temperaturas del frigorífico o el congelador y espere hasta que la temperatura de los compartimentos correspondientes estén a un nivel adecuado.
- Las puertas se han abierto demasiado a menudo o se dejan abiertas durante largos períodos de tiempo. >>> No abra las puertas con demasiada frecuencia.
- Puede que la puerta esté entreabierta. >>> Cierre la puerta totalmente.
- Puede que el aparato se haya enchufado recientemente o que se haya colocado un nuevo alimento en su interior. >>> Esto es normal. El aparato tardará más en alcanzar la temperatura cuando haya sido enchufado recientemente o cuando se coloque un nuevo alimento en su interior.
- Puede que se haya colocado grandes cantidades de alimentos calientes en el aparato. >>> No coloque alimentos calientes en el aparato.

Sacudidas o ruidos.

- El suelo no está nivelado o estable. >>> Si el aparato vibra, ajuste los pies para equilibrarlo. Compruebe además que el suelo sea lo suficientemente firme para soportar el aparato.
- Cualquier elemento colocado en el aparato puede provocar ruidos >>> Retire cualquier elemento colocado en el producto.

El aparato emite ruido del líquido en circulación, pulverización, etc.

- Los líquidos y gases fluyen en función de los principios de funcionamiento del frigorífico. >>> Esto es normal y no es una avería.

El aparato emite un ruido de sople de viento.

- El aparato usa un ventilador para el proceso de refrigeración. Esto es perfectamente normal, y no constituye una avería.

Hay condensación en las paredes internas del aparato.

- El tiempo cálido y húmedo favorece la formación de hielo y la condensación. Esto es perfectamente normal, y no constituye una avería.
- Las puertas se han abierto demasiado a menudo o se dejan abiertas durante largos períodos de tiempo. >>> No abra las puertas con demasiada frecuencia. Si las abre, ciérrelas.
- Puede que la puerta esté entreabierta. >>> Cierre la puerta totalmente.

Hay condensación en el exterior del aparato o entre sus puertas.

- Puede que haya humedad en el aire; es algo bastante normal en climas húmedos. >>> Cuando el grado de humedad descienda, la condensación desaparecerá.

Resolución de problemas

El interior huele mal.

- El producto no se limpia regularmente. >>> Limpie el interior regularmente con una esponja, agua caliente y bicarbonato.
- Ciertos recipientes y materiales de embalaje pueden causar mal olor. >>> Utilice recipientes y materiales de embalaje libres de malos olores.
- Los alimentos están guardados en recipientes no sellados. >>> Guarde los alimentos en recipientes sellados. Los microorganismos pueden propagarse fuera de los recipientes de alimentos y causar olores desagradables.
- Retire cualquier alimentos caducado o descompuesto del aparato.

La puerta no cierra.

- Puede que los paquetes de comida estén bloqueando la puerta. >>> Recoloque los elementos que estén bloqueando la puerta.
- El aparato no está colocado en el suelo en una posición totalmente vertical. >>> Ajuste los soportes para equilibrar el aparato.
- El suelo no está equilibrado o no es sólido. >>> Compruebe además que el suelo esté nivelado y que sea capaz de soportar el peso del frigorífico.

El cajón de las verduras está atascado.

- Puede que los alimentos estén en contacto con la sección superior del cajón. >>> Reorganice los alimentos del cajón.



ADVERTENCIA: Si el problema persiste después de seguir las instrucciones en este apartado, contacte con un distribuidor o con el servicio técnico autorizado. No intente reparar el aparato.

DECLARACIÓN DE LA GARANTÍA PARA LOS REFRIGERADORES BLOMBERG

Las garantías proporcionadas por Blomberg en estas declaraciones se aplican solamente a los refrigeradores Blomberg vendidos al comprador o propietario original en Estados Unidos y Canadá. La garantía no es transferible. Para obtener el servicio de la garantía, comuníquese con nuestro distribuidor más cercano, según se indican por estado y provincia. Necesitará el número de modelo, el número de serie, y el nombre y dirección del vendedor de su refrigerador, donde lo compró y la fecha de compra /fecha de instalación. Esta garantía le otorga derechos legales específicos y también puede tener otros derechos, que varían según el estado. También, asegúrese de registrar su producto para la garantía en www.blombergappliances.com.

1 año (*) de garantía total a partir de la fecha de la primera instalación

Blomberg reparará o reemplazará sin ningún costo para el consumidor las piezas defectuosas del refrigerador si se utilizó bajo condiciones de electrodoméstico normal (la garantía se anula si este producto se usa de forma comercial, por ejemplo en un hotel, hogar de ancianos, etc.) A la reparación la debe realizar una agencia de servicio autorizada de Blomberg. (Los defectos cosméticos se deben informar en un plazo de 10 días hábiles a partir de la instalación). La garantía de 1 año de los accesorios es para las piezas solamente y no incluye la mano de obra.

Garantía limitada de dos años desde la fecha de la primera instalación (únicamente piezas). Blomberg reparará o sustituirá cualquier pieza sin ningún costo para el cliente si los daños o los fallos de estos componentes se deben a materiales defectuosos o a la mano de obra. De nuevo, el frigorífico debe haberse usado bajo condiciones domésticas normales y no comercialmente, tal como se ha indicado anteriormente (la mano de obra va a cargo del cliente).

2 a 5 años (*, **) de garantía limitada a partir de la fecha de la primera instalación

(para las piezas solamente de 2 a 5 años) Blomberg reparará o reemplazará cualquier compresor, evaporador, condensador o secadora sin costo para el consumidor si los defectos en el material o la mano de obra causaron daños o fallas en estos componentes.

El refrigerador se debe haber usado bajo condiciones normales de electrodoméstico y no de manera comercial (los cargos por mano de obra son responsabilidad del consumidor).

Exención de las garantías y exclusiones:

La garantía no cubre los costos de reparación por parte de un agente de servicio autorizado para corregir la instalación, los problemas eléctricos o la instrucción educativa sobre el uso del refrigerador. La garantía tampoco cubre los defectos o daños causados por casos fortuitos (como tormentas, inundaciones, incendios, aludes, etc.), los daños causados por el uso del refrigerador para fines que no son para los que se diseñó, tampoco el mal uso, abuso, accidente, alteración, instalación incorrecta, mantenimiento, cargos de traslado, llamadas al servicio fuera de las horas de trabajo normales, recolección y entrega, cualquier pérdida de comida debido a la falla del producto, trabajo de reparación no autorizado o reparadores.

Este producto está completamente probado y pasó las inspecciones de control de calidad oficiales antes de dejar el sitio de fabricación original. Los términos de la garantía para este electrodoméstico Blomberg no son válidos si un distribuidor autorizado, reparador, vendedor de terceros, revendedor u otra persona autorizada altera, modifica o coloca piezas adicionales en el producto y vuelve a empacarlo.

EN LA MEDIDA PERMITIDA POR LA LEY, ESTA GARANTÍA SUSTITUYE TODAS LAS OTRAS GARANTÍAS EXPRESAS E IMPLÍCITAS INCLUIDAS LAS GARANTÍAS IMPLÍCITAS DE COMERCIABILIDAD Y APTITUD PARA UN FIN PARTICULAR. BLOMBERG NO ASUME NINGUNA RESPONSABILIDAD POR LA CALIDAD DE ESTE PRODUCTO EXCEPTO LO INDICADO EN ESTA DECLARACIÓN DE GARANTÍA. BLOMBERG NO SE HACE RESPONSABLE DE QUE EL PRODUCTO SE ADAPTE A ALGÚN FIN PARTICULAR PARA EL QUE USTED PUEDA COMPRAR ESTE PRODUCTO, EXCEPTO PARA LO INDICADO EN ESTA DECLARACIÓN DE GARANTÍA.

Blomberg no asume ninguna responsabilidad por los daños incidentales o resultantes. Esos daños incluyen, entre otros, pérdidas de ganancias, pérdidas de ahorros o ingresos, pérdidas del uso del refrigerador o cualquier otro equipo asociado, costos de capital, costos de cualquier equipo sustituto, instalaciones o servicios, tiempo de inactividad, reclamos de terceros y daños en la propiedad. Algunos estados no permiten la exclusión o limitación de los daños incidentales o resultantes, por lo tanto las anteriores limitaciones o exclusiones pueden no aplicarse en su caso.

(*) La fecha de instalación debe ser la fecha de compra o 5 días hábiles después de la entrega del producto al hogar, lo que ocurra después.

() Las piezas reemplazadas asumirán la identidad de las piezas originales + su garantía original.**

Ninguna otra garantía. Esta Declaración de la garantía es la garantía completa y exclusiva del fabricante. Ningún empleado de Blomberg o cualquier otra parte está autorizado a realizar declaraciones de la garantía además de las que aparecen en esta Declaración de la garantía.

Guarde esta tarjeta de la garantía, el manual del usuario y el recibo de la venta para referencia futura.

CÓMO OBTENER SERVICIO

Comuníquese con el Distribuidor de su estado o provincia que se indica en la Lista de contacto de distribuidores, o llame a nuestro número gratuito al 1 800 459 9848 para obtener la dirección de un Agente de servicio Blomberg autorizado.

Blomberg[®]

seit 1883

www.blomberginternational.com

info@blomberginternational.com

57 6495 0000/AD
EN-FR-ES