



IN HARMONY WITH NATURE,
YOUR LIFE, AND YOU.

Blomberg
seit 1883

24" Tall Tub, Top Control Dishwasher

DWT81900 SERIES

Color Options: DWT81900SS Stainless Steel DWT81900FBI Panel Ready P



PROGRAMS

- Pots and Pans+ (167°F)
- Auto Program (131–149°F)
- MixWash+ (131–149°F)
- Regular Wash (142–145°F)
- Daily Wash
- GlassCare
- Quick Wash (131°F)
- Sanitize Function
- SuperGloss Function
- RapidClean Function
- PowerWash Function with Extra Spray Arm
- Rinse & Hold

FEATURES

- Top Control
- 9 Cycles
- Silent Operation: 39 dBA
- Removable 3rd Rack
- Inner Illumination
- Self-cleaning Filter
- Auto Program
- Stainless
- Flexible Rack Loading
- Power Wash
- MixWash+

FINISH

Fingerprint-free Stainless Steel

DIMENSIONS (H x W x D)

33⁷/₈ x 23⁹/₁₆ x 22⁷/₁₆ in.



CONTROLS

| | |
|--------------|------------|
| Control Type | Electronic |
| Position | Top |

MAIN FEATURES

| | |
|---|--------------------------|
| Loading Capacity (Place Settings) | 16 |
| Tub Material | Stainless Steel |
| Interior Illumination | Top |
| DMFS Overflow Protection | Overflow Safety |
| 5 Level Wash with 3 rd Spray Arm | 3 |
| Delay Timer | 1/2 – 24 hours |
| Drying System | Closed Fan Drying System |
| Brushless DC™ Motor | Yes |
| Turbidity Sensor | Yes |
| Silent Operation | 39 dBA |
| All-in-1 Tablet Function | Yes |
| Half Load Function | Yes |
| Sanitize Function | Yes |
| SuperGloss Function | Yes |
| RapidClean Function | Yes |
| PowerWash Function with Extra Spray Arm | Yes |
| Self-cleaning Filter | Yes |
| Interior High Loop with Air Gap | Yes |

PROGRAMS

| | |
|----------------------------|-----|
| Number of Programs | 9 |
| Pots and Pans+ (167°F) | Yes |
| Auto Program (131 – 149°F) | Yes |
| MixWash+ (131 – 149°F) | Yes |
| Regular Wash (142 – 145°F) | Yes |
| Daily Wash | Yes |
| GlassCare | Yes |
| Quick Wash (131°F) | Yes |
| Rinse & Hold | Yes |

DISPLAY

| | |
|---------------------|------|
| Rinse Aid Indicator | Yes |
| LED Spot | Yes |
| Connectivity | WiFi |

RACK SYSTEM

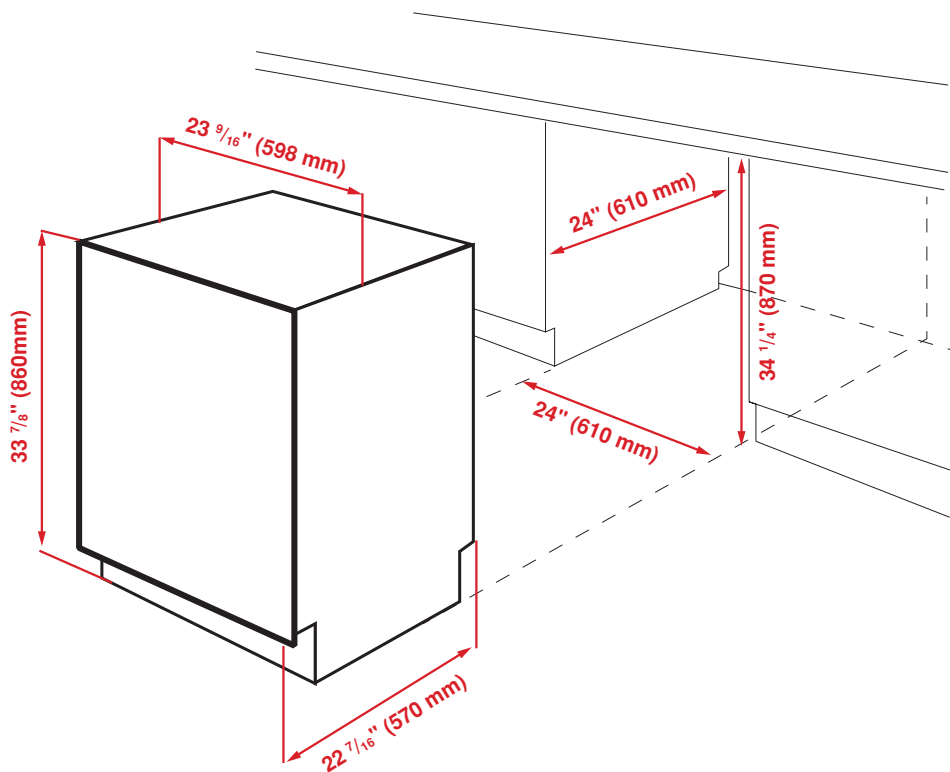
| | |
|--|-------------------------------------|
| SmartFold Lower Rack Folding Tines | 8 |
| Lower Rack Handle | Stainless Steel |
| Cutlery Basket | Sliding |
| Upper Rack (Inset Shelves) | 4 |
| SmartFold Upper Rack Folding Tines | 6 |
| FlexiRack Adjustable Upper Rack | 3 Positions, Adjustable When Loaded |
| FlexiDrawer Removable 3 rd Rack | Standard, Full-size |
| Lower Basket Wine Glass Holder | Yes |
| Detergent Dispenser Type | Sliding Lid (Vertical) |

DIMENSIONS (DWT81900SS)

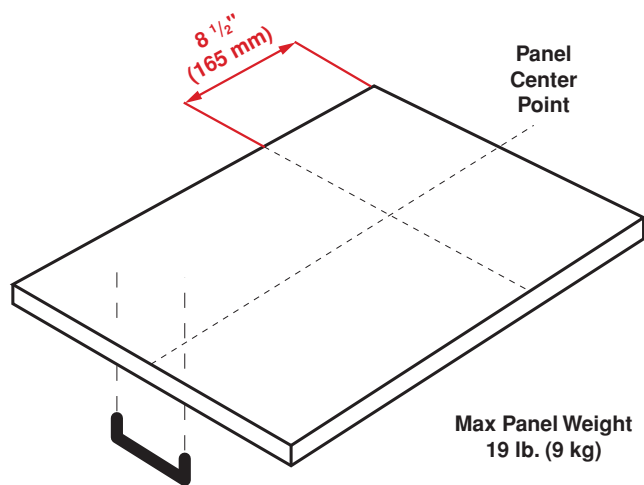
| | |
|------------------|--|
| H x W x D | 33 ⁷ / ₈ x 23 ⁹ / ₁₆ x 22 ⁷ / ₁₆ in. (86.1 x 59.8 x 57 cm) |
| Product Weight | 99.2 lb. (45 kg) |
| Packed H x W x D | 35 x 25 ⁵ / ₈ x 26 in. (88.9 x 64.4 x 66.1 cm) |
| Packed Weight | 105.82 lb. (48 kg) |

ENVIRONMENTAL STANDARDS

| | |
|------------------------|------------------------|
| ENERGY STAR® Qualified | Yes |
| Energy Consumption | 225 kWh / year |
| Water Consumption | 2.4 – 4.7 gal. / cycle |



Panel Ready Requirements:



| DIMENSIONS (DWT81900SS) | |
|-------------------------|--|
| H x W x D | 33 7/8 x 23 9/16 x 22 7/16 in. (86.1 x 59.8 x 57 cm) |
| Product Weight | 99.2 lb. (45 kg) |
| Packed H x W x D | 35 x 25 3/8 x 26 in. (88.9 x 64.4 x 66.1 cm) |
| Packed Weight | 105.82 lb. (48 kg) |

| DIMENSIONS (DWT81900FBI) | |
|--------------------------|---|
| H x W x D | 33 7/8 x 23 9/16 x 21 27/32 in. (86.1 x 59.8 x 55 cm) |
| Product Weight | 99.2 lb. (45 kg) |
| Packed H x W x D | 35 x 25 3/8 x 26 in. (88.9 x 64.4 x 66.1 cm) |
| Packed Weight | 105.82 lb. (48 kg) |

NOTE TO THE INSTALLER: All height, width, and depth dimensions are shown in inches (as well as metric). Beko US Inc. reserves the absolute and unrestricted right to change product materials and specifications, at any time, without notice. Please visit our website at www.BlombergAppliances.com or call 888.352.2356 to verify the latest specifications with final dimensional data and other details prior to installation and making a cutout. Applicable product limited warranty information may be found in accompanying product materials, or you may contact your account manager for further details. Proper installation is the responsibility of the installer. Product failure due to improper installation is not covered under the Limited Warranty.

IN HARMONY WITH NATURE, YOUR LIFE, AND YOU.