



IN HARMONY WITH NATURE,
YOUR LIFE, AND YOU

Blomberg
seit 1883

24" Single Electric Built-in Oven

BWOS24110 SERIES

Color Options: BWOS24110B Black  BWOS24110SS Stainless Steel 



FEATURES

- 2.5 cu.ft. Oven Capacity
- Multifunctional Oven with Convection Fan
- Timer with Touch Button Control
- Five Level Side Racks
- Two Standard Wire Racks
- Multi-cooking Function with True Euro Convection Fan
- Electronic Touch Control Timer with Digital Display

COOKING MODES

- Static
- Bottom Heat
- Top & Bottom Heat with Convection Air
- Operating with Fan
- Hot Air
- 3D Function, Broil
- Broil with Convection Fan

FINISH

- Knobs: Black Plastic
- Door: Full Glass

DIMENSIONS (H X W X D)

23⁵/₈ x 22³/₆₄ x 21²¹/₃₂ in.

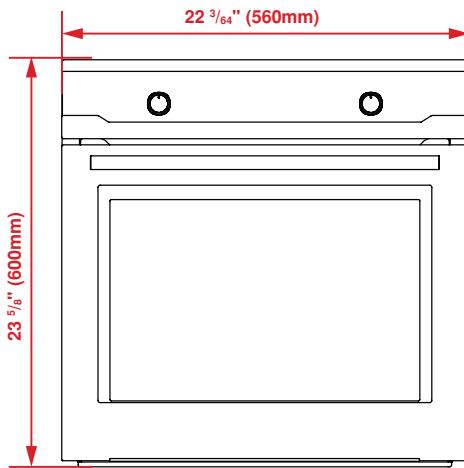
GENERAL	
Type	Built-In
Size	24"
Color	Stainless Steel
Oven Type / Upper Oven Type	Multifunction - True Euro Convection
Control Type	Electric Oven Functions with Knob Controls
FUNCTIONS	
Self Clean with Door Latch	N/A
True European Convection	Yes
Convection Broil	Yes
Convection Roast	N/A
Bake	Yes
Broil	Yes
Defrost	Yes
SPECIAL FEATURES	
Contemporary European Design	N/A
Programmable Electronic Timer	N/A
Self clean (Programmable) with Multi Level Selection	N/A
Easy-to-clean Enamel	Yes
Oven Capacity	2.5 cu. ft.
Wire Oven Racks	2
Sabbath Mode	N/A
OVEN DOORS	
Oven Glass Window	Yes
Door Cooling System	N/A
ACCESSORIES / OVEN CAVITY	
Cavity Enamel Color	Black
Rack Positions	5 Embossed
Oven Lights	1 x Round Light in Rear
Broil Upper Heating Element	N/A
Upper Auxiliary Element Wattage	N/A
Concealed Bake Lower Heating Element	N/A
Convection Element Wattage	N/A
Chromed Racks	2
DIMENSIONS	
Required Cutout Dim (H x W x D)	23 ⁵ / ₈ x 29 ³ / ₆₄ x 21 ²¹ / ₃₂ in.
Overall Height	23 ⁵ / ₈ in.
Overall Width	22 ³ / ₆₄ in.
Overall Depth	21 ²¹ / ₃₂ in.
Weight	80.68 lbs
POWER / RATINGS	
KW / Amps Rating at 240V, 60Hz	120-240V, 60Hz
Supply Cord	Yes

24" Single Electric Built-in Oven

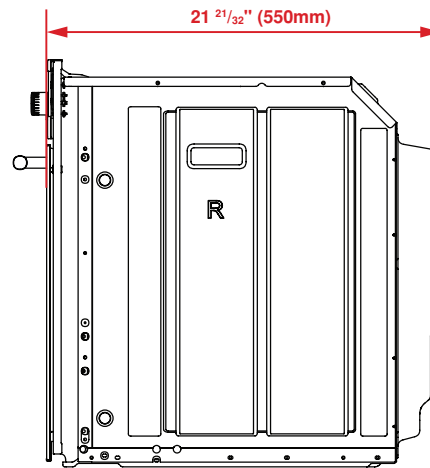
BWOS24110 SERIES

Color Options: BWOS24110B Black  BWOS24110SS Stainless Steel 

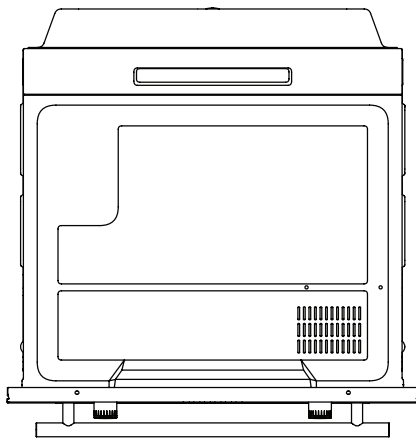
Front



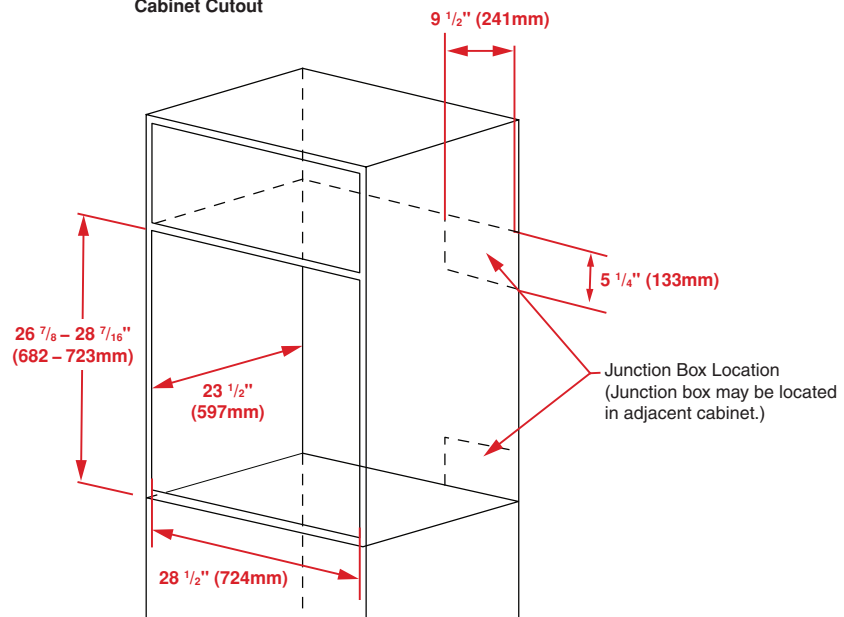
Side



Top



Cabinet Cutout



If installing in lower cabinet, leave 4" (102mm) min clearance below.

NOTE TO THE INSTALLER: All height, width and depth dimensions are shown in inches (as well as metric). Beko US Inc. reserves the absolute and unrestricted right to change product materials and specifications, at any time, without notice. Please visit our website www.beko.us or call 888 352 2356 to verify the latest specifications with final dimensional data and other details prior to installation and making a cutout. Applicable product limited warranty information may be found in accompanying product materials or you may contact your account manager for further details. Proper installation is the responsibility of the installer. Product failure due to improper installation is not covered under the Limited Warranty.

IN HARMONY WITH NATURE, YOUR LIFE, AND YOU

888.352.2356 | BlombergAppliances.com

© 2017 Beko US Inc. 11/21/17

Blomberg
seit 1883