



IN HARMONY WITH NATURE,  
YOUR LIFE, AND YOU.

**Blomberg**<sup>®</sup>

seit 1883

## 36" Counter Depth French Door Refrigerator

BRFD2230XSS



### KEY FEATURES

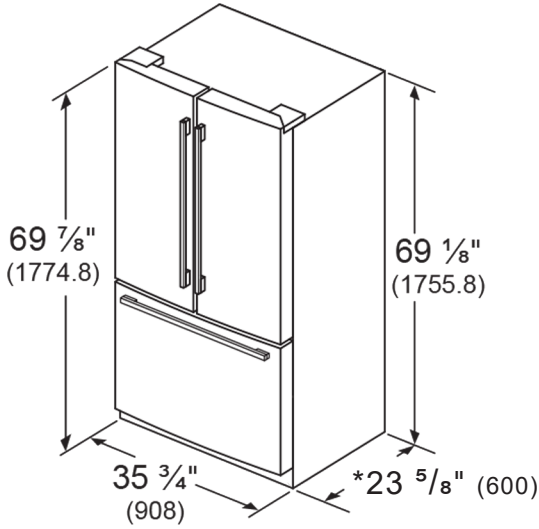
- Duo Cycle Frost Free Cooling
- Blue Light Technology
- IonFresh
- Inner Digital Display
- Large Pantry Drawer
- Interior Filtered Water Dispenser
- Interior Theater Lighting with LED Lights

| GENERAL                             |   |
|-------------------------------------|---|
| Cooling System                      | Duo Cycle Frost Free Cooling  |
| Control System                      | Electronic Control  |
| Type                                | Freestanding  |
| Finish                              | Stainless Steel   |
| CAPACITIES                          |   |
| Total Net Volume cu. ft.            | 19.86   |
| Fresh Food Net Volume cu. ft.       | 13.3  |
| Freezer Net Volume cu. ft.          | 6.56  |
| FRIDGE FEATURES                     |   |
| Blue Light technology               | Yes   |
| IonFresh                            | Yes   |
| Carbon Filter                       | Yes   |
| Interior Filtered Water Dispenser   | Yes   |
| Electronic Control Display Type     | LED Inner Display on Front Top Trim   |
| Auto Defrost                        | Yes   |
| Inner Illumination                  | LED- Side Walls   |
| Door Open Alarm                     | Yes   |
| Shelves                             | 4   |
| Crisper                             | 2   |
| Door Racks                          | 6   |
| Compressor                          | Variable Speed VCC  |
| Fan Ventilation                     | Yes   |
| Modes                               | Sabbath, Holiday, Quick Cool  |
| FREEZER FEATURES                    |   |
| Auto Defrost                        | Yes   |
| Number of Freezer Drawers           | 1   |
| Automatic Ice Maker                 | Yes   |
| TECHNICAL INFORMATION               |   |
| Supply Voltage, V/Hz                | 120V / 60 Hz  |
| Rated Current, A                    | 2.2 A   |
| Noise Level, dBA                    | 39 dBA  |
| PERFORMANCE                         |   |
| Climatic Class                      | T   |
| Annual Energy Consumption, kwh/year | 566   |
| Cooling Gas                         | R6600a  |
| DIMENSIONS                          |   |
| H x W x D in.                       | 69 <sup>7</sup> / <sub>8</sub> x 35 <sup>3</sup> / <sub>4</sub> x 27 <sup>9</sup> / <sub>16</sub> in. |
| H x W x D mm                        | 1774 x 908 x 700 mm   |
| Product Weight                      | 298 lbs. (135 kg)   |

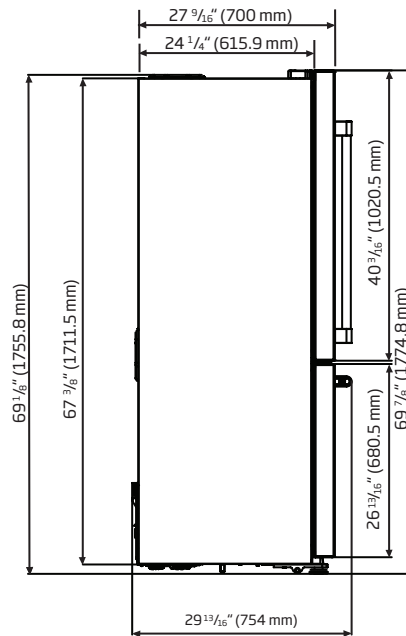
# 36" Counter Depth French Door Refrigerator

BRFD2230XSS

All measurements in inches (mm)

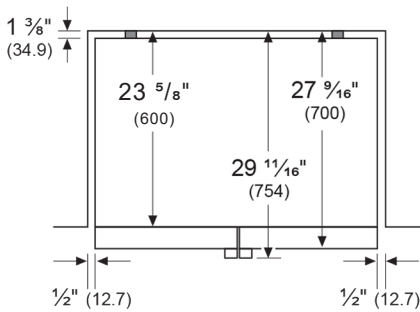


Side View

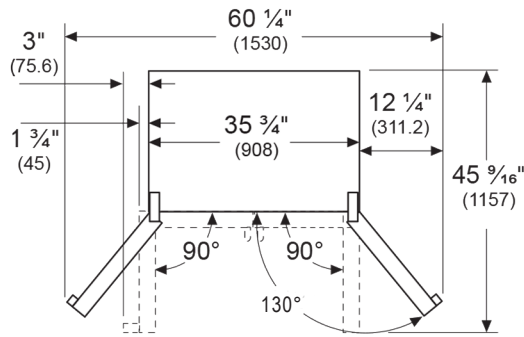


\* Add 1 3/4" (34.9) in the back measurements for proper ventilation

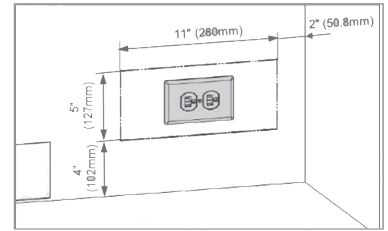
Top View



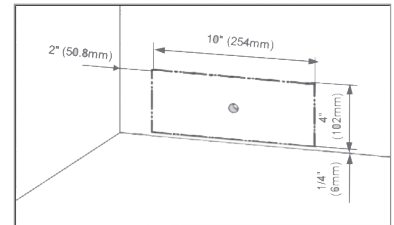
Top View



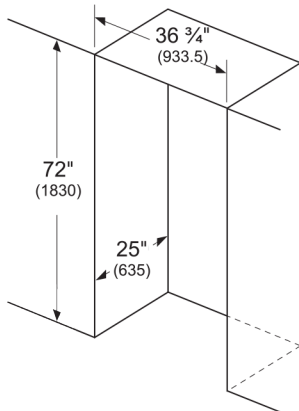
Electrical



Plumbing



measurements in inches (mm)



Drawers can be pulled out with door open to 90°. Drawers can be taken out with door completely opened.

Leave 2" (50.8) gap at the top and 1 3/8" (34.9) behind the refrigerator for proper ventilation.

It is recommended that you do not install the refrigerator near a heat source such as a stove or a range.

**Required Minimum Clearances:**

- Top: 2"
- Sides: 1/2" on each side
- Back: 1 3/8"

NOTE TO THE INSTALLER: All height, width, and depth dimensions are shown in inches (as well as metric). Beko U.S., Inc. reserves the absolute and unrestricted right to change product materials and specifications, at any time, without notice. Please visit our website at [www.BlombergAppliances.com](http://www.BlombergAppliances.com) or call 888.352.2356 to verify the latest specifications with final dimensional data and other details prior to installation and making a cutout. Applicable product limited warranty information may be found in accompanying product materials, or you may contact your account manager for further details. Proper installation is the responsibility of the installer. Product failure due to improper installation is not covered under the Limited Warranty.

IN HARMONY WITH NATURE, YOUR LIFE, AND YOU.