



30" Touch Control Electric Cooktop

CTE30410



FEATURES

- Electric with Front Touch Control
- Four Vitroceramic Cooking Zones
- Double Duo Zones
- Smooth Top for Easy Cleaning
- Programmable Touch Control System
- Slide Touch Control with Timer
- Residual Heat Indicator

FINISH

Frameless Black Glass

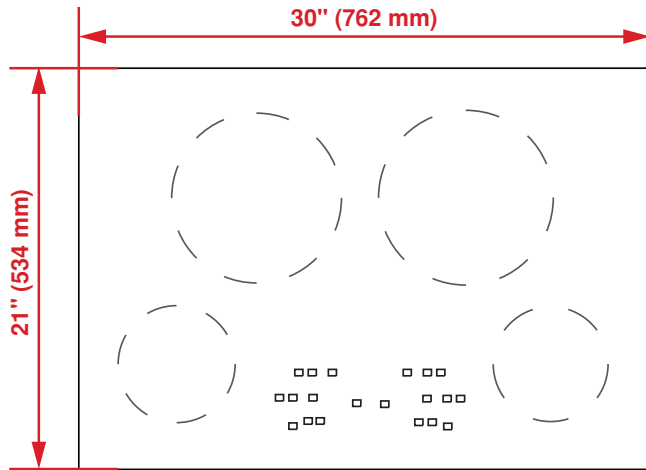
DIMENSIONS (H x W x D)

3 1/8 x 30 x 21 in.

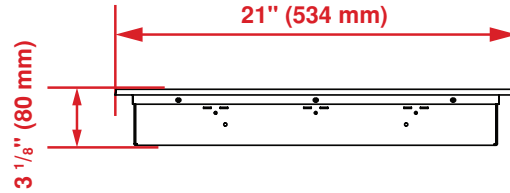


GENERAL	
Glass Type	Frameless Black Glass
Size	30"
Color	Black
Heating Technology	Electric (Vitroceramic)
Control Type	Front Touch Control
ELECTRIC BURNER FEATURES	
Smooth Top for Easy Cleaning	Yes
Programmable Touch Control System	Yes
Slide Touch Control with Timer	Yes
Residual Heat Indicator	Yes
Edge to Edge Frameless Design	Yes
STANDARD POWER	
Front Left	ø 5 3/4" — 1,200 W Hi-Light
Front Right	ø 5 3/4" — 1,200 W Hi-Light
Rear Left	ø 4 3/4" / 8 1/4" — 750 / 2,200 W Duo
Rear Right	ø 4 3/4" / 8 1/4" — 750 / 2,200 W Duo
DIMENSIONS	
Required Cutout Dimension (W x D)	28 11/16-15/16 x 19 1/4-5/8 in.
Overall Height	3 1/8 in.
Overall Width	30 in.
Overall Depth	21 in.
Weight	33 lbs.
POWER / RATINGS	
kW / Amps Rating at 240 V, 60 Hz	220-240 V, 60 Hz, 6 kW, 25 A
Total Watts	6,800 W
Amp Rating	220 V, 30.91 Amp / 240 V, 28.33 Amp
Supply Cord	Yes

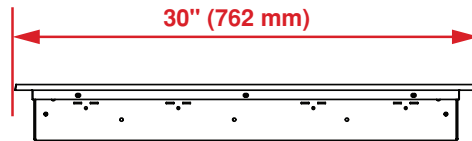
Top



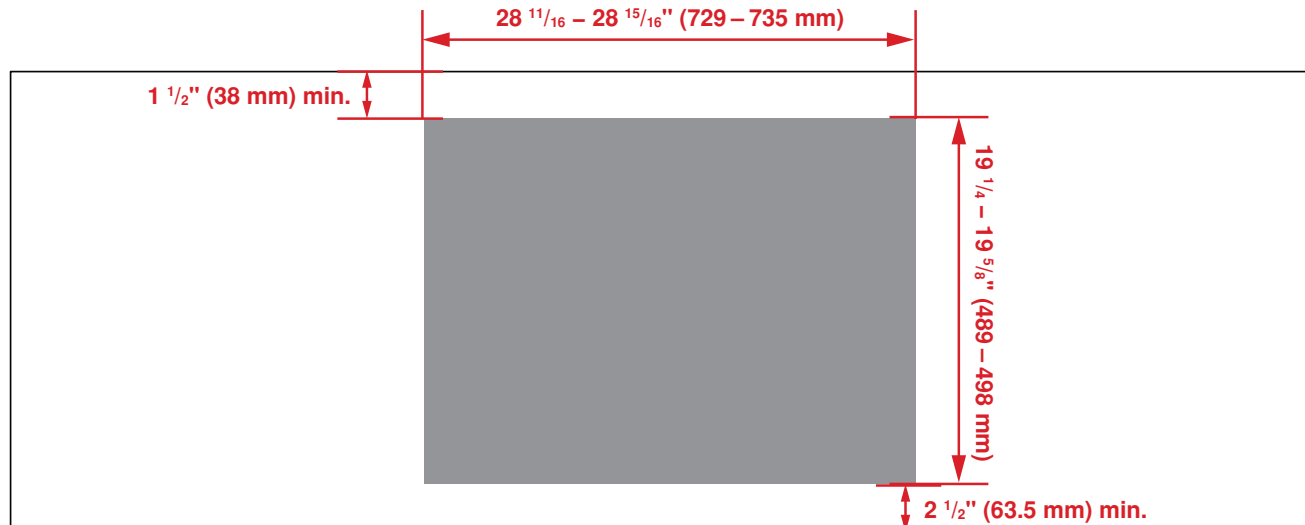
Side — Side View



Front — Side View



Countertop Cutout



NOTE TO THE INSTALLER: All height, width, and depth dimensions are shown in inches (as well as metric). Beko U.S., Inc. reserves the absolute and unrestricted right to change product materials and specifications, at any time, without notice. Please visit our website at www.BloombergAppliances.com or call 888.352.2356 to verify the latest specifications with final dimensional data and other details prior to installation and making a cutout. Applicable product limited warranty information may be found in accompanying product materials, or you may contact your account manager for further details. Proper installation is the responsibility of the installer. Product failure due to improper installation is not covered under the Limited Warranty.

IN HARMONY WITH NATURE, YOUR LIFE, AND YOU