



IN HARMONY WITH NATURE,
YOUR LIFE, AND YOU

Blomberg
seit 1883

30" Gas Cooktop

CTG30400SS



FEATURES

- Four Gas Burners
- Sealed Burner
- Reignition Controlled Burners
- Gas Safety Device
- Cast Iron Pan Supports
- Integrated Ignition
- Front Knob Control without Illumination
- Griddle (Optional Accessory)

FINISH

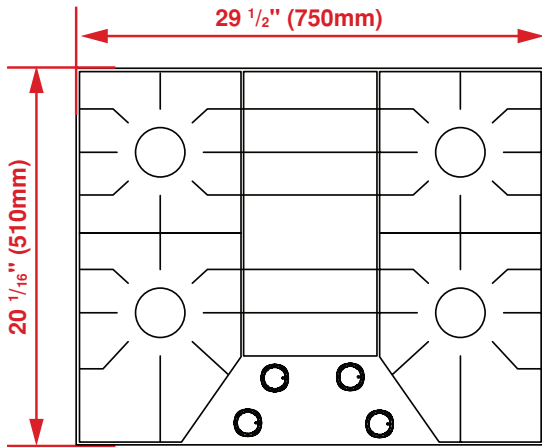
High Grade Stainless Steel

DIMENSIONS (H X W X D)

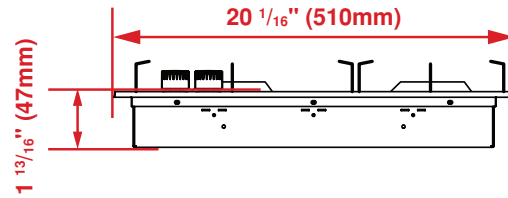
1¹³/₁₆ x 29¹/₂ x 20¹/₁₆ in.

GENERAL	
Glass Type	N/A
Size	30"
Color	Stainless Steel
Heating Technology	Gas
Stainless Steel Frame	Yes
Control Type	Front Knob Control
GAS BURNER FEATURES	
Sealed Burner	Yes
Reignition Controlled Burners	Yes
Gas Safety Device	Yes
19,000 BTU Power Burner with Simmering Feature	N/A
15,000 BTU Power Burner with Simmering	N/A
Cast Iron Continuous Grates	Yes
STANDARD POWER	
Front Left	5,000 BTU
Front Right	10,000 BTU
Rear Left	12,000 BTU
Rear Right	5,000 BTU
Center	N/A
DIMENSIONS	
Required Cutout Dimension (H x W x D)	1 ¹³ / ₁₆ x 29 ¹ / ₂ x 20 ¹ / ₁₆ in.
Overall Height	1 ¹³ / ₁₆ in.
Overall Width	29 ¹ / ₂ in.
Overall Depth	20 ¹ / ₁₆ in.
Weight	31.96 lbs
POWER / RATINGS	
KW / Amps Rating at 240 V, 60 Hz	110-120 V, 60 Hz
Supply Cord	Yes
Plug Type	N/A

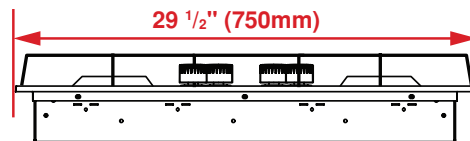
Top



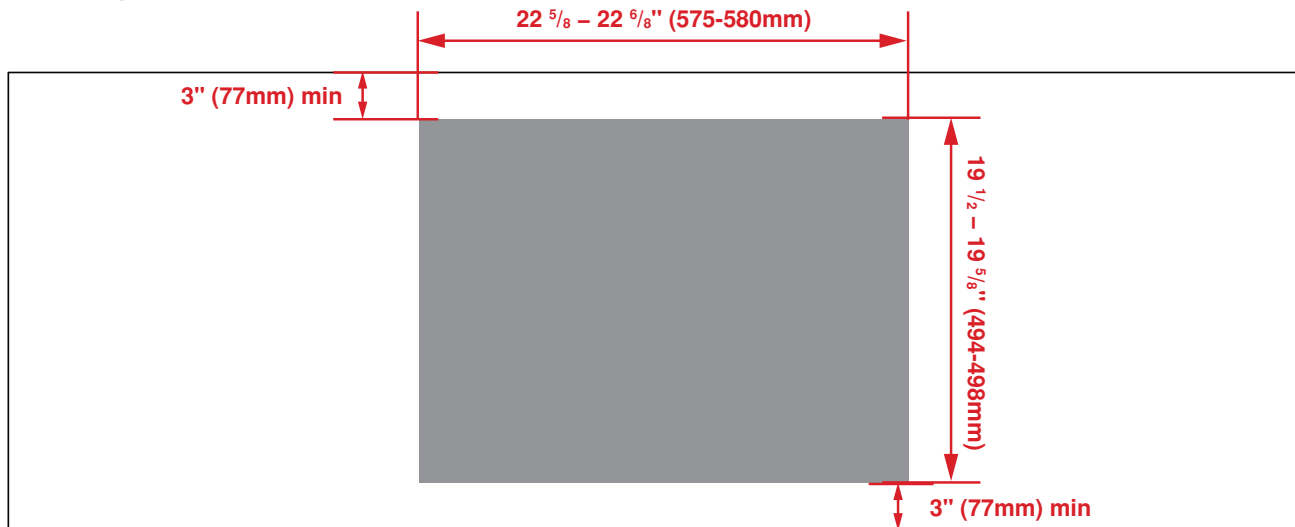
Side – Side View



Front – Side View



Countertop Cutout



NOTE TO THE INSTALLER: All height, width and depth dimensions are shown in inches (as well as metric). Beko US Inc. reserves the absolute and unrestricted right to change product materials and specifications, at any time, without notice. Please visit our website www.beko.us or call 888 352 2356 to verify the latest specifications with final dimensional data and other details prior to installation and making a cutout. Applicable product limited warranty information may be found in accompanying product materials or you may contact your account manager for further details. Proper installation is the responsibility of the installer. Product failure due to improper installation is not covered under the Limited Warranty.

IN HARMONY WITH NATURE, YOUR LIFE, AND YOU