

Blomberg®

seit 1883

Range Hood

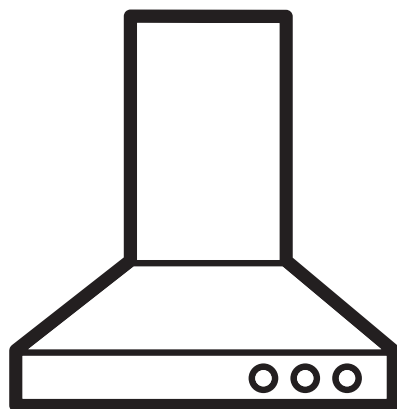
User manual

Campana

Manual del usuario

Hotte

Manuel d'utilisation



BCHP30100SS



Please read this manual first!

Dear Customers!

Thank you for preferring a Blomberg product. We hope that you get the best results from your product which has been manufactured with high quality and state-of-the-art technology. Therefore, please read this entire user manual and all other accompanying documents carefully before using the product and keep it as a reference for future use. If you handover the product to someone else, give the user manual as well. Follow all warnings and information in the user manual.

Remember that this user manual is also applicable for several other models. Differences between the models are explicitly described in the manual.

Meanings of the Symbols

Following symbols are used in the various section of this manual:



Important information and useful hints about usage.



WARNING: Warnings for dangerous situations concerning the safety of life and property.



Warning for electric shock.



Warning for hot surfaces.



This product has been manufactured in environmental friendly modern plants without giving any harm to the nature.



CONTENTS

1 Important safety and environmental instructions	4	5 Operating your appliance	17
1.1 General safety	4	5.1 Description of the hood & Controls	17
1.1.1 Electrical safety	4	5.1.1 Controls	17
1.1.2 Product safety	5	5.1.2 Description of control panel	17
1.1.3 Children's safety	6	6 Cleaning and maintenance	18
1.2 Intended use	6	6.1 Maintenance	18
1.3 Compliance with WEEE Directive and disposing of the waste product	7	6.2 Cleaning	18
Compliance with RoHS Directive	7	6.3 Grease Filter	18
1.4 Package information	7	6.3.1 Remove grease filters	18
		6.3.2 Install grease filters	18
		6.4 Replacing the light bulb	18
2 Electrical & Installation requirements	8	7 Warranty	20
2.1 Electrical requirements	8		
2.2 Before installing the hood	8		
3 Technical specifications of your appliance	9		
3.1 List of Materials	9		
3.1.1 Parts supplied	9		
3.1.2 Parts not supplied	9		
3.2 Dimensions and Clearances	10		
3.3 Ducting Options and Examples	10		
3.3.1 Venting methods	10		
3.4 Preparation	10		
4 Installing your appliance	12		
4.1 Installation - Ducting version	12		
4.2 Install hood onto wall	12		
4.2.1 Install Transition Onto Top of Hood	12		
4.2.2 Hang hood on wood support	13		
4.2.3 Install bottom mounting screws	13		
4.3 Install hood ceiling or beneath cabinets	13		
4.3.1 Install Transition Onto Top of Hood	14		
4.3.2 Mount hood onto ceiling or cabinet	14		
4.3.3 Connecting the ductwork	15		
4.3.4 Electrical connection	15		
4.3.5 Install Motor	15		

Important safety and environmental instructions

This section contains safety instructions that will help protect from risk of personal injury or property damage. Failure to follow these instructions invalidates the granted warranty.

1.1 General safety

- Always have the installation and repairing procedures carried out by the Authorized Service Agent. Manufacturing firm shall not be held responsible for damages that may be caused by unauthorized persons.
- This appliance is not intended for use by persons (including children) with reduced physical, sensory or mental capabilities, or lack of experience and knowledge. Children should be supervised to ensure that they do not play with the appliance.

1.1.1 Electrical safety

- Always unplug the appliance from the mains supply during installation, maintenance, cleaning and repair operations.

- If the power cable is faulty, it should be replaced by a qualified person certified by the manufacturer, after-sales service or similar (preferably an electrician) or a person described by the importer.
- Operating voltage is 220 to 240 volts.
- If the appliance has a failure, it should not be operated unless it is repaired by the Authorized Service Agent. There is the risk of electric shock!
- Do not route power cable close to hobs. Otherwise power cable may cause fire since it melts down easily.
- Never plug the hood before installation is completed.
- In order to obtain the best performance, external conductor must not be longer than 4 m. It must not contain more than 2 perpendicular (90°) angles and its diameter must be min. $\varnothing 120$ mm.
- Disconnect the appliance from mains before any intervention to the internal parts of the appliance.
- Use the appliance with a grounded outlet only.

1.1.2 Product safety

- You can use a pipe with a diameter of 120 mm or 150 mm on the flue connection of the hood.
- Do not make connections to the flues connected with stoves, exhaust shafts or flues with rising flames. Observe the rules set by authorities on the discharge of exhaust air.
- The height between the lower surface of the hood and upper surface of the stove/oven should not be less than 50 cm for gas hobs and 45 cm for electric hobs.
- Do not operate the hood without aluminum filters and do not remove the filters while it is operated.
- Never touch the hood's lamps after they are operated for a long time. Hot lamps may burn your hand.
- Avoid large flames beneath the product. Otherwise, particles on oil filter may ignite and lead to a fire.
- Turn on the hobs after placing pans or pots on it. Otherwise, rising heat may deform certain parts of your product.
- Turn off the hobs before taking away pans or pots.
- Avoid inflammable materials under the hood.
- Oil may ignite while frying foods. Therefore, be careful about cloths and curtains.
- Never leave the cooker unattended when frying foods; otherwise hot oil may cause fire.
- There is the risk of fire if your hood is not cleaned in the specified periods.
- Be extremely careful and wear gloves when cleaning the hood.
- We advise you to operate the appliance a few minutes before starting to cook in order to increase the suction power. Thus, you shall have a continuous and stable suction power when the vapors arise.
- Operate your hood for 15 minutes more after the end of cooking or frying in order to remove the smell and cooking vapor in the kitchen.
- When the hood is in use, especially together with gas cookers, make sure that environment is ventilated with clean air.

1

Important safety and environmental instructions

- Pay attention not to connect the appliance to the flues used by non-electrical devices. (E.g.: Heater flue).
- Simultaneous and smooth operation of the hood and another device that require air is only possible when a low pressure of 4 Pa (0.04 mbar) is reached, and thus the reabsorption of the gas is avoided. This can only be achieved by means of air coming from uncovered openings (door, window, ventilation openings or other technical measures). Pay utmost attention to provide sufficient air flow. A flue that provides air ingress/egress is not enough for this purpose.
- This appliance can be used by the children who are at the age of 8 or over and by the people who have limited physical, sensory or mental capacity or who do not have knowledge and experience, as long as they are supervised with regard to safe use of the product or they are instructed accordingly and understand the risks of using the product. Children should not play with the appliance.
- **CAUTION:** Accessible parts may heat up when used with a cooking device.

1.1.3 Children's safety

- Packaging materials are dangerous to children. Keep packaging materials in a safe place out of reach of children.
- Electrical appliances are dangerous to children. Keep children away from the product. Do not allow children play with the appliance.
- This appliance is intended for domestic use. It is not suitable for commercial use and it must not be used out of its intended use.
- The manufacturer shall not be liable for any damage caused by improper use or handling.
- Service life of your appliance is 10 years. This is the period required for availability of spare parts for proper functioning of the product.

1.2 Intended use

1

Important safety and environmental instructions

- **WARNING:** Failure to fix the screws in concordance with the instructions provided in the manual may lead to electrical hazards.

1.3 Compliance with WEEE Directive and disposing of the waste product



This product complies with EU WEEE Directive (2012/19/EU). This product bears a classification symbol for waste electrical and electronic equipment (WEEE).

This product has been manufactured with high quality parts and materials which can be reused and are suitable for recycling. Do not dispose of the waste product with normal domestic and other wastes at the end of its service life. Take it to the collection center for the recycling of electrical and electronic equipment. Please consult your local authorities to learn about these collection centers.

Compliance with RoHS Directive:

The product you have purchased complies with EU RoHS Directive (2011/65/EU). It does not contain harmful and prohibited materials specified in the Directive.

1.4 Package information



Package of the product is made of recyclable materials in accordance with our National Legislation. Do not dispose of the packaging materials together with the domestic or other wastes. Take them to the packaging material collection points designated by the local authorities.

2.1 Electrical requirements



Observe all governing codes and ordinances.

It is the customer's responsibility:

To contact a qualified electrical installer. To assure that the electrical installation is adequate and in conformance with National Electrical Code, ANSI/NFPA 70 – latest edition*, or CSA Standards C22.1-94, Canadian Electrical Code, Part 1 and C22.2 No.0-M91 - latest edition** and all local codes and ordinances.

- If codes permit and a separate ground wire is used, it is recommended that a qualified electrician determine that the ground path is adequate.
- Do not ground to a gas pipe.
- Check with a qualified electrician if you are not sure range hood is properly grounded.
- Do not have a fuse in the neutral or ground circuit.



Save Installation Instructions for electrical inspector's use.



The range hood must be connected with copper wire only.



The range hood should be connected directly to the fused disconnect (Or circuit breaker) box through metal electrical conduit.

Wire sizes must conform to the requirements of the National Electrical Code ANSI/NFPA 70 – latest edition*, or CSA Standards C22.1-94, Canadian Electrical Code Part 1 and C22.2 No. 0-M91 - latest edition** and all local codes and ordinances.

A U.L.- or C.S.A.-listed conduit connector must be provided at each end of the power supply conduit (at the range hood and at the junction box).

Copies of the standards listed may be obtained from:

* National Fire Protection Association
BatteryMarch Park Quincy, Massachusetts 02269

** CSA International 8501 East Pleasant Valley
Road Cleveland, Ohio 44131-5575

2.2 Before installing the hood

1. For the most efficient air flow exhaust, use a straight run or as few elbows as possible.



WARNING: Vent unit to outside of building, only.

2. At least two people are necessary for installation.
3. Fittings material is provided to secure the hood to most types of walls/ceilings, consult a Qualified Installer, check if they perfectly fit with your cabinet/wall.
4. Do not use flex ducting.
5. COLD WEATHER installations should have an additional backdraft damper installed to minimize backward cold airflow and a nonmetallic thermal break to minimize conduction of outside temperatures as part of the ductwork. The damper should be on the cold air side of the thermal break. The break should be as close as possible to where the ducting enters the heated portion of the house.
6. Make up air: Local building codes may require the use of Make-Up Air Systems when using Ducted Ventilation Systems greater than specified CFM of air movement. The specified CFM varies from locale to locale. Consult your HVAC professional for specific requirements in your area.

Removing the packaging



Remove carton carefully, Wear gloves to protect against sharp edges.



WARNING: Remove the protective film covering the product before putting into operation.

3 Technical specifications of your appliance

3.1 List of Materials

3.1.1 Parts supplied

Removing the packaging



Remove carton carefully, Wear gloves to protect against sharp edges.



WARNING: Remove the protective film covering the product before putting into operation.

- Hood canopy.
- Blower.
- Duct transition.
- Lamp already installed.
- Grease filter.
- Hardware bag with:
 - Use, care and installation guide
 - 2 hollow wall anchors with screws to secure hood to the wall at the bottom
 - 4 Wood screws to secure the wood support to the wall
 - 4 Phillips head screws to secure the transition to the hood outlet on the top
 - 6 Phillips head screws to secure hood to the wood support (2 secured to wood support)
 - 1 Safety screw and lock washer to secure the blower (screw is marked with red or blue paint)
 - 2 Flat washers for wall anchors
- Measuring tape
- Pliers
- Gloves
- Knife
- Safety glasses
- Electric drill with 5/16" and 3/8" Bits
- Strain relief
- Spirit level
- Duct tape
- Screwdrivers:
 - Phillips (Posidrive) # 2
 - Torx # 2
- Wire cutter/stripper
- Masking tape
- Hammer
- Saw, jig saw or reciprocating saw

3.1.2 Parts not supplied

Optional Accessories

- Duct Cover
- Heat Lamps kit (2 IR 175W)
- Backsplash kit

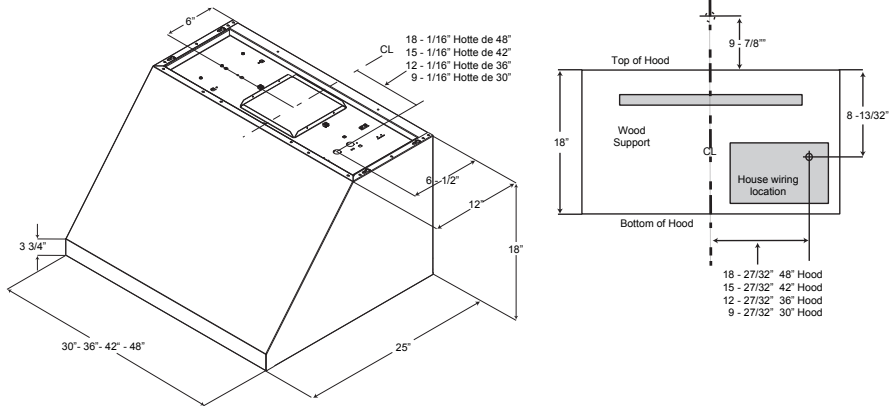
Tools/Materials required

- Wire nuts
- Tape to mount template
- 8" rounded metal duct length to suit installation

	BCHP30100SS
Operating mode	ducted out only
Max. Ventilation Capacity	515 CFM
Nr.of Speeds	4
Controls	Mechanical Knobs
Lights	2 x 50 W Halogene
Filtering	2 x Baffle Filters
Volts	120 V
Frequency	60 Hz
Total Power (motor + lamps)	550 W
Plug type	Hard Wire
Required distance above cooktop	30" (gas cooktop)
	30" (electrical cooktop)

3 Technical specifications of your appliance

3.2 Dimensions and Clearances



3.3 Ducting Options and Examples

Closely follow the instructions set out in this manual.

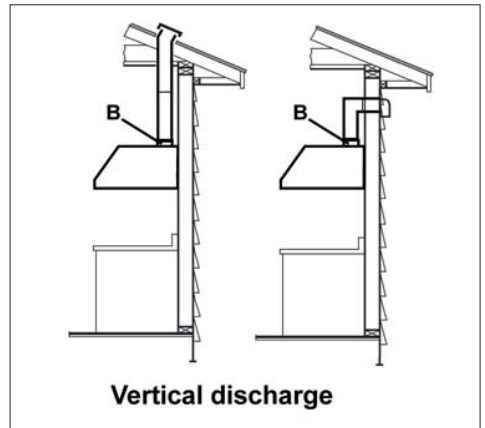
All responsibility, for any eventual inconveniences, damages or fires caused by not complying with the instructions in this manual, is declined.

3.3.1 Venting methods

Vent Exhaust Option

The hood is equipped with a transition B for discharge of fumes to the outside (Ducting version).

Minimum Duct Size (Ducting/Ductless version):
10" Round Pipe.



3.4 Preparation

Do not cut a joist or stud unless absolutely necessary. If a joist or stud must be cut, then a supporting frame must be constructed.

Fittings material is provided to secure the hood to most types of walls/ceilings.

However, a qualified technician must verify suitability of the materials in accordance with the type of wall/ceiling.

3 Technical specifications of your appliance

Before making cutouts, make sure there is proper clearance within the ceiling or wall for exhaust vent.

Hood installation height above cooktop is the users preference. The lower the hood is above the cooktop, the more efficient the capturing of cooking odors, grease and smoke.



WARNING: For gas ranges installation: mount this hood so that the bottom edge is at 30" (76,2 cm) above the cooking surface.

For electric ranges installation: mount this hood so that the bottom is not less than 30" (76,2 cm) and not more that 36" above the cooking surface.

Household use. Please, read installation manual for specific application.

Check your ceiling height and the hood height maximum before you select your hood.

4 Installing your appliance

4.1 Installation - Ducting version

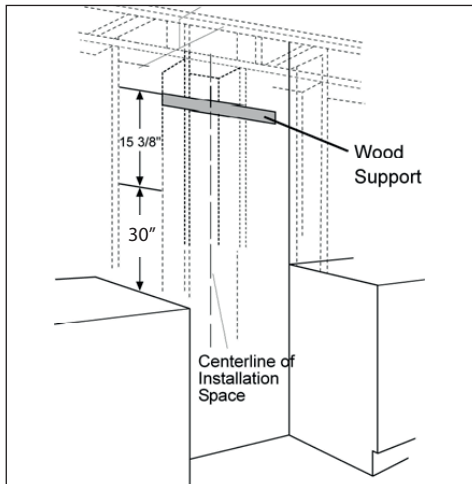
- If possible, disconnect and move freestanding or slide-in range from cabinet opening to provide easier access to rear wall. Otherwise put a thick, protective covering over countertop, cooktop or range to protect from damage and debris. Select a flat surface for assembling the unit. Cover that surface with a protective covering and place all canopy hood parts and hardware in it.
- Determine and mark the centerline on the wall where the canopy hood will be installed.
- Select a mounting height comfortable for the user and mark on wall.
- Tape template, matching center-line and hood bottom.

4.2 Install hood onto wall



IMPORTANT: Framing must be capable of supporting up to 150 lbs.

- Locate at least 2 vertical studs at the wood support.
- Center the supplied wood support, left to right and below the 15 3/8" marked line.



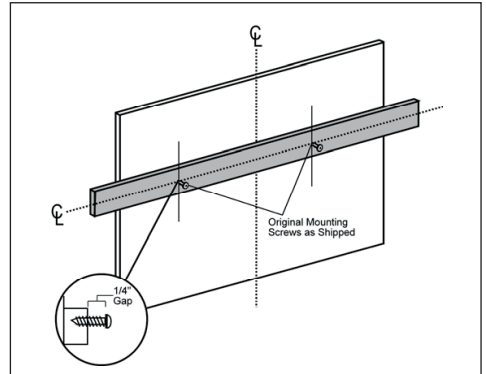
- Secure the wood support to 2 or more vertical studs, using at least 2 of the 4 supplied long screws.



IMPORTANT: Screws must penetrate at least 1 1/2" into vertical studs. Countersink screws into support.



The mounting screws must remain in their original shipping location. These screws are positioned to engage the keyhole slots in the back of the hood.



- Adjust depth of original mounting screws in the wood support until they protrude 1/4" forward. This 1/4" gap will provide clearance to hang the hood.

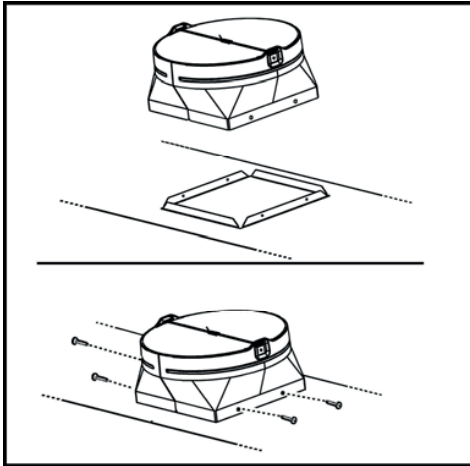
4.2.1 Install Transition Onto Top of Hood



IMPORTANT: Remove shipping tape from damper and check that damper moves freely.

- Place the transition piece over the hood exhaust and secure with 4 screws provided.
- Use duct tape to seal the connection. Check to be sure the damper moves freely.

4 Installing your appliance



4.2.2 Hang hood on wood support

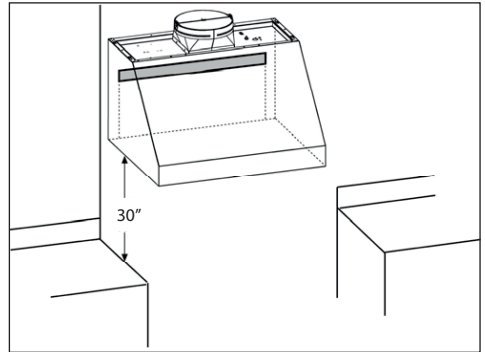
- Lift the hood and hold close to the installation location. Route house wiring through the knockout and into the junction box.
 - Place the hood over the wood support. Be sure the mounting screws engage the keyhole slots in the back of the hood.
- Tighten the screws.



WARNING: Continue to provide additional support while the hood is mounted with only these 2 screws.

These screws will not support the weight of the hood. The hood could fall resulting in damage or personal injury.

- Check to be sure the hood is level and centered.



4.2.3 Install bottom mounting screws

- Drill 1/8" pilot holes into the two lower mounting holes. Enlarge the holes if they did not enter studs to 3/8". Insert anchors for wall fasteners into bottom holes. Remove anchor screws and add flat washers provided. Drive screws into anchors and tighten.
- Install 4 additional screws through the back of the hood and into the wood support.

4.3 Install hood ceiling or beneath cabinets

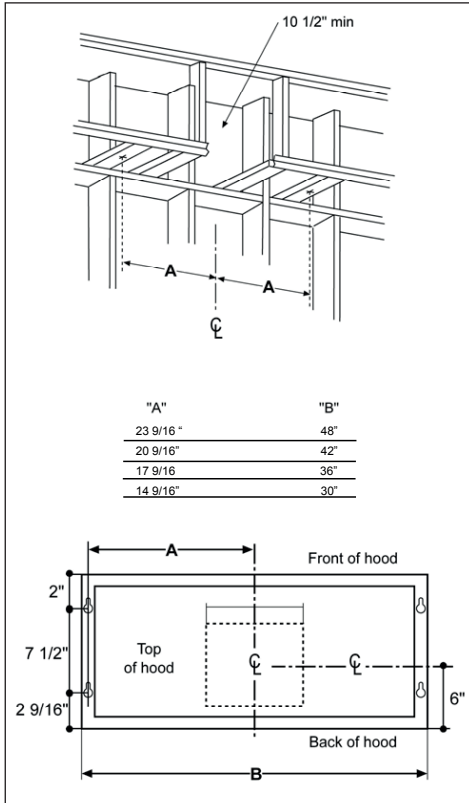
(Skip this step if using wall mounting method)



IMPORTANT: Ceiling framing must be capable of supporting up to 150 lbs.

- The ceiling should be constructed with 2x4's.
- Determine the installation location on the wall.
- Continue the centerline forward on the bottom of the cabinet or ceiling.
- The opening above the hood should allow for the 10" round duct and clearance to slide the hood back against the wall.
- The 2x4 studs must be located as shown in the chart, Dim. A to accept mounting screw.
- Drill 1/8" pilot holes into the studs at the locations show in the illustration.

4 Installing your appliance

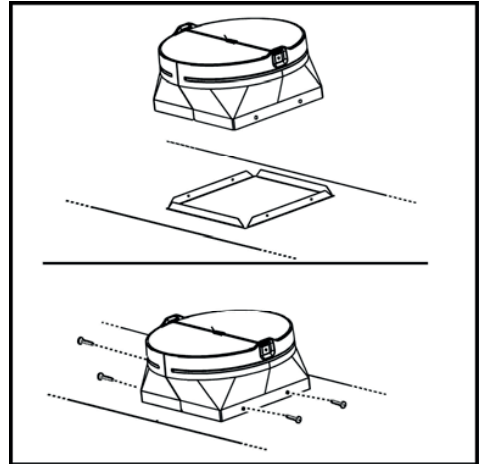


4.3.1 Install Transition Onto Top of Hood



IMPORTANT: Remove shipping tape from damper and check that damper moves freely.

- Place the transition piece over the hood exhaust and secure with 4 screws provided.
- Use duct tape to seal the connection. Check to be sure the damper moves freely.



4.3.2 Mount hood onto ceiling or cabinet



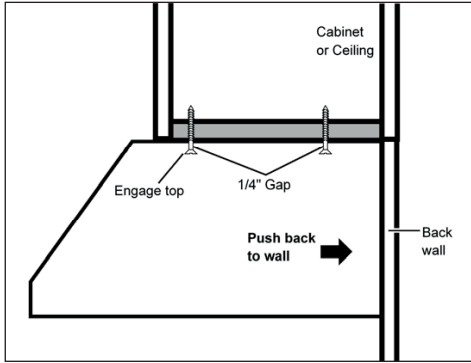
If mounting to the underside of a cabinet with a recessed bottom, install shims to fill the gap.

- Drive mounting screws into the studs until they protrude 1/4". The 1/4" gap will provide clearance to engage the keyhole slots in the top of the hood.
- Lift hood to installation position. Locate house wiring and route trough the knockout (from the back or top of the hood).
- Lift hood onto mounting screws. Slide back against the rear wall.
- Tighten mounting screws.



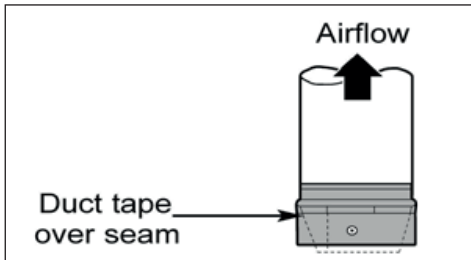
IMPORTANT: For additional support and to minimize vibration during operation, the hood must be secured to the back wall. Use wall anchors to fasten bottom back of hood to the wall.

4 Installing your appliance



4.3.3 Connecting the ductwork

- Install ductwork, making connections in the direction of airflow as illustrated.
- Push duct over the exhaust outlet.
- Wrap all duct joints and the flange connections with duct tape for an airtight seal.
- Make the same connection in the wall or ceiling vent exit.



4.3.4 Electrical connection

Electrical Shock Hazard



Turn off power circuit at the service panel before wiring this unit. 120 VAC, 15 or 20 Amp circuit required.

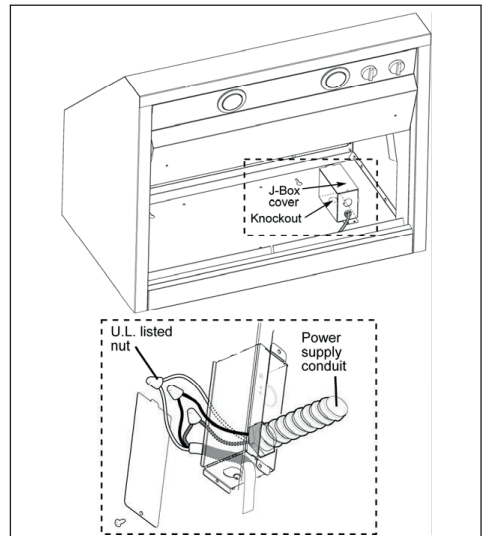
Electrical grounding instructions

This appliance is fitted with an electrical junction box with 3 wires, one of which (green/yellow) serves to ground the appliance.

To protect you against electric shock, the green and yellow wire must be connected to the grounding wire in your home electrical system, and it must under no circumstances be cut or removed.

Failure to do so can result in death or electrical shock.

Remove the knockout and the Junction box cover and install the conduit connector (cULus listed) in junction box.



4.3.5 Install Motor

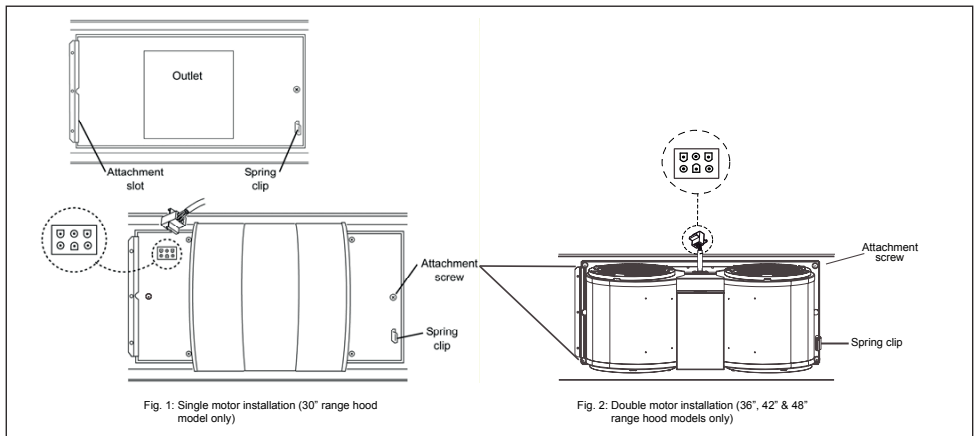
- From the inside of the hood, slip motor into the attachment slot on the left.
- Rotate motor upwards until it snaps into the spring clip on the right.
- Secure the motor to the hood with the machine screw and lock washer. (Screw is marked with red or blue paint).



IMPORTANT: Connector ends are designed to mate only one way. Match flat and round connectors as shown.

4 Installing your appliance

- Plug connector into the motor.



Install the grease filter and turn power on at service panel.

Check operation of the hood.

If range hood does not operate:

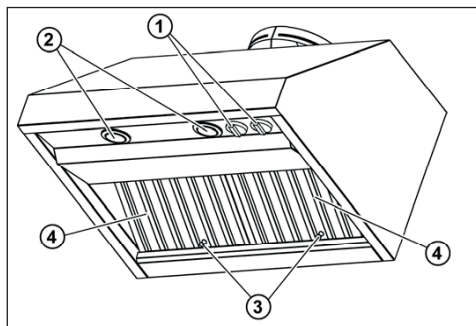
- Check that the circuit breaker is not tripped or the house fuse blown.
- Disconnect power supply. Check that wiring is correct.

To get the most efficient use from your new range hood, read the "Use and Care Information" section.

Keep your Installation Instructions and Use and Care Guide close to range hood for easy reference.

5 Operating your appliance

5.1 Description of the hood & Controls

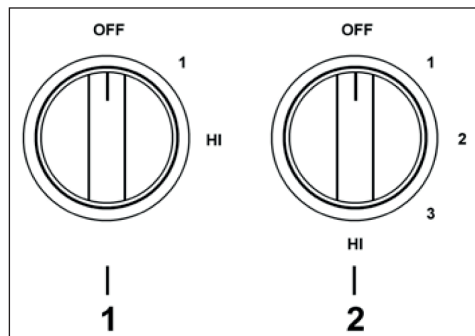


1. Blower and light controls
2. Lamp housings
3. Grease filter Handle
4. Grease filter

5.1.1 Controls

Use the high suction speed in cases of concentrated kitchen vapours. It is recommended that the cooker hood suction is switched on for 5 minutes prior to cooking and to leave in operation during cooking and for another 15 minutes approximately after terminating cooking.

5.1.2 Description of control panel



1. Light Control
 - Turn the light control from OFF to HI for the brightest light while cooking.
2. Fan Control
 - Turn the fan control speed from OFF to HI as needed.

6 Cleaning and maintenance

6.1 Maintenance



Before performing any maintenance operation, isolate the hood from the electrical supply by switching off at the connector and removing the connector fuse.

Or if the appliance has been connected through a plug and socket, then the plug must be removed from the socket.

6.2 Cleaning

- The cooker hood should be cleaned regularly (at least with the same frequency with which you carry out maintenance of the fat filters) internally and externally. Clean using the cloth dampened with neutral liquid detergent. Do not use abrasive products. **DO NOT USE ALCOHOL!**



WARNING: Failure to carry out the basic cleaning recommendations of the cooker hood and replacement of the filters may cause fire risks.

- Therefore, we recommend observing these instructions.
- The manufacturer declines all responsibility for any damage to the motor or any fire damage linked to inappropriate maintenance or failure to observe the above safety recommendations.

6.3 Grease Filter

Traps cooking grease particles.

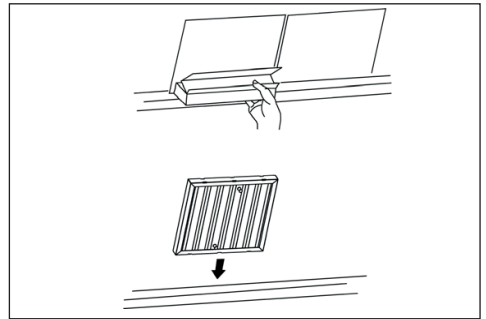
This must be cleaned once a month using non aggressive detergents, either by hand or in the dishwasher, which must be set to a low temperature and a short cycle. When washed in a dishwasher, the grease filter may discolour slightly, but this does not affect its filtering capacity.

6.3.1 Remove grease filters

- To remove the filters, grasp the handle, push the filter up and lift out.

6.3.2 Install grease filters

- Place filter drip trays into the rear of the hood.
- Insert the grease filter into opening and drop into the trays.



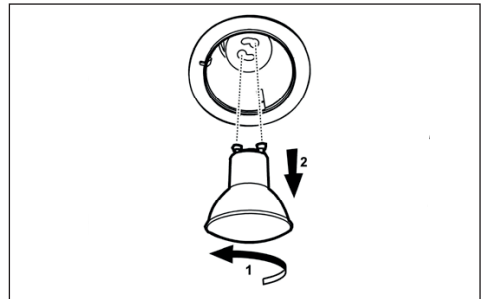
6.4 Replacing the light bulb



Before replacing the lamps, switch power off at service panel and lock service panel disconnecting means to prevent power from being switched on accidentally.



Turn off the lights and fan. Allow the lights to cool before handling. If new lights do not operate be sure lights are inserted correctly before calling service.



6 Cleaning and maintenance

Replace Lights

- Remove the damaged light (twist counter clockwise) and replace with a new 120 Volt, 50 Watt (maximum) 50° halogen light made for a GU10 base, suitable for use in open luminaire.

Warranty Statement For Blomberg Range Hoods

Cooking Appliances

The warranties provided by Blomberg in these statements only apply to Blomberg cooking appliances(wall ovens / cooktops) sold to the original purchaser or homeowner

in the US and Canada. The warranty is not transferable. To obtain warranty service, please contact our nearest distributor as listed by state. You will need your cooking appliances(wall ovens / cooktops) model number, serial number, retailer name and address, where purchased and purchase date / installation date. This warranty gives you specific legal rights, and you may also have other rights which vary from state to state.

1 year * limited warranty from date of first installation Blomberg will repair or replace at no cost to the consumer any defective parts of the cooking appliances(wall ovens / cooktops) if used under normal household conditions (warranty is void if the product is used commercially). Service must also be performed by an authorized Blomberg service agency **otherwise the warranty is void.** (Cosmetic defects must be reported within 10 business days from installation)

2 year * ++ limited warranty from date of first installation (Parts only) Blomberg will repair or replace any parts at no cost to the consumer if material defects or workmanship have caused the damage or failure of these components. Again the appliance must have been used under normal household conditions and not commercially as stated above (Labor charges are the responsibility of the consumer)

Disclaimers of warranties and exclusions: Warranty does not cover service costs by an authorized service agent to correct installation, electrical problems or educational instruction on the use of the cooking appliances(wall ovens / cooktops). The warranty also does not cover defects or damage caused by an act of god (such as storms, floods, fires, mudslides, etc.), damage cause by use of the cooking appliances(wall ovens / cooktops) for purposes other than those for which it was designed, misuse, abuse, accident, alteration, improper installation, maintenance, travel fees, service calls outside normal service hours, unauthorized service work or work.

This product is fully tested and went through official quality assurance inspections before leaving the original manufacturing site. Warranty terms for this Blomberg household appliance is not valid if the product is altered, tampered, modified, additional parts assembled, fixed and re-packed by an authorized distributor, servicer, a third party retailer, reseller or by any other unauthorized person(s).

TO THE EXTENT PERMITTED BY LAW, THIS WARRANTY IS IN LIEU OF ALL OTHER EXPRESSED AND IMPLIED WARRANTIES, INCLUDING THE IMPLIED WARRANTIES OF MERCHANTABILITY AND FITNESS FOR A PARTICULAR PURPOSE. BLOMBERG UNDERTAKES NO RESPONSIBILITY FOR THE QUALITY OF THIS PRODUCT EXCEPT AS OTHERWISE PROVIDED IN THIS WARRANTY STATEMENT. BLOMBERG ASSUMES NO RESPONSIBILITY THAT THE PRODUCT WILL BE FIT FOR ANY PARTICULAR PURPOSE FOR WHICH YOU MAY BE BUYING THIS PRODUCT, EXCEPT AS OTHERWISE PROVIDED IN THIS WARRANTY STATEMENT.

Blomberg does not assume any responsibility for incidental or consequential damages. Such damages include, but are not limited to, loss of profits, loss of savings or revenue, loss of use of the washer or any associated equipment, cost of capital, cost of any substitute equipment, facilities or services, downtime, the claims of third parties, and injury to property. Some states do not allow the exclusion or limitation of incidental or consequential damages, so the above limitations or exclusion may not apply to you.

* installation date shall refer to either purchase date or 5 business days after delivery of the product to the home, whichever is later.
++Parts replaced will assume the identity of the original parts + their original warranty.

No Other Warranties. This Warranty Statement is the complete and exclusive warranty from the manufacturer. No employee of Blomberg or any other party is authorized to make any warranty statements in addition to those made in this Warranty Statement. Please keep this warranty card, user manual and your sales slip for future reference.

HOW TO GET SERVICE

Please contact the Distributor for your State or Province as listed on the Distributor Contact List, or call our Toll Free Number at 1 800 459 9848 for direction to an Authorized Blomberg Service Agent. 02 01.

Lea el manual del usuario antes de utilizar el aparato

Estimado cliente:

Gracias por elegir un producto Blomberg. Esperamos que obtenga los mejores resultados de nuestro producto ya que ha sido fabricado con gran calidad y con tecnología de última generación. Por tanto, le aconsejamos que lea con atención este manual del usuario y todos los demás documentos adjuntos antes de utilizar el producto; guárdelo para futuras consultas. Si va a entregar este producto a otra persona, proporciónale el manual del usuario también. Siga todas las advertencias e instrucciones incluidas en este manual.

Recuerde que este manual del usuario también es válido para otros modelos. Las diferencias entre los modelos se señalan dentro del manual.

Explicación de los símbolos

En este manual se utilizan los siguientes símbolos:



Información importante o consejos útiles sobre el uso.



Advertencia para situaciones de riesgo con respecto a la vida y la propiedad.



Advertencia sobre posibles descargas eléctricas.



Advertencia para las superficies calientes.



Este producto se ha fabricado utilizando la última tecnología y en condiciones de fabricación respetuosas con el medio ambiente.



1 Instrucciones importantes para la seguridad y el medio ambiente 23

1.1 Seguridad general	23
1.1.1 Seguridad eléctrica	23
1.1.2 Seguridad del producto	24
1.1.3 Seguridad de los niños	25
1.2 Uso previsto	26
1.3 Conformidad con la Directiva RAEE y la eliminación de los desechos del producto	26
Cumple con la Directiva RoHS:	26
1.4 Información de embalaje	26

2 Requisitos eléctricos y de instalación 27

2.1 Requisitos eléctricos	27
2.2 Antes de instalar la campana	27

3 Especificaciones técnicas de su aparato 29

3.1 Lista de materiales	29
3.1.1 Piezas suministradas	29
3.1.2 Piezas no suministradas	29
3.2 Dimensiones y Espacios libres	30
3.3 Tipos de ductos y ejemplos	31
3.3.1 Métodos de ventilación	31
3.4 Preparación	31

4 Instalación de su aparato 32

4.1 Instalación - Versión con tubos	32
4.2 Instalar la campana extractora en la pared	32
4.2.1 Instalar la Transición	33
4.2.2 Colgar la campana en el soporte de madera	33
4.2.3 Instalación de los tornillos de montaje inferiores	33
4.3 Instalar la campana extractora en el techo debajo del mueble	34
4.3.1 Instalar la Transición	34

4.3.2 Montar la campana extractora en el techo o mueble	35
4.3.3 Conectar el conducto	35
4.3.4 Conexión eléctrica	36
4.3.5 Instalar el motor	36

5 Funcionamiento de su aparato 38

5.1 Descripción de la campana y los controles	38
5.1.1 Controles	38
5.1.2 Descripción del panel de control	38

6 Limpieza y mantenimiento 39

6.1 Mantenimiento	39
6.3 Filtro contra la grasa	39
6.3.1 Quitar los filtros antigrasa	39
6.3.2 Instalación filtros antigrasa	39
6.4 Sustitución de la bombilla	39

7 Garantía 41

Esta sección contiene instrucciones de seguridad que ayudarán a la protección contra los riesgos de lesiones personales o daño a la propiedad. El incumplimiento de estas instrucciones causará la pérdida de la garantía.

1.1 Seguridad general

- Los procedimientos de instalación y reparación deben ser siempre llevados a cabo por el servicio técnico autorizado. El fabricante no se responsabilizará por daños resultantes de procedimientos llevados a cabo por personas no autorizadas.
- Este aparato no ha sido diseñado para que lo usen niños o adultos con sus facultades físicas, sensoriales o mentales reducidas, o bien que carezcan de la experiencia y conocimientos necesarios. Vigile a los niños para asegurarse de que no jueguen con este electrodoméstico.

1.1.1 Seguridad eléctrica

- Desconecte el producto de la corriente durante los procedimientos de instalación, mantenimiento, limpieza y reparación.

- En caso de que el cable de alimentación esté defectuoso, deberá ser sustituido por el fabricante, su servicio técnico o una persona cualificada (preferentemente un electricista) o alguien designado por el importador.
- El voltaje de funcionamiento es de entre 220 y 240 voltios.
- Si el aparato presenta un fallo, no debe ponerse en funcionamiento salvo que sea reparado por el servicio técnico autorizado. ¡Existe riesgo de descargas eléctricas!
- No hacer pasar el cable de electricidad cerca de las placas. En caso contrario, el cable de electricidad puede causar un incendio, ya que se derrite fácilmente.
- Nunca enchufe la campana extractora antes de que se haya completado la instalación.
- Para obtener el máximo rendimiento, el conductor externo no debe superar los 4 metros de longitud. No debe contener más de 2 ángulos perpendiculares (90°) y su diámetro debe ser de como mín. $\varnothing 120$ mm.
- Desconecte el aparato antes de cualquier intervención en las partes internas del mismo.

- Use el aparato únicamente con un enchufe con toma a tierra.

1.1.2 Seguridad del producto

- Se puede utilizar un tubo de 120 mm o 150 mm de diámetro para la conexión de la chimenea de la campana extractora.
- No realice las conexiones con las chimeneas conectadas a los fogones, conductos de ventilación o chimeneas con llamas. Siga las reglas establecidas por las autoridades sobre la descarga de los escapes de aire.

La altura entre la superficie inferior de la campana extractora y la superficie superior de la cocina/horno no debe ser inferior a 50 cm para placas a gas y a 45 cm para placas eléctricas.

- No poner en funcionamiento la campana extractora sin filtros de aluminio y no quitar los filtros mientras esta se encuentre en funcionamiento.
- Nunca toque las lámparas de la campana extractora después de que haya estado en funcionamiento por un tiempo prolongado.

Las lámparas calientes pueden quemar su mano.

- Evite que haya llamas de grandes dimensiones debajo del aparato. En caso contrario, las partículas en el filtro de aceite pueden prenderse fuego y generar un incendio.
- Encienda las placas después de haber colocado encima las sartenes u ollas. De lo contrario, la temperatura elevada puede deformar algunas partes de su producto.
- Apague las placas después de haber retirado las sartenes u ollas.
- Evite colocar materiales inflamables debajo de la campana extractora.
- El aceite puede prenderse fuego mientras se están realizando frituras. Por lo tanto, tenga cuidado con los trapos y cortinas.
- Nunca desatenga la olla cuando fría alimentos; de lo contrario el aceite caliente podría causar un incendio.
- Existe riesgo de incendio si su campana extractora no se limpia en los períodos especificados.
- Sea extremadamente cuidadoso y utilice guantes cuando limpie la campana extractora.

- Le recomendamos que ponga en funcionamiento el aparato algunos minutos antes de comenzar a cocinar para incrementar la potencia de aspiración. Así, tendrá una potencia de aspiración continua y estable cuando salgan los vapores.
- Haga funcionar su campana extractora durante 15 minutos más después de terminar de cocinar o freír para eliminar los olores y el vapor de cocción de la cocina.
- Cuando la campana se encuentra en uso, especialmente junto con cocinas a gas, asegúrese de que el ambiente esté ventilado con aire limpio.
- Preste atención a no conectar el aparato a las chimeneas utilizadas por dispositivos no eléctricos. (Ej.: Chimeneas de los sistemas de calefacción).
- El funcionamiento simultáneo y preciso de la campana y otro dispositivo que necesite aire es únicamente posible cuando se alcance una presión baja de 4 Pa (0,04 mbar). Así se evita la reabsorción del gas.

Esto sólo se puede conseguir mediante el aire procedente de las aperturas no cubiertas (puerta, ventana, orificios de ventilación u otras medidas técnicas). Ponga especial atención para proporcionar un flujo de aire suficiente. Una chimenea que posibilite la entrada/salida de aire no es suficiente para este propósito.

1.1.3 Seguridad de los niños

- Los materiales de embalaje son peligrosos para los niños. Mantenga los materiales de embalaje en un lugar seguro, fuera del alcance de los niños.
- Los aparatos eléctricos son peligrosos para los niños. Mantenga a los niños lejos de este producto. No deje que los niños jueguen con el aparato.
- Los niños de ocho o más años y las personas con las capacidades físicas, sensoriales o mentales limitadas o que no tengan los conocimientos y la experiencia necesarios pueden usar este aparato siempre y cuando lo hagan bajo supervisión o bien comprendan las instrucciones de uso seguro del aparato y sus riesgos potenciales.

Instrucciones importantes para la seguridad y el medio ambiente

No deje que los niños jueguen con el aparato.

- **PRECAUCIÓN:** Las partes accesibles pueden calentarse cuando se usen con un aparato de cocción.

1.2 Uso previsto

- Este aparato se ha diseñado para uso doméstico. No es adecuado para uso comercial y no debe utilizarse fuera de su uso previsto.
- El fabricante no será responsable por ningún daño ocasionado por su utilización o manipulación inadecuada.
- La vida útil del aparato es de 10 años. Este es el período necesario para que haya disponibilidad de repuestos para el funcionamiento correcto del producto.
- **ADVERTENCIA:** No arreglar los tornillos según las instrucciones indicadas en el manual puede causar riesgos eléctricos.

1.3 Conformidad con la Directiva RAEE y la eliminación de los desechos del producto



Este producto cumple con la Directiva RAEE de la UE (2012/19/UE). Este producto lleva un símbolo de clasificación para residuos de aparatos eléctricos y electrónicos (RAEE).

En la fabricación de este producto se han empleado piezas y materiales de alta calidad, que pueden reutilizarse y reciclarse. Por lo tanto, no arroje este aparato a la basura junto con residuos domésticos normales al final de su vida útil. Llévelo a un punto de recogida para el reciclado de componentes eléctricos y electrónicos. Por favor, consulte a las autoridades locales para conocer estos puntos de recogida.

Cumple con la Directiva RoHS:

El producto que ha adquirido cumple con la directiva RoHS de la UE (2011/65/UE). No contiene materiales peligrosos ni prohibidos especificados en la Directiva.

1.4 Información de embalaje



El embalaje del producto está fabricado con material reciclable de acuerdo con las normativas nacionales sobre medio ambiente. No se deshaga del material de embalaje ni de los desechos domésticos o de otro tipo. Llévelos a los puntos de recogida de material de embalaje designados por las autoridades locales.

2 Requisitos eléctricos y de instalación

2.1 Requisitos eléctricos



Cumpla todas las normativas y ordenanzas gubernamentales.

Es responsabilidad del cliente:

Ponerse en contacto con un instalador eléctrico cualificado. Asegurarse de que la instalación eléctrica es adecuada y en conformidad con National Electrical Code, ANSI/NFPA 70 (última edición*) o CSA Standards C22.1-94, Canadian Electrical Code, Parte 1 y C22.2 No.0-M91 (última edición*) y toda la normativa y las ordenanzas locales.

- Si la normativa lo permite y se utiliza un cable de toma a tierra independiente, se recomienda que un electricista cualificado determine si la difracción de onda de tierra es la adecuada.
- No ubique la toma a tierra en una tubería de gas.
- Si no está seguro de que la campana está correctamente conectada a tierra, consulte a un electricista cualificado.
- No coloque ningún fusible en el circuito neutral o con vuelta por tierra.



Guarde las instrucciones de instalación para su uso por parte del inspector de electricidad.



La campana debe estar conectada únicamente con hilo de cobre.



La campana debe estar conectada directamente al desconectador con fusible (O disyuntor) mediante canal metálico de cables eléctricos.

National Electrical Code, ANSI/NFPA 70 (última edición*) o CSA Standards C22.1-94, Canadian Electrical Code, Parte 1 y C22.2 No.0-M91 (última edición*) y toda la normativa y las ordenanzas locales.

Es preciso colocar un conector de canal de cables enumerado en U.L. o C.S.A. en cada extremo del canal de cables de fuente de alimentación (En la campana y en la caja de conexiones).

Se pueden obtener copias de los estándares enumerados en:

* National Fire Protection Association
Batterymarch Park Quincy, Massachusetts 02269

** CSA International 8501 East Pleasant Valley
Road Cleveland, Ohio 44131-5575

2.2 Antes de instalar la campana

1. Para obtener una circulación del flujo de aire más eficaz, utilice un tubo de tramo recto o el menor número posible de tubos acodados.



El conducto de ventilación solamente debe tener salida hacia la parte exterior del edificio.

2. Para realizar la instalación, se necesitan al menos dos personas.
3. La campana se ajusta mediante tornillos y anclajes de tabique aislante adecuados para la mayoría de superficies; consulte a un instalador cualificado para comprobar si quedan perfectamente ajustados al armario o a la pared.
4. No emplee tubos flexibles.
5. Las instalaciones en CONDICIONES CLIMÁTICAS FRÍAS deben tener instalado un regulador de contratiro adicional para minimizar el flujo de aire inverso y una rotura térmica no metálica para minimizar la conducción de temperaturas externas como parte de los tubos. El regulador debe encontrarse en la parte de aire frío de la rotura térmica. La rotura debe estar lo más cerca posible al lugar donde los tubos entran en la parte caliente de la casa.
6. Aire limpio: Las normativas locales para edificios pueden requerir el uso de sistemas de aire limpio cuando se utilizan sistemas de ventilación mediante tubos superiores al CFM especificado de movimiento de aire.

2 Requisitos eléctricos y de instalación

El CFM especificado varía de una zona a otra. Para conocer los requisitos específicos de su zona, consulte a un profesional de HVAC.

Remoción de la confección



Quite la caja cuidadosamente, use guantes para protegerse contra los bordes afilados.



Quite la película de protección que cubre el producto antes de ponerlo en funcionamiento.

3 Especificaciones técnicas de su aparato

3.1 Lista de materiales

3.1.1 Piezas suministradas

Remoción de la confección



Quite la caja cuidadosamente, use guantes para protegerse contra los bordes afilados.



Quite la película de protección que cubre el producto antes de ponerlo en funcionamiento.

- Campana extractora.
- Soplador.
- Transición del conducto.
- Lámpara ya instalada.
- Filtro antigrasa.
- El producto incluye:
 - Manual de utilizo, cuidado e instalación
 - 2 anclajes de pared con tornillos para asegurar la campana extractora en la pared en el fondo
 - 4 tornillos para madera para asegurar el soporte de madera en la pared
 - 4 tornillos de cabeza Phillips para asegurar la transición al enchufe de la campana extractora arriba
 - 6 tornillos de cabeza Phillips para asegurar la campana extractora al soporte de madera (2 asegurados al soporte de madera)
 - 1 tornillo de seguridad y tuerca con pasador para asegurar el soplador (el tornillo está marcado con color rojo o azul)
 - 2 arandelas planas para anclajes de pared

3.1.2 Piezas no suministradas

Accesorios opcionales

- Cubierta del conducto
- Kit lámparas de calefacción (2 IR 175W)
- Kit placa posterior

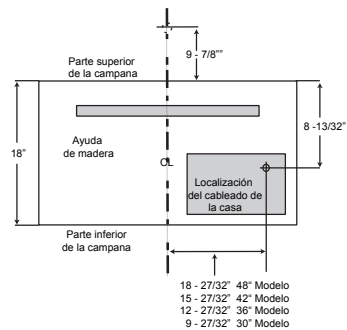
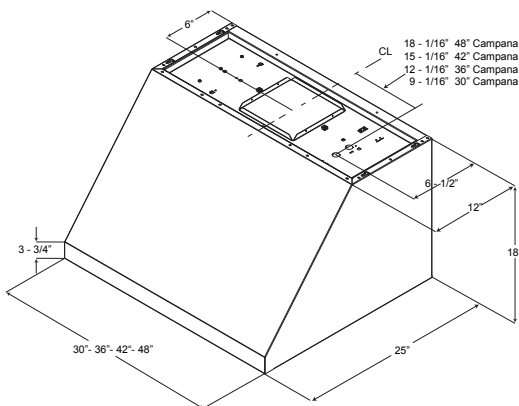
Herramientas/Materiales necesarias

- Tapones de cable
- Cinta para montar la plantilla
- Conducto redondo de 8".
- La longitud debe ser de acuerdo a la instalación
- Cinta Métrica
- Cutter
- Pinzas para cortar y pelar cable
- Nivel
- Alicates
- Cinta de aislar
- Lentes de seguridad
- Masking tape
- Martillo
- Destornilladores:
 - Phillips (Posidrive) # 2 Torx # 2
- Tapones para cable
- Taladro con brocas: 5/16" y 3/8"
- Guantes de protección
- Retén de cable
- Caladora o Taladro

3 Especificaciones técnicas de su aparato

	BCHP30100SS
Funcionamiento	con conducto solamente
Máx. Capacidad de ventilación	515 CFM
Nº de Velocidades	4
Controles	Mandos mecánicos
Luces	Halógeno de 50 W 2 Ud.
Filtro	Filtros 2 Ud.
Voltios	120 V
Frecuencia:	60 Hz
Potencia total (motor + lámparas)	550 W
Tipo de enchufe	Cable duro
Distancia necesaria encima del anafe	30" (anafe a gas)
	30" (anafe eléctrico)

3.2 Dimensiones y Espacios libres



3 Especificaciones técnicas de su aparato

3.3 Tipos de ductos y ejemplos

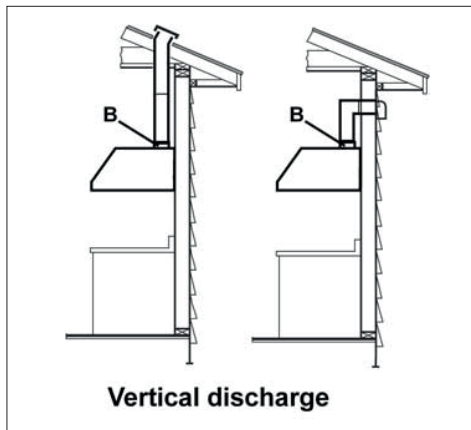
Siga detenidamente las instrucciones expuestas en este manual.

Se declina toda responsabilidad de cualquier inconveniencia, daños o incendios eventuales ocasionados por el incumplimiento de las instrucciones de este manual.

3.3.1 Métodos de ventilación

La campana está equipada con un cambio de sección B para la descarga de gases al exterior (Versión con tubos).

Tamaño mínimo de tubo (Versión con o sin tubos): Tubería redonda de 10".



3.4 Preparación

No corte una vigueta o un perno a menos que sea absolutamente necesario. Si fuera necesario efectuar el corte, deberá construirse un marco de soporte.

Se suministra el material de ajuste necesario para fijar la campana a la mayoría de tipos de muro o techo.

No obstante, un técnico cualificado debe comprobar la idoneidad de los materiales de acuerdo con el tipo de muro o techo.

Antes de efectuar ningún corte, asegúrese de existe espacio libre adecuado en el techo o muro para la expulsión del aire.

La altura de instalación sobre la superficie de cocción es a preferencia del usuario. Cuando más cerca este la campana de la superficie de cocción, más eficaz resultara la captura de olores, grasa y humo.



Para la instalación sobre estufas de gas: instale esta campana de tal manera que la cornisa inferior se encuentre a 30" (76,2 cm) sobre la superficie de cocción.

Para la instalación sobre estufas eléctricas: instale esta campana de tal manera que la cornisa inferior se encuentre a no menos de 30" (76,2 cm) y no más de 36" sobre la superficie de cocción.

Para uso electrodoméstico. Por favor, lea el manual de instalación para una instalación específica.

Antes de seleccionar la campana, compruebe la altura del techo y la altura máxima de la campana.

4 Instalación de su aparato

4.1 Instalación - Versión con tubos

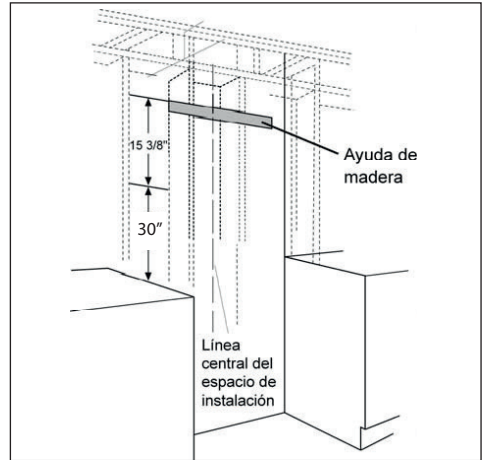
- Si es posible, desconecte y deslice la estufa fuera de la apertura de instalación del gabinete de la cocina para permitir un acceso fácil al muro posterior. De lo contrario, coloque una cubierta protectora gruesa sobre la cubierta o la estufa para protegerla de daños o suciedad. Seleccione una superficie plana para montar la unidad. Coloque una cubierta protectora sobre la superficie y coloque en ella todas las piezas de la carcasa de la campana, tornillos y elementos metálicos.
- Determine y marque la línea central en el muro donde se instalará la carcasa de la campana.
- Seleccione una altura de montaje confortable para el usuario y realice una marca en el muro situado detrás de la cocina.
- Coloque la plantilla de manera que coincida con la línea central y la parte inferior de la campana.

4.2 Instalar la campana extractora en la pared



IMPORTANTE: La armadura debe ser capaz de cargar hasta 150 lbs.

- Localice por lo menos 2 pasaderos verticales en el soporte de madera.
- Centre el soporte de madera proveído de izquierda a derecha y por debajo de la línea marcada de 15 3/8".



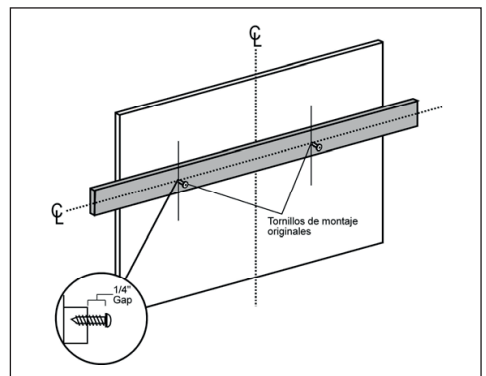
- Asegure el soporte de madera hacia 2 o mueva los pernos verticales, usando por lo menos 2 de los 4 tornillos largos proveídos.



IMPORTANTE: Los tornillos deben penetrar por lo menos 1 1/2" en las varillas. Tornillos avellanados en el soporte.



Los tornillos de montaje deben quedar en su posición original de transporte. Estos tornillos están colocados de manera tal que puedan engranar en los agujeros en la parte posterior de la campana extractora.



4 Instalación de su aparato

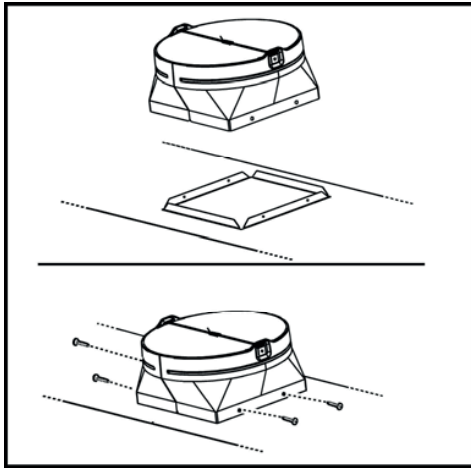
- Ajuste la profundidad de los tornillos de montaje originales en el soporte de Madera hasta que no sobresalgan de 1/4" hacia adelante. Este espacio de 1/4", es el espacio ideal para colgar la campana extractora.
- Coloque la campana extractora sobre el soporte de madera. Asegúrese que los tornillos de montaje coinciden con las ranuras de la parte posterior de la campana extractora. Apriete los tornillos.

4.2.1 Instalar la Transición



IMPORTANTE: Quite la cinta de embalaje y controle que el amortiguador se mueva sin problemas.

- Coloque la pieza de transición por encima de la campana extractora y asegure con 4 tornillos proveídos.
- Use duct tape para sellar la conexión. Asegúrese que el amortiguador se mueva sin problemas.



4.2.2 Colgar la campana en el soporte de madera

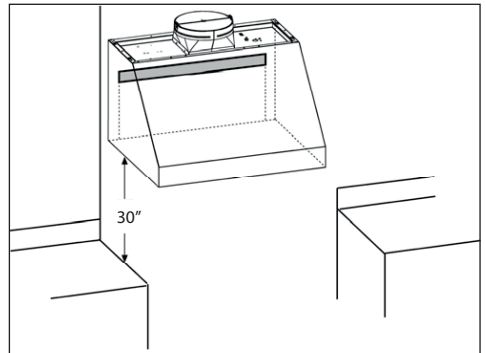
- Levante la campana extractora y sosténgala cerca del lugar de la instalación. Encamine el cableado de la casa a través del prepunzonado y en la caja de conexiones.



ADVERTENCIA: Continúe proporcionando la ayuda adicional mientras que se monta la campana extractora con solamente estos 2 tornillos.

Estos tornillos no soportarán el peso de la campana. La campana podría caer provocando daño o daños corporales.

- Asegúrese que la campana esté nivelada y centrada.



4.2.3 Instalación de los tornillos de montaje inferiores

- Perfore agujeros de 1/8" en los dos agujeros de montaje más bajos. Agrande los agujeros si no entraron los pernos de 3/8". Inserte las anclas para los sujetadores de pared en los agujeros inferiores. Quite los tornillos del ancla y agregue las arandelas planas proporcionadas. Introduzca los tornillos en las anclas y apriete.
- Instale 4 tornillos adicionales a través de la parte posterior de la campana y en el soporte de madera.

4 Instalación de su aparato

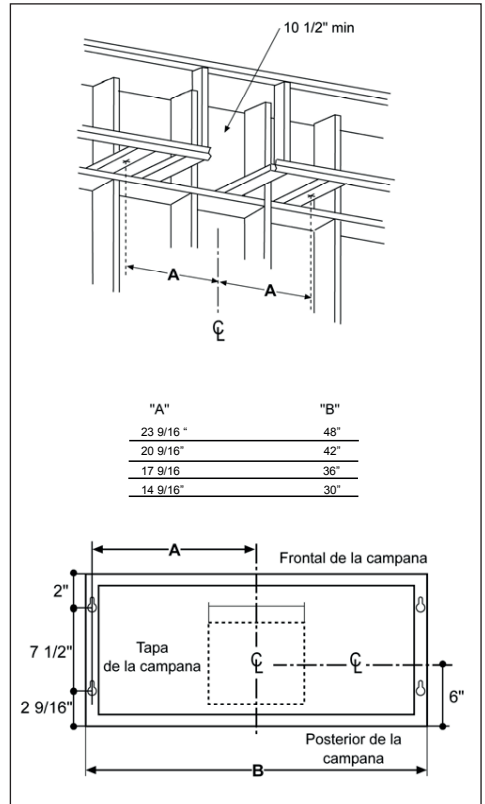
4.3 Instalar la campana extractora en el techo debajo del mueble

(Salte este paso si se está usando el método de montaje sobre pared)



IMPORTANTE: La estructura del techo debe ser capaz de soportar hasta 150 lbs.

- El techo debe estar construido con 2x4.
- Determine la localización de la instalación en la pared.
- Continúe la línea central adelante en el fondo del mueble o del techo.
- La abertura sobre la campana extractora debe permitir el paso del conducto redondo de 10 " y espacio libre para hacer deslizar la campana extractora detrás contra la pared.
- Los pernos 2x4 se deben situar según las indicaciones del gráfico. Dim A, para aceptar el tornillo de montaje.
- Taladrar agujeros de 1/8 " para colocar los pernos en las localizaciones que aparecen en la ilustración.



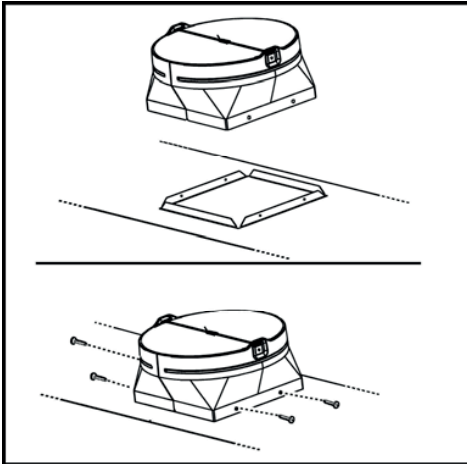
4.3.1 Instalar la Transición



IMPORTANTE: Quite la cinta de embalaje y controle que el amortiguador se mueva sin problemas.

- Coloque la pieza de transición por encima de la campana extractora y asegure con 4 tornillos proveídos.
- Use duct tape para sellar la conexión. Asegúrese que el amortiguador se mueva sin problemas.

4 Instalación de su aparato



4.3.2 Montar la campana extractora en el techo o mueble

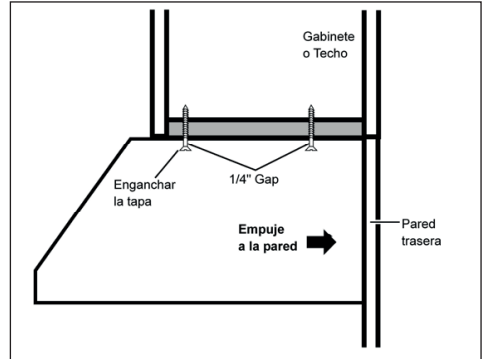


Si se monta en la superficie inferior del armario con un fondo ahuecado, instale el espiche para llenar el espacio.

- Introduzca los tornillos de montaje en los pernos hasta que sobresalgan de 1/4 ". El espacio de 1/4 " proporcionará la separación para hacer conectar las ranuras en la parte superior de la campana extractora.
- Levante la campana extractora según la posición de instalación. Localice el cableado y dirijalo hacia el prepunzonado (desde la parte posterior o por encima de la campana).
- Levante la campana extractora hacia los tornillos de montaje. Deslice hacia atrás contra la pared posterior.
- Apriete los tornillos de montaje.

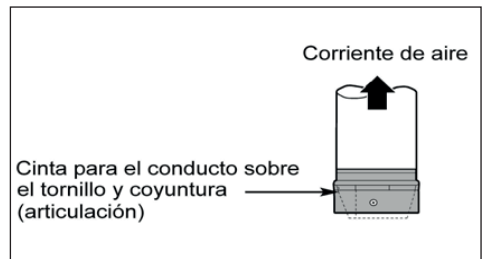


IMPORTANTE: Para ayuda adicional y para reducir al mínimo la vibración durante la operación, la campana debe ser asegurada a la pared posterior. Utilice los anclajes para sujetar la parte posterior del fondo de la campana a la pared.



4.3.3 Conectar el conducto

- Instale el conducto, haciendo conexiones en la dirección de la corriente de aire así como está ilustrado en el siguiente dibujo.
- Empuje el conducto encima de la salida de escape.
- Selle herméticamente todas las coyunturas (articulaciones) de los conductos y las abrazaderas de conexión con cinta para conductos.
- Realice la misma operación para la salida de aire de pared o de techo.



4 Instalación de su aparato

4.3.4 Conexión eléctrica

Peligro de descarga eléctrica

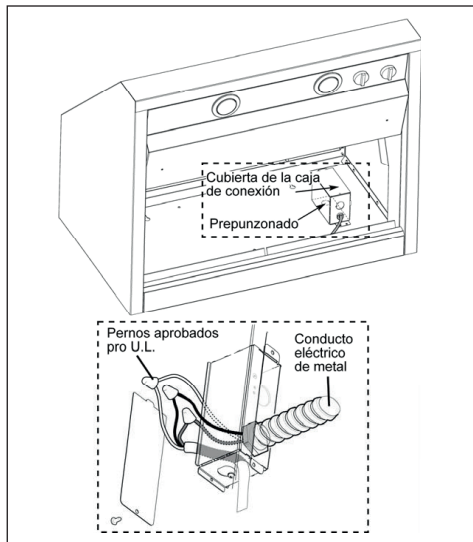


ADVERTENCIA: Antes de realizar el cableado de este aparato, desactive el circuito de energía eléctrica en el panel de servicio. Se requiere un circuito 120 VAC, 15 ó 20 A.

Instrucciones de toma eléctrica este aparato dispone de una caja de conexiones eléctricas con 3 cables, uno de los cuales (verde y amarillo) sirve como toma de tierra para el aparato para protegerse de descargas eléctricas, el cable verde y amarillo debe estar conectado al cable de toma a tierra de su sistema doméstico de electricidad y bajo ninguna circunstancia debe cortarse o eliminarse.

De lo contrario, podría tener como resultado una descarga eléctrica o la muerte.

Retire el pestillo extraíble y la tapa de la caja de conexiones e instale el conector de canal de cables (Enumerado en cULUS) en la caja de conexiones.



4.3.5 Instalar el motor

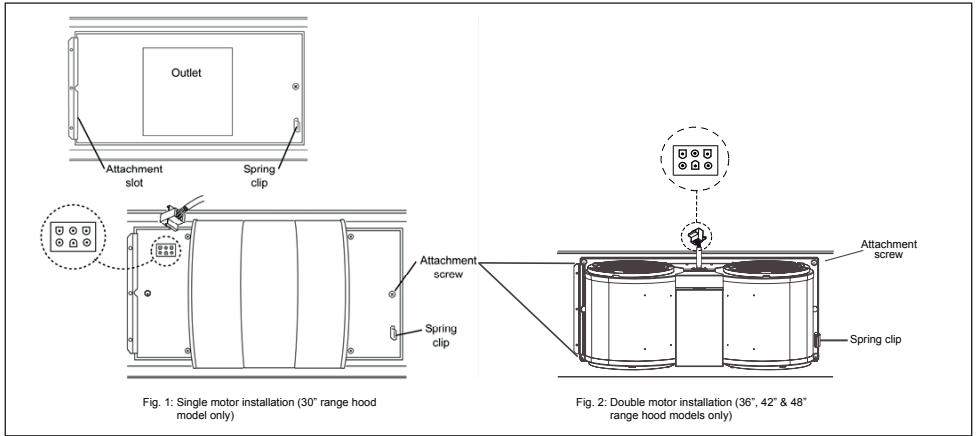
- Desde el interior de la campana extractora, deslice el motor en la ranura en la izquierda.
- Gire el motor hacia arriba hasta que se encaje a presión hacia el estribo en la derecha.
- Asegure el motor a la campana extractora con el tornillo de la máquina y la arandela de seguridad. (El tornillo está marcado con color rojo o azul).



IMPORTANTE: Los extremos del conector han sido creados para acoplar solamente una forma. Conectores planos y redondos como se muestra.

- Conecte el conector en el motor.

4 Instalación de su aparato



Instale el filtro de grasa y restablezca el suministro eléctrico en el panel de servicio. Revise el funcionamiento de la campana.

Si la campana extractora no funciona:

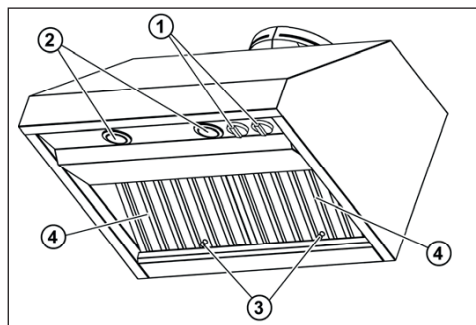
- Compruebe si el interruptor está desconectado o se han fundido los fusibles.
- Desconecte el suministro eléctrico. Compruebe si el cableado es correcto.

Para conseguir el funcionamiento más eficaz de la nueva campana extractora, lea la sección "Uso y mantenimiento".

Para disponer de una referencia sencilla, siga las Instrucciones de instalación y la Guía de uso y mantenimiento.

5 Funcionamiento de su aparato

5.1 Descripción de la campana y los controles

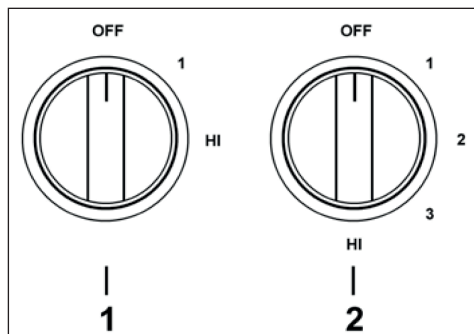


1. Panel de control
2. Cubierta de la lámpara
3. Manija para liberación filtro de grasa
4. Filtro de grasa

5.1.1 Controles

Usar la potencia de aspiración mayor en caso de particular concentración de vapores de cocina. Aconsejamos de encender la aspiración 5 minutos antes de iniciar a cocinar y dejarla en función por otros 15 minutos aproximadamente.

5.1.2 Descripción del panel de control



1. Control Luces
 - Pase el control de luces de OFF a HI para obtener una luz más clara cuando se cocina.
2. Control Ventilador
 - Pase la velocidad del ventilador de OFF a HI como requerido.

6 Limpieza y mantenimiento

6.1 Mantenimiento



Antes de cualquier operación de limpieza o mantenimiento, quite la campana de la red eléctrica desconectando el enchufe o desconectando el interruptor general de la casa.

6.2 Limpieza

- No aplique limpiadores directamente al control durante la limpieza de la campana. La campana debe ser limpiada con frecuencia tanto externamente como internamente (con la misma frecuencia con la que se realiza el mantenimiento de los filtros de grasa). Para la limpieza, utilice un paño impregnado de detergente líquido neutro. No utilice productos que contengan abrasivos. **¡NO UTILICE ALCOHOL!**



De no observarse las instrucciones dadas para limpiar el aparato y sustituir el filtro, puede producirse un incendio.

- El fabricante recomienda leerlas y respetarlas atentamente.
- El fabricante no se hace responsable por los daños al motor o los incendios provocados en el aparato debido a intervenciones de mantenimiento incorrectas o al incumplimiento de las normas de seguridad proporcionadas.

6.3 Filtro contra la grasa

Retiene las partículas de grasa producidas cuando se cocina.

Debe limpiarse una vez al mes con detergentes no agresivos, manualmente o bien en lavavajillas a bajas temperaturas y con ciclo breve.

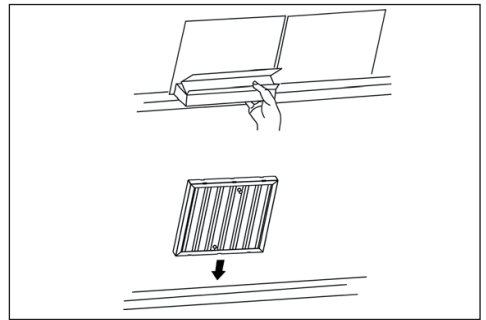
Con el lavado en el lavavajilla el filtro antigrasa metálico puede desteñirse pero sus características de filtrado no cambian absolutamente.

6.3.1 Quitar los filtros antigrasa

- Para quitar los filtros, sujete la manilla, empuje el filtro hacia arriba y quítelo.

6.3.2 Instalación filtros antigrasa

- Coloque las bandejas del filtro de goteo en la parte posterior de la campana extractora.
 - Introduzca el filtro antigrasas en la abertura y coloque las bandejas.
- #### 6.4 Sustitución de la bombilla

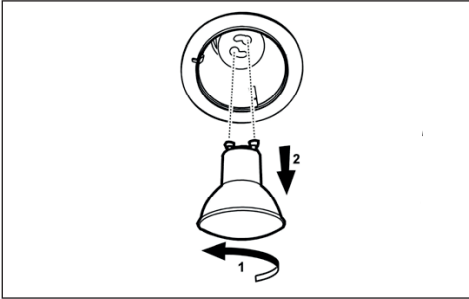


Antes de reemplazar las lámparas, el interruptor debe estar apagado y bloquear el panel, para evitar que se pueda encender accidentalmente.



Apagar las luces y el ventilador. Las luces deben enfriarse antes de volver a usarlas. Si las nuevas luces no funcionan, asegurarse que las luces estén insertadas correctamente antes de llamar al servicio de asistencia al cliente.

6 Cleaning and maintenance



Reemplazar las Luces

- Quitar la luz dañada (gitar la lámpara en sentido contrario a las manecillas del reloj) y reemplazar con una nueva luz halógena de 120 V, 50, (máximo) 50° para una base de GU10, apropiado para el uso en luminarias abiertas.

Declaración De Garantía Para Aparatos De Cocina Blomberg

Las garantías proporcionadas por Blomberg en estas declaraciones sólo se aplican a los aparatos de cocina Blomberg (hornos de pared / encimeras) vendidos al comprador original o propietario doméstico en EE.UU. y Canadá. La garantía no es transferible. Para obtener el servicio en garantía, póngase en contacto con nuestro distribuidor más cercano, según se muestran en la lista por estados. Necesitará el número de modelo, número de serie, nombre y dirección del comercio donde haya adquirido el producto (horno de pared / encimera) y la fecha de compra / fecha de instalación. Esta garantía le confiere derechos legales específicos, y usted puede tener otros derechos que varían entre los diferentes estados.

De acuerdo con la garantía limita de un 1 año* a partir de la fecha de la primera instalación, Blomberg reparará o sustituirá, sin coste alguno para el consumidor, las piezas defectuosas de los aparatos de cocina (hornos de pared / encimeras) si se utilizan bajo condiciones domésticas normales (la garantía queda anulada si se da al producto un uso comercial). El servicio será prestado por un servicio técnico autorizado de Blomberg, **de lo contrario, la garantía quedará anulada.** (Deberá informar de los defectos cosméticos en un plazo no superior a 10 días tras la instalación)

De acuerdo con la garantía limitada de 2 años * ++ a partir de la primera instalación (sólo piezas), Blomberg reparará o sustituirá cualquier pieza sin coste alguno para el consumidor si defectos en los materiales o mano de obra han causado el daño o fallo de estos componentes. De nuevo, el aparato deberá utilizarse bajo condiciones domésticas normales y no comerciales, como se ha indicado anteriormente (los gastos de mano de obra son responsabilidad del consumidor)

Renuncia a las garantías y exclusiones: la garantía no cubre los costes de servicio de un servicio técnico autorizado para corregir la instalación, problemas eléctricos o impartir instrucciones en relación con el uso de los aparatos de cocina (hornos de pared / encimeras). La garantía tampoco cubre defectos o daños causados por una circunstancia de causa mayor (por ejemplo, tormentas, inundaciones, incendios, avalanchas de lodo, etc.), los daños causados por el uso de los aparatos de cocina (hornos de pared / encimeras) para fines diferentes de aquellos para los que han sido diseñados, usos indebidos, abusos, accidentes, alteraciones, instalación o mantenimiento inadecuados, gastos de desplazamiento, llamadas de servicio fuera de los horarios normales de trabajo, trabajos o trabajos de servicios no autorizados.

Este producto ha sido totalmente probado y se ha sometido a inspecciones de aseguramiento de calidad oficiales antes de su salida desde el emplazamiento de fabricación original. Las condiciones de garantía para este aparato Blomberg no tendrán validez si el producto ha sido alterado o modificado, si se han añadido piezas adicionales, ha sido fijado o reembalado por un distribuidor autorizado, personal de mantenimiento, terceros, revendedores o cualquier otra persona o personas no autorizadas.

EN EL GRADO PERMITIDO POR LA LEY, ESTA GARANTÍA SUSTITUYE A CUALQUIER OTRA GARANTÍA EXPRESA O IMPLÍCITA, INCLUIDAS LAS GARANTÍAS IMPLÍCITAS DE COMERCIABILIDAD Y ADECUACIÓN PARA UN FIN PARTICULAR. BLOMBERG NO ACEPTA NINGUNA RESPONSABILIDAD SOBRE LA CALIDAD DE ESTE PRODUCTO, A EXCEPCIÓN DE LO EXPRESADO EN ESTA DECLARACIÓN DE GARANTÍA. BLOMBERG NO ASUME NINGUNA RESPONSABILIDAD SOBRE LA ADECUACIÓN DEL PRODUCTO PARA CUALQUIER FIN PARTICULAR PARA EL QUE SE ADQUIERA, A EXCEPCIÓN DE LO EXPRESADO EN ESTA DECLARACIÓN DE GARANTÍA.

Blomberg no asume ninguna responsabilidad sobre los daños incidentales o consecuenciales. Tales daños incluyen, aunque no limitado a ellos, la pérdida de beneficios, pérdidas de ahorros o ingresos, pérdida de uso del aparato o cualquier equipo asociado, costes de capital, costes de cualquier equipo, instalación o servicio de sustitución, tiempos de parada, reclamaciones de terceros y daños materiales. Algunos estados no permiten la exclusión o limitación de daños incidentales o consecuenciales y, por esta razón, las citadas limitaciones o exclusiones pueden no ser aplicables en su caso particular.

* la fecha de instalación hará referencia a la fecha de compra o 5 días hábiles tras la entrega del producto en la vivienda, la que sea posterior.
++Las piezas sustituidas asumirán la identidad de las piezas originales + su garantía original.

Ninguna otra garantía. Esta Declaración de garantía es la garantía completa y exclusiva del fabricante. Ningún empleado de Blomberg o cualquier otra persona tienen autoridad para realizar ninguna declaración de garantía además de las incluidas en esta Declaración de garantía. Guarde esta tarjeta de garantía, el manual de usuario y el justificante de venta.

CÓMO SOLICITAR ASISTENCIA TÉCNICA

Póngase en contacto con el Distribuidor de su estado o provincia, consultando la Lista de contacto de distribuidores, o llame al número gratuito 1 800 459 9848 donde le indicarán como ponerse en contacto con un Servicio Técnico Autorizado de Blomberg. 02 01

Avant d'utiliser l'appareil, veuillez lire ce manuel !

Cher client !

Merci d'avoir choisi les produits Blomberg. Nous espérons que ce produit, fabriqué dans des installations modernes et soumis à un processus de contrôle qualité rigoureux, vous offre les meilleures performances possibles. C'est pourquoi nous vous recommandons, avant d'utiliser ce produit, de lire attentivement ce manuel et tous les autres documents fournis et de les conserver soigneusement pour toute consultation future. Si vous confiez le produit à quelqu'un d'autre, n'oubliez pas de lui remettre également le manuel d'utilisation. Veuillez à bien respecter les consignes et les instructions figurant dans le manuel d'utilisation.

N'oubliez pas que ce manuel d'utilisation s'applique aussi à plusieurs autres modèles d'appareils. Les différences entre un modèle et un autre sont clairement exposées dans le manuel.

Signification des pictogrammes

Les symboles suivants sont repris tout au long de ce manuel:



Informations importantes et conseils utiles sur l'utilisation de l'appareil.



AVERTISSEMENT : Avertissement sur les situations dangereuses concernant la sécurité des biens et des personnes.



Avertissement contre le risque d'électrocution.



Avertissement en cas de contact avec une surface brûlante.



Ce produit a été fabriqué dans les usines modernes respectueuses de l'environnement.



TABLE DES MATIÈRES

1 Instructions importantes en matière de sécurité et d'environnement 44

1.1 Consignes générales de sécurité.....	44
1.1.1 Sécurité électrique.....	44
1.1.2 Sécurité du produit.....	45
1.2 Utilisation préconisée.....	47
1.3 Conformité avec la directive DEEE et mise au rebut du produit usagé.....	47
1.4 Information sur l'emballage.....	47

2 Exigences électriques et exigences d'installation 48

2.1 Exigences électriques.....	48
2.2 Avant d'installer la hotte.....	48

3 Spécifications techniques de votre appareil 50

3.1 Liste des pièces.....	50
3.1.1 Pièces fournies.....	50
3.1.2 Pièces non fournies.....	50
3.2 Dimensions et Dégagement.....	51
3.3 Exemples et possibilités de positionnement des conduits.....	52
3.3.1 Méthodes de ventilation.....	52
3.4 Préparation.....	52

4 Installation de votre appareil 53

4.1 Installation - Version à conduit.....	53
4.2 Installer la hotte sur le mur.....	53
4.2.1 Installer le Raccord sur le Dessus de la Hotte.....	54
4.2.2 Accrocher la hotte sur le support en bois.....	54
4.2.3 Installer les vis de montage du fond.....	54
4.3 Installer la hotte sous le plafond ou sous les meubles.....	54
4.3.1 Installer le Raccord sur le Dessus de la Hotte.....	55
4.3.2 Montage de la hotte au plafond ou sur meuble.....	55
4.3.3 Raccorder le conduit.....	56

4.3.4 Connexion électrique.....	56
4.3.5 Installer le Moteur.....	57

5 Fonctionnement de votre appareil 59

5.1 Description de la hotte et des commandes.....	59
5.1.1 Commandes.....	59
5.1.2 Description du panneau de commandes.....	59

6 Nettoyage et entretien 60

6.1 Entretien.....	60
6.2 Nettoyage.....	60
6.3 Filtre à graisse.....	60
6.3.1 Enlever les filtres anti-graisses.....	60
6.3.2 Installer les filtres anti-graisses.....	60
6.4 Remplacement des ampoules.....	60

7 Garantie 62

Cette section contient les consignes de sécurité qui aident à se prémunir contre les risques de dommages corporels ou de dégâts matériels. Le non-respect de ces consignes annule la garantie.

1.1 Consignes générales de sécurité

- Les procédures d'installation et de réparation doivent toujours être mises en application par un agent de service agréé. Le fabricant ne saurait être tenu responsable des dommages découlant des procédures effectuées par des personnes non autorisées.
- Ce produit n'a pas été prévu pour être utilisé par des personnes (notamment les enfants) dont les capacités physiques, sensorielles ou mentales sont réduites, ou n'ayant pas suffisamment d'expérience ou de connaissances. Les enfants doivent toujours être surveillés pour s'assurer qu'ils ne jouent pas avec l'appareil.

1.1.1 Sécurité électrique

- Débranchez toujours l'appareil du secteur pendant les procédures d'installation, d'entretien, de nettoyage et de réparation.

- Si le câble d'alimentation est défectueux, faites-le remplacer par une personne qualifiée agréée par le fabricant, le service après-vente ou assimilé (de préférence un électricien) ou une personne identifiée par l'importateur.
- La tension de fonctionnement est de 220 à 240 volts.
- Si l'appareil est défectueux, il ne doit pas être utilisé à moins d'être réparé par un agent de service agréé. Il y a risque d'électrocution !
- Ne faites pas passer le câble électrique près des tables de cuisson. Autrement, il pourrait fondre facilement et causer un incendie.
- Ne branchez jamais la hotte avant la fin de l'installation.
- Afin d'obtenir les meilleurs résultats, le conducteur externe ne doit pas être supérieur à 4 m. Il ne doit pas contenir plus de 2 angles (90 °) perpendiculaires et son diamètre doit être de 120 mm minimum.
- Débranchez l'appareil du secteur avant toute intervention sur les pièces internes.
- Utilisez l'appareil uniquement avec une prise de terre.

1.1.2 Sécurité du produit

- Vous pouvez utiliser un tuyau de 120 mm ou 150 mm de diamètre sur le raccordement au conduit de cheminée de la hotte.
 - N'effectuez aucun raccordement sur les conduits de cheminée connectés aux cuisinières, aux conduits d'évacuation ou aux conduits de cheminée à flammes montantes. Respectez les règles concernant l'évacuation d'air définies par les autorités.
 - La hauteur entre la surface inférieure de la hotte et la surface supérieure de la cuisinière/four ne doit pas être inférieure à 50 cm pour les tables de cuisson à gaz et à 45 cm pour les tables de cuisson électriques.
 - N'utilisez pas la hotte sans filtres en aluminium et ne les retirez pas lorsqu'elle est en fonctionnement.
 - Ne touchez jamais les ampoules de la hotte après une longue durée de fonctionnement. Elles pourraient vous brûler les mains puisqu'elles sont chaudes.
 - Évitez les grandes flammes sous l'appareil.
- Autrement, les particules du filtre à huile pourraient s'enflammer et causer un incendie.
- Allumez les tables de cuisson après y avoir déposé les poêles ou les casseroles. Sinon, la chaleur élevée pourrait déformer certaines pièces de votre appareil.
 - Éteignez les tables de cuisson avant d'y retirer les poêles et les casseroles.
 - Évitez de laisser les matériaux inflammables sous la hotte.
 - De l'huile pourrait s'enflammer lors des fritures. Alors, faites attention aux torchons et aux rideaux.
 - Ne laissez jamais la plaque de cuisson sans surveillance lors des fritures ; autrement, de l'huile chaude pourrait causer un incendie.
 - Il y a risque d'incendie si votre hotte n'est pas nettoyée à des périodes spécifiques.
 - Faites très attention et portez des gants pendant le nettoyage de la hotte.
 - Il est conseillé de faire fonctionner la hotte pendant quelques minutes avant de commencer la cuisson afin d'augmenter la puissance d'aspiration.

Instructions importantes en matière de sécurité et d'environnement

Ainsi, la puissance d'aspiration sera continue et stable lors de l'échappement des vapeurs.

- Laissez fonctionner la hotte pendant 15 minutes supplémentaires à la fin de la cuisson ou de la friture afin de débarrasser la cuisine des odeurs de vapeur.
- Lorsque la hotte est en fonctionnement, simultanément avec les tables de cuisson de cuisson à gaz, assurez-vous que l'environnement est aéré.
- Faites attention de ne pas raccorder l'appareil aux conduits de cheminée utilisés par les appareils non électriques. (Exemple : Conduit de l'élément chauffant).
- Le fonctionnement simultané et sécurisé de la hotte et d'un autre appareil nécessitant de l'air n'est possible que lorsqu'une basse pression de 4 Pa (0,04 mbar) est garantie ; ainsi, la réabsorption du gaz est évitée. Ceci n'est possible que grâce à l'air venant d'ouvertures non couvertes (porte, fenêtre, ouvertures d'aération ou autres mesures techniques). Assurez-vous par dessus tout que le débit d'air est suffisant.

Une cheminée ne fournissant pas

suffisamment d'entrée et de sortie d'air ne convient pas à cette utilisation.

1.1.3 Sécurité des enfants

- Les matériaux d'emballage sont dangereux pour les enfants. Conservez-les en lieu sûr, hors de la portée des enfants.
- Les appareils électriques sont dangereux pour les enfants. Tenez les enfants à l'écart de l'appareil. Ne les laissez pas jouer avec l'appareil.
- Cet appareil peut être utilisé par les enfants âgés de 8 ans ou plus et par les personnes à capacités physiques, sensorielles ou mentales réduites ou qui n'ont pas les connaissances et l'expérience, tant qu'ils sont surveillés dans l'utilisation sécuritaire du produit ou s'ils sont instruits en conséquence ou comprennent les risques de l'utilisation du produit. Les enfants ne doivent pas jouer avec l'appareil.
- **AVERTISSEMENT** : Les pièces accessibles peuvent être chaudes lorsqu'elles sont utilisées avec un appareil de cuisson.

1.2 Utilisation préconisée

- Le présent appareil a été conçu à des fins domestiques. Il n'est pas adapté pour un usage commercial, et ne doit pas être utilisé à des fins autres que celles prévues.
- La responsabilité du fabricant ne saurait être engagée en cas d'utilisation ou de manipulation inadaptée.
- La durée de vie de votre appareil est de 10 ans. Il s'agit de la période nécessaire pour la disponibilité des pièces de rechange pour le fonctionnement correct de l'appareil.
- **AVERTISSEMENT:** Le non respect des instructions du présent manuel fournies pour la fixation des vis peut présenter des risques électriques.

1.3 Conformité avec la directive DEEE et mise au rebut du produit usagé



Cet appareil est conforme à la directive DEEE (2012/19/UE). Cet appareil porte le symbole de classification pour les déchets des équipements électriques et électroniques (DEEE).

Le présent appareil a été fabriqué avec des pièces et du matériel de qualité supérieure susceptibles d'être réutilisés aux fins de recyclage. Ne mettez pas l'appareil usagé au rebut avec des déchets domestiques et autres déchets, à la fin de sa durée de vie. Déposez-le dans un point de collecte réservé au recyclage d'appareils électriques et électroniques. Veuillez contacter les autorités locales pour connaître l'adresse de ces points de collecte.

Conformité avec la directive RoHS :

L'appareil que vous avez acheté est conforme à la Directive RoHS de l'UE (2011/65/UE). Il ne contient pas de matières dangereuses et interdites spécifiées dans la Directive.

1.4 Information sur l'emballage



L'emballage du produit est fait à partir de matériaux recyclables, conformément à notre réglementation nationale. Ne jetez pas les éléments d'emballage avec les déchets domestiques et autres déchets. Déposez-les dans un des points de collecte d'éléments d'emballage que vous indiquera l'autorité locale dont vous dépendez.

2 Exigences électriques et exigences d'installation

2.1 Exigences électriques



Respectez tous les codes et les ordonnances en vigueur.

Le client a la responsabilité de :

Contactez un électricien-installateur. Vérifier que l'installation électrique est adéquate et conforme avec le Code national de l'électricité, ANSI/NFPA 70 (la plus récente édition*), ou les normes C22.1-94, Code canadien de l'électricité, Partie 1 et C22.2 No.0-M91 (La plus récente édition**) de la CSA, ainsi que tous les codes et les ordonnances de votre région.

- Si le code le permet et que vous utilisez un fil de mise à la terre distinct, il est recommandé de faire vérifier le chemin du fil par un électricien.
- Ne pas mettre l'appareil à la terre sur une conduite de gaz.
- Consultez un électricien qualifié si vous n'êtes pas certain que la hotte est mise à la terre correctement.
- N'installez pas un fusible dans le circuit neutre ou le circuit de mise à la terre.



Conservez ces instructions afin de pouvoir les remettre à l'inspecteur-électricien.



La hotte doit être câblée uniquement à l'aide de fils de cuivre.



Il faut raccorder la hotte directement à une boîte à fusible ou à un disjoncteur par l'entremise d'une canalisation électrique en métal.

Le calibre de fil doit être conforme aux exigences du Code national de l'électricité, ANSI/NFPA 70 (La plus récente édition*), ou les normes C22.1-94, Code canadien de l'électricité, Partie 1 et C22.2 O-M91 (La plus récente édition**) de la CSA, ainsi que tous les codes et les ordonnances de votre région.

Il faut prévoir un connecteur de canalisation approuvé par l'UL ou la CSA à chaque extrémité de la canalisation d'alimentation (à la hotte et à la boîte de jonction).

Vous pouvez obtenir un exemplaire des normes indiquées en vous adressant à :

* La National Fire Protection Association, Batterymarch Park Quincy, Massachusetts, 02269

** La CSA International, 8501 East Pleasant Valley Road, Cleveland, Ohio, 44131-5575

2.2 Avant d'installer la hotte

1. Pour assurer la ventilation la plus efficace possible, installez la conduite en ligne droite ou avec le moins de coudes possibles.



ATTENTION : La sortie de la conduite de ventilation doit donner sur l'extérieur.

2. Deux personnes sont nécessaires pour effectuer l'installation.
3. La hotte comporte des vis et des ancrages pour mur sec adaptés à la plupart des types de surface; consultez un installateur qualifié pour vous assurer que la quincaillerie fournie est adaptée à votre type de mur ou d'armoire.
4. N'utilisez pas de conduit flexible.
5. Dans le cas des endroits sujets aux TEMPÉRATURES FROIDES, il faut installer un clapet de contre-tirage supplémentaire afin de minimiser le retour d'air froid et un isolant thermique non métallique afin de minimiser la conduction de la température extérieure dans le conduit. Il faut placer le clapet du côté de l'air froid de l'isolant thermique. L'isolant doit être placé le plus près possible de l'endroit où le conduit entre dans la partie chauffée de la maison.
6. Air d'appoint : Le code du bâtiment de votre région peut exiger l'utilisation d'un système d'air d'appoint si vous utilisez un système de ventilation à conduit dont le mouvement d'air dépasse un certain nombre de CFM. Le nombre de pi³/min varie d'une région à l'autre. Consultez un professionnel de CVC pour connaître les exigences précises de votre région.

2 Exigences électriques et exigences d'installation

Enlever l'emballage



Enlever délicatement le carton,
Porter des gants pour se protéger
des bords coupants.



Enlever le film de protection recou-
vrant le produit avant de commencer
l'opération.

3 Spécifications techniques de votre appareil

3.1 Liste des pièces

3.1.1 Pièces fournies

Enlever l'emballage



Enlever délicatement le carton, Porter des gants pour se protéger des bords coupants.



Enlever le film de protection recouvrant le produit avant de commencer l'opération.

- Cheminée de la hotte
- Soufflerie.
- Raccord de tube.
- Ampoules déjà en place.
- Filtre anti-graisse
- Kit accessoires avec:
 - Manuels d'utilisation, d'entretien et d'installation
 - 2 systèmes d'accrochage muraux avec vis pour assurer la hotte au mur à l'arrière
 - 4 vis à bois pour sécuriser le support en bois au mur
 - 4 vis Phillips pour assurer le raccord à la sortie de la hotte sur le dessus
 - 6 vis Phillips pour assurer la hotte au support en bois (2 sécurisés pour le support en bois)
 - 1 Vis de sécurité et une rondelle pour sécuriser la soufflerie (la vis est marquée de peinture rouge ou bleue)
 - 2 rondelles pour les attaches au mur

3.1.2 Pièces non fournies

Accessoires en option

- Conduit de cheminée
- Kit lampes (2 IR 175W)
- Kit Backsplash

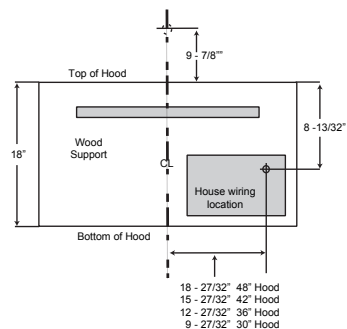
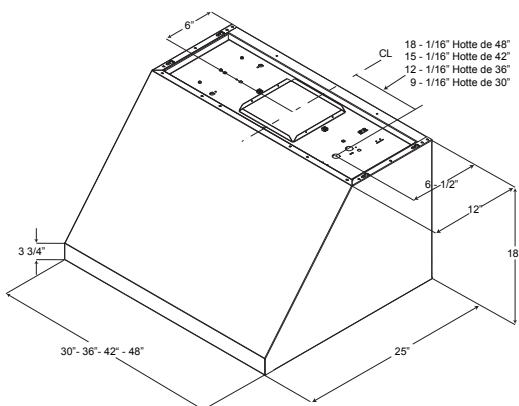
Outils nécessaires

- Ecrous métalliques
- Ruban pour le gabarit de montage
- Conduit métallique circulaire de 8» pour parfaire l'installation
- Mètre ruban
- Tenailles
- Gants
- Couteau
- Lunettes de sécurité
- Foreuse électrique 5/16» et 3/8"
- Réducteur de tension
- Niveau
- Toile isolante
- 2 tournevis Phillips (Pozidrive)
- 2 tournevis Torx
- Dénudeur
- Ruban de masquage
- Marteau
- Scie, scie circulaire

3 Spécifications techniques de votre appareil

	BCHP30100SS
Type d'Evacuation Possible	Evacuation Extérieure
Puissance d'Aspiration (max.)	515 CFM
Nombre de Vitesses	4
Commande	Mécanique
Eclairage et Puissance des Lampes	2 x 50W Halogenes
Filtre	2 x Filtres à Chicane
Volts	120 V
Fréquence	60 Hz
Puissance Totale (moteur + éclairage)	550 W
Type de Connecteur	Hard Wire
Distance Nécessaire au-Dessus de la Table de Cuisson	30" (gaz) 30" (électrique)

3.2 Dimensions et Dégagement



3 Spécifications techniques de votre appareil

3.3 Exemples et possibilités de positionnement des conduits

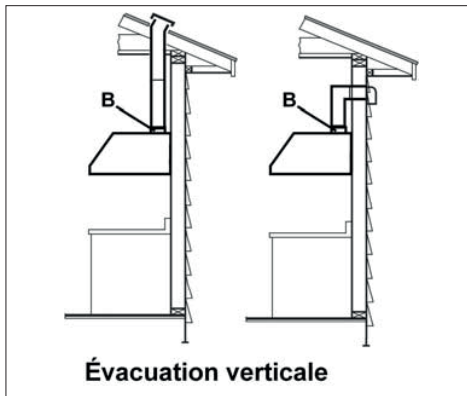
Suivez à la lettre les directives présentées dans ce manuel.

Le fabricant refuse toute responsabilité en ce qui a trait à tout préjudice, dommage ou incendie causé par la non observation des directives contenues dans le présent manuel.

3.3.1 Méthodes de ventilation

La hotte est dotée d'une transition B afin d'évacuer les vapeurs à l'extérieur (version à conduit).

Diamètre minimum des conduit (Version avec ou sans conduit) : tuyau rond de 10».



3.4 Préparation

Ne coupez pas une solive ou un montant à moins qu'il soit absolument nécessaire de le faire. Si vous devez couper une solive ou un montant, vous devez construire un cadre de soutien.

La quincaillerie fournie permet de fixer la hotte à la plupart des murs et des plafonds.

Vous devez cependant demander à un technicien qualifié de vérifier la solidité des matériaux selon le type de mur ou de plafond.

Avant de couper, assurez-vous qu'il y a un dégagement suffisant dans le plafond ou le mur pour passer la conduite de sortie.

Vous pouvez déterminer vous-même la hauteur à laquelle vous installez la hotte au-dessus de la cuisinière. Plus la hotte est près de la cuisinière, plus elle est efficace à capter les odeurs de cuisson, la graisse et la fumée.

ATTENTION: Pour l'installation des cuisinières à gaz: monter la hotte afin d'avoir entre le bord inférieur de la hotte et le plan de cuisson une distance de 30" (76,2 cm).

Pour cuisinières électriques: monter la hotte afin d'avoir entre le bord inférieur de la hotte et le plan de cuisson la distance ne soit pas inférieure de 30" (76,2 cm) et supérieure de 36".

Emploi domestique. Lire attentivement le livret d'installations spécifiques.



Vérifiez donc la hauteur de votre plafond et la hauteur maximum de la hotte avant de choisir votre modèle de hotte.

4 Installation de votre appareil

4.1 Installation - Version à conduit

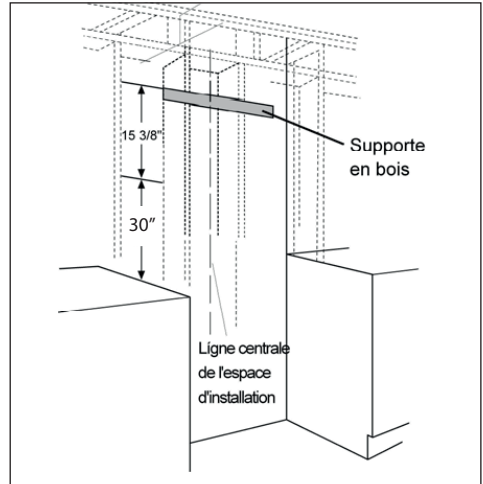
- Si possible, débranchez la cuisinière et déplacez-la afin d'avoir un meilleur accès au mur arrière. Sinon, placez une couverture épaisse sur le comptoir et la surface de cuisson afin de les protéger des dommages et des saletés. Sélectionnez une surface plane pour assembler l'appareil. Placez une couverture protectrice sur cette surface, puis disposez les pièces de l'auvent de la hotte et la quincaillerie.
- Déterminez et marquez la ligne centrale sur le mur où sera installé l'auvent de la hotte.
- Déterminez une hauteur confortable pour l'utilisateur et marquez-la sur le mur derrière la surface de cuisson.
- Posez le modèle sur la ligne centrale et le bas de la hotte à l'aide de ruban adhésif.

4.2 Installer la hotte sur le mur



IMPORTANT: Le support doit être capable de supporter un poids de 150 lbs.

- Placer au moins 2 attaches verticales sur le support en bois.
- Centrer le support en bois fourni, de gauche à droite et sous la ligne marquée à 15 3/8".



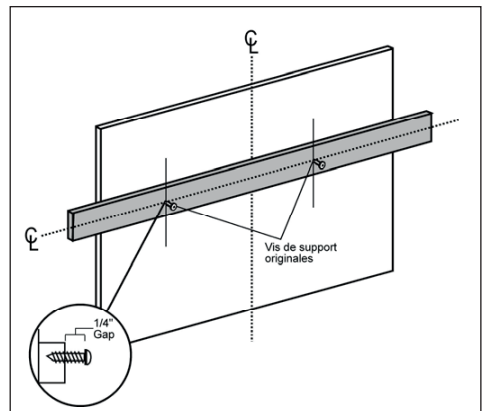
- Sécuriser le support en bois avec 2 ou plus attaches verticales en utilisant au moins 2 des 4 longues vis fournies.



IMPORTANT: Les vis doivent pénétrer d'au moins 1 1/2» dans les attaches. Visser les vis dans le support.



Les vis de montage doivent rester dans leur emplacement d'origine. Ces vis sont placées pour entrer dans les fentes à l'arrière de la hotte.



4 Installation de votre appareil

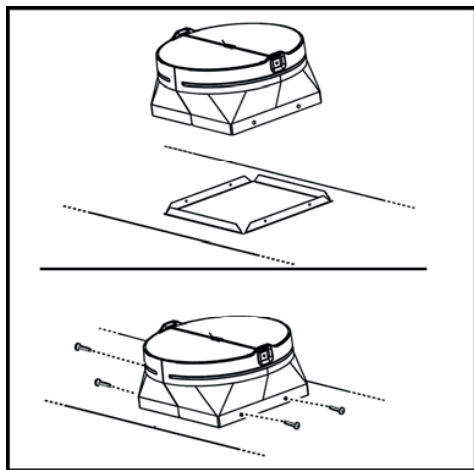
- Ajuster la profondeur des vis de montage originales dans le support en bois jusqu'à ce qu'elles ressortent de 1/4». Ce dépassement de 1/4» va permettre d'accrocher la hotte.

4.2.1 Installer le Raccord sur le Dessus de la Hotte



IMPORTANT: Enlever le ruban autocollant du transport du clapet et vérifier que le clapet se déplace librement.

- Placer la pièce de raccord sur la sortie de la hotte et sécuriser à l'aide des 4 vis fournies.
- Utiliser de la toile isolante pour fermer hermétiquement le raccord. Vérifier pour s'assurer que le clapet se déplace librement.



4.2.2 Accrocher la hotte sur le support en bois

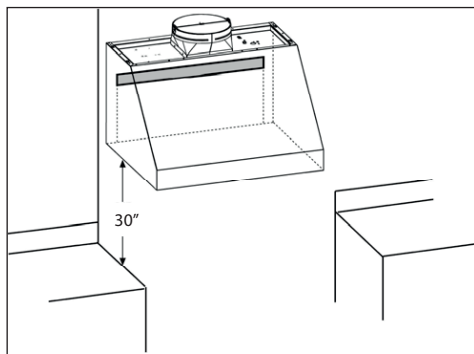
- Soulever la hotte et la placer à proximité de l'endroit de l'installation. Faire passer les fils électriques dans le passage et dans la boîte de raccordement.
- Placer la hotte sur le support en bois. S'assurer que les vis de montage se placent dans les fentes à l'arrière de la hotte. Serrer les vis.



ATTENTION: Continuer à fournir un soutien supplémentaire tant que la vis n'est placée qu'avec ces deux vis.

Ces vis ne supportent pas le poids de la hotte. La hotte peut tomber et se casser ou provoquer des blessures.

- Vérifier que la hotte est à niveau et centrée.



4.2.3 Installer les vis de montage du fond

- Forer un trou de 1/8» dans les deux trous de montage inférieurs. Elargir les trous si des attaches de 3/8» n'y entrent pas. Insérer les crochets pour attaches murales dans les trous. Enlever les vis d'attache et ajouter les rondelles fournies. Mettre les vis dans les attaches et serrer.
- Installer 4 vis supplémentaires par l'arrière de la hotte et dans le support en bois.

4.3 Installer la hotte sous le plafond ou sous les meubles

(Passer cette étape si vous utilisez la méthode de montage au mur)

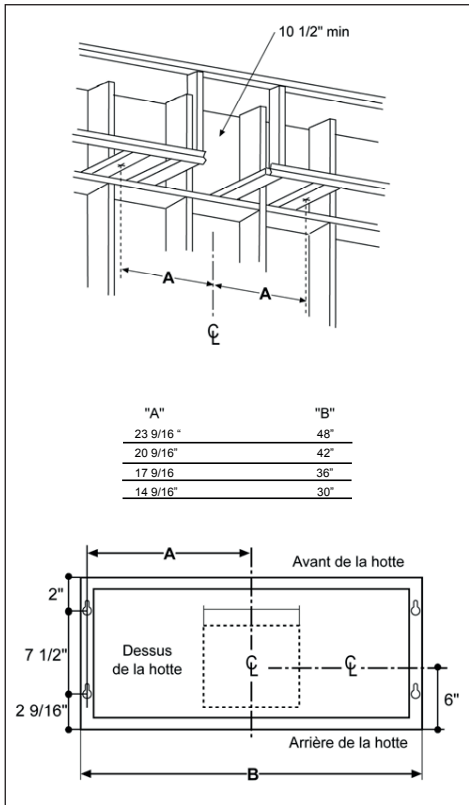


IMPORTANT: Les structures du plafond doivent être capables de supporter 150 lbs.

- Le plafond doit être construit avec des 2x4's.

4 Installation de votre appareil

- Déterminer l'endroit d'installation sur le mur.
- Continuer la ligne centrale sur le fond de l'armoire ou au plafond.
- L'ouverture au-dessus de la hotte doit autoriser le passage d'un conduit circulaire de 10» et un passage pour faire glisser la hotte contre le mur.
- Les attaches 2x4 doivent se trouver comme indiqué sur le dessin, Dim. A pour accepter les vis de montage.
- Forer un trou de 1/8» dans les attaches aux endroits indiqués sur l'illustration.

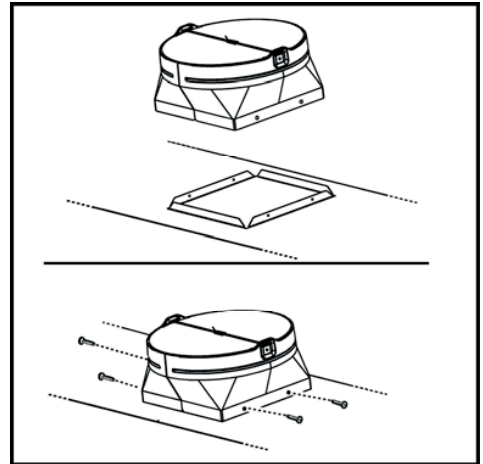


4.3.1 Installer le Raccord sur le Dessus de la Hotte



IMPORTANT: Enlever le ruban autocollant du transport du clapet et vérifier que le clapet se déplace librement.

- Placer la pièce de raccord sur la sortie de la hotte et sécuriser à l'aide des 4 vis fournies.
- Utiliser de la toile isolante pour fermer hermétiquement le raccord. Vérifier pour s'assurer que le clapet se déplace librement.



4.3.2 Montage de la hotte au plafond ou sur meuble



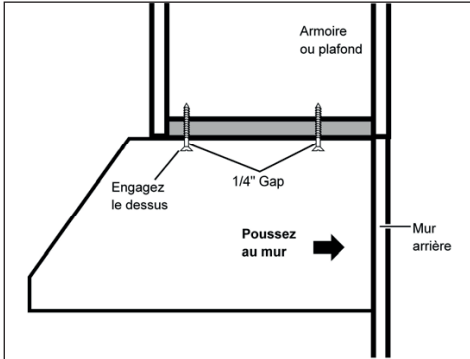
Si l'installation a lieu sur la partie inférieure d'un meuble avec fond diminué, installer des cales pour remplir l'espace.

- Placer les vis de montage dans les attaches jusqu'à ce qu'elles sortent de 1/4». L'espace de 1/4» va fournir une aisance pour placer les fentes au sommet de la hotte.

4 Installation de votre appareil

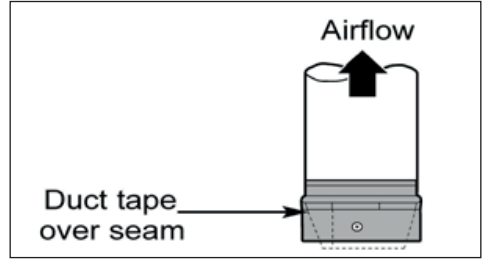
- Soulever la hotte jusqu'à la position d'installation. Faire passer les fils électriques à travers le passage (à partir de l'arrière ou du dessus de la hotte)
- Soulever la hotte pour les vis de montage. La faire glisser contre le mur arrière.
- Serrer les vis de montage.

IMPORTANT: Pour d'autres supports et pour minimiser les vibrations durant les opérations, la hotte doit être sécurisée au mur du fond. Utiliser des attaches murales pour attacher l'arrière de la hotte au mur.



4.3.3 Raccorder le conduit

- Installer le conduit, effectuer les raccords dans la direction du flux d'air comme illustré.
- Pousser le conduit dans la sortie d'évacuation.
- Recouvrir tous les joints des conduits et les raccords à la bride avec de la toile isolante pour une fermeture hermétique.
- Effectuer la même opération pour le raccordement à l'évacuation dans le mur ou dans le plafond.



4.3.4 Connexion électrique

Danger de choc électrique



Coupez l'alimentation du circuit dans le panneau électrique avant de raccorder les fils de cet appareil.

Un circuit de 120 V c.a., de 15 ou 20 A est requis.

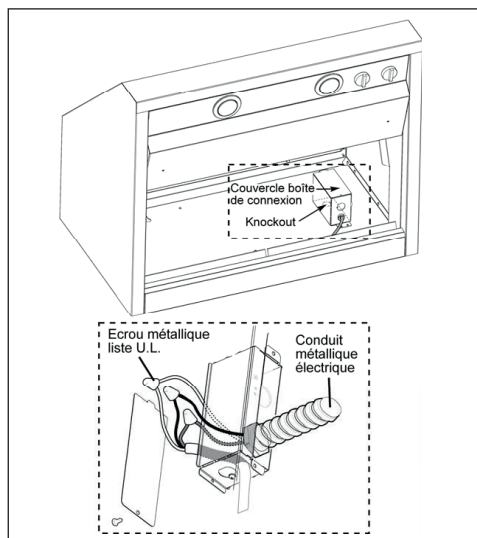
Instructions de mise à la terre cet appareil est muni d'une boîte de jonction électrique à trois fils, dont l'un (vert/jaune) sert à mettre l'appareil à la terre. Pour vous protéger contre les chocs électriques, vous devez raccorder le fil vert/jaune au fil de mise à la terre du système électrique de votre maison. En aucune circonstance ce fil doit être coupé ou enlevé.

Le fait de ne pas respecter cette directive peut entraîner la mort ou un choc électrique.

Retirez l'alvéole défonçable et le couvercle de la boîte de jonction et installez un connecteur de canalisation

(Listé dans cULus) dans la boîte de jonction.

4 Installation de votre appareil



4.3.5 Installer le Moteur

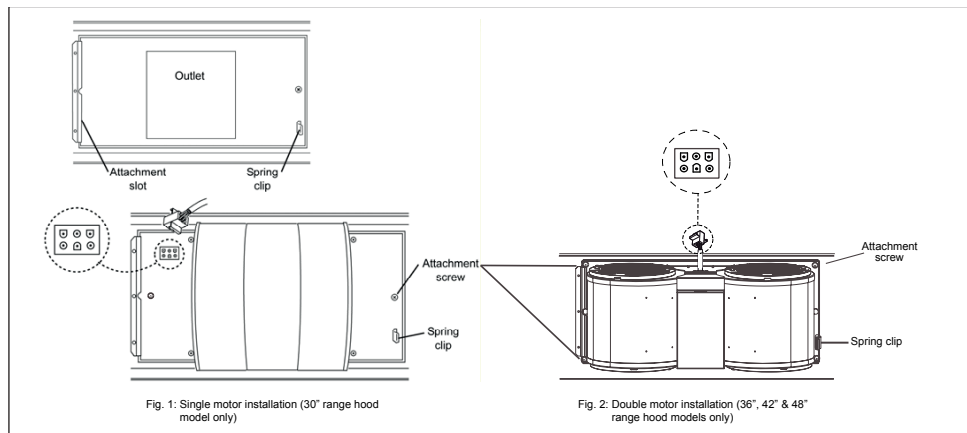
- A partir de l'intérieur de la hotte, faire glisser le moteur dans la fente d'attache sur la gauche.
- Tourner le moteur vers le haut jusqu'à ce qu'il saute dans le ressort sur la droite.
- Sécuriser le moteur à la hotte à l'aide des vis du moteur et des rondelles. (Vis peinte en bleue ou rouge).



IMPORTANT: Les bouts de connexion sont dessinés pour un sens unique. Raccorder les connecteurs plats et les ronds comme indiqué.

- Raccorder le connecteur dans le moteur.

4 Installation de votre appareil



Installer le filtre anti-graisse et remettre le courant à la boîte à fusible. Vérifier le fonctionnement de la hotte.

Si la hotte ne fonctionne pas :

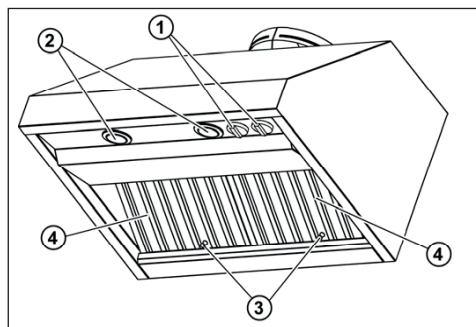
- Vérifiez que le disjoncteur ne s'est pas déclenché ou que le fusible n'est pas grillé.
- Débranchez l'alimentation. Vérifiez que les raccords électriques ont été effectués correctement.

Pour utiliser votre nouvelle hotte de façon optimale, lisez la section intitulée "Entretien et utilisation".

Gardez vos instructions d'installations et d'utilisation près de la hotte pour pouvoir vous y référer facilement.

5 Fonctionnement de votre appareil

5.1 Description de la hotte et des commandes

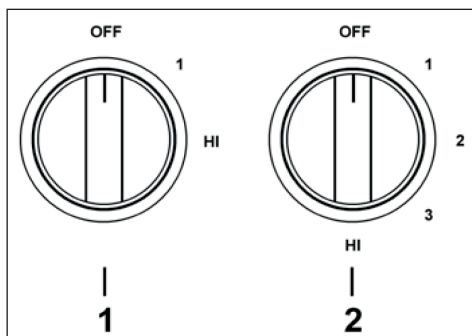


1. Contrôles soufflerie et lumières
2. Emplacements des ampoules
3. Poignée filtre anti-graisse
4. Filtre anti-graisse

5.1.1 Commandes

Utiliser la puissance d'aspiration maximum en cas de concentration très importante des vapeurs de cuisson. Nous conseillons d'allumer le dispositif d'aspiration 5 minutes avant de commencer la cuisson et de le faire fonctionner encore pendant 15 minutes environ après avoir terminé la cuisson.

5.1.2 Description du panneau de commandes



1. Contrôle lumière
 - Mettre le contrôle lumière de OFF à HI pour une lumière plus forte lors de la cuisson.
2. Contrôle ventilateur
 - Mettre la vitesse du ventilateur de OFF à HI si nécessaire.

6 Nettoyage et entretien

6.1 Entretien



Avant toute opération de nettoyage ou d'entretien, débrancher la hotte du circuit électrique en enlevant la prise ou en coupant l'interrupteur général de l'habitation.

6.2 Nettoyage

- Ne pas vaporiser de nettoyants directement sur le panneau de contrôle lors du nettoyage de la Hotte. La hotte doit être régulièrement nettoyée à l'intérieur et à l'extérieur (au moins à la même fréquence que pour l'entretien des filtres à graisse). Pour le nettoyage, utiliser un chiffon humidifié avec un détergent liquide neutre. Ne pas utiliser de produit contenant des abrasifs. **NE PAS UTILISER D'ALCOOL!**



ATTENTION:

Il y a risque d'incendie si vous ne respectez pas les instructions concernant le nettoyage de l'appareil et le remplacement ou le nettoyage du filtre.

- La responsabilité du constructeur ne peut en aucun cas être engagée dans le cas d'un endommagement du moteur ou d'incendie liés à un entretien négligé ou au non respect des consignes de sécurité précédemment mentionnées.

6.3 Filtre à graisse

Il retient les particules de graisse issues de la cuisson.

Le filtre doit être nettoyé une fois par mois avec des détergents non agressifs, à la main ou dans le lave-vaisselle à faibles températures et cycle rapide.

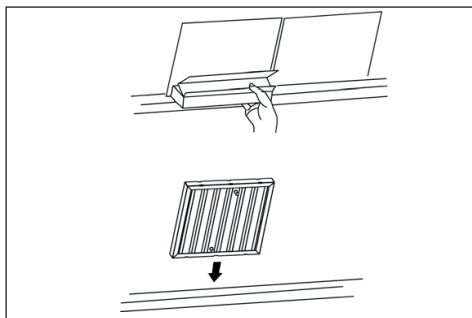
Le lavage du filtre anti-graisse métallique au lave-vaisselle peut en provoquer la décoloration. Toutefois, les caractéristiques de filtrage ne seront en aucun cas modifiées.

6.3.1 Enlever les filtres anti-graisses

- Pour enlever les filtres, attraper la poignée, soulever le filtre et le retirer.

6.3.2 Installer les filtres anti-graisses

- Placer les grilles du filtre à l'arrière de la hotte.
- Insérer le filtre anti-graisses dans l'ouverture et mettre dans les grilles.



6.4 Remplacement des ampoules

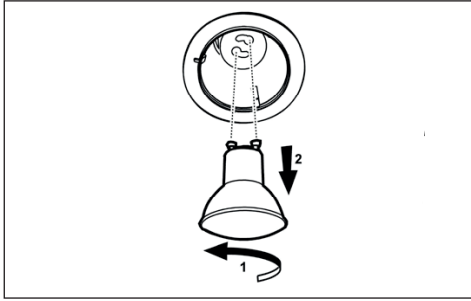


Avant de remplacer les lampes, couper le courant au niveau de la boîte à fusible et verrouiller cette dernière pour prévenir tout risque qu'on remette le courant accidentellement.



Couper l'aspiration et les lampes. Laisser les lampes refroidir avant de les manipuler. Si les nouvelles ampoules ne fonctionnent pas, s'assurer qu'elles sont insérées correctement avant d'appeler le service clientèle.

6 Nettoyage et entretien



Remplacer les ampoules

- Enlever l'ampoule défectueuse (tourner dans le sens inverse des aiguilles d'une montre) et la remplacer avec une nouvelle ampoule halogène de 120 Volt, 50 Watt (maximum), 50° prévue pour une base GU10, et convenant pour une utilisation dans les lampadaires.

Clauses De Garantie Pour Le Blomberg

Appareils de cuisson

Les garanties offerte par Blomberg dans ces clauses ne s'appliquent qu'aux appareils de cuisson Blomberg (four muraux / plaques de cuissons) vendus à l'acheteur de départ ou au propriétaire aux Etats-Unis et au Canada. La garantie n'est pas transférable. Pour obtenir le service garantie, veuillez contacter notre distributeur le plus proche indiqué dans la liste par Etat. Vous devrez fournir le numéro de modèle de votre appareil de cuisson (fours muraux / plaques électriques), le numéro de série, le nom et l'adresse du fournisseur, le lieu et la date de l'achat / la date de l'installation. Cette garantie vous donne des droits légaux spécifiques et vous pouvez également bénéficier d'autres droits qui varient d'un Etat à l'autre.

Garantie limitée à 1 an * à partir de la date de la première installation. Blomberg réparera et remplacera sans frais pour le consommateur toute partie défectueuse des appareils de cuissons (fours muraux / plaques de cuisson) s'ils sont utilisés dans des conditions normales d'utilisation (la garantie est nulle si le produit est utilisé dans le commerce). Le service doit être effectué par un agent Blomberg agréé. **Dans le cas contraire la garantie est nulle.** (Les défauts d'apparence doivent être signalés dans les 10 jours ouvrables après l'installation)

Garantie limitée à 2 ans * ++ à partir de la date de la première installation (seulement pièces). Blomberg réparera et remplacera toute pièce sans frais pour le consommateur si le dommage ou le dysfonctionnement de ces pièces a été causé par des défauts matériels ou l'installation. L'appareil doit avoir été utilisé dans des conditions domestiques normales et non commercialement comme énoncé ci-dessous (Les frais de travail sont sous la responsabilité du consommateur)

Dégagements de garantie et exclusions. La garantie ne couvre pas les frais de service fourni par un agent agréé pour corriger l'installation, des problèmes électriques ou fournir des instructions sur l'utilisation des appareils de cuisson (fours muraux / plaques de cuisson). La garantie ne couvre pas non plus les défauts et dommages causés par des catastrophes naturelles (tempêtes, inondations, incendies, coulées de boue, etc.), les dommages causés par l'utilisation des appareils de cuisson (fours muraux / plaques de cuisson) à des fins autres que celles pour lesquelles ils ont été conçus, les utilisations erronées ou abusives, les accidents, altérations, l'installation incorrecte, la maintenance, les frais de transport, les appels au service en-dehors des heures normales de travail, le travail des agents non agréés.

L'appareil a été testé de manière exhaustive et est passé par des inspections de qualité officielles avant de quitter le lieu de production. Les termes de la garantie pour cet appareil domestique Blomberg ne sont pas valables si le produit est altéré, abîmé, modifié, si des pièces supplémentaires sont assemblées, fixées et réemballées par un service agréé, un prestataire de services, un fournisseur tiers, un revendeur ou d'autres personnes non-agrèées.

DANS LES LIMITES DE LA LOI, CETTE GARANTIE REMPLACE TOUTES LES GARANTIES EXPLICITES ET IMPLICITES, Y COMPRIS LES GARANTIES IMPLICITES DE MISE SUR LE MARCHE ET ADAPTATION A UN OBJECTIF PARTICULIER. BLOMBERG N'ASSUME PAR DE RESPONSABILITE CONCERNANT LA QUALITE DE CE PRODUIT AUTRE QUE CELLE FOURNIE DANS CES CLAUSES DE GARANTIE. BLOMBERG N'ASSUME PAS DE RESPONSABILITE CONCERNANT L'ADEQUATION DE CE PRODUIT A DES FINS PARTICULIERES AUTRES QUE CELLE NOTIFIEES DANS CES CLAUSES DE GARANTIE.

Blomberg n'assume aucune responsabilité pour des dommages accidentels ou indirects. De tels dommages incluent la perte de bénéfices, la perte d'économies ou de revenu, la perte d'utilisation de l'appareil de cuisson ou de tout équipement associé, les frais du capital, les frais de tout matériel de substitution, les installations ou services, le temps dépensé, les réclamations de parties tiers et les dommages à la propriété, mais ne sont pas limités à ces exemples. Du fait que certains Etats n'autorisent pas l'exclusion ou la restriction des dommages accidentels ou indirects, les restrictions ou exclusions peuvent ne pas s'appliquer à vous.

* la date d'installation doit faire référence soit à la date d'achat, soit à un délai de 5 jours ouvrables après la livraison du produit à domicile, selon la date la plus tardive.

++Les pièces remplacées seront identiques aux pièces originales + à leur garantie originale.

Pas d'autres garanties. Ces clauses de garantie constituent la garantie complète et exclusive du fabricant. Aucun employé de Blomberg ou d'une autre partie n'est autorisé à ajouter des clauses de garantie à celle mentionnée dans cette déclaration de garantie. Veuillez conserver cette carte de garantie, le manuel de l'utilisateur et votre ticket d'achat pour une utilisation future.

COMMENT OBTENIR LE SERVICE

Veuillez contacter le distributeur pour votre Etat ou Province, comme indiqué sur la liste des coordonnées des distributeurs ou appeler notre numéro gratuit au 1 800 459 9848 pour obtenir les références d'un service agréé Blomberg. 02 01

Blomberg[®]

seit 1883

www.blomberginternational.com

info@blomberginternational.com