



IN HARMONY WITH NATURE,
YOUR LIFE, AND YOU

Blomberg
seit 1883

30" Under Cabinet – Range Hood

BCHS30100SS



KEY FEATURES

- Tag Switches with LED Controls
- 250 CFM Suction Power with 3 Different Fan Speed Levels
- Direct Ducting with Charcoal Filter for Ductless Use Availability
- Washable Grease Filters

FINISH

Stainless Steel

DIMENSIONS (H X W X D)

4³/₄ x 30 x 20 in.
Max Height Range for Installation:
24" electric, 30" gas.

FEATURES

Hood Type	Standard
Control Type	Mechanical Control - Push Button
Hood Width	30 in.

PERFORMANCE

Intensive Setting (Booster)	No
No. of Power Levels	3
Number of Motors	2
Maximum Ventilation Capacity	408 cu. meters / hour
Minimum Ventilation Capacity	272 cu. meters / hour
Ventilation Capacities	272 - 340 - 408 cu. meters / hour
Maximum Noise Level (Sound Power)	62 dBA
Minimum Noise Level (Sound Power)	54 dBA
Noise Level (Sound Power)	54 - 59 - 62 dBA
Total Power Consumption	360 W

HOOD FEATURES

Type of Lighting	Halogen
No. of Lights	2
Power of Lights	50 W
Adjustable Illumination	No
No. of Grease Filters	2
Type Of Grease Filters	Metal - Cassette
Dishwasher Safe Filters	Yes
Charcoal Filter	Optional
No. of Necessary Charcoal Filters	2
Filter Saturation Indicator	No
Air Cleaning Function	No
Auto Shutdown	No
Remote Controller for Hood	No
Silent Kit Compatability	No
Child Lock	No
Special Functions	No
Locking Washer	No
Air Diverter (Recirculated Operation)	Yes
Flape (Ducted Operation)	Yes
Fitting Kit (Screws)	Yes
Reducer Flange (Ducting Spigot)	No
Wireless Connectivity (Hood)	No
Coating for Cleaning	No

DESIGN

Control Panel Design	Flat Panel
Control Panel Type	Metal
Hood Display Type	No
Display / LED Color	Blue
Body Color	Silver
Chimney Color	NA
Chimney Material	NA
Body Material	Painted Metal
Flat / Curved Glass Color	NA
Glass Visor	No

TECHNICAL INFORMATION

Voltage	120 V
Frequency	60 Hz
Plug Type	None

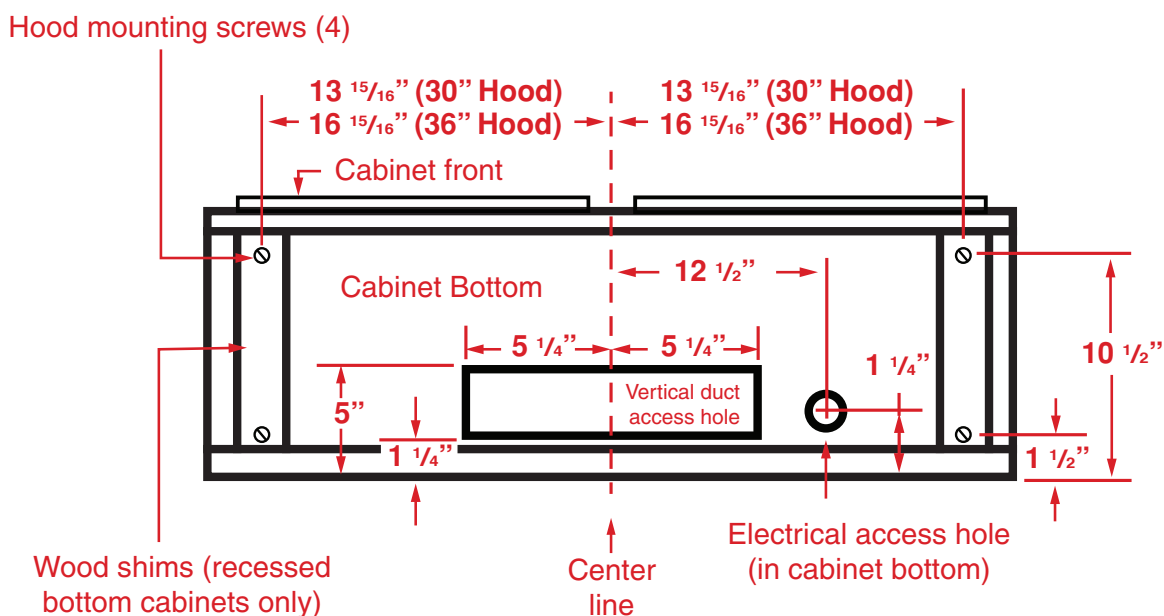
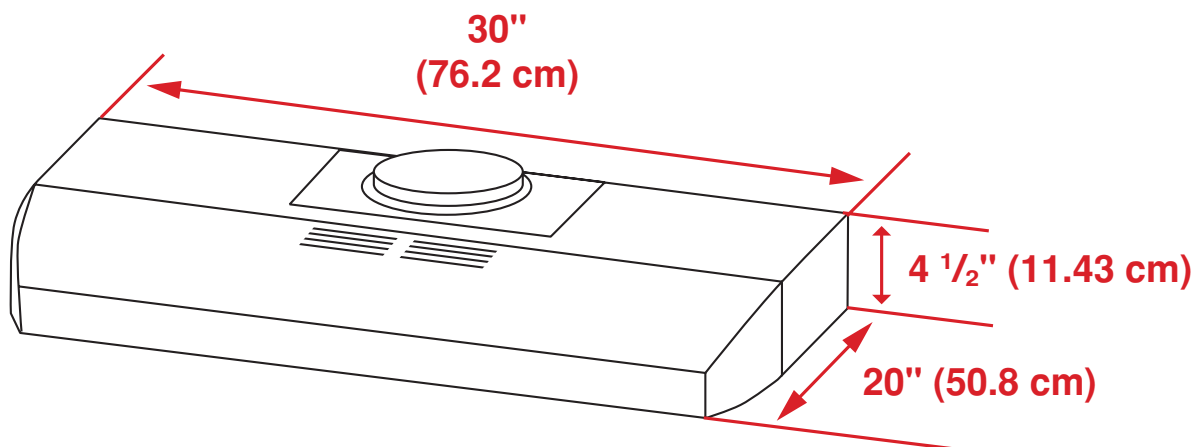
DIMENSIONS

H x W x D	4 ³ / ₄ x 30 x 20 in. (12.1 x 76 x 50.8 cm)
Product Weight	22 lbs. (10 kg)
Packed H x W x D	9 ¹ / ₆ x 34 x 24 ⁵ / ₆ in. (24.9 x 86.4 x 61.8 cm)
Packed Weight	29.5 lbs. (13.4 kg)

888.352.2356 | BlombergAppliances.com

© 2017 Beko US Inc. 11/21/17

Blomberg
seit 1883



NOTE TO THE INSTALLER: All height, width and depth dimensions are shown in inches (as well as metric). Beko US Inc. reserves the absolute and unrestricted right to change product materials and specifications, at any time, without notice. Please visit our website www.beko.us or call 888 352 2356 to verify the latest specifications with final dimensional data and other details prior to installation and making a cutout. Applicable product limited warranty information may be found in accompanying product materials or you may contact your account manager for further details. Proper installation is the responsibility of the installer. Product failure due to improper installation is not covered under the Limited Warranty.

IN HARMONY WITH NATURE, YOUR LIFE, AND YOU