

DWS 54100 Series - 18" Slim Dishwasher

8 Place settings
Top control with digital LCD display



Main Features

- 4 programs
- 3 wash temperatures
- Hot air drying
- 50 dBA noise level
- Digital program follow-up display
- Time delay up to 9:30 hrs.
- Allin1 tablet detergent function
- 1/2 Load function
- 3 way euro filtering system
- smartFIT™ front adjustable rear feet
- smartBALANCE™ front adjustable hinge system
- Power plug

Interior design

- All stainless steel tank
- Three spray arms (lower, upper baskets plus ceiling)

Premium rack loading system

- FlexiRack™ loaded adjustable upper rack
- 4 adjustable mug shelves
- Removable cutlery basket
- smartFOLD™ plate supports on lower rack

Color

- DWS 54100 SS: Stainless steel
- DWS 54100 FBI: Fully integrated - panel ready



Features



8 place settings

8 Place settings

18" Blomberg dishwashers can perfectly clean dishes upto 8 place settings without leaving any piece of cutlery out.



double motion float system

Double motion float system

All Blomberg dishwashers have a double motion float system (DMFS) that provides maximum security against water damage and a bottom tray to prevent flooding.



digital display

Digital display

The electronic display is a quick and easy way to select your programs. Additionally, models with top control panel with numerical display offer a noise level adjustable "end of cycle audible signal". Hidden control panel prevents your children from changing programs and playing with your dishwasher.



5 level wash

5 Level wash

The 5 level wash system ensures immaculately clean dishes by spraying water from every direction.



silent wash

Silent wash

By utilizing three layers of insulation including bituminous material, cotton insulation and side walls and with its advanced motor technology Blomberg dishwashers are among the quietest models in the market.

ALLIN1

Blomberg dishwashers provide the best performance with all types of compact detergents.

Blomberg
seit 1883

DWS 54100 Series - 18" Slim Dishwasher

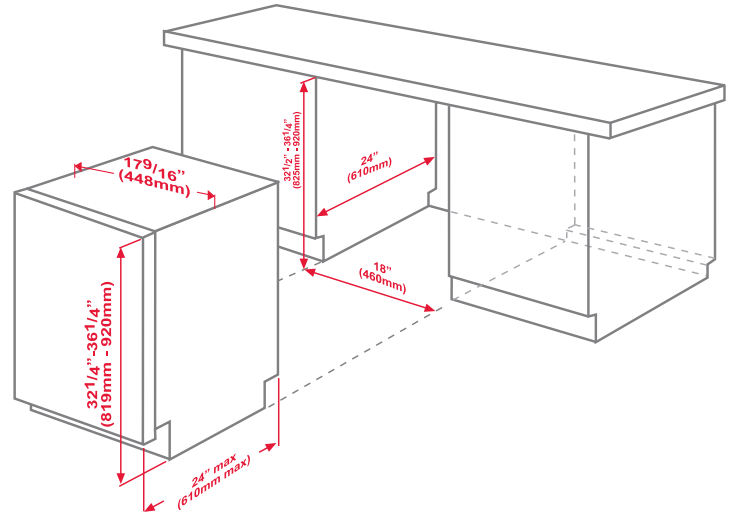
8 Place settings
Top control with digital LCD display

SPECIFICATIONS

DWS 54100 Series

CONTROLS	
Control Type	Electronic
Position	Top
MAIN FEATURES	
Loading Capacity (place settings)	8
Tube material	Stainless Steel
Inner door material	Stainless Steel
Water Softener	-
DMFS overflow protection	✓
5 level wash with 3 spray arms	✓
Delay timer up to 9:30 hrs	✓
3 way euro filter	✓
Drying	Hot-air drying
Turbidity sensor	✓
Noise level, dBA	50 dBA
Allin1 Tablet function	✓
1/2 Load function	✓
SmartPIN™ joint	-
Power Plug	✓
PROGRAMS	
Number of programs	4
Rinse & Hold	-
Quick wash (131°F rinse temp)	✓
China/crystal (149°F rinse temp)	✓
Regular wash (142°F-145°F rinse temp)	✓
Pots and pans plus (167°F rinse temp)	✓
DISPLAY	
Program sequence	✓ / LCD Display
Rinse aid indicator	Electronic
Rinse aid indicator display	✓
Salt indicator display	-
RACK SYSTEM	
smartFOLD lower rack folding tines	✓
Lower rack embossed stainless handle	✓
Cutlery basket	18" Standard
Upper rack (inset shelves)	4
smartFOLD, upper rack folding tines	✓
FlexiRack, adjustable upper rack	Loaded
Nylon coated racks	✓
DIMENSIONS	
Packed (HxWxD)	in 34 3/8 x 19 3/8 x 26
	cm 85.9 x 49.4 x 66.1
Packed Weight	(lb/kg) 75/34
Unpacked (HxWxD)	in 32 1/4 x 17 9/16 x 21 5/8
	cm 82 x 44.8 x 54.8
Unpacked Weight	(lb/kg) 69/31.5
ENVIRONMENTAL STANDARDS	
Energy Star qualified	✓
Energy consumption, kWh/year	210
Water consumption, gal/cycle	2.54-4.07
RoHS* compliant	✓

* Lead-free



DWS 54100 FBI Front Panel Installation Dimensions

Height of panel door : 28" (711mm)
Recommended width : 17 3/8" to 17 5/8" (442mm to 448mm)
Thickness : 3/4" (19mm)

