



IN HARMONY WITH NATURE,
YOUR LIFE, AND YOU.

Blomberg
seit 1883

24" Tall Tub, Front Control Dishwasher

DWT51600 SERIES

Color Options: DWT51600SS Stainless Steel DWT51600W White DWT51600FBI Panel Ready



PROGRAMS

- Pots and Pans+ (167°F)
- Auto Program (131–149°F)
- Regular Wash (142–145°F)
- Daily Wash
- China/Crystal (149°F)
- Quick Wash (131°F)
- Sanitize Function
- Extra Rinse Function
- RapidClean Function
- Rinse & Hold

FEATURES

- Top Control
- 6 Cycles
- Silent Operation: 48 dBA

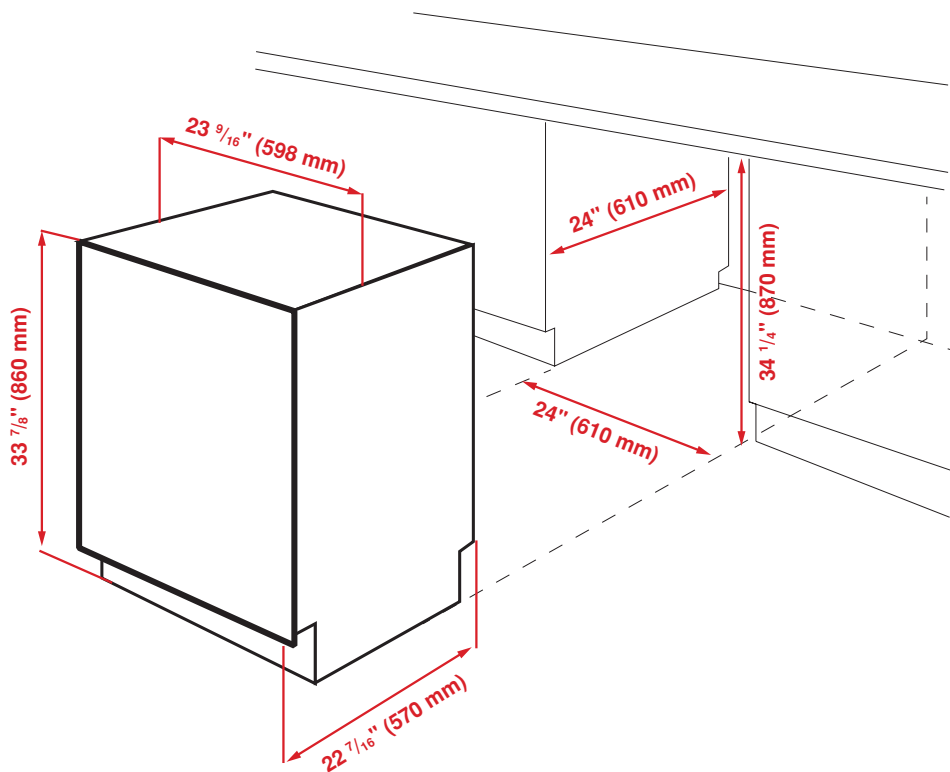
FINISH

Fingerprint-free Stainless Steel

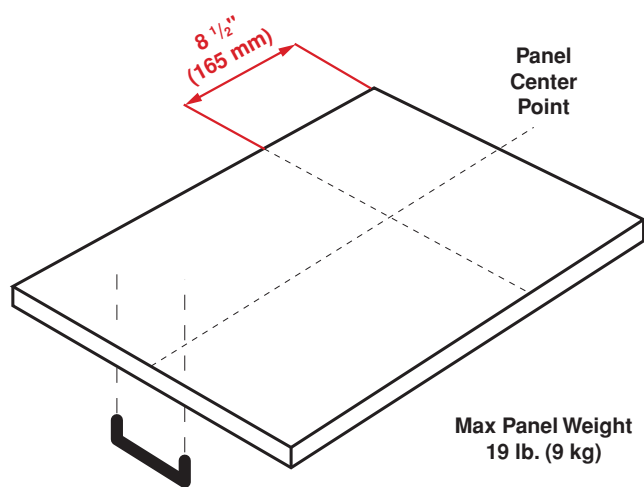
DIMENSIONS (H x W x D)

33⁷/₈ x 23⁹/₁₆ x 22⁷/₁₆ in.

CONTROLS	
Control Type	Electronic
Position	Top
MAIN FEATURES	
Loading Capacity (Place Settings)	14
Tub Material	Stainless Steel
DMFS Overflow Protection	Overflow Safety
5 Level Wash with 3 rd Spray Arm	3
Delay Timer	1/2 – 24 hours
Drying System	Static
Brushless DC™ Motor	Yes
Turbidity Sensor	Yes
Silent Operation	48 dBA
All-in-1 Tablet Function	Automatic
Half Load Function	Yes
Sanitize Function	Yes
Extra Rinse Function	Yes
RapidClean Function	Yes
ProCare	Yes
Interior High Loop with Air Gap	Yes
PROGRAMS	
Number of Programs	6
Pots and Pans+ (167°F)	Yes
Auto Program (131 – 149°F)	Yes
Regular Wash (142 – 145°F)	Yes
Daily Wash	Yes
China/Crystal (149°F)	Yes
Quick Wash (131°F)	Yes
Rinse & Hold	Yes
DISPLAY	
Rinse Aid Indicator	Yes
LED Spot	Yes
RACK SYSTEM	
Cutlery Basket	Sliding
Upper Rack (Inset Shelves)	2
FlexiRack Adjustable Upper Rack	Fixed
Lower Basket Wine Glass Holder	Knife Accessory
Detergent Dispenser Type	Sliding Lid (Vertical)
DIMENSIONS (DWT51600SS)	
H x W x D	33 ⁷ / ₈ x 23 ⁹ / ₁₆ x 22 ⁷ / ₁₆ in. (86.1 x 59.8 x 57 cm)
Product Weight	87.08 lb. (39.5 kg)
Packed H x W x D	35 x 25 ³ / ₈ x 26 in. (88.9 x 64.4 x 66.1 cm)
Packed Weight	93.69 lb. (42.5 kg)
ENVIRONMENTAL STANDARDS	
ENERGY STAR® Qualified	Yes — Most Energy Efficient 2018
Energy Consumption	234 kWh / year
Water Consumption	3.5 – 5.0 gal. / cycle



Panel Ready Requirements:



DIMENSIONS (DWT51600SS)	
H x W x D	33 7/8 x 23 9/16 x 22 7/16 in. (86.1 x 59.8 x 57 cm)
Product Weight	87.08 lb. (39.5 kg)
Packed H x W x D	35 x 25 3/8 x 26 in. (88.9 x 64.4 x 66.1 cm)
Packed Weight	93.69 lb. (42.5 kg)

DIMENSIONS (DWT51600FBI)	
H x W x D	33 7/8 x 23 9/16 x 21 2/2 in. (86.1 x 59.8 x 57 cm)
Product Weight	83.55 lb. (37.9 kg)
Packed H x W x D	35 x 25 3/8 x 26 in. (88.9 x 64.4 x 66.1 cm)
Packed Weight	90.16 lb. (40.9 kg)

DIMENSIONS (DWT51600W)	
H x W x D	33 7/8 x 23 9/16 x 22 7/16 in. (86.1 x 59.8 x 57 cm)
Product Weight	87.08 lb. (39.5 kg)
Packed H x W x D	35 x 25 3/8 x 26 in. (88.9 x 64.4 x 66.1 cm)
Packed Weight	93.69 lb. (42.5 kg)

NOTE TO THE INSTALLER: All height, width, and depth dimensions are shown in inches (as well as metric). Beko US Inc. reserves the absolute and unrestricted right to change product materials and specifications, at any time, without notice. Please visit our website at www.BlombergAppliances.com or call 888.352.2356 to verify the latest specifications with final dimensional data and other details prior to installation and making a cutout. Applicable product limited warranty information may be found in accompanying product materials, or you may contact your account manager for further details. Proper installation is the responsibility of the installer. Product failure due to improper installation is not covered under the Limited Warranty.

IN HARMONY WITH NATURE, YOUR LIFE, AND YOU.