

Refrigerator  
Réfrigérateur  
Refrigerador

# BRFB1044SS

<b>EN</b>	<b>Instruction for use</b>
<b>FR</b>	<b>Notice d'utilisation</b>
<b>ES</b>	<b>Instrucciones de uso</b>

# **Blomberg**



Please read this user manual first!

Dear Customer,

We hope that your product, which has been produced in modern plants and checked under the most meticulous quality control procedures, will provide you an effective service.

Therefore, read this entire user manual carefully before using the product and keep it as a reference. If you handover the product to someone else, give the user manual as well.

**The user manual will help you use the product in a fast and safe way.**

- Read the manual before installing and operating the product.
- Make sure you read the safety instructions.
- Keep the manual in an easily accessible place as you may need it later.
- Read the other documents given with the product.

Remember that this user manual is also applicable for several other models. Differences between models will be identified in the manual.

**Explanation of symbols**

**Throughout this user manual the following symbols are used:**

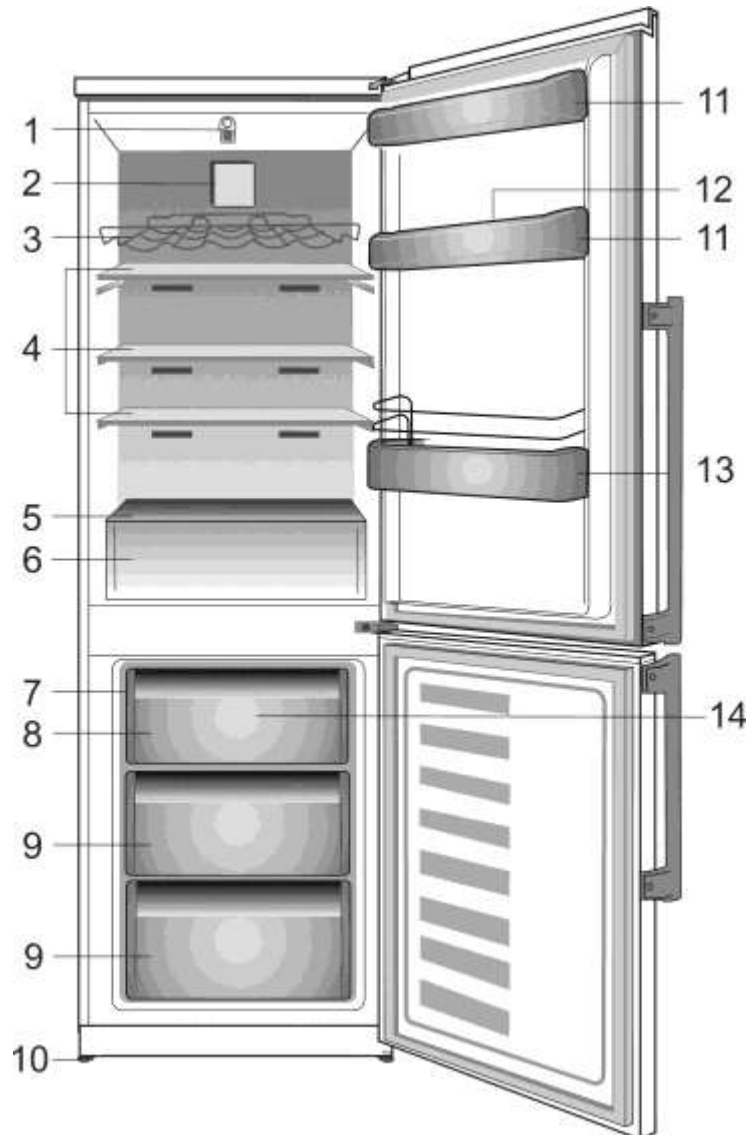
- C Important information or useful tips.
- A Warning against dangerous conditions for life and property.
- B Warning against electric voltage.

# CONTENTS

---

<b><u>1 Your refrigerator</u></b>	<b><u>3</u></b>	<b><u>4 Preparation</u></b>	<b><u>12</u></b>
<b><u>2 Important Safety Warnings</u></b>	<b><u>4</u></b>	<b><u>5 Using your refrigerator</u></b>	<b><u>13</u></b>
Intended use.....	4	Thermostat setting button.....	13
General safety.....	4	Freezing fresh food.....	14
For products with a water dispenser.....	6	Recommendations for preservation of frozen food.....	15
Child safety.....	6	Recommendations for the fresh food compartment.....	15
Compliance with the WEEE Regulation and Disposing of the Waste Product.....	6	Reversing the doors.....	16
Package information.....	7	<b><u>6 Maintenance and cleaning</u></b>	<b><u>17</u></b>
HCA warning.....	7	Avoiding bad odours.....	17
Things to be done for energy saving.....	8	Protection of plastic surfaces .....	17
<b><u>3 Installation</u></b>	<b><u>9</u></b>	<b><u>7 Troubleshooting</u></b>	<b><u>18</u></b>
Points to be paid attention to when the relocation of the refrigerator.....	9		
Before you start the refrigerator,.....	9		
Electrical connection.....	10		
Disposing of the packaging.....	10		
Disposing of your old refrigerator.....	10		
Placing and Installation.....	10		
Changing the illumination lamp .....	11		
Adjusting the legs.....	11		

# 1 Your refrigerator



- |  |                           |
|--|---------------------------|
| 1. Setting knob and interior light       | 10. Adjustable front feet |
| 2. Fresh Food fan                        | 11. Shelf for jars        |
| 3. Wine bottles support                  | 12. Egg tray              |
| 4. Adjustable Cabinet shelves            | 13. Shelf for bottles     |
| 5. Cover glass                           | 14. Freezer fan           |
| 6. Salad crispers                        |                           |
| 7. Ice tray support & ice tray           |                           |
| 8. Compartment for quickly freezing      |                           |
| 9. Compartments for frozen foods keeping |                           |

C Figures that take place in this instruction manual are schematic and may not correspond exactly with your product. If the subject parts are not included in the product you have purchased, then it is valid for other models.

## 2 Important Safety Warnings

Please review the following information. Failure to observe this information may cause injuries or material damage. Otherwise, all warranty and reliability commitments will become invalid.

The service life of your product is 10 years. During this period, original spare parts will be available to operate the product properly.

### Intended use

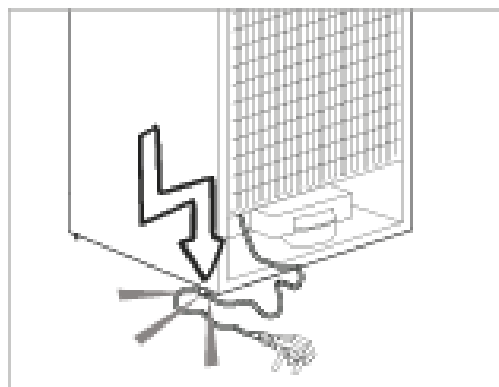
This product is intended to be used

- indoors and in closed areas such as homes;
- in closed working environments such as stores and offices;
- in closed accommodation areas such as farm houses, hotels, pensions.
- It should not be used outdoors.

### General safety

- When you want to dispose/scrap the product, we recommend you to consult the authorized service in order to learn the required information and authorized bodies.
- Consult your authorized service for all your questions and problems related to the refrigerator. Do not intervene or let someone intervene to the refrigerator without notifying the authorised services.
- For products with a freezer compartment; Do not eat cone ice cream and ice cubes immediately after you take them out of the freezer compartment! (This may cause frostbite in your mouth.)
- For products with a freezer compartment; Do not put bottled and canned liquid beverages in the freezer compartment. Otherwise, these may burst.
- Do not touch frozen food by hand; they may stick to your hand.
- Unplug your refrigerator before cleaning or defrosting.
- Vapor and vaporized cleaning materials should never be used in cleaning and defrosting processes of your refrigerator. In such cases, the vapor may get in contact with the electrical parts and cause short circuit or electric shock.
- Never use the parts on your refrigerator such as the door as a means of support or step.
- Do not use electrical devices inside the refrigerator.
- Do not damage the parts, where the refrigerant is circulating, with drilling or cutting tools. The refrigerant that might blow out when the gas channels of the evaporator, pipe extensions or surface coatings are punctured causes skin irritations and eye injuries.
- Do not cover or block the ventilation holes on your refrigerator with any material.
- Electrical devices must be repaired by only authorised persons. Repairs performed by incompetent persons create a risk for the user.

- In case of any failure or during a maintenance or repair work, disconnect your refrigerator's mains supply by either turning off the relevant fuse or unplugging your appliance.
- Do not pull by the cable when pulling off the plug.
- Place the beverage with higher proofs tightly closed and vertically.
- Never store spray cans containing flammable and explosive substances in the refrigerator.
- Do not use mechanical devices or other means to accelerate the defrosting process, other than those recommended by the manufacturer.
- This product is not intended to be used by persons with physical, sensory or mental disorders or unlearned or inexperienced people (including children) unless they are attended by a person who will be responsible for their safety or who will instruct them accordingly for use of the product.
- Do not operate a damaged refrigerator. Consult with the service agent if you have any concerns.
- Electrical safety of your refrigerator shall be guaranteed only if the earth system in your house complies with standards.
- Exposing the product to rain, snow, sun and wind is dangerous with respect to electrical safety.
- Contact authorized service when there is a power cable damage to avoid danger.
- Never plug the refrigerator into the wall outlet during installation. Otherwise, risk of death or serious injury may arise.
- This refrigerator is intended for only storing food items. It must not be used for any other purpose.
- Label of technical specifications is located on the left wall inside the refrigerator.
- Never connect your refrigerator to electricity-saving systems; they may damage the refrigerator.
- If there is a blue light on the refrigerator, do not look at the blue light with optical tools.
- For manually controlled refrigerators, wait for at least 5 minutes to start the refrigerator after power failure.
- This operation manual should be handed in to the new owner of the product when it is given to others.
- Avoid causing damage on power cable when transporting the refrigerator. Bending cable may cause fire. Never place heavy objects on power cable.
- Do not touch the plug with wet hands when plugging the product.



- Do not plug the refrigerator if the wall outlet is loose.
- Water should not be sprayed on inner or outer parts of the product for safety purposes.

- Do not spray substances containing inflammable gases such as propane gas near the refrigerator to avoid fire and explosion risk.
- Never place containers filled with water on top of the refrigerator; in the event of spillages, this may cause electric shock or fire.
- Do not overload the refrigerator with food. If overloaded, the food items may fall down and hurt you and damage refrigerator when you open the door.
- Never place objects on top of the refrigerator; otherwise, these objects may fall down when you open or close the refrigerator's door.
- As they require a precise temperature, vaccines, heat-sensitive medicine and scientific materials and etc. should not be kept in the refrigerator.
- If not to be used for a long time, refrigerator should be unplugged. A possible problem in power cable may cause fire.
- The plug's tip should be cleaned regularly with a dry cloth; otherwise, it may cause fire.
- Refrigerator may move if adjustable legs are not properly secured on the floor. Properly securing adjustable legs on the floor can prevent the refrigerator to move.
- When carrying the refrigerator, do not hold it from door handle. Otherwise, it may be snapped.
- When you have to place your product next to another refrigerator or freezer, the distance between devices should be at least 8cm. Otherwise, adjacent side walls may be humidified.

## For products with a water dispenser;

Pressure of water mains should be minimum 1 bar. Pressure of water mains should be maximum 8 bars.

- Use only potable water.


## Child safety

- If the door has a lock, the key should be kept away from reach of children.
- Children must be supervised to prevent them from tampering with the product.

**A DANGER:** Risk of child entrapment. Before you throw away your old refrigerator or freezer : Take off the doors. Leave the shelves in place so that children may not easily climb inside.

## Compliance with the WEEE Regulation and Disposing of the Waste Product



The symbol  on the product or on packaging indicates that this product may not be treated as household waste. Instead it shall be handed over to the applicable collection point for the recycling of electrical and electronic equipment. By ensuring this product is disposed of correctly, you will help prevent potential negative consequences for the environment and human health, which could otherwise be caused by inappropriate waste handling of this product. For more detailed information about recycling of this product, please contact your local city office, your household waste disposal service or the shop where you purchased the product.



## Package information

Packaging materials of the product are manufactured from recyclable materials in accordance with our National Environment Regulations. Do not dispose of the packaging materials together with the domestic or other wastes. Take them to the packaging material collection points designated by the local authorities.

### Do not forget...

Any recycled substance is an indispensable matter for nature and our national asset wealth.

If you want to contribute to the reevaluation of the packaging materials, you can consult to your environmentalist organizations or the municipalities where you are located.

## HCA warning

### If your product's cooling system contains R600a:

This gas is flammable. Therefore, pay attention to not damaging the cooling system and piping during usage and transportation. In the event of damage, keep your product away from potential fire sources that can cause the product catch a fire and ventilate the room in which the unit is placed.

Type of gas used in the product is stated in the type label which is on the left wall inside the refrigerator.

Never throw the product in fire for disposal.

**A DANGER** - Risk Of Fire or Explosion. Flammable Refrigerant Used. Do Not Use Mechanical Devices To Defrost Refrigerator. Do Not Puncture Refrigerant Tubing”.

**A DANGER** - Risk Of Fire Or Explosion. Flammable Refrigerant Used. To Be Repaired Only By Trained Service Personnel. Do Not Puncture Refrigerant Tubing”.

**A CAUTION** - Risk Of Fire Or Explosion. Flammable Refrigerant Used. Consult Repair Manual/Owner’s Guide Before Attempting To Service This Product. All Safety Precautions Must be Followed.

**A CAUTION** - Risk Of Fire Or Explosion. Dispose Of Properly In Accordance With Federal Or Local Regulations. Flammable Refrigerant Used.

**A CAUTION** - Risk Of Fire Or Explosion Due To Puncture Of Refrigerant Tubing; Follow Handling Instructions Carefully. Flammable Refrigerant Used”.

## Things to be done for energy Saving

- Do not leave the doors of your refrigerator open for a long time.
- Do not put hot food or drinks in your refrigerator.
- Do not overload your refrigerator so that the air circulation inside of it is not prevented.
- Do not install your refrigerator under direct sunlight or near heat emitting appliances such as ovens, dishwashers or radiators. Keep your refrigerator at least 30cm away from heat emitting sources and at least 5cm from electrical ovens.
- Pay attention to keep your food in closed containers.
- You can load maximum amount of food to the freezer compartment of the refrigerator by removing the freezer compartment drawers. Declared energy consumption value of the refrigerator was determined with the freezer compartment drawers removed. There is no risk in using a shelf or drawer suitable for the shapes and sizes of the foods to be frozen.
- Thawing frozen food in fridge compartment will both provide energy saving and preserve the food quality.

○ Inside of your refrigerator must be cleaned thoroughly.

### 3 Installation

B In case the information which are given in the user manual are not taken into account, manufacturer will not assume any liability for this.

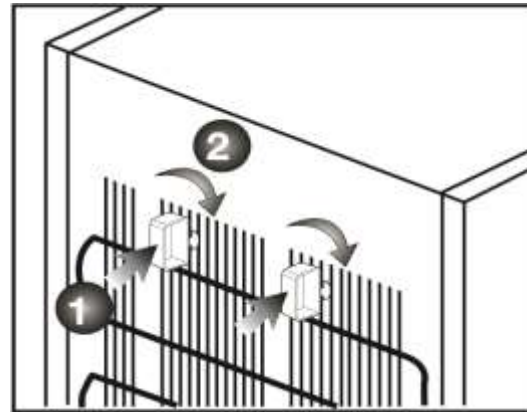
#### Points to be paid attention to when the relocation of the refrigerator

1. Your refrigerator should be unplugged. Before transportation of your refrigerator, it should be emptied and cleaned.
2. Before it is re-packaged, shelves, accessories, crisper, etc. inside your refrigerator should be fixed with adhesive tape and secured against impacts. Package should be bound with a thick tape or sound ropes and the transportation rules on the package should be strictly observed.
3. Original packaging and foam materials should be kept for future transportations or moving.

#### Before you start the refrigerator,

Check the following before you start to use your refrigerator:

1. Attach 2 plastic wedges as illustrated below. Plastic wedges are intended to keep the distance which will ensure the air circulation between your refrigerator and the wall. (The picture is drawn up as a representation and it is not identical with your product.)



2. Clean the interior of the refrigerator as recommended in the “Maintenance and cleaning” section.
3. Connect the plug of the refrigerator to the wall socket. When the fridge door is opened, fridge internal lamp will turn on.
4. When the compressor starts to operate, a sound will be heard. The liquid and gases sealed within the refrigeration system may also give rise to noise, even if the compressor is not running and this is quite normal.
5. Front edges of the refrigerator may feel warm. This is normal. These areas are designed to be warm to avoid condensation.

## Electrical connection

Connect your product to a grounded socket which is being protected by a fuse with the appropriate capacity. Important:

The connection must be in compliance with national regulations.

- The power plug must be easily accessible after installation.
- Electrical safety of your refrigerator shall be guaranteed only if the earth system in your house complies with standards.
- The voltage stated on the label located at left inner side of your product should be equal to your network voltage.
- **Extension cables and multi plugs must not be used for connection.**

**B** A damaged power cable must be replaced by a qualified electrician.

**B** Product must not be operated before it is repaired! There is the risk of electric shock!

## Disposing of the packaging

The packing materials may be dangerous for children. Keep the packing materials out of the reach of children or dispose of them by classifying them in accordance with the waste instructions stated by your local authorities. Do not throw away with regular house waste, throw away on packaging pick up spots designated by the local authorities.

The packing of your refrigerator is produced from recyclable materials.

## Disposing of your old Refrigerator

Dispose of your old refrigerator without giving any harm to the environment.

- You may consult your authorized dealer or waste collection center of your municipality about the disposal of your refrigerator.

Before disposing of your refrigerator, cut out the electric plug and, if there are any locks on the door, make them inoperable in order to protect children against any danger.

## Placing and Installation

**A** If the entrance door of the room where the refrigerator will be installed is not wide enough for the refrigerator to pass through, then call the authorized service to have them remove the doors of your refrigerator and pass it sideways through the door.

1. Install your refrigerator to a place that allows ease of use.
2. Keep your refrigerator away from heat sources, humid places and direct sunlight.
3. There must be appropriate air ventilation around your refrigerator in order to achieve an efficient operation. If the refrigerator is to be placed in a recess in the wall, there must be at least 5 cm distance with the ceiling and at least 5 cm with the wall. Do not place your product on the materials such as rug or carpet.
4. Place your refrigerator on an even floor surface to prevent jolts.

## Changing the illumination Lamp

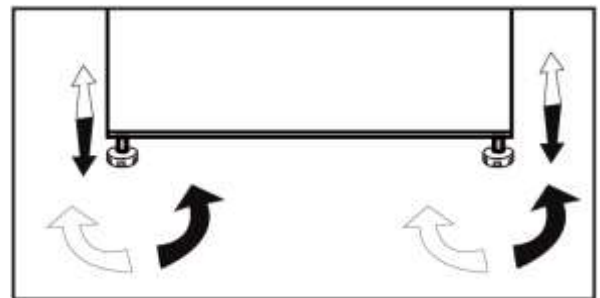
To change the Bulb/LED used for illumination of your refrigerator, call your Authorized Service.

The lamp(s) used in this appliance is not suitable for household room illumination. The intended purpose of this lamp is to assist the user to place foodstuffs in the refrigerator/freezer in a safe and comfortable way.

The lamps used in this appliance have to withstand extreme physical conditions such as temperatures below  $-20^{\circ}\text{C}$ .

## Adjusting the legs

If your refrigerator is unbalanced; You can balance your refrigerator by turning its front legs as illustrated in the figure. The corner where the leg exists is lowered when you turn in the direction of black arrow and raised when you turn in the opposite direction. Taking help from someone to slightly lift the refrigerator will facilitate this process.

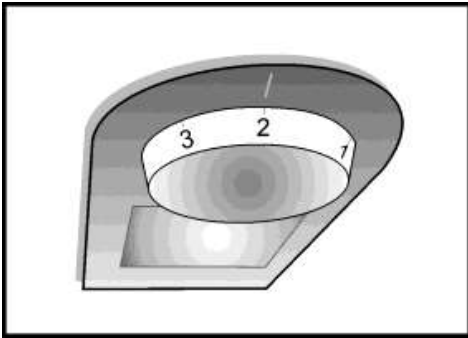


## 4 Preparation

---

- Your refrigerator should be installed at least 30 cm away from heat sources such as hobs, ovens, central heater and should not be located under direct sunlight.
- Please make sure that the interior of your refrigerator is cleaned thoroughly.
- If two refrigerators are to be installed side by side, there should be at least 2 cm distance between them.
- When you operate your refrigerator for the first time, please observe the following instructions during the initial six hours.
- The door should not be opened frequently.
- It must be operated empty without any food in it.
- Do not unplug your refrigerator. If a power failure occurs out of your control, please see the warnings in the “Recommended solutions for the problems” section.
- This product has been designed to function at ambient temperatures up to 43 °C (110 °F).

## 5 Using your refrigerator



### Thermostat setting button

The interior temperature of your refrigerator changes for the following reasons;

- Seasonal temperatures,
- Frequent opening of the door and leaving the door open for long periods,
- Food put into the refrigerator without cooling down to the room temperature,
- The location of the refrigerator in the room (e.g. exposing to sunlight).
- You may adjust the varying interior temperature due to such reasons by using the thermostat.

Operating temperatures are controlled by the thermostat knob and may be set at any position between 0 and 5 (the coldest position).

The average temperature inside the fridge should be around  $+5^{\circ}\text{C}$  ( $+41^{\circ}\text{F}$ ). Therefore adjust the thermostat to obtain the desired temperature. Some sections of the fridge may be cooler or warmer (such as salad crisper and top part of the cabinet) which is quite normal. We recommend that you check the temperature periodically with a thermometer to ensure that the cabinet is kept to this temperature. Frequent door openings cause internal temperatures to rise, so it is advisable to close the door as soon as possible after use.

## Freezing fresh food

- It must be preferred to wrap or cover the food before placing them in the refrigerator.
- Hot food must cool down to the room temperature before putting them in the refrigerator.
- The foodstuff that you want to freeze must be fresh and in good quality.
- Foodstuff must be divided into portions according to the family's daily or meal based consumption needs.
- The foodstuff must be packaged in an airtight manner to prevent them from drying even if they are going to be kept for a short time.
- Materials to be used for packaging must be tear-proof and resistant to cold, humidity, odor, oils and acids and they must also be airtight. Moreover, they must be well closed and they must be made from easy-to-use materials that are suitable for deep freeze usage.
- Frozen food must be used immediately after they are thawed and they should never be re-frozen.
- Please observe the following instructions to obtain the best results.
  1. Do not freeze too large quantities of food at one time. The quality of the food is best preserved when it is frozen right through to the core as quickly as possible.
  2. Placing warm food into the freezer compartment causes the cooling system to operate continuously until the food is frozen solid.
  3. Take special care not to mix already frozen food and fresh food.
- Hot food and beverages must cool down to the room temperature before putting them in the refrigerator.
- Maximum frozen food storage volume is achieved without using the drawers and the upper shelf cover provided in the freezer compartment. Energy consumption of your appliance is declared while the freezer compartment is fully loaded on shelves without the use of the drawers and upper shelf cover.
- If there is a power failure do not open the freezer door. Even if the power failure lasts up to the "Temperature Increasing Time" indicated in the "Technical specifications of your refrigerator" section, frozen food will not be affected. In case the failure lasts longer, the food must be checked and when necessary, must be consumed immediately or must be frozen after cooked.
- Please pay attention to the expiry date, maximum allowed storage period and recommended storage temperature of foodstuffs when purchased. If expiry date is passed, do not consume.



## Recommendations for preservation of frozen food

Prepacked commercially frozen food should be stored in accordance with the frozen food manufacturer's instructions for a **\*\*\*\*** ( 4 star) frozen food storage compartment.

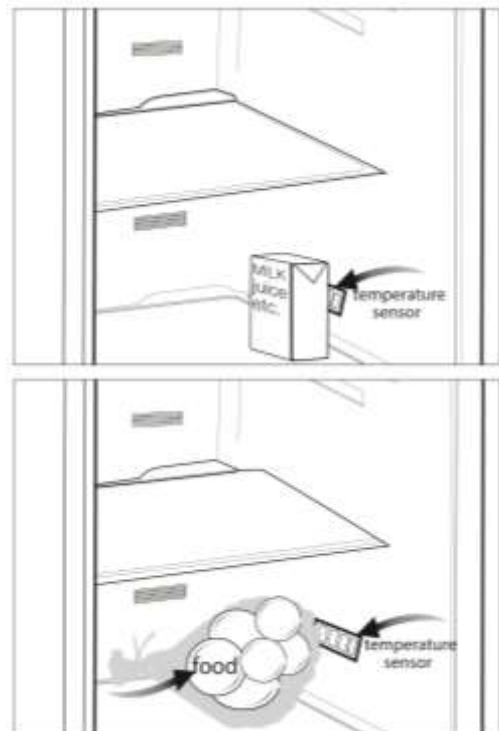
- To ensure that the high quality achieved by the frozen food manufacturer and the food retailer is maintained, the following should be remembered:

1. Put packages in the freezer as quickly as possible after purchase.
2. Ensure that contents are labeled and dated.
3. Do not exceed "Use By", "Best Before" dates on the packaging.

## Recommendations for the fresh food compartment

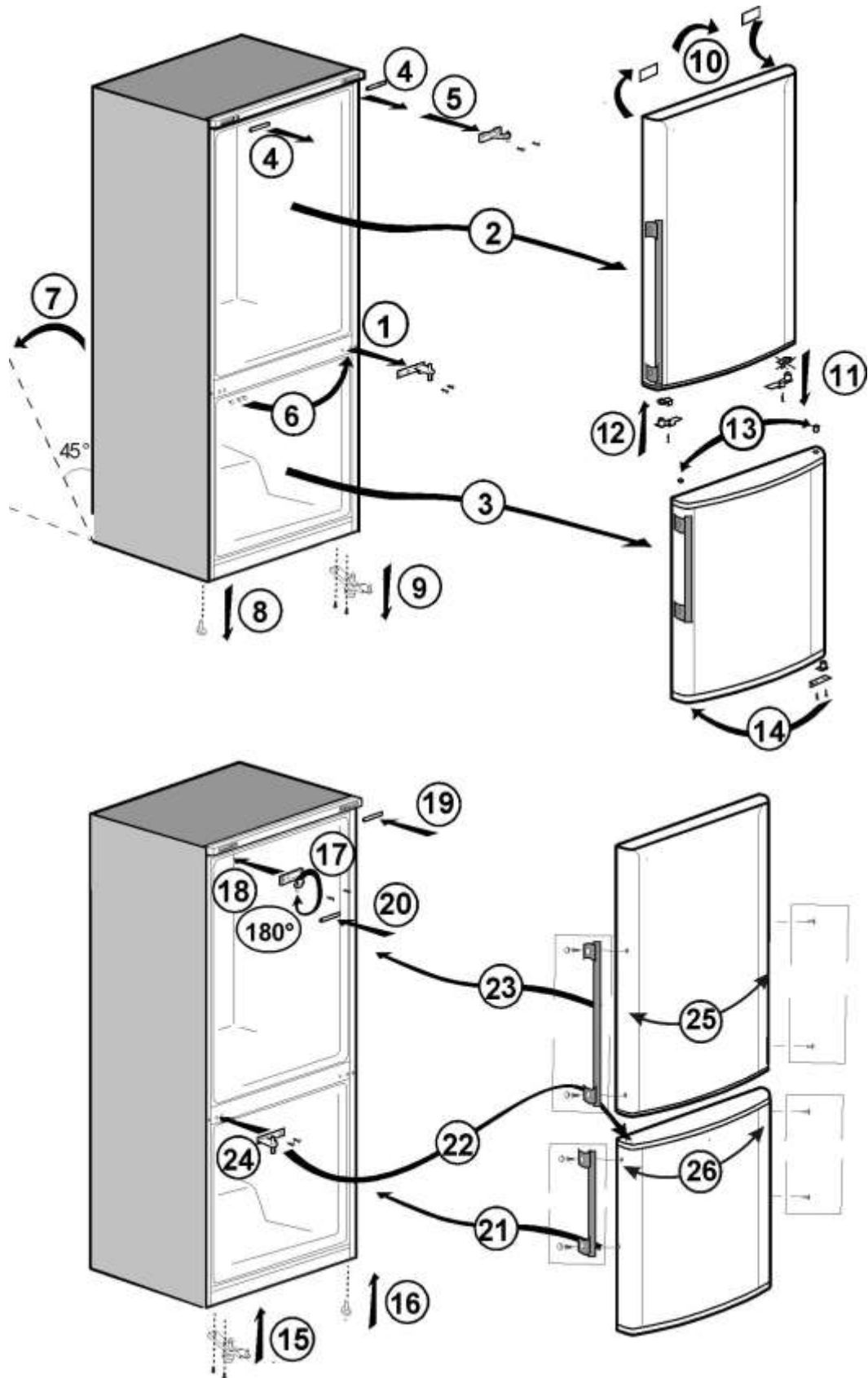
### \*optional

- Do not allow the food to touch the temperature sensor in fresh food compartment. To allow the fresh food compartment keep its ideal storage temperature, sensor must not be hindered by food.
- Do not place hot foods in the product.



## Reversing the doors

Proceed in numerical order



## **6** Maintenance and cleaning

- A** Never use gasoline, benzene or similar substances for cleaning purposes.
- B** We recommend that you unplug the appliance before cleaning.
- B** Never use any sharp abrasive instrument, soap, household cleaner, detergent and wax polish for cleaning.
- C** Use lukewarm water to clean the cabinet of your refrigerator and wipe it dry.
- C** Use a damp cloth wrung out in a solution of one teaspoon of bicarbonate of soda to one pint of water to clean the interior and wipe it dry.
- B** Make sure that no water enters the lamp housing and other electrical items.
- B** If your refrigerator is not going to be used for a long period of time, unplug the power cable, remove all food, clean it and leave the door ajar.
- C** Check door seals regularly to ensure they are clean and free from food particles.
- A** To remove door racks, remove all the contents and then simply push the door rack upwards from the base.
- A** Never use cleaning agents or water that contain chlorine to clean the outer surfaces and chromium coated parts of the product. Chlorine causes corrosion on such metal surfaces.

### **Avoiding bad odours**

Materials that may cause odour are not used in the production of our refrigerators.

However, due to inappropriate food preserving conditions and not cleaning the inner surface of the refrigerator as required can bring forth the problem of odour. Pay attention to following to avoid this problem:

- Keeping the refrigerator clean is important.  
Food residuals, stains, etc. can cause odour. Therefore, clean the refrigerator with carbonate dissolved in water every 15 days. Never use detergents or soap.
- Keep the food in closed containers.  
Microorganisms spreading out from uncovered containers can cause unpleasant odours.
- Never keep the food that have expired best before dates and spoiled in the refrigerator.

### **Protection of plastic surfaces**

- C** Do not put the liquid oils or oil-cooked meals in your refrigerator in unsealed containers as they damage the plastic surfaces of your refrigerator. In case of spilling or smearing oil on the plastic surfaces, clean and rinse the relevant part of the surface at once with warm water.

## 7 Troubleshooting

Please review this list before calling the service. It will save your time and money. This list includes frequent complaints that are not arising from defective workmanship or material usage. Some of the features described here may not exist in your product.

### **The refrigerator does not operate.**

- The plug is not inserted into the socket correctly. >>>Insert the plug into the socket securely.
- The fuse of the socket which your refrigerator is connected to or the main fuse have blown out. >>>Check the fuse.

### **Condensation on the side wall of the fridge compartment (MULTIZONE, COOL CONTROL and FLEXI ZONE).**

- Ambient is very cold. >>>Do not install the refrigerator in places where the temperature falls below 10 °C.
- Door has been opened frequently. >>>Do not open and close the door of refrigerator frequently.
- Ambient is very humid. >>>Do not install your refrigerator into highly humid places.
- Food containing liquid is stored in open containers. >>>Do not store food with liquid content in open containers.
- Door of the refrigerator is left ajar. >>>Close the door of the refrigerator.
- Thermostat is set to a very cold level. >>>Set the thermostat to a suitable level.

### **Compressor is not running**

- Protective thermic of the compressor will blow out during sudden power failures or plug-out plug-ins as the refrigerant pressure in the cooling system of the refrigerator has not been balanced yet. The refrigerator will start running approximately after 6 minutes. Please call the service if the refrigerator does not startup at the end of this period.
- The fridge is in defrost cycle. >>>This is normal for a full-automatically defrosting refrigerator. Defrosting cycle occurs periodically.
- The refrigerator is not plugged into the socket. >>>Make sure that the plug is fit into the socket.
- Temperature settings are not made correctly. >>>Select the suitable temperature value.
- There is a power outage. >>>Refrigerator returns to normal operation when the power restores.

### **The operation noise increases when the refrigerator is running.**

- The operating performance of the refrigerator may change due to the changes in the ambient temperature. It is normal and not a fault.

**The refrigerator is running frequently or for a long time.**

- New product may be wider than the previous one. Larger refrigerators operate for a longer period of time.
- The room temperature may be high. >>>It is normal that the product operates for longer periods in hot ambient.
- The refrigerator might be plugged in recently or might be loaded with food. >>>When the refrigerator is plugged in or loaded with food recently, it will take longer for it to attain the set temperature. This is normal.
- Large amounts of hot food might be put in the refrigerator recently. >>>Do not put hot food into the refrigerator.
- Doors might be opened frequently or left ajar for a long time. >>>The warm air that has entered into the refrigerator causes the refrigerator to run for longer periods. Do not open the doors frequently.
- Freezer or fridge compartment door might be left ajar. >>>Check if the doors are closed completely.
- The refrigerator is adjusted to a very low temperature. >>>Adjust the refrigerator temperature to a warmer degree and wait until the temperature is achieved.
- Door seal of the fridge or freezer may be soiled, worn out, broken or not properly seated. >>>Clean or replace the seal. Damaged/broken seal causes the refrigerator to run for a longer period of time in order to maintain the current temperature.

**Freezer temperature is very low while the fridge temperature is sufficient.**

- The freezer temperature is adjusted to a very low value. >>>Adjust the freezer temperature to a warmer degree and check.

**Fridge temperature is very low while the freezer temperature is sufficient.**

- The fridge temperature is adjusted to a very low value. >>>Adjust the fridge temperature to a warmer degree and check.

**Food kept in the fridge compartment drawers is frozen.**

- The fridge temperature is adjusted to a very high value. >>>Adjust the fridge temperature to a lower value and check.

**Temperature in the fridge or freezer is very high.**

- The fridge temperature is adjusted to a very high value. >>>Fridge compartment temperature setting has an effect on the temperature of the freezer. Change the temperatures of the fridge or freezer and wait until the relevant compartments attain a sufficient temperature.
- Doors are opened frequently or left ajar for a long time. >>>Do not open the doors frequently.
- Door is ajar. >>>Close the door completely.
- The refrigerator is plugged in or loaded with food recently. >>>This is normal. When the refrigerator is plugged in or loaded with food recently, it will take longer for it to attain the set temperature.
- Large amounts of hot food might be put in the refrigerator recently. >>>Do not put hot food into the refrigerator.

<b>Vibrations or noise.</b>
<ul style="list-style-type: none"> <li>• The floor is not level or stable. &gt;&gt;&gt; If the refrigerator rocks when moved slowly, balance it by adjusting its feet. Also make sure that the floor is strong enough to carry the refrigerator, and level.</li> <li>• The items put onto the refrigerator may cause noise. &gt;&gt;&gt;Remove the items on top of the refrigerator.</li> </ul>
<b>There are noises coming from the refrigerator like liquid flowing, spraying, etc.</b>
<ul style="list-style-type: none"> <li>• Liquid and gas flows occur in accordance with the operating principles of your refrigerator. It is normal and not a fault.</li> </ul>
<b>Whistle comes from the refrigerator.</b>
<ul style="list-style-type: none"> <li>• Fans are used in order to cool the refrigerator. It is normal and not a fault.</li> </ul>
<b>Condensation on the inner walls of refrigerator.</b>
<ul style="list-style-type: none"> <li>• Hot and humid weather increases icing and condensation. It is normal and not a fault.</li> <li>• Doors are opened frequently or left ajar for a long time. &gt;&gt;&gt;Do not open the doors frequently. Close them if they are open.</li> <li>• Door is ajar. &gt;&gt;&gt;Close the door completely.</li> </ul>
<b>Humidity occurs on the outside of the refrigerator or between the doors.</b>
<ul style="list-style-type: none"> <li>• There might be humidity in the air; this is quite normal in humid weather. When the humidity is less, condensation will disappear.</li> </ul>
<b>Bad odour inside the refrigerator.</b>
<ul style="list-style-type: none"> <li>• No regular cleaning is performed. &gt;&gt;&gt;Clean the inside of the refrigerator regularly with a sponge, lukewarm water or carbonate dissolved in water.</li> <li>• Some containers or package materials may cause the smell. &gt;&gt;&gt;Use a different container or different brand packaging material.</li> <li>• Food is put into the refrigerator in uncovered containers. &gt;&gt;&gt;Keep the food in closed containers. Microorganisms spreading out from uncovered containers can cause unpleasant odours.</li> <li>• Remove the foods that have expired best before dates and spoiled from the refrigerator.</li> </ul>
<b>The door is not closing.</b>
<ul style="list-style-type: none"> <li>• Food packages are preventing the door from closing. &gt;&gt;&gt;Replace the packages that are obstructing the door.</li> <li>• The refrigerator is not completely even on the floor. &gt;&gt;&gt;Adjust the feet to balance the refrigerator.</li> <li>• The floor is not level or strong. &gt;&gt;&gt;Make sure that the floor is level and capable to carry the refrigerator.</li> </ul>
<b>Crispers are stuck.</b>
<ul style="list-style-type: none"> <li>• The food is touching the ceiling of the drawer. &gt;&gt;&gt;Rearrange food in the drawer.</li> </ul>

## **Veillez d'abord lire ce manuel d'utilisation !**

Cher client,

Nous espérons que votre produit, qui a été fabriqué dans des usines modernes et vérifié au terme des procédures de contrôle de qualité les plus méticuleuses, vous aidera efficacement.

Veillez donc lire attentivement l'intégralité de ce manuel avant de commencer à utiliser le produit et conservez-le manuel comme référence. Si vous remettez cet appareil à quelqu'un d'autre, remettez-lui également le manuel d'utilisation.

## **Le présent manuel vous aidera à utiliser votre produit en toute sécurité et efficacement.**

- Veuillez lire le manuel avant l'installation et l'utilisation du produit.
- Veuillez lire les instructions de sécurité.
- Conservez ce manuel dans un endroit facilement accessible car vous pourriez en avoir besoin ultérieurement.
- Lisez également la documentation fournie avec le produit.

N'oubliez pas que le présent manuel d'utilisation est également valable pour plusieurs autres modèles. Les différences entre les différents modèles seront identifiées dans le manuel.

## **Explication des symboles**

**Les symboles ci-après sont utilisés dans le manuel d'utilisation :**

**C** Informations importantes ou astuces.

**A** Avertissement relatif aux conditions dangereuses pour la vie et la propriété.

**B** Avertissement relatif à la tension électrique.

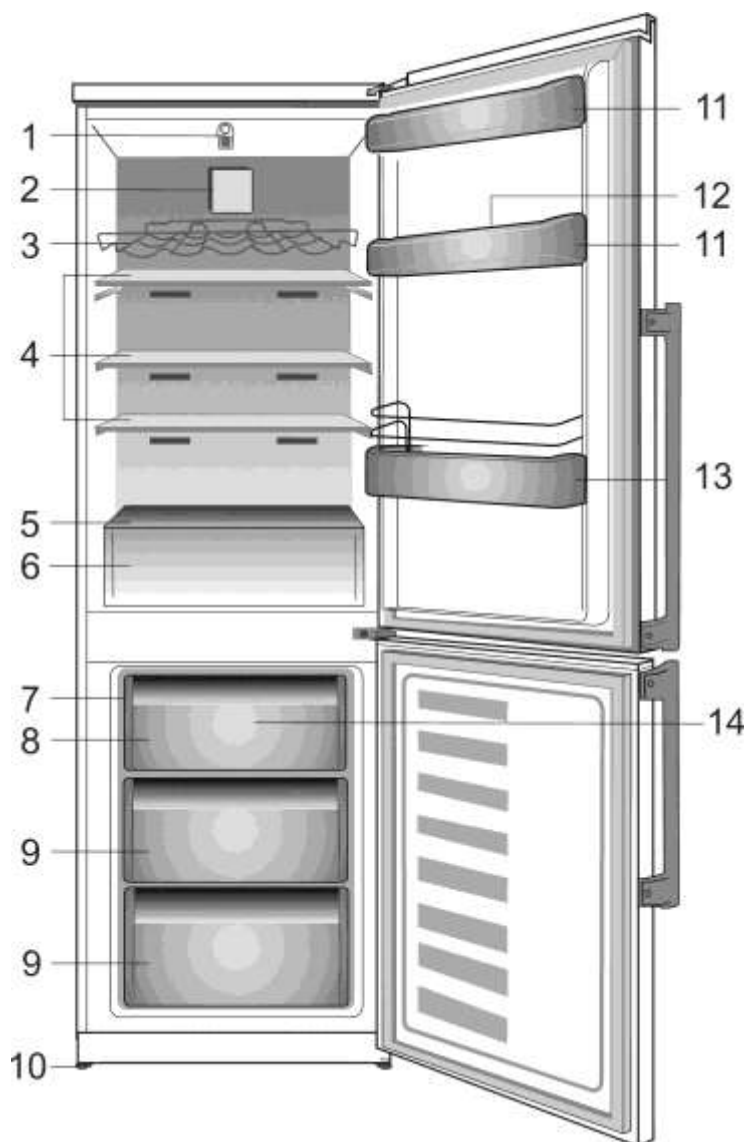
## TABLE DES MATIÈRES

---

<b><u>1</u></b>	<b><u>1</u></b>	<b><u>3</u></b>	<b><u>4</u></b>	<b><u>12</u></b>
<b><u>2</u></b>	<b><u>Précautions de sécurité</u></b>		<b><u>5</u></b>	<b><u>13</u></b>
	<b><u>importantes</u></b>	<b><u>4</u></b>	Commande de température.....	13
	Utilisation préconisée.....	4	Congélation d'aliments frais.....	14
	Sécurité générale.....	4	Recommandations concernant la	
	Pour les appareils dotés d'une fontaine		conservation des aliments congelés.....	15
	à eau.....	6	Recommandations relatives au	
	Sécurité enfants.....	6	compartiment des produits frais.....	15
	Conformité avec la réglementation		Réversibilité des portes.....	16
	WEEE et mise au rebut des déchets.....	7	<b><u>6</u></b>	<b><u>17</u></b>
	Informations relatives à l'emballage.....	7	<b><u>Entretien et nettoyage</u></b>	
	Avertissement HCA.....	7	Protection des surfaces en	
	Mesures d'économie d'énergie.....	8	Plastique.....	17
<b><u>3</u></b>	<b><u>Installation</u></b>	<b><u>9</u></b>	<b><u>7</u></b>	<b><u>18</u></b>
	Éléments à prendre en considération		<b><u>Dépannage</u></b>	
	lors du déménagement de votre			
	réfrigérateur.....	9		
	Avant de mettre votre réfrigérateur en			
	marche.....	9		
	Branchement électrique.....	10		
	Mise au rebut de l'emballage.....	10		
	Mise au rebut de votre ancien			
	réfrigérateur.....	10		
	Disposition et Installation.....	10		
	Remplacement de la lampe.....	11		
	Réglage des pieds.....	11		



# 1 Votre réfrigérateur



- |  |  |
|--|--|
| 1. Manette de réglage et éclairage intérieur | 9. Compartiments de conservation des denrées surgelées |
| 2. Congélation des produits frais            | 10. Pieds avant réglables                              |
| 3. Clayette range-bouteilles                 | 11. Clayette à bocaux                                  |
| 4. Clayettes réglables                       | 12. Casier à oeufs                                     |
| 5. Couvercle du bac à légumes                | 13. Clayette   |
| 6. Bac à légumes                             | 14. Ventilateur du congélateur                         |
| 7. Bac à glaçons et support                  |  |
| 8. Compartiment de congélation rapide        |  |

C Les illustrations présentées dans cette notice d'utilisation sont schématiques et peuvent ne pas correspondre exactement à votre produit. Si certains éléments illustrés ne sont pas inclus dans le produit que vous avez acheté, ils concerneront d'autres modèles.

## 2 Précautions de sécurité importantes

Veillez examiner les informations suivantes :

Le non respect de ces consignes peut entraîner des blessures ou dommages matériels.

Sinon, tout engagement lié à la garantie et à la fiabilité du produit devient invalide.

Votre appareil a une durée de vie de 10 ans. Pendant cette période, les pièces de rechange d'origine seront disponibles afin que l'appareil fonctionne comme il se doit.

### Utilisation préconisée

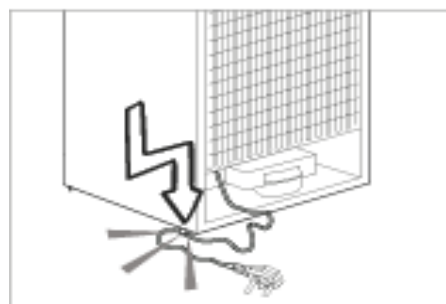
- Ce produit est prévu pour une utilisation
- en intérieur et dans des zones fermées telles que les maisons ;
- dans les environnements de travail fermés, tels que les magasins et les bureaux ;
- dans les lieux d'hébergement fermés, tels que les fermes, hôtels, pensions.
- Il ne doit en conséquence pas être utilisé à l'extérieur.

### Sécurité générale

- Avant de vous débarrasser de votre appareil, veuillez consulter les autorités locales ou votre revendeur pour connaître le mode opératoire et les organismes agréés de collecte.
- Consultez le service après-vente agréé concernant toutes questions ou problèmes relatifs au réfrigérateur. N'intervenez pas ou ne laissez personne intervenir sur le réfrigérateur sans le communiquer au service après-vente agréé.

- Pour les produits équipés d'un compartiment congélateur ; ne mangez pas de cônes de crème glacée ou des glaçons immédiatement après les avoir sortis du compartiment de congélation ! (Cela pourrait provoquer des engelures dans votre bouche).
- Pour les produits équipés d'un compartiment congélateur ; ne placez pas de boissons en bouteilles ou en canette dans le congélateur. Cela peut entraîner leur éclatement.
- Ne touchez pas des produits congelés avec les mains, ils pourraient se coller à celles-ci.
- Débranchez votre réfrigérateur avant de le nettoyer ou de le dégivrer.
- La vapeur et des matériaux de nettoyage pulvérisés ne doivent jamais être utilisés pour les processus de nettoyage ou de dégivrage de votre réfrigérateur. La vapeur pourrait pénétrer dans les pièces électriques et provoquer des courts-circuits ou des électrocutions.
- Ne jamais utiliser les pièces de votre réfrigérateur telles que la plaque de protection ou la porte, comme un support ou une marche.
- N'utilisez pas d'appareils électriques à l'intérieur du réfrigérateur.
- N'endommagez pas les pièces où circule le liquide réfrigérant avec des outils de forage ou coupants. Le liquide réfrigérant qui pourrait s'échapper si les canalisations de gaz de l'évaporateur, les rallonges de tuyau ou les revêtements de surface étaient percés, peut irriter la peau et provoquer des blessures aux yeux.

- Ne pas couvrir ou obstruer les orifices de ventilation du réfrigérateur.
- Les appareils électriques peuvent être réparés seulement par des personnes autorisées. Les réparations réalisées par des personnes ne présentant pas les compétences requises peuvent présenter un risque pour l'utilisateur.
- En cas de dysfonctionnement ou lors d'opérations d'entretien ou de réparation, débranchez l'alimentation électrique du réfrigérateur soit en désactivant le fusible correspondant, soit en débranchant l'appareil.
- Ne tirez pas sur le câble lorsque vous débranchez la prise.
- Placez les boissons alcoolisées verticalement, dans des récipients convenablement fermés.
- Ne conservez jamais des aérosols contenant des substances inflammables et explosives dans le réfrigérateur.
- N'utilisez pas d'outils mécaniques ou autres moyens pour accélérer le processus de décongélation autres que ceux qui sont recommandés par le fabricant.
- Ce produit n'est pas conçu pour être utilisé par des personnes (enfants compris) souffrant de déficience physique, sensorielle, mentale, ou inexpérimentées, à moins d'avoir obtenu une autorisation auprès des personnes responsables de leur sécurité.
- Ne faites pas fonctionner un réfrigérateur endommagé. Consultez le service agréé en cas de problème.
- La sécurité électrique du réfrigérateur n'est assurée que si le système de mise à la terre de votre domicile est conforme aux normes en vigueur.
- L'exposition du produit à la pluie, la neige, au soleil ou au vent présente des risques concernant la sécurité électrique.
- Contactez le service agréé quand un câble d'alimentation est endommagé pour éviter tout danger.
- Ne branchez jamais le réfrigérateur à la prise murale au cours de l'installation.  
Vous vous exposeriez à un risque de mort ou à de blessures graves.
- Ce réfrigérateur est conçu seulement pour conserver des aliments. Par conséquent, il ne doit pas être utilisé à d'autres fins.
- L'étiquette avec les caractéristiques techniques est située sur le mur gauche à l'intérieur du réfrigérateur.
- Ne branchez jamais votre réfrigérateur à des systèmes d'économie d'énergie, cela peut l'endommager.
- S'il y a une lumière bleue sur le réfrigérateur, ne la regardez pas avec des outils optiques.
- Pour les réfrigérateurs contrôlés manuellement, attendez au moins 5 minutes pour allumer le réfrigérateur après une coupure de courant.
- Si cet appareil venait à changer de propriétaire, n'oubliez pas de remettre la présente notice d'utilisation au nouveau bénéficiaire.
- Évitez d'endommager le câble d'alimentation quand vous transportez le réfrigérateur. Tordre le câble peut entraîner un incendie. Ne placez jamais des objets lourds sur le câble d'alimentation.
- Évitez de toucher à la prise avec des mains mouillées au moment de brancher l'appareil.



- Évitez de brancher le réfrigérateur lorsque la prise de courant électrique a lâché.
- Pour des raisons de sécurité, évitez de pulvériser directement de l'eau sur les parties externes et internes du réfrigérateur.
- Ne pulvérisez pas de substances contenant des gaz inflammables comme du propane près du réfrigérateur pour éviter tout risque d'incendie et d'explosion.
- Ne placez jamais de récipients contenant de l'eau sur votre réfrigérateur, ils pourraient causer des chocs électriques ou un incendie.
- Évitez de surcharger le réfrigérateur avec une quantité excessive d'aliments. S'il est surchargé, les aliments peuvent tomber, vous blesser et endommager le réfrigérateur quand vous ouvrez la porte.
- Ne placez jamais d'objets au-dessus du réfrigérateur, ils pourraient tomber quand vous ouvrez ou fermez la porte du réfrigérateur.
- Les produits qui nécessitent un contrôle de température précis (vaccin, médicament sensible à la chaleur, matériels scientifiques, etc.) ne doivent pas être conservés dans le réfrigérateur.
- Si le réfrigérateur n'est pas utilisé pendant longtemps, il doit être débranché. Un éventuel problème avec le câble d'alimentation pourrait causer un incendie.
- Le bout de la prise électrique doit être nettoyé régulièrement à l'aide d'un chiffon sec, sinon il peut provoquer un incendie.
- Le réfrigérateur peut bouger si ses pieds réglables ne sont pas bien fixés sur le sol. Bien fixer les pieds réglables sur le sol peut empêcher le réfrigérateur de bouger.
- Quand vous transportez le réfrigérateur, ne le tenez pas par la poignée de la porte. Cela peut le casser.
- Quand vous devez placer votre produit près d'un autre réfrigérateur ou congélateur, la distance entre les appareils doit être d'au moins 8 cm. Sinon, les murs adjacents peuvent être humidifiés.

### **Pour les appareils dotés d'une fontaine à eau ;**

La pression de l'alimentation en eau doit être au minimum de 1 bar. La pression de l'alimentation en eau doit être au maximum de 8 bars.

- Utilisez uniquement de l'eau potable.


### **Sécurité enfants**

- Si la porte a un verrouillage, la clé doit rester hors de portée des enfants.
- Les enfants doivent être surveillés et empêchés de s'amuser avec le produit.

**A DANGER:** Risque pour les enfants de se retrouver piégés. Avant de mettre au rebut votre réfrigérateur ou congélateur, retirez-en les portes.

## Conformité avec la réglementation WEEE et mise au rebut des déchets



Le symbole  sur le produit ou sur son emballage indique que ledit produit peut ne pas être traité comme ordure ménagère. Au contraire, il sera remis au point de collecte approprié pour les équipements électriques et électroniques. En s'assurant que le présent produit est correctement mis au rebut, vous aiderez ainsi à éviter de potentielles conséquences négatives pour l'environnement et la santé humaine qu'une mauvaise mise au rebut aurait par ailleurs entraîné. Pour plus d'informations relatives au recyclage de ce produit, veuillez contacter les autorités de votre localité, les services chargés de la mise au rebut de vos ordures ménagères ou le magasin dans lequel vous avez acheté le produit.

## Informations relatives à l'emballage

Les matériaux d'emballage de cet appareil sont fabriqués à partir de matériaux recyclables, conformément à nos Réglementations Nationales en Environnement. Ne mélangez pas les matériaux d'emballage avec les déchets domestiques ou d'autres déchets. Amenez-les aux points de collecte des matériaux d'emballage, désignés par les autorités locales.

### **N'oubliez pas...**

Pour la préservation de la nature et de notre santé, il est indispensable de recycler les matières.

Si vous voulez contribuer au recyclage des matériaux d'emballage, vous pouvez vous renseigner auprès d'organisations environnementales ou de l'autorité locale proche de votre domicile.

## Avertissement HCA

### **Si le système de refroidissement de votre appareil contient R600a :**

Ce gaz est inflammable. Par conséquent, veuillez prendre garde à ne pas endommager le système de refroidissement et les tuyauteries lors de son utilisation ou de son transport. En cas de dommages, éloignez votre produit de toute source potentielle de flammes susceptible de provoquer l'incendie de l'appareil. De même, placez le produit dans une pièce aérée.

Le type de gaz utilisé dans l'appareil est mentionné sur la plaque signalétique située sur la paroi gauche de l'intérieur du réfrigérateur.

Ne jetez jamais l'appareil au feu pour vous en débarrasser.

**A DANGER** - Risque d'incendie ou d'explosion. Réfrigérant inflammable utilisé. N'utilisez pas d'objets mécaniques pour dégivrer le réfrigérateur. Ne percez pas les tuyaux du réfrigérant.

**A DANGER** - Risque d'incendie ou d'explosion. Réfrigérant inflammable utilisé. Ne doit être réparé que par le personnel de service qualifié. Pas de perforation tuyau du réfrigérant.

**A ATTENTION** - Risque d'incendie ou d'explosion. Réfrigérant inflammable utilisé. Reportez-vous au manuel de réparation / guide de l'utilisateur avant toute tentative de dépannage de cet appareil. Toutes les précautions de sécurité doivent être respectées.

**A ATTENTION** - Risque d'incendie ou d'explosion. La mise au rebut doit se faire conformément aux réglementations fédérales ou locales. Réfrigérant inflammable utilisé.

**A ATTENTION** - Risque d'incendie ou d'explosion causée par la perforation du tuyau du réfrigérant ; respectez attentivement les consignes de manutention. Réfrigérant inflammable utilisé".

## Mesures d'économie d'énergie

- Ne laissez pas les portes du réfrigérateur ouvertes pendant une durée prolongée.
- N'introduisez pas de denrées ou de boissons chaudes dans le réfrigérateur.
- Ne surchargez pas le réfrigérateur pour ne pas obstruer pas la circulation d'air à l'intérieur.
- N'installez pas le réfrigérateur à la lumière directe du soleil ou près d'appareil émettant de la chaleur tels qu'un four, un lave-vaisselle ou un radiateur.
- Veillez à conserver vos denrées dans des récipients fermés.
- Pour les produits équipés d'un compartiment congélateur : vous pouvez conserver une quantité maximale d'aliments dans le congélateur quand vous enlevez l'étagère ou le tiroir du congélateur. La consommation d'énergie précisée pour votre réfrigérateur a été déterminée en enlevant l'étagère ou le tiroir du congélateur et avec la charge maximale. Il n'y aucun risque à utiliser une étagère ou un tiroir en fonction des formes et tailles des denrées à congeler.
- La décongélation des aliments dans le compartiment réfrigérateur permet de faire des économies d'énergie et de préserver la qualité des aliments.

### 3 Installation

B Dans l'hypothèse ou l'information contenue dans ce manuel n'a pas été prise en compte par l'utilisateur, le fabricant ne sera aucunement responsable en cas de problèmes.

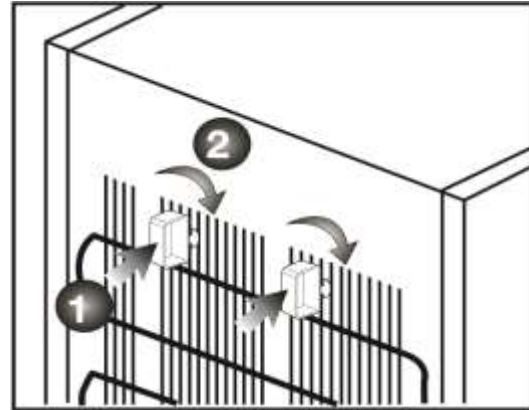
#### Éléments à prendre en considération lors du déménagement de votre réfrigérateur

1. Votre réfrigérateur doit être débranché. Avant le transport de votre réfrigérateur, vous devez le vider et le nettoyer
2. Avant d'emballer votre réfrigérateur, vous devez fixer ses étagères, bac, accessoires, etc, avec du ruban adhésif afin de les protéger contre les chocs. L'emballage doit être solidement attaché avec du ruban adhésif épais ou avec un cordage solide. La réglementation en matière de transport et de marquage de l'emballage doit être strictement respectée.
3. L'emballage et les matériaux de protection d'emballage doivent être conservés pour les éventuels transports ou déplacements à venir.

#### Avant de mettre votre réfrigérateur en marche,

Vérifiez les points suivants avant de commencer à utiliser votre réfrigérateur :

1. Fixez les câbles en plastique tel qu'indiqué sur le schéma ci-dessous. Les câbles en plastique servent à maintenir une distance permettant la circulation de l'air entre le réfrigérateur et le mur. (Cette image n'est donnée qu'à titre indicatif ; elle n'est pas identique à votre produit.)



2. Nettoyez l'intérieur du réfrigérateur tel qu'indiqué dans la section « Entretien et nettoyage ».
3. Insérez la prise du réfrigérateur dans la prise murale. Lorsque la porte du réfrigérateur est ouverte, la lampe interne du réfrigérateur s'éclaire.
4. Lorsque le compresseur commence à fonctionner, il émettra un son. Le liquide et les gaz intégrés au système du réfrigérateur peuvent également faire du bruit, que le compresseur soit en marche ou non. Ceci est tout à fait normal.
5. Les parties antérieures du réfrigérateur peuvent chauffer. Ce phénomène est normal. Ces zones doivent en principe être chaudes pour éviter tout risque de condensation.

## Branchement électrique

Branchez votre réfrigérateur à une prise de mise à la terre protégée par un fusible ayant une capacité appropriée.

Important :

Le branchement doit être conforme aux normes en vigueur sur le territoire national.

- La fiche du câble d'alimentation doit être facilement accessible après installation.
- La sécurité électrique du réfrigérateur n'est assurée que si le système de mise à la terre de votre domicile est conforme aux normes en vigueur.
- La tension indiquée sur l'étiquette située sur la paroi gauche interne de votre produit doit correspondre à celle fournie par votre réseau électrique.
- **Les rallonges et prises multivoies ne doivent pas être utilisés pour brancher l'appareil.**

**B** Un câble d'alimentation endommagé doit être remplacé par un électricien qualifié.

**B** L'appareil ne doit pas être mis en service avant d'être réparé ! Cette précaution permet d'éviter tout risque de choc électrique !

## Mise au rebut de l'emballage

Les matériaux d'emballage peuvent être dangereux pour les enfants. Tenez les matériaux d'emballage hors de portée des enfants ou jetez-les conformément aux consignes établies par les autorités locales en matière de déchets. Ne les jetez pas avec les déchets domestiques, déposez-les dans les centres de collecte désignés par les autorités locales.

L'emballage de votre appareil est produit à partir de matériaux recyclables.

## Mise au rebut de votre ancien réfrigérateur

Débarrassez-vous de votre ancien réfrigérateur sans nuire à l'environnement.

- Vous pouvez consulter le service après-vente agréé ou le centre chargé de la mise au rebut dans votre municipalité pour en savoir plus sur la mise au rebut de votre produit.

Avant de procéder à la mise au rebut de votre machine, coupez la prise électrique et, le cas échéant, tout verrouillage susceptible de se trouver sur la porte. Rendez-les inopérants afin de ne pas exposer les enfants à d'éventuels dangers.

## Disposition et Installation

**A** Si la porte d'entrée de la pièce où sera installé le réfrigérateur n'est pas assez large pour laisser passer le réfrigérateur, appelez le service après-vente qui retirera les portes du réfrigérateur et le fera entrer latéralement dans la pièce.

1. Installez le réfrigérateur dans un emplacement qui permette une utilisation pratique.
2. Maintenez le réfrigérateur éloigné de toutes sources de chaleur, des endroits humides et de la lumière directe du soleil.
3. Une ventilation d'air autour du réfrigérateur doit être aménagée pour obtenir un fonctionnement efficace. Si le réfrigérateur est placé dans un enfoncement du mur, il doit y avoir un espace d'au moins 5 cm avec le plafond et d'au moins 5 cm avec le mur. Ne placez pas l'appareil sur des revêtements tels qu'un tapis ou de la moquette.
4. Placez le réfrigérateur sur un a de surface plane afin d'éviter les à-coups.



## Remplacement de la lampe

Pour remplacer la lampe LED du réfrigérateur, veuillez contacter le service après-vente agréé.

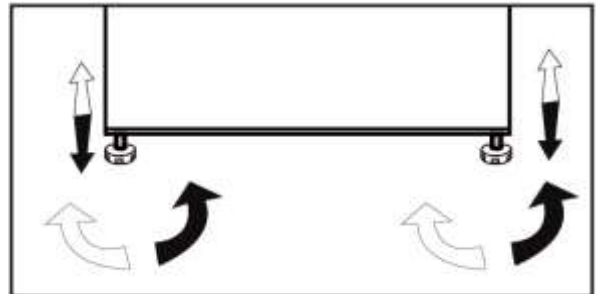
La lampe (s) utilisé dans cet appareil ne convient pas pour l'éclairage de la salle de ménage. Le but visé par cette lampe est d'aider à l'utilisateur de placer les aliments dans le réfrigérateur / congélateur d'une manière sûre et confortable.

Les voyants utilisés dans cet appareil doivent résister aux conditions physiques extrêmes telles que des températures inférieures à  $-20^{\circ}\text{C}$ .

## Réglage des pieds

Si le réfrigérateur n'est pas stable.

Vous pouvez équilibrer le réfrigérateur en tournant les pieds avant, tel qu'illustré sur le schéma. Le côté où se trouve le pied s'abaisse lorsque vous tournez dans le sens de la flèche noire, et s'élève lorsque vous tournez dans le sens opposé. Si vous vous faites aider par quelqu'un pour légèrement soulever le réfrigérateur, l'opération s'en trouvera simplifiée.

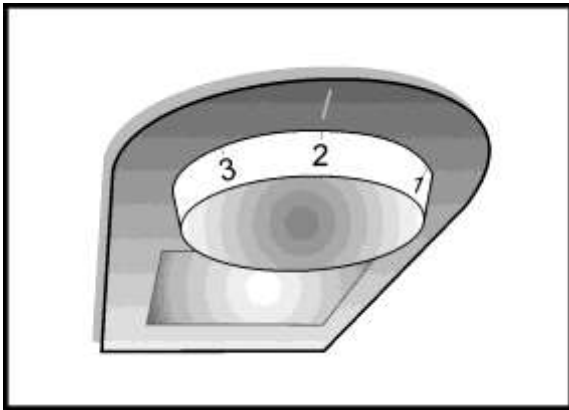


## 4 Preparation

---

- Votre réfrigérateur doit être installé à au moins 30 cm des sources de chaleur telles que les plaques de cuisson, les fours, appareils de chauffage ou cuisinières, et à au moins 5 cm des fours électriques. De même, il ne doit pas être exposé à la lumière directe du soleil.
- Veuillez vous assurer que l'intérieur de votre appareil est soigneusement nettoyé.
- Si deux réfrigérateurs sont installés côte à côte, ils doivent être séparés d'au moins 2 cm.
- Lorsque vous faites fonctionner le réfrigérateur pour la première fois, assurez-vous de suivre les instructions suivantes pendant les six premières heures.
- La porte ne doit pas être ouverte fréquemment.
- Le réfrigérateur doit fonctionner à vide, sans denrées à l'intérieur.
- Panne de courant se produit, veuillez vous reporter aux avertissements de la section « Solutions recommandées aux problèmes ».
- Ce produit a été conçu pour fonctionner à une température ambiante pouvant atteindre 43 °C (110 °F).

## 5 Utilisation du réfrigérateur



### Commande de température et réglage

La commande du thermostat se trouve sur le bandeau supérieur du réfrigérateur.

Important:

Lorsque vous ajustez la température définie sur la touche congélation rapide, il peut y avoir un délai avant que le compresseur se mette en marche. Cela est normal et n'est pas un défaut du compresseur.

La température intérieure est réglée par le thermostat.

Les températures obtenues à l'intérieur de l'armoire peuvent varier en fonction des conditions d'utilisation:

emplacement, température ambiante, fréquence de l'ouverture des portes, quantité de denrées à l'intérieur.

En général, pour une température ambiante de +25°C, la manette du thermostat sera placée sur une position moyenne.

Le thermostat assure aussi le dégivrage automatique de la partie réfrigérateur.

Évitez un réglage qui pourrait provoquer une marche continue : la température intérieure pourrait baisser en dessous de 0°C d'où un risque de prise en glace des boissons et une formation excessive de givre sur les parois ainsi qu'une augmentation de la consommation d'électricité.

## Congélation d'aliments frais

- Enveloppez ou couvrez vos aliments avant de les placer au réfrigérateur.
  - Laissez refroidir les aliments à la température ambiante avant de les introduire dans le réfrigérateur.
  - Les denrées que vous souhaitez surgeler doivent être fraîches et en bon état.
  - Il est conseillé de séparer les denrées en portions en fonction des besoins quotidiens de votre famille ou par repas.
  - Les denrées doivent être emballées hermétiquement afin d'éviter qu'elles ne s'assèchent, même si elles ne doivent être conservées qu'une courte période.
  - Les matériaux servant à emballer vos denrées doivent résister au froid et à l'humidité, et doivent être hermétiques. Le matériau d'emballage de vos denrées doit être suffisamment épais et doit pouvoir être conservé sur une longue période. Dans le cas contraire, les denrées endurcies par la congélation pourraient perforer l'emballage. Il est essentiel pour l'emballage d'être bien fermé pour une conservation sécurisée de vos denrées.
  - Les aliments congelés doivent être consommés immédiatement après leur décongélation et ils ne doivent pas être recongelés.
- Veuillez respecter les instructions suivantes afin d'obtenir les meilleurs résultats.
    1. Ne congelez pas une quantité trop importante à la fois. La qualité des aliments est préservée de façon optimale lorsqu'ils sont entièrement congelés aussi rapidement que possible.
    2. Faites particulièrement attention à ne pas mélanger les produits déjà congelés et les produits frais.
    3. Assurez-vous que les aliments crus ne sont pas en contact avec les cuits dans le réfrigérateur.

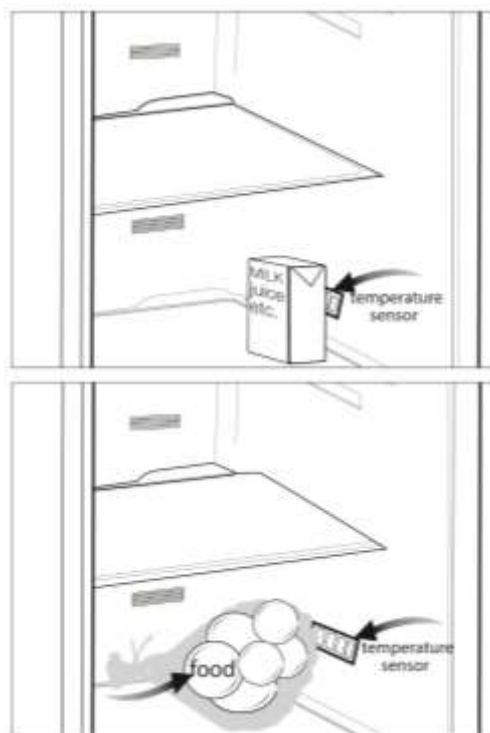
## Recommandations concernant la conservation des aliments congelés

- Les aliments vendus préemballés et surgelés doivent être conservés conformément aux instructions du fabricant de produits congelés, dans le compartiment destiné au stockage des produits congelés.
- Afin de veiller à ce que la qualité supérieure recherchée par le fabricant et le détaillant des produits congelés soit atteinte, il convient de se rappeler les points suivants :
  1. Mettre les emballages dans le congélateur aussi rapidement que possible après achat.
  2. Assurez-vous que le contenu emballé est correctement étiqueté et daté.
  3. Ne dépassez pas les dates « à consommer jusqu'au » et « à consommer de préférence avant le » figurant sur l'emballage.

## Recommandations relatives au compartiment des produits frais

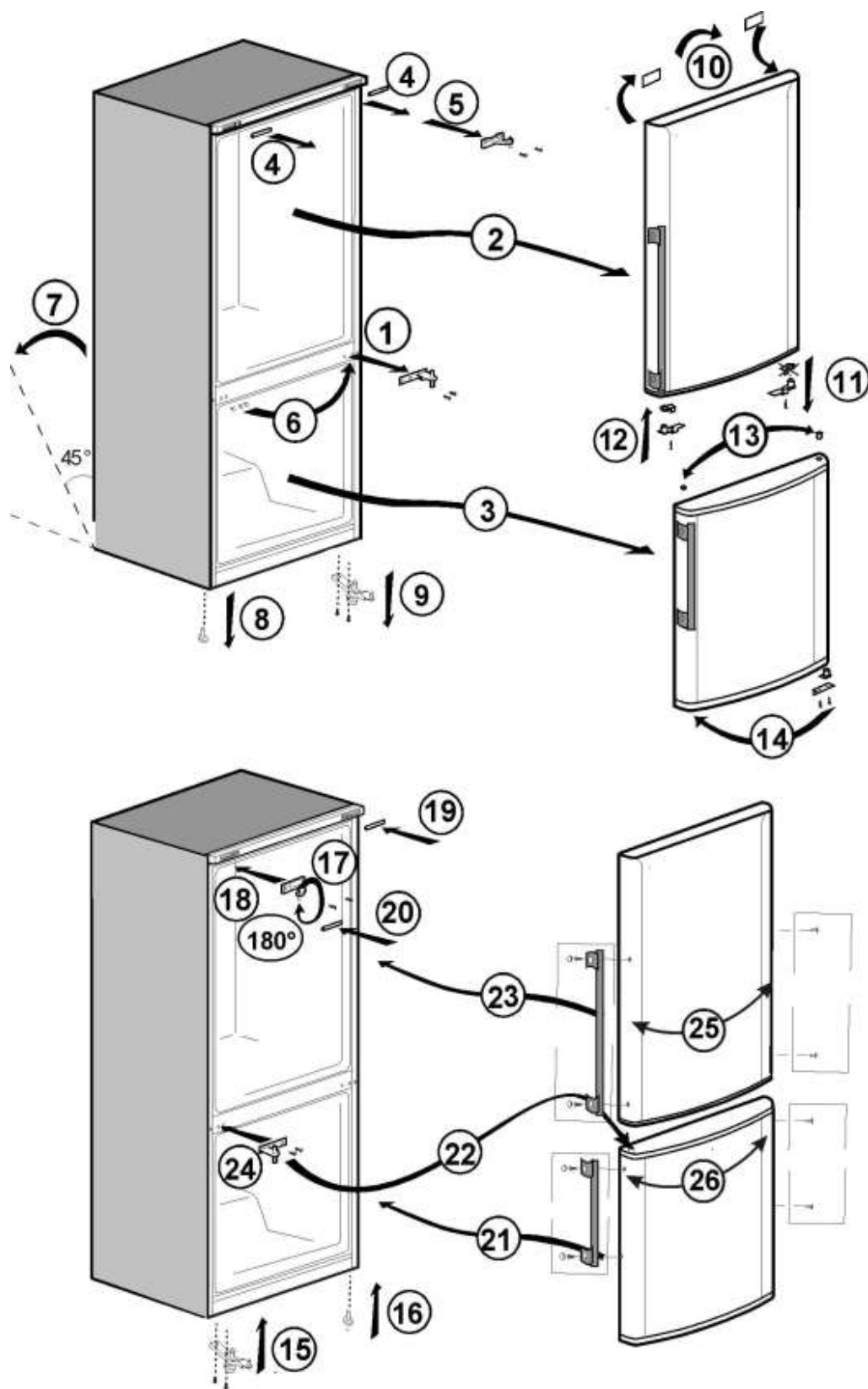
\*en option

- Faites attention à ce que les aliments ne touchent pas le capteur de température dans le compartiment des produits frais. Pour que le compartiment des produits frais conserve sa température idéale, le capteur ne doit pas être encombré par des aliments.
- Ne placez pas de denrées chaudes dans votre appareil.



## Réversibilité des portes

Procédez dans l'ordre numérique



- A** N'utilisez jamais d'essence, de benzène ou de matériaux similaires pour le nettoyage.
- B** Nous vous recommandons de débrancher l'appareil avant de procéder au nettoyage.
- B** N'utilisez jamais d'ustensiles tranchants, savon, produit de nettoyage domestique, détergent et cirage pour le nettoyage.
- C** Utilisez de l'eau tiède pour nettoyer la carrosserie du réfrigérateur et séchez-la soigneusement à l'aide d'un chiffon.
- C** Utilisez un chiffon humide imbibé d'une solution composée d'une cuillère à café de bicarbonate de soude pour un demi litre d'eau pour nettoyer l'intérieur et séchez soigneusement.
- B** Ne faites pas couler d'eau dans le logement de la lampe et dans d'autres éléments électriques.
- B** En cas de non utilisation de votre réfrigérateur pendant une période prolongée, débranchez le câble d'alimentation, sortez toutes les denrées, nettoyez-le et laissez la porte entrouverte.
- C** Inspectez les joints de porte régulièrement pour vérifier qu'ils sont propres et qu'il n'y a pas de particules de nourriture.
- A** Pour retirer les balconnets de portes, sortez tout son contenu puis poussez simplement le balconnet vers le haut à partir de la base.
- A** N'utilisez jamais de produits nettoyants ou de l'eau contenant du chlore pour le nettoyage des surfaces externes et des pièces chromées du produit. Le chlore entraîne la corrosion de ces surfaces métalliques.

### **Protection des surfaces en plastique**

- C** Ne placez pas d'huiles ou de plats huileux dans le congélateur / réfrigérateur dans des récipients non fermés, car les graisses peuvent endommager les surfaces en plastique du congélateur / réfrigérateur. Si vous versez ou éclaboussez de l'huile sur les surfaces en plastique, nettoyez et lavez les parties souillées avec de l'eau chaude immédiatement.

## 7 Dépannage

Veillez vérifier la liste suivante avant d'appeler le service après-vente. Cela peut vous faire économiser du temps et de l'argent. Cette liste regroupe les problèmes les plus fréquents ne provenant pas d'un défaut de fabrication ou d'utilisation du matériel. Il se peut que certaines des fonctions décrites ne soient pas présentes sur votre produit.

### **Le réfrigérateur ne fonctionne pas.**

- La fiche n'est pas insérée correctement dans la prise. >>>Insérez correctement la fiche dans la prise.
- Est-ce que le fusible ou la douille de raccord du réfrigérateur sont connectés ou est-ce que le fusible principal a sauté ? >>>Vérifiez le fusible.

### **Condensation sur la paroi intérieure du compartiment réfrigérateur. (MULTIZONE, COOL CONTROL et FLEXI ZONE).**

- La température ambiante est très froide >>>N'installez pas le réfrigérateur dans des endroits où la température peut être inférieure à 10 °C.
- La porte a été ouverte souvent. >>>Évitez d'ouvrir et de fermer trop fréquemment la porte du réfrigérateur.
- L'environnement est très humide. >>>N'installez pas votre réfrigérateur dans des endroits très humides.
- La nourriture contenant du liquide est conservée dans des récipients ouverts. >>>Ne conservez pas de la nourriture contenant du liquide dans des récipients ouverts.
- La porte du réfrigérateur est laissée entrouverte. >>>Fermez la porte du réfrigérateur.
- Le thermostat est réglé à un niveau très froid. >>>Réglez le thermostat à un niveau adapté.

### **Le compresseur ne fonctionne pas.**

- Le dispositif de protection thermique du compresseur sautera en cas de coupures soudaines du courant ou de débranchement intempestif, en effet la pression du liquide réfrigérant du système de refroidissement ne sera pas équilibrée. Le réfrigérateur recommencera à fonctionner normalement après 6 minutes environ. Veuillez contacter le service après-vente si le réfrigérateur ne redémarre pas après cette période.
- Le réfrigérateur est en mode de dégivrage. >>>Cela est normal pour un réfrigérateur à dégivrage semi-automatique. Le cycle de dégivrage se déclenche régulièrement.
- Le réfrigérateur n'est pas branché à la prise. >>>Assurez-vous que la prise est branchée dans la prise murale.
- Les réglages de température ne sont pas effectués correctement. >>>Sélectionnez la température appropriée.
- Il y a une panne de courant. >>>Le réfrigérateur recommence à fonctionner normalement après le retour du courant.

### **Le niveau sonore augmente lorsque le réfrigérateur est en marche.**

- Les caractéristiques de performance du réfrigérateur peuvent changer en raison des variations de la température ambiante. Cela est normal et n'est pas un défaut.



### **Le réfrigérateur fonctionne fréquemment ou pendant de longues périodes.**

- Votre nouveau réfrigérateur est peut être plus large que l'ancien. Les grands réfrigérateurs durent plus longtemps.
  - La température de la pièce est probablement **élevée**. >>>Il est normal que l'appareil fonctionne plus longtemps quand la température ambiante est élevée.
- Le réfrigérateur pourrait y avoir été branché tout récemment ou pourrait avoir été chargé de denrées alimentaires.

>>>Quand le réfrigérateur a été branché ou récemment rempli avec de la nourriture, il met plus de temps à atteindre la température réglée. Ce phénomène est normal.
- D'importantes quantités de denrées chaudes ont peut être été introduites dans le réfrigérateur récemment. >>>Ne mettez pas de nourriture chaude dans le réfrigérateur.
- Les portes ont peut être été ouvertes fréquemment ou laissées entrouvertes pendant une durée prolongée. >>>L'air chaud qui entre dans l'appareil oblige le réfrigérateur à travailler sur de plus longues périodes. N'ouvrez pas les portes fréquemment.
- La porte du congélateur ou du réfrigérateur est probablement entrouverte. >>>Vérifiez que les portes sont bien fermées.
- Le réfrigérateur est réglé à une température très basse. >>>Réglez la température du réfrigérateur à un degré supérieur et attendez que la température réglée soit atteinte.
- Le joint de la porte du réfrigérateur ou du congélateur peut être sale, déchiré, rompu ou mal en place. >>>Nettoyez ou remplacez le joint. Tout joint endommagé/déchiré fait fonctionner le réfrigérateur pendant une période de temps plus longue afin de conserver la température actuelle.

### **La température du congélateur est très basse alors que celle du réfrigérateur est correcte.**

- La température du congélateur est réglée à une température très basse. >>>Réglez la température du congélateur à un degré supérieur et vérifiez.

### **La température du réfrigérateur est très basse alors que celle du congélateur est correcte.**

- La température du réfrigérateur est réglée à une température très basse. >>>Réglez la température du réfrigérateur à un degré supérieur et vérifiez.

### **Les denrées conservées dans les tiroirs du compartiment de réfrigération sont congelées.**

- La température du réfrigérateur est réglée à une température très élevée. >>>Réglez la température du réfrigérateur à un niveau inférieur et vérifiez.

### **La température dans le réfrigérateur ou le congélateur est très élevée.**

- La température du réfrigérateur est réglée à une température très élevée. >>>Le réglage du compartiment réfrigérant a un effet sur la température du congélateur. Changez les températures du réfrigérateur ou du congélateur et attendez que les compartiments atteignent une température suffisante.
- Les portes ont peut être été ouvertes fréquemment ou laissées entrouvertes pendant une durée prolongée. >>>N'ouvrez pas les portes fréquemment.
- La porte est entrouverte. >>>Refermez complètement la porte.
- Le réfrigérateur a été récemment branché ou rempli avec de la nourriture. >>>Ce phénomène est normal.  
Lorsque le réfrigérateur vient d'être branché ou récemment rempli avec de la nourriture, il met plus de temps à atteindre la température réglée.
- D'importantes quantités de denrées chaudes ont peut être été introduites dans le réfrigérateur récemment. >>>Ne mettez pas de nourriture chaude dans le réfrigérateur.

### **Vibrations ou bruits**

- Le sol n'est pas plat ou stable. >>>Si le réfrigérateur balance lorsqu'il est déplacé lentement, équilibrez-le en ajustant sa base. Assurez-vous que le sol est plat et suffisamment solide pour supporter le poids et le volume de l'appareil.
- Les éléments placés sur le réfrigérateur peuvent faire du bruit. >>>Enlevez les éléments du haut du réfrigérateur.

### **Le réfrigérateur produit des bruits semblables à de l'eau qui coule, à la pulvérisation d'un liquide, etc.**

- Des écoulements de gaz et de liquides surviennent dans le réfrigérateur, de par ses principes de fonctionnement Cela est normal et n'est pas un défaut.

### **Un sifflement sort du réfrigérateur.**

- Les ventilateurs sont utilisés pour refroidir le réfrigérateur. Cela est normal et n'est pas un défaut.

### **Condensation sur les parois intérieures du réfrigérateur.**

- Un temps chaud et humide augmente la formation de givre et de condensation. Cela est normal et n'est pas un défaut.
- Les portes ont peut être été ouvertes fréquemment ou laissées entrouvertes pendant une durée prolongée. >>>N'ouvrez pas les portes fréquemment. Refermez-les si elles sont ouvertes.
- La porte est entrouverte. >>>Refermez complètement la porte.

### **De l'humidité est présente à l'extérieur ou entre les portes du réfrigérateur.**

- Il y a peut être de l'humidité dans l'air ; ceci est tout à fait normal par un temps humide. Lorsque l'humidité est faible, la condensation disparaîtra.

### **Présence d'une mauvaise odeur dans le réfrigérateur.**

- Il n'y a pas de nettoyage régulier effectué. >>>Nettoyez régulièrement l'intérieur du réfrigérateur avec une éponge, de l'eau tiède ou du carbonate dissout dans l'eau.
- Certains récipients ou matériaux d'emballage peuvent provoquer ces odeurs. >>>Utilisez un autre récipient ou changez de marque de matériau d'emballage.
- Les denrées sont mises au réfrigérateur dans des récipients sans couvercle. >>>Conservez les aliments liquides dans des récipients fermés. Les micro-organismes issus de récipients non fermés peuvent dégager des odeurs désagréables.
- Enlevez les aliments périmés et pourris du réfrigérateur.

### **La porte ne se ferme pas.**

- Des récipients empêchent la fermeture de la porte. >>>Retirez les emballages qui obstruent la porte.
- Le réfrigérateur n'est pas complètement vertical sur le sol. >>>Ajustez les pieds du réfrigérateur pour l'équilibrer.
- Le sol n'est pas plat ou solide. >>>Assurez-vous que le sol est plat et qu'il peut supporter le poids du réfrigérateur.

### **Les bacs à légumes sont coincés.**

- Il se peut que les denrées touchent le plafond du tiroir. >>>Disposez à nouveau les denrées dans le tiroir.

## **Lea este manual de usuario antes de utilizar el aparato.**

Estimado cliente:

Esperamos que este aparato, que ha sido fabricado en plantas dotadas de la más avanzada tecnología y sometido a los más estrictos procedimientos de control de calidad, le preste un servicio eficaz.

Por lo tanto, lea detenidamente este manual de instrucciones antes de utilizar el aparato y guardar el manual como referencia. Si entrega el aparato a otro propietario, no olvide incluir el manual de usuario.

## **El manual del usuario le ayudará a usar el aparato de manera rápida y segura.**

- Lea el manual antes de instalar y poner en funcionamiento el aparato.
- Asegúrese de haber leído las instrucciones de seguridad.
- Conserve el manual en un sitio de fácil acceso, ya que podría necesitarlo en el futuro.
- Lea los otros documentos incluidos con el producto.

Recuerde que este manual de usuario también es aplicable a otros modelos. Las diferencias entre los modelos se identificarán en el manual.

## **Explicación de los símbolos**

**En este manual se utilizan los siguientes símbolos:**

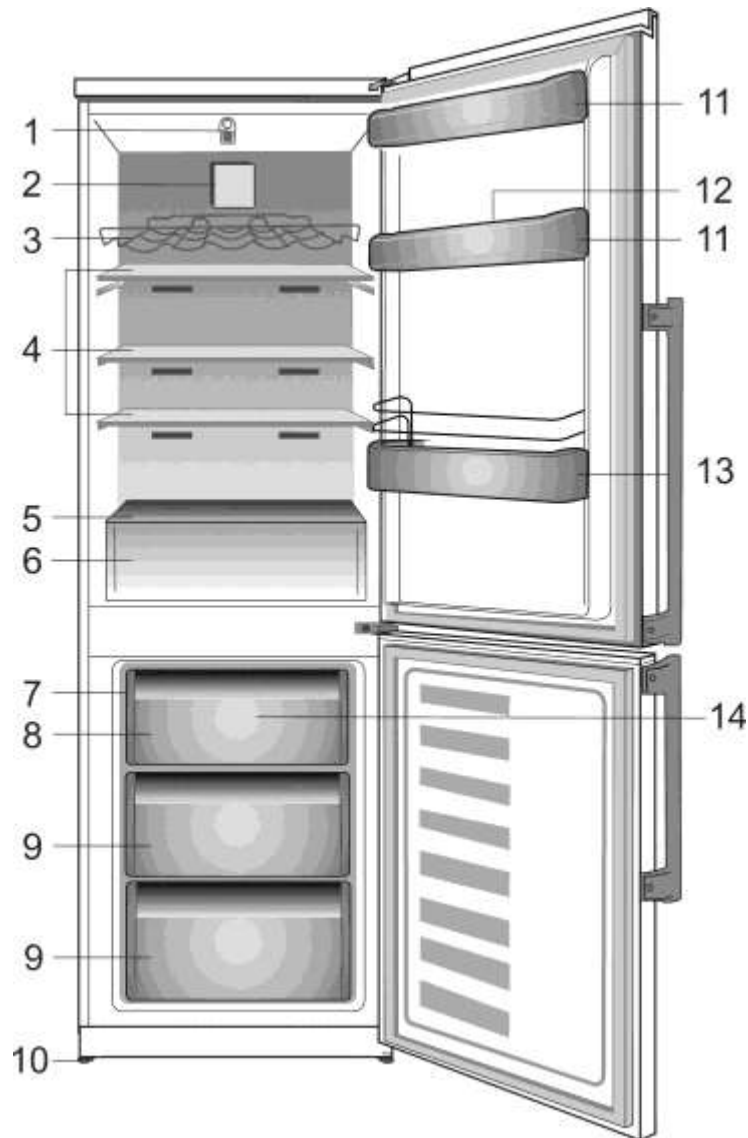
**C** Información importante o consejos útiles.

**A** Advertencia sobre situaciones peligrosas para la vida y la propiedad.

**B** Advertencia acerca de la tensión eléctrica.

<b>1 Su frigorífico</b>	<b>3</b>	<b>4 Preparación</b>	<b>12</b>
<b>2 Avisos importantes sobre la seguridad</b>	<b>4</b>	<b>5 Uso del frigorífico</b>	<b>13</b>
Finalidad prevista.....	4	Botón de ajuste del termostato.....	13
Seguridad general.....	4	Congelación de alimentos frescos.....	14
Para aparatos equipados con dispensador de agua.....	6	Recomendaciones para la conservación de alimentos congelados.....	15
Seguridad infantil.....	6	Recomendaciones para el compartimento de alimentos frescos.....	15
Conformidad con la normativa WEEE y la eliminación del aparato al final de su vida útil.....	6	Inversión de las puertas.....	16
Información sobre el embalaje.....	7	<b>6 Mantenimiento y limpieza</b>	<b>17</b>
Advertencia sobre la seguridad y la salud.....	7	Protección de las superficies plásticas.....	17
Consejos para el ahorro de energía.....	8	<b>7 Resolución de problemas</b>	<b>18</b>
<b>3 Instalación</b>	<b>9</b>		
Puntos a tener en cuenta cuando cambie la ubicación del frigorífico.....	9		
Antes de encender el frigorífico.....	9		
Conexión eléctrica.....	10		
Eliminación del embalaje.....	10		
Eliminación de su viejo frigorífico.....	10		
Colocación e instalación.....	10		
Cambio de la bombilla de iluminación.....	11		
Ajuste de los pies.....	11		

# 1 Su frigorífico



- |   |                                |
|---|--------------------------------|
| 1. Mando de ajuste y luz interior                         | 10. Pies delanteros ajustables |
| 2. Bandeja de alimentos frescos                           | 11. Estante para frascos       |
| 3. Botellero  | 12. Huevera                    |
| 4. Estantes interiores ajustables                         | 13. Estante para botellas      |
| 5. Tapa del cajón de frutas y verduras                    | 14. Ventilador del congelador  |
| 6. Cajones de frutas y verduras                           |                                |
| 7. Soporte de bandeja de hielo y bandeja de hielo         |                                |
| 8. Compartimiento de congelación rápida                   |                                |
| 9. Compartimentos de conservación de alimentos congelados |                                |

C Las ilustraciones incluidas en el presente manual de instrucciones son esquemáticas y puede que no se adecúen a su aparato con exactitud. Si alguno de los elementos reflejados no se corresponde con el aparato que usted ha adquirido, entonces será válido para otros modelos.

## 2 Información importante sobre seguridad

Lea con atención la siguiente información. No seguir sus indicaciones podría acarrear lesiones o daños materiales.

En tal caso, las garantías y los compromisos de fiabilidad quedarían anulados.

La vida útil de su aparato es de 10 años. Durante este periodo estarán disponibles los recambios originales necesarios para que el aparato funcione adecuadamente.

### Finalidad prevista

- Este aparato está diseñado para usarse en los siguientes entornos
- en interiores y entornos cerrados tales como domicilios particulares;
- entornos cerrados de trabajo tales como almacenes u oficinas;
- zonas de servicio cerradas tales como casas rurales, hoteles o pensiones.
- No se debe usar al aire libre.

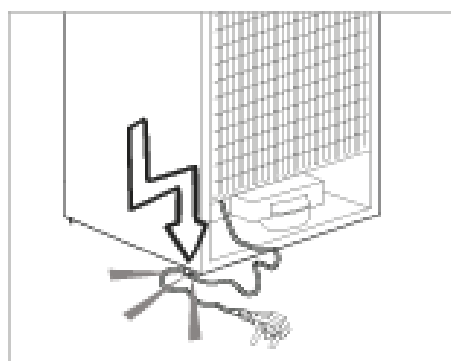
### Seguridad general

- Cuando desee deshacerse del aparato, le recomendamos que solicite a su servicio técnico autorizado la información necesaria a este respecto, así como la relación de entidades locales a las que puede dirigirse.
- En caso de dudas o problemas, diríjase a su servicio técnico autorizado. No intente reparar el frigorífico sin consultar con el servicio técnico, ni deje que nadie lo haga.
- Para aparatos equipados con un compartimento congelador: ¡no consuma los helados o cubitos de hielo inmediatamente después de sacarlos del compartimento congelador! (Ya que podría sufrir daños en su boca a causa del frío.)

- Para aparatos equipados con un compartimento congelador: no deposite bebidas embotelladas o enlatadas en el compartimento congelador. Ya que podrían estallar.
- No toque con las manos los alimentos congelados, ya que podrían adherirse a ellas.
- Desenchufe su frigorífico antes de proceder a su limpieza o descongelación.
- Jamás utilice materiales de limpieza que usen vapor para limpiar o descongelar el frigorífico. El vapor podría entrar en contacto con los elementos eléctricos y causar cortocircuitos o descargas eléctricas.
- Jamás utilice elementos del frigorífico tales como la puerta como medio de sujeción o como escalón.
- No utilice aparatos eléctricos en el interior del frigorífico.
- Evite dañar el circuito del refrigerante con herramientas cortantes o de perforación. El refrigerante que puede liberarse si se perforan los canales de gas del evaporador, los conductos o los recubrimientos de las superficies causa irritaciones en la piel y lesiones en los ojos.
- No cubra ni bloquee los orificios de ventilación de su frigorífico con ningún material.
- Deje la reparación de los aparatos eléctricos únicamente en manos de personal autorizado. Las reparaciones realizadas por personas incompetentes generan riesgos para el usuario.

- En caso de fallo o cuando vaya a realizar cualquier operación de reparación o mantenimiento, desconecte el frigorífico de la corriente apagando el fusible correspondiente o bien desenchufando el aparato.
- No desenchufe el aparato de la toma de corriente tirando del cable.
- Coloque las bebidas de mayor graduación alcohólica juntas y en posición vertical.
- No almacene en el frigorífico aerosoles que contengan sustancias inflamables o explosivas.
- No utilice dispositivos mecánicos u otros medios para acelerar el proceso de descongelación distintos de los recomendados por el fabricante.
- Este aparato no debe ser utilizado por niños o por personas con sus facultades físicas, sensoriales o mentales reducidas o bien que carezcan de la experiencia y los conocimientos necesarios, a menos que lo hagan bajo la supervisión de personas responsables de su seguridad o bien tras haber recibido instrucciones de uso por parte de dichas personas.
- No utilice un frigorífico que haya sufrido daños. Consulte con el servicio de atención al cliente en caso de duda.
- La seguridad eléctrica de su frigorífico sólo estará garantizada si el sistema de toma de tierra de su domicilio se ajusta a los estándares.
- Desde el punto de vista de la seguridad eléctrica, es peligroso exponer el aparato a la lluvia, la nieve o el viento.
- Póngase en contacto con el servicio técnico autorizado en caso de que el cable de alimentación principal se dañe, para evitar cualquier peligro.
- Nunca enchufe el frigorífico en la toma de corriente durante su instalación.  
Existe peligro de lesiones graves e incluso de muerte.

- Este frigorífico está únicamente diseñado para almacenar alimentos. No debe utilizarse para ningún otro propósito.
- La etiqueta que contiene los datos técnicos del frigorífico se encuentra en la parte interior izquierda del mismo.
- Jamás conecte el frigorífico a sistemas de ahorro de electricidad, ya que podría dañarlo.
- Si el frigorífico está equipado con una luz azul, no la mire a través de dispositivos ópticos.
- En los frigoríficos de control manual, si se produce un corte del fluido eléctrico espere al menos 5 minutos antes de volver a ponerlo en marcha.
- Cuando entregue este aparato a un nuevo propietario, asegúrese de entregar también este manual de instrucciones.
- Tenga cuidado de no dañar el cable de alimentación al transportar el frigorífico. Doblar el cable podría causar un incendio. Nunca deposite objetos pesados encima del cable de alimentación.
- No toque el enchufe con las manos mojadas para conectar el aparato.



- No enchufe el frigorífico si el enchufe no encaja con firmeza en la toma de corriente de la pared.
- Por razones de seguridad, no pulverice agua directamente en la partes interiores o exteriores de este aparato.



- No rocíe cerca del frigorífico sustancias que contengan gases inflamables tales como gas propano para evitar riesgos de incendio y explosiones.
- Nunca coloque recipientes con agua sobre el frigorífico, ya que si se derraman, podría provocar una descarga eléctrica o un incendio.
- No sobrecargue el frigorífico con alimentos. Si lo hace, al abrir la puerta del frigorífico los alimentos podrían caerse y provocar lesiones personales o dañar el frigorífico.
- Nunca coloque objetos sobre el frigorífico, ya que podrían caer al abrir o cerrar la puerta.
- No guarde en el frigorífico productos que necesiten un control preciso de la temperatura tales como vacunas, medicamentos sensibles al calor, materiales científicos, etc.
- Desenchufe el frigorífico si no lo va a utilizar durante un periodo prolongado de tiempo. Un problema en el cable de alimentación podría causar un incendio.
- Limpie regularmente la punta del enchufe con un paño seco; de lo contrario podría provocarse un incendio.
- El frigorífico podría moverse si los pies no están adecuadamente asentados en el suelo. Fijar adecuadamente los pies del frigorífico en el suelo puede ayudar a evitar que se mueva.
- Cuando transporte el frigorífico, no lo aferre del asa de la puerta. De lo contrario, podría romperla.
- Cuando tenga que colocar el frigorífico cerca de otro frigorífico o congelador, deberá dejar un espacio entre ambos aparatos de 8 cm como mínimo. De lo contrario, podría formarse humedad en las paredes adyacentes.

## Para aparatos equipados con dispensador de agua;

La presión de la red de suministro de agua debe ser de un mínimo de 1 bar. La presión de la red de suministro de agua debe ser de 8 bares como máximo.


- Use agua potable únicamente.

## Seguridad infantil

- Si la puerta tiene cerradura, mantenga la llave fuera del alcance de los niños.
- Vigile a los niños para evitar que manipulen el aparato.

## Conformidad con la normativa WEEE y eliminación del aparato al final de su vida útil



El símbolo  sobre el producto o en el embalaje indican que el mismo no debe ser tratado como basura doméstica. En lugar de ello, debe ser trasladado al punto de recolección aplicable para el reciclado de dispositivos eléctricos y electrónicos. Al asegurar que este producto se elimine correctamente, usted ayudará a evitar posibles consecuencias negativas tanto para el medio ambiente como para la salud que podrían, por otro lado, ser causados por la manipulación inadecuada de los desechos de este producto. Para obtener mayor información sobre el reciclado de este producto, por favor contáctese con su oficina local, su servicio de eliminación de desechos o con el negocio donde adquirió el producto.

## Información sobre el embalaje

El embalaje del aparato se fabrica con materiales reciclables, de acuerdo con nuestro Reglamento Nacional sobre Medio Ambiente. No elimine los materiales de embalaje junto con los residuos domésticos o de otro tipo. Llévelos a un punto de recogida de materiales de embalaje designado por las autoridades locales.

### No olvide...

Que cualquier sustancia reciclada es una materia indispensable para la naturaleza y nuestro activo en riqueza nacional.

Si desea contribuir a la revaloración de los materiales de embalaje, puede consultarlo con las organizaciones medioambientales o las autoridades municipales de su localidad.

## Advertencia sobre la seguridad y la salud

### Si el sistema de refrigeración de su aparato contiene R600a:

Este gas es inflamable. Por lo tanto, procure no dañar el sistema de enfriamiento ni sus conductos durante el uso o el transporte del aparato. En caso de daños, mantenga el aparato alejado de fuentes potenciales de ignición que puedan provocar que éste sufra un incendio, y ventile la estancia en la que se encuentre el aparato.

El tipo de gas utilizado en el aparato se indica en la placa de datos ubicada en la pared interior izquierda del frigorífico.

Jamás arroje el aparato al fuego.

**A PELIGRO** - Riesgo de incendio o explosión. Se usa refrigerante inflamable. Las reparaciones deben correr a cargo únicamente de personal de asistencia adiestrado. Evite perforar los tubos de refrigerante.

**A PELIGRO** - Riesgo de incendio o explosión. Se usa refrigerante inflamable. Consulte el manual de reparaciones o la guía del propietario antes de intentar reparar este producto. Es preciso observar todas las precauciones de seguridad.

**A PELIGRO** - Riesgo de incendio o explosión. Deshágase del aparato adecuadamente, según lo dispuesto por las normativas nacionales o locales. Se usa refrigerante inflamable.

**A PRECAUCIÓN** - Riesgo de incendio o explosión debido a la perforación de los tubos de refrigerante; siga las instrucciones cuidadosamente. Se usa refrigerante inflamable. Ignore esta advertencia si el sistema de refrigeración de su aparato contiene R134a.

El tipo de gas utilizado en el aparato se indica en la placa de datos ubicada en la pared interior izquierda del frigorífico. Jamás arroje el aparato al fuego.

## Consejos para el ahorro de energía

- No deje las puertas del frigorífico abiertas durante periodos largos de tiempo.
- No introduzca alimentos o bebidas calientes en el frigorífico.
- No sobrecargue el frigorífico, para no entorpecer la circulación del aire en su interior.
- No instale el frigorífico de forma que quede expuesto a la luz solar directa o cerca de aparatos que irradian calor tales como hornos, lavavajillas o radiadores. Mantenga su refrigerador, como mínimo, a 30 cm de las fuentes de calor y como mínimo, a 5 cm de los hornos eléctricos.
- Procure depositar los alimentos en recipientes cerrados.
- Productos equipados con compartimento congelador: puede disponer del máximo volumen para el depósito de alimentos retirando el estante o el cajón del congelador. El consumo energético que se indica para su frigorífico se ha calculado retirando el estante o el cajón del congelador y en condiciones de máxima carga. No existe ningún riesgo en la utilización de un estante o cajón según las formas o tamaños de los alimentos que se van a congelar.
- Descongele los alimentos congelados en el compartimento frigorífico; ahorrará energía y preservará la calidad de los alimentos.

### 3 Instalación

Ⓑ En caso de que la información proporcionada en el manual de instrucciones no se tenga en cuenta, el fabricante no se hará responsable de ello.

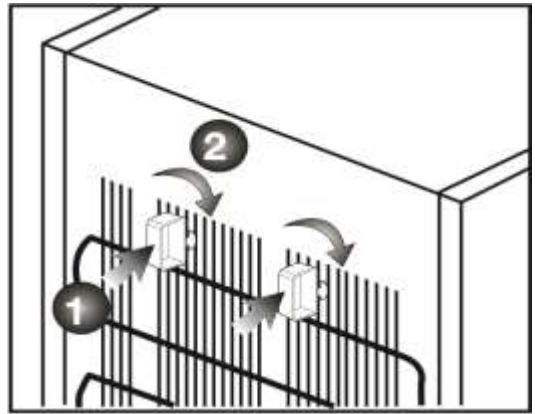
#### **Puntos a tener en cuenta cuando cambie la ubicación del frigorífico**

1. El frigorífico debe estar desenchufado. Antes de transportar el frigorífico, vacíelo y límpielo.
2. Antes de empaquetarlo de nuevo, los estantes, accesorios, cajones, etc. dentro del frigorífico deben fijarse con cinta adhesiva y asegurarse contra los golpes. El embalaje debe ligarse con una cinta gruesa o cuerdas de sonido y siga estrictamente las normas de transporte en el envoltorio.
3. Guarde el embalaje original para futuros traslados.

#### **Antes de encender el frigorífico,**

Verifique lo siguiente antes de empezar a usar el frigorífico:

1. Monte los dos espaciadores de plástico como se ilustra a continuación. Los espaciadores de plástico están pensados para mantener la distancia adecuada entre el frigorífico y la pared para garantizar la circulación de aire. (La ilustración se proporciona como una representación y no es idéntica a su producto.)



2. Limpie el interior del frigorífico de la forma recomendada en la sección “Mantenimiento y Limpieza”.
3. Conecte el enchufe del aparato al toma de corriente de la pared. Cuando la puerta del frigorífico esté abierta, la luz interior del frigorífico se encenderá.
4. Cuando comienza a funcionar el compresor, se oye un sonido. El líquido y los gases contenidos en el sistema de refrigeración pueden también generar ruidos, incluso aunque el compresor no esté funcionando, lo cual es normal.
5. Es posible que las aristas delanteras del aparato se noten calientes al tacto. Esto es normal. Estas zonas deben permanecer calientes para evitar la condensación.

## Conexión eléctrica

Conecte el frigorífico a una toma de corriente provista de toma de tierra y protegida por un fusible de la capacidad adecuada.

Importante:

La conexión debe cumplir con las normativas nacionales.

- El enchufe de alimentación debe ser fácilmente accesible tras la instalación.
- La seguridad eléctrica de su frigorífico sólo estará garantizada si el sistema de toma de tierra de su domicilio se ajusta a los estándares.
- La tensión indicada en la etiqueta ubicada en el lado interior izquierdo del frigorífico debe ser igual a la tensión de la red.
- **No use cables de extensión ni enchufes múltiples para conectar la unidad.**

**B** En caso de que el cable de alimentación esté dañado, solicite su sustitución a un electricista cualificado.

**B** ¡No ponga en funcionamiento el aparato hasta que esté reparado! ¡Existe riesgo de descargas eléctricas!

## Eliminación del embalaje

Los materiales de embalaje pueden ser peligrosos para los niños. Manténgalos fuera de su alcance o deshágase de ellos clasificándolos según las instrucciones para la eliminación de residuos según las instrucciones indicadas por las autoridades locales. No los elimine junto con los residuos domésticos corrientes; deshágase de ellos en los puntos de recogida designados por las autoridades locales.

El embalaje del frigorífico se ha fabricado con materiales reciclables.

## Eliminación de su viejo frigorífico

Deshágase de su viejo frigorífico de manera respetuosa con el medio ambiente.

- Consulte las posibles alternativas a un distribuidor autorizado o al centro de recogida de residuos de su municipio.

Antes de proceder a la eliminación del frigorífico, corte el enchufe y, si las puertas tuvieran cierres, destrúyalos para evitar que los niños corran riesgos.

## Colocación e instalación

**A** Si la puerta de entrada a la estancia donde va a instalar el frigorífico no es lo suficientemente ancha como para permitir su paso, solicite al servicio técnico que retire las puertas del frigorífico y lo pase de lado a través de la puerta.

1. Instale el frigorífico en un lugar en el que pueda utilizarse con comodidad.
2. Mantenga su frigorífico lejos de fuentes de calor, lugares húmedos y luz solar directa.
3. Para que el frigorífico funcione con la máxima eficacia, debe instalarse en una zona que disponga de una ventilación adecuada. Si el frigorífico va a instalarse en un hueco de la pared, debe dejarse un mínimo de 5 cm de separación con el techo y de 5 cm con las paredes. No coloque el aparato sobre objetos tales como alfombras o moquetas.
4. Coloque el frigorífico sobre una superficie lisa para evitar sacudidas.

## Cambio de la bombilla de iluminación

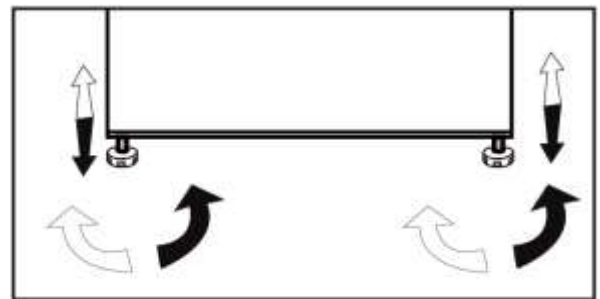
Para cambiar la bombilla/LED utilizada para iluminar el frigorífico, al servicio técnico autorizado.

Las bombillas de este electrodoméstico no sirven para la iluminación en el hogar. Su propósito es el de ayudar al usuario a colocar los alimentos en el frigorífico o congelador de forma cómoda y segura. Las lámparas utilizadas en este electrodoméstico deben soportar unas condiciones físicas extremas como temperaturas inferiores a  $-20^{\circ}\text{C}$ .

## Ajuste de los pies

Si su frigorífico no está equilibrado:

Puede equilibrar el frigorífico girando los pies delanteros tal como se muestra en la ilustración. La esquina correspondiente al pie que está manipulando descenderá al girar el pie en la dirección de la flecha negra y se elevará al girarlo en la dirección opuesta. Le será más fácil realizar esta operación si le pide a alguien que levante ligeramente el frigorífico.

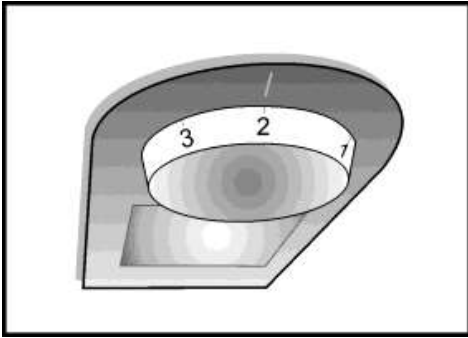


## 4 Preparación

---

- El frigorífico debe instalarse dejando una separación de por lo menos 30 cm respecto de fuentes de calor tales como quemadores, hornos, calefacciones o estufas y de por lo menos 5 cm respecto de hornos eléctricos, evitando asimismo su exposición directa a la luz solar.
- Verifique que el interior del frigorífico se limpie meticulosamente.
- En caso de que vaya a instalar dos frigoríficos uno al lado del otro, debe dejar una separación de por lo menos 2 cm entre ellos.
- Al utilizar el frigorífico por primera vez, siga las siguientes instrucciones referentes a las primeras seis horas.
- No abra la puerta con frecuencia.
- No deposite alimentos en el interior.
- No desenchufe el frigorífico. En caso de corte del suministro eléctrico ajeno a su voluntad, consulte las advertencias de la sección "Sugerencias para la solución de problemas".
- Guarde el embalaje original para futuros traslados.

## 5 Uso del frigorífico



### Botón de ajuste del termostato

La temperatura interior del frigorífico varía por diversos motivos, entre ellos:

- Temperatura de la estación.
- Abrir la puerta con frecuencia y dejarla abierta durante mucho tiempo.
- Introducir en el frigorífico alimentos sin esperar que su temperatura alcance la temperatura ambiente
- La ubicación del frigorífico en la estancia (por ejemplo, que esté expuesto a la luz solar)
- Puede ajustar las variaciones de la temperatura interior debidas, por ejemplo, a la utilización del termostato. Los números alrededor del botón del termostato indican los grados de enfriamiento.

La temperatura se puede ajustar entre los valores 0 a 5, siendo esta última la posición de mayor frío.

La temperatura media del frigorífico no supere los  $+5\text{ }^{\circ}\text{C}$  ( $+41\text{ }^{\circ}\text{F}$ ). Por lo tanto el ajuste del termostato te obtendrá la temperatura deseada. Algunas zonas del frigorífico estarán más calientes (como el cajón de frutas y verduras y la parte superior del compartimento refrigerador) o más frías, lo cual es perfectamente normal.

Aperturas de puerta hace que la temperatura interna aumente, por lo que es aconsejable cerrar la puerta tan pronto como sea posible, después de usar.



## **Congelación de alimentos frescos**

- Envuelva o cubra los alimentos antes de colocarlos en el frigorífico.
  - Los alimentos calientes deben dejarse enfriar hasta alcanzar la temperatura ambiente antes de introducirlos en el frigorífico.
  - Los alimentos que vaya a congelar deben ser frescos y estar en buen estado.
  - Los alimentos deben dividirse en porciones basadas en las necesidades de consumo de la familia.
  - Los alimentos deben empaquetarse herméticamente para evitar que se sequen, incluso aunque vayan a guardarse durante poco tiempo.
  - Los materiales utilizados para empaquetar alimentos deben ser resistentes al frío y a la humedad, y además deben ser herméticos. El envoltorio de los alimentos debe tener un grosor y una resistencia suficientes. De lo contrario, los alimentos endurecidos por la congelación podrían perforar el envoltorio. Es importante que el envase de los alimentos esté bien cerrado para un correcto almacenamiento.
  - Consuma inmediatamente los alimentos recién descongelados, y en ningún caso los vuelva a congelar.
  - Si se introducen alimentos calientes en el compartimento congelador, se obliga al sistema de enfriamiento a funcionar de forma continua hasta congelarlos totalmente.
- Para obtener los mejores resultados, se deben tener en cuenta las siguientes instrucciones.
    1. No congele cantidades demasiado grandes de una sola vez. La calidad de los alimentos se conserva mejor si la congelación alcanza su interior lo antes posible.
    2. Ponga especial cuidado en no mezclar alimentos ya congelados con alimentos frescos.
    3. Asegúrese de que los alimentos crudos no y los alimentos cocinados no estén en contacto en el frigorífico.
    4. El volumen máximo de almacenamiento de alimentos congelados se obtiene sin utilizar los cajones del compartimento congelador. El consumo energético declarado para el frigorífico corresponde al funcionamiento con el compartimento congelador lleno y sin utilizar los cajones. Use la bandeja de rejilla en la parte inferior del compartimento congelador para un mejor consumo energético.
    5. Se recomienda que coloque alimentos en la parte superior del congelador para el primer congelado.

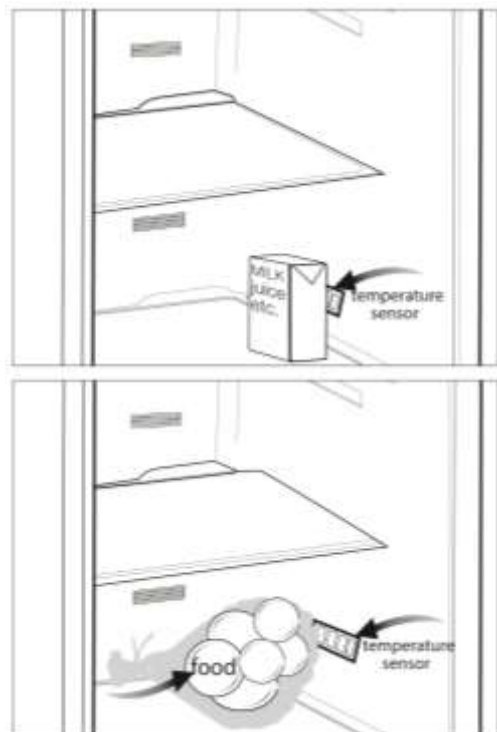
## Recomendaciones para la conservación de alimentos congelados

- Los alimentos congelados ya envasados disponibles en los comercios deben almacenarse de acuerdo con las instrucciones de su fabricante respecto de la conservación en un compartimento congelador de **\* \*\* \*** ( 4 estrellas).
- Si desea garantizar el mantenimiento de la calidad de los alimentos congelados proporcionada por el fabricante y por el comercio, tenga en cuenta lo siguiente:
  1. Coloque los paquetes de alimentos congelados en el congelador lo antes posible tras su compra.
  2. Asegúrese de que todos los contenidos tengan etiqueta y fecha.
  3. Respete las fechas de “Usar antes de” o “Consumir antes de” indicadas en los envases.

## Recomendaciones para el compartimento de alimentos frescos

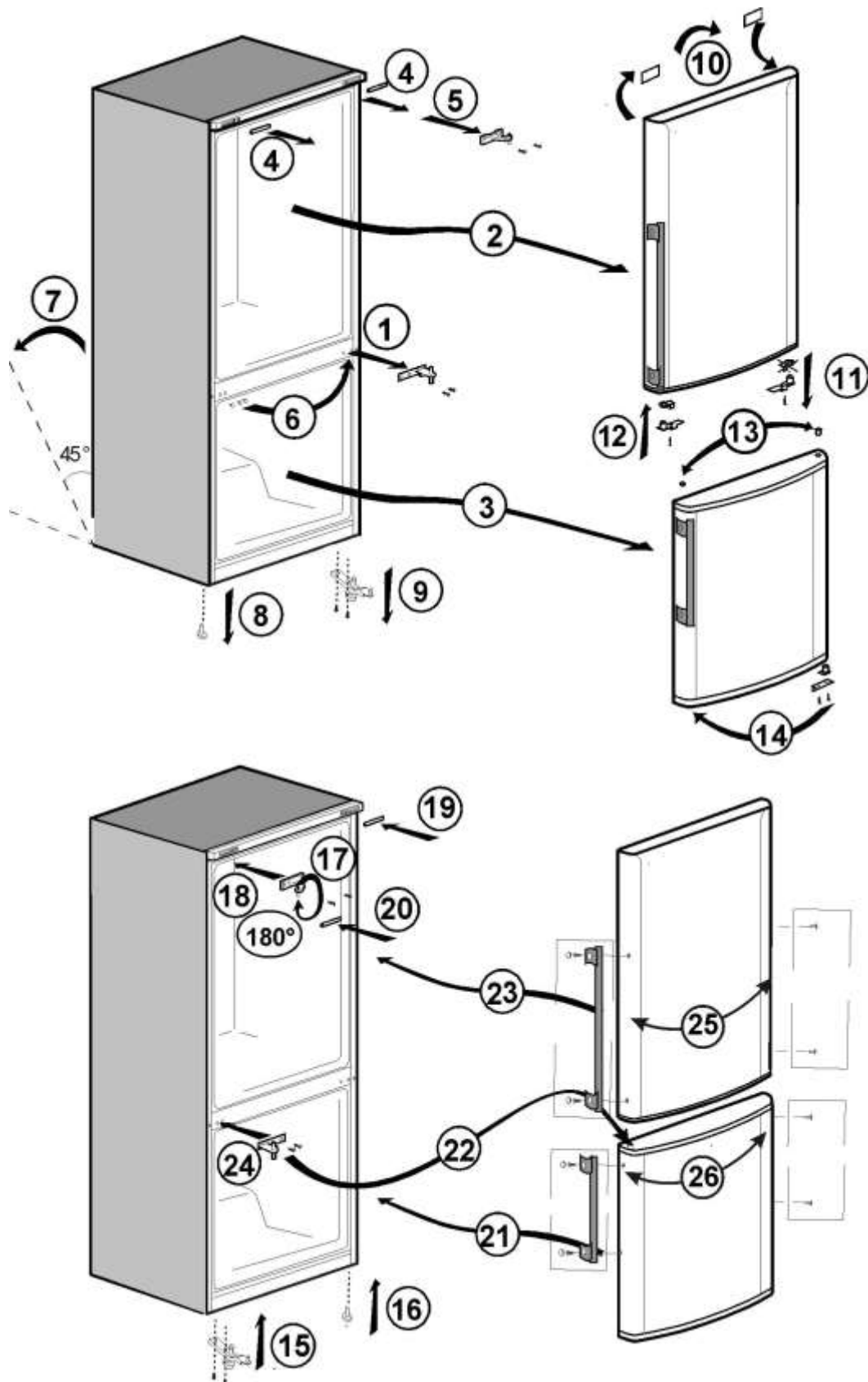
### \*opcional

- No permita que los alimentos estén en contacto con el sensor de temperatura del compartimento de alimentos frescos. Para que el compartimento de alimentos frescos mantenga la temperatura ideal de conservación, evite que los alimentos obstruyan el sensor de temperatura.
- No almacene alimentos en el frigorífico.



## Inversión de las puertas

Proceder en orden numérico.



## 6 Mantenimiento y limpieza

---

- A** No utilice nunca gasolina, benceno o sustancias similares para la limpieza.
- B** Le recomendamos desenchufar el aparato antes de proceder a su limpieza.
- B** No utilice nunca para la limpieza instrumentos afilados o sustancias abrasivas, jabones, limpiadores domésticos, detergentes ni ceras abrillantadoras.
- C** Limpie el armario del frigorífico con agua tibia y séquelo con un paño.
- C** Para limpiar el interior y secarlo, utilice un paño humedecido en un vaso grande de agua con una cucharadita de bicarbonato sódico disuelta y séquelo.
- B** Asegúrese de que no penetre agua en el alojamiento de la lámpara ni en otros elementos eléctricos.
- B** Si no va a utilizar el frigorífico durante un periodo prolongado, desenchúfelo, retire todos los alimentos, límpielo y deje la puerta entreabierta.
- C** Compruebe regularmente los cierres herméticos de la puerta para asegurarse de que estén limpios y sin restos de alimentos.
- A** Para extraer las bandejas de la puerta, retire todo su contenido y, a continuación, simplemente empuje la bandeja hacia arriba desde su base.

**A** Nunca use agentes de limpieza o agua que contengan cloro para limpiar las superficies exteriores y los cromados del producto. El cloro corroe dichas superficies metálicas.

### **Protección de las superficies de plástico**

**C** No deposite aceites líquidos o alimentos aceitosos en recipientes no cerrados ya que dañarán las superficies de plástico de su frigorífico. En caso de derrame de aceite sobre las superficies de plástico, limpie y enjuague con agua caliente la parte afectada de inmediato.

## 7 Resolución de problemas

Le rogamos consulte la siguiente lista antes de llamar al servicio técnico. Puede ahorrarle tiempo y dinero. Esta lista incluye problemas frecuentes no achacables a defectos en materiales o manufactura. Es posible que algunas de las características

### **El frigorífico no funciona.**

- El enchufe no está insertado en la toma de corriente. >>>Inserte el enchufe con firmeza en la toma de corriente.
- El fusible del enchufe al cual ha conectado el frigorífico están fundidos >>>Compruebe el fusible.

### **Condensación en la pared lateral del compartimento frigorífico (MULTIZONA, CONTROL DE FRÍO y FLEXI ZONA).**

- El ambiente es muy frío. >>> No instale el frigorífico en lugares en donde la temperatura sea inferior a los 10 °C.
- La puerta se ha abierto con frecuencia. >>>No abra y cierre las puertas del frigorífico con frecuencia.
- El ambiente es muy húmedo. >>> No instale el frigorífico en lugares con una humedad muy alta.
- Se almacenan alimentos que contienen líquidos en recipientes abiertos. >>> No guarde los alimentos con contenidos líquidos en recipientes cerrados.
- La puerta del frigorífico se ha dejado entreabierta.>>>Cierre la puerta del frigorífico.
- El termostato está ajustado a un nivel muy bajo. >>> Ajuste el termostato a un nivel adecuado.

### **El compresor no funciona**

- El dispositivo térmico protector del compresor saltará en caso de un corte súbito de energía o de idas y venidas de la corriente, ya que la presión del refrigerante en el sistema de enfriamiento aún no se ha estabilizado. Su frigorífico se pondrá en marcha transcurridos unos 6 minutos. Llame al servicio técnico si su frigorífico no se pone en marcha transcurrido ese periodo.
- El frigorífico se encuentra en el ciclo de descongelación. >>>Esto es normal en un frigorífico con descongelación automática. El ciclo de descongelación se produce de forma periódica.
- El aparato no está enchufado. >>>Asegúrese de que el enchufe esté colocado en la toma.
- La temperatura no se ha fijado correctamente. >>> Seleccione un valor de temperatura adecuado.
- Hay un apagón. >>>El frigorífico vuelve a operar con normalidad una vez restablecida la alimentación eléctrica.

### **El nivel de ruidos propios del funcionamiento se incrementa cuando el frigorífico está en marcha.**

El rendimiento del frigorífico puede cambiar en función de las variaciones en la temperatura ambiente. Esto es perfectamente normal, no es ninguna avería.

**El frigorífico entra en funcionamiento con frecuencia o durante periodos prolongados.**

- Puede que su nuevo aparato sea más grande que el anterior. Los frigoríficos de mayor tamaño funcionan durante periodos de tiempo más largos.
- Puede que la temperatura ambiente sea alta. >>>Es normal que el aparato funcione durante periodos de tiempo más largos si hace calor.
- Es posible que haya enchufado el frigorífico o bien lo haya cargado de alimentos recientemente.  
>>>Cuando el frigorífico se ha enchufado o cargado con alimentos recientemente, le costará más alcanzar la temperatura fijada. Esto es normal.
- Es posible que recientemente haya depositado grandes cantidades de alimentos en el frigorífico. >>> No deposite alimentos calientes en el interior del frigorífico.
- Puede que las puertas se abran con frecuencia o se hayan dejado entreabiertas por un tiempo prolongado. >>>El aire caliente que ha penetrado en el frigorífico hace que éste funcione durante más tiempo. No abra las puertas con frecuencia.  
La puerta del compartimento frigorífico o congelador se ha dejado entreabierta.>>>Compruebe que las puertas estén totalmente cerradas.
- El aparato está ajustado a una temperatura muy baja. >>>Ajuste la temperatura del frigorífico a un valor más alto y espere a que se alcance dicha temperatura.
- Es posible que la junta de la puerta del compartimento frigorífico o congelador esté sucia, desgastada, rota o no asentada correctamente. >>> Limpie o sustituya la junta. Una junta rota o dañada hace que el frigorífico funcione durante más tiempo con el fin de mantener la temperatura actual.

**La temperatura del congelador es muy baja, mientras que la del frigorífico es correcta.**

- La temperatura del congelador está ajustada a un valor muy bajo. >>> Ajuste la temperatura del congelador a un valor más alto y compruébelo.

**La temperatura del frigorífico es muy baja, mientras que la del congelador es suficiente.**

- La temperatura del frigorífico está ajustada a un valor muy bajo. >>> Ajuste la temperatura del frigorífico a un valor más alto y compruébelo.

**Los alimentos depositados en los cajones del compartimento frigorífico se han congelado.**

- La temperatura del frigorífico está ajustada a un valor muy alto. >>> Ajuste la temperatura del congelador a un valor más bajo y compruébelo.

### **La temperatura del congelador o del frigorífico es muy alta.**

- La temperatura del frigorífico está ajustada a un valor muy alto. >>> El valor de la temperatura del compartimento frigorífico afecta a la temperatura del congelador. Cambie las temperaturas del frigorífico o el congelador y espere hasta que los compartimentos pertinentes alcancen una temperatura suficiente.
- Las puertas se abren con frecuencia o se han dejado entreabiertas durante un tiempo prolongado. >>>No abra las puertas con frecuencia.
- La puerta está entreabierta. >>>Cierre la puerta del todo.
- El frigorífico se ha enchufado o se ha cargado de alimentos recientemente.>>>Esto es normal.

Cuando el frigorífico se ha enchufado o cargado con alimentos recientemente, le costará más alcanzar la temperatura fijada.

- Es posible que recientemente haya depositado grandes cantidades de alimentos en el frigorífico. >>> No deposite alimentos calientes en el interior del frigorífico.

### **Vibraciones o ruidos.**

- El suelo no está nivelado o no es estable. >>>Si el frigorífico oscila al moverlo lentamente, equilíbrela ajustando los pies. Compruebe además que el suelo esté nivelado y que sea capaz de soportar el peso del frigorífico.
- Los objetos colocados sobre el frigorífico pueden hacer ruido. >>>Retire los elementos de la parte superior del frigorífico.

### **Pueden oírse ruidos como si un líquido fluyera, se pulverizara, etc.**

- Los líquidos y gases fluyen en función de los principios de funcionamiento del frigorífico. Esto es perfectamente normal, no es ninguna avería.

### **El frigorífico emite silbidos.**

- Se utilizan ventilador para enfriar el frigorífico. Esto es perfectamente normal, no es ninguna avería.

### **Condensación en las paredes interiores del frigorífico.**

- El tiempo cálido y húmedo aumenta la formación de hielo y la condensación. Esto es perfectamente normal, no es ninguna avería.
- Las puertas se abren con frecuencia o se han dejado entreabiertas durante un tiempo prolongado. >>>No abra las puertas con frecuencia. Cíerrelas si están abiertas.
- La puerta está entreabierta. >>>Cierre la puerta del todo.

### **Hay humedad en el exterior del frigorífico o entre las puertas.**

- Puede haber humedad en el aire; es algo bastante normal en lugares húmedos. Cuando el grado de humedad descienda, la condensación desaparecerá.

**Mal olor en el interior del frigorífico.**

- No se realiza ninguna limpieza regular. >>> Limpie el interior del electrodoméstico de forma regular con una esponja empapada en agua tibia o carbonato disuelto en agua.
- Es posible que el olor provenga de algún recipiente o envoltorio. >>> Utilice otro recipiente o materiales para envolver de una marca diferente.
- Se almacenan en el frigorífico alimentos en recipientes no cubiertos. >>> Mantenga los alimentos en contenedores cerrados. Los microorganismos que proliferan en los envases no cubiertos pueden causar malos olores.
- Retire del frigorífico los alimentos cuya fecha de caducidad haya vencido y estén en mal estado.

**La puerta no cierra.**

- Los paquetes de alimentos impiden que las puertas se cierren. >>> Sustituya los paquetes que estén obstruyendo la puerta.
- El frigorífico no se asienta completamente vertical sobre el suelo. >>> Ajuste los pies para equilibrar el frigorífico.
- El suelo no está equilibrado o no es sólido. >>> Compruebe además que el suelo esté nivelado y que sea capaz de soportar el peso del frigorífico.

**Los cajones están atascados.**

- Es posible que algún alimento toque el techo del cajón. >>> Cambie la distribución de los alimentos en el cajón.









