

Refrigerator
Réfrigérateur
Refrigerador

BRFB 1450 SS
BRFB 1452 SS

Bedienungsanleitung
Operating instructions

Blomberg

en-Index**1-11**

Safety first.....	/1
Transport instructions	/2
Disposal	/2
Appliance Setup.....	/2
Get to know your device	/3
Prior to startup	/3
Setting the operating temperature	/4
Cooling.....	/4
Defrosting of the appliance (Fresh Food) ..	/5
Freezing.....	/5
Defrosting of the appliance (Frozen Food)/	6
Cleaning and care.....	/7
Practical tips and notes.....	/7
Changing the illumination lamp.....	/7
Normal operating noises	/8
Examples of use	/9
What, if.....	/9
Repositioning the doors	/10
Dimensions.....	/11

fr-Index**1-11**

La sécurité d'abord	/1
Instructions de transport	/2
Mise au rebut.....	/2
Installation de l'appareil	/2
Apprendre à connaître votre appareil	/3
Avant la mise en service.....	/3
Réglage de la température de fonctionnement	/4
Réfrigération	/4
Dégivrage de l'appareil (produits frais)	/5
Congélation.....	/5
Dégivrage de l'appareil (produits congelés)	/6
Remplacement de la lampe.....	/7
Nettoyage et entretien	/7
Conseils pratiques et remarques	/7
Bruits normaux de fonctionnement	/8
Exemples d'utilisation	/9
En cas de.....	/9
Repositionnement des portes	/10
Dimensions.....	/11

es Índice**1-11**

La seguridad es lo primero.....	/1
Instrucciones de transporte	/2
Cómo desechar.....	/2
Instalación del aparato	/2
Conociendo al aparato	/3
Antes de la colocación	/3
Cómo establecer la temperatura de funcionamiento	/4
Refrigeración	/4
Cómo descongelar el aparato (alimentos frescos)	/5
Congelación	/5
Cómo descongelar el aparato (alimentos congelados)	/6
Cambio de la bombilla de iluminación.....	/7
Limpieza y mantenimiento.....	/7
Consejos prácticos y notas	/7
Ruidos durante el funcionamiento	/8
Ejemplos de utilización	/9
Qué hacer en caso de que.....	/9
Cómo cambiar la posición de las puertas.....	/10
Dimensiones.....	/11

Congratulations on your choice of our product which will certainly provide you with many years of good service.

Safety comes first!

Please read this Instruction Manual carefully. It contains important information on how to use your new appliance. If instructions are not adhered to, you may lose your right to service at no charge during the warranty period. Please keep this manual in a safe place and pass it on to later users if applicable.

- Do not connect your appliance to the power supply until all packing and transit protectors have been removed.
- Leave to stand upright for at least 4 hours before switching on to allow the system to settle if transported horizontally.
- This appliance must only be used for its intended purpose, i.e. the storing and freezing of edible foodstuff.
- We do not recommend use of this appliance in an unheated, cold room e.g. garage, conservatory, annex, shed, outdoors etc., see 'Location'.
- On delivery, check to make sure that the product is not damaged and that all the parts and accessories are in perfect condition.
- Do not operate a damaged appliance if in doubt, check with your dealer.
- Do not allow children to play with the appliance.
- Do not sit or stand on, or let the children sit or stand on the appliance or on the pull-out parts.
- Do not hang on the appliance door.

Intended use

This product is intended to be used

- indoors and in closed areas such as homes;
- in closed working environments such as stores and offices;
- in closed accommodation areas such as farm houses, hotels, pensions.
- This product should not be used outdoors.
- Do not dispose of the appliance in a fire. Your appliance contains non CFC substances in the insulation which are flammable.
- Please contact your local authority in your region for information on disposal methods and facilities available.
- ⚠ **Warning** - Keep ventilation openings on the appliance enclosure or in the built-in structure, clear of obstruction.
- ⚠ **Warning** - Do not use mechanical devices or other means to accelerate the defrosting process, other than those recommended by the manufacturer.
- ⚠ **Warning** - Do not damage the refrigerant circuit.
- ⚠ **Warning** - Do not use electrical devices inside the food storage compartments of the appliance, unless they are of the type recommended by the manufacturer.

- Avoid touching the metal condenser wiring on the backside of the appliance there is risk of injury.
- In the event of a possible malfunction, disconnect the appliance from the power supply first.
- Prior to cleaning the appliance always unplug the appliance or switch off the circuit breaker. Do not pull from the power cable. Pull from the plug.
- Repairs to the electrical equipment may only be made by qualified experts. If the power cable is damaged, the manufacturer or customer service must replace it in order to avoid danger.
- Installation and repair should be performed by a qualified technician or a licensed contractor. Any operation performed on the product by an unauthorized person may render the warranty void and result in health risk and property damage.
- This appliance is not intended for use by persons (including children) with reduced physical, sensory or mental capabilities, or lack of experience and knowledge, unless they have been given supervision or instruction concerning use of the appliance by a person responsible for their safety.
- Children should be supervised to ensure that they do not play with the appliance.

DANGER : Risk of child entrapment. Before you throw away your old refrigerator or freezer:

- Take off the doors
- Leave the shelves in place so that children may not easily climb inside.

Transport instructions

The device should be transported only in upright position. The packing as supplied must be intact during transportation.

If refrigerator has been transported or carried in the horizontal position, the refrigerator may only be plugged in after being in the vertical position for 4 hours. Plugging in the refrigerator any sooner may result in damage to the refrigerator and affect your warranty.

⚠ Disposal

Make the device unusable immediately. Pull out the mains plug and cut the power cable. Remove or destroy snap or latch locks before disposing of the device. In this manner you prevent children from locking themselves in and endangering their lives.

Appliance setup

- Do not operate your appliance in a room where the temperature is likely to fall below 10 °C at night and/or especially in winter. At lower temperatures the appliance may not operate, resulting in a reduction in the storage life of the food.

- The climate class rate of your appliance is given on the rating label located inside the appliance. It specifies the appropriate operating ambient temperatures as explained below.

Climatic class Ambient temperatures

SN.....	+10 °C to 32 °C
N.....	+16 °C to 32 °C
ST.....	+18 °C to 38 °C
T.....	+18 °C to 43 °C
SN-ST.....	+10 °C to 38 °C
SN-T.....	+10 °C to 43 °C

Location

Only place the device in dry rooms which can be aired.

Avoid direct sunlight or direct heat sources such as a stove or a heater.

If this cannot be avoided, the following minimum distances should be maintained:

Electric stoves: 3,00 cm

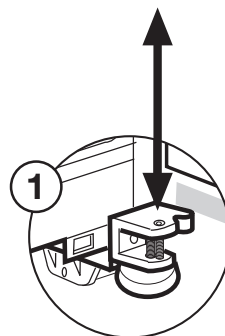
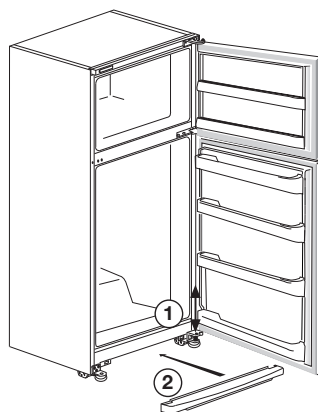
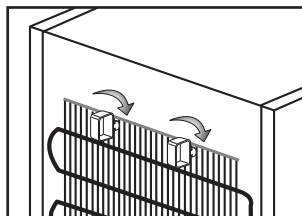
Heater: 3,00 cm

Cooling devices: 2,50 cm

- Ensure sufficient air circulation for your device.

- Make sure that sufficient room is provided around the appliance to ensure free air circulation.

Fit the two plastic wall spacers supplied with the appliance rotating 1/4 turn to the condenser at the back of the appliance.



1-Screw pins on the lower hinges are removed from their place with the aid of a suitable wrench.
2-Assembly the kick plate

- The device should be located on a smooth surface. The two front feet can be adjusted as required. To ensure that your appliance is standing upright adjust the two front feet by turning clockwise or counter-clockwise, until the product is in firm contact with the floor. Correct adjustment of feet avoids excessive vibration and noise.

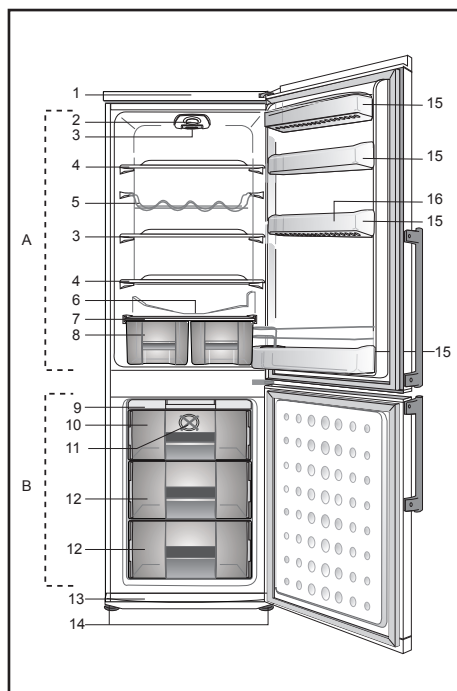
Electrical connections

Warning

This appliance must be grounded.

- Check whether the power type and voltage your region corresponds to the one stated on the rating label inside the appliance.
 - The electrical safety of the appliance is only assured when the grounding system in the house is installed in accordance with regulations.

- When placing the appliance, do not let the power cable get stuck under it; otherwise the cable will be damaged.
- Ensure that the plug remains readily accessible. Do not use a multiple adapter bar or an extension cable.
- The electrical specifications of your appliance is given on the rating label located inside the appliance.
- Route power cable to allow easy connection and disconnection after installation.
- A contact separator should be used if the power cable is not accessible. (for built-in models)
- We do not recommend use of extension cord.



Prior to startup

Before you begin operating your device, the following points should be re-checked for safety:

- Is the device standing properly on the floor?
- Is there sufficient space for good air circulation?
- Is the interior clean? (Also see the section "Cleaning and care")
- Set the thermostat knob half way between 1 and 5 or Min. and Max.
- Now connect the device to the mains.

The compressor is turned on; the interior light comes on when the door is opened.

Do not place foodstuff into the refrigerator until the temperature has reached the desired level.

Getting to know your appliance

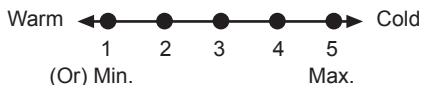
Warning

Below information about accessories are supplied only for reference. Below accessories may not be exactly same as the accessories of your appliance.

1. Front panel
2. Interior light
3. Thermostat knob
4. Movable shelves
5. Wine rack
6. Defrost water collection channel
- Drain tube
7. Crisper cover
8. Salad crisper
9. Ice bank
10. Fast freeze compartment
11. Freezer fan
12. Freezer compartment
13. Air grille
14. Adjustable front feet
15. Adjustable door shelves
16. Egg tray

Setting the operating temperature

The operating temperature is regulated by the temperature control.



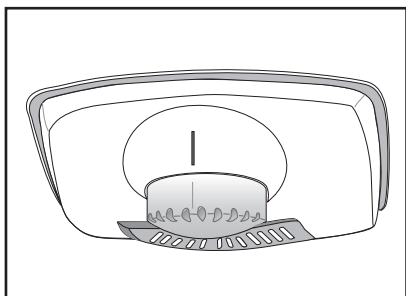
1 = Lowest cooling setting (Warmest setting)

5 = Highest cooling setting (Coldest setting)

(Or)

Min. = Lowest cooling setting
(Warmest setting)

Max. = Highest cooling setting
(Coldest setting)



The average temperature inside the fridge should be around +5°C.

Please choose the setting according to the desired temperature.

You can stop operation of your device by adjusting the thermostat knob to "0" position.

Please note that there will be different temperatures in the cooling area.

The coldest region is immediately above the vegetable compartment.

The interior temperature also depends on ambient temperature, the frequency with which the door is opened and the amount of foods kept inside.

Frequently opening the door causes the interior temperature to rise.

For this reason, it is recommended to close the door again as soon as possible after use.

Cooling

Food storage

The **fridge compartment** is for the short-term storage of fresh food and drinks.

Store milk products in the intended compartment in the refrigerator.

Bottles can be stored in the bottle holder or in the bottle shelf of the door.

Raw meat is best kept in a polyethylene bag in the compartment at the very bottom of the refrigerator.

Allow hot foods and beverages to cool to room temperature prior to placing them in the refrigerator.

Attention

Store concentrated alcohol only standing upright and tightly closed.

Attention

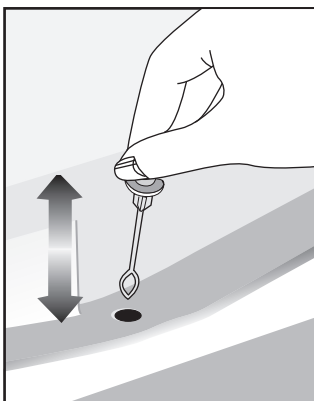
Do not store explosive substances or containers with flammable propellant gases (canned cream, spray cans etc.) in the device. There is a **danger of explosion**.

Defrosting of the appliance

The fridge compartment defrosts automatically. The thawing water flows through the drain channel into a collection container at the rear of the device.


If the fresh food section goes thru a cycle defrost it is normal to see the formation of water droplets (frozen) on the evaporator if the water has not completely fallen of the evaporator.

Check the flow of the thawed water from time to time. It may become plugged occasionally. Clean it with a q-tip or similar (see the section "Cleaning and care").



Freezing

Freezing food

The freezing compartment is marked with  this symbol.

You can use the appliance for freezing fresh food as well as for storing pre-frozen food. Please refer to the recommendations given on the packaging of your food.

Attention

Do not freeze fizzy drinks, as the bottle may burst when the liquid in it is frozen.

Be careful with frozen products such as colored ice-cubes.

Do not exceed the freezing capacity of your appliance in 24 hours. See the rating label. In order to maintain the quality of the food, the freezing must be effected as rapidly as possible. Thus, the freezing capacity will not be exceeded, and the temperature inside the freezer will not rise.

Attention

Keep the already deep-frozen food always separated with freshly placed food.

When deep-freezing hot food, the cooling compressor will work until the food is completely frozen. This can temporarily cause excessive cooling of the refrigeration compartment.

If you find the freezer door difficult to open just after you have closed it, don't worry. This is due to the pressure difference which will equalize and allow the door to open normally after a few minutes.

You will hear a vacuum sound just after closing the door. This is quite normal.

Defrosting of the appliance

The freezer compartment defrosts automatically.

Warnings!

The fan inside the freezer compartment circulates cold air.

Never insert any object through the guard. Do not allow children to play with the freezer fan.

Never store products that contain inflammable propellant gas (e.g. dispensers, spray cans etc.) or explosive substances.

Don't cover the shelves with any protective materials, which may obstruct air circulation. Do not allow children to play with the appliance or tamper with the controls.

Do not obstruct the freezer fan guard to ensure that you obtain the best possible performance from your appliance.

Changing the illumination lamp

To change the lamp used for illumination of your refrigerator, please call your Authorized Service.

Cleaning and care

Interior and Exterior Surfaces

Attention

Always unplug the power cable or switch off the circuit breaker before cleaning.

Clean the exterior using lukewarm water and a mild detergent.

Never use detergents, abrasive or acidic agents.

Wipe the inside compartment dry.

Be careful to prevent water from getting into contact with the electrical connections of the temperature control or the interior light.

If the device is not going to be used for a long period of time, switch it off and remove all food. Clean the device and keep the door open.

To preserve the appearance of your device, you can polish the exterior and the door accessories with a silicone wax.

Clean the condenser at the back of the device once a year using a brush or a vacuum cleaner. Dust build-up leads to increased energy consumption.

Inspect the door gasket at regular intervals. Clean with water only, and wipe totally dry.

Cleaning of the accessories

Door shelves:

Remove all food from the door shelves. Lift the cover of the shelf upwards and pull it off sideward. Remove the bottom of the door shelf by pushing it upwards.

Collecting container (Pan):

Make sure that the pan at the back of the device is always clean. Gently release the snap of the pan from the compressor by pushing it using a tool (like screwdriver), so that the pan can be removed.

Lift the pan, clean it and wipe it dry. Re-assemble in reverse order.

Crisper or Drawers:

To clean a drawer, pull it out as far as possible, tilt it upwards and then pull it out completely.

Practical tips and notes

Cooling

- Clean fresh food and vegetables before storing in the crisper bin.
- Always pack or wrap food, or put it in a suitable container, before storing it in the appliance.
- Wrap food which is not suitable for storage at cold temperatures in polyethylene bags (pineapple, melons, cucumbers, tomatoes etc.).
- Food with strong odor or apt to acquire odor should be wrapped in airtight or smell-proof packaging material.
- Keep fresh food separate from cooked food, to avoid bacteria contamination.
- Never keep fresh meat in the fridge for more than 2 or 3 days.
- Remove any left-over canned food from the can and store it in a suitable container.
- Refer to the shelf life indicated on the food packaging.
- Do not obstruct the air circulation inside the device by covering the shelves.
- Never keep any dangerous or poisonous substances inside your device.
- Always check food that has been stored for a long period of time for its suitability for consumption.
- Do not store fresh and cooked food together in the same container.
- Close the door immediately after opening, to avoid unnecessary energy consumption.
- Do not use hard or sharp objects to remove the ice build-up.
- Do not load hot food into your device.

Freezing

- Always leave food to thaw in a container that allows the thawing water to run off.
- Do not exceed the maximum allowable freezing capacity when freezing fresh food (see the section "Freezing")
- Do not give children ice-cream and water ices direct from the freezer.

The low temperature may cause freezer burns on lips.

- Never re-freeze defrosted food; defrosted food must be consumed within 24 hours. Only food that has been cooked can be refrozen.
- Do not take out frozen food with wet hands.
- Store only fresh and impeccable food.
- Always use appropriate packaging material to avoid odor penetration or degradation of the food.
- Store commercially frozen food in accordance with the instructions given on the packaging.
- Freeze cooked food in small quantities. This ensures rapid freezing and maintains the quality of the food.
- Do not freeze liquid in tightly closed bottles or containers. The bottles/containers may burst at low temperatures.
- Carry pre-frozen food in suitable bags and place it in your freezer as soon as possible. Always defrost food in the fridge compartment.

! Notice:

- If your refrigerator is not operating properly after following these steps: Contact your dealer to schedule an authorized service agent to inspect your new refrigerator for any functional related failure.
- The manufacturers warranty does not cover installation or customer education service visits.

You will find the model and serial number information on the label located on the right-hand side of your refrigerator inner liner as shown below:

Normal operating noises

Various functional noises are completely normal due to the operation of the cooling system of your appliance;

- Gurgling, hissing, boiling or bubbling noises are caused by the refrigerant, circulating inside the cooling system. These noises can still be heard for a short period of time after the compressor shuts off.
- Sudden, sharp cracking or popping noises are caused by the expansion and contraction of the inside walls or some components inside the cabinets.
- Buzzing, whirring, pulsating or high-pitched humming noises are caused by the compressor. These noises are slightly louder at the start-up of the compressor and reduce when the appliance reaches the operating temperatures.

Also to avoid disturbing vibrations and noises make sure that;

- Your refrigerator is standing level on all four feet.
- Your refrigerator is not in contact with the walls, surrounding objects or kitchen cabinets and furniture.
- Cans, bottles or dishes inside the refrigerator are not touching and rattling against each other.
- All shelves and bins are mounted correctly inside the refrigerator cabinets and doors.

Examples of Use

White wine, beer and mineral water	chill before use
Bananas	do not store in a fridge
Fish or offal	store in polyethylene bags only
Cheese	use airtight containers or polyethylene bags; for best results, take out from the fridge an hour before consumption.
Melons	store only for a short period of time, use airtight packaging/wrapping
Raw meat and poultry	do not store together with delicate food such as cooked food or milk

What, if....



1- The device will not work, even though it is switched on.

- Check if the mains plug is properly connected!
- Check if the mains supply is in order, or if a fuse has been tripped!
- Check the temperature control for correct setting!

2- There is a power failure.

Your freezer is suitable for the long-term storage of frozen food that are available commercially and also can be used to freeze and store fresh food.

Do not open the door in case of a power failure.

For a   rated appliance, frozen food in the freezer compartment will not be affected if the power failure lasts shorter than the "Conservation Time From Failure (hours)" mentioned in the rating label.

If the power failure is longer than the "Conservation Time From Failure (hours)", then the food should be checked and either consumed immediately or cooked and then re-frozen.

3- The interior light does not work.

Check the power supply!

Check the installation of the light bulb! Unplug the power supply before checking the light bulb. (Also see the section "Replacing the interior light")

4- Other possible malfunctions

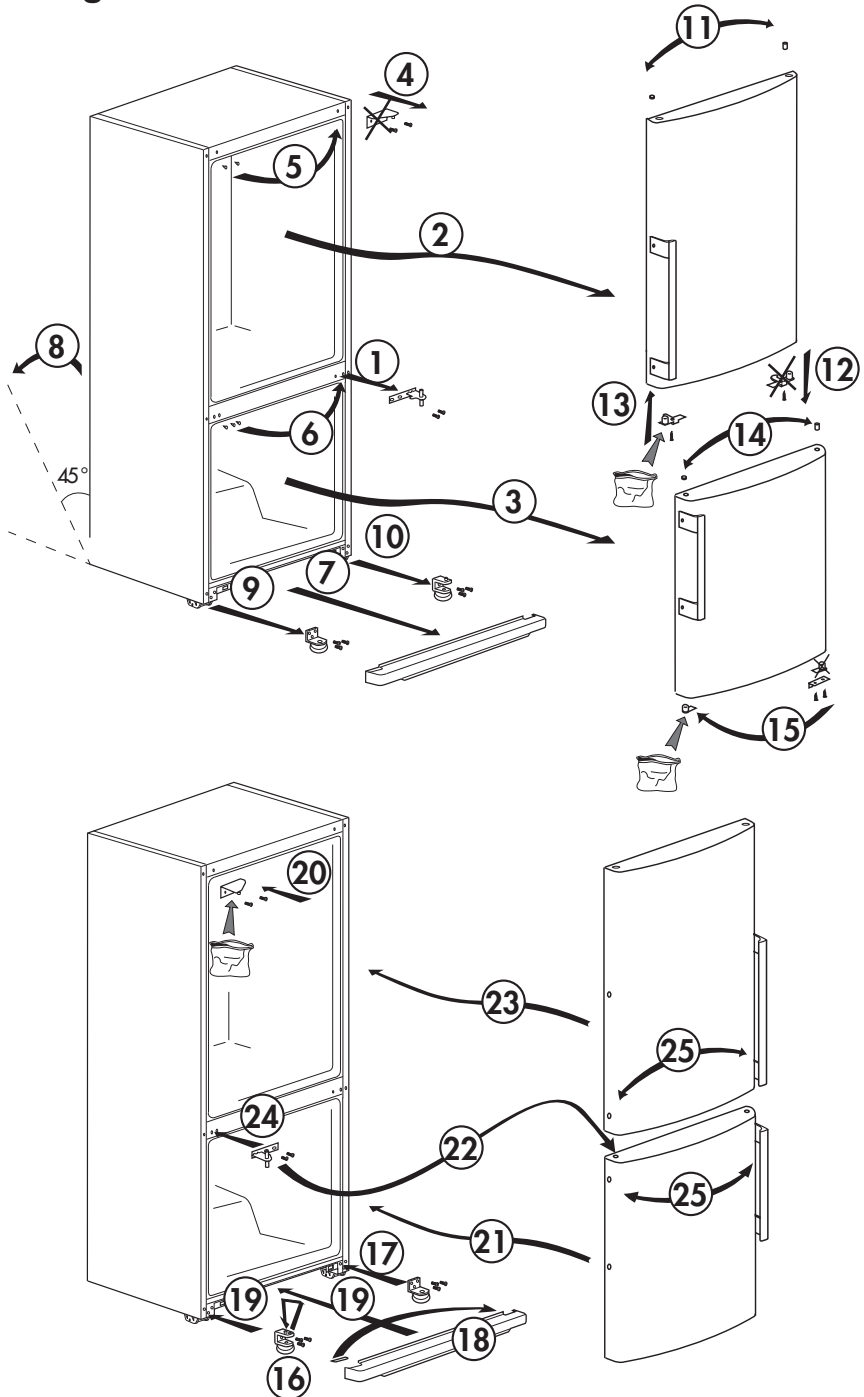
Not every malfunction is a case for our customer service. Very often, you can easily resolve the problem without requesting service. Before requesting service, please check if the malfunction has been caused by an operating error. If this is the case, and a service has been requested, a service charge will be levied even if the device is still under guarantee.

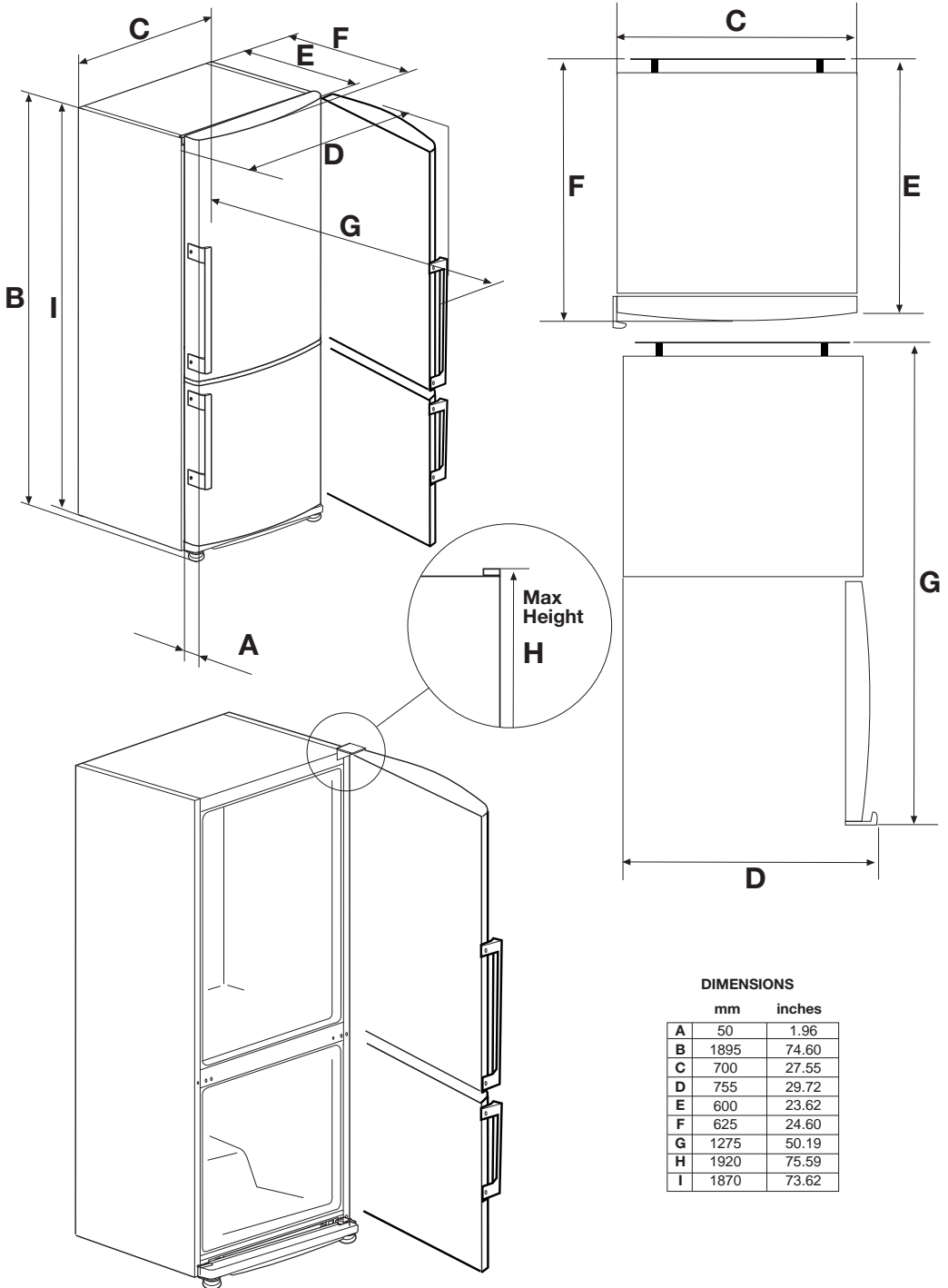
If the problem persists please contact your dealer or customer service.

Please have the type and serial number of your device when calling. The rating label is located inside.

Reversing the doors

Proceed in numerical order.





DIMENSIONS

	mm	inches
A	50	1.96
B	1895	74.60
C	700	27.55
D	755	29.72
E	600	23.62
F	625	24.60
G	1275	50.19
H	1920	75.59
I	1870	73.62

Nous vous félicitons d'avoir choisi l'un de nos produits qui vous procurera certainement de nombreuses années de fonctionnement de qualité.

La sécurité d'abord !

Veuillez lire la notice d'utilisation attentivement. Elle contient des informations importantes relatives à l'utilisation de votre nouvel appareil. Si vous ne vous conformez pas aux instructions, vous risquez de perdre votre droit à la maintenance pendant la période de garantie. Veuillez conserver ce manuel soigneusement et le transmettre aux utilisateurs ultérieurs le cas échéant.

- Ne branchez pas votre appareil à l'alimentation électrique avant d'avoir enlevé tous les emballages et protections de transport.
- Si l'appareil a été transporté à l'horizontale, laissez-le en position verticale pendant au moins 4 heures avant de le brancher afin que le système se stabilise.
- Cet appareil ne doit être utilisé que pour l'usage pour lequel il est destiné, c'est-à-dire à la conservation et congélation des denrées alimentaires.
- L'utilisation de cet appareil dans une pièce non chauffée et froide telle qu'un garage, jardin d'hiver, annexe, abri, à l'extérieur, etc. n'est pas recommandée. Se référer à la section « Emplacement ».
- À la réception de l'appareil, vérifiez qu'il n'est pas endommagé et que les pièces et accessoires sont en parfait état.
- N'utilisez pas un appareil endommagé. En cas de doute, vérifiez auprès de votre vendeur.
- Veillez à ce que les enfants ne jouent pas avec l'appareil.
- Ne vous asseyez pas ou ne vous appuyez pas sur l'appareil ou les pièces coulissantes, et n'autorisez pas les enfants de faire de même.
- Ne vous suspendez pas à la porte de l'appareil.
- Ne jetez pas l'appareil au feu. L'isolation de votre appareil contient des substances non CFC qui sont inflammables.
- Veuillez contacter les autorités locales de votre région pour obtenir des renseignements concernant les méthodes de mise au rebut et les installations disponibles.

Utilisation prévue

Ce produit est prévu pour une utilisation

- en intérieur et dans des zones fermées telles que les maisons ;
- dans les environnements de travail fermés, tels que les magasins et les bureaux ;
- dans les lieux d'hébergement fermés, tels que les fermes, hôtels, pensions.
- Cet appareil ne doit pas être utilisé en extérieur.

⚠ **Avertissement** - Veillez à ce que les conduits d'aération de l'enceinte de l'appareil ou de la structure intégrée ne soient pas obstrués.

⚠ **Avertissement** - N'utilisez pas de moyens, mécaniques ou autres que ceux recommandés par le fabricant, pour accélérer le processus de décongélation.

⚠ **Avertissement** - N'abîmez pas le circuit réfrigérant.

⚠ **Avertissement** - Ne faites pas fonctionner d'appareils électriques à l'intérieur des compartiments de conservation de denrées de l'appareil, à moins qu'ils ne soient recommandés par le fabricant.

• Les instructions doivent comporter en substance les indications suivantes:

Cet appareil n'est pas prévu pour être utilisé par des personnes (y compris les enfants) dont les capacités physiques, sensorielles ou mentales sont réduites, ou des personnes dénuées d'expérience ou de connaissance, sauf si elles ont pu bénéficier, par l'intermédiaire d'une personne responsable de leur sécurité, d'une surveillance ou d'instructions préalables concernant l'utilisation de l'appareil.

- Il convient de surveiller les enfants pour s'assurer qu'ils ne jouent pas avec l'appareil.
- Évitez de toucher l'installation métallique du condenseur situé au dos de l'appareil vous risqueriez de vous blesser.
- En cas d'anomalie, débranchez en premier lieu l'appareil de l'alimentation électrique.
- Avant de procéder au nettoyage de l'appareil, débranchez toujours l'appareil ou coupez le disjoncteur. Ne tirez pas sur le câble. Débranchez à partir de la prise.
- Les réparations de l'appareillage électrique doivent être réalisées par des techniciens qualifiés. Si le câble d'alimentation est endommagé, il doit être remplacé par le constructeur ou le service à la clientèle afin d'écartier tout danger.
- L'installation et la réparation doivent être effectuées par un technicien qualifié ou un représentant agréé. Toute opération effectuée sur le produit par une personne non agréée peut annuler la garantie et entraîner un risque pour la santé des dommages matériels.

DANGER : Risque d'enfermement pour les enfants. Avant de jeter votre ancien réfrigérateur ou congélateur:

- Retirez les portes
- Laissez les étagères en place de manière à ce que les enfants ne puissent pas pénétrer facilement à l'intérieur.

Instructions de transport

L'appareil doit être transporté en position debout uniquement.
L'emballage fourni doit rester intact pendant le transport.

Si il est transporté couché, l'appareil ne peut être mis en service que 4 heures après avoir été replacé en position verticale. Si vous réalisez le branchement du réfrigérateur plus tôt, vous pouvez endommager le réfrigérateur et entraîner l'annulation de votre garantie.

⚠ Mise au rebut

Rendez l'appareil inutilisable immédiatement. Débranchez la prise d'alimentation et coupez le câble électrique. Retirez ou détruisez les fermetures à bascule ou à ressort avant de vous débarrasser de l'appareil. Ceci permet d'éviter aux enfants de s'enfermer dans l'appareil et de mettre ainsi leur vie en danger.

Installation de l'appareil

- Ne faites pas fonctionner votre appareil dans un local dont la température peut baisser au-dessous de 10 °C la nuit et/ou particulièrement en hiver. En cas de températures inférieures, l'appareil peut ne pas fonctionner correctement et la durée de conservation des denrées en est ainsi réduite.

- La classe de température de fonctionnement de votre appareil est indiquée sur la plaque signalétique située à l'intérieur de l'appareil. Elle stipule les températures ambiantes de fonctionnement appropriées comme indiqué ci-dessous.

Classe de température de fonctionnement	Températures ambiantes
SN	+10 °C à 32 °C
N	+16 °C à 32 °C
ST	+18 °C à 38 °C
T	+18 °C à 43 °C
SN-ST	+10 °C à 38 °C
SN-T	+10 °C à 43 °C

Emplacement

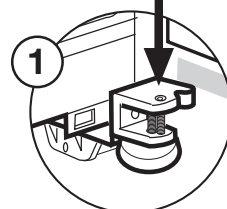
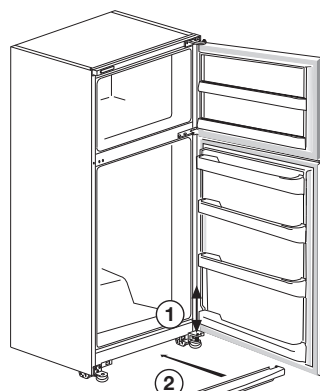
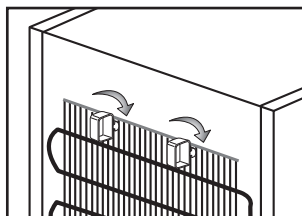
Placez l'appareil uniquement dans des endroits secs pouvant être aérés.
Évitez l'exposition directe à la lumière du soleil ou à des sources de chaleur telles qu'un four ou un radiateur.

Si cela n'est pas possible, il est indispensable d'observer les distances minimales suivantes :

Cuisinières électriques : 3,00 cm
Radiateur : 3,00 cm
Dispositifs de réfrigération : 2,50 cm

- Veillez à ce que la circulation d'air soit appropriée pour votre appareil.

- Assurez-vous de laisser suffisamment d'espace autour de l'appareil pour que l'air puisse circuler librement.
Ajustez les cales d'espacement de plastique fournies avec l'appareil par rapport au mur en tournant de 1/4 de tour vers le condenseur à l'arrière de l'appareil.



1- Enlevez de leur emplacement les vis de fixation qui se trouvent sur les charnières inférieures en vous servant d'une clé appropriée
2- Assemblez la plaque de protection

• L'appareil doit être placé sur une surface plane. Les deux pieds avant peuvent être ajustés si nécessaire. Pour faire en sorte que votre appareil soit à niveau, réglez les deux pieds avant en tournant dans le sens des aiguilles d'une montre ou dans le sens inverse jusqu'à ce que l'appareil soit bien calé au sol. Un bon réglage des pieds évite les vibrations et les bruits excessifs.

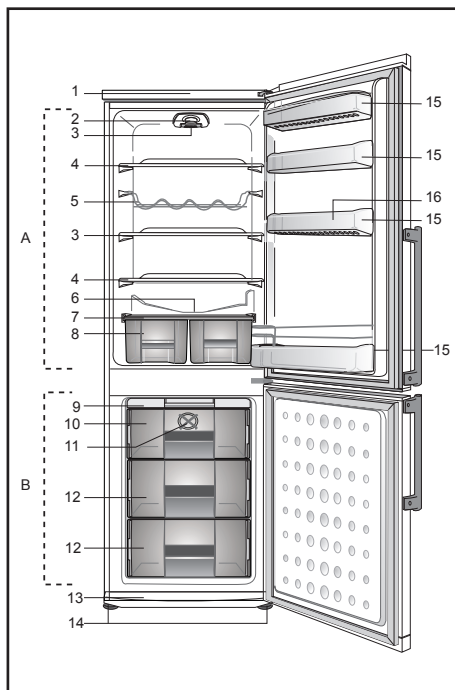
Branchements électriques

Avertissement

Cet appareil doit être branché à une borne de mise à la terre.

- Vérifiez si le type de courant et le voltage de votre installation correspondent aux indications de la plaque signalétique située à l'intérieur de l'appareil.
- La sécurité électrique de l'appareil n'est assurée que si le système de mise à la terre de l'habitation a été installé en conformité aux normes.

- Lors de l'installation de l'appareil, veillez à ce que le câble d'alimentation ne soit pas coincé dessous, dans quel cas ce dernier serait endommagé.
- Veillez à ce que la prise soit facile d'accès. N'utilisez pas de prise multiple ou de rallonge.
- Les spécifications électriques de votre appareil sont indiquées sur la plaque signalétique située à l'intérieur de l'appareil.
- Placez le câble d'alimentation électrique de façon à faciliter le branchement ou le débranchement après l'installation.
- Un séparateur de contact doit être utilisé si le câble d'alimentation n'est pas accessible (pour les modèles encastrés).
- L'utilisation de rallonges n'est pas recommandée.



Avant la mise en service

Avant de commencer à faire fonctionner votre appareil, les points suivants doivent être inspectés à nouveau par mesure de sécurité :

- L'appareil est-il correctement installé au sol ?
- L'espace est-il suffisant pour permettre une bonne circulation d'air ?
- L'intérieur est-il propre ? (reportez-vous également à la section "Nettoyage et entretien")
- Réglez la commande du thermostat à mi-chemin entre 1 et 5 ou Min. et Max.
- Branchez à présent l'appareil au réseau électrique.

Le compresseur est en marche ; l'éclairage intérieur s'allume quand la porte est ouverte.

N'introduisez pas les denrées dans le réfrigérateur avant que la température atteigne le niveau souhaité.

Apprendre à connaître votre appareil

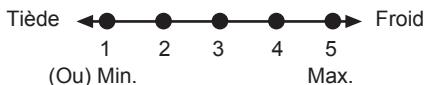
⚠ Avertissement

Les renseignements suivants relatifs aux accessoires sont fournis à titre indicatif uniquement. Les accessoires ci-dessous peuvent ne pas correspondre exactement aux accessoires de votre appareil.

1. Panneau avant
2. Éclairage intérieur
3. Commande du thermostat
4. Tablettes mobiles
5. Clayette support bouteille
6. Voie de récupération de l'eau de dégivrage
- Tube d'écoulement
7. Couvercle du bac à légumes
8. Bac à légumes
9. Bac à glaçons
10. Compartiment congélation rapide
11. Ventilateur du congélateur
12. Compartiment congélateur
13. Grille d'aération
14. Pieds avant réglables
15. Balconnets réglables
16. Casier à oeufs

Réglage de la température de fonctionnement

La température de fonctionnement est réglée à l'aide de la commande de température.



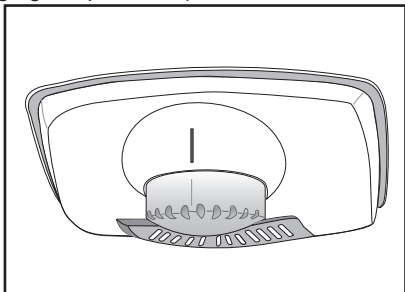
1 = Réglage de réfrigération le plus faible
(Réglage le plus chaud)

5 = Réglage de réfrigération le plus fort
(Réglage le plus froid)

(Ou)

Min. = Réglage de réfrigération le plus faible
(Réglage le plus chaud)

Min. = Réglage de réfrigération le plus fort
(Réglage le plus froid)



La température médiane à l'intérieur du réfrigérateur doit être proche de +5 °C. Veuillez choisir le réglage en fonction de la température désirée.

Vous pouvez éteindre votre appareil en réglant la commande du thermostat sur la position "0".

Vous remarquerez qu'il y a plusieurs températures différentes dans la zone de réfrigération.

La zone la plus froide est située directement au-dessous du bac à légumes.

La température intérieure est également en fonction de la température ambiante, la fréquence d'ouverture de la porte et la quantité de denrées stockées à l'intérieur.

Si la porte est ouverte fréquemment, la température intérieure monte.

Pour cette raison, il est recommandé de refermer la porte aussitôt que possible après utilisation.

Réfrigération

Conservation des denrées

Le **compartiment réfrigérateur** est destiné à la conservation à court terme d'aliments frais et de boissons.

Conservez les produits laitiers dans le compartiment prévu à cet effet dans le réfrigérateur.

Les bouteilles peuvent être stockées sur la clayette support bouteilles ou dans le balconnet range bouteilles de la porte.

La viande crue sera conservée de manière optimale dans un sac en polyéthylène dans le compartiment situé tout en bas du réfrigérateur.

Laisser refroidir les aliments et boissons à la température ambiante avant de les mettre dans le réfrigérateur.

⚠ Attention

Conservez l'alcool à forte concentration debout et bien fermé uniquement.

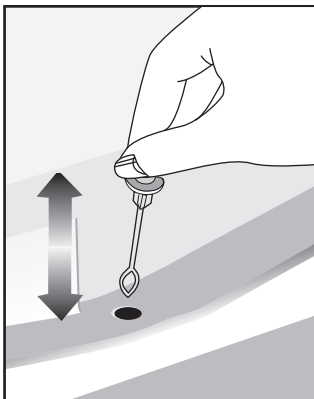
⚠ Attention

Ne conservez pas de substances explosives ni de récipients à gaz propulseurs inflammables (crème en bombe, bombes aérosols etc.) Un **risque d'explosion** existe.

Dégivrage de l'appareil

Le compartiment réfrigérateur dégivre automatiquement. L'eau de dégivrage s'écoule dans la voie d'écoulement et se déverse dans le bac de récupération à l'arrière de l'appareil. Si le compartiment des produits frais est en cycle de dégivrage, l'apparition de gouttes d'eau (gelées) sur l'évaporateur est normale si l'eau ne s'est pas complètement écoulee de l'évaporateur.

Vérifiez l'écoulement de l'eau de dégivrage de temps en temps. L'orifice peut parfois s'obstruer. Nettoyez-le avec un coton-tige ou objet similaire (voir la section "Nettoyage et entretien").



Congélation

Congeler les denrées

Le compartiment de congélation porte le symbole ❄️.

Vous pouvez utiliser cet appareil pour congeler des denrées fraîches ainsi que pour stocker des denrées surgelées.

Veillez vous référer aux recommandations indiquées sur l'emballage de votre aliment.

⚠️ Attention

Ne pas congeler de boissons gazeuses car le liquide congelé peut faire éclater la bouteille.

Soyez prudents avec les produits congelés tels que les glaçons colorés.

Ne dépassez pas le pouvoir de congélation de votre appareil par 24 heures. Se référer à la plaque signalétique.

Afin de préserver la qualité des aliments, la congélation doit être effectuée le plus rapidement possible.

Ainsi, le pouvoir de congélation ne sera pas dépassé et la température à l'intérieur du congélateur ne montera pas.

⚠️ Attention

Conservez toujours les aliments déjà surgelés séparément des denrées qui viennent d'y être placées.

Si vous surgelez un aliment chaud, le compresseur de réfrigération fonctionnera tant que l'aliment n'est pas complètement congelé. Cela peut causer un refroidissement excessif temporaire du compartiment réfrigérateur.

Si vous trouvez que la porte du congélateur est difficile à ouvrir juste après l'avoir fermée, ne vous inquiétez pas. Cela est dû à la différence de pression qui va se régulariser et permettra d'ouvrir la porte normalement au bout de quelques minutes.

Vous entendrez un bruit d'aspiration juste après avoir fermé la porte. Ceci est tout à fait normal.

Dégivrage de l'appareil

Le compartiment congélateur se dégivre automatiquement.

Avertissements !

Le ventilateur du compartiment congélateur fait circuler de l'air froid.

N'insérez jamais d'objets derrière la protection. Veillez à ce que les enfants ne jouent pas avec le ventilateur du congélateur.

Ne conservez jamais de produits contenant des gaz propulseurs inflammables (crème en bombe, bombes aérosols, etc.) ou des substances explosives.

Ne recouvrez pas les clayettes de matériaux de protection qui pourraient obstruer la circulation d'air.

Veillez à ce que les enfants ne jouent pas avec l'appareil et ne touchent pas aux commandes.

N'obstruez pas la protection du ventilateur du congélateur pour garantir les meilleures performances de votre appareil.

Remplacement de la lampe

Pour remplacer la lampe d'éclairage du réfrigérateur, veuillez contacter le service après-vente agréé.

Nettoyage et entretien

Surfaces Intérieures et Extérieures

Attention

Débranchez toujours le câble d'alimentation ou coupez le disjoncteur avant de procéder au nettoyage.

Laver l'extérieur à l'eau tiède additionnée d'un produit nettoyant doux.

N'utilisez jamais de détergents ou d'agents abrasifs ou acides.

Séchez l'intérieur du compartiment.

Veillez à ce que l'eau n'entre pas en contact avec les connexions électriques de la commande de température ou l'éclairage intérieur.

En cas de non-utilisation pendant une période prolongée, débranchez-le et sortez toutes les denrées. Nettoyez l'appareil et maintenez la porte ouverte.

Pour préserver l'apparence de votre appareil, vous pouvez polir l'extérieur et les accessoires de la porte à l'aide de cire en silicone.

Nettoyez le condenseur à l'arrière de l'appareil une fois par an à l'aide d'une brosse ou d'un aspirateur. L'accumulation de poussière entraîne une plus grande consommation d'énergie. Inspectez le joint de porte de temps en temps. Nettoyez à l'eau uniquement et séchez complètement.

Nettoyage des accessoires

Balconnets de porte :

Sortez tous les produits des balconnets. Soulevez le couvercle du balconnet vers le haut et enlevez-le latéralement. Retirez le fond du balconnet en le poussant vers le haut.

Récipient récupérateur (Bac) :

Vérifiez que le bac à l'arrière de l'appareil soit toujours propre.

Dégagez doucement la fermeture du bac du compresseur en le poussant au moyen d'un outil (tel qu'un tournevis), afin que la cuvette puisse être enlevée.

Soulevez le bac, nettoyez-le et séchez-le à l'aide d'un chiffon.

Réassemblez selon l'ordre inverse.

Bac à légumes ou Tiroirs :

Pour nettoyer un tiroir, faites le glisser autant que possible, soulevez-le et retirez-le ensuite complètement.

Conseils pratiques et remarques

Réfrigération

- Nettoyez les produits et légumes frais avant de les introduire dans le bac à légumes.
- Emballez ou enveloppez toujours les aliments ou mettez-les dans des récipients appropriés avant de les placer dans l'appareil.
- Emballez les aliments qui ne se conservent pas à basse température dans des sacs en polyéthylène (ananas, melons, concombres, tomates etc.).
- Les produits à forte odeur ou ayant tendance à développer une odeur devront être enveloppés dans un emballage hermétique ou résistant aux odeurs.
- Séparez les produits frais des aliments cuisinés afin d'éviter une contamination microbienne.
- Ne conservez jamais la viande crue au réfrigérateur plus de 2 ou 3 jours.
- Videz le reste de nourriture contenu dans la boîte de conserve et conservez-le dans un récipient approprié.
- Référez-vous à la durée de conservation indiquée sur l'emballage.
- N'obstruez pas la circulation d'air à l'intérieur de l'appareil en recouvrant les clayettes.
- Ne conservez jamais de substances dangereuses ou toxiques dans votre appareil.
- Inspectez toujours la nourriture qui a été stockée pendant longtemps pour vous assurer qu'elle soit comestible.
- Ne conservez pas les produits frais et les aliments cuisinés ensemble dans le même récipient.
- Fermez la porte immédiatement après l'avoir ouverte afin d'éviter une consommation d'énergie inutile.
- N'utilisez pas d'objets durs ou tranchants pour enlever la couche de givre.
- N'introduisez pas de denrées chaudes dans votre appareil.

Congélation

- Laissez toujours les aliments dégeler dans un récipient qui permet à l'eau de décongélation de s'écouler.

- Ne dépassez pas le pouvoir de congélation maximal admis quand vous congelez des produits frais (voir la section « Congélation »)
- Ne donnez pas de la glace ou bâtonnets glacés dès leur sortie du congélateur :

La basse température peut provoquer des brûlures sur les lèvres.

- Ne recongelez jamais de denrées décongelées; les denrées décongelées doivent être consommées dans les 24 heures. Seuls les aliments que l'on cuit peuvent ensuite être recongelés.

- Ne sortez pas de produits congelés avec les mains mouillées.

- Ne stockez que des aliments frais et impeccables.

- Utilisez toujours des emballages appropriés pour éviter la pénétration des odeurs ou la dégradation des aliments.

- Stockez les aliments surgelés dans le commerce selon les instructions indiquées sur l'emballage.

- Congelez les aliments cuisinés en petites quantités. Cela assure une congélation rapide et préserve la qualité des aliments.

- Ne congelez pas de liquide dans des bouteilles ou récipients très serrés.

Les bouteilles/récipients pourraient éclater à basse température.

- Transportez les produits surgelés dans des sacs appropriés et placez-les dans votre congélateur dès que possible.

Dégeler toujours les aliments dans le compartiment réfrigérateur.

! Remarque :

- Si votre réfrigérateur ne fonctionne pas correctement après avoir réalisé les étapes suivantes : Contactez votre revendeur pour convenir d'un rendez-vous avec un agent de maintenance pour qu'il inspecte votre réfrigérateur neuf et y recherche un dysfonctionnement éventuel.

- La garantie du fabricant ne couvre pas les déplacements d'installation ou de service de formation au client.

Les informations concernant le modèle et le numéro de série sont disponibles sur l'étiquette située sur la paroi intérieure droite de votre appareil, tel qu'indiqué ci-dessous :

Bruits normaux de fonctionnement

Divers bruits de fonctionnement sont complètement normaux en raison du fonctionnement du système réfrigérant de votre appareil ;

- Des bruits de gargouillement, sifflement, ébullition ou bouillonnement sont occasionnés par le gaz qui circule dans le système réfrigérant. Ces bruits se font encore entendre pendant un instant après que le compresseur se soit éteint.

- Des bruits soudains et aigus de coup ou bruits secs sont produits par l'expansion et la contraction des parois intérieures ou de composants à l'intérieur des rangements.

- Des bruits de bourdonnement, ronronnement, de vibration ou de vrombissement aigu sont provoqués par le compresseur. Ces bruits sont légèrement plus forts au démarrage du compresseur et s'atténuent lorsque l'appareil atteint les températures de fonctionnement.

Aussi, afin d'éviter des vibrations et bruits gênants, assurez- vous que :

- Votre réfrigérateur est à plat sur ces quatre pieds.

- Votre réfrigérateur ne touche pas les murs, objets environnant ou placards et meubles de cuisine.

- Les conserves, bouteilles ou plats à l'intérieur du réfrigérateur n'entrent pas en contact et ne s'entrechoquent pas.

- Toutes les clayettes et casiers sont installés correctement dans les compartiments et portes du réfrigérateur.

Exemples d'Utilisation


Vin blanc, bière et eau minérale	rafraîchir avant usage
Bananes	ne pas conserver au réfrigérateur
Poisson ou abats	conserver dans des sacs en polyéthylène uniquement
Fromage	utiliser des récipients hermétiques ou sacs en polyéthylène ; pour des résultats optimaux, sortir du réfrigérateur une heure avant la dégustation.
Melons	à conserver pendant une courte durée uniquement, utiliser des emballages hermétiques
Viande crue ou volaille	à ne pas conserver avec des produits délicats tels que les aliments cuisinés ou le lait

Et si...

1- L'appareil ne fonctionne pas, même s'il est mis sous tension.

- Vérifiez que la prise d'alimentation est branchée correctement !
- Vérifiez si l'alimentation électrique est en état de marche, ou si le fusible a été touché !
- Vérifiez que la commande de température est correctement réglée !

2- Il y a une panne de courant.

Votre congélateur est destiné à la conservation à long terme de denrées surgelées vendues dans le commerce et peut servir également à congeler et conserver des produits frais. En cas de panne de courant, n'ouvrez pas la porte. Pour un appareil de type , il n'y a pas de risque pour les aliments congelés dans la mesure où la panne dure moins longtemps que « l'autonomie de fonctionnement en cas de panne » (en heures) indiquée sur la plaque signalétique. Si la panne est plus longue que « l'autonomie de fonctionnement en cas de panne » (en heures), inspectez les denrées et mangez-les immédiatement ou bien faites-les cuire puis congelez-les à nouveau.

3- L'éclairage intérieur ne fonctionne pas.

Vérifiez la prise !

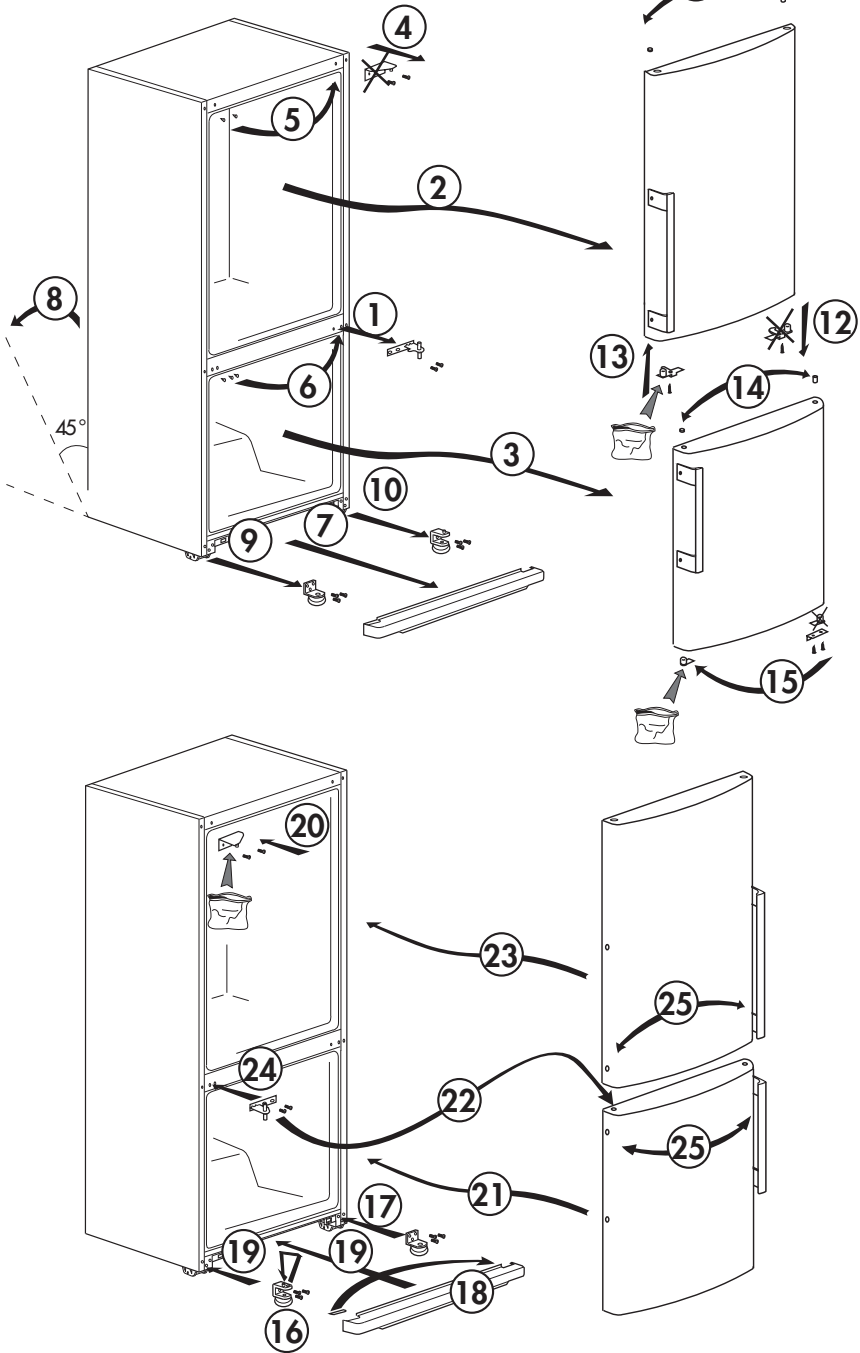
Vérifiez l'installation de l'ampoule ! Débranchez la prise avant d'inspecter l'ampoule. (Référez-vous aussi à la section "Changement de l'ampoule intérieure")

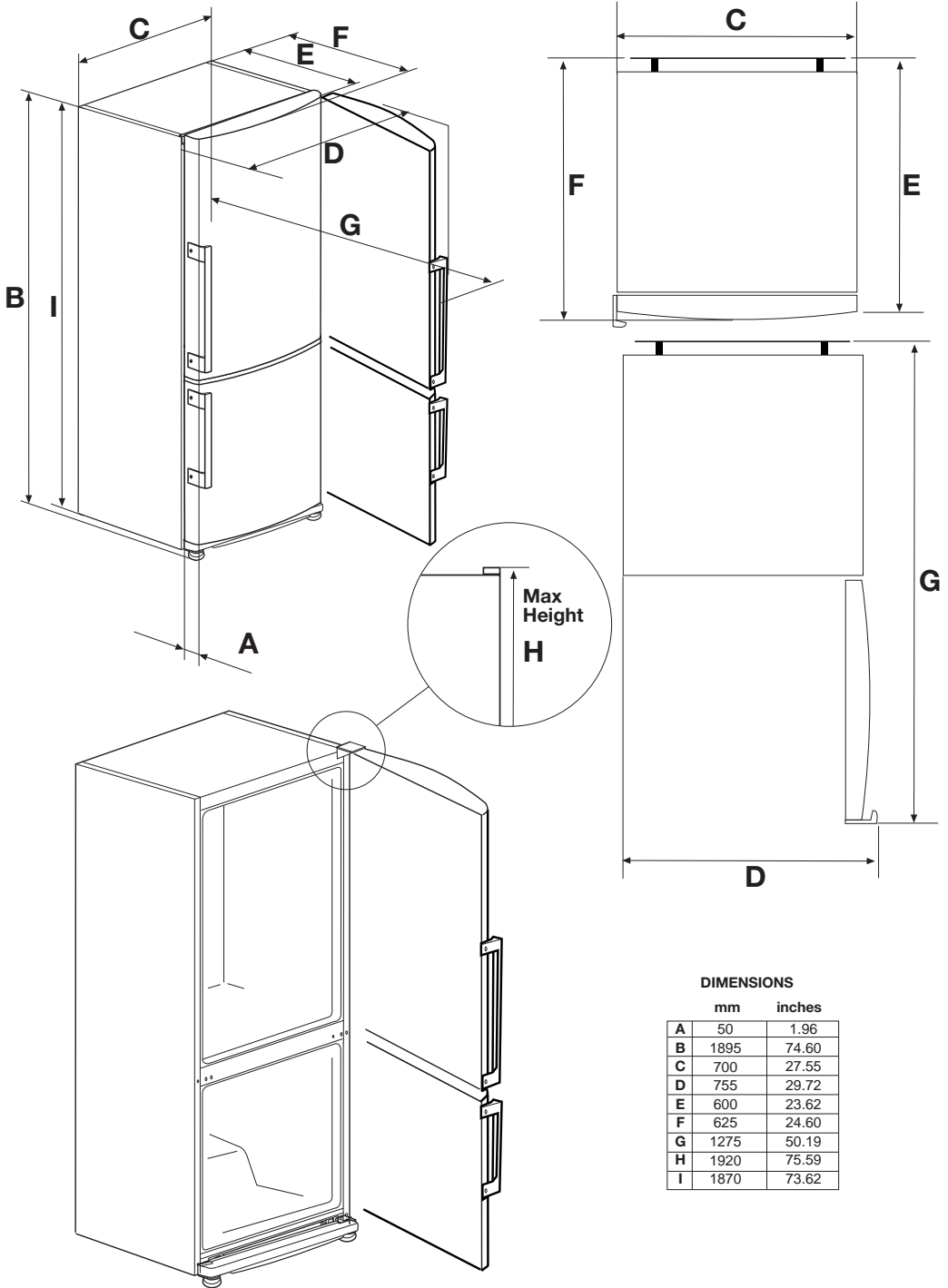
4- Autres anomalies possibles

Toute anomalie n'implique pas notre service à la clientèle. Dans la majorité des cas, vous pouvez y remédier facilement sans avoir recours à une intervention. Avant de demander notre assistance, veuillez vérifier si l'anomalie a été occasionnée par une erreur d'utilisation. Si c'est le cas et qu'une intervention a été demandée, des frais de service seront à votre charge même si l'appareil est encore sous garantie.

Si le problème persiste, veuillez consulter votre vendeur ou le service à la clientèle. Lors de votre appel, munissez-vous du modèle et numéro de série de votre appareil. La plaque signalétique est située à l'intérieur.

Repositionnement des portes





DIMENSIONS

	mm	inches
A	50	1.96
B	1895	74.60
C	700	27.55
D	755	29.72
E	600	23.62
F	625	24.60
G	1275	50.19
H	1920	75.59
I	1870	73.62

Le damos la enhorabuena por haber elegido uno de nuestros productos, que seguro le ofrecerá años y años de buen servicio.

La seguridad es lo primero

Léase detenidamente este manual de instrucciones. En él encontrará información importante acerca de la utilización del aparato que acaba de adquirir. Si no sigue las instrucciones, podría perder su derecho a la reparación sin cargo durante el periodo de duración de la garantía. Mantenga este manual en un lugar seguro y, si procede, entréguelo a los futuros usuarios del producto.

- No conecte el aparato a la toma de corriente hasta que haya eliminado todos los elementos de embalaje y todos los protectores para su transporte.
- Déjelo en posición vertical un mínimo de cuatro horas antes de ponerlo en marcha para permitir que el sistema de refrigeración se pose si el aparato se ha transportado en horizontal.
- Este aparato sólo debe utilizarse para el uso para el que fue pensado, es decir, el almacenamiento y la congelación de alimentos perecederos.
- Le desaconsejamos encarecidamente que utilice este aparato en una sala sin calefacción o fría, como por ejemplo, un garaje, una despensa, una sala auxiliar, una casita de jardín, en el exterior, etc. Véase el apartado «Lugar de instalación».
- En el momento que se lo entreguen, compruebe que el producto se encuentra en perfecto estado y que todas las piezas y todos los accesorios no han sufrido daños.
- En caso de que el aparato esté averiado, no lo ponga en marcha; si le surge alguna duda, póngase en contacto con el vendedor.
- No permita que los niños jueguen con el aparato.
- No se siente ni se apoye encima del aparato, ni deje que los niños lo hagan. Tampoco tire de las piezas salientes.
- No se cuelgue del asa del aparato.
- No arroje el aparato al fuego. El aparato contiene sustancias no CFC en el aislamiento, que son inflamables.
- Póngase en contacto con las autoridades locales de su zona para obtener más información sobre los métodos de desecho y las instalaciones disponibles a tal efecto.

Finalidad prevista

Este aparato está diseñado para usarse en los siguientes entornos:

- interiores y entornos cerrados tales como domicilios particulares;
- entornos cerrados de trabajo tales como almacenes u oficinas;
- zonas de servicio cerradas tales como casas rurales, hoteles o pensiones.

• Este aparato no se debe usar al aire libre.

⚠ **¡Atención!** - Mantenga las aperturas de ventilación del aparato o de la estructura limpias sin cubrir.

⚠ **¡Atención!** - No utilice ningún dispositivo mecánico o cualquier otro aparato para acelerar el proceso de descongelación, salvo los recomendados por el fabricante.

⚠ **¡Atención!** - No dañe el circuito refrigerador.

⚠ **• ¡Atención!** - No utilice ningún dispositivo eléctrico en el interior de los distintos compartimentos del aparato, salvo los recomendados expresamente por el fabricante.

• Evite tocar la parrilla de condensación metálica de la parte trasera del aparato, podría lesionarse.

• En caso de que pueda estar averiado, desenchufe el aparato de la toma de corriente.

• Antes de proceder a realizar tareas de limpieza, desenchufe siempre el aparato o quite la corriente.

No tire directamente del cable de alimentación. Tire del enchufe.

• Las reparaciones a los equipos eléctricos sólo deben realizarlas personal técnico cualificado. Si el cable de alimentación está dañado, el fabricante o el servicio de atención al cliente deben sustituirlo para evitar todo peligro.

• Deje la instalación y las reparaciones del aparato en manos de un técnico cualificado o un contratista con licencia. Cualquier manipulación del aparato por parte de personal no autorizado podría derivar en la anulación de la garantía, con el consiguiente riesgo para la salud y la propiedad”.

- Este aparato no está destinado al uso por parte de niños o personas con las facultades físicas, sensoriales o mentales reducidas, o bien que carezcan de la experiencia y/o los conocimientos necesarios, a no ser que una persona responsable de su seguridad se encargue de su supervisión o les haya transmitido las pertinentes instrucciones sobre el uso del aparato.
- Se debe vigilar a los niños para asegurarse de que no jueguen con este electrodoméstico.

¡PELIGRO!: Riesgo de atropamiento. Antes de deshacerse de su refrigerador o congelador viejo:

- Desmonte las puertas
- Deje los estantes en su lugar para que los niños no puedan subirse fácilmente al interior.

Instrucciones de transporte

Transporte el aparato sólo en posición vertical. El embalaje debe permanecer intacto durante el transporte.

Si ha transportado el refrigerador en posición horizontal, debe dejarlo en posición vertical durante 4 horas antes de enchufarlo. Si lo enchufa antes de que haya transcurrido ese tiempo, puede provocar una avería en el refrigerador y esto podría afectar a la garantía.

⚠ Desecho

Deje inservible el aparato inmediatamente. Desenchufe el cable de alimentación y corte el cable. Extraiga o destruya los sistemas de bloqueo antes de desechar el aparato. De este modo, evitará que los niños queden encerrados en su interior y pongan en peligro su vida.

Instalación del aparato

- No utilice el aparato en una habitación en la que es probable que la temperatura descienda por debajo de los 10 °C por la noche y especialmente en invierno. A bajas temperaturas, es posible que el aparato no funcione, cosa que reduciría el tiempo de almacenamiento máximo de los productos.
- La calificación del aparato respecto a la temperatura ambiental se encuentra en la etiqueta del interior. En ella se indica la temperatura ambiental de funcionamiento ideal tal como se indica a continuación:

Categoría climática Temperatura ambiental

SN.....	De +10 °C a 32 °C
N.....	De +16 °C a 32 °C
ST.....	De +18 °C a 38 °C
T.....	De +18 °C a 43 °C
SN-ST.....	De +10 °C a 38 °C
SN-T.....	De +10 °C a 43 °C

Lugar de instalación

Sitúe el aparato sólo en una habitación seca que pueda ventilarse.

Evite el contacto directo con la luz solar o la fuentes directas de calor como por ejemplo un radiador o una estufa.

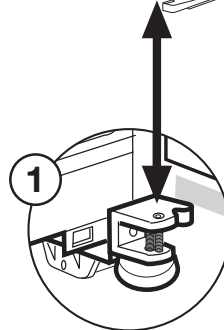
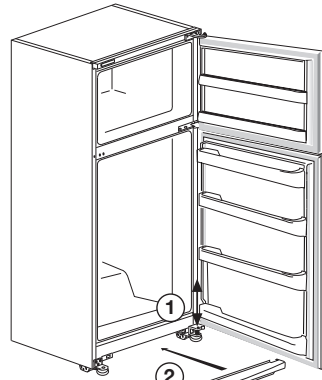
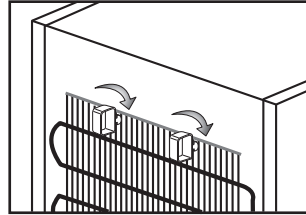
Si no puede evitarlos, debe mantener las distancias mínimas siguientes:

Radiadores eléctricos:	3,00 cm
Estufa:	3,00 cm
Aparatos de calefacción:	2,50 cm

- Asegúrese de que la circulación de aire sea la suficiente.

- Asegúrese de que hay espacio suficiente alrededor del aparato para facilitar la circulación del aire.

Sitúe los dos espaciadores de plástico suministrados con el aparato girándolos 1/4 de vuelta hacia el condensador situado en la parte trasera del aparato.



1. Los pasadores roscados de las bisagras inferiores se extraen de su lugar con la ayuda de una llave adecuada.
2. Montaje del rodapiés

- Instale el aparato sobre una superficie regular. Puede utilizar las dos patas delanteras para ajustarlas a su antojo. Para garantizar que el aparato está bien instalado, ajuste las dos patas delanteras girándolas en el sentido horario o antihorario hasta que esté en contacto firme con el suelo. El ajuste correcto de las patas evita un ruido y una vibración excesivas.

Conexiones eléctricas

¡Atención!

Este aparato debe estar conectado a tierra.

- Compruebe que el tipo de corriente y el voltaje de su zona se corresponden con el que se indica en la placa indicadora del voltaje situada en el interior del aparato.

- Sólo se puede garantizar la correcta seguridad eléctrica del aparato si el sistema de toma de tierra de la casa está instalado de acuerdo con la normativa vigente.

- Cuando instale el aparato, no deje que pise el cable de alimentación, por lo que podría dañarse el cable.

- Asegúrese de que puede acceder fácilmente al enchufe. No utilice una regleta o un cable alargador.

- Las características eléctricas del aparato encuentran en la placa indicadora del voltaje situada en el interior.

- Disponga el cable para poder enchufarlo y desenchufarlo fácilmente después de la instalación.

- Si no puede acceder al cable de alimentación, deberá instalar un interruptor adicional (para modelos empotrados).

- No le recomendamos la utilización de un cable alargador.

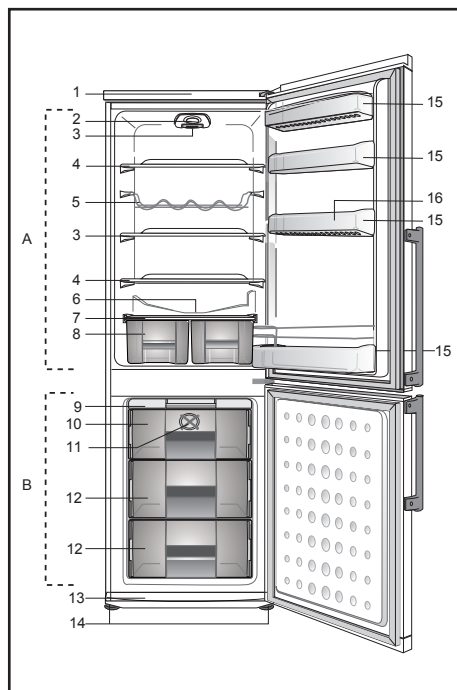
Antes de la colocación

Antes de poner en marcha el aparato, para su seguridad, le recomendamos que compruebe lo siguiente:

- ¿El aparato está bien asentado en el suelo?
- ¿Hay espacio suficiente para una correcta circulación del aire?
- ¿El interior está limpio? (Véase también el aparato «Limpieza y mantenimiento»)
- Fije el regulador del termostato entre las posiciones 1 y 5 o en posición «Min.» o «Max.».
- Enchufe el cable de alimentación a la toma de corriente.

El compresor se habrá puesto en marcha y la luz del interior se encenderá en el momento en que abra la puerta.

No sitúe alimentos en el refrigerador hasta que la temperatura haya alcanzado el nivel deseado.



Conociendo al aparato

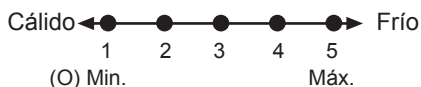
⚠ Advertencia

Se suministra a continuación información sobre los accesorios únicamente a modo de referencia. Éstos pueden no coincidir con los de su electrodoméstico.

1. Panel frontal
2. Luz interior
3. Mando de control del termostato
4. Estantes extraíbles
5. Botellero
6. Tubo de recolección de agua de descongelación – Tubo de drenaje
7. Tapa del verdulero
8. Compartimento para ensaladas
9. Cubitera
10. Compartimento congelación rápida
11. Ventilador de congelación
12. Compartimento congelador
13. Rejilla de ventilación
14. Patas delanteras ajustables
15. Estantes de la puerta ajustables
16. Huevera

Cómo establecer la temperatura de funcionamiento

La temperatura de funcionamiento se regula mediante el control de temperatura.



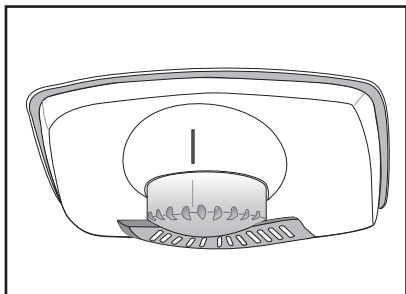
1 = Mínima temperatura de frío (valor mínimo de frío)

5 = Máxima temperatura de frío (valor máximo de frío)

(O)

Min. = Mínima temperatura de frío (valor mínimo de frío)

Max. = Máxima temperatura de frío (valor máximo de frío)



La temperatura media en el interior de la nevera debería encontrarse alrededor de +5 °C.

Elija el valor deseado de acuerdo a la temperatura que quiera.

Puede detener el funcionamiento del aparato situando el regulador de temperatura en posición "0".

Tenga en cuenta que en la zona de refrigeración habrá distintas temperaturas. La zona más fría es la que se encuentra justo encima del verdulero.

La temperatura interior también depende de la temperatura ambiental, la frecuencia de apertura de la puerta y la cantidad de comida en el interior.

Si abre la puerta con mucha frecuencia, la temperatura del interior subirá.

Por ello, le recomendamos que cierre la puerta lo más rápido posible después de haberla abierto.

Refrigeración

Almacenamiento de comida

El **compartimento refrigerado** se utiliza para el almacenamiento de productos frescos y bebidas a corto plazo.

Los productos lácteos deben guardarse en el compartimento al uso en el interior del refrigerador.

Las botellas pueden guardarse en el botellero o en el estante para botellas de la puerta.

La carne fresca se guarda mejor en el interior de una bolsa de polietileno en el compartimento situado en la parte inferior del refrigerador.

Deje que los alimentos y las bebidas se enfríen a temperatura ambiente antes de introducirlos en el refrigerador.

⚠ ¡Atención!

El alcohol concentrado sólo debe guardarse en posición horizontal y correctamente cerrado.

⚠ ¡Atención!

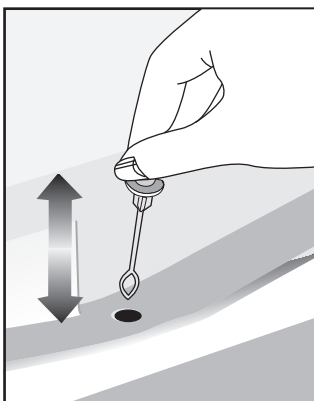
No almacene sustancias explosiva con gases inflamables (nata en espray, aerosoles, etc.) en el interior del aparato. Existe **peligro de explosión**.

Cómo descongelar el aparato

El compartimento del congelador se descongela automáticamente. El agua que se genere descenderá automáticamente hacia el recipiente de recolección situado en la parte trasera del aparato.

Si inicia un proceso de descongelación del compartimento para alimentos frescos, es normal que se formen gotas de aguas (congeladas) en el evaporador si el agua no se ha eliminado completamente del evaporador.

Compruebe el estado del tubo de drenaje de vez en cuando. Límpielo con un palillo limpiador de orejas (Véase también el aparato «Limpieza y mantenimiento»)



Congelación

Cómo congelar alimentos

La zona de congelación está indicada con el símbolo *** ** ***.

Puede utilizar el aparato para congelar productos frescos así como para almacenar comida precongelada.

Consulte las recomendaciones de congelación indicadas en el paquete del alimento.

⚠ ¡Atención!

No congele bebidas carbónicas, puesto que la botella podría explotar cuando el líquido de su interior se congele.

Vaya con cuidado con ciertos productos congelados, como los cubitos de colores. No supere la capacidad máxima de congelación de su aparato durante más de 24 horas. Véase la etiqueta identificativa.

Para mantener la calidad de los alimentos, la congelación debe realizarse lo antes posible. Por lo tanto, no debe superar la capacidad de congelación y la temperatura en el interior no debería aumentar.

⚠ ¡Atención!

Mantenga los productos que acaba de introducir en el congelador separados de los productos congelados con anterioridad.

Al congelar alimentos calientes, el compresor de refrigeración funcionará hasta que el alimento está completamente congelado. Este hecho puede provocar una refrigeración excesiva en el compartimento refrigerador.

Si nota que le cuesta abrir la puerta del congelador después de cerrarla, no se preocupe. Ello es debido a que se está tratando de igualar la diferencia de presión; la puerta se abrirá con normalidad al cabo del transcurso de unos minutos.

Oirá un sonido de vacío justo después de cerrar la puerta. Es bastante normal.

Cómo descongelar el aparato

El compartimento de la nevera se descongela automáticamente.

¡Avisos de seguridad!

El ventilador del interior del congelador permite la circulación de aire frío.

No introduzca ningún objeto a través de la ranuras. No permita que los niños jueguen con el ventilador del congelador.

Nunca almacene productos que contengan gas inflamable propelente (por ejemplo, esprais o expendedores) o sustancias explosivas.

No cubra los estantes con materiales protectores, podría detener la circulación del aire.

No permita que los niños jueguen con el aparato o manipulen los controles.

No cubra las ranuras del ventilador del congelador para garantizar que obtiene el máximo rendimiento del aparato.

Cambio de la bombilla de iluminación

Para cambiar la bombilla utilizada para iluminar el frigorífico, póngase en contacto con el servicio técnico autorizado.

Limpieza y mantenimiento

Superficies interiores y exteriores

¡Atención!

Antes de realizar cualquier tarea de limpieza, apague el aparato o desenchufe el cable de alimentación.

Limpie el exterior con agua tibia y un detergente suave.

Nunca utilice detergentes o agentes abrasivos o ácidos.

Enjuague y seque el compartimento interior.

Asegúrese de que el agua entre en contacto con las conexiones eléctricas del mando de control de la temperatura o de la bombilla interior.

Si no va a utilizar el aparato durante un periodo prolongado de tiempo, apáguelo y extraiga todos los alimentos de su interior. Limpie el aparato y deje abierta la puerta.

Para mantener el aspecto de su aparato, puede pulir el exterior y los accesorios de la puerta con una cera de silicona.

Limpie el condensador situado en la parte trasera del aparato una vez al año con un cepillo o un aspirador. La acumulación de polvo provoca un mayor consumo de energía. Compruebe la bisagra de la puerta a menudo. Límpiela sólo con agua y séquela por completo.

Limpieza de los accesorios

Estantes de la puerta:

Extraiga todos los alimentos de los estantes de la puerta.

Levante la tapa del estante hacia arriba y tire de ella hacia un lado.

Extraiga la parte inferior del estante de la puerta tirando de él hacia arriba.

Recipiente recolector:

Asegúrese de que el recipiente, situado en la parte trasera del aparato, está siempre limpio. Tire suavemente hacia un lado la pestaña del recipiente en el compresor pulsándola con una herramienta (como un destornillador) para que pueda sacar el recipiente.

Levante el recipiente, límpielo y séquelo. Vuelva a montarlo en el orden inverso.

Verdulero o cajones:

Para limpiar un cajón, tire de él tanto como pueda, levántelo y tire de él por completo.

Consejos prácticos y notas

Refrigeración

- Limpie los productos frescos y las verduras antes de guardarlos en el verdulero.
- Envuelva o mantenga en su correspondiente paquete los productos antes de almacenarlos en el refrigerador.
- Envuelva los alimentos que no se deban guardar a temperaturas bajas con bolsas de polietileno (piñas, melones, pepinos, tomates, etc.).
- Los productos con olores fuertes o que puedan coger malos olores también deberían estar envasados al vacío o en materiales de envasado protegidos contra los olores.
- Mantenga los alimentos frescos separados de los alimentos cocinados para evitar la contaminación bacteriana.
- Nunca deje carne fresca en la nevera durante más de 2 o 3 días.
- Saque cualquier producto enlatado de la nevera y guárdelos en su recipiente correspondiente.
- Respete la fecha de caducidad indicada en el envase.
- No cubra la circulación del aire en el interior del aparato tapando los estantes.
- No guarde ninguna sustancia peligrosa o venenosa en el interior del aparato.
- Antes de consumir un producto que haya estado almacenado durante mucho tiempo en el refrigerador compruebe su estado.
- No guarde alimentos frescos y cocinados juntos en el mismo recipiente.
- Cierre la puerta inmediatamente después de abrirla para evitar un consumo innecesario de energía.
- No utilice objetos punzantes o afilados para extraer los cubitos.
- No introduzca comida caliente en el interior del aparato.

Congelación

- Deje descongelar los alimentos en el interior de un recipiente donde el agua pueda escurrirse.
 - No supere la capacidad máxima de congelación durante la congelación de comida fresca (véase el apartado «Congelación»).
 - No dé a los niños helados o cubitos directamente del congelador. Las bajas temperaturas podrían provocarles quemaduras por congelación.
 - Nunca vuelva a congelar un alimento descongelado, y debe consumirlo dentro de las siguientes 24 horas. Sólo puede volver a congelar los alimentos cocinados.
 - No saque alimentos congelados con las manos mojadas.
 - Guarde siempre productos frescos y en perfecto estado.
 - Utilice siempre el material de envasado adecuado para evitar que los malos olores pasen a la comida.
 - Guarde los alimentos congelados de acuerdo con las instrucciones indicadas en el envase.
 - Congele los alimentos cocinados en pequeñas cantidades. Con ello se garantiza una congelación rápida y mantiene la calidad del alimento.
 - No congele líquido en botellas o recipientes muy llenos. Las botellas o los recipientes podrían reventar a bajas temperaturas.
 - Transporte los productos precongelados en bolsas adecuadas e introdúzcalos en el congelador lo antes posible. Descongele siempre la comida en el compartimento refrigerador.
- !Nota:**
- Si después de seguir los pasos siguientes su refrigerador no funciona correctamente: Póngase en contacto con su distribuidor para que un agente del servicio de asistencia técnica compruebe si su nuevo refrigerador tiene alguna avería en su funcionamiento.
 - La instalación incorrecta o las visitas de los servicios de asistencia técnica a instancias del cliente no se encuentran cubiertas por la garantía.
- Encontrará la información acerca del modelo y del número de serie del aparato en la etiqueta situada en el lado derecho de la junta interna del aparato, tal como se muestra a continuación:

Ruidos durante el funcionamiento

Durante el funcionamiento del sistema de refrigeración del aparato oír varios ruidos funcionales completamente normales.

- Los ruidos de gorgoteo, silbido, ebullición y burbujeo están provocados por la circulación del líquido refrigerador en el sistema. Estos ruidos se pueden oír durante un periodo corto de tiempo después de que se apague el compresor.
- Los ruidos repentinos, chasquidos y ruidos secos están provocados por la expansión y contracción de las paredes internas o de algunos componentes del interior de los compartimentos.
- Los ruidos de zumbido o rechinado fuerte están provocados por el compresor. Estos ruidos son un poco más fuertes a la puesta en marcha del compresor y se reduce cuando el aparato alcance la temperatura de funcionamiento.

Para evitar las vibraciones y los ruidos, también puede asegurarse de que:

- El refrigerador están nivelado en las cuatro patas.
- El refrigerador no toca con ninguna pared, ningún objeto a su alrededor o con los muebles de la cocina.
- Las latas, las botellas o los platos del interior no se tocan los unos con los otros.
- De que todos los estantes y recipientes están bien colocados en los compartimentos del refrigerador y en la puerta.

Ejemplos de utilización

Vino blanco, cerveza y agua mineral	Enfríelos antes de consumir
Plátanos	No las almacene en la nevera
Pescado o asaduras	Guárdelos en el interior de bolsas de polietileno
Queso	Utilice envases al vacío o bolsas de polietileno; para conseguir el mejor resultado, extraígalo de la nevera una hora antes de consumirlo.
Melones	Guárdelos por un periodo corto de tiempo, utilice envases al vacío.
Carne cruda o aves	No lo guarde junto a productos delicados como comida cocinada o leche.


Qué hacer en caso de que...

1- El aparato no funciona, a pesar de que está enchufado.

- Compruebe que el cable de alimentación esté bien enchufado.
- Compruebe que hay corriente o que haya saltado un fusible.
- Compruebe que el mando de control de la temperatura esté bien ajustado!

2- Haya un apagón.

Este refrigerador puede utilizarse para guardar, durante un periodo prolongado de tiempo, comida precongelada y, además, puede utilizarse para congelar y guardar productos frescos.

En el caso de un apagón, no abra la puerta. Para un aparato con la indicación , la comida congelada en el congelador no debería verse afectada si el apagón dura menos que el «tiempo de conservación en caso de apagón (horas)» indicado en la etiqueta.

Si el apagón dura más que el «tiempo de conservación en caso de apagón (horas)», deberá comprobar el estado de los alimentos y consumirlos inmediatamente o cocinarlos y volverlos a congelar.

3- La luz del interior no funciona.

Compruebe el suministro eléctrico.

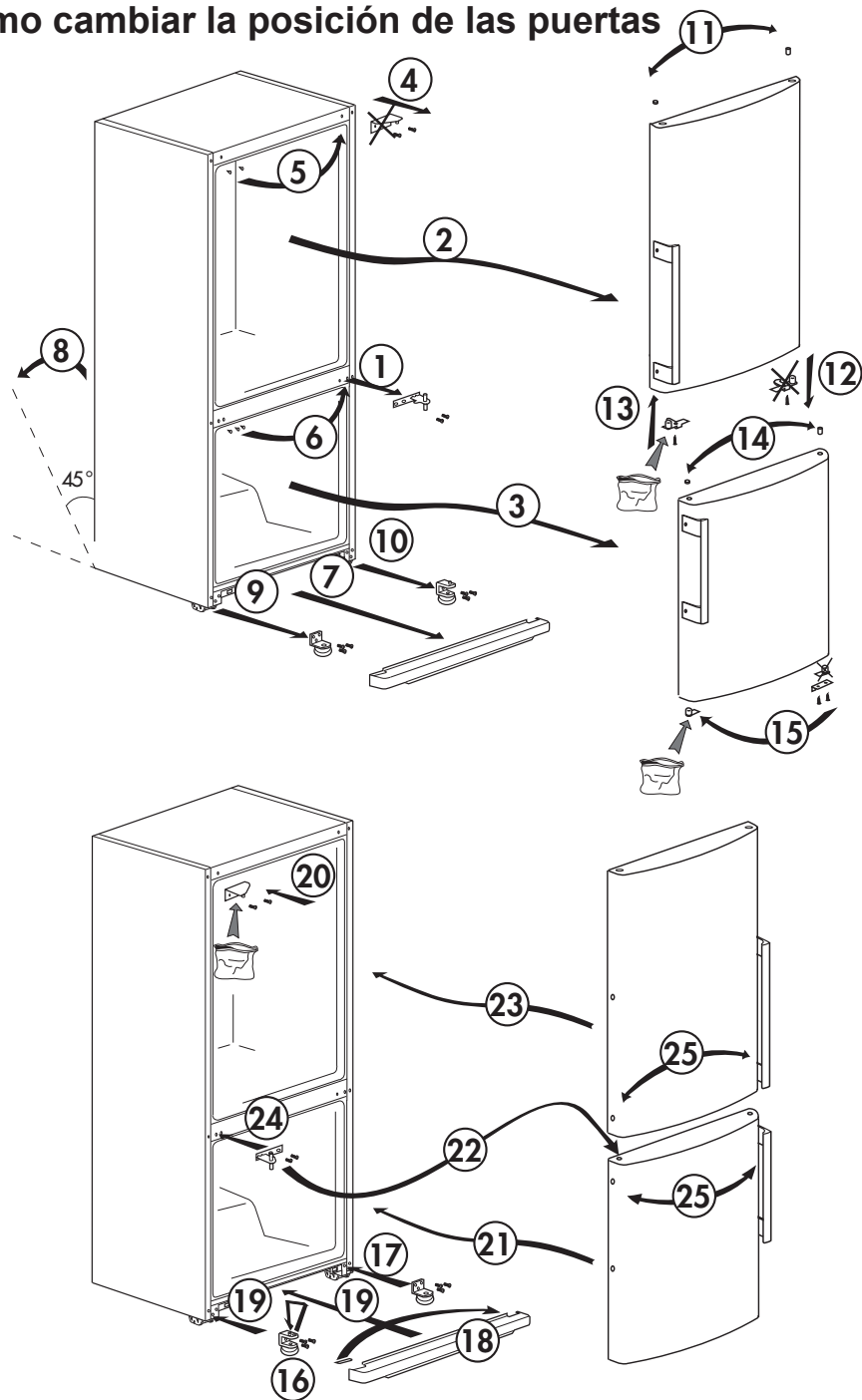
Compruebe la correcta instalación de la bombilla. Antes de comprobar el estado de la bombilla, desenchufe el cable de alimentación. (Véase también el aparato «sustitución de la bombilla interior»)

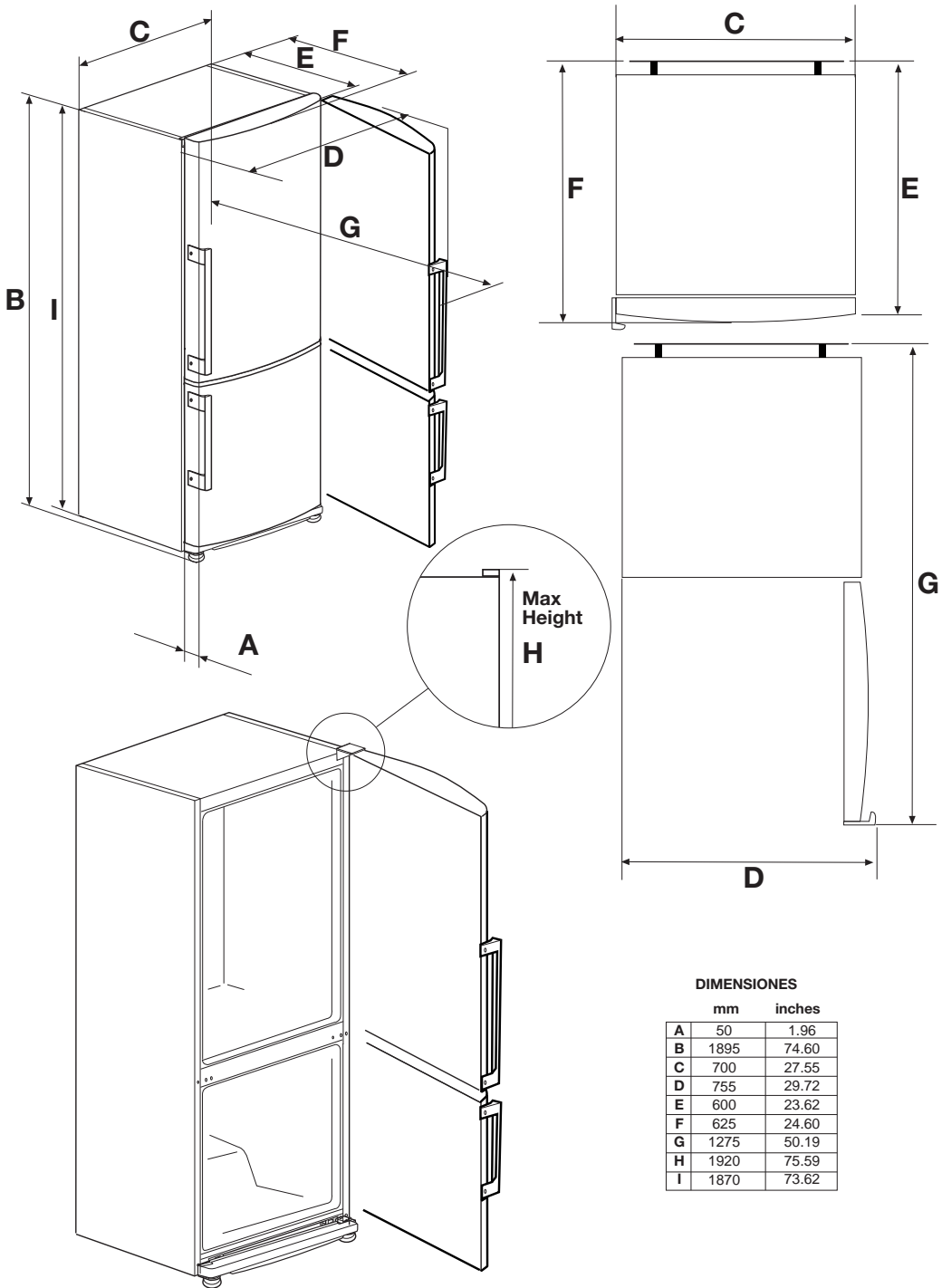
4- Otros fallos posibles

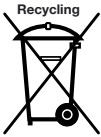
No todos los fallos deben avisarse al servicio de atención al cliente. Muy a menudo puede solucionar el problema sin solicitar sus servicios. Antes de solicitar el servicio de reparación, compruebe que la avería no se haya debido a un mal uso del aparato. Si es así y ha solicitado la presencia del servicio técnico, se le cargará por el servicio aunque el aparato esté en garantía.

Si el problema persiste, póngase en contacto con el servicio de asistencia técnica. Cuando llame, tenga a mano el tipo de aparato y el número de serie. La etiqueta identificativa se encuentra en el interior del aparato.

Cómo cambiar la posición de las puertas



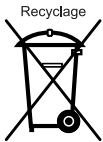




This product bears the selective sorting symbol for waste electrical and electronic equipment (WEEE).

This means that this product must be handled pursuant to European Directive 2002/96/EC in order to be recycled or dismantled to minimize its impact on the environment. For further information, please contact your local or regional authorities.

Electronic products not included in the selective sorting process are potentially dangerous for the environment and human health due to the presence of hazardous substances.



Ce produit est marqué du symbole du tri sélectif, relatif aux déchets d'équipements électriques et électroniques. Cela signifie que ce produit doit être pris en charge par un système de collecte sélectif conformément à la directive européenne 2002/96/CE, afin de pouvoir être recyclé ou démantelé dans le but de réduire tout impact sur l'environnement. Attention les produits électroniques n'ayant pas fait l'objet d'un tri sélectif sont potentiellement dangereux pour l'environnement et la santé humaine en raison de la présence potentielle de substances dangereuses.



Este producto incorpora el símbolo de recogida selectiva de residuos de equipos eléctricos y electrónicos.

Ello significa que este producto debe ser manipulado teniendo en cuenta la Directiva Europea 2002/96/EC, en orden de ser reciclado o recuperado para minimizar su impacto en el medio ambiente. Para mas información rogamos contacte con las autoridades locales o regionales más próximas a su domicilio.

Los productos electrónicos no incluidos en el proceso de recogida selectiva son potencialmente peligrosos para el medio ambiente y la salud humana debido a la presencia de ciertas sustancias.