

# BRFB 1822 SSLN

17.8 cu.ft (505 L) total gross volume  
Duo cycle no frost cooling



## Fridge

11.05 cu-ft (313 L) net fresh food volume  
Frost free  
Chrome coated wine rack  
Illumination with white LED  
2 safety glass shelf  
3 door rack  
Energy Star 2014 qualified

## Freezer

5.12 cu-ft (145 L) net freezer volume  
Auto defrost  
Automatic Ice Maker  
Fast freeze function  
3 Drawers

## Hygiene

Blue zone  
hygAIR ionizing technology  
Hygiene+ antibacterial carbon filter  
Antibacterial seal

## Technical Information

Dimensions (HxWxD) (Cm): 172 x 74 x 77  
Dimensions (HxWxD) (In): 67 3/4 x 29 1/8 x 30 3/8\*

\*Depth is with door handles. (Without handles depth 28 3/8")

## Color

BRFB 1822 SSN: Fingerprint free stainless steel, auto ice maker, right hinge  
BRFB 1822 SSLN: Fingerprint free stainless steel, auto ice maker, left hinge

## FEATURES



nofrost

### NoFrost

Keeps food fresher for longer periods. Eliminates ice and bacteria build-up, avoids unpleasant fridge odors.



hygAIR

### HygAIR

Eliminates airborne bacteria and odor forming molecules, by producing natural negative ions. And food stays fresher for longer.



trio  
cooling

### TrioCycle

Provides separate air circulation in the freezer, the fresh food compartment and the flexi zone by means of three separate fans – so prevents odour blending, preserves foods and provides more energy efficient and silent cooling.



bluelight

### Blue Light

Allows fruit and vegetables to continue photosynthesis. Your food maintains its vitamin value.



hygiene+

### Hygiene+

Photo catalyst carbon filter, eliminates bacteria, reduce fridge odour and ensures hygiene. The carbon filter can be reactivated easily, with just one day's exposure to sunlight.

**Blomberg®**

seit 1883

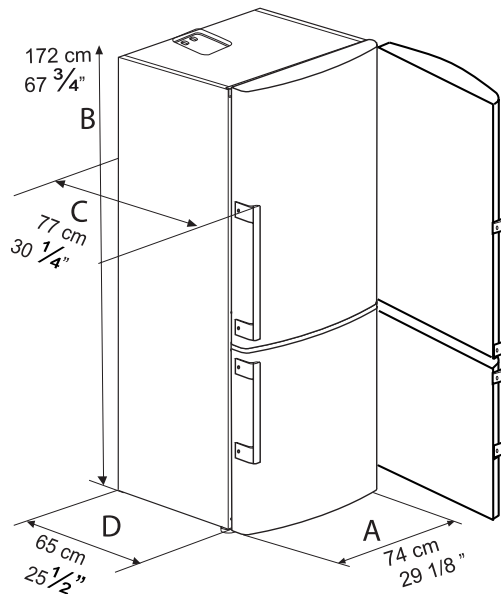
# BRFB 1822 SSLN

**17.8 cu.ft (505 L) total gross volume**  
**Duo cycle no frost cooling**

CONTROLS	
Type	Full Frost Free Bottom Freezer Refrigerator
Control system	Electronic Control
Cooling system	DUO CYCLE NO FROST COOLING
CAPACITIES	
Total net volume, cu.ft	16,2
L	458
Fresh food net volume, cu.ft	11,1
L	313
Freezer net volume, cu.ft	5,1
L	145
FRIDGE FEATURES	
Water dispenser	-
Electronic control display type	7 segment
Auto defrost	x
Inner illumination	White LED
Shelves	2 safety glass
Crispers	1
Door racks	3
Wine rack	x
Bottle gripper	-
Egg tray	2 x opaque / 6 egg holder
Compressor	Variable Speed VCC
Fan ventilation	x
FLEXI ZONE	
Total net volume, cu.ft	-
L	-
Number of drawers	-
Number of shelves	-
Adjustable temperature range	-
FREEZER FEATURES	
Auto defrost	x
Fast freeze function	-
Number of freezer drawers	3
Number of flaps	-
Automatic ice maker	3,96832 lbs/day
Ice cube tray	-
HYGIENE	
Blue zone	x
hygAIR ionizing tech-logy	x
Hygiene+ antibacterial carbon filter	x
Antibacterial seal	x
TECHNICAL INFORMATION	
Supply voltage, V/Hz	120 V / 60 Hz
Rated Current, A	1.9 A
Noise level, dBA	43
DIMENSIONS	
Unpacked HxWxD, cm	172x74x77
Unpacked HxWxD, in	67 3/4 x 29 1/8 x 30 3/8
Packed HxWxD, cm	182x81x79
Packed HxWxD, in	71 5/8 x 31 7/8 x 31 1/8
Product weight, kg	97
Product weight, lbs	213
Packed weight, kg	102
Packed weight, lbs	224
PERFORMANCE	
Energy Star qualified	x
Climatic class	T
Annual energy consumption, kwh/year	528
Cooling gas	R600a
COLOR OPTIONS	
WH: White	-
SL: Silver	-
SS: Finger Print Free Stainless Steel	x
FFBI: Fully Integrated	-

# BRFB 1822 SSLN

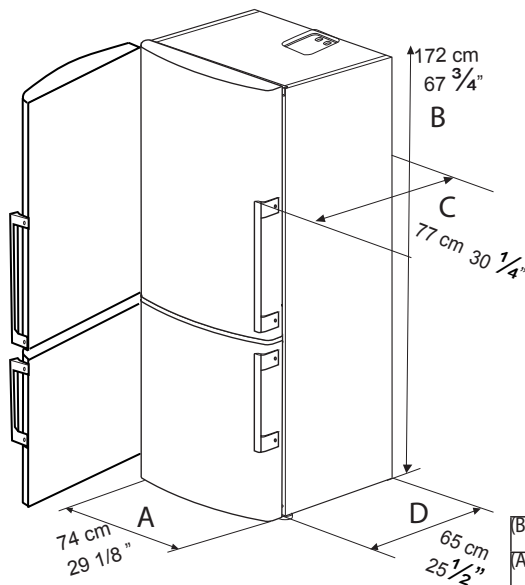
17.8 cu.ft (505 L) total gross volume  
Duo cycle no frost cooling



(B) Altura (cm/inch) sin paseó	172 - 67 3/4"
(A) Ancho (cm /inch) sin paseó	74 -29 1/8"
(C) Profundidad (cm /inch) sin paseó (con	77- 30 1/4"

(B) Altura (cm/inch) paseó	182.6-28 3/8 "
(A) Ancho (cm /inch) paseó	81.3 -32 "
(C) Profundidad (cm /inch) paseó	77.6-30 1/2"

Peso bruto (Kg) / lbs	101.5 /223.3"
Peso muerto (Kg) / lbs	94.6 /208.1"



(B) Altura (cm/inch) sin paseó	172 - 67 3/4"
(A) Ancho (cm/inch) sin paseó	74 -29 1/8"
(C) Profundidad (cm/inch) sin paseó (con	77- 30 1/4"

(B) Altura (cm/inch) paseó	182.6-28 3/8 "
(A) Ancho (cm /inch) paseó	81.3 -32 "
(C) Profundidad (cm /inch) paseó	77.6-30 1/2"

Peso bruto (Kg) / lbs	101.5 /223.3"
Peso muerto (Kg) / lbs	94.6 /208.1"