

# 30 Inch Fully Integrated Built-In Bottom-Freezer Refrigerator

BRFB1920SS / BRFB1920FBI / BRFB1900FBI



## Contemporary European Design

The hallmark of a contemporary kitchen, this sleek built-in fridge offers the ultimate in style, function, and creative customization.

Featuring true-flush design, it integrates seamlessly with surrounding cabinetry. Intelligent features include hidden hinges, full door height with no exposed venting, front-end leveling for the back feet, a durable metal freezer drawer, and 3-D door adjustment for perfect alignment.

Choose a lustrous stainless finish or panel-ready alternatives that let you custom match your cabinets. Interior LED lighting brilliantly illuminates every corner while conserving energy. Large, easy-to-read digital display puts complete control within easy reach.

## In Harmony With Your Life



### In Harmony with Nature

Blomberg understands living well also means living intelligently and responsibly. It's a distinction that earned us the ENERGY STAR® 2017 Partner of the Year—Product Brand Owner award. Featuring innovative technology that safeguards your food and ensures maximum freshness, our ENERGY STAR certified refrigerators also conserve energy, save money, and help protect the planet. The ultimate in eco-friendly engineering, Blomberg refrigerators are built with 99.9% lead-free materials, 100% free from ozone-depleting greenhouse gases, and manufactured with 85% recyclable components.



### Duo-Cycle Cooling

Ingenious Blomberg refrigerators are equipped with advanced multi-cycle, frost free, silent cooling technology. Independently zoned and controlled cooling systems maintain even air temperature and humidity in separate freezer and fresh-food compartments, delivering enhanced food preservation and maximum energy efficiency. No air transfer between compartments means food in the freezer section freezes faster, items in the refrigerator stay fresher longer, and odors don't circulate.



### Blue Light Technology

Exclusive Blomberg Blue Light Technology represents a breakthrough in keeping fruits and vegetables fresh and juicy long after they're picked. Continuous blue light rays illuminate the crisper and allow the natural process of photosynthesis to continue, prolonging storage life and preserving natural flavors, colors, textures, and nutrients.



### IonFresh

The exceptional IonFresh inherent in Blomberg refrigerators, is developed to bring freshness of the pine forests to your kitchen. The Ion Fresh technology eliminates airborne bacteria and odor-forming molecules by producing natural negative ions inside the cabinet. These ions capture microorganisms and transfer them out of the refrigerator via the defrost process. Your food stays fresher for longer.



### 90-degree opening flush hinge fridge

The unique hinge design provides a full 90-degree opening around the rotation axis. Your fridge can be installed adjacent to a wall, providing maximum access to the shelves and all drawers in tight spaces

**Blomberg®**  
seit 1883

# 30 Inch Fully Integrated Built-In Bottom-Freezer Refrigerator

BRFB1920SS / BRFB1920FBI / BRFB1900FBI



## Fridge Features

- Soft Close Crisper
- Sabbath Mode
- Large Pantry Drawer
- Height Adjustable Cantilever Shelves
- Filtered Water Dispenser (BRFB1920 only)
- Large, Easy-to-Read Digital Display
- Interior Theatre Lighting with LED Lights
- Field Reversibility of Doors
- 3D Door Adjustment

## Freezer Features

- Automatic Ice Maker - 11 lbs per day (BRFB1920 only)
- Large Freezer Drawer
- Metal Freezer Drawer

## Dimensions

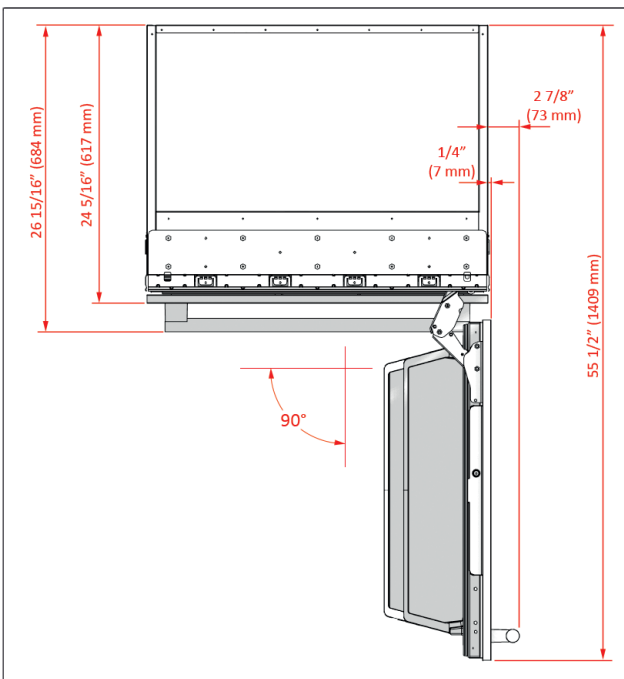
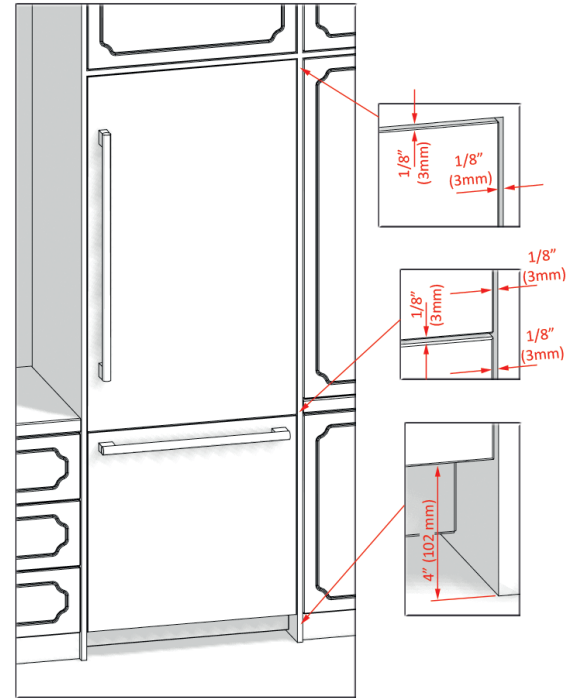
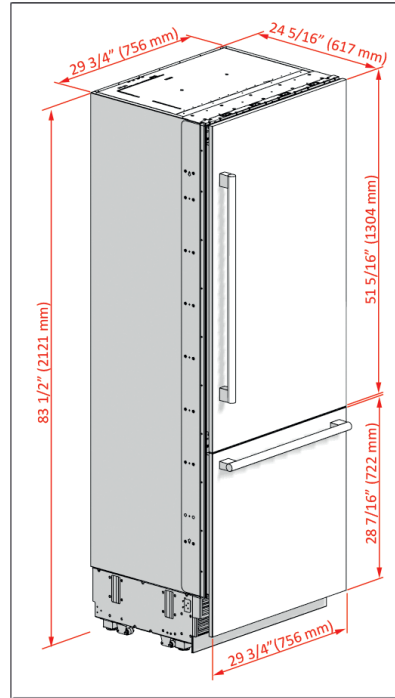
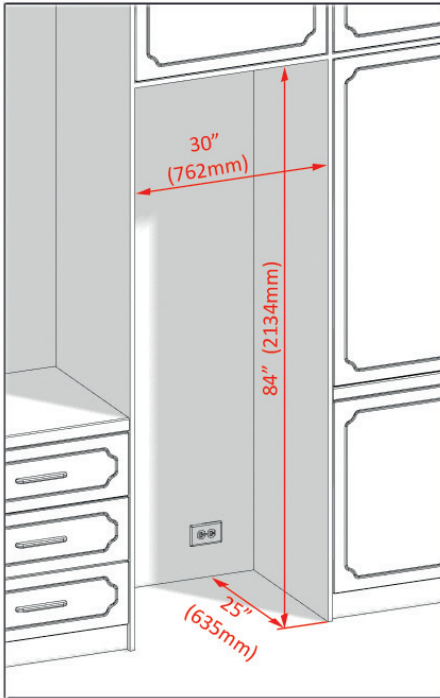
- H x W x D: 83 1/2" x 29 3/4" x 24 5/16"
- Depth is with Doors / Without Handles - Flush Design
- Fits 30 Inch Wide Cabinet / No Exposed Vent Grill

CONTROLS	BRFB1920SS / BRFB1920FBI	BRFB1900FBI
Cooling System	Duo Cycle Dual Compressor Frost Free Cooling	Duo Cycle Dual Compressor Frost Free Cooling
Control System	Electronic Control	Electronic Control
CAPACITIES		
Total Net Volume, Cu.ft	16.4	16.4
Fresh Food Net Volume, Cu.ft	11.6	11.6
Freezer Net Volume, Cu.ft	4.8	4.8
FRIDGE FEATURES		
Blue Light Technology	Yes	Yes
Ionfresh	Yes	Yes
Carbon Filter	Yes	Yes
Filtered Water Dispenser	Yes	No
Electronic Control Display Type	TFT LCD	TFT LCD
Auto Defrost	Yes	Yes
Inner Illumination	LED - Side Walls, Ceiling	LED - Side Walls, Ceiling
Shelves	3	3
Crispers	1	1
Door Racks	3	3
Compressor	Variable Speed Compressor	Variable Speed Compressor
Fan Ventilation	Yes	Yes
FREEZER FEATURES		
Auto Defrost	Yes	Yes
Number Of Freezer Drawers	1	1
Automatic Ice Maker	Yes	No
Ice Cube Tray	Yes	No
TECHNICAL INFORMATION		
Supply Voltage, V/Hz	120/60	120/60
Rated Current, A	2	2
Noise Level, dBA	44	44
DIMENSIONS		
HxWxD, in	83 1/2 x 29 3/4 x 24 5/16	83 1/2 x 29 3/4 x 24 5/16
Package HxWxD, in	90 1/2 x 33 3/8 x 29 1/2	90 1/2 x 33 3/8 x 29 1/2
Product Weight, lbs	507 lbs	507 lbs
Packed Weight, lbs	520 lbs	520 lbs
HxWxD, cm	212.1 x 75.6 x 60.9	212.1 x 75.6 x 60.9
Package HxWxD, cm	230 x 84.8 x 75	230 x 84.8 x 75
Product Weight, kg	230 kilograms	230 kilograms
Packed Weight, kg	236 kilograms	236 kilograms
PERFORMANCE		
Energy Star Qualified	Yes	Yes
Climatic Class	T	T
Annual Energy Consumption, kwh/year	556	472
Cooling Gas	R600a	R600a
COLOR OPTIONS		
SS: Stainless Steel	Yes	No
FBI: Panel Ready	Yes	Yes

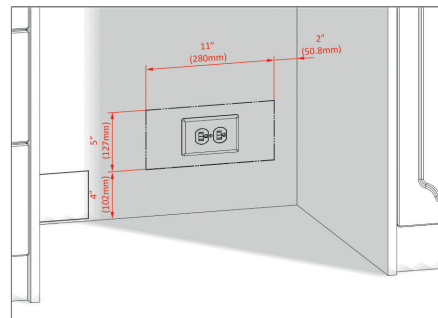
# 30 Inch Fully Integrated Built-In Bottom-Freezer Refrigerator

BRFB1920SS / BRFB1920FBI / BRFB1900FBI

## Refrigeration Dimensions and Installation



### Electrical



### Plumbing

