

Blomberg®

seit 1883

Refrigerator

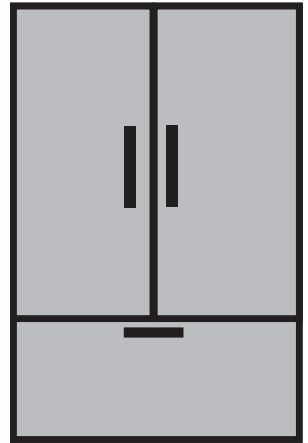
User Manual

Réfrigérateur

Manuel d'utilisation

Refrigerador

Manual del usuario



BRFD2230SS



Please read this manual before using the product!

Dear Customer,

We'd like you to make the best use of our product, which has been manufactured in modern facilities with care and meticulous quality controls.

Thus, we advise you to read the entire user manual before you use the product. In case the product changes hands, do not forget to hand the guide to its new owner along with the product.

This guide will help you use the product quickly and safely.

- Please read the user guide carefully before installing and operating the product.
- Always observe the applicable safety instructions.
- Keep the user guide within easy reach for future use.
- Please read any other documents provided with the product.

Keep in mind that this user guide may apply to several product models. The guide clearly indicates any variations of different models.

	Important information and useful tips.
	Risk of life and property.
	Risk of electric shock.
	The product's packaging is made of recyclable materials, in accordance with the National Environment Legislation.

1 Important instructions for safety and environment **3**

1.1	General safety	3
1.1.1	HCA warning	4
1.1.2	For products with a water dispenser	4
1.2	Intended use	4
1.3	Children's safety	4
1.4	Compliance with WEEE Directive and Disposing of the Waste Product:	5
1.5	Compliance with RoHS Directive:	5
1.6	Package information.	5

2 Your Refrigerator **6**

3 Installation **7**

3.1	Appropriate installation location	7
3.2	Installing the plastic wedges	7
3.3	Electrical connection	7
3.4	Adjusting the feet.	8
3.5	Illumination lamp	8
3.6	Door open warning.	8
3.7	Water connection.	8
3.7.1	Before Installation	9
3.8	Connecting the water hose to the refrigerator	9
3.9	Connecting the water line to the water supply	9
3.10	Water filter	10
3.10.1	Attaching the internal filter into the refrigerator	10
3.11	Before starting to use the water/ice dispenser	11
3.12	Transportation of the product	12

4 Preparation **13**

4.1	Things to be done for energy saving	13
4.2	Recommendations for the fresh food compartment.	13
4.3	Initial use.	14

5 Operating the product **18**

5.1	Indicator panel	18
5.2	Dual cooling system.	20
5.3	Freezing fresh food	20
5.4	Recommendations for preserving the frozen food	20
5.5	Placing the food.	20
5.6	Deep-freeze information.	20
5.7	Removing door shelves	22
5.8	Moving door rack	22
5.9	Glass shelves.	22
5.10	Chiller compartment.	22
5.11	Crisper	23
5.12	Humidity controlled crisper (FreSHelf).	23
5.13	Ice container	23
5.14	Butter & Cheese section	24
5.15	Egg holder.	24
5.16	Movable middle section	24
5.17	Blue light	24
5.18	Ion	24
5.19	Odour filter	25
5.20	Using internal water dispenser	25
5.21	Dispensing Water	25
5.22	For using water dispenser	25
5.23	Refrigerator Shelf Weight Limitations.	26

6. Maintenance and cleaning **27**

6.1	Avoiding bad odours.	27
6.2	Protecting the plastic surfaces	27

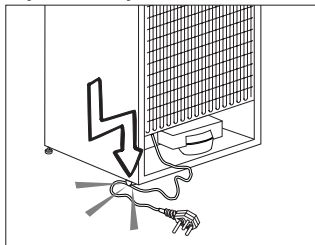
7 Troubleshooting **28**

1 Important instructions for safety and environment

This section contains safety instructions that will help protect from risk of personal injury or property damage. Failure to follow these instructions shall void any warranty.

1.1 General safety

- This product can be used by children at and above 8 years old and by persons whose physical, sensory or mental capabilities were not fully developed or who lack experience and knowledge provided that they are supervised or trained on the safe usage of the product and the risks it brings out. Children must not play with the product. Cleaning and maintenance works should not be performed by children unless they are supervised by someone.
- Unplug the product if a failure occurs while it is in use.
- If the product has a failure, it should not be operated unless it is repaired by the Authorised Service Agent. There is the risk of electric shock!
- Connect the product to a grounded outlet protected by a fuse complying with the values in the rating plate. Have the grounding installation made by a qualified electrician. Our company shall not be liable for any damages that will arise when the product is used without grounding in accordance with the local regulations.
- Unplug the product when not in use.
- Never wash the product by spreading or pouring water onto it! There is the risk of electric shock!
- Never touch the plug with wet hands! Never unplug by pulling on the cable, always pull out by grabbing the plug.
- It is recommended to clean the tip of the plug regularly with a dry cloth.



- Do not plug the refrigerator if the wall outlet is loose.
- Never connect your refrigerator to electricity-saving systems. Such systems are harmful for the product.
- Unplug the product during installation, maintenance, cleaning and repairing procedures.
- Always have the installation and repairing procedures carried out by the **Authorised Service Agent**. Manufacturer shall not be held liable for damages that may arise from procedures carried out by unauthorised persons.
- Do not eat cone ice cream and ice cubes immediately after you take them out of the freezer compartment! This may cause frostbite in your mouth!
- Do not touch frozen food by hand! They may stick to your hand!
- Do not put bottled and canned liquid beverages in the freezer compartment. They may burst!
- Never use steam and steam assisted cleaning materials to clean or defrost the refrigerator. Steam will cause short circuit or electric shock since it would get into contact with the electrical parts in the refrigerator!
- Do not use mechanical devices or other methods to accelerate the defrosting process, other than those recommended by the manufacturer.
- Never use the parts on your refrigerator such as the door and drawer as a means of support or step. This will cause the product to tip over or parts of it get damaged.
- Do not damage the cooling circuit, where the refrigerant is circulating, with drilling or cutting tools. The refrigerant that might blow out when the gas channels of the evaporator, pipe extensions or surface coatings are punctured may cause skin irritations and eye injuries.
- Do not cover or block the ventilation holes on the refrigerator with any material.
- Place the beverage with higher proofs tightly closed and vertically.
- Do not use gaseous sprays near the product since there is the risk of fire or explosion!
- Flammable items or products that contain flammable gases (e.g. spray) as well as the explosive materials should never be kept in the appliance.

Important instructions for safety and environment

- Do not place containers filled with liquid on top of the product. Spilling water on an electrical component may cause electric shocks or risk of fire.
- Do not store products (vaccines, heat-sensitive medicines, scientific materials and etc.) that require a precise temperature control in the refrigerator.
- If you will not operate the product for a long period of time, unplug and unload the food in it.
- If the product is equipped with blue light, do not look at the blue light with optical tools.
- Exposing the product to rain, snow, sun and wind is dangerous with respect to electrical safety.
- In products with mechanical control (thermostat), wait for minimum 5 minutes to plug in the product again after unplugging it.
- Do not overload the product. It may fall when the door is opened, and cause injury or damage. Similar problems may occur in case of putting things on top of the product.
- If the product's door is equipped with a handle, do not pull by the handle when changing the place of the product. Handle may get loose.
- Pay attention not to have your hand or any part of your body get caught by the moving parts inside the product.

1.1.1 HCA warning

• If your product's cooling system contains R600a: This gas is flammable. Therefore, pay attention to not damaging the cooling system and piping during usage and transportation. In the event of damage, keep your product away from potential fire sources that can cause the product catch a fire and ventilate the room in which the unit is placed.

Ignore this warning if your product's cooling system contains R134a.

Type of gas used in the product is stated in the type plate which is on the left wall inside the refrigerator.

Never throw the product in fire for disposal.



If the product is equipped with a cooling system containing R134a gas, ignore this warning.



You can learn the gas used in production of your product on the rating plate located on the left inner part of it.



WARNING: Never dispose the product in fire.

1.1.2 For products with a water dispenser

- Pressure for cold water inlet shall be maximum 90 psi (6.2 bar). If your water pressure exceeds 80 psi (5.5 bar), use a pressure limiting valve in your mains system. If you do not know how to check your water pressure, ask for the help of a professional plumber.
- If there is risk of water hammer effect in your installation, always use a water hammer prevention equipment in your installation. Consult Professional plumbers if you are not sure that there is no water hammer effect in your installation.
- Do not install on the hot water inlet. Take precautions against of the risk of freezing of the hoses. Water temperature operating interval shall be 33°F (0.6°C) minimum and 100°F (38°C) maximum.
- Use only potable water.

1.2 Intended use

- This product has been designed for domestic use. It is not suitable for commercial use and it must not be used out of its intended use.
- Product must be used only for storing food.
- The manufacturer waives any responsibility arisen from incorrect usage or transportation.
- The service life of your product is 10 years. During this period, original spare parts will be available to operate the appliance properly.

1.3 Children's safety

- If the door has a lock, the key should be kept away from reach of children.

Important instructions for safety and environment

- Children must be supervised to prevent them from tampering with the product.



DANGER: Risk of child entrapment. Before you throw away your old refrigerator or freezer:

- Take off the doors.
- Leave the shelves in place so that children may not easily climb inside.

1.4 Compliance with WEEE Directive and Disposing of the Waste Product:



This product complies with EU WEEE Directive (2012/19/EU). This product bears a classification symbol for waste electrical and electronic equipment (WEEE). This product has been manufactured with high quality parts and materials which

can be reused and are suitable for recycling. Do not dispose of the waste product with normal domestic and other wastes at the end of its service life. Take it to the collection center for the recycling of electrical and electronic equipment. Please consult your local authorities to learn about these collection centers.

1.5 Compliance with RoHS Directive:

The product you have purchased complies with EU RoHS Directive (2011/65/EU). It does not contain harmful and prohibited materials specified in the Directive.

1.6 Package information

- Packaging materials of the product are manufactured from recyclable materials in accordance with our National Environment Regulations. Do not dispose of the packaging materials together with the domestic or other wastes. Take them to the packaging material collection points designated by the local authorities.



DANGER: Risk Of Fire or Explosion. Flammable Refrigerant Used. Do Not Use Mechanical Devices To Defrost Refrigerator. Do Not Puncture Refrigerant Tubing”.



DANGER: Risk Of Fire Or Explosion. Flammable Refrigerant Used. To Be Repaired Only By Trained Service Personnel. Do Not Puncture Refrigerant Tubing”.



CAUTION : Risk Of Fire Or Explosion. Flammable Refrigerant Used. Consult Repair Manual/ Owner’s Guide Before Attempting To Service This Product. All Safety Precautions Must be Followed.

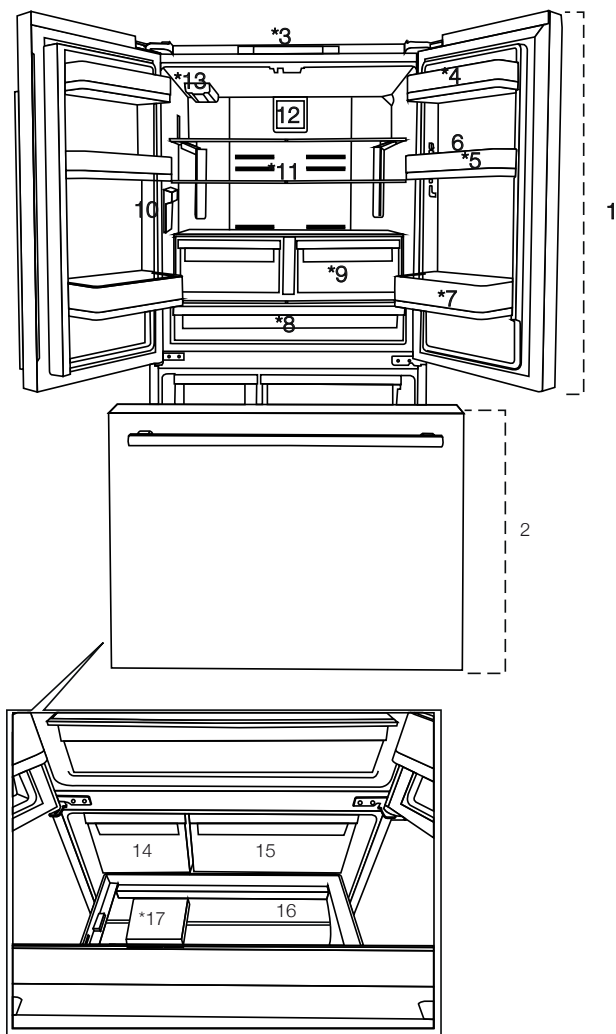


CAUTION : Risk Of Fire Or Explosion. Dispose Of Property In Accordance With Federal Or Local Regulations. Flammable Refrigerant Used.



CAUTION : Risk Of Fire Or Explosion Due To Puncture Of Refrigerant Tubing; Follow Handling Instructions Carefully. Flammable Refrigerant Used”.

2 Your Refrigerator



- 1- Fridge compartment
- 2- ButFreezer compartment
- 3- Display/indicator panel
- 4- Butter & cheese section
- 5- Fridge compartment door shelf
- 6- Eggy tray
- 7- Bottle shelf
- 8- Chiller compartment






- 9- Crispers
- 10- Inner water dispenser
- 11- Adjustable glass shelf
- 12- Blower
- 13- Water filter
- 14- Ice container
- 15- Frozen food storage compartment (upper)
- 16- Frozen food storage compartment (upper)
- 17- Separator



Figures in this user manual are schematic and may not match the product exactly. If the subject parts are not included in the product you have purchased, then those parts are valid for other models.

3 Installation

Refer to the nearest Authorised Service Agent for installation of the product. To make the product ready for use, make sure that the electricity installation is appropriate before calling the Authorised Service Agent. If not, call a qualified electrician to have any necessary arrangements carried out.

	Preparation of the location and electrical installation at the place of installation is under customer's responsibility.
	Product must not be plugged in during installation. Otherwise, there is the risk of death or serious injury!
	WARNING: Installation and electrical connections of the product must be carried out by the Authorised Service Agent. Manufacturer shall not be held liable for damages that may arise from procedures carried out by unauthorised persons.
	WARNING: Prior to installation, visually check if the product has any defects on it. If so, do not have it installed. Damaged products cause risks for your safety.
	Make sure that the power cable is not pinched or crushed while pushing the product into its place after installation or cleaning procedures.

3.1 Appropriate installation location

	WARNING: If the door of the room where the product will be placed is too small for the product to pass, then the product's doors must be removed and the product must be turned aside to pass it through.
---	--

- Choose a place at where you would use the product comfortably.
- Install the product at least 30 cm away from heat sources such as hobs, ovens, heater cores and stoves and at least 5 cm away from electrical ovens. Product must not be subjected to direct sun light and kept in humid places after installation.
- Appropriate air ventilation must be provided around your product in order to achieve an efficient operation. If the product is to be placed in a recess in the wall, pay attention to leave at least 5 cm distance with the ceiling and side walls.

- Do not place the product on the materials such as rugs or carpets.
- Place the product on an even floor surface to prevent jolts.
- Do not install the product in places where the temperature falls below 10°C /50°F.



If two coolers are to be installed side by side, there should be at least 4 cm distance between them.

3.2 Installing the plastic wedges

Plastic wedges are used to create the distance for the air circulation between the product and the rear wall. Insert the 2 plastic wedges onto the rear ventilation cover as illustrated in the figure. To install the wedges, remove the screws on the product and use the screws given in the same pouch with the wedges.

3.3 Electrical connection

Connect the product to a grounded outlet protected by a fuse complying with the values in the rating plate. Our company shall not be liable for any damages that will arise when the product is used without grounding in accordance with the local regulations.

- Electrical connection must comply with national regulations.
- Power cable plug must be within easy reach after installation.
- The voltage and allowed fuse or breaker protection are specified in the Rating Plate which is affixed to interior of the product. If the current value of the fuse or breaker in the house does not comply with the value in the rating plate, have a qualified electrician install a suitable fuse.
- The specified voltage must be equal to your mains voltage.
- Do not make connections via extension cables or multi-plugs.

Installation



WARNING: Damaged power cable must be replaced by the Authorised Service Agents.



WARNING: If the product has a failure, it should not be operated unless it is repaired by the Authorised Service Agent! There is the risk of electric shock!

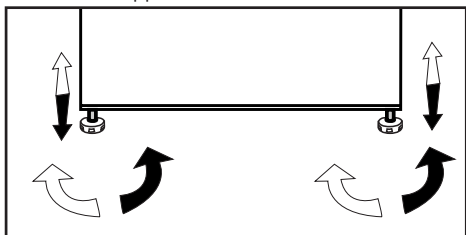
3.4 Adjusting the feet

If the product stands unbalanced after installation adjust the feet. Taking help from someone to slightly lift the refrigerator will facilitate this process.



WARNING: First unplug the product. Product must not be plugged in when adjusting the feet. There is the risk of electric shock!

Turn the front feet to balance the product. The corner where the foot exists is lowered when you turn in the direction of arrow and raised when you turn it in the opposite direction.

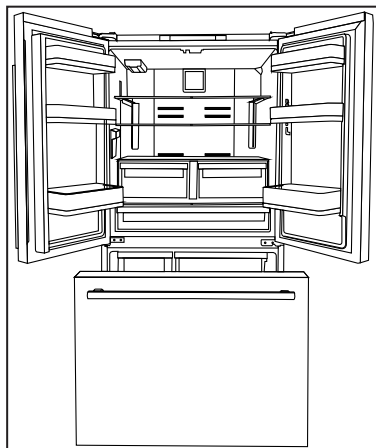


3.5 Illumination lamp

Do not attempt to repair yourself but call the Authorised Service Agent if the LED illumination lamps do not go on or are out of order. The lamp(s) used in this appliance is not suitable for household room illumination. The intended purpose of this lamp is to assist the user to place foodstuffs in the refrigerator/freezer in a safe and comfortable way.

3.6 Door open warning (This feature may vary depending on the door of the product and may not exist in some models.)

An audio warning signal will be given when the door of your product is left open for 1 minute. This warning will be muted when the door is closed or any of the display buttons (if any) are pressed.



3.7 Water connection

Depending on the model of the refrigerator, you can connect it either to a demijohn or water mains. First you must connect the water hose to the refrigerator.



In cases where a demijohn is used, a separate pump must also be used.



WARNING: Refrigerator and the pump, if any, must be unplugged during connection.



Following parts may not be supplied with your product since they are not required when using a demijohn.

Check that following part have been delivered together with the product:

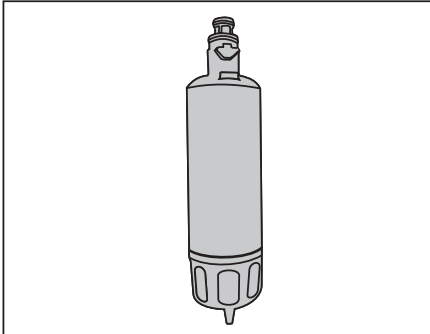
External water filter. (If there is a demijohn connection; it is not necessary to use a water filter.)

Installation

3.7.1 Before Installation

Make sure that you have everything necessary to ensure proper installation before proceeding, including:

Your product comes with an internal water filter for use inside the fridge. Part number of the filter is 4918450200 and you can use this part number when ordering replacement filters.

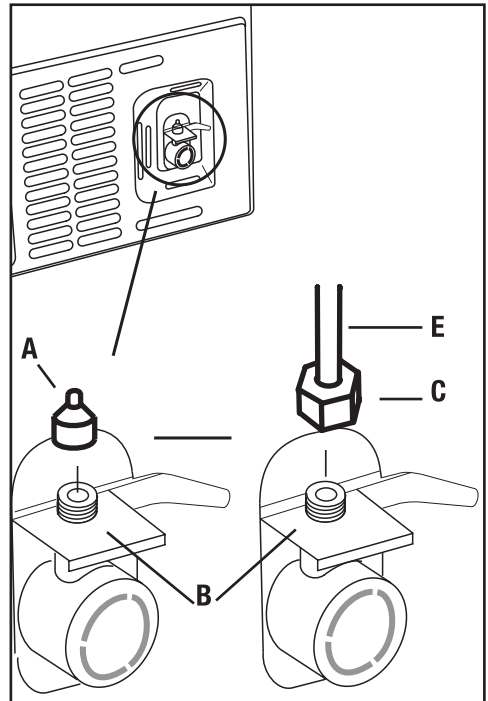


3.8 Connecting the water hose to the refrigerator

1. Slip the union (B) onto the water hose (A).
2. Push the water hose downwards firmly to slip it onto the water inlet valve (C).
3. Tighten the union (C) by hand to secure it onto the water inlet valve.



Normally, you are not required to tighten the union with a tool. However, you can use a spanner or pliers to tighten the union if there is a leakage.



3.9 Connecting the water line to the water supply

Connect the water line to a water supply valve. If a valve is not present or you are not sure, consult a qualified plumber.

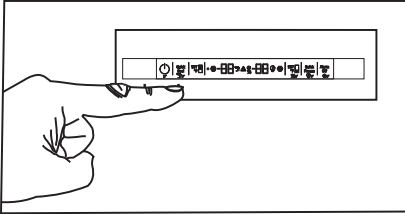
Installation

3.10 Water filter

(in some models)

Your refrigerator may be equipped with an external or internal filter depending on its model. To fit the water filter, follow the instructions below referring to the figures supplied:

3.10.1 Attaching the internal filter into the refrigerator



1. Pull the water filter cover slowly.

2. Remove the water filter bypass cover by turning it downwards.



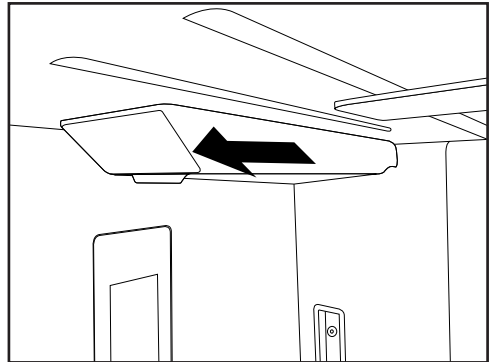
WARNING: Ensure that the Ice Off mode is enabled before removing the by-pass cover.



It is normal that a few drops of water drip after the cover has been removed.

3. Seat the water filter cover into the mechanism and push forwards to lock it in place.

4. Press “Ice Off” button on the display again to exit this mode.





Water filter must be replaced every 6 months. When replacing the water filter or if you will not use the filter anymore, remove it as illustrated in the figure and install the bypass cover. Make sure that the "Ice Off" mode is enabled before removing the filter.



WARNING: Water filter cleans some foreign particles in the water. It does not purify water from microorganisms.



WARNING: Ice Off button must be pressed before replacing the water filter or installing the by-pass cover.



WARNING: Unplug the product during the replacement of the filter.

3.11 Before starting to use the water/ice dispenser

- If the water pressure is below 1 bar or a demijohn will be used, than a separate must be used as well.
- Water system of the refrigerator must be connected to the cold water line. **It must not be connected to hot water line.**
- No water may be obtained in the initial start-up of the refrigerator. Because there is air in the system. To discharge air from the system, press dispenser latch for 1-2 minutes until water comes from the dispenser. Water flow may be irregular at the beginning. After the air in the system is discharged, water flow will return to normal.
- During initial use, you will have to wait approximately 12 hours for the water to cool down.
- It will take around 1-2 days for the system to produce required amount of ice.
- Water pressure must be between 1-8 bars for the operation of ice/water dispenser smoothly. For this, check that 1 glass of water (200 cc) can be filled in 10 seconds.
- The first 10 glasses of water should not be consumed.
- First several glasses of water may be turbid when the filter is used for the first time. Therefore, do not consume the first several glasses of water.
- If the water dispenser is not used for a long period of time, first 1-2 glasses of water can be hot.

Installation

- If a power outage or a temporary failure occurs while the refrigerator is operating, ice can melt down a little bit and then get frozen again. In such a case, ice cubes can stick to each other. If the outage or failure prolongs, ice can melt down causing water leakage. If you experience such a problem, empty and clean the ice container.
- Ice cubes can stick to each other if they are left in the container for a long time.
- Water system installation of the refrigerator must be performed by the Authorised Service Agent.
- If the product is to be connected to the water mains, make sure that you use potable water.
- Water system of the product is designed to operate only with water. Do not use beverage such as soft drinks and/or juices in the water system.
- It is recommended that the water is disconnected if you will not be using the refrigerator for a long period of time due to vacation or similar reasons.
- Do not attempt to dismantle the ice container group assembly parts.
- Do not attempt to clean the ice container assembly without removing it from the refrigerator.
- When taking water from the water dispenser, remove the glass from the opening 1 second after releasing the trigger. Thus, water in the system will not drip into the drip tray.

3.12 Transportation of the product

1. Unplug the product before transporting it.
2. Remove water connections.
3. Secure the shelves, accessories, crisper and etc. in the refrigerator by adhesive tape before repackaging it.



Packaging must be tied with thick tapes or strong ropes and the rules of transportation printed on the package must be followed.



Original packaging and foam materials should be kept for future transportations.



WARNING: Packaging materials are dangerous for the children. Keep packaging materials in a safe place away from reach of the children.

4 Preparation

4.1 Things to be done for energy saving



Connecting the product to electric energy saving systems is risky as it may cause damage on the product.

- Do not leave the doors of your refrigerator open for a long time.
- Do not put hot food or drinks in your refrigerator.
- Do not overload the refrigerator. Cooling capacity will fall when the air circulation inside is hindered.
- Do not place the refrigerator in places subject to direct sunlight. Install the product at least 30 cm away from heat sources such as hobs, ovens, heater cores and stoves and at least 5 cm away from electrical ovens.
- Pay attention to store your food in refrigerator in closed containers.
- You can load maximum amount of food to the freezer compartment of the refrigerator by removing the freezer compartment shelf or drawer. Declared energy consumption value of the refrigerator was determined with the freezer compartment shelf or drawer removed and with maximum amount of food loaded. There is no risk in using a shelf or drawer suitable for the shapes and sizes of the foods to be frozen.
- Thawing frozen food in fridge compartment will both provide energy saving and preserve the food quality.



The ambient temperature of the room where you install the refrigerator should at least be 10°C /50°F. Operating your refrigerator under cooler conditions than this is not recommended.



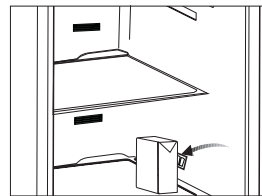
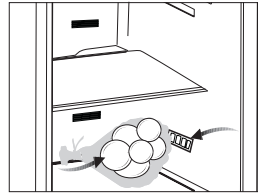
Inside of your refrigerator must be cleaned thoroughly.



If two coolers are to be installed side by side, there should be at least 4 cm distance between them.

4.2 Recommendations for the fresh food compartment

- Do not allow the food to touch the temperature sensor in fresh food compartment. To allow the fresh food compartment keep its ideal storage temperature, sensor must not be hindered by food.
- Do not put hot food and beverages inside the product.



4.3 Initial use

Before starting to use the product, check that all preparations are made in accordance with the instructions in sections "Important instructions for safety and environment" and "Installation".

- Clean the interior of the refrigerator as recommended in the "Maintenance and cleaning" section. Check that inside of it is dry before operating it.
- Plug the refrigerator into the grounded wall outlet. When the door is opened the interior illumination will turn on.
- Run the refrigerator without putting any food for 6 hours and do not open its door unless certainly required.

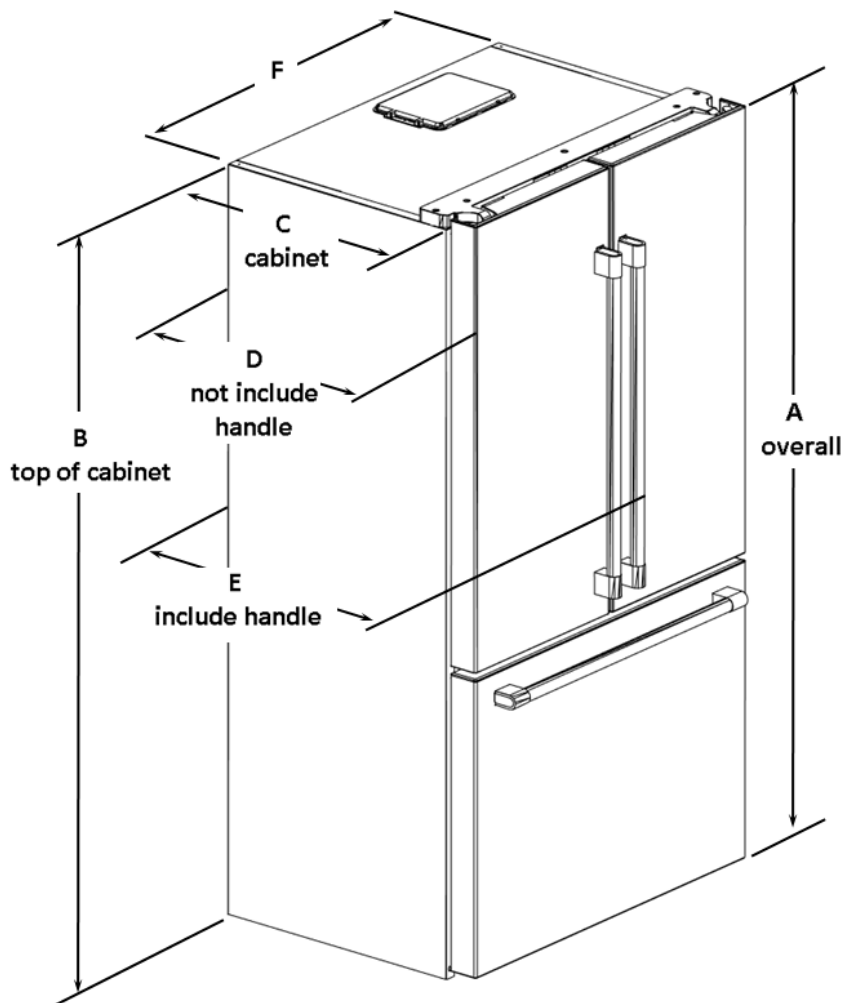


You will hear a noise when the compressor starts up. The liquids and gases sealed within the refrigeration system may also give rise to noise, even if the compressor is not running and this is quite normal.



Front edges of the refrigerator may feel warm. This is normal. These areas are designed to be warm to avoid condensation.

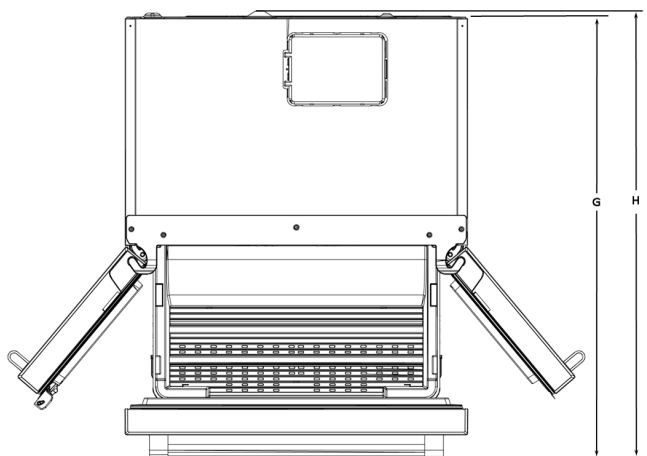
PRODUCT DIMENSIONS



Preparation

DIMENSIONS [36" FRENCH REFRIGERATOR]

Freezer Door Open Max (Drawer)

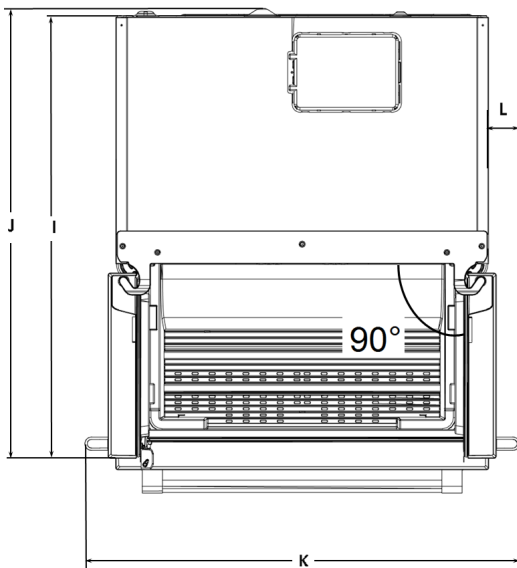


Height-Overall "A"	Height-TopOfCabinet "B"	Depth-CabinetOnly "C" "O"	Depth-Without Handles "D"
1771mm (69,72")	1710mm (67,32")	600mm (23,62")	680,5mm (26,79")
Depth-WithHandles "E"	Width-Cabinet "F"	Depth-DrawerOpen "G"	TotalDepth-DrawerOpen "H"
737mm (29,01")	908mm (35,74")	1157mm (45,55")	1178,5mm (46,40")
Depth-Doors Open90° "I"	TotalDepth-Doors Open90° "J"	Width-Doors Open90°WithHandles "K"	Width-Doors Open90°- FromCabinetToHandle "L"
1072,6mm (42,22")	1094mm (43,07")	1059,2mm (41,70")	75,6mm (2,97")
Width-Doors Open130°- FromHandleToHandle "M"	Width-Doors Open130°- FromCabinetToHandle "N"	Depth-Doors Open130° "P"	Depth-Doors Open130° "R"
1530.2mm (41,70")	311,2mm (12,25")	391mm (15,39")	991mm (39,01")

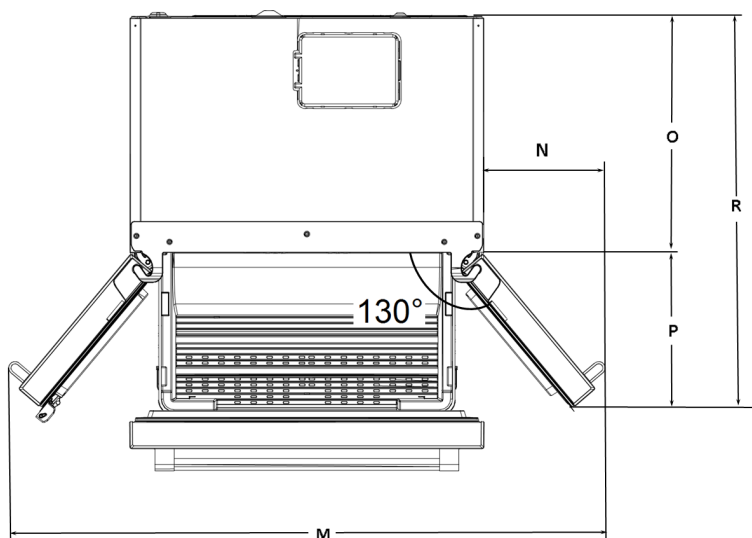
Min Clearance From the Top: 2 inches

Min Clearance From the Sides: 2 inches

Fresh Food Door Open 90°



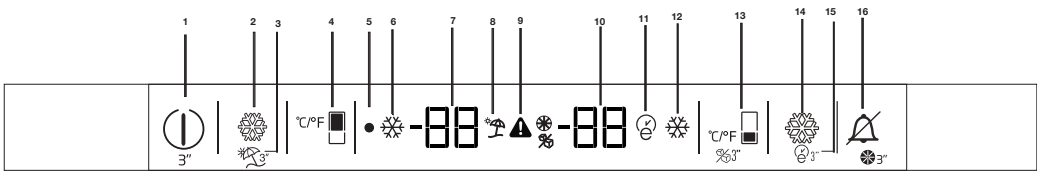
Fresh Food Door Open 130° (Max)



5 Operating the product

5.1 Indicator panel

Touch-control indicator panel allows you to set the temperature and control the other functions related to the product without opening the door of the refrigerator. Just press the relevant buttons for function settings.



1-On/Off function

Press the On/Off button for 3 seconds to turn off or turn on the fridge.

2-Quick Fridge Function

When you press Quick Fridge button, the temperature of the compartment will be colder than the adjusted values.

This function can be used for food placed in the fridge compartment and required to be cooled down rapidly.

If you want to cool large amounts of fresh food, it is recommended to activate this feature before putting the food into the fridge. Quick Fridge indicator will remain lit when the Quick Fridge function is enabled. To cancel this function press Quick Fridge button again. Quick Fridge indicator will turn off and return to its normal settings.

If you do not cancel it, Quick Fridge will cancel itself automatically after 2 hours or when the fridge compartment reaches to the required temperature. This function is not recalled when power restores after a power failure.

3-Vacation Function

Press the Quick Fridge/Vacation button for 3 seconds to activate Vacation function. "--" icon comes on when the function is active. Function is deactivated by pressing the same button for 3 seconds again or by pressing Fridge set button.

4-Fridge Set Function

This function allows you to make the fridge compartment temperature setting. Press this button to set the temperature of the fridge compartment to 47, 45, 43, 41, 39, 37, 35 or 33° respectively.

5-Off Indicator

Off Indicator lits when the fridge is "Off" mode.

6-Quick Fridge Indicator

This icon lits when the Quick Fridge function is active.

7-Fridge Compartment Temperature Setting Indicator

Indicates the temperature set for the Fridge Compartment.

8-Vacation Indicator

This icon lits when the Vacation function is active.

9-High Temperature Error / Warning Indicator

This icon comes on during high temperature failures and error warnings.

10-Freezer Compartment

Temperature Setting Indicator Indicates the temperature set for the Freezer Compartment.

11-Eco-Extra Indicator

Eco-Extra Indicator lits when the Eco Extra function is active.



Figures in this user manual are schematic and may not match the product exactly. If the subject parts are not included in the product you have purchased, then those parts are valid for other models.

Operating the product

12-Quick Freeze Indicator

This indicator lights when the Quick Freezer function is active.

13-Freezer Set Function

This function allows you to make the freezer compartment temperature setting. Press this button to set the temperature of the freezer compartment to 0, -2, -4, -6, -8, -10 and -12 respectively.

14-Quick Freeze Function

Quick Freeze indicator turns on when the Quick Freeze function is on. To cancel this function press Quick Freeze button again. Quick Freeze indicator will turn off and return to its normal settings. If you do not cancel it, Quick Freeze will cancel itself automatically after 4 hours or when the freezer compartment reaches to the required temperature. If you want to freeze large amounts of fresh food, press the Quick Freeze button before putting the food into the freezer compartment. If you press the Quick Freeze button repeatedly with short intervals, the electronic circuit protection will be activated immediately.

This function is not recalled when power restores after a power failure.

15-Eco-Extra (Special Economic Usage) Function

Press the Quick Freeze\Eco Extra button for 3 seconds to activate the Eco Extra Function. Refrigerator will start operating in the most economic mode at least 6 hours later and the economic usage indicator will turn on when the function is active. Press the Quick Freeze button for 3 seconds again to deactivate the Eco Fuzzy Function.

16-Alarm Off

When the fridge door is opened for 2 minutes or when there is a sensor failure, a sound alarm turns on. Alarm can be turned off by pressing "Alarm Off" button.

Sensor failure alarm will not sound till power failure. If you close the door and then open again "Door open alarm" will be activated again after 2 minutes later.

5.2 Dual cooling system

Your refrigerator is equipped with two separate cooling systems to cool the fresh food compartment and freezer compartment. Thus, air and odour in the fresh food compartment and frozen food compartment do not get mixed. Thanks to these two separate cooling systems, cooling speed is much higher than other refrigerators. Also additional power saving is provided since the defrosting is performed individually.

5.3 Freezing fresh food

- Wrap the food or place them in a covered container before putting them in the refrigerator.
- Hot food and beverages must cool down to the room temperature before putting them in the refrigerator.
- The food that you want to freeze must be fresh and in good quality.
- Divided the food into portions according to your family's daily or meal based consumption needs.
- Pack the food in an airtight manner to prevent them from drying even if they are going to be stored for a short time.
- Materials to be used for packaging must be tear-proof and resistant to cold, humidity, odour, oils and acids and they must also be airtight. Moreover, they must be well closed and they must be made from easy-to-use materials that are suitable for deep-freezers.
- Frozen food must be used immediately after they are thawed and they should never be re-frozen.
- Do not freeze too large quantities of food at one time. The quality of the food is best preserved when it is frozen right through to the core as quickly as possible.

- Placing warm food into the freezer compartment causes the cooling system to operate continuously until the food is frozen solid.

5.4 Recommendations for preserving the frozen food

- Frozen food that you have purchased should be stored in accordance with the frozen food manufacturer's instructions for a **✳***** (4 star) frozen food storage compartment.
- Note the following to ensure that the high quality achieved by the frozen food manufacturer and the food retailer is maintained:
 1. Put packets in the freezer as quickly as possible after purchase.
 2. Make sure that contents of the package are labelled and dated.
 3. Check whether the "Use By" and "Best Before" dates on the packaging are exceeded or not.

5.5 Placing the food

Freezer compartment shelves	Various frozen food such as meat, fish, ice cream, vegetables and etc.
Egg holder	Egg
Fridge compartment shelves	Food in pans, covered plates and closed containers
Fridge compartment door shelves	Small and packaged food or beverage (such as milk, fruit juice, beer and etc.)
Crisper	Vegetables and fruits
Fresh zone compartment	Delicatessen products (cheese, butter, salami and etc.)

5.6 Deep-freeze information

Food must be frozen as rapidly as possible when they are put in a refrigerator in order to keep them in good quality.

You can keep the freshness of food for many months (at -18°C / 0°F or lower temperatures in the deep freeze).

Operating the product

Freezer Compartment Setting	Fridge Compartment Setting	Explanations
-18°C / 0°F	4°C / 39°F	This is the normal recommended setting.
-20°C / -4°F	3°C / 37°F	These settings are recommended when the ambient temperature exceeds 30°C/86°F.
Quick Freeze	4°C / 39°F	Use when you wish to freeze your food in a short time. Your refrigerator will return to its previous mode when the process is over.
-24°C / -12°F	2°C / 35°F	Use these settings if you think that your fridge compartment is not cold enough because of the hot ambient conditions or frequent opening and closing of the door.
-18°C / 0°F or colder	Quick Fridge	Use this function when you place too much into the fridge compartment or when you need to cool your food quickly. It is recommended that you activate Quick Fridge function 4-8 hours before placing the food.

Recommended Using Temperature: FF: 4°C / 39°F Frz : -18°C / 0°F



Divided the food into portions according to your family's daily or meal based consumption needs.



Pack the food in an airtight manner to prevent them from drying even if they are going to be stored for a short time.

- Materials necessary for packaging:
- Cold resistant adhesive tape
- Self adhesive label
- Rubber rings
- Pen

Materials to be used for packaging the foodstuff must be tear-proof and resistant to cold, humidity, odour, oils and acids.

Foods to be frozen should not be allowed to come in contact with the previously frozen items to prevent them from getting thawed partially.



Frozen food must be used immediately after they are thawed and they should never be re-frozen.

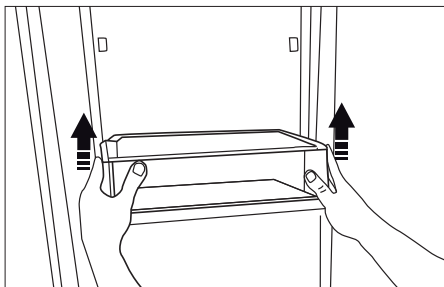
Operating the product

5.7 Removing door shelves

You can remove the door shelves to clean them. Push the desired shelf up to remove it.

Do not remove the door shelf when there is food in it.

First empty the materials inside in.



5.8 Moving door rack

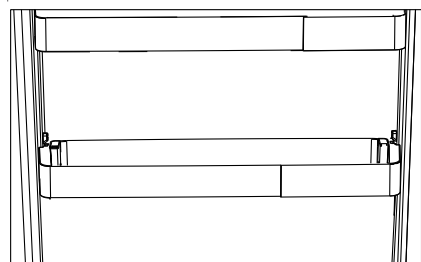
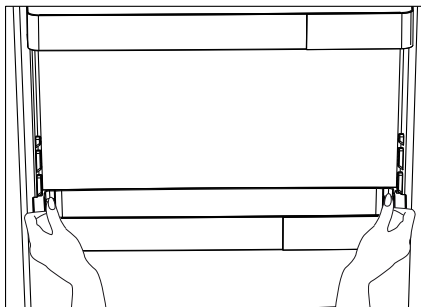
***optional**

Moving door rack can be fixed in 3 different positions.

In order to move the rack, push the buttons on the side evenly. Rack will be movable.

Move the rack up or down.

When the rack is in the position that you want, release the buttons. Rack will be fixed again in the position where you have released the buttons.



5.9 Glass shelves

You can remove the glass shelves to clean them. Be careful when removing the shelves since they are heavy.

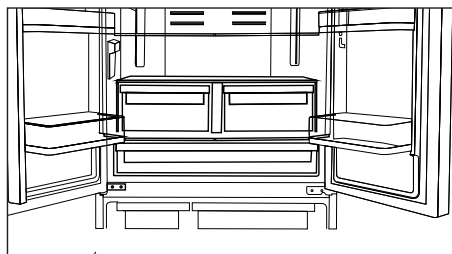
5.10 Chiller compartment

(in some models)

Chiller compartments allow you to prepare the food for freezing. You can also use these compartments to store your food at a temperature a few degrees below the fridge compartment.

You can increase the inner volume of your refrigerator by removing any of the chiller compartments:

1. Pull the compartment towards yourself until it stops.
2. Lift the compartment about 1 cm up and pull towards yourself to remove it from its seating.



5.11 Crisper

Crisper of the refrigerator is designed specially to keep the vegetables fresh without losing their humidity. For this purpose, cool air circulation is intensified around the crisper in general. Remove the door shelves that stand against the crisper before removing the crispers.

5.12 Humidity controlled crisper

(FreSHelf)

(This feature is optional)

Humidity rates of the vegetables and fruit are kept under control with the feature of humidity-controlled crisper and the food is ensured to stay fresh for longer.

We recommend you to place the leafy vegetables such as lettuce, spinach and the vegetables which are sensitive to humidity loss, in a horizontal manner as much as possible inside the crisper, not on their roots in a vertical position.

While the vegetables are being placed, specific gravity of the vegetables should be taken into consideration. Heavy and hard vegetables should be put at the bottom of the crisper and the lightweight and soft vegetables should be placed over.

Never leave the vegetables inside the crisper in their bags. If the vegetables are left inside their bags, this will cause them to decompose in a short period of time. In case contacting with other vegetables is not preferred for hygiene concerns, use a perforated paper and other similar packaging materials instead of a bag.

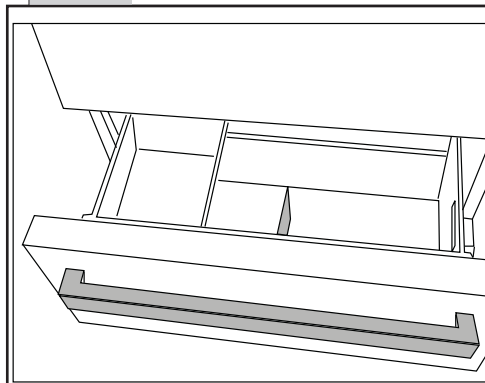
Do not place together the pear, apricot, peach, etc. and apple in particular which have a high level of generation of ethylene gas in the same crisper with the other vegetables and fruit. The ethylene gas which is emitted by these fruit may cause the other fruit to ripen faster and decompose in a shorter time.

5.13 Ice container

The ice container is used for ice collection poured ice machine. Do not put water in it to make ice as it may break. The ice container is not used for storing foods.



The ice machine may pour ices when the ice container is opened.

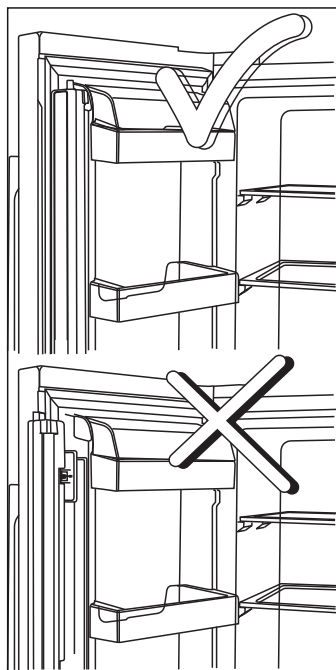
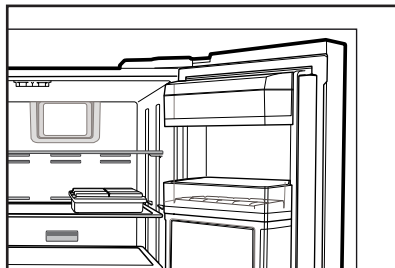


Operating the product

5.14 Butter & Cheese section

(in some models)

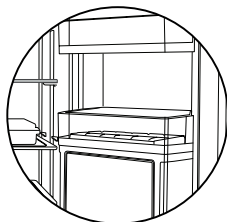
Store food such as butter, cheese and margarine in this section.



5.15 Egg holder

You can install the egg holder to the desired door or body shelf.

Never keep the egg holder in the freezer compartment.



5.16 Movable middle section

Movable middle section is intended to prevent the cold air inside the refrigerator from escaping outside. Sealing is provided when the gaskets on the door presses on the surface of the movable middle section while the fridge compartment doors are closed.



Movable middle section is closed when the left door of the fridge compartment is open. Movable middle section moves with the aid of the plastic part on the body while closing the door. Do not try to open by hand.



When the rotating storage container is open, do not close the door of the refrigerator.



Do not overload the rotating storage container by placing a lot of materials in it.

5.17 Blue light

(in some models)

Crispers of the refrigerator are illuminated with blue light. Food stored in the crispers continue their photosynthesis by means of the wavelength effect of blue light and thus, preserve their freshness and increase their vitamin content.

5.18 Ion

(in some models)

Air is ionized by means of the ionizer system in the fridge compartment air duct. Thanks to this system, air-borne bacteria and odouring molecules are eliminated.

Operating the product

5.19 Odour filter

(in some models)

Odour filter in the air duct of the fridge compartment prevents build-up of unpleasant odours in the refrigerator.

5.20 Using internal water dispenser

(in some models)

After connecting the refrigerator to a water source or replacing the water filter, flush the water system. Use a sturdy container to depress and hold the water dispenser lever for 5 seconds, then release it for 5 seconds. Repeat until water begins to flow. Once water begins to flow, continue depressing and releasing the dispenser paddle (5 seconds on, 5 seconds off) until a total of 4 gal. (15L) has been dispensed. This will flush air from the filter and water dispensing system, and prepare the water filter for use. Additional flushing may be required in some households. As air is cleared from the system, water may spurt out of the dispenser.

Allow 24 hours for the refrigerator to cool down and chill water. Dispense enough water every week to maintain a fresh supply.



After 5 minutes of continuous dispensing, the dispenser will stop dispensing water to avoid flooding. To continue dispensing, press the dispenser paddle again.

5.21 Dispensing Water

Hold a container under the dispenser spout while pressing the dispenser pad.

Release the dispenser pad to stop dispensing.



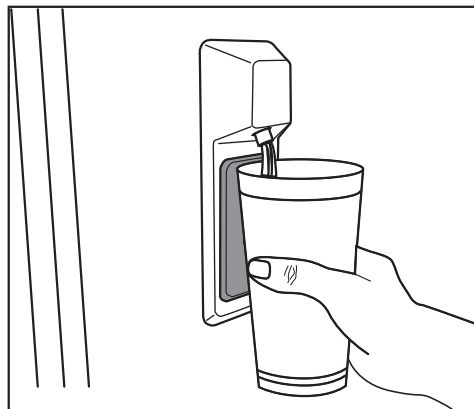
It is normal for the first few glasses of water taken from the dispenser to be warm.



If the water dispenser is not used for a long period of time, dispose of first few glasses of water to obtain fresh water.

During initial use, you will have to wait approximately 24 hours for the water to cool down.

Take out the glass a little while after you pull the trigger.



5.22 For using water dispenser



Before using your fridge first time and after replacing your water filter, water dispenser may drip drops of water. To prevent water dripping or leaking from dispenser, please bleed the air from the system by dispensing 5-6 gallons (about 20 liter) of water through the water dispenser before the first use and every time after you change the water filter. This will remove any air trapped in the system and stop the water dispenser from leaking. Checking coupler position and the straightness of water line at the back of the unit will be required if there's an obstruction in water flow.



If your water dispenser is leaking just a few drops of water after you have dispensed some water, this is normal.

Operating the product

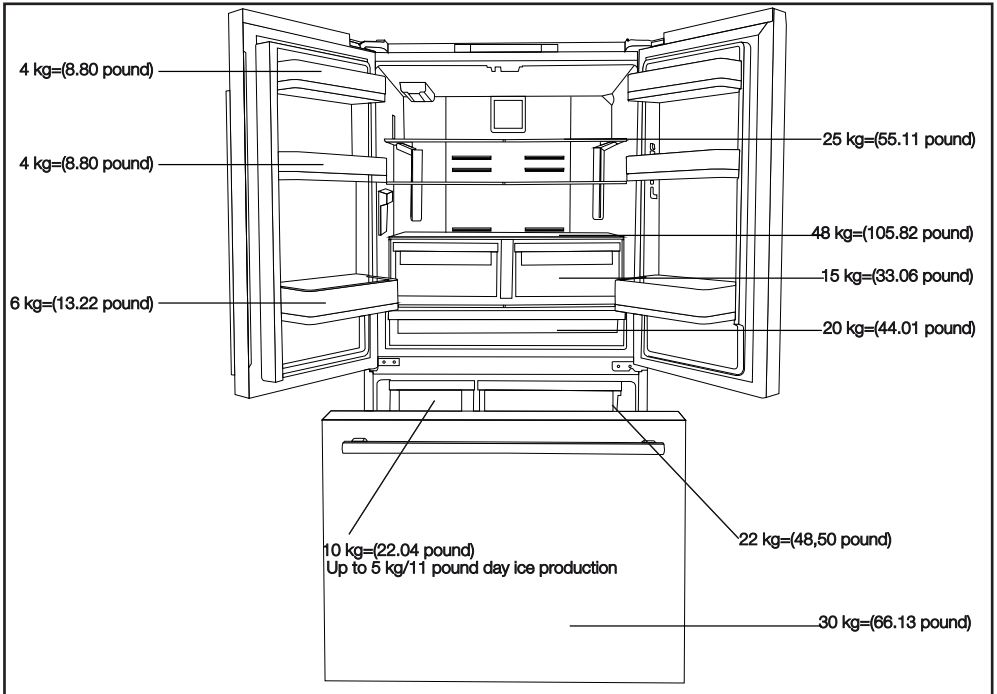
5.23 Refrigerator Shelf Weight Limitations

Freshfood compartment centilever shelves, those that only have rear supports, are tested for max 25kg (55pounds) per each part.

Crispers will hold up to 15kg (33pounds) per each one. Chiller zone will hold up to 20kg (44pounds).

These are dynamic loads for crispers and chiller zone.

Ice container bin holds up to 10kg (22pounds), it is for usage without ice. Upper freezer bin will hold up to 24kg (53 pounds) and drawer holds up to 30kg (66pounds). These are dynamic loads for ice bin, upper freezer bin and drawer.



6. Maintenance and cleaning

Service life of the product extends and frequently faced problems decrease if cleaned at regular intervals.



WARNING: Unplug the product before cleaning it.

- Never use gasoline, benzene or similar substances for cleaning purposes.
- Never use any sharp and abrasive tools, soap, household cleaners, detergent and wax polish for cleaning.
- Dissolve one teaspoon of carbonate in half litre of water. Soak a cloth with the solution and wrung it thoroughly. Wipe the interior of the refrigerator with this cloth and the dry thoroughly.
- Make sure that no water enters the lamp housing and other electrical items.
- If you will not use the refrigerator for a long period of time, unplug it, remove all food inside, clean it and leave the door ajar.
- Check regularly that the door gaskets are clean. If not, clean them.
- To remove door and body shelves, remove all of its contents.
- Remove the door shelves by pulling them up. After cleaning, slide them from top to bottom to install.
- Never use cleaning agents or water that contain chlorine to clean the outer surfaces and chromium coated parts of the product. Chlorine causes corrosion on such metal surfaces

6.1 Avoiding bad odours

Materials that may cause odour are not used in the production of our refrigerators. However, due to inappropriate food preserving conditions and not cleaning the inner surface of the refrigerator as required can bring forth the problem of odour. Pay attention to following to avoid this problem:

- Keeping the refrigerator clean is important. Food residuals, stains, etc. can cause odour. Therefore, clean the refrigerator with carbonate dissolved in water every 15 days. Never use detergents or soap.
- Keep the food in closed containers. Microorganisms spreading out from uncovered containers can cause unpleasant odours.
- Never keep the food that have expired best before dates and spoiled in the refrigerator.

6.2 Protecting the plastic surfaces

Do not put liquid oils or oil-cooked meals in your refrigerator in unsealed containers as they damage the plastic surfaces of the refrigerator. If oil is spilled or smeared onto the plastic surfaces, clean and rinse the relevant part of the surface at once with warm water.

7 Troubleshooting

Please review this list before calling the service. It will save your time and money. This list includes frequent complaints that are not arising from defective workmanship or material usage. Some of the features described here may not exist in your product.

The refrigerator does not operate.

- The plug is not inserted into the socket correctly. >>> Insert the plug into the socket securely.
- The fuse of the socket which your refrigerator is connected to or the main fuse have blown out. >>> Check the fuse.

Condensation on the side wall of the fridge compartment (MULTIZONE, COOL CONTROL and FLEXI ZONE).

- Ambient is very cold. >>> Do not install the refrigerator in places where the temperature falls below 10 °C.
- Door has been opened frequently. >>> Do not open and close the door of refrigerator frequently.
- Ambient is very humid. >>> Do not install your refrigerator into highly humid places.
- Food containing liquid is stored in open containers. >>> Store food with liquid content in closed containers.
- Door of the refrigerator is left ajar. >>> Do not leave the doors of your refrigerator open for a long time.
- Thermostat is set to a very cold level. >>> Set the thermostat to a suitable level.

Compressor is not running

- Protective thermic of the compressor will blow out during sudden power failures or plug-out plug-ins as the refrigerant pressure in the cooling system of the refrigerator has not been balanced yet. The refrigerator will start running approximately after 6 minutes. Please call the Authorised Service Agent if the refrigerator does not start at the end of this period.
- The fridge is in defrost cycle. >>> This is normal for a full-automatically defrosting refrigerator. Defrosting cycle occurs periodically.
- The refrigerator is not plugged into the socket. >>> Make sure that the plug is fit into the socket.
- Temperature settings are not made correctly. >>> Select the suitable temperature value.
- There is a power outage. >>> Refrigerator returns to normal operation when the power restores.

The operation noise increases when the refrigerator is running.

- The operating performance of the refrigerator may change due to the changes in the ambient temperature. It is normal and not a fault.

The refrigerator is running frequently or for a long time.

Troubleshooting

- New product may be wider than the previous one. Larger refrigerators operate for a longer period of time.
- The room temperature may be high. >>> It is normal that the product operates for longer periods in hot ambient.
- The refrigerator might be plugged in recently or might be loaded with food. >>> When the refrigerator is plugged in or loaded with food recently, it will take longer for it to attain the set temperature. This is normal.
- Large amounts of hot food might be put in the refrigerator recently. >>> Do not put hot food into the refrigerator.
- Doors might be opened frequently or left ajar for a long time. >>> The warm air that has entered into the refrigerator causes the refrigerator to run for longer periods. Do not open the doors frequently.
- Freezer or fridge compartment door might be left ajar. >>> Check if the doors are closed completely.
- The refrigerator is adjusted to a very low temperature. >>> Adjust the refrigerator temperature to a warmer degree and wait until the temperature is achieved.
- Door seal of the fridge or freezer may be soiled, worn out, broken or not properly seated. >>> Clean or replace the seal. Damaged/broken seal causes the refrigerator to run for a longer period of time in order to maintain the current temperature.

Freezer temperature is very low while the fridge temperature is sufficient.

- The freezer temperature is adjusted to a very low value. >>> Adjust the freezer temperature to a warmer degree and check.

Fridge temperature is very low while the freezer temperature is sufficient.

- The fridge temperature is adjusted to a very low value. >>> Adjust the fridge temperature to a warmer degree and check.

Food kept in the fridge compartment drawers is frozen.

- The fridge temperature is adjusted to a very high value. >>> Adjust the fridge temperature to a lower value and check.

Temperature in the fridge or freezer is very high.

- The fridge temperature is adjusted to a very high value. >>> Fridge compartment temperature setting has an effect on the temperature of the freezer. Change the temperatures of the fridge or freezer and wait until the relevant compartments attain a sufficient temperature.
- Doors are opened frequently or left ajar for a long time. >>> Do not open the doors frequently.
- Door is ajar. >>> Close the door completely.
- The refrigerator is plugged in or loaded with food recently. >>> This is normal. When the refrigerator is plugged in or loaded with food recently, it will take longer for it to attain the set temperature.
- Large amounts of hot food might be put in the refrigerator recently. >>> Do not put hot food into the refrigerator.

Vibrations or noise.

Troubleshooting

- The floor is not level or stable. >>> If the refrigerator rocks when moved slowly, balance it by adjusting its feet. Also make sure that the floor is strong enough to carry the refrigerator, and level.
- The items put onto the refrigerator may cause noise. >>> Remove the items on top of the refrigerator.

There are noises coming from the refrigerator like liquid flowing, spraying, etc.

- Liquid and gas flows occur in accordance with the operating principles of your refrigerator. >>>It is normal and not a fault.

Whistle comes from the refrigerator.

- Fans are used in order to cool the refrigerator. It is normal and not a fault.

Condensation on the inner walls of refrigerator.

- Hot and humid weather increases icing and condensation. It is normal and not a fault.
- Doors are opened frequently or left ajar for a long time. >>> Do not open the doors frequently. Close them if they are open.
- Door is ajar. >>> Close the door completely.

Humidity occurs on the outside of the refrigerator or between the doors.

- There might be humidity in the air; this is quite normal in humid weather. >>> When the humidity is less, condensation will disappear.
- Exterior condensation may form in the area between the two refrigerator doors when your product is not in rare use, which is natural. Condensation will disappear after frequent use.

Bad odour inside the refrigerator.

- No regular cleaning is performed. >>> Clean the inside of the refrigerator regularly with a sponge, lukewarm water or carbonate dissolved in water.
- Some containers or package materials may cause the smell. >>> Use a different container or different brand packaging material.
- Food is put into the refrigerator in uncovered containers. >>> Keep the food in closed containers. Microorganisms spreading out from uncovered containers can cause unpleasant odours.
- Remove the foods that have expired best before dates and spoiled from the refrigerator.

The door is not closing.

- Food packages are preventing the door from closing. >>> Replace the packages that are obstructing the door.
- The refrigerator is not completely even on the floor. >>> Adjust the feet to balance the refrigerator.
- The floor is not level or strong. >>> Also make sure that the floor is level and strong enough to carry the refrigerator.

Crispers are stuck.

- The food is touching the ceiling of the drawer. >>> Rearrange food in the drawer.



WARNING: If you cannot eliminate the problem although you follow the instructions in this section, consult your dealer or the Authorised Service Agent. Never try to repair a non-functional product yourself.

WARRANTY STATEMENT FOR THE BLOMBERG REFRIGERATORS

The warranties provided by Blomberg in these statements only apply to Blomberg refrigerators sold to the original purchaser or homeowner in the US and Canada. The warranty is not transferable. To obtain warranty service, please contact our nearest distributor as listed by state and province. You will need your refrigerator model number, serial number, retailer name and address, where purchased and purchase date / installation date. This warranty gives you specific legal rights, and you may also have other rights which vary from state to state. Also, please make sure you register your product for warranty at www.blombergappliances.com.

1 year (*) full warranty from date of first installation

Blomberg will repair or replace at no cost to the consumer any defective parts of the refrigerator if used under normal household conditions (warranty is void if the product is used commercially e.g., bed + breakfast, nursing home etc.). Service must also be performed by an authorized Blomberg service agency. (Cosmetic defects must be reported within 10 business days from installation). 1 year warranty on the accessories is for the parts only and does not include labor.

2 year*++ limited warranty from date of first installation (Parts only) Blomberg will repair or replace any parts at no cost to the consumer if material defects or workmanship have caused the damage or failure of these components. Again the refrigerator must have been used under normal household conditions and not commercially as stated above (Labor charges are the responsibility of the consumer).

2-5 year (*, **) limited warranty from date of first installation

(parts only 2-5 years) Blomberg will repair or replace any compressors, evaporators, condensers and dryers at no cost to the consumer if material defects or workmanship have caused the damage or failure of these components. **The refrigerator must have been used under normal household conditions and not commercially (Labor charges are the responsibility of the consumer)**

Disclaimers of warranties and exclusions:

Warranty does not cover service costs by an authorized service agent to correct installation, electrical problems or educational instruction on the use of the refrigerator. The warranty also does not cover defects or damage caused by an act of God (such as storms, floods, fires, mudslides, etc.), damage cause by use of the refrigerator for purposes other than those for which it was designed, misuse, abuse, accident, alteration, improper installation, maintenance, travel fees, service calls outside normal service hours, pick up and delivery, any food loss due to product failure, unauthorized service work or work.

This product is fully tested and went through official quality assurance inspections before leaving the original manufacturing site. Warranty terms for this Blomberg household appliance is not valid if the product is altered, tampered, modified, additional parts assembled, fixed and re-packed by an authorized distributor, servicer, a third party retailer, reseller or by any other unauthorized person(s).

TO THE EXTENT PERMITTED BY LAW, THIS WARRANTY IS IN LIEU OF ALL OTHER EXPRESSED AND IMPLIED WARRANTIES, INCLUDING THE IMPLIED WARRANTIES OF MERCHANTABILITY AND FITNESS FOR A PARTICULAR PURPOSE. BLOMBERG UNDERTAKES NO RESPONSIBILITY FOR THE QUALITY OF THIS PRODUCT EXCEPT AS OTHERWISE PROVIDED IN THIS WARRANTY STATEMENT. BLOMBERG ASSUMES NO RESPONSIBILITY THAT THE PRODUCT WILL BE FIT FOR ANY PARTICULAR PURPOSE FOR WHICH YOU MAY BE BUYING THIS PRODUCT, EXCEPT AS OTHERWISE PROVIDED IN THIS WARRANTY STATEMENT.

Blomberg does not assume any responsibility for incidental or consequential damages. Such damages include, but are not limited to, loss of profits, loss of savings or revenue, loss of use of the refrigerator or any associated equipment, cost of capital, cost of any substitute equipment, facilities or services, downtime, the claims of third parties, and injury to property. Some states do not allow the exclusion or limitation of incidental or consequential damages, so the above limitations or exclusion may not apply to you.

(*) Installation date shall refer to either purchase date or 5 business days after delivery of the product to the home, whichever is later.

() Parts replaced will assume the identity of the original parts + their original warranty.**

No Other Warranties. This Warranty Statement is the complete and exclusive warranty from the manufacturer. No employee of Blomberg or any other party is authorized to make any warranty statements in addition to those made in this Warranty Statement.

Please keep this warranty card, user manual and your sales slip for future reference.

HOW TO GET SERVICE

Please contact the Distributor for your State or Province as listed on the Distributor Contact List, or call our Toll Free Number at 1 800 459 9848 for direction to an Authorized Blomberg Service Agent.

Veillez lire attentivement ce manuel avant d'utiliser l'appareil !

Chère cliente, cher client,





Nous aimerions que vous soyez entièrement satisfait de notre appareil, fabriqué dans des infrastructures modernes et ayant fait l'objet d'un contrôle de qualité minutieux.

Par conséquent, nous vous recommandons de lire entièrement ce manuel d'utilisation avant d'utiliser l'appareil. Si vous vendez ou donnez l'appareil à un tiers, n'oubliez pas de lui remettre également le manuel.

Les instructions contenues dans ce manuel vous permettront d'utiliser l'appareil avec aisance et en toute sécurité.

- Lisez attentivement ce manuel d'utilisation avant d'installer et d'utiliser le réfrigérateur.
- Respectez toujours les instructions de sécurité en vigueur.
- Ayez le manuel d'utilisation à portée de main pour référence ultérieure.
- Lisez tous les autres documents fournis avec l'appareil.

Veillez noter que ce manuel d'utilisation peut se rapporter à plusieurs modèles de cet appareil. Le manuel indique clairement toutes les différences entre les modèles.

	Informations importantes et conseils utiles.
	Risque de mort et/ou de dommages matériels.
	Risque de choc électrique.
	L'emballage de l'appareil a été fabriqué à partir de matériaux recyclables, conformément à la législation nationale en matière d'environnement.

1 Instructions importantes en matière de sécurité et d'environnement 3

- 1.1 Sécurité générale.3
- 1.1.2 Avertissement HCA4
- 1.1.3 Pour les appareils dotés d'un distributeur d'eau.4
- 1.2 Utilisation prévue5
- 1.3 Sécurité des enfants5
- 1.4 Conformité avec la directive DEEE et mise au rebut des déchets :5
- 1.5 Conformité avec la directive LdSD :5
- 1.6 Informations relatives à l'emballage5

2 Votre réfrigérateur 7

3 Installation 8

- 3.1 Emplacement d'installation approprié8
- 3.2 Installation des cales en plastique.8
- 3.3 Branchement électrique8
- 3.4 Réglage des pieds9
- 3.5 Lampe d'éclairage9
- 3.6 Alarme d'ouverture de porte9
- 3.7 Arrivée d'eau9
- 3.7.1 Avant l'installation10
- 3.8 Raccordement du tuyau d'arrivée d'eau au réfrigérateur10
- 3.9 Raccordement de la conduite d'eau à l'alimentation en eau10
- 3.10 Filtre à eau.10
- 3.10.1 Fixation du filtre interne dans le réfrigérateur11
- 3.11 Avant de commencer à utiliser le distributeur d'eau/de glace.12
- 3.12 Transport de l'appareil13

4 Préparation 14

- 4.1 Mesures d'économie d'énergie.14
- 4.2 Recommandations relatives au compartiment pour aliments frais14
- 4.3 Première utilisation15

5 Utilisation de l'appareil 19

- 5.1 Panneau de commande19
- 5.2 Double système de refroidissement20
- 5.3 Congélation des aliments frais20
- 5.4 Recommandations relatives à la conservation des aliments congelés21
- 5.5 Disposition des aliments.21
- 5.6 Informations relatives à la congélation.21
- 5.7 Retrait des balconnets23
- 5.8 Clayettes amovibles23
- 5.9 Balconnets en verre23
- 5.10 Compartiment refroidisseur23
- 5.11 Bac à légumes.24
- 5.12 Bac à légumes à humidité contrôlée24 (FreSHelf)24
- 5.13 Récipient à glace24
- 5.14 Casier à beurre et à fromage25
- 5.15 Œufrier25
- 5.16 Section centrale mobile25
- 5.17 Lumière bleue25
- 5.18 Ionisation25
- 5.19 Filtre d'odeurs26
- 5.20 Utilisation du distributeur d'eau interne26
- 5.21 Distribution d'eau26
- 5.22 Utilisation du distributeur d'eau.26
- 5.23 Limites de poids des clayettes du réfrigérateur27

6 Entretien et nettoyage 28

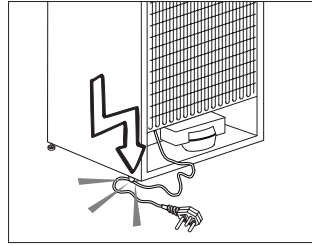
- 6.1 Prévention des mauvaises odeurs.28
- 6.2 Protection des surfaces en plastique28

7 Dépannage 29

1 Instructions importantes en matière de sécurité et

d'environnement

Cette section comporte des instructions en matière de sécurité, qui vous permettront de vous protéger des blessures personnelles ou des dommages à la propriété. Si ces instructions ne sont pas observées, cela peut annuler la garantie.



1.1 Sécurité générale

- Cet appareil peut être utilisé par des enfants âgés de 8 ans ou plus, par des personnes ne jouissant pas de toutes leurs facultés physiques, sensorielles et mentales ou qui manquent d'expérience et de connaissance, à condition qu'elles soient supervisées ou formées à l'utilisation sécurisée de ce produit et aux risques encourus. Les enfants ne doivent pas jouer avec cet appareil. Le nettoyage et l'entretien ne doivent pas être exécutés par des enfants, à moins qu'ils ne soient supervisés par quelqu'un.
- Débranchez le produit si une panne survient alors qu'il est en cours d'utilisation.
- Ne pas utiliser cet appareil lorsqu'il est en panne, à moins qu'il ne soit réparé par le Prestataire de Services Agréé. Cette précaution permet d'éviter tout risque de choc électrique!
- Connectez cet appareil à une prise avec mise à la terre, protégée par un fusible conforme aux valeurs figurant sur la plaque signalétique. Faites installer la mise à la terre par un électricien qualifié. Notre entreprise ne sera pas tenue responsable de tout dommage survenu si vous utilisez cet appareil sans le raccorder à une mise à la terre, conformément aux réglementations locales.
- Débranchez l'appareil lorsque vous ne l'utilisez pas.
- N'aspergez pas l'appareil et n'y versez pas de l'eau lorsque vous le lavez! Cette précaution permet d'éviter tout risque de choc électrique!
- Ne touchez jamais la prise avec des mains mouillées! Ne le débranchez jamais en tirant le câble, mais plutôt en tenant la prise.
- Il est recommandé de nettoyer régulièrement le bout de la fiche à l'aide d'un chiffon sec.
- Évitez de brancher le Congélateur / réfrigérateur lorsque la prise de courant électrique a lâché.
- Ne connectez jamais votre Congélateur / réfrigérateur à des systèmes d'économies d'énergie. Ces systèmes sont nocifs pour l'appareil.
- Débranchez l'appareil lors des activités d'installation, d'entretien, de nettoyage et de réparation.
- Confiez toujours les activités d'installation et de réparation au **Prestataire de Services Agréé**. Le fabricant ne sera pas tenu responsable des dommages survenus suite à des activités effectuées par des personnes non-autorisées.
- Ne mangez pas de cônes de crème glacée ou des glaçons immédiatement après les avoir sortis du compartiment de congélation. Cela pourrait provoquer des engelures dans votre bouche!
- Ne touchez pas des aliments congelés avec vos mains! Ils peuvent coller à vos mains!
- Ne posez pas de boissons en bouteilles ou en cannettes dans le congélateur. Elles risquent d'exploser!
- N'utilisez jamais de vapeur ni de matériel de nettoyage à vapeur pour nettoyer ou décongeler le Congélateur / réfrigérateur. La vapeur entraînera un court-circuit ou un choc électrique étant donné qu'elle entrera en contact avec les parties électriques du Congélateur / réfrigérateur!
- N'utilisez pas d'outils mécaniques ou des méthodes autres que celles qui sont recommandées par le fabricant, pour accélérer le processus de décongélation.
- N'utilisez jamais les pièces de votre Congélateur / réfrigérateur telles que la porte et le tiroir, comme un support ou une marche. Une telle utilisation du produit peut l'emmener à balancer ou ses parties à s'endommager.

Consignes importantes relatives à la sécurité et à l'environnement

- N'endommagez pas le circuit de refroidissement où circule le liquide réfrigérant avec des outils de forage ou coupants. Le liquide réfrigérant qui pourrait s'échapper si les canalisations de gaz de l'évaporateur, les rallonges de tuyau ou les revêtements de surface étaient percés, peut irriter la peau et provoquer des blessures aux yeux.
- Ne couvrez ou n'obstruez pas les orifices de ventilation du Congélateur / réfrigérateur.
- Placez les boissons alcoolisées verticalement, dans des récipients convenablement fermés.
- N'utilisez pas de pulvérisateur à gaz près de l'appareil car cela pourrait causer un incendie ou une explosion!
- Les articles inflammables ou les produits contenant des gaz inflammables (par ex. : aérosols) ainsi que les matériaux explosifs ne doivent jamais être conservés dans l'appareil.
- Ne posez pas de récipients remplis d'eau au dessus de l'appareil. L'eau qui se déverse sur un composant électrique peut entraîner des chocs électriques ou un risque d'incendie.
- Ne conservez pas les produits (vaccins, médicaments sensibles à la chaleur, matériaux scientifiques, etc.) qui nécessitent un contrôle de température précis, dans le Congélateur / réfrigérateur.
- Si l'appareil doit rester non utilisé pendant une longue période, débranchez-le et débarrassez-le des aliments.
- Si le Congélateur / réfrigérateur est éclairé par une lumière bleue, évitez de regarder cette lumière bleue à travers des appareils optiques.
- L'exposition du produit à la pluie, la neige, au soleil ou au vent présente des risques concernant la sécurité électrique.
- Dans les produits équipés d'un contrôle mécanique (thermostat), patientez 5 minutes au minimum avant de rebrancher l'appareil après l'avoir débranché.
- Ne surchargez pas l'appareil. Si vous le faites, il peut tomber lorsque vous ouvrez sa porte et occasionner une blessure ou un dommage. Des problèmes similaires peuvent survenir si vous posez des objets sur l'appareil.
- Si la porte du Congélateur / réfrigérateur est équipée d'une poignée, ne tenez pas cette

poignée lorsque vous déplacez l'appareil. Dans le cas contraire cette poignée peut se desserrer.

- Faites attention à ce que votre main ou toute autre partie de votre corps ne se retrouve pas coincée par les parties amovibles de l'appareil.

1.1.2 Avertissement HCA

Si le système de refroidissement de votre appareil contient R600a :

Ce gaz est inflammable. Par conséquent, veuillez prendre garde à ne pas endommager le système de refroidissement et les tuyauteries lors de son utilisation ou de son transport. En cas de dommages, éloignez votre produit de toute source potentielle de flammes susceptible de provoquer l'incendie de l'appareil. De même, placez le produit dans une pièce aérée.

Ne tenez pas compte de cet avertissement si le système de refroidissement de votre appareil contient R134a.

	Si l'appareil est plutôt équipé d'un système de refroidissement contenant du gaz R134a, ignorez cet avertissement.
	Vous pouvez savoir quel type de gaz été utilisé lors la fabrication de votre appareil en consultant la plaque signalétique qui se trouve dans la partie intérieure gauche de l'appareil.
	AVERTISSEMENT : Ne jamais jeter le produit au feu.

1.1.3 Pour les appareils dotés d'un distributeur d'eau

- La pression de l'eau froide à l'entrée ne doit pas excéder 90 psi (6.2 bar). Si votre pression d'eau dépasse 80 psi (5,5 bar), utilisez une soupape de limitation de pression sur votre réseau de conduite. Si vous ne savez pas comment vérifiez la pression de l'eau, demandez l'assistance d'un plombier professionnel.
- S'il existe un risque d'effet coup de bélier sur votre installation, utilisez systématiquement un équipement de protection contre l'effet coup de bélier sur celle-ci. Consultez des plombiers

Consignes importantes relatives à la sécurité et à l'environnement

professionnels si vous n'êtes pas sûr de la présence de cet effet sur votre installation.

- Ne l'installez pas sur l'entrée d'eau chaude. Prenez des précautions contre le risque de congélation des tuyaux. L'intervalle de fonctionnement de la température des eaux doit être de 33 F (0,6°C) au moins et de 100 F (38 C) au plus.
- Utilisez uniquement de l'eau potable.

1.2 Utilisation prévue

- Cet appareil est destiné à un usage ménager. Il n'est pas indiqué pour une utilisation à des fins commerciales et ne doit pas être utilisé à des fins autres que celles prévues.
- Il ne doit être utilisé que pour conserver des aliments.
- Le fabricant décline toute responsabilité pour les dégâts causés par une utilisation ou un transport incorrect de l'appareil.
- Votre appareil a une durée de vie de 10 ans. Pendant cette période, les pièces de rechange d'origine seront disponibles afin que l'appareil fonctionne comme il se doit.

1.3 Sécurité des enfants

- Les matériaux d'emballage sont dangereux pour les enfants. Conservez ces matériaux d'emballage en lieu sûr, hors de portée des enfants.
- Les produits électriques sont dangereux pour les enfants. Éloignez les enfants de l'appareil lorsqu'il est allumé.
- Si la porte de l'appareil est équipée d'un verrou, gardez les clés de ce verrou hors de portée des enfants.



DANGER : Risque d'enfermement pour les enfants. Avant de jeter votre ancien réfrigérateur ou congélateur :

- Retirez les portes.
- Laissez les étagères en place de manière à ce que les enfants ne puissent pas pénétrer facilement à l'intérieur.

1.4 Conformité avec la directive DEEE et mise au rebut des déchets :



Ce produit est conforme à la directive DEEE (2012/19/UE) de l'Union européenne). Ce produit porte un symbole de classification pour la mise au rebut des équipements électriques et électroniques (DEEE). Le présent produit a été fabriqué avec des pièces et du matériel de qualité

supérieure susceptibles d'être réutilisés et adaptés au recyclage. Par conséquent, nous vous conseillons de ne pas le mettre au rebut avec les ordures ménagères et d'autres déchets à la fin de sa durée de vie. Au contraire, rendez-vous dans un point de collecte pour le recyclage de tout matériel électrique et électronique. Veuillez vous rapprocher des autorités de votre localité pour plus d'informations concernant le point de collecte le plus proche.

1.5 Conformité avec la directive LdSD :

L'appareil que vous avez acheté est conforme à la directive LdSD (2011/65/UE) de l'Union européenne. Il ne comporte pas les matériels dangereux et interdits mentionnés dans la directive.

1.6 Informations relatives à l'emballage

- Les matériaux d'emballage de cet appareil sont fabriqués à partir de matériaux recyclables, conformément à nos Réglementations Nationales en Environnement. Ne mélangez pas les matériaux d'emballage avec les déchets domestiques ou d'autres déchets. Amenez-les aux points de collecte des matériaux d'emballage, désignés par les autorités locales.



DANGER : Risque d'incendie ou d'explosion. Réfrigérant inflammable utilisé. N'utilisez pas d'objets mécaniques pour dégivrer le réfrigérateur. Ne percez pas les tuyaux du réfrigérateur»

Consignes importantes relatives à la sécurité et à l'environnement



DANGER : Risque d'incendie ou d'explosion. Réfrigérant inflammable utilisé. Ne doit être réparé que par le personnel de service qualifié. Pas de perforation Tuyau du réfrigérant».



ATTENTION : Risque d'incendie ou d'explosion. Réfrigérant inflammable utilisé. Reportez-vous au manuel de réparation / guide de l'utilisateur avant toute tentative de dépannage de cet appareil. Toutes les précautions de sécurité doivent être respectées.

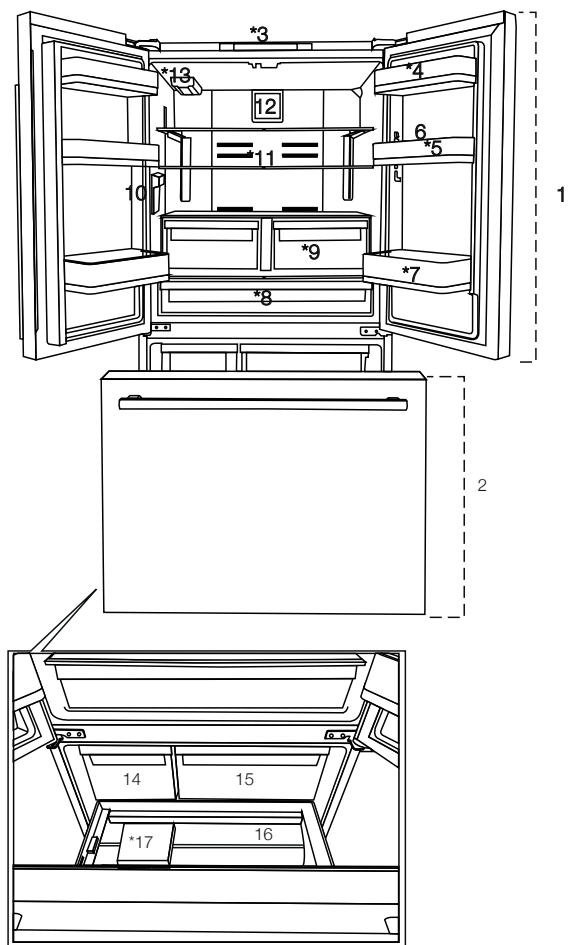


ATTENTION : Risque d'incendie ou d'explosion. La mise au rebut doit se faire conformément aux réglementations fédérales ou locales. Réfrigérant inflammable utilisé.



ATTENTION : Risque d'incendie ou d'explosion causée par la perforation du tuyau du réfrigérant ; respectez attentivement les consignes de manutention. Réfrigérant inflammable utilisé».

2 Votre réfrigérateur



- 1- Compartiment réfrigérateur
- 2- Compartiment congélateur
- 3- Panneau d'affichage/de commande
- 4- Casier à beurre et à fromage
- 5- Balconnet du compartiment réfrigérateur
- 6- Œufrier
- 7- Clayette range-bouteilles
- 8- Compartiment refroidisseur
- 9- Bacs à légumes
- 10- Distributeur d'eau interne





- 11- Balconnet en verre réglable
- 12- Ventilateur
- 13- Filtre à eau
- 14- Récipient à glace
- 15- Compartiment de stockage de denrées alimentaires congelées (supérieur)
- 16- Compartiment de stockage de denrées alimentaires congelées (supérieur)
- 17- Séparateur



Les chiffres figurant dans ce manuel ne sont donnés qu'à titre indicatif et peuvent ne pas correspondre exactement au produit. Si des pièces présentées ne sont pas incluses dans le produit que vous avez acheté, elles sont valables pour d'autres modèles.

3 Installation

Contactez l'agent de service agréé pour l'installation de cet appareil. Pour que ce dernier soit prêt à l'emploi, assurez-vous que l'installation électrique est correcte avant de contacter l'agent de service agréé. Si tel n'est pas le cas, appelez un électricien qualifié afin qu'il effectue les arrangements nécessaires.

	La préparation du site et de l'installation électrique sur le lieu de l'installation relèvent de la responsabilité du client.
	Ne branchez pas l'appareil pendant l'installation. Au cas contraire, cela présente un risque de mort ou de blessures graves !
	AVERTISSEMENT : L'installation et les branchements électriques de l'appareil doivent être effectués par un agent de service agréé. Le fabricant ne sera pas tenu responsable des dommages survenus suite à des activités effectuées par des personnes non autorisées.
	AVERTISSEMENT : Avant l'installation, inspectez visuellement l'appareil pour vous assurer qu'il ne présente aucun défaut. Si tel est le cas, ne le faites pas installer. Les produits endommagés constituent un risque pour votre sécurité.
	Assurez-vous que le cordon d'alimentation n'est pas pincé ni écrasé lorsque vous remettez l'appareil en place après l'installation ou le nettoyage.

3.1 Emplacement d'installation approprié

	AVERTISSEMENT : Si la porte de la pièce dans laquelle l'appareil sera installé est trop petite pour son passage, ôtez les portes de l'appareil, tournez-le sur le côté et faites-le passer.
--	--

- Sélectionnez un emplacement à partir duquel vous utiliserez l'appareil aisément.
- Installez le produit à au moins 30 cm des sources de chaleur telles que les plaques de cuisson, les fours, les radiateurs de chauffage et les cuisinières et à au moins 5 cm des fours électriques. N'exposez pas l'appareil à la lumière directe du soleil et ne le placez pas dans des endroits humides après installation.

- Une ventilation appropriée doit être prévue autour de votre appareil afin de bénéficier d'un fonctionnement efficace. Si vous avez l'intention de poser l'appareil dans un renforcement, assurez-vous de laisser au moins 5 cm de distance entre le plafond et les parois latérales.
- Ne posez pas l'appareil sur des matériaux tels que des tapis ou des moquettes.
- Placez le produit sur une surface plane afin d'éviter les secousses.
- N'installez pas l'appareil dans des endroits où la température est inférieure à 10 °C/50 °F.

	Si deux réfrigérateurs sont installés côte à côte, ils doivent être séparés d'au moins 4 cm de distance.
---	--

3.2 Installation des cales en plastique

Les cales en plastique permettent de créer une distance afin que l'air circule entre l'appareil et le mur arrière. Insérez les 2 cales en plastique sur le couvercle de la ventilation arrière, comme illustré à la figure suivante. Pour ce faire, retirez les vis de l'appareil et utilisez celles qui ont été fournies dans la même pochette avec les cales.

3.3 Branchement électrique

Connectez cet appareil à une prise mise à la terre, protégée par un fusible conforme aux valeurs figurant sur la plaque signalétique. Notre entreprise ne sera pas tenue pour responsable de tout dommage survenu si vous utilisez cet appareil sans le connecter à une mise à la terre, conformément aux réglementations locales.

- Assurez-vous que les branchements électriques sont conformes aux réglementations nationales.
- Assurez-vous que la prise du cordon d'alimentation est facilement accessible après l'installation.
- Les informations relatives à la tension et au fusible ou au disjoncteur de protection autorisé figurent sur la plaque signalétique fixée à l'intérieur de l'appareil. Si la valeur actuelle du fusible ou du disjoncteur de protection disponible à la maison n'est pas conforme à celle indiquée sur la plaque de signalétique, faites installer un fusible approprié par un électricien qualifié.

Installation

- La tension spécifiée doit être égale à votre tension de secteur.
- N'effectuez pas de connexion à l'aide de rallonges ou de multiprises.



AVERTISSEMENT : Faites remplacer le cordon d'alimentation endommagé par un agent de service agréé.



AVERTISSEMENT : N'utilisez pas cet appareil lorsqu'il est en panne, à moins qu'il ne soit réparé par l'agent de service agréé ! Cette précaution permet d'éviter tout risque de choc électrique !

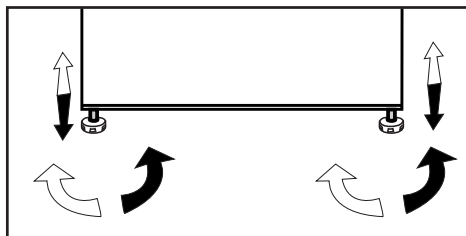
3.4 Réglage des pieds

Si après l'installation l'appareil est en déséquilibre, réglez les pieds. Si vous vous faites aider par une personne pour soulever légèrement le réfrigérateur, l'opération s'en trouvera simplifiée.



AVERTISSEMENT : Débranchez au préalable l'appareil. Ne branchez pas l'appareil pendant que vous réglez les pieds. Cette précaution permet d'éviter tout risque de choc électrique !

Tournez le pied avant afin d'équilibrer l'appareil. Le côté où se trouve le pied s'abaisse lorsque vous le tournez dans le sens de la flèche, et s'élève lorsque vous le tournez dans le sens opposé.



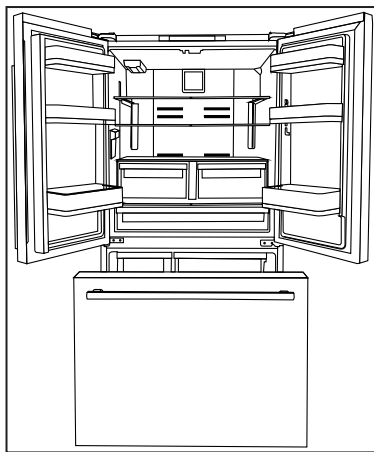
3.5 Lampe d'éclairage

N'essayez pas de la réparer vous-même, contactez un agent de service agréé si les lampes d'éclairage à LED ne s'allument pas ou sont hors service.

L'ampoule de cet appareil n'est pas appropriée pour l'éclairage des maisons. Elle a été conçue pour aider l'utilisateur à placer les aliments dans le réfrigérateur/congélateur d'une manière sûre et confortable.

3.6 Alarme d'ouverture de porte (Cette fonction peut varier suivant le type de porte installé sur l'appareil et peut ne pas exister sur certains modèles.)

Un signal sonore retentit lorsque la porte du réfrigérateur reste ouverte pendant 1 minute. Le signal sonore s'arrête lorsque vous fermez la porte ou lorsque vous appuyez sur n'importe quel bouton d'affichage (le cas échéant).



3.7 Arrivée d'eau

Selon le modèle du réfrigérateur, vous pouvez le raccorder à une bonbonne ou aux conduites d'eau. Vous devez d'abord connecter le tuyau d'arrivée d'eau au réfrigérateur.



Si vous utilisez une bonbonne, utilisez également une pompe distincte.

Installation



AVERTISSEMENT : Assurez-vous que le réfrigérateur et la pompe, le cas échéant, sont débranchés pendant les branchements.



Il est possible que les pièces suivantes ne soient pas fournies avec votre appareil puisqu'elles ne sont pas nécessaires lorsque vous utilisez une bonbonne.

3. Serrez manuellement le raccord union (C) afin qu'il soit correctement fixé à la vanne d'arrivée d'eau.



En principe, vous ne devez pas serrer le raccord union à l'aide d'un outil. Cependant, vous pouvez utiliser une clé ou des pinces pour le serrer en cas de fuite.

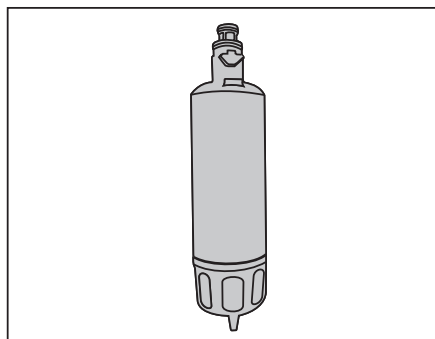
Vérifiez que les pièces suivantes ont été livrées en même temps que l'appareil :

Filtre à eau externe. (Si vous avez une bonbonne, il n'est pas nécessaire d'utiliser un filtre à eau.)

3.7.1 Avant l'installation

Assurez-vous prendre toutes les précautions nécessaires pour garantir une bonne installation avant d'utiliser l'appareil, notamment :

Votre appareil est fourni avec un filtre à eau interne prévu pour être utilisé à l'intérieur du réfrigérateur. Le numéro de référence du filtre est 4918450200. Utilisez ce numéro lors de la commande des filtres de rechange.



3.8 Raccordement du tuyau d'arrivée d'eau au réfrigérateur

1. Faites glisser le raccord union (B) dans le tuyau d'arrivée d'eau (A).
2. Poussez fermement le tuyau d'arrivée d'eau vers le bas afin qu'il glisse à l'intérieur de la vanne d'arrivée d'eau (C).

3.9 Raccordement de la conduite d'eau à l'alimentation en eau

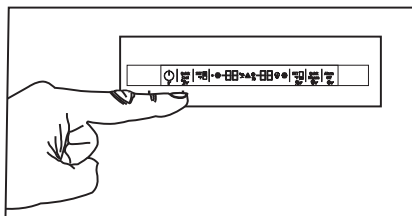
Connecter la conduite d'eau au robinet d'alimentation en eau. Si ce robinet est absent de votre appareil ou si vous n'en êtes pas sûr, contactez un plombier qualifié.

3.10 Filtre à eau

(pour certains modèles)

Votre réfrigérateur peut être équipé d'un filtre externe ou interne, selon le modèle. Pour installer le filtre à eau, suivez les instructions ci-dessous, renvoyant aux schémas fournis :

3.10.1 Fixation du filtre interne dans le réfrigérateur



1. Tirez lentement le couvercle du filtre à eau.
2. Ôtez le couvercle de dérivation du filtre à eau en le tournant vers le bas.

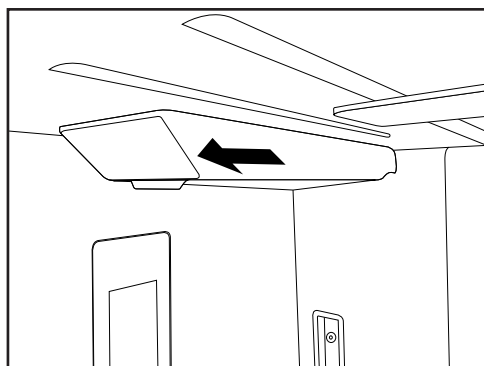


AVERTISSEMENT : Assurez-vous que le mode Ice Off est activé avant de retirer le couvercle de dérivation.



Il est tout à fait normal que quelques gouttes d'eau tombent après le retrait du couvercle.

3. Installez le couvercle du filtre à eau dans le mécanisme et poussez-le vers l'avant afin de le fixer.
4. Appuyez à nouveau sur la touche « **Ice Off** » situé sur le panneau d'affichage afin de quitter ce mode.



AVERTISSEMENT : Assurez-vous que le mode Ice Off est activé avant de retirer le couvercle de dérivation.

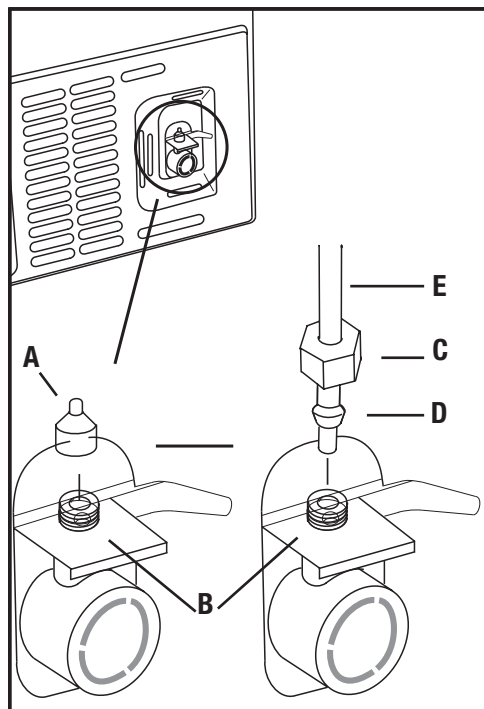


Il est tout à fait normal que quelques gouttes d'eau tombent après le retrait du couvercle.

3. Installez le couvercle du filtre à eau dans le mécanisme et poussez-le vers l'avant afin de le fixer.
4. Appuyez à nouveau sur la touche « **Ice Off** » situé sur le panneau d'affichage afin de quitter ce mode.



Remplacez le filtre à eau tous les 6 mois. Lors du remplacement du filtre à eau, ou si vous ne l'utilisez plus, retirez-le, comme illustré à la figure et installez le couvercle de dérivation. Assurez-vous que le mode « Ice Off » est activé avant de retirer le filtre à eau.





AVERTISSEMENT : Le filtre à eau permet de nettoyer les corps étrangers présents dans l'eau. En conséquence, il ne débarrasse pas celle-ci des micro-organismes.



AVERTISSEMENT : Appuyez sur la touche **Ice Off** avant de remplacer le filtre à eau ou d'installer le couvercle de dérivation.



AVERTISSEMENT : Débranchez l'appareil lors du remplacement du filtre.

3.11 Avant de commencer à utiliser le distributeur d'eau/de glace

- Si la pression de l'eau est inférieure à 1 bar ou si vous comptez utiliser une dame-jeanne, alors vous devez également utiliser une autre.
- Le réseau d'alimentation en eau du réfrigérateur doit être raccordé à la conduite d'eau froide. **Il ne doit pas être raccordé à une conduite d'eau chaude.**
- Vous ne pouvez pas obtenir d'eau lors du démarrage initial du réfrigérateur. Car le système comporte de l'air. Pour évacuer l'air du système, appuyez sur le dispositif de verrouillage du distributeur pendant 1 à 2 minutes jusqu'à ce que l'eau s'écoule du distributeur. Le débit d'eau peut être irrégulier au départ. Une fois l'air évacué du système, le débit d'eau redevient normal.
- Lors de la première utilisation, patientez pendant environ 12 heures afin que l'eau refroidisse.
- Cela prend environ 1 à 2 jours pour que le système produise la quantité de glace requise.
- La pression de l'eau doit être comprise entre 1 et 8 bar pour un bon fonctionnement du distributeur de glace/d'eau. Pour ce faire, vérifiez que 1 verre d'eau (200 cm³) peut être rempli en 10 secondes.
- Ne consommez pas les 10 premiers verres d'eau.
- Lorsque vous utilisez le filtre pour la première fois, les premiers verres d'eau peuvent être turbides. Ne consommez donc pas ces premiers verres d'eau.
- Si vous n'utilisez pas le distributeur d'eau pendant une période prolongée, les 1-2 premiers verres d'eau peuvent être chauds.
- En cas de panne d'électricité ou de défaillance temporaire pendant le fonctionnement du réfrigérateur, la glace peut fondre légèrement et ensuite se congeler à nouveau. Dans ce cas, les glaçons peuvent se coller les uns aux autres. Si cette panne ou défaillance se prolonge, la glace peut fondre, entraînant ainsi une fuite d'eau. Si vous rencontrez un tel problème, videz et nettoyez le récipient à glace.
- Les glaçons peuvent se coller les uns aux autres si vous les laissez dans le récipient pendant une période prolongée.
- L'installation du réseau d'alimentation en eau du réfrigérateur doit être effectuée par un agent de service agréé.
- Utilisez de l'eau potable lorsque vous souhaitez raccorder les conduites d'eau à l'appareil.
- Le réseau d'alimentation en eau de cet appareil est conçu pour fonctionner avec de l'eau uniquement. N'utilisez pas de boissons telles que les boissons rafraîchissantes, dans le réseau d'alimentation en eau.
- Il est recommandé de déconnecter le raccordement de l'arrivée d'eau si vous n'utilisez pas le réfrigérateur pendant une période prolongée, en raison de vacances ou pour toute autre raison similaire.
- N'essayez pas de démonter les pièces du récipient à glace.

Installation

- N'essayez pas non plus de nettoyer le récipient à glace sans le retirer du réfrigérateur.
- Lorsque vous retirez de l'eau du distributeur d'eau, retirez le verre situé sous l'ouverture 1 seconde après avoir relâché la gâchette. Ainsi, l'eau contenue dans le système ne s'écoulera pas dans le plateau d'égouttage.

3.12 Transport de l'appareil

1. Débranchez l'appareil avant de le transporter.
2. Retirez les arrivées d'eau.
3. Fixez les balconnets, les accessoires, etc. dans le réfrigérateur à l'aide d'un ruban adhésif avant de l'emballer à nouveau.



L'emballage doit être fixé avec un ruban adhésif épais ou des cordes solides, et les normes de transport imprimées sur l'emballage doivent être respectées.



Conservez l'emballage d'origine et les matériaux en mousse pour d'éventuels transports.



AVERTISSEMENT : Les matériaux d'emballage sont dangereux pour les enfants. Conservez ces matériaux d'emballage en lieu sûr, hors de la portée des enfants.

4 Préparation

4.1 Mesures d'économie d'énergie



Le branchement de l'appareil aux systèmes d'économie d'énergie électrique est risqué dans la mesure où il peut endommager le produit.

- Ne laissez pas les portes du réfrigérateur ouvertes pendant une période prolongée.
- Ne mettez pas d'aliments ou des boissons chaud(e)s dans le réfrigérateur.
- Ne surchargez pas le réfrigérateur. La capacité de refroidissement diminue lorsque la circulation de l'air à l'intérieur est entravée.
- Ne placez pas le réfrigérateur dans des endroits exposés à la lumière directe du soleil. Installez l'appareil au moins à 30 cm des sources de chaleur telles que les plaques de cuisson, les fours, les radiateurs de chauffage et les cuisinières, et au moins à 5 cm des fours électriques.
- Conservez les aliments contenus dans le réfrigérateur dans des récipients fermés.
- Chargez une quantité maximale d'aliments dans le compartiment réfrigérateur, en retirant la clayette ou le tiroir du compartiment congélateur. La valeur de consommation énergétique déclarée du réfrigérateur a été déterminée lorsque la clayette ou le tiroir du compartiment congélateur a été enlevé et par la quantité maximale d'aliments chargés. Il n'existe aucun risque à utiliser une clayette ou un tiroir adapté(e)s aux formes et tailles des aliments à congeler.
- La décongélation des aliments dans le compartiment réfrigérateur permet de faire des économies d'énergie et de préserver la qualité des aliments.



La température ambiante de la pièce dans laquelle vous installez le réfrigérateur doit être d'au moins 10 °C/50 °F. Il n'est pas recommandé de faire fonctionner votre appareil sous des températures inférieures.



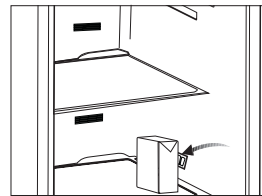
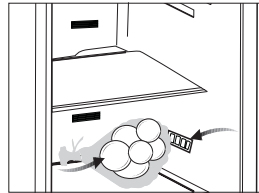
L'intérieur du réfrigérateur doit être soigneusement nettoyé.



Si deux réfrigérateurs sont installés côte à côte, ils doivent être séparés d'au moins 4 cm de distance.

4.2 Recommandations relatives au compartiment pour aliments frais

- Assurez-vous que les aliments ne touchent pas le capteur de température situé dans le compartiment pour aliments frais. Pour que le compartiment pour aliments frais conserve sa température idéale, le capteur ne doit pas être encombré par des aliments.
- Ne mettez pas des aliments ou des boissons chaud(e)s dans le réfrigérateur.



4.3 Première utilisation

Avant de commencer à utiliser cet appareil, assurez-vous que toutes les procédures pré-installation sont effectuées conformément aux instructions des sections « Consignes importantes relatives à la sécurité et à l'environnement » et « Installation ».

- Nettoyez l'intérieur du réfrigérateur, comme recommandé dans la section « Entretien et nettoyage ». Assurez-vous que l'intérieur est sec avant de l'utiliser.
- Branchez le réfrigérateur dans la prise murale mise à la terre. Lorsque la porte est ouverte, l'éclairage intérieur s'allume.
- Laissez le réfrigérateur en marche sans y mettre d'aliments pendant 6 heures et, n'ouvrez pas ses portes à moins que cela soit vraiment nécessaire.

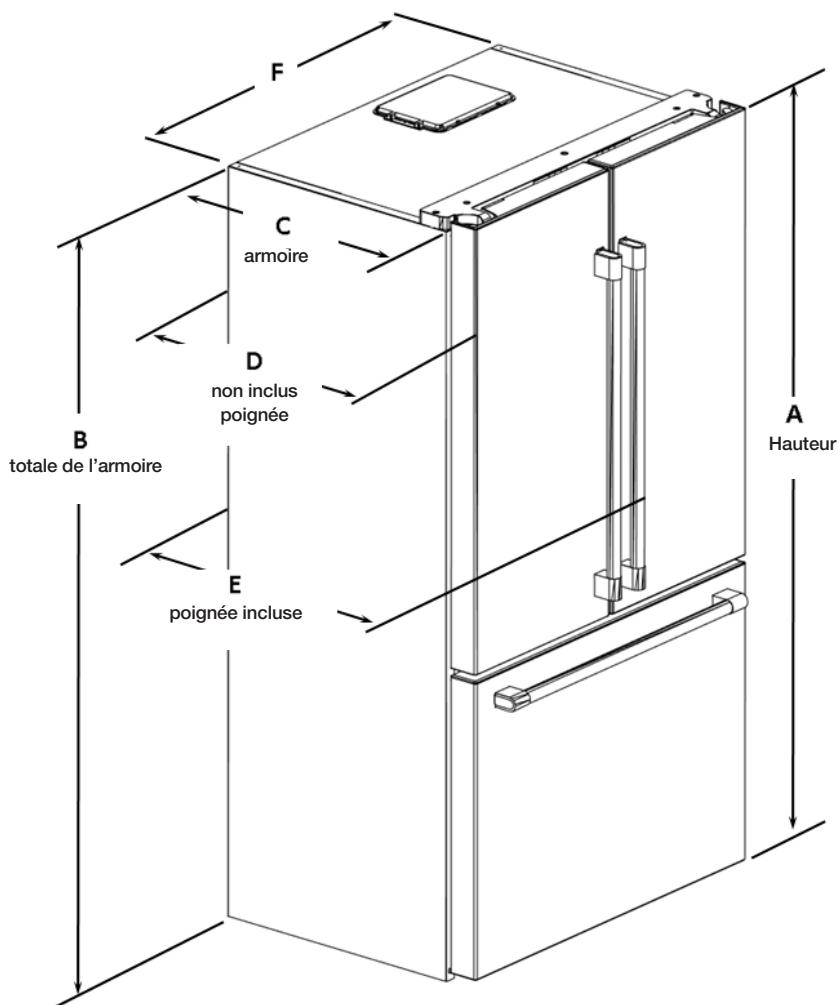


Vous remarquerez un bruit lorsque le compresseur se met en marche. Les liquides et les gaz intégrés au système de réfrigération peuvent également émettre du bruit, même si le compresseur n'est pas en marche. Ceci est tout à fait normal.



Les parties avant du réfrigérateur peuvent chauffer. Ce phénomène est normal. Ces zones doivent être chaudes pour éviter tout risque de condensation.

DIMENSIONS DE L'APPAREIL

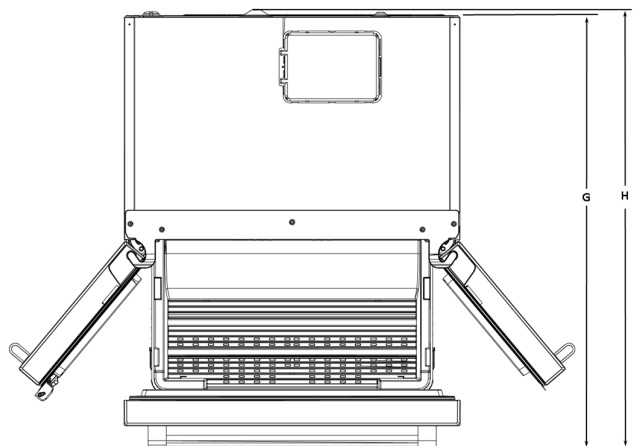


Préparation

DIMENSIONS

[RÉFRIGÉRATEUR FRANÇAIS 36 po]

Compartment congélateur avec porte ouverte au maximum (Tiroir)

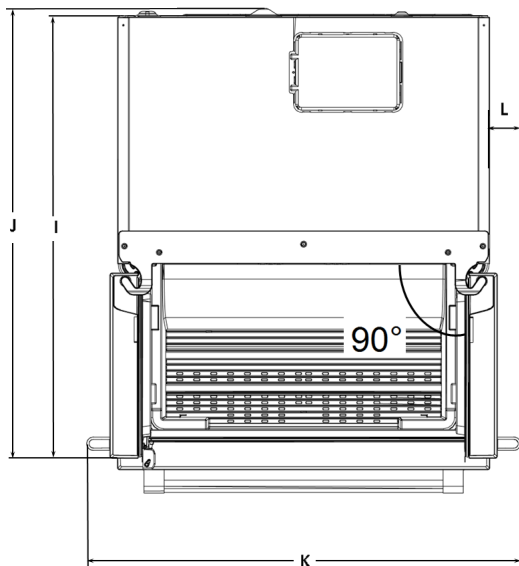


Hauteur totale « A »	totale maximale de l'armoire « B »	Profondeur de l'armoire « C » « O » uniquement	Profondeur sans poignée « D »
1 771 mm (69,72 po)	1710mm (67,32 po)	600 mm (23,62 po)	680,5 mm (26,79 po)
Profondeur avec poignées « E »	Largeur de l'armoire « F »	Profondeur du tiroir ouvert « G »	Profondeur totale du tiroir ouvert « H »
737 mm (29,01 po)	908 mm (35,74 po)	1157 mm (45,55 po)	1178,5 mm (46,40 po)
Profondeur avec portes ouvertes à 90° « I »	Profondeur totale avec portes ouvertes à 90° « J »	Largeur avec portes ouvertes à 90° et poignées « K »	Largeur avec portes ouvertes à 90° de l'armoire à la poignée « L »
1072,6 mm (42,22 po)	1094 mm (43,07 po)	1059,2 mm (41,70 po)	75,6 mm (2,97 po)
Largeur avec portes ouvertes à 130° de la poignée à la poignée « M »	Largeur des portes par 130° de l'armoire à la poignée « N »	Profondeur avec portes ouvertes à 130° « p »	Profondeur avec portes ouvertes à 130° « R »
1 530,2 mm (41,70 po)	311,2 mm (12,25 po)	391 mm (15,39 po)	991 mm (39,01 po)

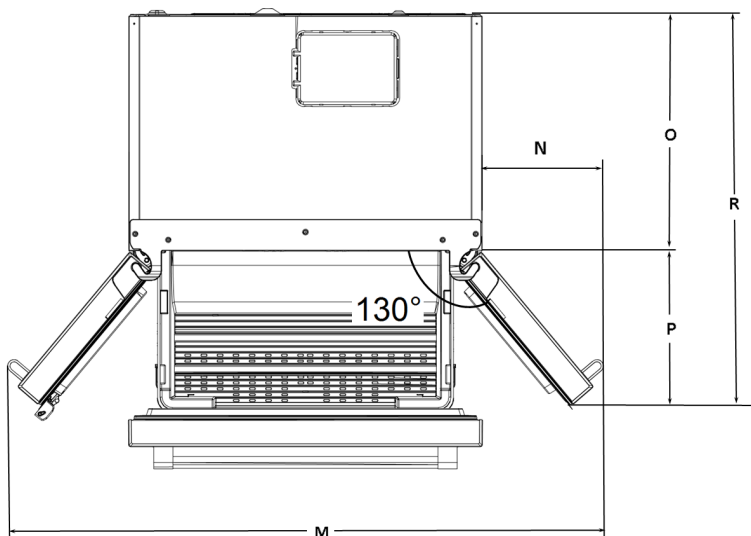
Espace libre minimum à partir du sommet : 2 pouces

Espace libre minimum à partir des côtés : 2 pouces

Compartment pour aliments frais avec
porte ouverte à 90°



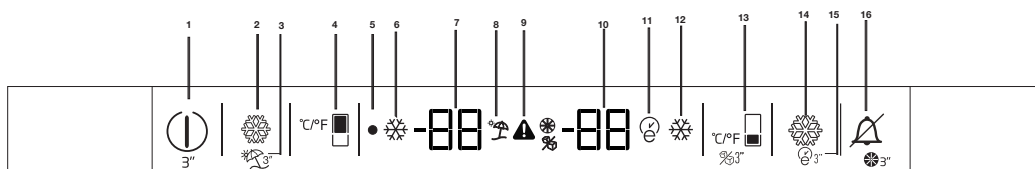
Compartment pour aliments frais avec
porte ouverte à 130° (Max)



5 Utilisation de l'appareil

5.1 Panneau de commande

Le panneau de commande tactile vous permet de régler la température et de contrôler les autres fonctions liées à l'appareil sans ouvrir la porte du réfrigérateur. Appuyez simplement sur la touche correspondante pour le réglage des fonctions.



1-Fonction On/Off (Marche/Arrêt)

Appuyez sur la touche On/Off (Marche/Arrêt) pendant 3 secondes pour allumer ou éteindre le réfrigérateur.

2-Fonction Quick Fridge (Réfrigération rapide)

Lorsque vous appuyez sur la touche Quick Fridge (Réfrigération rapide), la température du compartiment sera plus froide que les valeurs réglées.

Utilisez cette fonction peut être utilisée pour les aliments disposés dans le compartiment réfrigérateur et qui nécessitent un refroidissement rapide.

Si vous souhaitez refroidir de grandes quantités d'aliments frais dans le réfrigérateur, nous vous recommandons d'activer au préalable cette fonction avant d'y disposer les aliments. Le voyant Quick Fridge reste allumé lorsque la fonction correspondante est activée. Pour annuler cette fonction, appuyez à nouveau sur la touche Quick Fridge. Le voyant Quick Fridge s'éteint et retourne à ses réglages par défaut.

La fonction Quick Fridge se désactive automatiquement si vous ne le faites pas, au bout de 2 heures, ou lorsque le compartiment réfrigérateur atteint la température requise. Cette fonction n'est pas réactivée lorsque le courant est rétabli après une panne de courant.

3-Fonction Vacation (Vacances)

Appuyez sur la touche Quick Fridge/Vacation pendant 3 secondes pour activer la fonction Vacation (Vacances). L'icône « -- » s'allume lorsque cette fonction est active. Pour désactiver cette fonction, appuyez à nouveau sur la même touche pendant 3 secondes ou sur la touche Fridge set (Réglage du réfrigérateur).

4-Fonction Fridge Set (Réglage du réfrigérateur)

Cette fonction vous donne la possibilité de régler la température du compartiment réfrigérateur. Appuyez sur cette touche pour régler la température du compartiment réfrigérateur à 47, 45, 43, 41, 39, 37, 35 ou 33 °C respectivement.

5-Voyant Off (Arrêt)

Le voyant Off s'allume lorsque le réfrigérateur est en mode « Off » (Arrêt).

6-Voyant Quick Fridge (Réfrigération rapide)

Cette icône s'allume lorsque la fonction Quick Fridge est activée.

7-Voyant Réglage de température du compartiment réfrigérateur

Indique le réglage de température pour le compartiment réfrigérateur.

8-Voyant Vacation (Vacances)

Cette icône s'allume lorsque la fonction Vacation (Vacances) est activée.



Les chiffres figurant dans ce manuel ne sont donnés qu'à titre indicatif et peuvent ne pas correspondre exactement au produit. Si des pièces présentées ne sont pas incluses dans le produit que vous avez acheté, elles sont valables pour d'autres modèles.

Utilisation de l'appareil

9-Voyant Erreur de température élevée / Avertissement

Cette icône s'allume en cas de défaillance de température élevée ou d'avertissement d'erreurs.

10-Compartment congélateur

Le voyant de réglage de la température indique la température définie pour le compartiment congélateur.

11-Voyant Eco-Extra (Économie d'énergie supplémentaire)

Le voyant Eco-Extra (Économie d'énergie supplémentaire) s'allume lorsque la fonction Eco Extra est activée.

12-Voyant Quick Freeze (Congélation rapide)

Ce voyant s'allume lorsque la fonction Quick Freezer (Congélation rapide) est activée.

13-Fonction Freezer Set (Réglage du congélateur)

Cette fonction vous donne la possibilité de régler la température du compartiment congélateur.

Appuyez sur cette touche pour régler la température du compartiment congélateur à 0, - 2, - 4, - 6, - 8, - 10 ou - 12 respectivement.

14-Fonction Quick Freeze (Congélation rapide)

Le voyant Quick Freeze (Congélation rapide) s'allume lorsque la fonction correspondante est activée. Pour annuler cette fonction, appuyez à nouveau sur la touche Quick Freeze. Le voyant Quick Freeze s'éteint et retourne à ses réglages par défaut. La fonction Quick Freeze se désactive automatiquement si vous ne le faites pas, au bout de 4 heures, ou lorsque le compartiment congélateur atteint la température requise.

Si vous souhaitez congeler de grandes quantités d'aliments frais, appuyez d'abord sur la touche Quick Freeze avant d'y disposer les aliments. Si vous appuyez sur la touche Quick Freeze de façon répétée à des intervalles courts, cela active immédiatement la protection du circuit électronique.

Cette fonction n'est pas réactivée lorsque le courant est rétabli après une panne de courant.

15-Fonction Eco-Extra (Utilisation économique spéciale)

Appuyez sur la touche Quick Freeze/Eco Extra pendant 3 secondes pour activer la fonction Eco Extra.

Le réfrigérateur commence à fonctionner sous le mode le plus économique au moins 6 heures plus tard, et le voyant Économie d'énergie s'allume lorsque la fonction est activée. Appuyez à nouveau sur la touche Quick Freeze pendant 3 secondes pour désactiver la fonction Eco Fuzzy.

16-Alarme désactivée

Lorsque la porte du réfrigérateur reste ouverte pendant 2 minutes ou lorsque le capteur est en panne, une alarme sonore retentit. Pour arrêter l'alarme, appuyez sur la touche « Alarme désactivée ».

L'alarme de dysfonctionnement du capteur ne retentira qu'en cas de panne électrique. Si vous fermez et ouvrez la porte, « l'alarme d'ouverture de porte » s'active à nouveau au bout de 2 minutes.

5.2 Double système de refroidissement

Votre réfrigérateur est équipé de deux systèmes de refroidissement séparés, destinés à refroidir le compartiment pour aliments frais et le compartiment congélateur. Grâce à ces systèmes de refroidissement séparés, les vitesses de réfrigération sont beaucoup plus élevées que pour des réfrigérateurs normaux. Par ailleurs, une économie d'énergie supplémentaire est garantie, car la décongélation se fait individuellement.


5.3 Congélation des aliments frais

- Enveloppez les aliments ou mettez-les dans un récipient couvert avant de les placer dans le réfrigérateur.
- Laissez refroidir les aliments et les boissons à la température ambiante avant de les placer au réfrigérateur.

Utilisation de l'appareil

- Les denrées que vous souhaitez congeler doivent être fraîches et en bon état.
- Divisez les aliments en portions en fonction des besoins quotidiens de la famille ou par repas.
- Les denrées doivent être emballées hermétiquement afin d'éviter qu'elles ne s'assèchent, même si elles ne doivent être conservées que pendant une courte période.
- Les matériaux utilisés pour l'emballage doivent être résistant aux déchirures, au froid, à l'humidité, et imperméables aux odeurs, aux huiles et aux acides ; ils doivent également être hermétiques. Par ailleurs, ils doivent être fermés correctement et être composés de matériaux simples d'utilisation adaptés à un usage dans un congélateur.
- Consommez immédiatement les denrées congelées après leur décongélation et ne les congélez plus à nouveau.
- Ne congelez pas de grandes quantités d'aliments à la fois. La qualité des aliments est préservée de façon optimale lorsqu'ils sont entièrement congelés aussi rapidement que possible.
- Le fait d'introduire des aliments chauds dans le congélateur entraîne le fonctionnement continu du système de refroidissement jusqu'à ce que les aliments soient entièrement congelés.

5.4 Recommandations relatives à la conservation des aliments congelés

- Les aliments surgelés que vous avez achetés doivent être conservés conformément aux instructions du fabricant sur les produits congelés pour un  (4 étoiles) compartiment de stockage de denrées alimentaires congelées.
- Afin de veiller à ce que la qualité supérieure recherchée par le fabricant et le détaillant des produits congelés soit atteinte, il convient de se rappeler les points suivants :
 1. Mettez les emballages dans le congélateur aussi rapidement que possible après achat.
 2. Assurez-vous que le contenu de l'emballage est étiqueté et daté.
 3. Vérifiez que les mentions « À consommer avant le » et « À consommer de préférence avant le » figurant sur l'emballage sont respectées.

5.5 Disposition des aliments

Clayettes du compartiment congélateur	Différentes denrées congelées comme de la viande, du poisson, des crèmes glacées, des légumes, etc.
Œufrier	Œufs
Clayettes du compartiment réfrigérateur	Aliments dans les casseroles, les assiettes couvertes et les récipients fermés
Balconnets du compartiment réfrigérateur	Produits ou boissons de petite taille et sous emballage (comme du lait, des jus de fruits ou de la bière, etc.)
Bac à légumes	Fruits et légumes
Compartiment refroidisseur	Produits délicats (fromage, beurre, salami, etc.)

5.6 Informations relatives à la congélation

Les denrées doivent être congelées le plus rapidement possible lorsqu'elles sont placées dans un réfrigérateur, afin de préserver leur qualité.

Vous pouvez conserver la fraîcheur de vos denrées pendant de nombreux mois (à des températures inférieures ou égales à - 18 °C/0 °F dans le congélateur).

Utilisation de l'appareil

Réglage du compartiment congélateur	Réglage du compartiment réfrigérateur	Explications
-18 °C/0 °F	4°C/39°F	Voici le réglage normal recommandé.
-20°C/-4°F	3°C/37°F	Ces réglages sont recommandés lorsque la température ambiante est supérieure à 30 °C/86 °F.
Quick Freeze (Congélation rapide)	4°C/39°F	Utilisez cette fonction lorsque vous souhaitez congeler des aliments en peu de temps. Le réfrigérateur retourne au mode de fonctionnement précédent lorsque ce processus est terminé.
-24°C/-12°F	2°C/35°F	Utilisez ces paramètres si vous estimez que le compartiment réfrigérateur n'est pas assez froid à cause de la chaleur ou des ouvertures/fermetures fréquentes de la porte.
Inférieure ou égale à -18 °C/0 °F	Quick Fridge (Réfrigération rapide)	Utilisez cette fonction lorsque vous mettez de grandes quantités d'aliments dans le compartiment réfrigérateur ou lorsque vous souhaitez refroidir rapidement vos denrées. Il est conseillé d'activer la fonction Quick Fridge (Réfrigération rapide) pendant 4 à 8 heures de temps avant de ranger les denrées.

Température de fonctionnement recommandée : FF : 4 °C/39 °F Frz : - 18 °C/0 °F



Divisez les aliments en portions en fonction des besoins quotidiens de la famille ou par repas.



Les denrées doivent être emballées hermétiquement afin d'éviter qu'elles ne s'assèchent, même si elles ne doivent être conservées que pendant une courte période.

- Matériaux nécessaires à l'emballage :
- Ruban adhésif résistant au froid
- Étiquette autocollante
- Anneaux en caoutchouc
- Stylo

Les matériaux utilisés pour l'emballage des aliments doivent être résistants aux déchirures, au froid, à l'humidité, et imperméables aux odeurs, aux huiles et aux acides.

Il faut éviter que les denrées à congeler n'entrent en contact avec des aliments déjà congelés afin d'empêcher le dégel partiel de ces derniers.



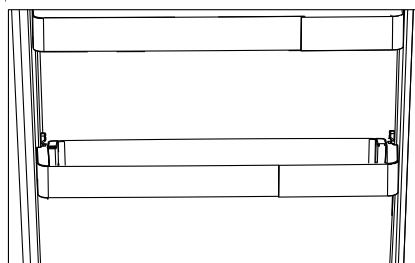
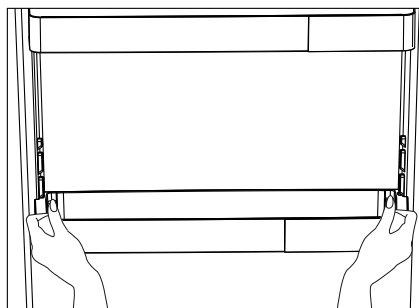
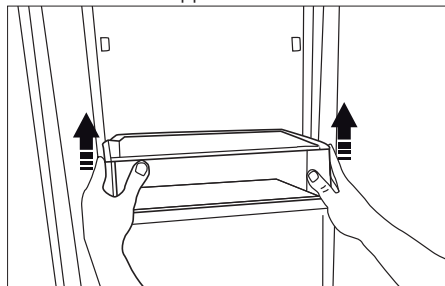
Consommez immédiatement les denrées congelées après leur décongélation et ne les recongelez plus à nouveau.

5.7 Retrait des balconnets

Vous pouvez retirer les balconnets afin de les nettoyer. Poussez le balconnet que vous souhaitez nettoyer vers le haut, afin de le retirer.

Ne retirez pas le balconnet lorsqu'il contient des aliments.

Videz tout d'abord l'appareil de tout matériel.



5.8 Clayettes amovibles

***en option**

Les clayettes amovibles peuvent être fixées de 3 manières différentes.

Pour déplacer les clayettes, appuyez simultanément sur les boutons situés sur le côté. Ainsi, les clayettes sont amovibles.

Déplacez les clayettes vers le haut ou vers le bas.

Une fois que cette dernière se trouve dans la position de votre choix, relâchez les boutons.

Assurez-vous que les clayettes sont fixées à nouveau dans la position initiale.

5.9 Balconnets en verre

Vous pouvez retirer les balconnets en verre afin de les nettoyer. Soyez prudents lorsque vous retirez les balconnets car ils pèsent.

5.10 Compartiment refroidisseur

(pour certains modèles)

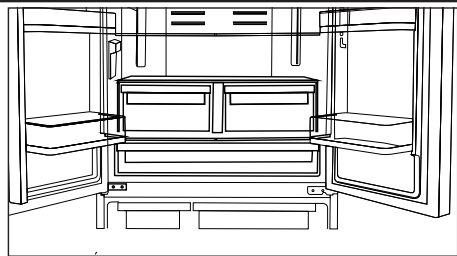
Les compartiments refroidisseurs vous permettent d'apprêter des aliments destinés à la congélation.

Vous pouvez également utiliser ces compartiments si vous souhaitez conserver vos aliments à une température quelque peu inférieure à celle du compartiment de réfrigération.

Vous pouvez augmenter le volume interne de votre réfrigérateur en retirant le compartiment refroidisseur souhaité :

1. Tirez le compartiment vers vous jusqu'à ce qu'il se bloque.
2. Soulevez le compartiment d'environ 1 cm et tirez-le vers vous pour le retirer de son support.

Utilisation de l'appareil



5.11 Bac à légumes

Le bac à légumes du réfrigérateur a été spécialement conçu pour vous aider à conserver vos denrées au frais sans que celles-ci n'aient à perdre de leur humidité. C'est pourquoi en général, l'air frais circule davantage tout autour du bac à légumes. Enlevez les balconnets alignés contre le bac à légumes avant de retirer les bacs à légumes.

5.12 Bac à légumes à humidité contrôlée

(FreShelf)

(Cette caractéristique est en option)

Le taux d'humidité des fruits et des légumes est maintenu sous contrôle grâce au bac à humidité contrôlée. Vous avez ainsi la garantie que vos produits restent frais longtemps.

Si possible, placez les légumes feuillus tels que la laitue, les épinards et les autres légumes générant une perte d'humidité à l'horizontale à l'intérieur du bac, et non sur leurs racines, en position verticale.

Une fois les légumes placés dans le bac, il faut prendre en considération le poids spécifique des légumes. Les légumes lourds et durs doivent être disposés au fond du bac, tandis que les plus légers et tendres seront placés au-dessus.

Ne laissez jamais les légumes dans leurs sachets, à l'intérieur du bac à légumes. Si vous laissez les légumes dans leurs sachets, ils se décomposeront en très peu de temps. Pour des raisons d'hygiène, il vaut mieux éviter le contact de l'emballage avec d'autres légumes, préférez un papier perforé ou tout autre emballage similaire plutôt que le sachet.

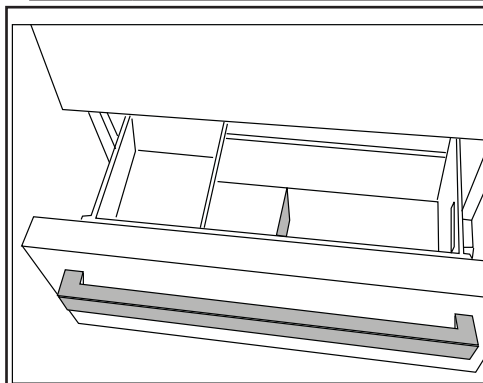
Ne rangez pas ensemble dans le même bac, les poires, les abricots, les pêches, etc. ainsi que les pommes, en particulier celles générant un niveau élevé de gaz d'éthylène, avec les autres fruits et légumes. Le gaz d'éthylène émis par ces premiers fruits peut accélérer la détérioration et la décomposition des autres en très peu de temps.

5.13 Récipient à glace

Le récipient à glace permet de recueillir les glaçons de la machine à glaçons. Ne versez pas d'eau à l'intérieur du récipient à glace pour obtenir des glaçons de peur de l'endommager. Le récipient à glace n'est pas prévu pour y conserver des aliments.

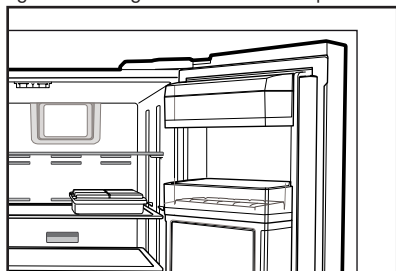


La machine à glaçons peut produire des glaçons lorsque le récipient à glace est ouvert.



5.14 Casier à beurre et à fromage (pour certains modèles)

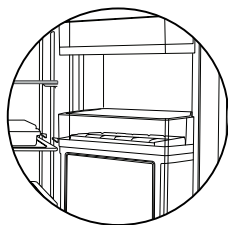
Conservez des aliments tels que le beurre, le fromage et la margarine dans ce compartiment.



5.15 Œufrier

Installez l'œufrier dans le balconnet ou le tiroir souhaité.

Ne conservez jamais l'œufrier dans le compartiment congélateur.

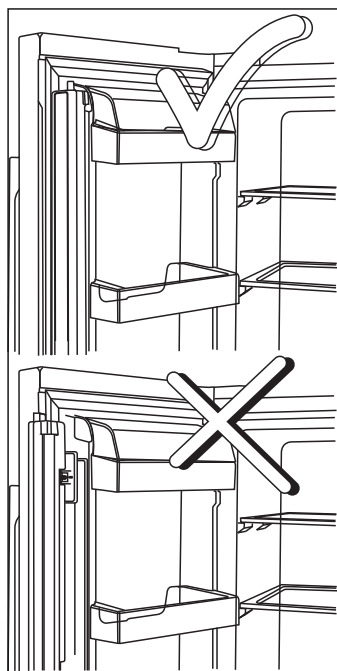


5.16 Section centrale mobile

La section centrale mobile est destinée à empêcher l'air froid contenu à l'intérieur du réfrigérateur de s'échapper. Un scellement est fourni lorsque les joints d'étanchéité situés sur la porte entre en contact avec la section centrale mobile lorsque les portes du compartiment réfrigérateur sont fermées.



La section centrale mobile est fermée lorsque la porte gauche du compartiment réfrigérateur est ouverte. Pour déplacer la section centrale mobile, utilisez la partie en plastique du corps lorsque vous fermez la porte. N'essayez pas de l'ouvrir manuellement.



Lorsque le récipient de conservation rotatif est ouvert, évitez de fermer la porte du réfrigérateur.



Ne surchargez pas le récipient de conservation rotatif en y mettant trop d'éléments.

5.17 Lumière bleue (pour certains modèles)

Les bacs à légumes du réfrigérateur sont éclairés par une lumière bleue. Les denrées conservées dans les bacs à légumes continuent leur photosynthèse grâce aux effets de longueur d'onde de la lumière bleue et conservent ainsi leur fraîcheur et leur teneur en vitamines.

5.18 Ionisation (pour certains modèles)

L'air est ionisé au moyen du système d'ionisation qui se trouve dans le conduit d'aération du compartiment réfrigérateur. Grâce à ce système,

Utilisation de l'appareil

les bactéries et les molécules en suspension dans l'air qui sont à l'origine des odeurs sont éliminées.

5.19 Filtre d'odeurs

(pour certains modèles)

Le filtre d'odeurs situé dans le conduit d'aération de du compartiment réfrigérateur empêche la formation d'odeurs désagréables dans le réfrigérateur.

5.20 Utilisation du distributeur d'eau interne

(pour certains modèles)

Une fois que vous avez raccordé le réfrigérateur à une source d'alimentation ou remplacé, vidangez le réseau d'alimentation en eau. Utilisez un récipient solide pour abaisser et tenir le levier du distributeur d'eau pendant 5 secondes, puis relâchez-le pendant 5 secondes. Répétez cette étape jusqu'à ce que l'eau s'écoule. Une fois que l'eau commence à s'écouler, continuez d'abaisser et de relâcher le levier du distributeur (5 secondes en position marche, 5 secondes en position arrêt) jusqu'à obtention d'un nombre total de 4 gal. (15 l). Cela permet de libérer l'air contenu dans le filtre et le système de distribution d'eau et de préparer le filtre à eau pour l'utilisation. Un rinçage supplémentaire peut être nécessaire dans certains cas. Une fois l'air évacué du système, l'eau peut jaillir du distributeur.

Laissez 24 heures au réfrigérateur pour qu'il refroidisse et refroidisse l'eau. Laissez s'écouler suffisamment d'eau chaque semaine afin de maintenir une source d'approvisionnement fraîche.



Après 5 minutes d'écoulement continu, le distributeur arrête la distribution afin d'éviter tout débordement. Pour poursuivre la distribution, appuyez à nouveau sur le levier.

5.21 Distribution d'eau

Placez un récipient sous le bec distributeur d'eau tout en appuyant sur le levier. Relâchez le levier pour arrêter l'écoulement d'eau.



Il est tout à fait normal que les premiers verres d'eau obtenus du distributeur soient chauds.



Si vous n'utilisez pas le distributeur d'eau pendant une période prolongée, débarrassez-vous des premiers verres d'eau afin d'obtenir de l'eau fraîche.

Lors de la première utilisation, patientez pendant environ 24 heures afin que l'eau refroidisse. Enlevez le verre peu de temps après avoir tiré sur la gâchette.

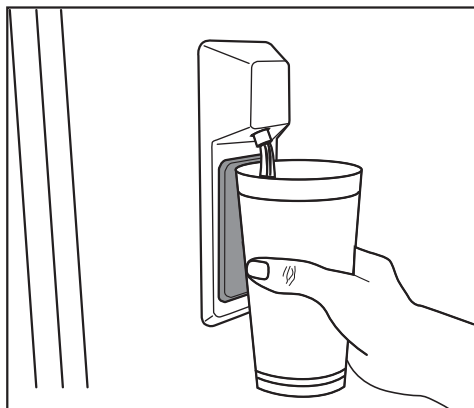
5.22 Utilisation du distributeur d'eau



Avant d'utiliser votre réfrigérateur pour la première fois, et une fois le filtre à eau remplacé, des gouttes d'eau s'écoulent du distributeur d'eau. Pour éviter l'égouttement ou les fuites d'eau provenant du distributeur, purgez l'air contenu dans le système en répartissant l'eau dans 5-6 gallons (environ 20 litres) d'eau à l'aide du distributeur d'eau, avant la première utilisation et chaque fois que vous remplacez le filtre à eau. Cela permet de libérer l'air piégé dans le système et d'arrêter les fuites d'eau émanant du distributeur d'eau. En cas d'obstruction du débit d'eau, vérifiez la position de l'accouplement et la rectitude de la conduite d'eau située à l'arrière de l'appareil.



Si juste quelques gouttes d'eau fuient de votre distributeur d'eau une fois l'eau écoulée, cela est normal.

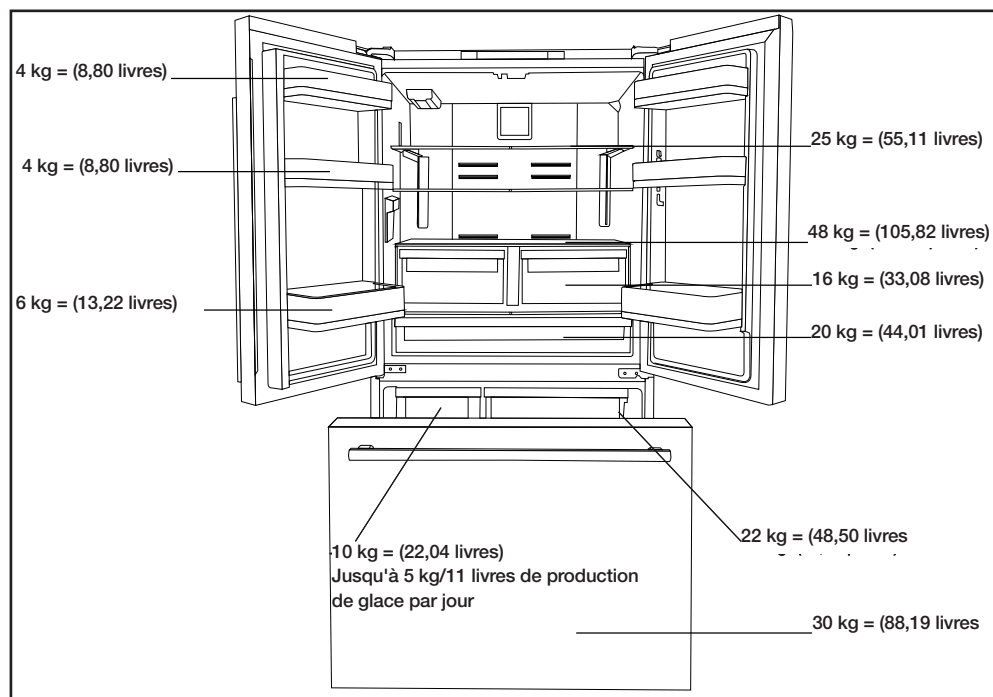


5.23 Limites de poids des clayettes du réfrigérateur

Les clayettes en porte-à-faux du compartiment pour aliments frais, celles qui sont dotées uniquement de supports arrière, ont été testées pour supporter chacune un poids maximal de 25 kg (55 livres).

Les bacs à légumes peuvent supporter jusqu'à 15 kg (33 livres) chacun. Le compartiment refroidisseur peut supporter jusqu'à 20 kg (44 livres). Ce sont des charges dynamiques pour les bacs à légumes et le compartiment refroidisseur.

Le bac à glaçons peut supporter jusqu'à 10 kg (22 livres) ; utilisez-le sans glaçons. Le bac à glaçons situé dans la partie supérieure du congélateur peut supporter jusqu'à 24 kg (53 livres) et le tiroir 30 kg (66 livres). Ce sont des charges dynamiques pour le bac à glaçons, celui situé dans la partie supérieure du congélateur et le tiroir.



6 Entretien et nettoyage

Lorsque vous nettoyez votre appareil à des intervalles de temps réguliers, cela prolonge la durée de vie de ce dernier et réduit les problèmes généralement rencontrés.



AVERTISSEMENT : Débranchez l'appareil avant de le nettoyer.

- N'utilisez jamais d'essence, de benzène ou de matériaux similaires pour le nettoyage.
- N'utilisez jamais d'outils tranchants ou abrasifs, savon, produits de nettoyage domestique, détergent ou d'encaustique pour le nettoyage.
- Dissolvez une cuillerée à café de carbonate dans un demi-litre d'eau. Trempez un chiffon dans cette solution et essorez-le complètement. Nettoyez soigneusement l'intérieur du réfrigérateur avec ce chiffon et séchez ensuite à l'aide d'un chiffon sec.
- Ne laissez pénétrer aucun liquide dans le logement de lampe ou dans tout autre dispositif électrique.
- Si vous n'utilisez pas le réfrigérateur pendant une période prolongée, débranchez-le, retirez-y tous les aliments, nettoyez-le et laissez la porte entrouverte.
- Vérifiez régulièrement que les joints des portes sont propres. Si tel n'est pas le cas, nettoyez-les.
- Pour retirer les balconnets ou les clayettes, videz-les de tout leur contenu.
- Retirez les balconnets en les tirant vers le haut. Après les avoir nettoyé, faites-les glisser du haut vers le bas pour les remettre en place.
- N'utilisez jamais des produits nettoyants ou de l'eau contenant du chlore pour le nettoyage des surfaces externes et des pièces revêtues de chrome de l'appareil. Le chlore entraîne la corrosion de ces surfaces métalliques.

6.1 Prévention des mauvaises odeurs

Les matériaux susceptibles d'être à l'origine d'une odeur ne sont pas utilisés dans la fabrication de nos réfrigérateurs. Cependant, des conditions de conservation inappropriées et le non nettoyage de la surface interne du réfrigérateur tel que recommandé peuvent vous amener à être confronté au problème d'odeur. Pour éviter les problèmes d'odeur, faites attention aux points suivants :

- Il est important de garder votre réfrigérateur propre. Les résidus d'aliments, les taches, etc. peuvent être à l'origine des odeurs. Par conséquent, nettoyez le réfrigérateur avec du carbonate dissout dans de l'eau, tous les 15 jours. N'utilisez jamais de détergent ou de savon.
- Conservez les aliments dans des récipients fermés. Les micro-organismes issus de récipients non fermés peuvent dégager des odeurs désagréables.
- Ne conservez jamais les aliments dont la date d'expiration est déjà dépassée et des aliments pourris dans le réfrigérateur.

6.2 Protection des surfaces en plastique

Ne placez pas d'huiles ou de plats huileux dans le réfrigérateur dans des récipients non fermés, car les graisses peuvent endommager les surfaces en plastique du réfrigérateur. Si vous versez ou éclaboussez de l'huile sur les surfaces en plastique, nettoyez et lavez immédiatement les parties souillées avec de l'eau chaude.

7 Dépannage

Vérifiez la liste suivante avant de contacter le service après-vente. Cela peut vous faire économiser du temps et de l'argent. Cette liste regroupe les problèmes les plus fréquents ne provenant pas d'un défaut de fabrication ou d'utilisation du matériel. Il se peut que certaines des fonctions décrites ne soient pas présentes sur votre produit.

Le réfrigérateur ne fonctionne pas.

- La fiche n'est pas correctement insérée dans la prise. >>> Insérez correctement la fiche dans la prise.
- Le fusible de la prise à laquelle votre réfrigérateur est branché ou le fusible principal a sauté. >>> Vérifiez le fusible.

Condensation sur la paroi latérale du compartiment réfrigérateur. (MULTIZONE, COOL CONTROL et FLEXI ZONE).

- La température ambiante est très froide. >>> N'installez pas le réfrigérateur dans des endroits où la température est inférieure à 10 °C.
- La porte a été ouverte régulièrement. >>> Évitez d'ouvrir et de fermer trop fréquemment la porte du réfrigérateur.
- L'environnement est très humide. >>> N'installez pas votre réfrigérateur dans des endroits très humides.
- Les aliments contenant des liquides sont conservés dans des récipients ouverts. >>> Conservez les aliments comportant des liquides dans des récipients fermés.
- La porte du réfrigérateur est entrouverte. >>> Ne laissez pas les portes du réfrigérateur ouvertes pendant une période prolongée.
- Le thermostat est réglé à un niveau très froid. >>> Réglez le thermostat à un niveau adapté.

Le compresseur ne fonctionne pas.

- Le dispositif de protection thermique du compresseur sautera en cas de coupures soudaines du courant ou de débranchement intempestif, en effet la pression du liquide réfrigérant du système de refroidissement ne sera pas équilibrée. Le réfrigérateur recommence à fonctionner normalement après 6 minutes environ. Contactez l'agent de services agréé si le réfrigérateur ne redémarre pas après cette période.
- Le réfrigérateur est en mode de dégivrage. >>> Cela est normal pour un réfrigérateur à dégivrage entièrement automatique. Le cycle de dégivrage se déclenche régulièrement.
- Le réfrigérateur n'est pas branché à la prise. >>> Assurez-vous que la fiche est insérée dans la prise murale.
- Les réglages de température ne sont pas effectués correctement. >>> Sélectionnez la température appropriée.
- Il y a une panne de courant. >>> Le réfrigérateur recommence à fonctionner normalement après le retour du courant.

Le bruit de fonctionnement augmente lorsque le réfrigérateur est en marche.

- Les caractéristiques de performance du réfrigérateur peuvent changer en raison des variations de la température ambiante. Cela est normal et n'est pas un défaut.

Dépannage

Le réfrigérateur fonctionne fréquemment ou pendant de longues périodes.

- Votre nouveau réfrigérateur est peut-être plus large que l'ancien. Les grands réfrigérateurs durent plus longtemps.
- La température de la pièce est probablement élevée. >>> Il est normal que l'appareil fonctionne plus longtemps dans des conditions ambiantes chaudes.
- Le réfrigérateur aurait été branché récemment, ou chargé d'aliments. >>> Lorsque le réfrigérateur a été branché ou rempli d'aliments tout récemment, il met plus de temps à atteindre le niveau de température réglé. Ce phénomène est normal.
- D'importantes quantités de denrées chaudes ont peut-être été introduites dans le réfrigérateur récemment. >>> Ne mettez pas d'aliments chauds dans le réfrigérateur.
- Les portes ont peut-être été ouvertes fréquemment ou laissées entrouvertes pendant une durée prolongée. >>> L'air chaud qui entre dans le réfrigérateur fait fonctionner ce dernier pendant de plus longues périodes. N'ouvrez pas les portes fréquemment.
- La porte du congélateur ou du réfrigérateur est probablement entrouverte. >>> Vérifiez que les portes sont bien fermées.
- Le réfrigérateur est réglé à une température très basse. >>> Réglez la température du réfrigérateur à un degré supérieur et attendez que cette température soit atteinte.
- Le joint de la porte du réfrigérateur ou du congélateur peut être sale, déchiré, rompu ou mal fixé. >>> Nettoyez ou remplacez le joint. Tout joint endommagé/déchiré fait fonctionner le réfrigérateur pendant une période de temps plus longue afin de conserver la température actuelle.

La température du congélateur est très basse alors que celle du réfrigérateur est correcte.

- Le congélateur est réglé à une température très basse. >>> Réglez la température du congélateur à un degré supérieur et vérifiez.

La température du réfrigérateur est très basse alors que celle du congélateur est correcte.

- Le réfrigérateur est réglé à une température très basse. >>> Réglez la température du réfrigérateur à un degré supérieur et vérifiez.

Les denrées conservées dans les tiroirs du compartiment de réfrigération sont congelées.

- La température du réfrigérateur est réglée à une température très basse. >>> Réglez la température du réfrigérateur à un degré inférieur et vérifiez.

La température dans le réfrigérateur ou le congélateur est très élevée.

- La température du réfrigérateur est réglée à une température très basse. >>> Le réglage de la température du compartiment réfrigérateur a un effet sur la température du congélateur. Changez les températures du réfrigérateur ou du congélateur et attendez que les compartiments atteignent une température suffisante.
- Les portes sont ouvertes fréquemment ou laissées entrouvertes pendant une durée prolongée. >>> N'ouvrez pas les portes fréquemment.
- La porte est entrouverte. >>> Refermez complètement la porte.
- Le réfrigérateur a été récemment branché ou rempli d'aliments. >>> C'est normal. Lorsque le réfrigérateur a été branché ou rempli d'aliments tout récemment, il met plus de temps à atteindre le niveau de température réglé.
- D'importantes quantités de denrées chaudes ont peut-être été introduites dans le réfrigérateur récemment. >>> Ne mettez pas d'aliments chauds dans le réfrigérateur.

Dépannage

Vibrations ou bruits

- Le sol n'est pas plat ou stable. >>> Si le réfrigérateur bascule lorsque vous le déplacez lentement, équilibrez-le en ajustant sa base. Assurez-vous que le sol est plat et suffisamment solide pour supporter le poids et le volume de l'appareil.
- Les éléments placés sur le réfrigérateur peuvent faire du bruit. >>> Retirez les éléments situés au-dessus du réfrigérateur.

Le réfrigérateur émet des bruits semblables à de l'eau qui coule, à la pulvérisation d'un liquide, etc.

- Des écoulements de gaz et de liquides surviennent dans le réfrigérateur, de par ses principes de fonctionnement. >>> C'est un phénomène normal et non un dysfonctionnement.

Le réfrigérateur émet un sifflement.

- Les ventilateurs sont utilisés pour refroidir le réfrigérateur. Cela est normal et n'est pas un défaut.

Condensation sur les parois internes du réfrigérateur.

- Un temps chaud et humide augmente la formation de givre et de condensation. Cela est normal et n'est pas un défaut.
- Les portes sont ouvertes fréquemment ou laissées entrouvertes pendant une durée prolongée. >>> N'ouvrez pas les portes fréquemment. Refermez-les si elles sont ouvertes.
- La porte est entrouverte. >>> Refermez complètement la porte.

De l'humidité est présente à l'extérieur ou entre les portes du réfrigérateur.

- L'air est humide ; ce phénomène est tout à fait normal en raison de la température humide. >>> Lorsque le degré d'humidité est faible, la condensation disparaît.
- Lorsque l'humidité se forme dans la zone comprise entre les deux portes de réfrigérateur, désactivez le mode « Économie d'énergie ».

Présence d'une mauvaise odeur dans le réfrigérateur.

- Un nettoyage régulier n'est pas effectué. >>> Nettoyez régulièrement l'intérieur du réfrigérateur à l'aide d'une éponge, de l'eau tiède ou du carbonate dissous dans de l'eau.
- Les odeurs peuvent provenir des matériaux d'emballage ou des récipients. >>> Utilisez des récipients différents ou changez de marque de matériau d'emballage.
- Des aliments sont mis au réfrigérateur dans des récipients sans couvercle. >>> Conservez les aliments dans des récipients fermés. Les micro-organismes issus de récipients non fermés peuvent dégager des odeurs désagréables.
- Enlevez les aliments périmés et pourris du réfrigérateur.

La porte ne se ferme pas.

- Des récipients empêchent la fermeture de la porte. >>> Retirez les emballages qui obstruent la porte.
- Le réfrigérateur n'est pas complètement stable sur le sol. >>> Réglez les pieds du réfrigérateur pour l'équilibrer.
- Le sol n'est pas plat ou solide. >>> Assurez-vous que le sol est plat et suffisamment solide pour supporter le poids du réfrigérateur.

Les bacs à légumes sont coincés.

- Les aliments touchent le plafond du tiroir. >>> Disposez à nouveau les aliments dans le tiroir.



AVERTISSEMENT : Si vous ne parvenez pas à résoudre le problème même après avoir suivi les instructions données dans cette section, contactez votre revendeur ou un agent de service agréé. N'essayez jamais de réparer un produit non fonctionnel vous-même.

DECLARATION DE GARANTIE POUR LES REFRIGERATEURS BLOMBERG

Les garanties offertes par Blomberg dans ces déclarations s'appliquent uniquement aux réfrigérateurs Blomberg vendus à l'acheteur ou propriétaire original aux États-Unis et au Canada. La garantie n'est pas transférable. Pour obtenir un service de garantie, veuillez contacter votre distributeur le plus près tel que listé par province. Vous aurez besoin du numéro de modèle du réfrigérateur, du numéro de série, du nom et de l'adresse du détaillant où vous l'avez acheté ainsi que de la date d'achat et de la date d'installation. Cette garantie vous confère des droits légaux spécifiques, et vous pouvez également bénéficier d'autres droits qui peuvent varier d'une province à l'autre. De plus, assurez-vous d'enregistrer votre produit pour la garantie au www.blombergappliances.com.

1 an (*) de garantie complète à partir de la date de la première installation

Blomberg réparera ou remplacera sans frais pour le consommateur toutes pièces défectueuses du réfrigérateur si utilisé sous des conditions domestiques normales (la garantie est annulée si le produit est utilisé à des fins commerciales par ex. gîtes touristiques, centre de soins, etc.). Le service doit aussi être effectué par une agence de service autorisée par Blomberg. (Les défauts de fabrication apparents doivent être signalés en dedans de 10 jours ouvrables de l'installation). 1 an de garantie sur les accessoires, pour les pièces seulement et n'inclut pas la main d'oeuvre.

2 ans ** de garantie à compter de la date de la première installation (pièces uniquement) Blomberg réparera ou remplacera toute pièce sans aucun frais pour le consommateur pour tout défaut de matière ou de fabrication à l'origine du dommage ou de la défaillance de ces éléments. Le réfrigérateur doit avoir été utilisé dans des conditions normales domestiques et non commerciales tel que mentionné ci-dessus. (Le coût de la main d'oeuvre est à la charge du consommateur).

2-5 ans (*, **) de garantie limitée à partir de la date de la première installation

(pièces seulement 2-5 ans). Blomberg réparera ou remplacera tous les compresseurs, évaporateurs, condenseurs et déshydrateurs sans frais pour le consommateur si des vices de matériaux ou de main d'oeuvre ont causés des dommages ou des défaillances de ces composants.

Le réfrigérateur devra avoir été utilisé sous des conditions domestiques normales et non commerciale (Les frais de main d'oeuvre sont la responsabilité du consommateur).

Exonérations de garantie et exclusions :

La garantie ne couvre pas les frais de service d'un agent de service autorisé pour corriger des problèmes d'installation, électriques ou l'instruction éducationnelle sur l'utilisation du réfrigérateur. La garantie ne couvre pas non plus les défauts ou les dommages causés par une catastrophe naturelle (comme des tempêtes, des inondations, des incendies, des coulées de boue, etc.), des dommages causés par l'utilisation du réfrigérateur dans des buts autres que ceux pour lesquels il a été conçu, mauvaise utilisation, abus, accident, altération, mauvaise installation, entretien, frais de déplacements, appels de service en dehors des heures de service normales, ramassage et livraison, toute perte d'aliments à cause d'une défectuosité du produit, service non autorisé ou personne de service non autorisée.

Ce produit a subi des tests complets et a eu des inspections d'assurance de qualité officiels avant de quitter le site de fabrication original. Les conditions de garantie pour cet électroménager Bomberg n'est pas valide si le produit a été altéré, tripoté, modifié, si des pièces supplémentaires ont été assemblées, fixées et réemballées par un distributeur autorisé, une personne d'entretien, un détaillant de tierce partie, un revendeur ou par toute(s) autre(s) personne(s) non autorisée(s).

DANS LA LIMITE DE CE QUI EST AUTORISÉ PAR LA LOI, CETTE GARANTIE TIENT LIEU DE TOUTES LES AUTRES GARANTIES, EXPRESSES OU IMPLICITES, Y COMPRIS LES GARANTIES IMPLICITES DE QUALITÉ MARCHANDE ET D'ADAPTATION À UN USAGE PARTICULIER. BLOMBERG DÉCLINE TOUTE RESPONSABILITÉ EN CE QUI A TRAIT À LA QUALITÉ DE CE PRODUIT SAUF MENTION CONTRAIRE DANS CETTE DÉCLARATION DE GARANTIE. BLOMBERG N'ASSUME AUCUNE RESPONSABILITÉ QUAND À L'ADAPTATION DU PRODUIT POUR TOUT BUT PARTICULIER POUR LEQUEL VOUS POURRIEZ ACHETER CE PRODUIT, SAUF MENTION CONTRAIRE DANS CETTE DÉCLARATION DE GARANTIE.

Blomberg n'assume aucune responsabilité pour les dommages indirects ou consécutifs. De tels dommages incluent, mais sans s'y limiter, la perte de profits, la perte d'épargnes ou de revenus, la perte de l'utilisation du réfrigérateur ou de tout équipement associé, le coût du capital, le coût de tout équipement substitué, installations ou services, pannes, les réclamations de tiers, et des dommages à la propriété. Certaines provinces n'autorisent pas l'exclusion ou la limitation des dommages accessoires ou indirects, de sorte que les limitations ou exclusions ci-dessus peuvent ne pas s'appliquer à vous.

(*) La date d'installation réfère à la date d'achat ou à 5 jours ouvrables après la livraison du produit à la maison, la plus tardive de ces deux dates prévalant.
(**) Les pièces remplacées assumeront l'identité des pièces originales + leur garantie originale.

Aucune autre garantie. Cette déclaration de garantie est la garantie complète et exclusive du fabricant. Aucun employé de Blomberg ou autre tiers n'est autorisé à faire des déclarations de garantie en plus de celles énoncées dans cette Déclaration de garantie.

Veuillez conserver cette carte de garantie, manuel d'utilisation et votre reçu de caisse pour référence future.

COMMENT OBTENIR UN SERVICE

Veuillez contacter le distributeur pour votre province tel que listé sur la Liste de contact des distributeurs, ou appelez notre numéro sans frais au 1 800 459 9848 pour être dirigé vers un Agent de service Blomberg.

¡Lea este manual antes de utilizar el frigorífico!

Estimado cliente,

Deseamos que use nuestro producto, que hemos fabricado en instalaciones modernas con cuidado y con meticulosos controles de calidad.

Así, le aconsejamos que lea todo el manual de instrucciones antes de utilizar el aparato. En caso de que el aparato cambie de manos, no olvide facilitar esta guía al nuevo propietario junto al aparato.

Esta guía le ayudará a utilizar su frigorífico de forma rápida y segura.

- Por favor, lea el manual de instrucciones con cuidado antes de instalar y poner en funcionamiento el aparato.
- Siga siempre las instrucciones de seguridad correspondientes.
- Mantenga el presente manual del usuario al alcance de la mano para su futura consulta.
- Por favor, lea los otros documentos incluidos con el aparato.

Tenga en cuenta que este manual de instrucciones puede servir para varios modelos del producto. Esta guía indica claramente cualquier variación de diferentes modelos.

	Información importante o consejos útiles.
	Riesgo para la vida y la propiedad.
	Existe riesgo de descargas eléctricas.
	El embalaje del producto está compuesto de materiales reciclables, de acuerdo con la Legislación Nacional sobre Medio Ambiente.

1 Instrucciones importantes para la seguridad y el medio ambiente 3

1.1 Seguridad general	3
1.1.2 Advertencia sobre la seguridad y la salud	4
1.1.3 Para aparatos equipados con dispensador de agua	4
1.2 Finalidad prevista	5
1.3 Seguridad infantil	5
1.4 Conformidad con la normativa WEEE y eliminación del aparato al final de su vida útil:	5
1.5 Cumplimiento de la directiva RoHS:	5
1.6 Información sobre el embalaje	5

2 El frigorífico 7

3 Instalación 8

3.1 Ubicación adecuada para la instalación.	8
3.2 Instalación de las cuñas de plástico	8
3.3. Conexión eléctrica	8
3.4. Ajuste de los pies.	9
3.5. Lámpara de iluminación	9
3.6. Aviso de puerta abierta.	9
3.7. Conexión de agua	9
3.7.1 Antes de la instalación	10
3.8. Conexión de la manguera de agua al frigorífico	10
3.9. Conectar el agua al frigorífico al suministro de agua	10
3.10 Filtro de agua	10
3.10.1 Colocación del filtro interno en el frigorífico	10
3.11 Antes de usar el dispensador de agua/hielo	12
3.12 Transporte del producto	13

4 Preparación 14

4.1 Cosas a hacer para el ahorro de energía.	14
4.2 Recomendaciones para el compartimento de alimentos frescos.	14
4.3 Uso inicial	15

5 Manejo del aparato 19

5.1. Panel indicador	19
5.2 Doble sistema de refrigeración	20
5.3 Congelación de alimentos frescos.	20
5.4 Recomendaciones para la conservación de alimentos congelados	21
5.5 Colocar los alimentos	21
5.6 Información sobre la congelación	21
5.7 Retirada de los estantes de las puertas	23
5.8 Mover la rejilla de la puerta	23
5.9 Estantes de cristal	23
5.10. Compartimento de enfriamiento	23
5.11 Compartimento para frutas y verduras	24
5.12 Compartimento para verduras con control de humedad.	24
(FreSHelf)	24
5.13. Contenedor de hielo	24
5.14 Secciones de mantequillas y quesos	25
5.15. Huevera.	25
5.16 Sección central móvil	25
5.17. Luz azul.	25
5.18 Ion	25
5.19 Filtro de olores	26
5.20 Utilizar un dispensador de agua interno.	26
5.21 Dispensar agua	26
5.22 Utilización del dispensador de agua.	26
5.23 Limitaciones de peso de la estantería del frigorífico	27

6 Mantenimiento y limpieza 28

6.1 Evitar malos olores.	28
6.2. Protección de las superficies de plástico	28

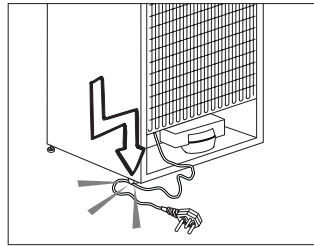
7 Resolución de problemas 29

1 Instrucciones importantes para la seguridad y el medio ambiente

Esta sección contiene instrucciones sobre seguridad que le ayudarán a protegerse de posibles riesgos de lesiones o daños a la propiedad. La no observancia de estas instrucciones invalidará la garantía.

1.1 Seguridad general

- Este aparato puede ser utilizado por niños de edades no inferiores a 8 años y personas con discapacidades físicas, sensoriales o mentales o con falta de experiencia o conocimientos, siempre que lo hagan acompañados de una persona adulta familiarizada con el uso seguro del aparato y los posibles riesgos. No permita a los niños jugar con el electrodoméstico. No permita a los niños realizar trabajos de limpieza o mantenimiento del aparato, si no es bajo la supervisión de un adulto.
- Desenchufe el aparato en caso de fallo de funcionamiento.
- Si el aparato presenta alguna anomalía, no lo use hasta que no haya sido reparado por un servicio técnico autorizado. Existe riesgo de descargas eléctricas.
- Conecte el aparato a un enchufe provisto de toma de tierra y protegido por un fusible conforme a los valores indicados en placa de características. Solicite a un electricista cualificado la instalación del sistema de conexión a tierra. Nuestra empresa no se hará responsable de daños provocados por el uso del aparato sin una toma de tierra conforme a las normativas locales.
- Desenchufe el aparato cuando no lo utilice.
- Jamás lave el aparato rociándolo con agua. Existe riesgo de descargas eléctricas.
- Nunca toque el enchufe con las manos húmedas. Nunca desenchufe el aparato tirando del cable, tire siempre del enchufe.
- Se recomienda limpiar regularmente la punta del enchufe con un paño seco.



- No enchufe el frigorífico si el enchufe no encaja con firmeza en la toma de corriente de la pared.
- No conecte el frigorífico a sistemas de ahorro de electricidad. Pueden ser perjudiciales para el aparato.
- Desenchufe el aparato durante los procedimientos de instalación, mantenimiento, limpieza y reparación.
- Deje siempre los procedimientos de instalación y reparación en manos del **servicio técnico autorizado**. El fabricante no se hará responsable de los posibles daños derivados de la realización de dichos procedimientos por parte de personas no autorizadas.
- No consuma los helados o cubitos de hielo inmediatamente después de sacarlos del compartimento congelador, ya que podría sufrir daños en su boca a causa del frío.
- No toque los alimentos congelados con las manos. Puede adherirse a la piel.
- No deposite bebidas embotelladas o enlatadas en el compartimento congelador. Podrían explotar.
- No utilice vapor o materiales de limpieza con vapor para limpiar descongelar el frigorífico. El vapor puede causar un cortocircuito o descargas eléctricas al entrar en contacto con las partes eléctricas del frigorífico.
- No utilice dispositivos mecánicos u otros medios para acelerar el proceso de descongelación distintos de los recomendados por el fabricante.
- No utilice nunca elementos del frigorífico tales como la puerta y el cajón como medio de sujeción o como escalón. Puede hacer que el aparato vuelque o dañe algunas de sus partes.

Instrucciones importantes para la seguridad y el medio ambiente

- Evite dañar el circuito del refrigerante con herramientas cortantes o de perforación. El refrigerante contenido en los canales de gas del evaporador, los conductos o los recubrimientos de las superficies puede causar irritaciones en la piel y lesiones en los ojos.
- No cubra ni bloquee los orificios de ventilación de su frigorífico con ningún material.
- Coloque las bebidas de mayor graduación alcohólica juntas y en posición vertical.
- No utilice pulverizadores con gas cerca del aparato, porque existe riesgo de incendio o explosión.
- No deposite nunca en el frigorífico productos inflamables o que contengan gases inflamables (p. ej. aerosoles).
- No coloque recipientes con líquidos sobre el aparato. Si el agua se vierte sobre un componente eléctrico, podría causar descargas eléctricas o un incendio.
- No guarde en el frigorífico productos (vacunas, medicamentos sensibles al calor, materiales científicos, etc.) que requieran un control preciso de la temperatura.
- Si no va a utilizar el aparato durante un periodo prolongado de tiempo, desenchúfelo y retire los alimentos de su interior.
- Si el aparato incorpora luz azul, no mire a la luz azul con herramientas ópticas.
- Desde el punto de vista de la seguridad eléctrica, es peligroso exponer el aparato a la lluvia, la nieve o el viento.
- En aparatos con control mecánico (termostato), espere un mínimo de 5 minutos antes de volver a enchufar el aparato, si ha sido desenchufado.
- No sobrecargue el aparato. Podrían caerse al abrir la puerta y causar lesiones o daños. Problemas similares pueden producirse si se colocan objetos sobre el aparato.
- Si la puerta del aparato está equipada con un tirador, no tire de él para cambiar deslizar el frigorífico. Podría soltarse.
- Tenga cuidado de que sus manos o cualquier otra parte de su cuerpo no queden atrapada por las piezas móviles del interior del aparato.

1.1.2 Advertencia sobre la seguridad y la salud




Si el sistema de refrigeración de su aparato contiene R600a:

Este gas es inflamable. Por lo tanto, procure no dañar el sistema de enfriamiento ni sus conductos durante el uso o el transporte del aparato. En caso de daños, mantenga el aparato alejado de fuentes potenciales de ignición que puedan provocar que éste sufra un incendio, y ventile la estancia en la que se encuentre el aparato.

Ignore esta advertencia si el sistema de refrigeración de su aparato contiene R134a.

El tipo de gas utilizado en el aparato se indica en la placa de datos ubicada en la pared interior izquierda del frigorífico.

Jamás arroje el aparato al fuego.

	Si el aparato está equipado con un sistema de refrigeración que contiene gas R134a, ignore esta advertencia.
	Puede ver qué gas se ha utilizado en la fabricación de su aparato en la placa de características ubicada en la parte interior izquierda.
	ADVERTENCIA: Jamás arroje el aparato al fuego.

1.1.3 Para aparatos equipados con dispensador de agua

- La presión en la entrada de agua fría será a un máximo de 90 psi (6.2 bar). Si la presión del agua es superior a 80 psi (5,5 bar), utilice una válvula limitadora de presión en el sistema de red. Si usted no sabe cómo controlar la presión del agua, pida la ayuda de un plomero profesional.
- Si hay riesgo de golpe de ariete en la instalación, siempre utilice un equipo de prevención contra golpes de ariete en la instalación. Consulte a un fontanero profesional si no está seguro de que no hay un efecto del golpe de ariete en la instalación.

Instrucciones importantes para la seguridad y el medio ambiente

- No instale en la entrada de agua caliente. Tome precauciones contra del riesgo de congelación en las mangueras. El intervalo de funcionamiento de la temperatura del agua debe ser un mínimo de 33°F (0.6°C) y un máximo de 100°F (38°C).
- Use agua potable únicamente.

1.2 Finalidad prevista

- Este aparato ha sido diseñado para uso doméstico. No es adecuado para un uso comercial y no debe dársele otros usos distintos del uso previsto.
- El aparato debe utilizarse solamente para guardar alimentos.
- El fabricante declina toda responsabilidad derivada de un uso o transporte incorrectos.
- La vida útil de su aparato es de 10 años. Durante este periodo estarán disponibles los recambios originales necesarios para que el aparato funcione adecuadamente.

1.3 Seguridad infantil

- Los materiales de embalaje son peligrosos para los niños. Guarde los materiales de embalaje en lugar seguro, lejos del alcance de los niños.
- Los aparatos eléctricos son peligrosos para los niños. Manténgalos alejados del aparato cuando esté en funcionamiento
- Si la puerta del aparato incorpora una cerradura, mantenga las llaves fuera del alcance de los niños.



PELIGRO: Riesgo de que los niños queden atrapados. Antes de deshacerse de su viejo frigorífico o congelador:

- Retire las puertas.
- Deje los estantes en su sitio para evitar que los niños puedan meterse en el frigorífico con facilidad.

1.4 Conformidad con la normativa WEEE y eliminación del aparato al final de su vida útil:



Este producto es conforme con la directiva de la UE sobre residuos de aparatos eléctricos y electrónicos (WEEE) (2012/19/UE). Este producto incorpora el símbolo de la clasificación selectiva para los residuos de aparatos eléctricos y electrónicos (WEEE).

Este aparato se ha fabricado con piezas y materiales de primera calidad, que pueden ser reutilizados y son aptos para el reciclado. No se deshaga del producto junto con sus los residuos domésticos normales y de otros tipos al final de su vida útil. Llévelo a un centro de reciclaje de dispositivos eléctricos y electrónicos. Solicite a las autoridades locales información acerca de dichos centros de recogida.

1.5 Cumplimiento de la directiva RoHS:

El producto que ha adquirido es conforme con la directiva de la UE sobre la restricción de sustancias peligrosas (RoHS) (2011/65/UE). No contiene ninguno de los materiales nocivos o prohibidos especificados en la directiva.

1.6 Información sobre el embalaje

- El embalaje del aparato se fabrica con materiales reciclables, de acuerdo con nuestro Reglamento Nacional sobre Medio Ambiente. No elimine los materiales de embalaje junto con los residuos domésticos o de otro tipo. Llévelos a un punto de recogida de materiales de embalaje designado por las autoridades locales.



PELIGRO: Riesgo de incendio o explosión. Se usa refrigerante inflamable. No use aparatos mecánicos para descongelar el frigorífico. Evite perforar los tubos de refrigerante.

Instrucciones importantes para la seguridad y el medio ambiente



PELIGRO: Riesgo de incendio o explosión. Se usa refrigerante inflamable. No use aparatos mecánicos para descongelar el frigorífico. Evite perforar los tubos de refrigerante.



PELIGRO: Riesgo de incendio o explosión. Se usa refrigerante inflamable. Consulte el manual de reparaciones o la guía del propietario antes de intentar reparar este producto. Es preciso observar todas las precauciones de seguridad.

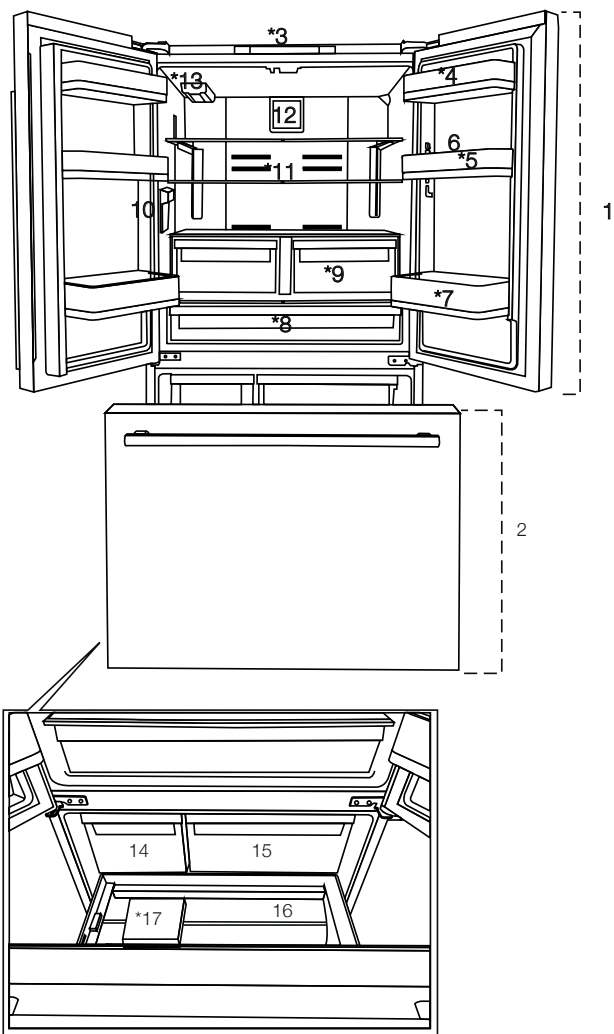


PELIGRO: Riesgo de incendio o explosión. Deshágase del aparato adecuadamente, según lo dispuesto por las normativas nacionales o locales. Se usa refrigerante inflamable.



PRECAUCIÓN:— Riesgo de incendio o explosión debido a la perforación de los tubos de refrigerante; siga las instrucciones cuidadosamente. Se usa refrigerante inflamable.

2 El frigorífico



- 1- Compartimento frigorífico
- 2- Compartimento ButFreezer
- 3- Pantalla/panel de indicación
- 4- Sección de mantequillas y quesos
- 5- Estante de la puerta del compartimento refrigerador
- 6- Bandeja para huevos
- 7- Estante para botellas
- 8- Compartimento de enfriamiento
- 9- Cajones de frutas y verduras

- 10- Dispensador de agua interno
- 11- Estante de vidrio regulable
- 12- Ventilador
- 13- Filtro de agua
- 14- Contenedor de hielo
- 15- Compartimento de almacenamiento de alimentos congelados (superior)
- 16- Compartimento de almacenamiento de alimentos congelados (superior)
- 17- Separador




Las ilustraciones de este manual son esquemáticas y podrían no corresponderse exactamente con su aparato. Si alguno de los elementos reflejados no se corresponde con el aparato que usted ha adquirido, entonces esas partes serán válidas para otros modelos.

3 Instalación

Deje la instalación del aparato en manos del servicio técnico autorizado más cercano. De modo que el frigorífico esté preparado para su utilización, asegúrese de que la instalación eléctrica sea apropiada antes de llamar al servicio técnico autorizado. En caso contrario, solicite a un electricista cualificado la realización de los trabajos necesarios.


	La preparación de la ubicación y la instalación eléctrica son responsabilidad del cliente.
	El aparato no debe estar enchufado durante la instalación. De lo contrario, ¡podría sufrir lesiones graves o mortales!.
	ADVERTENCIA: La instalación y las conexiones eléctricas del aparato deben dejarse en manos de servicio técnico autorizado. El fabricante no se hará responsable de los posibles daños derivados de la realización de dichos procedimientos por parte de personas no autorizadas.
	ADVERTENCIA: Antes de proceder a la instalación, compruebe visualmente si el aparato presenta algún defecto. En caso afirmativo, no lo instale. Los aparatos dañados pueden poner en peligro su seguridad.
	Asegúrese de que el cable de alimentación no que atrapado o aplastado mientras empuja el aparato a su posición tras la instalación o limpieza.

3.1 Ubicación adecuada para la instalación

	ADVERTENCIA: Si la puerta de la habitación en la que se va a instalar el aparato es demasiado pequeña, deberá desmontar las puertas del aparato e inclinarlo lateralmente para que pase por la puerta.
--	---

- Elija un lugar en el que pueda usar el aparato con comodidad.
- Instale el aparato a una distancia no inferior de 30 cm de fuentes de calor como placas, hornos, radiadores y estufas y una distancia no inferior a 5 cm de cualquier horno eléctrico. No instale el aparato en estancias húmedas o expuestas a la luz solar directa.

- Para lograr un funcionamiento eficiente, el aparato debe instalarse en una zona que disponga de una ventilación adecuada. Si va a colocar el aparato en un hueco de la pared, no olvide dejar una distancia mínima de 5 cm con respecto al techo y las paredes laterales.
- No coloque el aparato sobre objetos tales como alfombras o moquetas.
- Coloque el aparato sobre una superficie lisa para evitar sacudidas.
- No instale el aparato en lugares en donde la temperatura pueda ser inferior a 10°C /50°F.

	En caso de que vaya a instalar dos frigoríficos uno al lado del otro, debe dejar una separación no inferior a 4 cm entre ellos.
---	---

3.2 Instalación de las cuñas de plástico

Las cuñas de plástico se utilizan para crear la distancia para la circulación del aire entre el aparato y la pared trasera. Coloque las dos cuñas de plástico en la cubierta de ventilación trasera, como se muestra en la figura. Para ello, retire los tornillos de la cubierta y utilice los tornillos que encontrará en la bolsa de las cuñas.

3.3 Conexión eléctrica

Conecte el aparato a un enchufe provisto de toma de tierra y protegido por un fusible conforme a los valores indicados en placa de características. Nuestra empresa no se hará responsable de daños provocados por el uso del aparato sin una toma de tierra conforme a las normativas locales.

- Las conexiones eléctricas deben cumplir con las normativas nacionales.
- Tras la instalación, el enchufe del cable de alimentación debe quedar al alcance de la mano.
- La tensión y la protección por fusible o disyuntor permitida se indican en la placa de características, que se encuentra adherida en el interior del aparato. Si el valor actual del fusible o disyuntor de la vivienda no cumple con el valor de la placa de características, solicite a un electricista cualificado la instalación de un fusible adecuado.
- La tensión especificada debe corresponder a la tensión de la red eléctrica.

Instalación

- No utilice cables de extensión ni enchufes múltiples para realizar la conexión eléctrica.



ADVERTENCIA: Deje en manos de un servicio técnico autorizado la sustitución de un cable de alimentación dañado.



ADVERTENCIA: Si el aparato presenta alguna anomalía, no lo use hasta que no haya sido reparado por un servicio técnico autorizado. ¡Existe riesgo de descargas eléctricas!

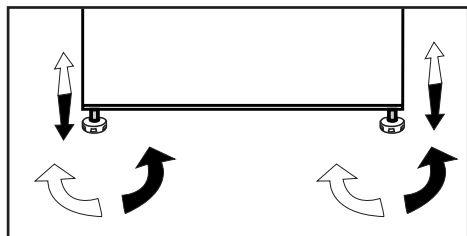
3.4. Ajuste de los pies

Si el aparato no queda equilibrado tras su instalación, ajuste las pies. Le será más fácil realizar esta operación si le pide a alguien que levante ligeramente el frigorífico.



ADVERTENCIA: En primer lugar, desenchufe el frigorífico. Mantenga el aparato desenchufado mientras ajusta los pies. ¡Existe riesgo de descargas eléctricas!

Gire los pies delanteros para equilibrar el aparato. La esquina correspondiente al pie que está manipulando descenderá al girar el pie en la dirección de la flecha y se elevará al girarlo en la dirección opuesta.

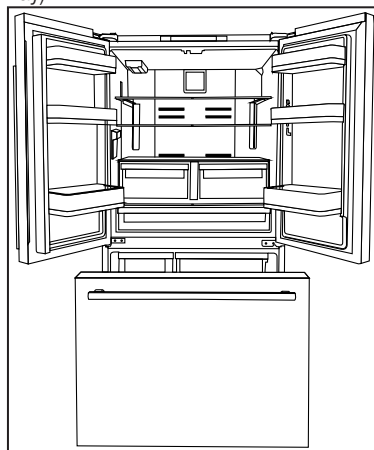


3.5. Lámpara de iluminación

No intente realizar la reparación usted mismo; llame a un servicio técnico autorizado si las lámparas LED no se iluminan o no funcionan. La(s) luz(ces) usadas en este aparato no son aptas para la iluminación de las habitaciones del hogar. El fin previsto de la luz es ayudar al usuario a colocar alimentos en el frigorífico/congelador de una manera segura y cómoda.

3.6. Aviso de puerta abierta (Esta función puede variar dependiendo de la puerta del electrodoméstico y es posible que no exista en algunos modelos.)

El frigorífico emitirá una señal acústica de aviso cuando la puerta del aparato permanezca abierta durante 1 minuto. Esta advertencia quedará silenciada cuando se cierre la puerta o se pulse cualquiera de los botones de la pantalla (si los hay).



3.7 Conexión de agua

Dependiendo del modelo del frigorífico, puede conectarlo a un recipiente o a una conexión de agua. En primer lugar, conecte la manguera del agua al frigorífico.



Si utiliza un recipiente, deberá utilizar una bomba separada.



ADVERTENCIA: Si utiliza una bomba con el frigorífico, deberán estar desenchufados durante la conexión.



Las piezas siguientes pueden no estar incluidas con el aparato, porque no son necesarias cuando se utiliza un recipiente.

Compruebe que se hayan incluido las piezas siguientes con el aparato:

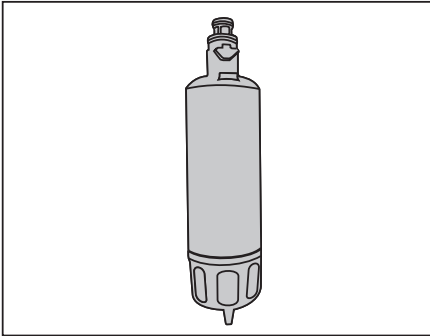
Filtro de agua externo. (Si hay una conexión a recipiente, no es necesario usar un filtro de agua.)

Instalación

3.7.1 Antes de la instalación

Asegúrese de que tiene todo lo necesario para garantizar la correcta instalación antes de proceder, incluyendo:

El aparato incluye un filtro de agua interno para usarlo dentro de la nevera. El número de pieza del filtro es 4918450200 y puede usarlo cuando solicite filtros de recambio.



3.8. Conexión de la manguera de agua al frigorífico

1. Inserte la unión (B) en la manguera del agua (A).
2. Empuje la manguera del agua hacia abajo con fuerza para que se introduzca en la válvula de entrada de agua (C).
3. Apriete el racor (C) manualmente para fijarlo en la manguera de entrada de agua.



Normalmente, no se necesita una herramienta para apretar el racor. Sin embargo, puede utilizar una llave o alicate para apretar el racor si hay una fuga.

3.9 Conectar el agua al frigorífico al suministro de agua

Conectela línea de agua al frigorífico a una válvula de suministro. En caso de que no haya esta válvula no esté presente o si tiene alguna duda, consulte a un fontanero cualificado.

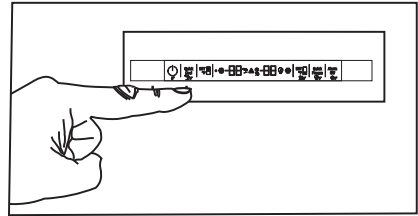
3.10 Filtro de agua

(en algunos modelos)

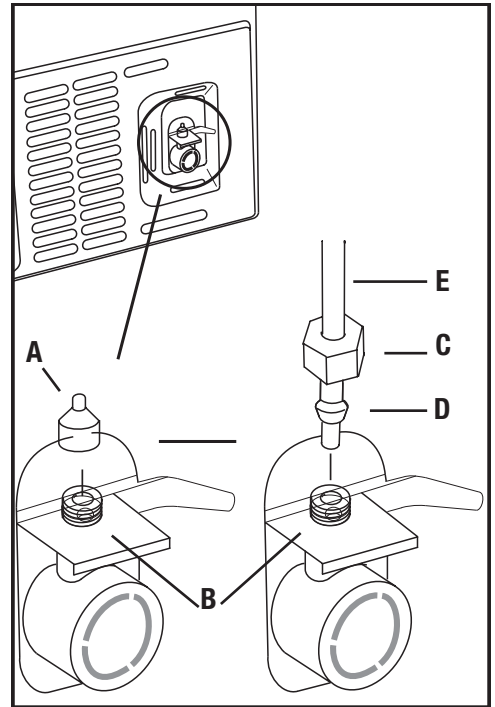
Su frigorífico puede estar equipado con un filtro interno o externo, dependiendo del modelo. Para la instalación del filtro de agua, siga las siguientes

instrucciones y consulte las correspondientes ilustraciones:

3.10.1 Colocación del filtro interno en el frigorífico



1. Tire del filtro de agua con cuidado.
2. Retire la tapa de derivación del filtro de agua girándola hacia abajo.



Instalación



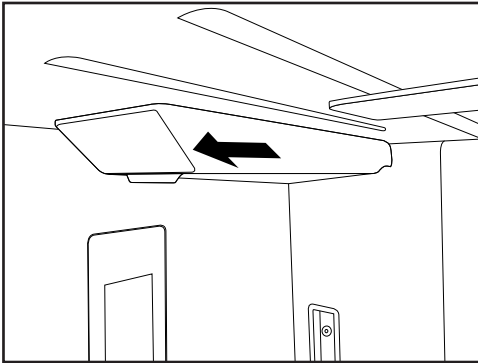
ADVERTENCIA: Asegúrese de que el modo "Ice Off" (no hielo) esté activado antes de retirar la cubierta de derivación.



Es normal que tras retirar la cubierta se produzca un ligero goteo.

3. Apoye la tapa del filtro de agua en el mecanismo y empuje hacia delante para colocarla en su posición.

4. Pulse el botón **"Ice Off"** (no hielo) en la pantalla para salir de este modo.



ADVERTENCIA: Asegúrese de que el modo "Ice Off" (no hielo) esté activado antes de retirar la cubierta de derivación.



Es normal que tras retirar la cubierta se produzca un ligero goteo.

3. Apoye la tapa del filtro de agua en el mecanismo y empuje hacia delante para colocarla en su posición.

4. Pulse el botón **"Ice Off"** (no hielo) en la pantalla para salir de este modo.



El filtro de agua debe sustituirse cada 6 meses. Cuando sustituya el filtro de agua, o si no va a utilizarlo de nuevo, retírelo como se muestra en la figura e instale la tapa de derivación. Asegúrese de que el modo "Ice Off" (no hielo) está activo antes de retirar el filtro de agua.



ADVERTENCIA: El filtro de agua sirve para eliminar algunas partículas extrañas del agua. No purifica el agua de microorganismos.



ADVERTENCIA: El botón **Ice Off** (no hielo) debe estar siempre pulsado durante la operación de sustitución del filtro de agua o la instalación de la tapa de derivación.



ADVERTENCIA: Desenchufe el aparato durante la sustitución del filtro.

3.11 Antes de usar el dispensador de agua/hielo

- Si la presión del agua es inferior a 1 bar o si se utilizará un recipiente, debe utilizarse una conexión aparte.
- El sistema de agua del frigorífico debe conectarse al conducto del agua fría. **No debe conectarse al conducto del agua caliente.**
- Es posible que el dispensador no suministre agua al utilizar por primera vez el frigorífico. Ello se debe a la presencia de aire en el sistema. Para descargar el aire del sistema, pulse la palanca del dispensador en periodos de 1-2 minutos hasta que salga agua por el dispensador. Al principio puede que el flujo de agua sea irregular. Cuando haya descargado el aire del sistema, el agua fluirá con normalidad.
- Durante el uso inicial, deberá esperar aproximadamente 12 hasta que el agua se enfríe.
- Se necesitarán aproximadamente 1-2 días para que el sistema produzca la cantidad necesaria de hielo.
- La presión de la red de suministro de agua debe ser de entre 1 y 8 bar para que el dispensador de agua/hielo funcione con normalidad. Para comprobar este extremo, vea si puede llenar un vaso de agua (200 cc) en 10 segundos.
- Los primeros diez vasos de agua no deben beberse.
- El agua de los primeros vasos puede estar turbia cuando sea usada el filtro por primera vez. Por lo tanto, no consuma los primeros vasos de agua.
- Si no ha utilizado el dispensador de agua durante un periodo de tiempo prolongado, el agua de los dos primeros vasos podría estar caliente.
- Si se produce un corte de suministro o un fallo temporal con el frigorífico en funcionamiento, puede fundirse el hielo ligeramente, y volverá a congelarse. En ese caso, los cubitos de hielo podrían adherirse. Si el corte de suministro o el fallo se prolongan, el hielo puede fundirse y causar una fuga de agua. Si esto ocurriese, vacíe y limpie el recipiente del hielo.
- Los cubitos de hielo podrían adherirse si los deja en el recipiente durante mucho tiempo.
- La instalación del sistema de agua del frigorífico deberá ser realizada por el servicio técnico autorizado.
- Si el aparato va a conectarse a la red de suministro de agua, asegúrese de que sea agua potable.
- El sistema de agua de este aparato se ha diseñado para que funcione sólo con agua. No utilice bebidas, como refrescos y/o zumos, en el sistema de agua.
- Se recomienda desconectar la conexión de agua si no va a utilizar el frigorífico durante un periodo de tiempo prolongado, por ejemplo, si va a estar de vacaciones o por razones similares.
- No intente desmontar las piezas del conjunto del recipiente del hielo.

Instalación

- No intente limpiar el conjunto del recipiente del hielo sin retirarlo del frigorífico.
- Cuando sirva agua del dispensador, retire el vaso 1 segundo después de soltar el accionador. De este modo, no goteará el agua del sistema en la bandeja.

3.12 Transporte del producto

1. Desenchufe el aparato antes de su transporte.
2. Suelte las conexiones de agua.
3. Fije los estantes, accesorios, cajón de verduras, etc. en el interior del frigorífico con cinta adhesiva antes de volver a embalarlo.



Encinte el frigorífico una vez embalado con cinta gruesa o fíjelo con cuerdas resistentes. Siga las reglas de transporte que encontrará impresas en el propio embalaje.



Guarde el embalaje original para futuros traslados.



ADVERTENCIA: Los materiales de embalaje son peligrosos para los niños. Guarde los materiales de embalaje en lugar seguro, lejos del alcance de los niños.

4 Preparación

4.1 Cosas a hacer para el ahorro de energía



El aparato podría sufrir daños si se conecta a sistemas de ahorro de energía.

- No deje las puertas del frigorífico abiertas durante periodos largos de tiempo.
- No introduzca alimentos o bebidas calientes en el frigorífico.
- No sobrecargue el frigorífico. Se reducirá la capacidad de refrigeración si se obstaculiza la circulación del aire en el interior.
- No coloque el frigorífico en lugares expuestos a la luz solar directa. Instale el aparato a una distancia no inferior de 30 cm de fuentes de calor como placas, hornos, radiadores y estufas y una distancia no inferior a 5 cm de cualquier horno eléctrico.
- Procure conservar los alimentos en el frigorífico en recipientes cerrados.
- Puede cargar la cantidad máxima de alimentos en el compartimento del congelador retirando el estante del cajón. El valor del consumo de energía declarado del frigorífico se ha determinado con el estante o cajón del compartimento congelador retirado y con la carga máxima de alimentos. No existe ningún riesgo en la utilización de un estante o cajón adecuado para las formas o tamaños de los alimentos que se van a congelar.
- Descongele los alimentos congelados en el compartimento frigorífico; ahorrará energía y preservará la calidad de los alimentos.



La temperatura ambiente de la estancia donde instale el frigorífico no será inferior a 10°C /50°F No se recomienda utilizar el frigorífico en condiciones más frías.



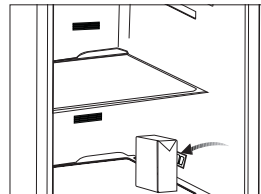
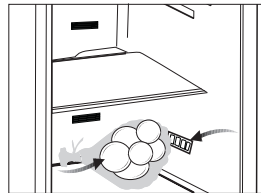
Limpe a conciencia el interior del frigorífico.



En caso de que vaya a instalar dos frigoríficos uno al lado del otro, debe dejar una separación no inferior a 4 cm entre ellos.

4.2 Recomendaciones para el compartimento de alimentos frescos

- No permita que los alimentos estén en contacto con el sensor de temperatura del compartimento de alimentos frescos. Para que el compartimento de alimentos frescos mantenga la temperatura ideal de conservación, evite que los alimentos obstruyan el sensor de temperatura.
- No deposite alimentos o bebidas calientes en el interior del frigorífico.



4.3 Uso inicial

Antes de empezar a utilizar este aparato, compruebe que se han realizado todas las preparaciones indicadas en las secciones "Instrucciones importantes sobre seguridad" e "Instalación".

- Limpie el interior del frigorífico de la forma recomendada en la sección "Mantenimiento y Limpieza". Compruebe que el interior esté seco antes de comenzar a utilizarlo.
- Enchufe el frigorífico a una toma de corriente dotada de toma de tierra. Cuando se abre la puerta, la luz interior se enciende.
- Mantenga el frigorífico en funcionamiento durante 6 horas sin alimentos en su interior y no abra la puerta si no es estrictamente necesario.



Se oye un ruido cada vez que el compresor se pone en funcionamiento. Los líquidos y los gases contenidos en el sistema de refrigeración pueden también generar ruidos, incluso aunque el compresor no esté funcionando, lo cual es normal.



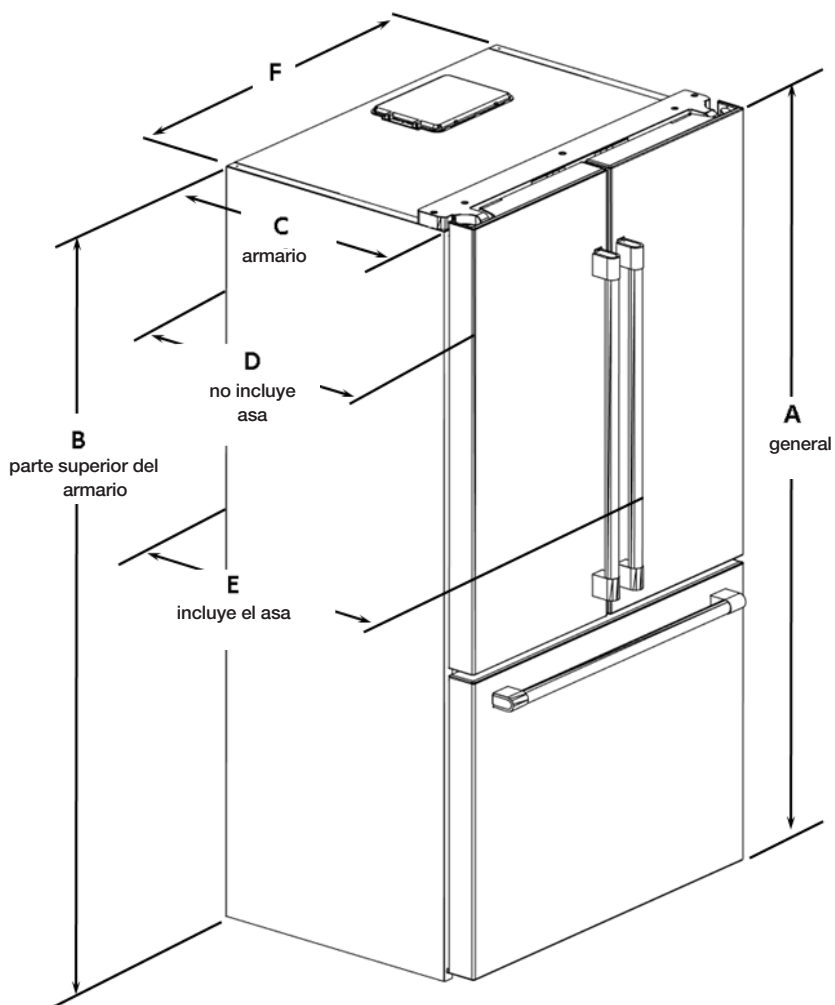
Es posible que las aristas delanteras del aparato se noten calientes al tacto, Esto es normal. Estas zonas deben permanecer calientes para evitar la condensación.

Preparación

DIMENSIONES

[36" FRIGORÍFICO FRANCÉS]

DIMENSIONES DEL PRODUCTO

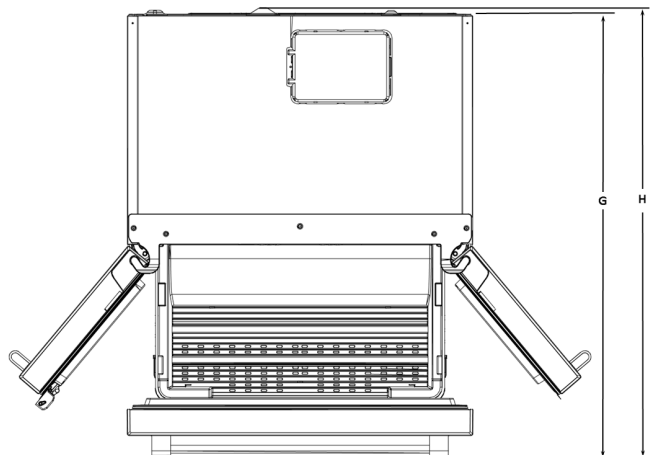


Preparación

DIMENSIONES

[36" FRIGORÍFICO FRANCÉS]

Indicador de apertura máxima de la puerta del congelador (Cajón)



Altura-general «A»	Altura-Parte superior de la caja «B»	Caja fonda sólo «C» «O»	Profundidad-Sin asas «D»
1771mm (69,72")	1710mm (67,32")	600mm (23,62")	680,5mm (26,79")
Profundidad-ConAsas «E»	Anchura-Armario "F"	Profundidad-cajónabierto «G»	Profundidad total-cajónabierto «H»
737mm (29,01")	908mm (35,74")	1157mm (45,55")	1178mm (46,40")
Profundidad-Puertas abiertas90° «I»	Profundidad total-puertas abiertas90°«J»	Anchura-Puertas abierta Abiertas90°conAsas «K»	Anchura-Puertas abiertas 90° Desde el armario hasta el asa «L»
1072,6 mm (42,22")	1094mm (43,07")	1059,2mm (41,70")	75,6mm (2,97")
Anchura-Puertas abiertas 130° desde el asa hasta el asa «M»	Anchura-Puertas 3 por 130°-Desde el armario hasta el asa «N»	Las puertas fondas abren hasta 130° «p»	Las puertas fondas abren hasta 130° «p»
1530.2mm(41,70")	311,2mm (12,25")	391mm (15,9")	991mm (39,1")

Espacio mínimo en la parte superior: 2 pulgadas

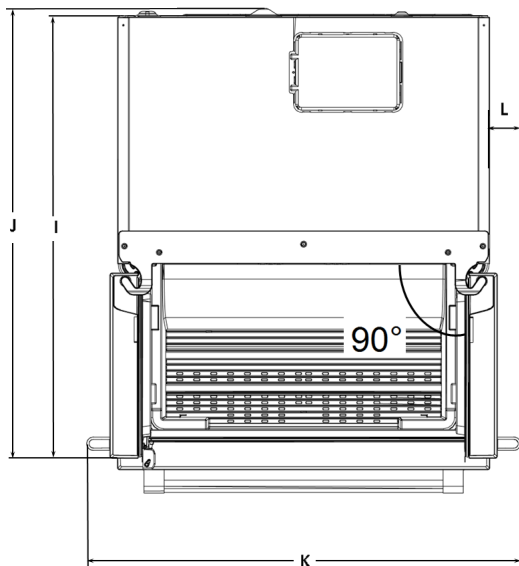
Espacio mínimo en los laterales: 2 pulgadas

Preparación

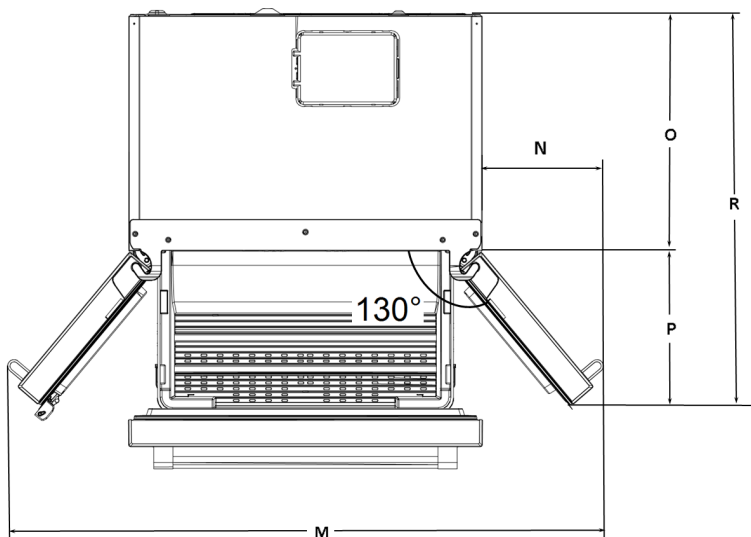
DIMENSIONES

[36" FRIGORÍFICO FRANCÉS]

La puerta para alimentos frescos abre hasta 90°



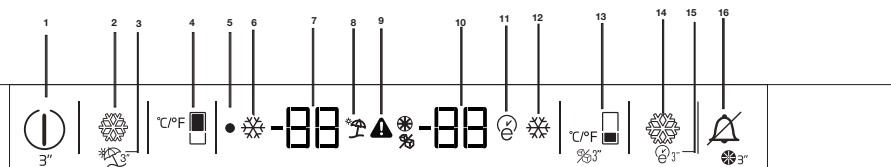
La puerta para alimentos frescos abre hasta 130° (Máx)



5 Manejo del aparato

5.1. Panel indicador

El panel indicador de control táctil le permite ajustar la temperatura y controlar las demás funciones relacionadas con el aparato sin necesidad de abrir la puerta del frigorífico. Basta con pulsar el botón correspondiente para ajustar la temperatura.



1-Función de encendido/apagado:

Mantenga pulsado el botón de encendido/apagado durante 3 segundos para encender o apagar el frigorífico.

2-Función de refrigeración rápida

Al pulsar el botón de refrigeración rápida, la temperatura del compartimiento descenderá por debajo del valor fijado.

Esta función puede utilizarse para enfriar con rapidez alimentos depositados en el compartimento frigorífico.

Si desea enfriar grandes cantidades de alimentos frescos, se recomienda activar esta función antes de depositar los alimentos en el frigorífico. El indicador de refrigeración rápida permanecerá encendido mientras la función de refrigeración rápida esté activa. Para cancelar esta función pulse nuevamente el botón de refrigeración rápida. El indicador de refrigeración rápida se apagará y el electrodoméstico volverá a sus valores normales.

Si no cancela manualmente la función de refrigeración rápida, ésta se cancelará automáticamente transcurridas dos horas o bien una vez el compartimento frigorífico alcance la temperatura deseada. En caso de corte del fluido eléctrico, esta función no se activará automáticamente al restablecerse el suministro eléctrico.

3-Función de vacaciones

Pulse el botón de refrigeración rápida/vacaciones y manténgalo pulsado durante 3 segundos para activar la función Vacaciones. El icono se iluminará cuando la función esté activa. La función se desactiva al volver a mantener el mismo botón pulsado durante 3 segundos o al pulsar el botón de ajuste del frigorífico.

4- Botón de ajuste del frigorífico

Esta función le permite ajustar la temperatura del compartimento frigorífico. Pulse este botón para ajustar la temperatura del compartimento frigorífico a 47, 45, 43, 41, 39, 37, 35 o 33 °C respectivamente.

5-Indicador de apagado

El indicador de apagado se ilumina cuando el frigorífico está apagado.

6-Indicador de refrigeración rápida

Este icono se ilumina cuando función de refrigeración rápida está activa.

7-Indicador de ajuste de temperatura del compartimento frigorífico

Indica la temperatura ajustada para el compartimento frigorífico.

8-Indicador de la función de vacaciones

Este icono se ilumina cuando función de vacaciones está activa.



Las ilustraciones de este manual son esquemáticas y podrían no corresponderse exactamente con su aparato. Si alguno de los elementos reflejados no se corresponde con el aparato que usted ha adquirido, entonces esas partes serán válidas para otros modelos.

Funcionamiento del aparato

9- Indicador de error de temperatura / aviso de error

Este icono se enciende en caso de fallo de alta temperatura o aviso de error.

10- Compartimento congelador

Indicador de ajuste de temperatura Indica la temperatura ajustada para el compartimento congelador.

11- Indicador eco-extra

El indicador de Eco-Extra se ilumina cuando la función Eco Extra está activa.

12- Indicador de congelación rápida

Este icono se ilumina cuando función de congelación rápida está activa.

13- Función de ajuste del congelador

Esta función le permite ajustar la temperatura del compartimento congelador. Pulse este botón para ajustar la temperatura del compartimento congelador a 0, -2, -4, -6, -8, -10 y -12, respectivamente.

14- Indicador de congelación rápida

El indicador de congelación rápida se ilumina cuando la función de congelación rápida está activa. Para cancelar esta función pulse de nuevo el botón de congelación rápida. El indicador de congelación rápida se apagará y el frigorífico volverá a sus valores normales. Si no cancela manualmente la función de congelación rápida, ésta se cancelará automáticamente transcurridas cuatro horas o bien una vez el compartimento congelador alcance la temperatura deseada.

Si desea congelar grandes cantidades de alimentos frescos, pulse el botón de congelación rápida antes de introducir los alimentos en el compartimento congelador. Si pulsa el botón de congelación rápida repetidamente a intervalos breves, se activará inmediatamente la protección del circuito electrónico.

En caso de corte del fluido eléctrico, esta función no se activará automáticamente al restablecerse el suministro eléctrico.

15- Función Eco-Fuzzy (modo especial de ahorro)

Mantenga el botón de congelación rápida/Eco Extra pulsado durante 3 segundos para activar la función Eco Extra. El frigorífico comenzará a funcionar en el modo más económico durante un mínimo de 6 horas y el indicador de uso económico se iluminará cuando esta función esté activa. Pulse de nuevo el botón de congelación rápida y manténgalo pulsado durante 3 segundos para desactivar la función Eco Fuzzy.

16- Desconexión de la alarma

Cuando la puerta del frigorífico se mantenga abierta durante 2 minutos o en caso de corte del fluido eléctrico, sonará una señal acústica. La señal acústica puede apagarse pulsando el botón "Desactivar señal acústica".

La señal acústica de fallo de sensor no sonará hasta la interrupción de la corriente eléctrica. Si cierra la puerta y la vuelve a abrir, la señal acústica de puerta abierta se activará de nuevo 2 minutos más tarde.

5.2 Doble sistema de refrigeración

Este frigorífico está equipado con dos sistemas de enfriamiento separados para enfriar el compartimento de alimentos frescos y el compartimento del congelador. Así, el aire y el olor en el compartimento de alimentos frescos y el de los alimentos congelados no se mezclan. Gracias a estos dos sistemas de enfriamiento independientes, la velocidad de enfriamiento es muy superior a la de otros frigoríficos. Además, se obtiene un ahorro de energía adicional porque el deshielo se realiza individualmente.


5.3 Congelación de alimentos frescos

- Envuelva los alimentos o colóquelos en un recipiente tapado antes de ponerlos en el frigorífico.
- Los alimentos y bebidas calientes deben dejarse enfriar hasta alcanzar la temperatura ambiente antes de introducirlos en el frigorífico.

Funcionamiento del aparato

- Los alimentos que vaya a congelar deben ser frescos y estar en buen estado.
- Divida los alimentos en porciones basadas en las necesidades de consumo alimenticias de la familia.
- Empaquete los alimentos herméticamente para evitar que se sequen, incluso si van a guardarse durante poco tiempo.
- Los materiales utilizados para empaquetar alimentos deben ser a prueba de desgarrones y resistentes al frío, a la humedad, los olores, los aceites y los ácidos, y además deben ser herméticos. También deben estar bien cerrados y estar hechos de materiales fáciles de utilizar y aptos para su uso en congeladores.
- Consuma inmediatamente los alimentos recién descongelados. Nunca los vuelva a congelar.
- No congele cantidades demasiado grandes de una sola vez. La calidad de los alimentos se conserva mejor si la congelación alcanza su interior lo antes posible.
- Si se introducen alimentos calientes en el compartimento congelador, se obliga al sistema de enfriamiento a funcionar de forma continua hasta congelarlos totalmente.

5.4 Recomendaciones para la conservación de alimentos congelados

- Los alimentos congelados que ha adquirido deben almacenarse de acuerdo con las instrucciones de su fabricante respecto de la conservación en un compartimento congelador de  (4 estrellas).
- Si desea garantizar el mantenimiento de la calidad de los alimentos congelados proporcionada por el fabricante y por el comercio, tenga en cuenta lo siguiente:
 1. Coloque los paquetes de alimentos congelados en el congelador lo antes posible tras su compra.
 2. Asegúrese de que los contenidos del paquete tengan etiqueta y fecha.
 3. Compruebe si las fechas de consumo preferente y caducidad de los envases han vencido o no.

5.5 Colocar los alimentos

Estantes del compartimento congelador	Alimentos congelados diversos tales como carnes, pescados, helados, verduras, etc.
Huevera	Huevos
Estantes del compartimento frigorífico	Alimentos en cazuelas, platos cubiertos y recipientes cerrados
Estantes de la puerta del compartimento frigorífico	Alimentos o bebidas en envases pequeños (leche, zumos de frutas, cerveza, etc.)
Cajón de frutas y verduras	Verduras y frutas
Compartimento de alimentos frescos	Productos delicados (queso, mantequilla, embutidos, etc.)

5.6 Información sobre la congelación

Los alimentos deben congelarse lo más rápido posible con el fin de mantenerlos en las mejores condiciones de calidad.

Funcionamiento del aparato

Ajuste del compartimento congelador	Ajuste del compartimento frigorífico	Explicaciones
-18°C / 0°F	4°C / 39°F	Estos son los valores de uso recomendados.
-20°C / -4°F	3°C / 37°F	Se recomiendan estos valores cuando la temperatura ambiente rebasa los 30 °C.
Congelación rápida	4°C / 39°F	Se utiliza para congelar los alimentos rápidamente. El frigorífico volverá a su modo de funcionamiento previo una vez finalizado el proceso.
-24°C / -12°F	2°C / 35°F	Utilice estos ajustes si cree que el compartimento frigorífico no está suficientemente frío debido a las altas temperaturas ambientales o por la frecuente apertura y cierre de la puerta.
-15°C/5°F o más frío	Refrigeración rápida	Use esta función cuando deposite demasiados alimentos en el compartimento frigorífico o bien cuando precise enfriar sus alimentos con rapidez. Se recomienda activar la función de refrigeración rápida 4-8 horas antes de colocar los alimentos.

Temperatura de uso recomendada: FF: 4°C / 39°F Cong: -18°C / 0°F

Puede conservar la frescura de los alimentos frescos durante muchos meses (a temperaturas de -18 °C o menos en el congelador).



Consuma inmediatamente los alimentos recién descongelados, y en ningún caso los vuelva a congelar.



Divida los alimentos en porciones basadas en las necesidades de consumo de la familia.



Empaquete los alimentos herméticamente para evitar que se sequen, incluso si van a guardarse durante poco tiempo.

- Materiales necesarios para el empaquetado:
- Cinta adhesiva resistente al frío
- Etiquetas autoadhesivas
- Gomas elásticas
- Bolígrafo

Los materiales utilizados para empaquetar alimentos deben ser a prueba de desgarrones y resistentes al frío, la humedad, los olores, los aceites y los ácidos.

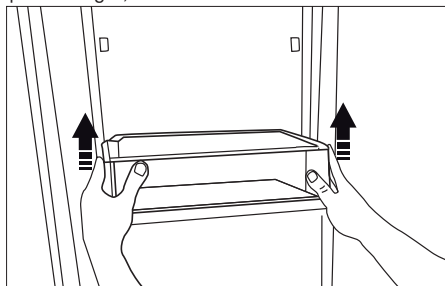
No deje que los alimentos entren en contacto con alimentos previamente congelados, con el fin de evitar que éstos puedan descongelarse parcialmente.

Funcionamiento del aparato

5.7 Retirada de los estantes de las puertas

Puede retirar los estantes de las puertas para limpiarlos. Empuje el estante hacia arriba para retirarlo.

No retire un estante que contenga alimentos. En primer lugar, vacíelo.



5.8 Mover la rejilla de la puerta

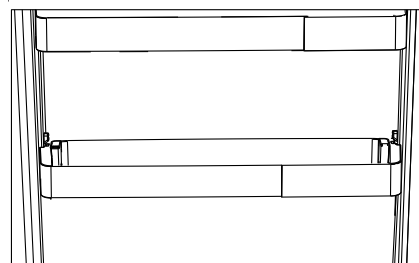
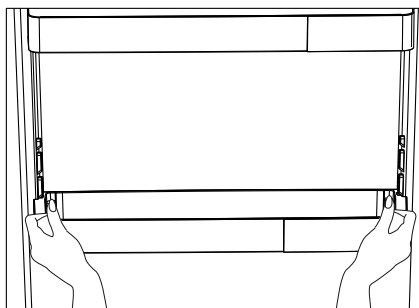
*opcional

La estantería móvil de la puerta puede fijarse en 3 posiciones diferentes.

Pulse los botones que se muestran a los lados de la misma manera para mover la estantería. La rejilla será móvil.

Mueva el estante hacia arriba o hacia abajo.

Cuando la rejilla esté en la posición que desee, suelte los botones. Debe fijar la estantería en la posición donde suelte los botones.



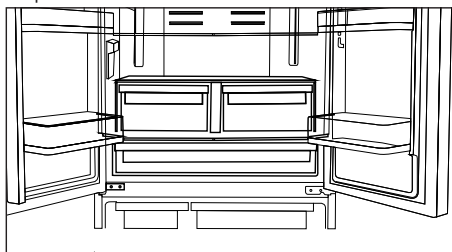
5.9 Estantes de cristal

Puede retirar los estantes de cristal para limpiarlos. Tenga cuidado al retirarlos porque son muy pesados.

5.10. Compartimento de enfriamiento (en algunos modelos)

Los compartimentos de enfriamiento le permiten preparar los alimentos para su congelación. También puede utilizar estos compartimentos para almacenar alimentos a temperaturas un poco inferiores a la del compartimento frigorífico. Puede aumentar el volumen interior del frigorífico retirando cualquiera de los compartimentos de enfriamiento:

1. Tire del compartimento hacia usted hasta que haga tope.
2. Levante el compartimento aproximadamente 1 cm y tire hacia usted para retirarlo de su soporte.



Funcionamiento del aparato

5.11 Compartimento para frutas y verduras

El cajón de frutas y verduras de su frigorífico está especialmente diseñado para mantener la frescura de sus vegetales sin que pierdan su humedad natural. Con este fin, alrededor del cajón de frutas y verduras se intensifica la circulación de aire frío. Antes de retirar los cajones de frutas y verduras, quite los estantes de las puertas que se apoyan contra ellos.

5.12 Compartimento para verduras con control de humedad

(FreSHelf)

(Característica opcional)

Los niveles de humedad de las frutas y de las verduras se mantienen bajo control con la función del cajón de frutas y verduras con control de humedad y se garantiza que los alimentos se mantengan frescos por más tiempo.

Le recomendamos colocar las verduras de hoja, tales como lechuga, espinaca y aquellas hortalizas sensibles a la pérdida de humedad, en posición horizontal en la medida de lo posible, dentro del cajón, no sobre sus raíces en posición vertical.

Mientras se guardan las frutas y verduras, tenga en cuenta su peso específico. Las frutas y verduras más duras y pesadas deben colocarse en el fondo del cajón y aquellas más blandas y livianas deben ubicarse arriba.

Nunca deje las hortalizas dentro del cajón de frutas y verduras en sus bolsas. Si las hortalizas se dejan dentro de sus bolsas, se descompondrán en un breve período de tiempo. En caso de que no desee que las frutas y verduras estén en contacto entre sí por cuestiones de higiene, utilice un papel perforado, espuma u otros materiales de embalaje similares en lugar de una bolsa.

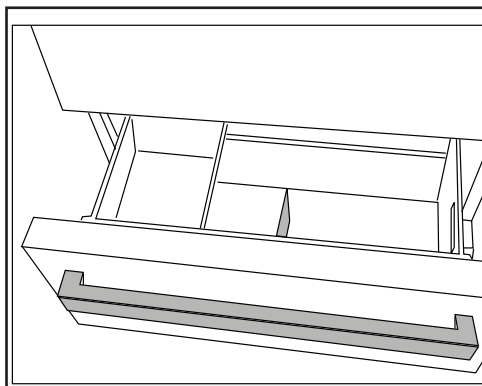
No coloque juntos peras, albaricoques, melocotones, etc. y manzanas, en particular, en el mismo cajón que otras frutas y verduras, ya que tienen un alto nivel de generación de gas etileno. El gas etileno emitido por estas frutas puede ocasionar que las otras frutas maduren más rápido y se echen a perder en poco tiempo.

5.13. Contenedor de hielo

La cubitera se usa para recoger los cubitos fabricados por el dispensador. No vierta agua en ella, ya que podría romperse. La cubitera no debe usarse para almacenar alimentos.



Puede que la máquina de hielo vierta cubos de hielo hasta que abra el recipiente de hielo.

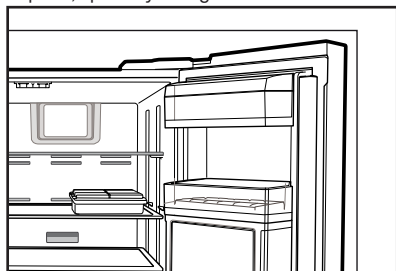


Funcionamiento del aparato

5.14 Secciones de mantequillas y quesos

(en algunos modelos)

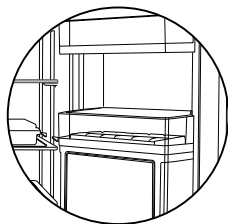
Conserve en esta sección alimentos como mantequilla, queso y margarina.



5.15. Huevera

Puede instalar la huevera en estante del cuerpo o la puerta que desee..

Nunca deposite la huevera en el compartimento congelador. .

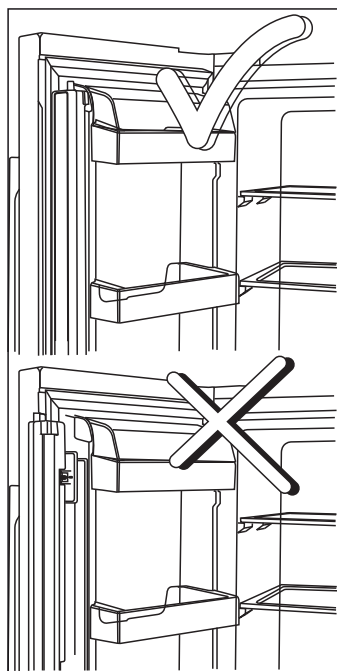


5.16 Sección central móvil

La sección central móvil tiene la función de evitar que el aire frío del interior de su refrigerador salga al exterior. Al cerrar las puertas del compartimento frigorífico, las juntas de las puertas crean un cierre hermético al hacer presión contra la superficie de la sección central móvil.



La sección central móvil está cerrada cuando se abre la puerta izquierda del compartimento frigorífico. La sección central móvil se mueve con la ayuda de la parte plástica del cuerpo durante el cierre de la puerta. No intente abrirla manualmente.



No cierre la puerta del refrigerador mientras el contenedor de almacenamiento giratorio esté abierto.



No sobrecargue el contenedor de almacenamiento giratorio.

5.17. Luz azul

(en algunos modelos)

Los cajones para verdura y frutas se iluminan en azul. El efecto de la longitud de onda de la luz azul hace que los alimentos almacenados en el cajón de frutas y verduras prolonguen su proceso de fotosíntesis, conservando de esta manera su frescura e incrementando su contenido vitamínico.

5.18 Ion

(en algunos modelos)

El aire se ioniza a través del sistema de ionización del conducto de aire del compartimento frigorífico. Gracias a este sistema, se eliminan las bacterias en el aire y las partículas que causan malos olores.

Funcionamiento del aparato

5.19 Filtro de olores

(en algunos modelos)

El filtro de olores presente en el conducto del aire del compartimento frigorífico evita la formación de olores desagradables en el frigorífico.

5.20 Utilizar un dispensador de agua interno

(en algunos modelos)

Después de conectar el frigorífico a la fuente de agua o sustituir el filtro de agua, enjuague el sistema de agua. Use un recipiente robusta y mantenga el dispensador de agua durante 5 segundos, luego suéltelo durante 5 segundos. Repítalo hasta que el agua empiece a fluir. Una vez que el agua empiece a fluir, siga pulsando y soltando la paleta del dispensador (5 segundos sí, 5 segundos no) hasta alcanzar un total de 4 galones. (15L) se han dispensado. Descargue aire del filtro y el sistema de dispensación de agua, y prepare el filtro para usarlo. Puede que se necesite más enjuague en algunos hogares. Dado que el aire se limpia en el sistema, puede que el agua salga a chorros del dispensador. Deje pasar 24 horas para que el frigorífico y el agua se enfríen. Dispense agua suficiente cada semana para mantener un suministro fresco.



Después de 5 minutos de dispensación continua, el dispensador dejará de dispensar agua para evitar inundaciones. Para seguir dispensando, pulse la paleta del dispensador de nuevo.

5.21 Dispensar agua

Ponga un recipiente debajo del grifo dispensador mientras pulsa la almohadilla del dispensador. Suelte la paleta para detener la dispensación.

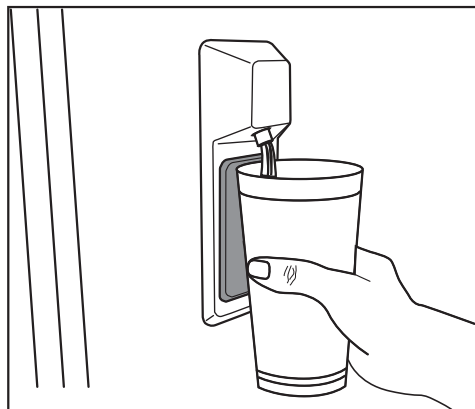


Es normal que los primeros vasos de agua servidos por el dispensador estén calientes.



Si no se usa el dispensador de agua durante un periodo de tiempo prolongado, no consuma los primeros vasos de agua.

Durante el uso inicial, deberá esperar aproximadamente 24 hasta que el agua se enfríe. Retire el vaso un poco tras tirar del accionador.



5.22 Utilización del dispensador de agua



Antes de usar el refrigerador después de sustituir el filtro de agua, el dispensador de agua puede soltar gotas de agua. Para evitar que el agua gotee o se filtre en el dispensador, por favor purgue el aire del sistema dispensando 5-6 galones (cerca de 20 litros) de agua a través del dispensador de agua antes del primer uso y cada vez que cambie el agua del filtro. Esto eliminará cualquier aire atrapado en el sistema y haga que deje de haber filtraciones en el dispensador de agua. Será necesario comprobar la posición del acoplador y la rectitud de la línea de agua en la parte posterior de la unidad si hay una obstrucción del flujo de agua.



Si el dispensador de agua filtra sólo unas pocas gotas de agua después de haber dispensado agua, esto es normal.

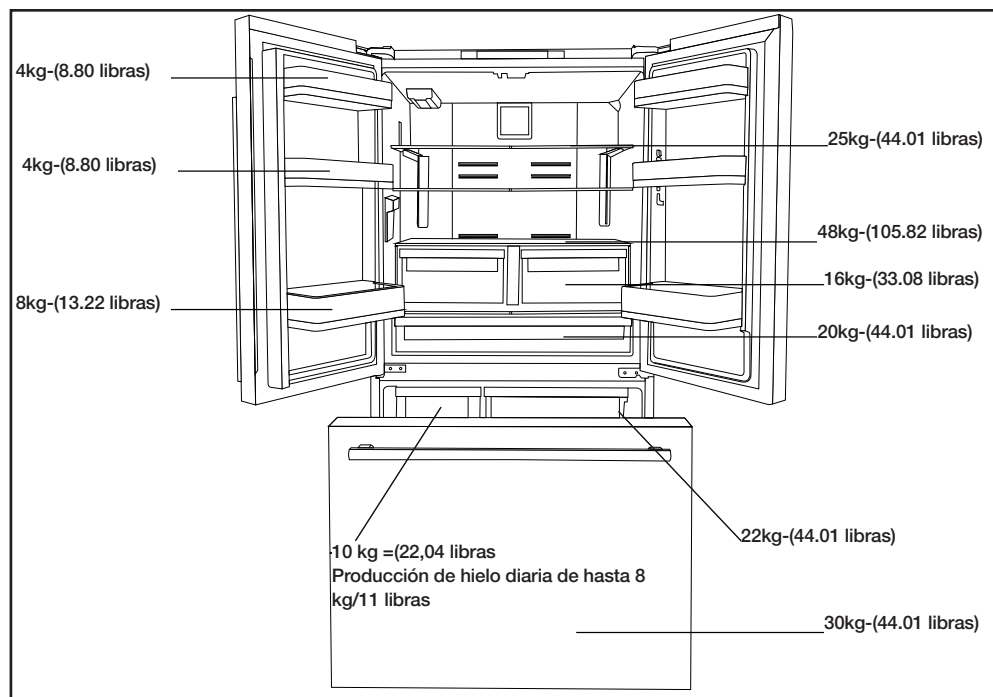
Funcionamiento del aparato

5.23 Limitaciones de peso de la estantería del frigorífico

Las estanterías cantilever del compartimento para alimentos frescos, aquellos que sólo tienen soportes traseros, se prueban para 25kg (55 libras) como máximo para cada parte.

El compartimento para frutas y verduras aguantará hasta 15kg (33 libras) para cada uno. La zona refrigerante aguantará hasta 20 kg (44 libras). Éstas son cargas dinámicas para el compartimento para frutas y verduras y la zona refrigerante.

El recipiente para hielo aguanta hasta 10kg (22 libras); es para usarlo sin hielo. El recipiente del congelador aguantará hasta 24kg (53 libras) y el cajón soportará hasta 30 kg (66 libras). Éstas son cargas dinámicas para los recipientes para hielo.



6 Mantenimiento y limpieza

La limpieza a intervalos regulares del aparato contribuye a prolongar su vida útil y a reducir la frecuencia de aparición de los problemas más comunes.



ADVERTENCIA: Desenchufe el aparato antes de limpiarlo.

- No utilice nunca gasolina, benceno o sustancias similares para la limpieza.
- No utilice para la limpieza herramientas afiladas o abrasivas, jabones, limpiadores domésticos, detergentes ni ceras abrillantadoras.
- Disuelva una cucharadita de carbonato en medio litro de agua. Empape un trapo en la solución y escúrralo. Limpie el interior del frigorífico con este trapo y seque a conciencia.
- Asegúrese de que no penetre agua en el alojamiento de la lámpara ni otros elementos eléctricos.
- Si no va a utilizar el frigorífico durante un periodo de tiempo prolongado, desenchúfelo, retire los alimentos del interior, límpielo y deje la puerta entreabierta.
- Compruebe con regularidad que las juntas de las puertas estén limpias. Si no lo están, límpielas.
- Para retirar la puerta y los estantes, retire todos sus contenidos.
- Retire los estantes de las puertas tirando de ellos hacia arriba. Tras limpiarlos, deslícelos de arriba hacia abajo para su colocación.

- Nunca use agentes de limpieza o agua que contengan cloro para limpiar las superficies exteriores y los cromados del producto. El cloro corroe dichas superficies metálicas.

6.1 Evitar malos olores

Nuestros frigoríficos no se fabrican con materiales que puedan producir olores. Sin embargo, una conservación inadecuada de los alimentos y la falta de limpieza de la superficie interior del frigorífico pueden dar lugar a un problema de olores. Preste atención a los siguientes puntos para evitar este problema:

- Es importante mantener limpio el frigorífico. Los restos de alimentos, manchas, etc. pueden causar olores. Por lo tanto, limpie el frigorífico con carbonato disuelto en agua cada 15 días. No utilice detergentes o jabón.
- Conserve los alimentos en recipientes cerrados. Los microorganismos que proliferan en los envases no cubiertos pueden causar malos olores.
- Retire del frigorífico los alimentos cuya fecha de caducidad haya vencido y en mal estado.

6.2. Protección de las superficies de plástico

No deposite aceites líquidos o alimentos aceitosos en recipientes no cerrados ya que dañarán las superficies de plástico de su frigorífico. Si se derramase aceite sobre las superficies de plástico, limpie y enjuague con agua caliente la parte afectada de inmediato.

7 Resolución de problemas

Le rogamos consulte la siguiente lista antes de llamar al servicio técnico. Puede ahorrarle tiempo y dinero. Esta lista incluye problemas frecuentes no achacables a defectos en materiales o manufactura. Es posible que algunas de las características mencionadas no estén presentes en su aparato.

El frigorífico no funciona.

- El enchufe no está insertado en la toma de corriente. >>> Inserte el enchufe con firmeza en la toma de corriente.
- El fusible principal o el fusible del enchufe al cual ha conectado el frigorífico están fundidos. >>> Compruebe el fusible.

Condensación en la pared lateral del compartimento frigorífico (MULTIZONA, CONTROL DE FRÍO y FLEXI ZONA).

- El ambiente es muy frío. >>> No instale el frigorífico en lugares en donde la temperatura pueda ser inferior a los 10 °C.
- La puerta se ha abierto con frecuencia. >>> No abra y cierre las puertas del frigorífico con frecuencia.
- El ambiente es muy húmedo. >>> No instale el frigorífico en lugares con una humedad muy alta.
- Se almacenan alimentos que contienen líquidos en recipientes abiertos. >>> Guarde los alimentos con contenidos líquidos en recipientes cerrados.
- La puerta se deja entreabierta. >>> No deje las puertas del frigorífico abiertas durante periodos largos de tiempo.
- El termostato está ajustado a un nivel muy bajo. >>> Ajuste el termostato a un nivel adecuado.

El compresor no funciona

- El dispositivo térmico protector del compresor saltará en caso de un corte súbito de energía o de idas y venidas de la corriente, ya que la presión del refrigerante en el sistema de enfriamiento aún no se ha estabilizado. Su frigorífico se pondrá en marcha transcurridos unos 6 minutos. Llame al servicio técnico si su frigorífico no se pone en marcha transcurrido ese periodo.
- El frigorífico se encuentra en el ciclo de descongelación. >>> Esto es normal en un frigorífico con descongelación automática. El ciclo de descongelación se produce de forma periódica.
- El aparato no está enchufado. >>> Asegúrese de que el enchufe esté colocado en la toma.
- La temperatura no se ha fijado correctamente. >>> Seleccione un valor de temperatura adecuado.
- Hay un apagón. >>> El frigorífico vuelve a operar con normalidad una vez restablecida la alimentación eléctrica.

El nivel de ruidos propios del funcionamiento se incrementa cuando el frigorífico está en marcha.

- El rendimiento del frigorífico puede cambiar en función de las variaciones en la temperatura ambiente. Esto es perfectamente normal, no es ninguna avería.

El frigorífico entra en funcionamiento con frecuencia o durante periodos prolongados.

Resolución de problemas

- Puede que su nuevo aparato sea más grande que el que tenía anteriormente. Los frigoríficos de mayor tamaño funcionan durante periodos de tiempo más largos.
- Puede que la temperatura ambiente sea alta. >>>Es normal que el aparato funcione durante periodos de tiempo más largos si hace calor.
- Puede que se haya enchufado el frigorífico o cargado con alimentos recientemente. >>> Cuando el frigorífico se ha enchufado o cargado con alimentos recientemente, le costará más alcanzar la temperatura fijada. Esto es normal.
- Es posible que recientemente haya depositado grandes cantidades de alimentos en el frigorífico. >>> No deposite alimentos calientes en el interior del frigorífico.
- Las puertas se abren con frecuencia o se han dejado entreabiertas por un tiempo prolongado. >>>El aire caliente que ha penetrado en el frigorífico hace que éste funcione durante más tiempo. No abra las puertas con frecuencia.
- Es posible que la puerta del compartimento frigorífico o congelador se haya dejado entreabierta. >>>Compruebe que las puertas estén completamente cerradas.
- El aparato está ajustado a una temperatura muy baja. >>>Ajuste la temperatura del frigorífico a un valor más alto y espere a que se alcance dicha temperatura.
- Es posible que la junta de la puerta del compartimento frigorífico o congelador esté sucia, desgastada, rota o no asentada correctamente. >>> Limpie o sustituya la junta. Una junta rota o dañada hace que el frigorífico funcione durante más tiempo con el fin de mantener la temperatura actual.

La temperatura del congelador es muy baja, mientras que la del frigorífico es correcta.

- La temperatura del congelador está ajustada a un valor muy bajo. >>> Ajuste la temperatura del congelador a un valor más alto y compruébelo.

La temperatura del frigorífico es muy baja, mientras que la del congelador es suficiente.

- La temperatura del frigorífico está ajustada a un valor muy bajo. >>> Ajuste la temperatura del frigorífico a un valor más alto y compruébelo.

Los alimentos depositados en los cajones del compartimento frigorífico se han congelado.

- La temperatura del frigorífico está ajustada a un valor muy alto. >>> Ajuste la temperatura del congelador a un valor más bajo y compruebe.

La temperatura del congelador o del frigorífico es muy alta.

- La temperatura del frigorífico está ajustada a un valor muy alto. >>> El valor de la temperatura del compartimento frigorífico afecta a la temperatura del congelador. Cambie las temperaturas del frigorífico o el congelador y espere hasta que los compartimentos pertinentes alcancen una temperatura suficiente.
- Las puertas se abren con frecuencia o se han dejado entreabiertas durante un tiempo prolongado. >>> No abra las puertas con frecuencia.
- La puerta está entreabierta. >>> Cierre la puerta del todo.
- El frigorífico se ha enchufado o se ha cargado de alimentos recientemente.>>> Esto es normal. Cuando el frigorífico se ha enchufado o cargado con alimentos recientemente, le costará más alcanzar la temperatura fijada.
- Es posible que recientemente haya depositado grandes cantidades de alimentos en el frigorífico. >>> No deposite alimentos calientes en el interior del frigorífico.

Vibraciones o ruidos.

Resolución de problemas

- El suelo no está nivelado o no es estable. >>> Si el frigorífico oscila al moverlo lentamente, equilibrelo ajustando los pies. Compruebe además que el suelo esté nivelado y que sea capaz de soportar el peso del frigorífico.
- Los objetos colocados sobre el frigorífico pueden hacer ruido. >>>Retire los elementos de la parte superior del frigorífico.

Pueden oírse ruidos como si un líquido fluyera, se pulverizara, etc.

- Los líquidos y gases fluyen en función de los principios de funcionamiento del frigorífico.>>> Esto es normal y no indica ninguna avería.

El frigorífico emite silbidos.

- Se utilizan ventilador para enfriar el frigorífico. Esto es perfectamente normal, no es ninguna avería.

Condensación en las paredes interiores del frigorífico.

- El tiempo cálido y húmedo favorece la formación de hielo y la condensación. Esto es perfectamente normal, no es ninguna avería.
- Las puertas se abren con frecuencia o se han dejado entreabiertas durante un tiempo prolongado. >>> No abra las puertas con frecuencia. Cíerrelas si están abiertas.
- La puerta está entreabierta. >>> Cierre la puerta del todo.

Hay humedad en el exterior del frigorífico o entre las puertas.

- Puede que haya humedad en el aire; es algo bastante normal en lugares húmedos.>>> Cuando el grado de humedad descienda, la condensación desaparecerá.
- Si se forma humedad en la zona entre las dos puertas del frigorífico, desactive el modo de «ahorro energético».

Mal olor en el interior del frigorífico.

- No se realiza ninguna limpieza regular. >>> Limpie el interior del electrodoméstico de forma regular con una esponja empapada en agua tibia o agua con gas.
- Es posible que el olor provenga de algún recipiente o envoltorio. >>>Utilice otro recipiente o materiales para envolver de una marca diferente.
- Se almacenan en el frigorífico alimentos en recipientes no cubiertos.>>>Mantenga los alimentos en contenedores cerrados. Los microorganismos que proliferan en los envases no cubiertos pueden causar malos olores.
- Retire del frigorífico los alimentos cuya fecha de caducidad haya vencido y estén en mal estado.

La puerta no cierra.

- Los paquetes de alimentos impiden que las puertas se cierren. >>> Recolecte los paquetes que estén obstruyendo la puerta.
- El frigorífico no se asienta completamente vertical sobre el suelo.>>>Ajuste los pies para equilibrar el frigorífico.
- El suelo no está equilibrado o no es sólido. >>> Compruebe además que el suelo esté nivelado y que sea capaz de soportar el peso del frigorífico.

Los cajones están atascados.

- Es posible que algún alimento toque el techo del cajón. >>>Cambie la distribución de los alimentos en el cajón.



ADVERTENCIA: Si las indicaciones de esta sección no le permiten solucionar el problema, póngase en contacto con su proveedor o bien con un servicio técnico autorizado. Si el aparato no funciona, no intente repararlo usted mismo.

DECLARACIÓN DE LA GARANTÍA PARA LOS REFRIGERADORES BLOMBERG

Las garantías proporcionadas por Blomberg en estas declaraciones se aplican solamente a los refrigeradores Blomberg vendidos al comprador o propietario original en Estados Unidos y Canadá. La garantía no es transferible. Para obtener el servicio de la garantía, comuníquese con nuestro distribuidor más cercano, según se indican por estado y provincia. Necesitará el número de modelo, el número de serie, y el nombre y dirección del vendedor de su refrigerador, donde lo compró y la fecha de compra /fecha de instalación. Esta garantía le otorga derechos legales específicos y también puede tener otros derechos, que varían según el estado. También, asegúrese de registrar su producto para la garantía en www.blombergappliances.com.

1 año (*) de garantía total a partir de la fecha de la primera instalación

Blomberg reparará o reemplazará sin ningún costo para el consumidor las piezas defectuosas del refrigerador si se utilizó bajo condiciones de electrodoméstico normal (la garantía se anula si este producto se usa de forma comercial, por ejemplo en un hotel, hogar de ancianos, etc.) A la reparación la debe realizar una agencia de servicio autorizada de Blomberg. (Los defectos cosméticos se deben informar en un plazo de 10 días hábiles a partir de la instalación). La garantía de 1 año de los accesorios es para las piezas solamente y no incluye la mano de obra.

Garantía limitada de dos años desde la fecha de la primera instalación (únicamente piezas). Blomberg reparará o sustituirá cualquier pieza sin ningún costo para el cliente si los daños o los fallos de estos componentes se deben a materiales defectuosos o a la mano de obra. De nuevo, el frigorífico debe haberse usado bajo condiciones domésticas normales y no comercialmente, tal como se ha indicado anteriormente (la mano de obra va a cargo del cliente).

2 a 5 años (*, **) de garantía limitada a partir de la fecha de la primera instalación

(para las piezas solamente de 2 a 5 años) Blomberg reparará o reemplazará cualquier compresor, evaporador, condensador o secadora sin costo para el consumidor si los defectos en el material o la mano de obra causaron daños o fallas en estos componentes.

El refrigerador se debe haber usado bajo condiciones normales de electrodoméstico y no de manera comercial (los cargos por mano de obra son responsabilidad del consumidor).

Exención de las garantías y exclusiones:

La garantía no cubre los costos de reparación por parte de un agente de servicio autorizado para corregir la instalación, los problemas eléctricos o la instrucción educativa sobre el uso del refrigerador. La garantía tampoco cubre los defectos o daños causados por casos fortuitos (como tormentas, inundaciones, incendios, aludes, etc.), los daños causados por el uso del refrigerador para fines que no son para los que se diseñó, tampoco el mal uso, abuso, accidente, alteración, instalación incorrecta, mantenimiento, cargos de traslado, llamadas al servicio fuera de las horas de trabajo normales, recolección y entrega, cualquier pérdida de comida debido a la falla del producto, trabajo de reparación no autorizado o reparadores.

Este producto está completamente probado y pasó las inspecciones de control de calidad oficiales antes de dejar el sitio de fabricación original. Los términos de la garantía para este electrodoméstico Blomberg no son válidos si un distribuidor autorizado, reparador, vendedor de terceros, revendedor u otra persona autorizada altera, modifica o coloca piezas adicionales en el producto y vuelve a empacarlo.

EN LA MEDIDA PERMITIDA POR LA LEY, ESTA GARANTÍA SUSTITUYE TODAS LAS OTRAS GARANTÍAS EXPRESAS E IMPLÍCITAS INCLUIDAS LAS GARANTÍAS IMPLÍCITAS DE COMERCIABILIDAD Y APTITUD PARA UN FIN PARTICULAR. BLOMBERG NO ASUME NINGUNA RESPONSABILIDAD POR LA CALIDAD DE ESTE PRODUCTO EXCEPTO LO INDICADO EN ESTA DECLARACIÓN DE GARANTÍA. BLOMBERG NO SE HACE RESPONSABLE DE QUE EL PRODUCTO SE ADAPTE A ALGÚN FIN PARTICULAR PARA EL QUE USTED PUEDA COMPRAR ESTE PRODUCTO, EXCEPTO PARA LO INDICADO EN ESTA DECLARACIÓN DE GARANTÍA.

Blomberg no asume ninguna responsabilidad por los daños incidentales o resultantes. Esos daños incluyen, entre otros, pérdidas de ganancias, pérdidas de ahorros o ingresos, pérdidas del uso del refrigerador o cualquier otro equipo asociado, costos de capital, costos de cualquier equipo sustituto, instalaciones o servicios, tiempo de inactividad, reclamos de terceros y daños en la propiedad. Algunos estados no permiten la exclusión o limitación de los daños incidentales o resultantes, por lo tanto las anteriores limitaciones o exclusiones pueden no aplicarse en su caso.

(*)La fecha de instalación debe ser la fecha de compra o 5 días hábiles después de la entrega del producto al hogar, lo que ocurra después.

(**) Las piezas reemplazadas asumirán la identidad de las piezas originales + su garantía original.

Ninguna otra garantía. Esta Declaración de la garantía es la garantía completa y exclusiva del fabricante. Ningún empleado de Blomberg o cualquier otra parte está autorizado a realizar declaraciones de la garantía además de las que aparecen en esta Declaración de la garantía.

Guarde esta tarjeta de la garantía, el manual del usuario y el recibo de la venta para referencia futura.

CÓMO OBTENER SERVICIO

Comuníquese con el Distribuidor de su estado o provincia que se indica en la Lista de contacto de distribuidores, o llame a nuestro número gratuito al 1 800 459 9848 para obtener la dirección de un Agente de servicio Blomberg autorizado.

Blomberg®

seit 1883

www.blomberginternational.com

info@blomberginternational.com