

# BRFD 2230 SS

22 cu.ft (625 L) total gross volume  
Duo cycle no frost cooling



## Fridge

13,28 cu-ft (376 L) net fresh food volume  
Frost free  
Water dispenser  
Touch button display  
Chrome coated wine rack  
Illumination with white LED  
3 safety glass shelf  
4 door rack  
Energy Star 2014 qualified

## Freezer

5,44 cu-ft (154 L) net freezer volume  
Auto defrost  
Automatic Ice Machine with Tap Water Connection - with Water Dispenser inside  
1 drawer, 1 basket

## Hygiene

Blue zone  
hygAIR ionizing technology  
Hygiene+ antibacterial carbon filter  
Antibacterial seal

## Technical Information

Dimensions (HxWxD) (Cm): 177.1x90.8x75.8  
Dimensions (HxWxD) (In): 69 3/4 x 35 3/4 x 29 7/8

\*Depth is with door handles. (Without handles depth: 31 15/16")

## Color

BRFD 2230 SS: Fingerprint free stainless steel

## FEATURES



nofrost

### NoFrost

Keeps food fresher for longer periods. Eliminates ice and bacteria build-up, avoids unpleasant fridge odors.



duocycle

### Duocycle

Certain Blomberg fridge freezers are equipped with an advanced no frost technology, which provides more homogenous, energy - efficient and silent cooling. There is no air transfer between the freezer and fresh food compartments. This eliminates odor mixing.



hygiene+

### Hygiene+

Photo catalyst carbon filter, eliminates bacteria, reduce fridge odour and ensures hygiene. The carbon filter can be reactivated easily, with just one day's exposure to sunlight.



hygAIR

### HygAIR

Eliminates airborne bacteria and odor forming molecules, by producing natural negative ions. And food stays fresher for longer.



bluelight

### Blue Light

Allows fruit and vegetables to continue photosynthesis. Your food maintains its vitamin value.

**Blomberg®**

seit 1883

# BRFD 2230 SS

## 25.7 cu.ft (750 L) Total Gross Volume Trio-cycle NoFrost Cooling

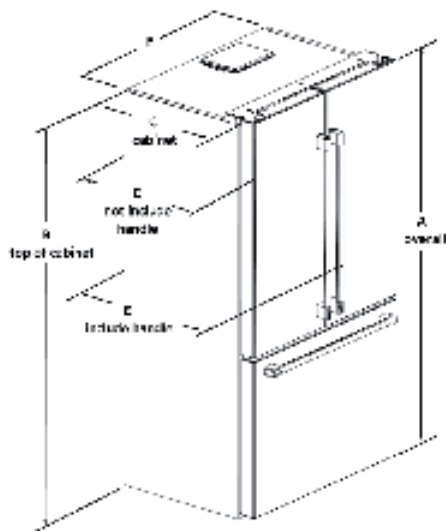
CONTROLS	
Type	Three Door French Door Refrigerator
Control system	Electronic Control
Cooling system	DUO CYCLE NO FROST COOLING
CAPACITIES	
Total net volume, cu.ft	18,7
L	530
Fresh food net volume, cu.ft	13,3
L	376
Freezer net volume, cu.ft	5,4
L	154
FRIDGE FEATURES	
Water dispenser	x
Electronic control display type	Touch control
Auto defrost	x
Inner illumination	White LED
Shelves	Cantilever - partitioned safety glass
Crispers	2
Door racks	6
Wine rack	-
Bottle gripper	-
Egg tray	2 x opaque / 6 egg holder
Compressor	Variable Speed VCC
Fan ventilation	x
FLEXI ZONE	
Total net volume, cu.ft	-
L	-
Number of drawers	-
Number of shelves	-
Adjustable temperature range	-
FREEZER FEATURES	
Auto defrost	x
Fast freeze function	x
Number of freezer drawers	2
Number of flaps	-
Automatic ice maker	11lbs/day capacity
Ice cube tray	-
HYGIENE	
Blue zone	x
hygAIR ionizing tech-logy	x
Hygiene+ antibacterial carbon filter	x
Antibacterial seal	x
TECHNICAL INFORMATION	
Supply voltage, V/Hz	120 V / 60 Hz
Rated Current, A	2.7 A
Noise level, dBA	44
DIMENSIONS	
Unpacked HxWxD, cm	177.1x90.8x75.8
Unpacked HxWxD, in	69 3/4 x 35 3/4 x 29 7/8
Packed HxWxD, cm	195x104.5x94.4
Packed HxWxD, in	76 3/4 x 41 1/8 x 37 1/8
Product weight, kg	135
Product weight, lbs	298
Packed weight, kg	145
Packed weight, lbs	320
PERFORMANCE	
Energy Star qualified	x
Climatic class	T
Annual energy consumption, kwh/year	551
Cooling gas	R134a
COLOR OPTIONS	
WH: White	-
SL: Silver	-
SS: Finger Print Free Stainless Steel	x
FFBI: Fully Integrated	-

# BRFD 2230 SS

25.7 cu.ft (750 L) Total Gross Volume  
Trio-cycle NoFrost Cooling

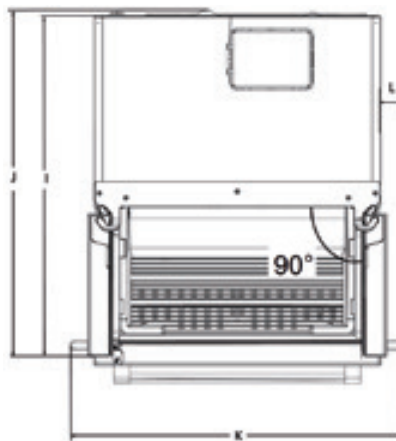
DIMENSIONS [36" FRENCH REFRIGERATOR]

PRODUCT DIMENSIONS

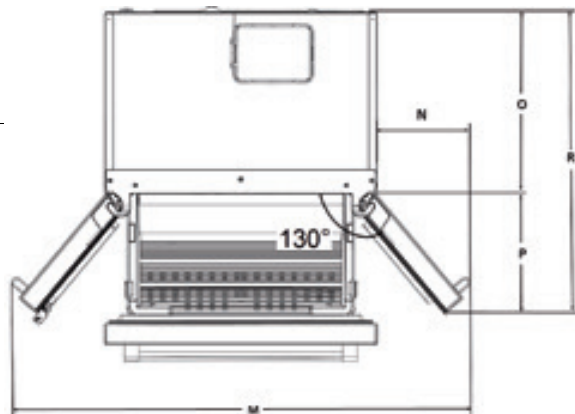


DIMENSIONS [36" FRENCH REFRIGERATOR]

Fresh Food Door Open 90°

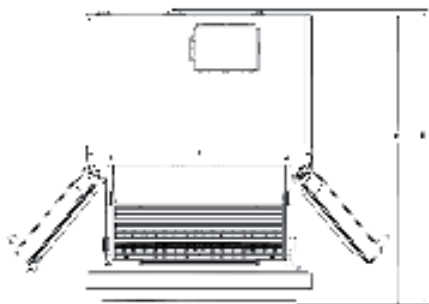


Fresh Food Door Open 130° (Max)



DIMENSIONS [36" FRENCH REFRIGERATOR]

Freezer Door Open Max (Drawer)



Height-Overall "A"	Height-TopOfCabinet "B"	Depth-CabinetOnly "C" "O"	Depth-Without Handles "D"
1771mm (69,72")	1710mm (67,32")	600mm (23,62")	680,5mm (26,79")
Depth-WithHandles "E"	Width-Cabinet "F"	Depth-DrawerOpen "G"	TotalDepth-DrawerOpen "H"
737mm (29,01")	908mm (35,74")	1157mm (45,55")	1178,5mm (46,40")
Depth-Doors Open90° "I"	TotalDepth-Doors Open90° "J"	Width-Doors Open90°WithHandles "K"	Width-Doors Open90°- FromCabinetToHandle "L"
1072,6mm (42,22")	1094mm (43,07")	1059,2mm (41,70")	75,6mm (2,97")
Width-Doors Open130°- FromHandleToHandle "M"	Width-Doors Open130°- FromCabinetToHandle "N"	Depth-Doors Open130° "P"	Depth-Doors Open130° "R"
1530,2mm (41,70")	311,2mm (12,25")	391mm (15,39")	991mm (39,01")

**Blomberg®**

seit 1883