

**Glass Ceramic Cooktop**  
**Surface de cuisson en vitrocéramique**  
**Cocina de cerámica**

**CTE 24400**  
**CTE 24402**

**User manual**  
**Manuel d'utilisation**  
**Manual del usuario**

**Blomberg**



**WARNING:** If the information in this manual is not followed exactly, a fire or explosion may result causing property damage, personal injury or death.

This appliance is intended for normal household use only. It is not approved for outdoor or other non-household uses (including sea or air-going vessels). See the Statement of Limited Warranty. If you have any questions, contact the manufacturer.

Do not repair or replace any part of the appliance unless specifically recommended in this manual. Refer all servicing to a factory authorized service center.

## Explanation of symbols

Throughout this User Manual the following symbols are used:



Important information or useful hints about usage.



Warning for hazardous situations with regard to life and property.



Warning for electric shock.



Warning for risk of fire.



Warning for hot surfaces.



## **Please read these instructions before installation or using your appliance!**

### **Dear Customer,**

We would like you to obtain best performance with your product that has been manufactured in modern facilities and passed through strict quality control procedures.

Therefore, we advise you to read through this user manual carefully before using your product and keep it for future reference. If you hand over the product to someone else, deliver the user manual as well.

The user manual will help you use the product in a fast and safe way.



### **IMPORTANT:**

Save these instructions for the local electrical inspectors use.

### **The instructions will help you to operate the appliance quickly and safely.**

- Upon delivery, please check that the appliance is not damaged. If you note any transport damage, please contact your point of sale immediately and do not connect and operate the appliance!
- Before you connect and start using the appliance, please read this manual and all enclosed documents. Please note in particular the safety instructions.
- Keep all documents so that you can refer to the information again later on. Please keep your receipt for any repairs which may be required under warranty.
- When you pass on the appliance to another person, please provide all documents including original date of purchasing. Warranty is not valid if the product is sold second hand.
- If you should decide not to use this appliance any longer (or decide to substitute an older model), before disposing of it, it is recommended that it be made inoperative in an appropriate manner in accordance to health and environmental protection regulations, ensuring in particular that all potentially hazardous parts be made harmless, especially in relation to children who could play with old appliances. Remove the door and the warming drawer before disposal to prevent entrapment.

# Table of Contents

---

|   |           |  |           |
|---|-----------|--|-----------|
| <b>1 IMPORTANT INSTRUCTIONS</b>                         | <b>5</b>  | <b>4 HOW TO USE THE HOB</b>                | <b>20</b> |
| Basic safety instructions . . . . .                     | 5         | General information on cooking . . . . .   | 20        |
| Additional safety information . . . . .                 | 7         | Tips for glass ceramic burner/plate . . .  | 20        |
| Personal Safety . . . . .                               | 8         | How to use burners/plates . . . . .        | 21        |
| Safety for children . . . . .                           | 10        | Switching the plate on . . . . .           | 22        |
| Safety when working with electricity. . .               | 10        | Switching the plate off . . . . .          | 22        |
| Intended use . . . . .                                  | 10        | <b>5 MAINTENANCE AND CARE</b>              | <b>23</b> |
| Disposal . . . . .                                      | 10        | General information . . . . .              | 23        |
| Packaging material . . . . .                            | 10        | How to clean the burner/plate . . . . .    | 23        |
| Future transportation . . . . .                         | 11        | Cleaning the control panel . . . . .       | 24        |
| <b>2 INSTALLATION</b>                                   | <b>12</b> | <b>6 GENERAL INFORMATION</b>               | <b>25</b> |
| Before installation . . . . .                           | 12        | Overview . . . . .                         | 25        |
| Installation and connection . . . . .                   | 12        | Technical Data . . . . .                   | 26        |
| Important notes to the consumer. . . . .                | 12        | Burners . . . . .                          | 26        |
| Important Notes to the Installer . . . . .              | 12        | <b>7 TROUBLESHOOTING</b>                   | <b>27</b> |
| Product Dimensions and Cutout<br>Requirements . . . . . | 13        | Electrical equipment . . . . .             | 27        |
| Connection to the mains supply. . . . .                 | 16        | <b>WARRANTY STATEMENT<br/>for Blomberg</b> | <b>28</b> |
| 3-Wire branch circuit . . . . .                         | 17        |  |           |
| 4-Wire branch circuit . . . . .                         | 18        |  |           |
| <b>3 PREPARATION</b>                                    | <b>19</b> |  |           |
| Tips for saving energy . . . . .                        | 19        |  |           |
| Initial operation . . . . .                             | 19        |  |           |
| First cleaning of the appliance . . . . .               | 19        |  |           |

# 1 IMPORTANT INSTRUCTIONS

---

This section contains safety instructions that will help you avoid risk of injury and damage. All warranties will become void if you do not follow these instructions.

## Basic safety instructions

- This appliance can be used by children aged from 8 years and above and persons with reduced physical, sensory or mental capabilities or lack of experience and knowledge if they have been given supervision or instruction concerning use of the appliance in a safe way and understand the hazards involved.

Children shall not play with the appliance. Cleaning and user maintenance shall not be made by children without supervision.

## Proper installation

- Only connect the product to a grounded outlet/line with the voltage and protection as specified in the “Technical specifications”. Have the grounding installation made by a qualified electrician while using the product with or without a transformer. Our company shall not be liable for any problems arising due to the product not being

earthed in accordance with the local regulations.

- If the power connection cable for the product is damaged, it must be replaced by the manufacturer, its service agent or similiary qualified persons in order to avoid a hazard.

## User servicing

- Do not repair or replace any part of the appliance unless specifically recommended in the manual. All other servicing should be referred to a qualified technician.
- The appliance must be installed so that it can be completely disconnected from the network. The separation must be provided either by a mains plug, or a switch built into the fixed electrical installation, according to construction regulations.
- During installation, maintenance, cleaning and repair, the unit must always be completely separated from the power supply. For this purpose pull out the plug or turn it off from the mains switch.
- Danger of fire! Do not store items on the cooking surfaces. Unattended

cooking on a hob with fat or oil can be dangerous and may result in fire. NEVER try to extinguish a fire with water, but switch off the appliance and then cover flame e.g. with a lid or a fire blanket.

- Do not use steam cleaners to clean the appliance as this may cause an electric shock
- Electric shock! If the surface is cracked, switch off the appliance to avoid the possibility of electric shock.

### **Wear proper apparel**

- Loose-fitting or hanging garments should never be worn while using the appliance.

### **Storage in or on Appliance**

- Flammable materials should not be stored in an oven or near surface units.

### **Do Not Use Water on Grease Fires**

- Smother fire or flame or use dry chemical or foam-type extinguisher

### **Use Only Dry Potholders**

- Moist or damp potholders on hot surfaces may result in burns from steam. Do not let potholder touch hot heating elements. Do not use a towel or other bulky cloth.

### **Use Proper Pan Size**

- This appliance is equipped with one or more surface units of different size. Select utensils having flat bottoms large enough to cover the

surface unit heating element. The use of undersized utensils will expose a portion of the heating element to direct contact and may result in ignition of clothing. Proper relationship of utensil to burner will also improve efficiency.

### **Never Leave Surface Units Unattended at High Heat Settings**

- Boil over causes smoking and greasy spill-overs that may ignite.

### **Make Sure Reflector Pans or Drip Bowls Are in Place**

- Absence of these pans or bowls during cooking may subject wiring or components underneath to damage.

### **Protective Liners**

- Do not use aluminum foil to line surface unit drip bowls or oven bottoms, except as suggested in the manual. Improper installation of these liners may result in a risk of electric shock, or fire.

### **Glazed Cooking Utensils**

- Only certain types of glass, glass/ceramic, ceramic, earthenware, or other glazed utensils are suitable for range-top service without breaking due to the sudden change in temperature.

### **Utensil Handles Should Be Turned Inward and Not Extend Over Adjacent Surface Units**

- To reduce the risk of burns, ignition of flammable materials, and spillage due to unintentional contact with the utensil, the handle of a utensil should be positioned so that it is turned inward, and does not extend over adjacent surface units.

### **Do Not Soak Removable Heating Elements**

- Heating elements should never be immersed in water.

### **Do not Cook on Broken Cook-Top**

- If cook-top should break, cleaning solutions and spillovers may penetrate the broken cooktop and create a risk of electric shock. Contact a qualified technician immediately.

### **Clean Cook-Top With Caution**

- If a wet sponge or cloth is used to wipe spills on a hot cooking area, be careful to avoid steam burn. Some cleaners can produce noxious fumes if applied to a hot surface.

### **Additional safety information**

- Never wash down the product with water! There is the risk of electric shock!
- Never use the product when your judgment or coordination is impaired by the use of alcohol and/or drugs.

- Be careful when using alcoholic drinks in your dishes. Alcohol evaporates at high temperatures and may cause fire since it can ignite when it comes into contact with hot surfaces.
- Do not place any flammable materials close to the product as the sides may become hot during use.
- Keep all ventilation slots clear of obstructions.
- Make sure that the product function knobs are switched off after every use.
- Vapour pressure that build up due to the moisture on the hob surface or at the bottom of the pot can cause the pot to move. Therefore, make sure that the oven surface and bottom of the pots are always dry.
- The instructions for hobs shall state that the appliance is not intended to be operated by means of an external timer or separate remote-control system.
- Never use when judgment or coordination is impaired by the use of alcohol and/or drugs.
- Do not operate the appliance if it is defective or shows any visible damage.
- Do not heat closed food containers and glass jars. Pressure that may build-

up in the jar can cause it to burst.

- Keep appliance area clear and free from combustible materials, gasoline, and other flammable vapors.
- Do not leave empty pots or pans on plates that are switched on. They might get damaged.
- Since it may be hot, do not leave plastic or aluminum dishes on the surface of appliance. These kind of dishes should not be used to keep food either.
- The manufacturer declines all liability for injury to persons or damage to property caused by incorrect or improper use of the appliance.
- Check that all controls on the appliance are switched off after use.

**i IMPORTANT:** Call the authorized service for installation of the appliance to be used. After this procedure, guarantee period will be started.

## Personal Safety

**To reduce the risk of injury to persons, in the event of a grease fire, observe the following:**

- Do not place any items above the appliance that

children may reach for.

- The packaging materials will be dangerous for children. Keep the packaging materials away from children. Please dispose of all parts of the packaging according to environmental standards.
- Grease is flammable and should be handled carefully.
- Do not use water on grease fires.
- Never pick up a flaming pan. Smother sheet or flat tray.
- Flaming grease outside of utensil can be extinguished with baking soda or, if available, a multipurpose dry chemical or foam type extinguisher.
- Let fat cool before attempting to handle it.
- Wipe up spill over immediately.
- If you are "flaming" liquors or other spirits under an exhaust, turn the fan off. The draft could cause the flames to spread out of control.
- Never leave the surface area unattended at high heat setting. Boil over cause smoking and greasy spill over, which may ignite.

**CAUTION:** Do not allow aluminum foil, plastic, paper or cloth to come in contact with a hot Surface. Do not allow pans to boil dry.



- Be careful to prevent burns. If the flames do not go out immediately, evacuate and call the fire department.
- Always have a working smoke detector near the kitchen.
- Leave the hood ventilator on when flambéing food only if there is smoke without flames.

### **Use an extinguisher only if**

- You know you have a Class ABC extinguisher, and you already know how to operate it.
- The fire is small and contained in the area where it started.
- The fire department is being called.
- You can fight the fire with your back to an exit.
- Never use water on cooking fires.
- In the event that personal clothing catches fire, drop and roll immediately to extinguish flames.

### **To reduce the risk of burn injuries during cooktop use, observe the following:**

- Never use the cooktop to warm or heat a room.
- Children or pets should not be left alone or unattended in an area where appliances are in use. They should never be allowed to sit or stand on

any part of the appliance.

**CAUTION:** Do not store items of interest to children in cabinets above a range or on the backguard of a range; children climbing on the range to reach items could be seriously injured.

- **DO NOT TOUCH SURFACE UNITS OR AREAS NEAR UNITS.** Surface areas may become hot enough to cause burns. Surface elements may be hot even though they are dark in color. During and after use, do not touch or let flammable materials contact heating elements until they have had time to cool.

### **When using the cooktop installed over oven**

- Do not touch heating elements or interior surfaces of oven. Heating elements may be hot even though they are dark in color. Interior surfaces of an oven become hot enough to cause burns. During and after use, do not touch, or let clothing or other flammable materials contact heating elements or interior surfaces of oven until they have had sufficient time to cool. Other surfaces of the appliance may become hot enough to cause burns - among these surfaces are (identification of surfaces - for example, oven vent

openings and sur-faces near these openings, oven doors, and windows of oven doors).

- To minimize the possibility of burns, ignition of flammable materials and spillage, the handle of a container should be turned toward the center of the cooktop without extending over any nearby surface units.
- Use only certain types of glass, heatproof glass ceramic, ceramic, earthenware, or other glazed utensils that are suitable for cooktop use.

### **Safety for children**

- The packaging materials will be dangerous for children. Keep the packaging materials away from children. Please dispose of all parts of the packaging according to environmental standards.

### **Safety when working with electricity**

Defective electric equipment is one of the major causes of house fires.

- Any work on electric equipment and systems may only be carried out by authorized qualified persons.
- In case of any damage, switch off the appliance and disconnect it from the main supply by removing the fuse or switching off the circuit

breaker.

- Ensure that the fuse rating is correct.
- Do not operate the appliance barefooted.
- Never touch the appliance with wet hands or feet.
- Do not soak removable heating elements. Heating elements should never be immersed in water.

### **Intended use**

The appliance is designed for domestic use only. Commercial use is not admissible.

This appliance is for cooking purposes only. It must not be used for other purposes.

### **Never Use Your Appliance for Warming or Heating the Room**

The manufacturer shall not be held liable for any damage caused by improper use or handling errors.

Service life of your product is 10 years. Manufacturer shall provide the required spare parts for the product to perform as defined during this period.

### **Disposal**

#### **Packaging material**

 **DANGER: Risk of suffocation by the packaging materials!**

Packing elements (i.e. plastic bags, polystyrene foam, nails, packing straps, etc.) should not be left around

within easy reach of children,  
as these may cause serious  
injuries.

The packaging material and  
transport locks are made from  
materials that are not harmful to  
the environment. Please dispose  
of all parts of the packaging  
according to environmental  
standards. This is beneficial to  
the environment.

## **Future transportation**

Do not carry out cleaning or  
maintenance operations on  
the appliance without having  
previously disconnected it from  
the electric power supply.

**i NOTICE:** Do not place  
other items on the top of the  
appliance. The appliance  
must be transported upright.

Store the appliance's original  
box and transport the appliance  
in its original carton. Follow the  
guidance marks that are printed  
on the carton.

**i IMPORTANT:**  
Verify the general  
appearance of your  
equipment by identifying  
possible damage during the  
transportation.

## **If you do not have the original carton**

Pack the appliance in bubble  
wrap or thick cardboard  
and tape it securely in order  
to prevent damage during  
transportation.

## 2 INSTALLATION

**i IMPORTANT:** Save for the local electrical inspector's use.

### Before installation

The hob is designed for installation in a commercial worktop. A safety distance must be left between the appliance and the kitchen walls and furniture. See figure (values in mm).

- It can also be used in a free standing position. Allow a minimum distance of 750 mm above the hob surface.
- (\*) If a cooker hood is to be installed above the cooker, refer to cooker hood manufacturer' instructions regarding installation height (min 650 mm)
- Remove packaging materials and transport locks.
- Surfaces, synthetic laminates and adhesives used must be heat resistant (100 °C minimum).
- The worktop must be aligned and fixed horizontally.
- Cut aperture for the hob in worktop as per installation dimensions.
- Observe all governing codes and ordinances.
- Write down the model and serial numbers before installing the cook top. Both numbers are on the box. serial rating plate located on bottom of cooktop box.
- To eliminate the risk of burns by reaching over heated surface units, cabinet storage space located above the surface units should be avoided. If he cabinet storage is to be provided, the risk can be reduced by installing a range hood that projects horizontally a minimum of 5" (12,7 cm) beyond the

bottom of cabinet.

### Installation and connection

**i IMPORTANT:** Do not install the appliance next to refrigerators or freezers. The heat emitted by the appliance will lead to an increased energy consumption of cooling appliances.

- For installation the appliance must be connected in accordance with all local electrical regulations.

### Important notes to the consumer

Keep this manual for future reference.

- If the information in this manual is not followed exactly, a fire or explosion may result in personal injury or death.
- Do not store or use gasoline or other flammable vapors and liquids in the vicinity of this or any other appliance.

**You can be killed or seriously injured if you don't IMMEDIATELY follow instructions.**

### Important Notes to the Installer

Read manual before installing the range.

Observe all governing codes and ordinances.

Be sure to leave these instructions with the consumer.

Be sure your range is installed and grounded properly by a qualified installer or service technician.

# Product Dimensions and Cutout Requirements

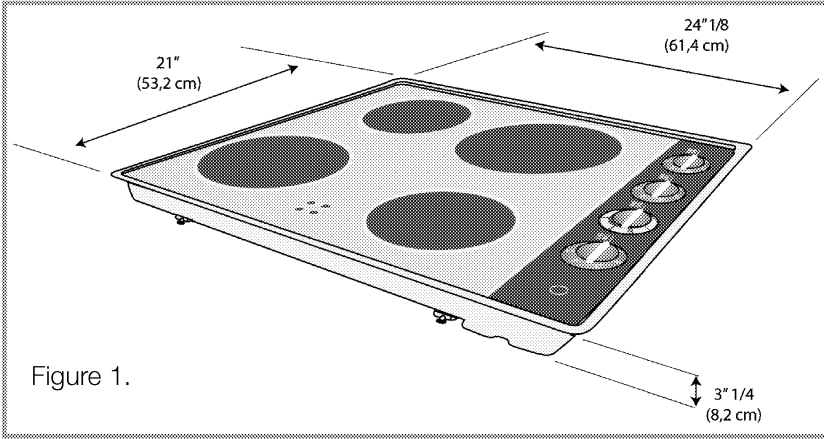


Figure 1.

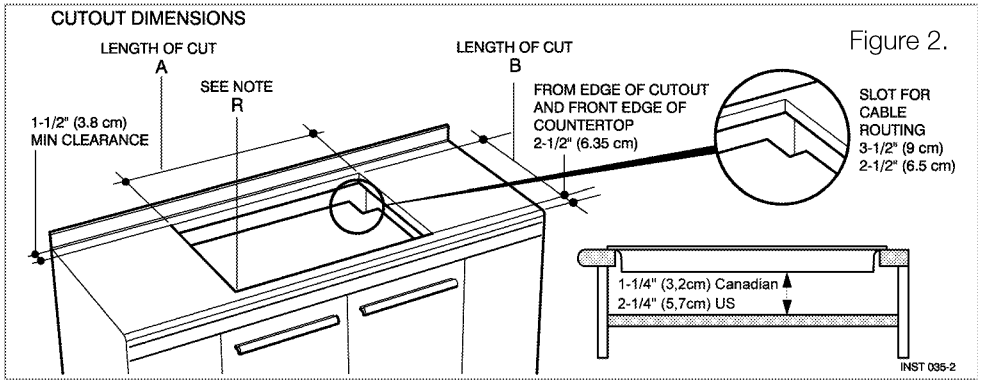


Figure 2.

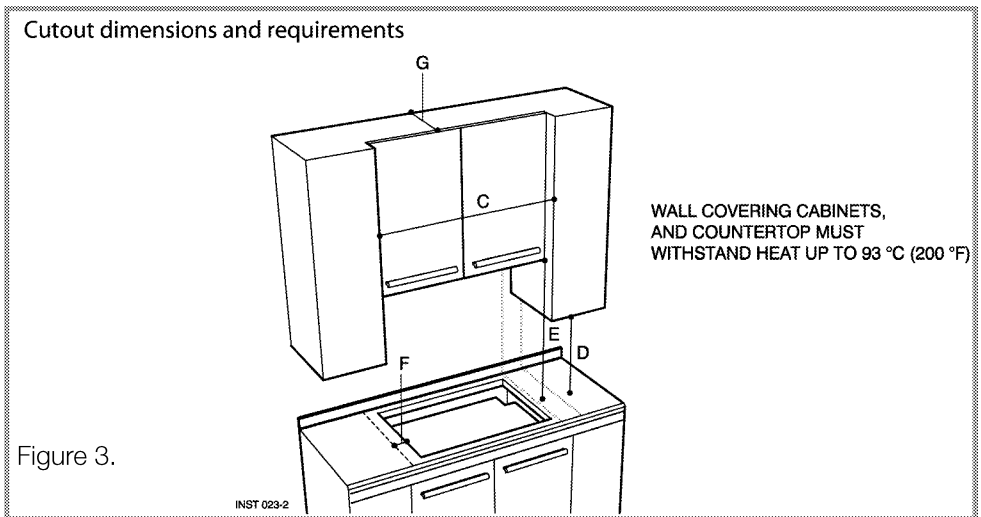


Figure 3.

| CUTOUT WIDTH  | A  | B  | C                    | D   | E  | F  | G   |
|---|--|--|----------------------|---|--|--|---|
| 24"-1/8<br>(61,4 cm)  | 22"-5/8<br>(57,5 cm)<br>22"-6/8<br>(58 cm) | 19"-1/2<br>(49,4 cm)<br>19"-5/8<br>(49,8 cm) | 24"-1/8<br>(61,4 cm) | 18" (45,7 cm) min<br>Height from countertop to nearest cabinet on either side of unit   | 24"-1/8<br>(61,4 cm) min. (see note*)<br>Clearance from countertop to unprotected overhead surface | 2" (5 cm) min.<br>Clearance from cutout to side wall on the left and right of the unit | 13" (33 cm)<br>Depth of unprotected overhead cabinets |
| <b>IMPORTANT</b><br>Under the cooktop it is necessary to install a partition, spaced at least 15 mm. from the bottom of the appliance as shown in figure 3. |  |  |                      | <b>* NOTE</b><br>24" (61 cm) min. clearance if bottom of wood or metal cabinets is protected by not less than 1/4" (0.6 cm) flame retardant millboard covered with no less than No. 28 MSG sheet steel 0.015" (0.04 cm) stainless steel, or 0.024" (0.06 cm) aluminum or 0.020" (0.05cm) copper.<br>24"1/8 (61,4 cm) min. clearance between top of cooking platform and bottom of unprotected wood or metal cabinet |  |  |   |

## Important Preparation Suggestions

1. Chamfer all exposed edges of decorative laminate to prevent damage from chipping.
2. Radius corners of cutout and file to insure smooth edges and prevent corner cracking. Recommend 1/4" or 3/8" diameter drill in each corner.
3. Rough edges, inside corners which have not been rounded and forced fits can contribute to cracking of the countertop laminate.

**This cooktop has been designed with wide tolerances of cut-out to cover possible replacement with other brands. We recommend to that you consider the minimum dimension of cut-out size in the case of new installation. Some cut out sizes for possible replacements:**

| Dim. | Inches            | cm        |
|------|-------------------|-----------|
| 24"  | 22"-6/8 x 19"-5/8 | 58 x 49,8 |

## Cooktop Installation

**!** **IMPORTANT:** Excessive Weight Hazard

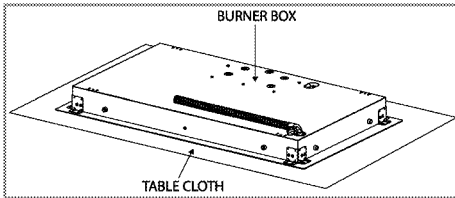
Use two or more people to move and install cooktop. Failure to do so can result in back or other injury.

**!** **IMPORTANT:** Cut Hazard

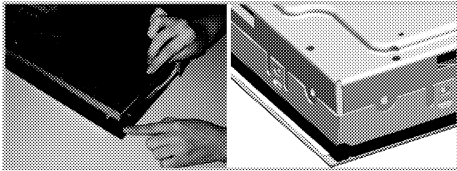
Beware of sharp edges. Use the polystyrene ends when carrying the product. Failure to use caution could result in minor injury or cuts.

- Always consult the countertop manufacturer for specific instructions.
- Ensure the countertop is square and level and ensure no structural members interfere with space requirements.
- Prepare the cut-out according to the instructions (see cut-out dimensions).
- Make sure the wall coverings, countertop and cabinets around the cooktop can withstand heat (up to 200 °F / 93 °C).

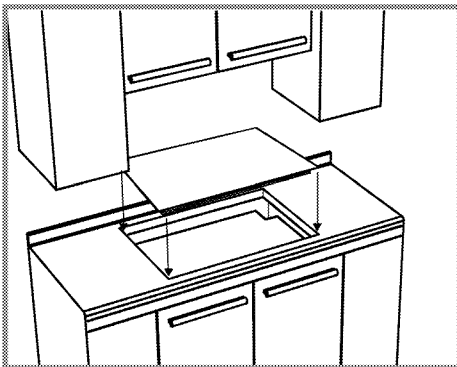
1. Remove packaging materials and literature package from the cooktop before beginning installation. Remove Installation Manual from literature pack and read them carefully before you begin.
2. Place a towel or table cloth onto the counter top. Lay the cooktop upside down onto the protected surface.



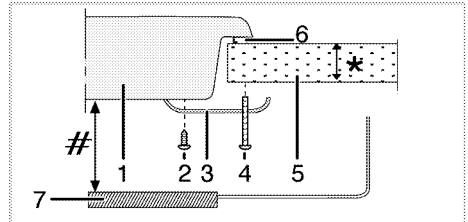
3. In hobs whose edges are framed, apply the sealing gasket provided in the package to the edges of base cover of the appliance from below.



4. Insert the cooktop centered into the cutout opening. Make sure the front edge of the counter top is parallel to the cooktop. Make final check that all required clearances are met.



4. Clamp brackets are provided to clamp the cooktop to the countertop. Tighten screws just enough to hold brackets in place when cooktop is put into cutout. Tighten screws securely. Connect it to the holes in the lower housing as indicated in the figure.



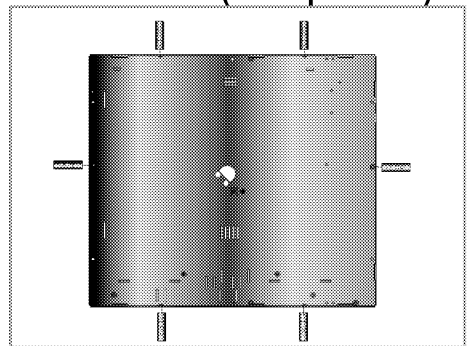
\* min 20 & max.40 mm

# min. 50 mm

1. Hob
2. Screw (small)
3. Fixing clamp
4. Screw (large)
5. Worktop
6. Sealing gasket
7. Dividing shelf

**i IMPORTANT:** Turn the thumbscrew until it touches the bottom of the countertop. Do not overtighten.

### Bottom view (clamp holes)



**i IMPORTANT:** Clamping to different holes is not a good practice in terms of safety since it can damage the

gas and electrical system.

**i IMPORTANT:** When installing the hob above a cupboard, a dividing shelf as in the above picture must be installed. If installing above a built-in oven this is not required

If, for example, due to the fitting of the appliance above a drawer, the underside of the appliance is touchable, it must be covered by a wooden plate.

## Connection to the mains supply

**i IMPORTANT:** This appliance must be properly grounded to avoid shock hazard!

Our company shall not held responsible for any damage caused by using the appliance without grounded receptacle.

This hob must be electrically grounded in accordance with local codes, or in their absence, with the National Electrical Code ANSI/NFPA No. 70-latest edition in United States.

Installation should be made by a Licensed electrician.

**⚠ DANGER: Risk of electric shock, short circuit or fire by damage of the main power supply!**

The main power supply lead must not be clamped, bent or trapped or come into contact with hot parts of the appliance.

If the main power cable is damaged, it must be replaced by a qualified electrician.

**⚠ DANGER: Disconnect power before servicing the product. Failure to do so could result in death or electrical shock.**

- The mains supply data must correspond to the data specified on the rating plate of the appliance. The rating plate is located at the rear housing of the appliance.
- The appliance mains cable must correspond to the specifications and the power consumption; see Technical specifications.

**⚠ DANGER: Before starting any work on the electrical installation, disconnect the product from the mains supply.**

**There is the risk of electric shock!**

**i IMPORTANT:** Electrical installation should comply with national and local codes.

This cooktop does not require a neutral connection. If the cooktop is to be completely enclosed in a cabinet, feed the cooktop cable through the open-ing in the cabinet. Make the electrical connection following the appropriate steps for your installation. Your cooktop must be connected to the proper electrical voltage and frequency as specified in the table on the right.

### Connect with copper wire only

If house has aluminum wiring, follow the procedure below:

1. Connect th aluminum wiring to the copper wire by using special connectors designed and Underwriters Laboratories-listed for joining copper to aluminum. Follow the electrical connector manufacturer's recommended procedure.
2. Aluminum/copper connection must conform with local codes and industry-accepted wiring practices.

The flexible conduit (supplied) 3 feet long (100 cm) located at the right rear of the cooktop bottom box should be



connected directly to junction box. Do not cut the conduit. A U.L. - or CSA - listed conduit connector must be provided at each end of the power supply cable (at the cooktop and at the junction box.) A time delay fuse or circuit breaker is recommended. Do not ground to a gas pipe. Do not have a fuse in the grounding or neutral circuit. Fuse both supply (phase) lines.

**i IMPORTANT:** Improper connection of aluminum house wiring to the copper leads can result in a serious problem.

National Fire Protection Association  
Bat-ter/march Park Quincy,  
Massachusetts 02269

A three-wire, single phase, 240 Volt 60 cycle elec-trical system (properly circuit protected to meet Local Codes of NFPA No.70) must be provided. Unit must be properly grounded in accordance with local wiring code. The chart below recommends the minimum circuit protector and wire size if the appli-ance is the only unit on the circuit. If smaller sizes of wire are used, the unit efficiency will be reduced and a fire hazard may be created. It is advisable that the electrical wiring and hookup be accomplished by a competent electrician.

Be sure your appliance is properly installed and grounded by a qualified technician. Ask your dealer to recommend a qualified technician or an authorized repair service. This cooktop does not require a neutral connection. If the cooktop is to be completely enclosed in a cabinet, feed the cooktop cable through the opening in the cabinet. Make the electrical connection following the appropriate steps for your installation.

This appliance is manufactured with a green ground wire connected to the cooktop chassis. After making sure that

the power has been turned off, connect the flexible conduit from the cooktop to the junction box using a U.L. listed conduit connector. Figures 13 and 14 and the instructions provided below present the most common way of connecting the cooktops. Your local codes and ordinances, of course, take precedence over these instructions. Complete electrical connections according to local codes and ordinances

**⚠ DANGER: Risk of Electric Shock, frame grounded to neutral of appliance through a link.**

Grounding through the neutral conductor is prohibited for new branch-circuit installations (1996 NEC)# mobile homes#and recreational vehicles, or in an area where local codes prohibit grounding through the neutral conductor.

### 3-Wire branch circuit

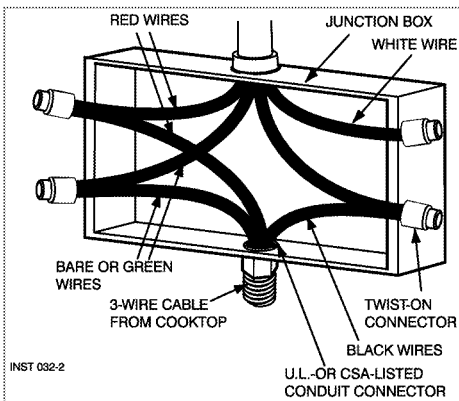
Where local codes allow the connection of ground wire from the cooktop to the branch circuit neutral wire (gray or white colored wire) proceed as follows (see figure 13).

1. If local codes permit, connect the green GROUND wire from the cooktop to the branch circuit neutral wire (gray or white colored wire).
2. Connect the red and black leads from the cooktop to the corresponding leads in the junction box.

## 4-Wire branch circuit

Refer to figure 14:

1. Connect the green ground wire from the cook-top to the ground wire in the junction box (bare or green colored wire).
2. Connect the red and black leads from the cooktop to the corresponding leads in the junction box.
3. Connect the white wire from the cooktop to the neutral (gray or white) wire in the junction box.
4. Terminate and insulate the neutral (gray or white colored wire) in the junction box.



### Final check

1. Connect the appliance to the mains supply and switch on the mains supply.
2. Check function.

## 3 PREPARATION

### Tips for saving energy

The following tips will help you to use your appliance in an ecological way and to save energy:

- Defrost frozen dishes before cooking them.
- Use pots/pans with cover for cooking. If there is no cover, energy consumption may increase 4 times.
- Select the burner which is suitable for the bottom size of the pot to be used. Always select the correct pot size for your dishes. Larger pots require more energy.
- Pay attention to use flat bottom pots when cooking with electric hobs.

Pots with thick bottom will provide a better heat conduction. You can obtain energy savings up to 1/3.

- Vessels and pots must be compatible with the cooking zones. Bottom of the vessels or pots must not be smaller than the hotplate.
- Keep the cooking zones and bottom of the pots clean. Dirt will decrease the heat conduction between the cooking zone and bottom of the pot.
- For long cookings, turn off the cooking zone 5 or 10 minutes before the end of cooking time. You can obtain energy savings up to 20% by using the residual heat.

### Initial operation

#### First cleaning of the appliance

**i IMPORTANT:** When removing appliance for cleaning and/or service;

Disconnect AC power supply.

Carefully remove the range by pulling outward.

Range is heavy, use care in handling.

**i NOTICE:** The surface might get damaged by some detergents or cleaning materials.

Do not use aggressive detergents, cleaning powder/cream or any sharp objects. Be careful to avoid steam burn. Some cleaners can produce noxious fumes if applied to a hot surface.

1. Remove all packaging materials.
2. Wipe the surfaces of the appliance with a damp cloth or sponge and dry with a cloth.

## 4 HOW TO USE THE HOB

### General information on cooking



**DANGER:** Risk of fire by  
overheated oil!

When you heat oil, do not leave it unattended.

**Never try to extinguish the fire with water!** When oil has caught fire, immediately cover the pot or pan with a lid. Switch off the burner/plate if safe to do so and phone the fire service.

Only use flat bottomed pots or pans.

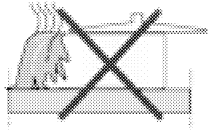
- Use pans which have sufficient capacity for the amount of food being cooked so they don't boil over and cause unnecessary cleaning.
- Do not place lids on the burners.
- Always position pans centrally over the burners. When transferring pans from one burner to another always lift the pans do not slide them.
- This appliance is equipped with one or more surface units of different size. Select utensils having flat bottoms large enough to cover the surface unit heating element. The use of undersized utensils will expose a portion of the heating element to direct contact and may result in ignition of clothing. Proper relationship of utensil to burner will also improve efficiency.
- Never leave surface units unattended at high heat settings. Boilover causes smoking and greasy spillovers that may ignite.
- Make sure reflector pans or drip bowls are in place. Absence of these pans or bowls during cooking may subject wiring or components

underneath to damage.

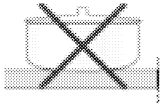
### Tips for glass ceramic burner/plate

- The glass ceramic surface is heat-resistant and insensitive to large temperature deviations.
- Do not use the glass ceramic burner/plate for keeping objects or as cutting surface.  
Do not cook popcorn in prepackaged aluminum containers on the cooktop. They could leave aluminum marks that cannot be removed completely.
- Use pot and pans with ground bottoms. Sharp edges cause scratches on the surface.
- Do not use aluminium pots and pans. Aluminium damages the glass ceramic surface.
- Only certain types of glass, glass/ceramic, ceramic earthenware or other glazed utensils are suitable for range-top service without breaking due to the sudden change in temperature.
- Do not cook foods directly on the cook-top.
- For foods containing sugar in any form, clean up all spills and soils as soon as possible. Allow the cook-top to cool down slightly. Then, while wearing oven mitts, remove the spills while the surface is still warm. If sugary spills are allowed to cool down, they can adhere to the cook-top and can cause pitting and permanent marks.
- If a wet sponge or cloth is used to wipe spills on a hot cooking area, be careful to avoid steam burn. Some

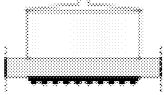
cleaners can produce noxious fumes if applied to a hot surface. Utensil handles should be turned inward and not extend over adjacent surface units. To reduce the risk of burns, ignition of flammable materials, and spillage due to unintentional contact with the utensil, the handle of a utensil should be positioned so that it is turned inward, and does not extend over adjacent surface units.



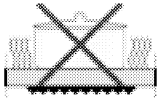
Splashes may damage the ceramic surface and can cause fire.



Do not use pots that have concave or convex bottoms.

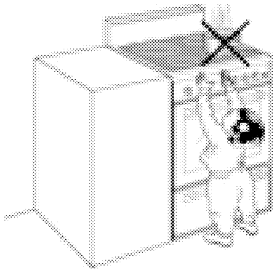


Use pot and pans with smooth bottoms. They ensure a good heat transfer.



If the pan is too small energy is wasted

**⚠ DANGER:**



**Tipping of pan**

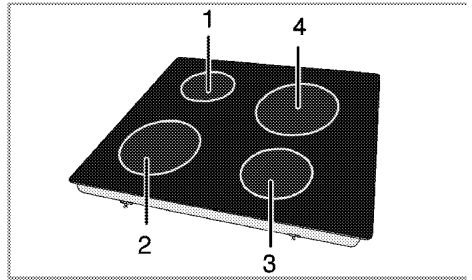
Make sure that the handles of cookware do not stick out over the edge of the appliance, to avoid them being knocked over by accident. This also makes it more

difficult for children to reach the cooking pans.

- Ensure handles of pans cannot accidentally be caught or knocked and do not get hot by adjacent heating zones. Avoid pans that are unstable and easily tipped. Pans that are too heavy to move easily when filled can also be a hazard.

Do not store items of interest to children in cabinets above a range or on the backguard of a range. Children climbing on the range to reach items could be seriously injured.

**How to use burners/plates**



- 1 Single-circuit cooking plate 5,5-6,3
  - 2 Single-circuit cooking plate 7-8 inch
  - 3 Single-circuit cooking plate 5,5-6,3
  - 4 Single-circuit cooking plate 7-8 inch
- is list of advised diameter of pots to be used on related burners.

**⚠ DANGER: Broken glass!**

Do not let any objects fall onto the plate. Even small objects (e.g. salt shaker) may damage the burner/plate.

Do not use glass ceramic plates with cracks. Water may enter into the cracks and cause a short circuit.

If the surface is damaged in any way (e. g. visible cracks), switch off the device immediately to reduce the risk

of an electric shock.

If cooktop should break, cleaning solutions and spillovers may penetrate the broken cook-top and create a risk of electric shock. Contact a qualified technician immediately.

The glass ceramic burner/plate is equipped with an operating lamp and a residual heat indicator.

The residual heat indicator indicates the position of the switched on plate and remains illuminated after switching off. (When the temperature of the plate falls below touchable temperature the indicator light will go off). Weak flicker illumination is not a problem at residual heat indicator light.

## **i** NOTICE:

Quick heating glass-ceramic plates emit a bright light when they are switched on. Do not stare to bright light.

## **Switching the plate on**

The burner/plate control knobs are used for operating the plates. To obtain the desired cooking power, push down and turn the burner/plate control knobs to the corresponding level.

|               |         |                    |                   |
|---------------|---------|--------------------|-------------------|
| Cooking level | 1       | 2                  | 3                 |
|               | warming | stewing, simmering | cooking, roasting |

## **Switching the plate off**

Turn plate control knob to off position (top).

## 5 MAINTENANCE AND CARE

### General information

Service life of the product will extend and the possibility of problems will decrease if the product is cleaned at regular intervals.

#### **DANGER:**

##### **Risk of electric shock!**

Switch off the electricity before cleaning appliance to avoid an electric shock.

#### **DANGER:**

Hot surfaces may cause burns!

Allow the appliance to cool down before you clean it.

#### **NOTICE:**

The surface might get damaged by some detergents or cleaning materials.

Do not use aggressive detergents, cleaning powder/cream or any sharp objects. Be careful to avoid steam burn. Some cleaners can produce noxious fumes if applied to a hot surface.

Do not use harsh abrasive cleaners or sharp metal scrapers to clean the oven door glass since they can scratch the surface, which may result in shattering of the glass

- Clean the product thoroughly after each use. In this way it will be possible to remove cooking residues more easily, thus avoiding these from burning the next time the appliance is used.
- No special cleaning agents are required for cleaning the product. Use warm water with washing liquid, a soft cloth or sponge to clean the product and wipe it with a dry cloth.

- Always ensure any excess liquid is thoroughly wiped off after cleaning and any spillage is immediately wiped dry.
- Do not use cleaning agents that contain acid or chloride to clean the stainless or inox surfaces and the handle. Use a soft cloth with a liquid detergent (not abrasive) to wipe those parts clean, paying attention to sweep in one direction.

#### **IMPORTANT:**

Do not use steam cleaners for cleaning.

### How to clean the burner/plate

#### **Ceramic plates**

Wipe the glass ceramic surface using a piece of cloth dampened with cold water in a manner as not to leave any cleaning agent on it. Dry with a soft and dry cloth. Residues may cause damage on the glass ceramic surface when using the hob for the next time.

Dried residues on the glass ceramic surface should under no circumstances be scraped with hook blades, steel wool or similar tools.

Remove calcium stains (yellow stains) by a small amount of lime remover such as vinegar or lemon juice. You can also use suitable commercially available products. If the surface is heavily soiled, apply the cleaning agent on a sponge and wait until it is absorbed well. Then, clean the surface of the hob with a damp cloth.

#### **IMPORTANT:**

Sugar-based food such as custard and syrup should immediately be

scraped off without waiting for the surface to cool down. Otherwise the burner/plate may be permanently damaged.

Slight color fading may occur on coatings or other surfaces in time. This will not affect operation of the product.

## **Cleaning the control panel**

### **NOTICE:**

Do not remove the control buttons/knobs to clean the control panel.

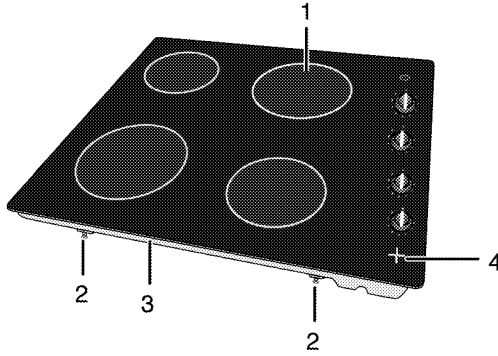
Control panel may get damaged!

Clean the control panel and knobs with a damp cloth and wipe them dry.

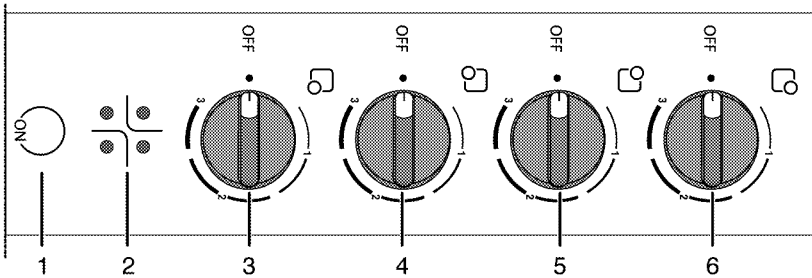


# 6 GENERAL INFORMATION

## Overview



- 1 Single-circuit cooking plate
- 2 Assembly clamp
- 3 Base cover
- 4 Hob hot indicator light



- 1 On-Off light
- 2 Hob hot indicator light
- 3 Single-circuit cooking plate Front right
- 4 Single-circuit cooking plate Front left
- 5 Single-circuit cooking plate Rear left
- 6 Single-circuit cooking plate Rear right

# Technical Data

| <b>GENERAL</b>                           |  |
|--|--|
| Voltage/frequency                        | 120/240V ~ 60 Hz                         |
| Total electric power                     | 6 kW                                     |
| Fuse protection                          | min. 25 A                                |
| Cable type / cross section               | DTR 4x10 AWG                             |
| Cable length                             | max. 6 ft                                |
| External dimensions (height/width/depth) | 3 1/4 /24 1/8 / 21 inches                |
| Installation dimensions (width/depth)    | 22 5/8 - 22 6/8 X 19 1/2 - 19 5/8 inches |
| <b>Burners</b>                           |  |
| Rear left                                | <b>Single-circuit cooking plate</b>      |
| Size                                     | 5,5 inches                               |
| Power                                    | 1200 W                                   |
| Front left                               | <b>Single-circuit cooking plate</b>      |
| Size                                     | 7 inches                                 |
| Power                                    | 1800 W                                   |
| Front right                              | <b>Single-circuit cooking plate</b>      |
| Size                                     | 5,5 inches                               |
| Power                                    | 1200 W                                   |
| Rear right                               | <b>Single-circuit cooking plate</b>      |
| Size                                     | 7 inches                                 |
| Power                                    | 1800 W                                   |

# 7 TROUBLESHOOTING

## **DANGER:**

**Risk of electric shock, short circuit or fire by unprofessional repairs!**

Repairs on the appliance must be carried out by an approved service centre.

## **Normal operating conditions**

- Smoke and smell may emit for a couple of hours during the first operation.
- It is normal that steam escapes during operation.
- When the metal parts are heated, they may expand and cause noise.

**Before you call the service, please check the following points**

## **Electrical equipment**

| <b>Malfunction/problem</b>   | <b>Possible cause</b>   | <b>Advice/remedy</b>  |
|------------------------------|---|---|
| The appliance does not work. | The mains fuse is defective or has tripped.                   | Check fuses in the fuse box. If necessary, replace or reset them. |
|                              | Appliance's plug can not be connected to the grounded socket. | Check the plug connection.  |

If the problem has not been solved:

1. Separate unit from the mains supply (deactivate or unscrew fuse).
2. Call the after-sales service of your store reseller.

## **IMPORTANT:**

Do not attempt to repair the appliance yourself. There are no customer service items inside the appliance.

## **8 WARRANTY STATEMENT for Blomberg**

---

Cooking Appliances(wall ovens / cooktops)

The warranties provided by Blomberg in these statements only apply to Blomberg cooking appliances(wall ovens / cooktops) sold to the original purchaser or homeowner in the US and Canada. This warranty is not transferable.

To obtain warranty service, please contact our nearest distributor as listed by state or call 1-800-459-9848. You will need your cooking appliances(wall ovens / cooktops) model number,serial number, retailer name and address, where purchased and purchase date / installation date.

This warranty gives you specific legal rights, and you may also have other rights which vary from state to state.

All warranties stated below are based upon normal household use. The use of the product in a commercial setting will void all warranties.

Service must also be performed by an authorized Blomberg Service Agency otherwise the warranty is void .

Cosmetic defects must be reported within 10 business days from installation

1 year \* limited warranty from date of first installation Blomberg will repair or replace at no cost to the consumer any defective parts of the cooking appliances(wall ovens / cooktops)

2 year \* ++ limited warranty from date of first installation (Parts only) Blomberg will repair or replace any parts at no cost to the consumer if material defects or workmanship have caused the damage or failure of these components. Labor charges are the responsibility of the consumer

5 year \* ++ limited warranty from date of first installation (Parts only) Blomberg will repair or replace any circuit boards at no cost to the consumer if material defects or workmanship have caused the damage or failure of these components. Labor charges are the responsibility of the consumer

Lifetime limited warranty from date of first installation \* ++ (parts only)

Disclaimers of warranties and exclusions: Warranty does not cover service costs by an authorized service agent to correct installation, electrical problems or educational instruction on the use of the cooking appliances(wall ovens / cooktops). The warranty also does not cover defects or damage caused by an act of god (such as storms, floods, fires, mudslides, etc.), damage cause by use of the cooking appliances(wall ovens / cooktops) for purposes other than those for which it was designed, misuse, abuse, accident, alteration, improper installation, maintenance, travel fees, service calls outside normal service hours, unauthorized service work or work.

This product is fully tested and went through official quality assurance inspections before leaving the original manufacturing site. Warranty terms for this Blomberg household appliance is not valid if the product is altered, tampered, modified, additional parts assembled, fixed and re-packed by an authorized distributor, servicer, a third party retailer, reseller or by any other unauthorized person(s).

TO THE EXTENT PERMITTED BY LAW, THIS WARRANTY IS IN LIEU OF ALL OTHER EXPRESSED AND IMPLIED WARRANTIES, INCLUDING THE IMPLIED WARRANTIES OF MERCHANTABILITY AND FITNESS FOR A PARTICULAR PURPOSE. BLOMBERG UNDERTAKES NO RESPONSIBILITY FOR THE QUALITY OF THIS PRODUCT EXCEPT AS OTHERWISE PROVIDED IN THIS WARRANTY STATEMENT. BLOMBERG ASSUMES NO RESPONSIBILITY THAT THE PRODUCT WILL BE FIT FOR ANY PARTICULAR PURPOSE FOR WHICH YOU MAY BE BUYING THIS PRODUCT, EXCEPT AS OTHERWISE PROVIDED IN THIS WARRANTY STATEMENT.

Blomberg does not assume any responsibility for incidental or consequential damages. Such damages include, but are not limited to, loss of profits, loss of savings or revenue, cost of capital, cost of any substitute equipment, facilities or services, downtime, the claims of third parties, and injury to property. Some states do not allow the exclusion or limitation of incidental or consequential damages, so the above limitations or exclusion may not apply to you.

\* installation date shall refer to either purchase date or 5 business days after delivery of the product to the home, whichever is later.

++Parts replaced will assume the identity of the original parts + their original warranty.


No Other Warranties. This Warranty Statement is the complete and exclusive warranty from the manufacturer. No employee of Blomberg or any other party is authorized to make any warranty statements in addition to those made in this Warranty Statement.

Please keep this warranty card, user manual and your sales slip for future reference.

#### HOW TO GET SERVICE

Please contact the Distributor for your State or Province as listed on the Distributor Contact List, or call our Toll Free Number at 1 800 459 9848 for direction to an Authorized Blomberg Service Agent.

v

 **AVERTISSEMENT** Si l'information de ce manuel n'est pas suivie exactement, un feu ou une explosion peut en résulter, causant des dommages à la propriété, des blessures personnelles ou la mort.

Cet appareil est destiné à une utilisation domestique normale seulement. Il n'est pas approuvé pour l'extérieur ou tout autre utilisation non-domestique (incluant les vaisseaux de mer ou des airs). Voir la Déclaration de Garantie Limitée. Pour toute question, contacter le fabricant.

Ne pas réparer ou remplacer toute pièce de l'appareil sauf si c'est recommandé spécifiquement dans ce manuel. Référez tout service à une usine de centre de service autorisé.

## Explications des symboles

Les symboles suivants sont utilisés dans ce Manuel de l'utilisateur:



Information importante ou conseils utiles concernant l'utilisation.



Avertissements concernant des situations dangereuses à l'égard de la vie ou de la propriété.



Avertissement concernant les chocs électriques.



Avertissement concernant les risques de feu.



Avertissement concernant les surfaces chaudes.



## **Veillez lire ces instructions avant l'installation ou l'utilisation de votre appareil!**

### **Cher Consommateur,**

Nous aimerions que vous obteniez la meilleure performance de votre produit qui a été manufacturé dans des installations modernes et passé à travers des procédures strictes de contrôle de la qualité.

Toutefois, nous vous demandons de lire ce manuel de l'utilisateur soigneusement avant d'utiliser votre produit et gardez-le comme référence future. Si vous donnez ce produit à quelqu'un d'autre, donnez-lui le manuel de l'utilisateur également.

Le manuel de l'utilisateur vous aidera à utiliser le produit d'une manière rapide et sécuritaire.

### **IMPORTANT:**

Sauvegarder ces instructions pour l'utilisation par des inspecteurs en électricité locaux.

## **Les inspections vous aideront à faire fonctionner l'appareil rapidement et sécuritairement.**

- Lors de la livraison, vérifier que l'appareil n'est pas endommagé. Si vous notez tout dommage de transport, veuillez contacter votre point de vente immédiatement et ne connectez pas ni ne faites pas fonctionner l'appareil!
- Avant que vous ne connectiez et fassiez fonctionner l'appareil, veuillez lire ce manuel et tous les documents inclus. Veuillez prendre note en particulier de ces instructions de sécurité.
- Gardez tous les documents auxquels vous pouvez vous référer encore dans le futur. Veuillez garder votre reçu pour toutes réparations qui pourraient être requises durant la garantie.
- Lorsque vous donnez votre appareil à une autre personne, veuillez lui fournir tous les documents inclus lors de la date d'achat originale. La garantie n'est plus valide si le produit est vendu de seconde main.
- Si vous décidez de ne plus utiliser cet appareil (ou décidez de substituer un modèle plus ancien), avant de disposer de celui-ci, il est recommandé de le rendre inopérant de manière appropriée en accord avec les règlements de protection environnementaux et sanitaires, en vous assurant en particulier que toutes les pièces potentiellement dangereuses sont devenues inoffensives, spécialement par rapport aux enfants qui pourraient jouer avec les vieux appareils. Enlever la porte et le tiroir réchaud avant l'évacuation pour prévenir le piégage.

# Table des Matières

---

|   |           |   |           |
|---|-----------|---|-----------|
| <b>1 INSTRUCTIONS IMPORTANTES</b>                         | <b>5</b>  | <b>4 Comment utiliser la plaque</b>                       | <b>24</b> |
| Instructions de sécurité de base . . . . .                | 5         | Information générale de cuisson . . . . .                 | 24        |
| Autres informations concernant la sécurité . . . . .      | 8         | Trucs pour un brûleur/plaque en verre céramique . . . . . | 24        |
| Sécurité personnelle . . . . .                            | 9         | Comment utiliser le brûleur/les plaques                   | 26        |
| Sécurité pour les enfants . . . . .                       | 12        | Allumer la plaque . . . . .                               | 26        |
| Sécurité lors du travail avec l'électricité               | 12        | Éteindre la plaque . . . . .                              | 26        |
| Utilisation prévue . . . . .                              | 12        | <b>5 ENTRETIEN ET SOIN</b>                                | <b>27</b> |
| Destruction . . . . .                                     | 13        | Information générale . . . . .                            | 27        |
| Matériel d'emballage . . . . .                            | 13        | Comment nettoyer le brûleur/la plaque                     | 27        |
| Transport futur . . . . .                                 | 13        | Nettoyage du panneau de contrôle . . .                    | 28        |
| <b>2 INSTALLATION</b>                                     | <b>14</b> | <b>6 INFORMATION GÉNÉRALE</b>                             | <b>29</b> |
| Avant l'installation . . . . .                            | 14        | Survol . . . . .  | 29        |
| Installation et connexion . . . . .                       | 14        | Données techniques . . . . .                              | 30        |
| Notes importantes au consommateur .                       | 14        | Brûleurs . . . . .  | 30        |
| Notes importantes à l'installateur . . . .                | 15        | <b>7 DÉPANNAGE</b>  | <b>31</b> |
| Dimensions du produit et exigences de découpage . . . . . | 16        | Équipement électrique . . . . .                           | 31        |
| Connexion à l'alimentation principale . .                 | 19        | <b>8 DÉCLARATION DE GARANTIE pour Blomberg</b>            | <b>32</b> |
| Circuit de dérivation 3 fils . . . . .                    | 21        |   |           |
| Circuit de dérivation 4 fils . . . . .                    | 21        |   |           |
| <b>3 PRÉPARATION</b>                                      | <b>23</b> |   |           |
| Conseils pour sauver de l'énergie . . . .                 | 23        |   |           |
| Manipulation initiale . . . . .                           | 23        |   |           |
| Premier nettoyage de l'appareil . . . . .                 | 23        |   |           |

---



# 1 INSTRUCTIONS IMPORTANTES

---

Cette section contient des instructions concernant la sécurité qui vous aideront à éviter des risques de blessures et des dommages. Toutes les garanties seront annulées si vous ne suivez pas ces instructions.

## Instructions de sécurité de base

- Cet appareil peut être utilisé par des enfants de 8 ans et plus et des personnes avec des capacités physiques, sensibles ou mentales réduites, ou un manque d'expérience et de connaissances si elles sont supervisées ou ont reçu des instructions concernant l'utilisation de l'appareil de manière sécuritaire et comprennent les dangers impliqués.

Les enfants ne doivent pas jouer avec l'appareil. Le nettoyage et l'entretien effectué par l'utilisateur ne doivent pas être effectués par des enfants sans supervision.

## Installation adéquate

- Connecter le produit uniquement à une sortie/ligne mise à la terre avec la tension et la protection telles que spécifiées dans les « Spécifications techniques ». Faire effectuer l'installation de la mise à la terre par un électricien qualifié si vous utilisez le produit avec ou sans un transformateur. Notre entreprise ne sera responsable d'aucun problème causé par le fait que le produit n'est pas mis à la terre selon les règlements locaux.
- Si le câble d'alimentation du produit est endommagé, il doit être remplacé par le fabricant, son agent de service ou toute personne également qualifiée afin d'éviter tous dangers.

## Entretien par l'utilisateur

- Ne pas réparer ou remplacer toute pièce de l'appareil sauf si c'est recommandé spécifiquement dans le manuel. Tous les autres travaux de service devraient être référés à un électricien qualifié.

- L'appareil doit être installé de sorte qu'il puisse être déconnecté complètement du réseau. La séparation doit être fournie soit par une fiche secteur ou un interrupteur intégré à l'installation électrique fixe, selon les règlements de la construction.
- Durant l'installation, l'entretien, le nettoyage et la réparation, l'appareil doit toujours être complètement séparé de l'alimentation électrique. À cette fin, débrancher de la fiche ou couper l'alimentation à partir de l'interrupteur secteur.
- Danger d'incendie ! Ne pas ranger des articles sur les surfaces de cuisson. Une cuisson sans surveillance sur une table de cuisson avec de la graisse ou de l'huile peut être dangereux et peut causer un incendie. Ne JAMAIS tenter d'éteindre un incendie avec de l'eau, mais éteindre l'appareil puis couvrir les flammes avec par exemple un couvercle ou une couverture anti-feu.
- Ne pas utiliser de nettoyeur à vapeur pour nettoyer l'appareil puisque ceci peut causer un choc électrique
- Choc électrique ! Si la surface est craquée, éteindre l'appareil pour éviter le risque de choc électrique.

## **Porter des vêtements appropriés**

- Des vêtements amples ou qui pendent ne devraient jamais être portés lorsque vous utilisez l'appareil.

## **Entreposage dans ou sur l'appareil**

- Les matériaux inflammables ne doivent pas être entreposés dans le four ou près des surfaces.

## **Ne pas utiliser d'eau sur les feux de graisse.**

- Éteindre le feu ou la flamme en utilisant un extincteur chimique sec ou de type mousse.

## **Utiliser seulement des mitaines sèches**

- Des mitaines humides ou mouillées sur les surfaces chaudes peuvent provoquer des brûlures provenant de la vapeur. Ne pas laisser les mitaines toucher aux éléments chauffants chauds. Ne pas utiliser une serviette ou d'autres linges volumineux.

## **Utiliser la bonne grosseur de casserole**

- Cet appareil est équipé avec une unité de surface ou plus de différente grandeur. Choisir des ustensiles qui ont un fond plat assez large pour couvrir la surface de l'élément chauffant. L'utilisation d'ustensiles sous-dimensionnés exposera une partie de l'élément chauffant au contact direct et peut faire enflammer les vêtements. Un contact approprié entre l'ustensile et le brûleur améliorera également l'efficacité.

## **Ne jamais laisser les unités de surface qui ont des réglages de température élevée sans surveillance.**

- Un déversement causera de la fumée et des retombées graisseuses peuvent s'enflammer.

## **S'assurer que les cuvettes ramasse-gouttes ou les bols d'égouttement sont en place.**

- L'absence de ces cuvettes ou bols durant la cuisson peut exposer le filage ou les composants qui se trouvent en-dessous à des dommages.

## **Revêtements protecteurs**

- Ne pas utiliser de papier d'aluminium pour revêtir les bols d'égouttement de surface ou le fond du four, excepté lorsque suggéré dans le manuel. Une installation incorrecte de ces doublures peuvent provoquer un risque de choc électrique ou le feu.

## **Ustensiles de cuisson vitrés**

- Seulement certaines sortes de verre, verre/céramique, céramique, faïence ou autres ustensiles vitrés sont appropriés dans une gamme supérieure sans qu'ils brisent à cause d'un changement subit de température.

## **Les poignées des ustensiles devraient être tournées vers l'intérieur et ne pas s'étendre sur les unités de surface adjacentes.**

- Pour réduire les risques de brûlures, de feu sur les matériaux inflammables, et les débordements dûs à un contact non-intentionnel avec l'ustensile, la poignée de l'ustensile devrait être tournée pour être à l'intérieur et ne pas s'étendre par-dessus les unités de surface adjacentes.

## **Ne pas faire tremper les éléments chauffants amovibles**

- Les éléments chauffants ne devraient jamais être immergés dans l'eau.

## **Ne pas cuisiner sur une surface de cuisson brisée**

- Si la surface de cuisson venait à casser, des solutions de nettoyage et des éclaboussures pourraient pénétrer dans la surface de cuisson brisée et créer un risque de choc électrique. Contacter un électricien qualifié immédiatement.

## **Nettoyer la surface de cuisson avec prudence**

- Si une éponge humide ou un linge est utilisé pour nettoyer les déversements sur la surface de cuisson chaude, prendre garde afin d'éviter une brûlure par la vapeur. Plusieurs nettoyeurs peuvent produire des fumées toxiques lorsqu'appliqués sur une surface chaude.

## **Autres informations concernant la sécurité**

- Ne jamais laver le produit à grande eau ! Il y a un risque de choc électrique !
- Ne jamais utiliser le produit lorsque votre jugement ou votre coordination sont réduits par l'utilisation d'alcool et/ou de drogues.

- Soyez vigilants lors de l'utilisation de boissons alcooliques dans votre vaisselle. L'alcool s'évapore à hautes températures et peut causer un incendie puisqu'il peut s'enflammer en entrant en contact avec les surfaces chaudes.
- Ne pas placer aucun matériau inflammable à proximité de l'appareil puisque les côtés deviennent chauds pendant l'utilisation.
- Garder toutes les fentes de ventilation libres d'obstructions.
- S'assurer que les boutons de fonction du produit sont éteints après chaque utilisation.
- La pression de vapeur qui s'accumule à cause de l'humidité sur la surface de cuisson ou au bas des casseroles peuvent faire bouger les casseroles. Il faut donc s'assurer que la surface de cuisson et le bas des casseroles soient toujours secs.
- Les instructions pour la surface de cuisson énonceront que l'appareil n'est pas prévu pour fonctionner à l'aide d'une minuterie externe ou d'un système de commande à distance séparé.

- Ne jamais utiliser lorsque le jugement ou la coordination sont déficients par l'utilisation d'alcool et/ou de drogues.
- Ne pas utiliser l'appareil s'il est défectueux ou montre tout dommage visible.
- Ne pas cahuffer les contenants de nourriture fermés et les pots de verre. La pression peut augmenter dans le pot et peut causer un éclatement.
- Garder la surface de l'appareil propre et libre de tous matériaux combustibles, de gazoline, et autres vapeurs inflammables.
- Ne pas laisser de plats ou de pans vides sur les plaques lorsqu'elles sont mises en marche. Ils pourraient être endommagés.
- Parce qu'elle peut être chaude, ne pas laisser de vaisselle de plastique ou d'aluminium sur la surface de l'appareil. Ces sortes de vaisselle ne devrait pas être utilisées pour garder la nourriture non plus.
- Le fabricant décline toute responsabilité pour des blessures aux personnes ou des dommages à la propriété causés par un usage impropre ou incorrect de l'appareil.

- Vérifier que tous les contrôles de l'appareil sont éteints après usage.

## **IMPORTANT:**

Appeler le service autorisé pour l'installation de l'appareil avant qu'il soit utilisé. Après cette procédure, la période de garantie débutera.

## **Sécurité personnelle**

**Pour réduire le risque des blessures corporelles, en cas d'incendie de graisse, observer ce qui suit :**

- Ne pas placer d'articles que les enfants pourraient atteindre au-dessus de l'appareil.
- Les matériaux d'emballage peuvent être dangereux pour les enfants. Garder les matériaux d'emballage loin des enfants. Veuillez disposer de toutes les parties de l'emballage selon les dispositifs environnementaux.
- La graisse est inflammable et devrait être manipulée avec soin.
- Ne pas utiliser d'eau sur les feux de graisse.
- Ne jamais soulever une casserole enflammée. Éteuffer avec une plaque ou un plateau plat.

- De la graisse enflammée à l'extérieur d'un ustensile peut être éteinte avec du bicarbonate de soude ou, si disponible, une poudre extinctrice multi-usage ou un extincteur de type mousse.
- Laisser la graisse se refroidir avant de tenter de la manipuler.
- Essuyer les débordements immédiatement.
- Si vous flambez des liqueurs ou autres spiritueux sous une évacuation, fermer le ventilateur. Le tirage pourrait étendre les flammes hors de contrôle.
- Ne jamais laisser les unités de surface qui ont des réglages de température élevée sans surveillance. Un déversement causera de la fumée et des retombées graisseuses peuvent s'enflammer.

**ATTENTION:** Ne pas laisser du papier aluminium, du plastique, du papier ou du tissu entrer en contact avec une surface chaude. Ne pas laisser les casseroles s'évaporer à sec.

- Soyez prudent afin de prévenir les brûlures. Si les flammes ne s'éteignent pas immédiatement, quittez les lieux et appelez le service d'incendie.

- Toujours avoir un détecteur de fumée fonctionnel près de la cuisine.
- Seulement s'il y a de la fumée sans flammes, laisser le ventilateur de la hotte fonctionner lorsque vous flambez des aliments.

### **Utilisez un extincteur seulement si :**

- Vous savez que vous avez un extincteur de Classe ABC et vous savez comment vous en servir.
- L'incendie est petit et confiné dans un endroit où il a commencé.
- Le service d'incendie est appelé.
- Vous pouvez combattre l'incendie en ayant le dos tourné vers une sortie.
- Ne jamais utiliser d'eau sur les feux de cuisson.
- Si vos vêtements personnels prennent feu, laissez-vous tomber et roulez-vous immédiatement pour éteindre les flammes.

### **Afin de réduire le risque de brûlures lors de l'utilisation d'une surface de cuisson, observer ce qui suit :**

- Ne jamais utiliser votre surface de cuisson pour réchauffer ou chauffer une pièce.

- Les enfants ou les animaux domestiques ne devraient pas être laissés seuls ou sans surveillance dans un endroit où des appareils sont en utilisation. Ils ne devraient jamais avoir la permission de s'asseoir ou de se tenir sur n'importe quelle partie de cet appareil.

**ATTENTION:** Ne pas entreposer des articles d'intérêt pour les enfants dans les armoires au-dessus de l'appareil ou sur l'arrière de l'appareil; les enfants qui grimpent sur l'appareil pour aller chercher ces articles pourraient être sérieusement blessés.

- **NE PAS TOUCHER LES UNITÉS DE SURFACE OU LES ZONES PRÈS DES UNITÉS.** Ces surfaces peuvent devenir assez chaudes pour causer des brûlures. Les éléments de surface peuvent être chauds même s'ils sont de couleur foncée. Pendant et après usage, ne pas toucher ni ne laisser des matériaux inflammables entrer en contact avec les éléments chauffants jusqu'à ce que ces derniers aient eu le temps pour refroidir.

### **Lors de l'utilisation de la surface de cuisson installée sur le four**

- Ne pas toucher les éléments chauffants ou les surfaces intérieures du four. Les éléments chauffants peuvent être chauds même s'ils sont de couleur foncée. Les surfaces intérieures d'un four deviennent assez chaudes pour causer des brûlures. Pendant et après l'utilisation, ne pas toucher, ou laisser les vêtements ou autres matériaux inflammables en contact avec les unités chauffantes ou les surfaces intérieures du four à moins qu'il y ait eu un temps suffisant de refroidissement. Les autres surfaces de l'appareil peuvent devenir assez chaudes pour causer des brûlures - on retrouve parmi ces surfaces (identification des surfaces - par exemple, les ouvertures pour la ventilation du four et les surfaces près de ces ouvertures, les portes du four, et les fenêtres des portes du four).

- Pour minimiser les possibilités de brûlures, d'ignition de matériaux inflammables et de renversements, la poignée d'un contenant doit être tournée vers le centre de la surface de cuisson sans s'étendre sur les unités de surface adjacentes.
- Utiliser uniquement certains types de verre, vitrocéramique à l'épreuve de la chaleur, céramique, faïence ou autres ustensiles vitrés qui peuvent être utilisés sur une surface de cuisson.
- En cas de tout dommage, éteindre l'appareil et le déconnecter du contrôle principal en enlevant le fusible ou en éteignant le disjoncteur.
- Vous assurer que la force du fusible est correcte.
- Ne pas utiliser l'appareil les pieds nus.
- Ne jamais toucher ; a l'appareil avec les mains ou les pieds humides.
- Ne pas mouiller les éléments chauffants enlevables. Les éléments chauffants ne devraient jamais être immergés dans l'eau.

## **Sécurité pour les enfants**

- Les matériaux d'emballage peuvent être dangereux pour les enfants. Garder les matériaux d'emballage loin des enfants. Veuillez disposer de toutes les parties de l'emballage selon les dispositifs environnementaux.

## **Sécurité lors du travail avec l'électricité**

Un équipement électrique défectueux est une des causes majeures d'incendies à domicile.

- tout travail avec de l'équipement et les systèmes électriques peut être réalisé par des personnes qualifiées autorisées.

## **Utilisation prévue**

Cet appareil est prévu pour un usage domestique seulement. Une utilisation commerciale n'est pas admissible.

Ce produit est conçu pour la cuisson seulement. Il ne doit pas être utilisé à d'autres fins.

### **Ne jamais utiliser votre appareil pour réchauffer ou chauffer la pièce.**

Le fabricant ne peut être tenu responsable pour tout dommage causé par une utilisation impropre ou des erreurs de manipulation.

La durée de vie de votre produit est de 10 ans. Le fabricant devra fournir les pièces de rechange requises pour le produit durant cette période afin qu'il performe tel que décrit.



## Destruction

### Matériel d'emballage

**⚠ DANGER: Il y a des risques de suffocation par le matériel d'emballage!**

Les éléments d'emballage (c.a.d. sacs de plastique, mousse en polystyrène, clous, courroies d'emballage) ne devraient pas être laissés facilement à la portée des enfants, car ils peuvent causer des blessures sérieuses.

Le matériel d'emballage et les serrures de transport sont faits de matériaux qui ne sont pas nuisibles pour l'environnement. Veuillez disposer de toutes les parties de l'emballage selon les dispositifs environnementaux. C'est bénéfique pour l'environnement.

### Transport futur

Ne pas exécuter d'opérations de nettoyage ou de maintenance sur l'appareil sans l'avoir auparavant déconnecté de l'alimentation électrique.

**❗ PRÉ-AVIS:** Ne placez pas d'autres objets sur le dessus de l'appareil. L'appareil doit être transporté à la verticale.

Entreposez la boîte originale de l'appareil et transportez l'appareil dans son carton original. Suivre les marques d'orientation qui sont imprimées sur le carton.

**❗ IMPORTANT:** Vérifier l'apparence générale de votre équipement en identifiant tout dommage possible de ce dernier pendant le transport.

### Si vous n'avez pas le carton original

Emballer l'appareil dans un emballage à bulles ou du carton épais et l'attacher sécuritairement afin de prévenir tout dommage durant le transport.

## 2 INSTALLATION

**i IMPORTANT:** Sauvegarder pour utilisation par des inspecteurs en électricité locaux.

### Avant l'installation

La surface de cuisson est conçue pour être installée dans un plan de travail commercial. Une distance sécuritaire doit être laissée entre l'appareil et les murs et l'ameublement de la cuisine. Voir figure (valeurs en mm).

- Elle peut aussi être utilisée en position autoporteuse. Laisser une distance minimale de 750 mm au dessus de la surface de cuisson.
- (\*) Si une hotte de cuisine est installée, consulter les instructions du fabricant de la hotte de cuisine au sujet de la hauteur d'installation (min 650 mm)
- Enlever les matériaux d'emballage et les serrures de transport.
- Les surfaces, les stratifiés synthétiques et les adhésifs utilisés doivent être résistants à la chaleur (100°C minimum).
- Le plan de travail doit être aligné et fixé horizontalement.
- Couper une ouverture pour la surface de cuisson dans le plan de travail selon les dimensions d'installation.
- Observer tous les codes gouvernementaux et les ordonnances.
- Écrire les numéros de modèle et de série avant d'installer la surface de cuisson. Les deux numéros sont sur la boîte, la plaque de série est située sur le dessous de la boîte de la surface de cuisson.

- Pour éliminer les risques de brûlures en passant les bras par dessus les unités de surface chaudes, les espaces de rangement dans l'armoire située au dessus des unités de surface devraient être évités. Si une armoire d'entreposage doit être fournie, le risque peut être réduit en installant une hotte de cuisine qui projette horizontalement un minimum de 12,7 cm (5 po) au-delà du bas des armoires.

### Installation et connexion

- i IMPORTANT:** Ne pas installer l'appareil près des réfrigérateurs ou des congélateurs. La chaleur émise par l'appareil entraînera une consommation croissante d'énergie des appareils de réfrigération.
- Pour l'installation, l'appareil doit être connecté en accord avec les règlements électriques locaux.

### Notes importantes au consommateur

Garder ce manuel pour référence future.

- Si l'information de ce manuel n'est pas suivie exactement, un feu ou une explosion peut en résulter, causant des blessures corporelles ou la mort.
- Ne pas entreposer ni utiliser d'essence ni d'autres vapeurs et liquides inflammables à proximité de cet appareil ou tout autre appareil.

**Vous pouvez être tué  
ou blessé sérieusement  
si vous ne suivez pas  
IMMÉDIATEMENT les  
instructions.**

## **Notes importantes à l'installateur**

Lire le manuel avant d'installer l'appareil.

Observer tous les codes  
gouvernementaux et les ordonnances.

Vous assurer de laisser ces instructions  
au consommateur.

Vous assurer que cet appareil est installé  
et mis à la terre correctement par un  
installateur qualifié ou un technicien de  
service.

# Dimensions du produit et exigences de découpage

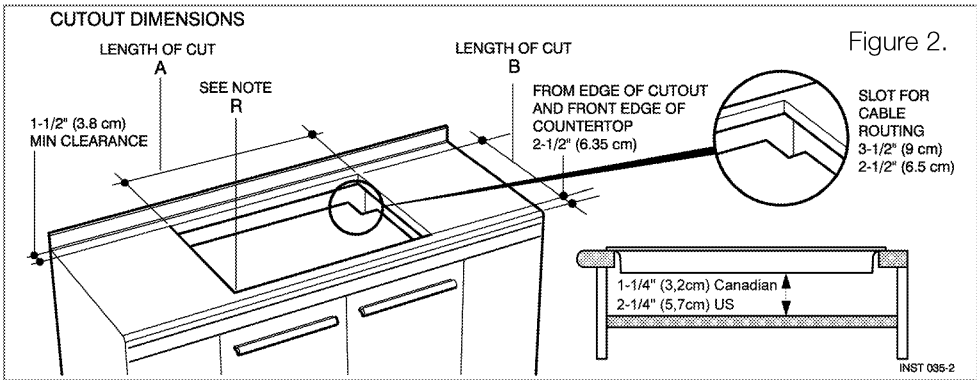
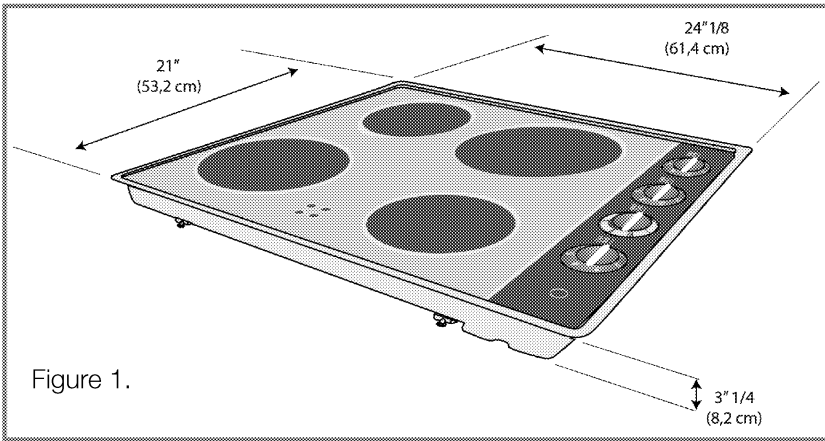
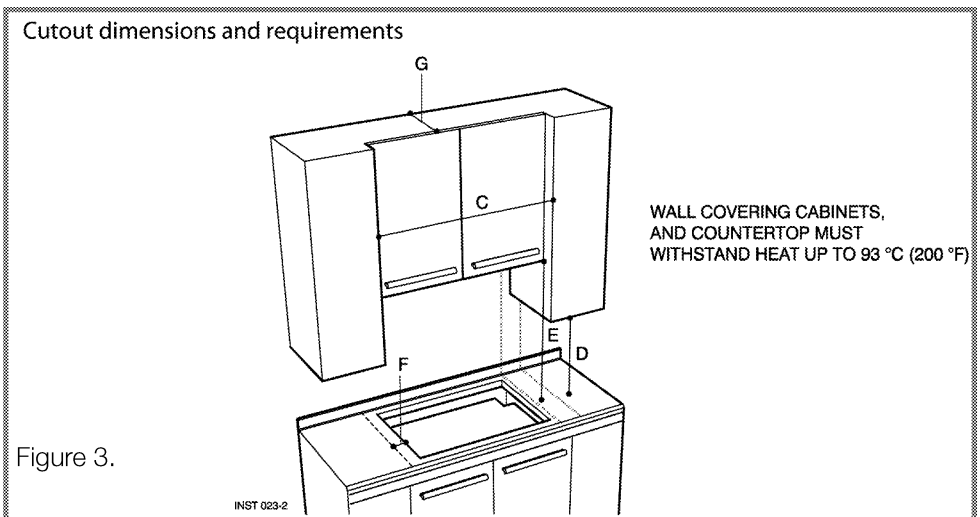


Figure 2.



| LARGEUR DU DÉCOUPAGE   | A  | B  | C                    | D   | E  | F   | G  |
|--|--|--|----------------------|---|--|---|--|
| 24"-1/8<br>(61,4 cm)   | 22"-5/8<br>(57,5 cm)<br>22"-6/8<br>(58 cm) | 19"-1/2<br>(49,4 cm)<br>19"-5/8<br>(49,8 cm) | 24"-1/8<br>(61,4 cm) | 45,7 cm (18 po) min.<br>Hauteur à partir du dessus de comptoir jusqu'à l'armoire la plus près d'un côté ou de l'autre de l'unité  | 24"-1/8<br>(61,4 cm) min. (voir remarque*)<br>Dégagement à partir du dessus de comptoir vers la surface du haut non protégée | 5 cm (2 po) min.<br>Dégagement à partir du découpage jusqu'au mur latéral à la gauche et à la droite de l'unité | 33 cm (13 po)<br>Profondeur des armoires du haut non protégées |
| <b>IMPORTANT</b><br>En dessous de la surface de cuisson, il est nécessaire d'installer une partition espacée d'au moins 15 mm du bas de l'appareil tel qu'illustré dans la figure 3. |  |  |                      | <b>* REMARQUE</b><br>Dégagement min. de 61 cm (24 po) si le dessous des armoires en bois ou en métal est protégé par pas moins de 0,6 cm (1/4 po) de carton de retardement de flamme avec une feuille d'acier de pas moins que No. 28 MSG 0,04 cm (0,015 po) d'acier inoxydable, ou 0,06 cm (0,024 d'aluminium ou 0,05 cm (0,020 po) de cuivre.<br>Dégagement min. de 61,4 cm (24 1/8 po) entre le dessus de la plateforme de cuisson et le bas de l'armoire de bois ou de métal non protégée |  |   |  |

## Suggestions de préparation importantes

1. Canneler tous les rebords exposés de stratifié décoratif afin d'empêcher des dommages causés par l'écaillage.
2. Arrondir les coins du découpage et limer pour assurer des rebords lisses et empêcher les coins de craquer. Une perceuse de 1/4 po ou de 3/8 po de diamètre est recommandée dans chaque coin.
3. Les rebords et les coins intérieurs qui n'ont pas été arrondis et qui ont été forcés peuvent contribuer au craquement du stratifié du dessus de comptoir.

**Cette surface de cuisson a été conçue avec de grandes tolérances de découpage pour prévoir un remplacement possible avec d'autres marques. Nous vous recommandons de considérer la dimension minimale de découpage en cas d'une nouvelle installation. Certaines dimensions de découpage pour des remplacements possibles :**

| Dim. | Pouces            | cm        |
|------|-------------------|-----------|
| 24"  | 22"-6/8 x 19"-5/8 | 58 x 49,8 |

## Installation de la surface de cuisson

**i IMPORTANT:** Risque de poids excessif

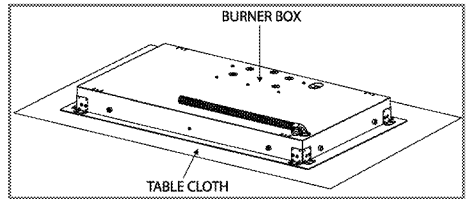
Déplacer et installer la surface de cuisson à deux personnes ou plus. Le non-respect de cette consigne peut entraîner une blessure au dos ou autre.

**i IMPORTANT:** Risque de coupure

Faire attention aux rebords coupants. Utiliser les extrémités en polystyrène pour déplacer le produit. Le non-respect de cette consigne peut entraîner une blessure mineure ou des coupures.

- Toujours consulter le fabricant du dessus du comptoir pour des instructions spécifiques.
- S'assurer que le dessus du comptoir est à angle droit et de niveau et s'assurer qu'aucune pièce de charpente n'interfère avec les exigences d'espace.
- Préparer le découpage selon des instructions (voir les dimensions de découpage).
- S'assurer que les revêtements de mur, le dessus du comptoir et les armoires autour de la surface de cuisson peuvent la chaleur (jusqu'à 93°C/200°F).

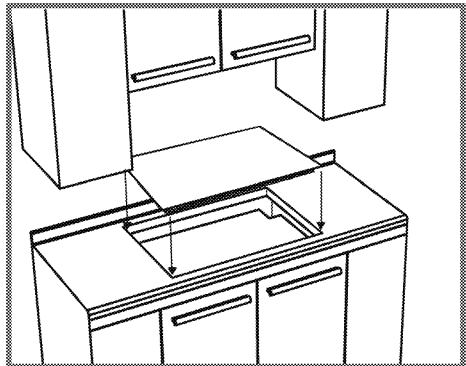
1. Enlever les matériaux d'emballage et la documentation de la surface de cuisson avant de commencer l'installation. Enlever le Manuel d'installation de la documentation et lire attentivement avant de commencer.
2. Placer une serviette ou une nappe sur le dessus du comptoir. Déposer la surface de cuisson à l'envers sur la surface protégée.



3. Pour les tables de cuisson dont les rebords sont encadrés, appliquer le joint d'étanchéité fourni dans l'emballage sur les rebords de la base de l'appareil à partir du dessous.

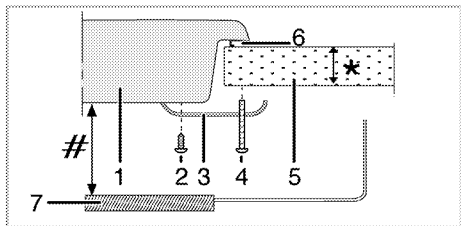


4. Insérer la surface de cuisson centrée dans l'ouverture de découpage. S'assurer que le rebord avant du dessus du comptoir est parallèle à la surface de cuisson. Faire une vérification finale pour s'assurer que tous les dégagements requis sont respectés.



4. Des supports de blocage sont fournis pour bloquer la surface de cuisson au dessus du comptoir. Serrer les vis suffisamment pour retenir les supports en place lorsque la surface de cuisson est déposée dans le découpage. Bien serrer les vis.

Connecter aux trous dans le boîtier inférieur tel qu'indiqué dans la figure.



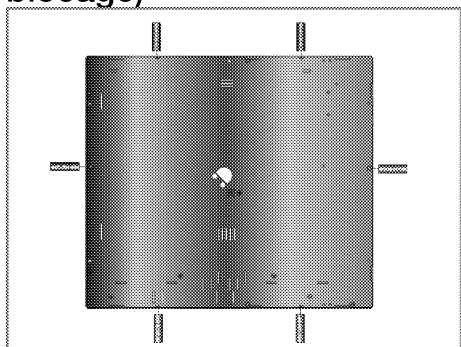
\* min 20 & max.40 mm

# min. 50 mm

1. Surface de cuisson
2. Vis (petit)
3. Blocage de fixation
4. Vis (grand)
5. Plan de travail
6. Joint d'étanchéité
7. Tablette de division

**i IMPORTANT:** Tourner la vis jusqu'à ce qu'elle touche le fond du comptoir. Ne serrez pas trop.

### Vue d'en bas (trous de blocage)



**i IMPORTANT:** Bloquer sur des trous différents n'est pas conseillé en termes de sécurité puisque le système de gaz et électrique peut être endommagé.

**i IMPORTANT:** Si la surface de cuisson est installée au dessus d'une

armoire, une tablette de division telle que celle illustrés ci dessus doit être installée. Si installé au dessus d'un four encastré cela n'est pas requis

Si, par exemple, à cause d'une installation de l'appareil au dessus d'un tiroir, le dessous de l'appareil est touchable, il doit être recouvert par une plaque en bois.

## Connexion à l'alimentation principale

**i IMPORTANT:** Cet appareil doit être correctement mis à terre pour éviter les dangers d'électrocution!

Notre compagnie ne sera pas tenue responsable des dommages causés par l'appareil sans un réceptacle de mise en terre.

Cette surface de cuisson doit être mise à la terre conformément avec les codes locaux, ou en leur absence, avec le Code National Électrique ANSI/NFPA No. 70-dernière édition des États-Unis.

L'installation devrait être faite par un électricien certifié.

**⚠ DANGER: Risques d'électrocution, court circuit ou dommages par le feu dûs à des dommages à l'alimentation principale!**

L'alimentation principale ne doit pas être pliée, serrée ou piégée ou mise en contact avec les parties chaudes de l'appareil.

Si l'alimentation principale est endommagée, elle doit être remplacée par un électricien qualifié.

**⚠ DANGER: Avant d'effectuer l'entretien, couper l'alimentation**

## **électrique. Le non-respect de cette consigne peut entraîner la mort ou un choc électrique.**

- Les données de l'alimentation principale doivent correspondre aux données spécifiées sur la plaque signalétique de l'appareil. La plaque signalétique est située au niveau du boîtier arrière de l'appareil.
- Le câble électrique de l'appareil doit correspondre aux spécifications et à la consommation d'énergie; Voir Spécifications techniques.

**⚠ DANGER: Avant de commencer tout travail sur l'installation électrique, débranchez l'appareil de la prise d'alimentation. Il y a un risque de choc électrique !**

**📌 IMPORTANT:** L'installation électrique doit être conforme aux codes locaux et nationaux.

Cette surface de cuisson n'exige pas une connexion neutre. Si la surface de cuisson doit être complètement enfermée dans une armoire, passer le câble de la surface de cuisson à travers l'ouverture dans l'armoire. Faire la connexion électrique en suivant les étapes appropriées pour votre installation. Votre surface de cuisson doit être connectée à la tension électrique et fréquence appropriées tel que spécifié dans le tableau à droite.

### **Connecter avec du fil de cuivre seulement**

Si la maison a du câblage en aluminium, suivre la procédure ci-dessous :

1. Connecter le câblage en aluminium au fil de cuivre en utilisant des connecteurs spéciaux conçus et listés U.L. pour joindre du cuivre à l'aluminium. Suivre la procédure recommandée par le fabricant du connecteur électrique.

2. Une connexion aluminium/cuivre doit se conformer avec les codes locaux et les pratiques de câblage acceptées dans l'industrie.

Le conduit flexible (fourni) de 3 pieds (100 cm) de long situé à l'arrière droite de la boîte inférieure de la surface de cuisson devrait être connecté directement à la boîte de jonction. Ne pas couper le conduit. Un connecteur de conduit listé U.L. ou CSA doit être fourni à chaque extrémité du câble d'alimentation (au niveau de la surface de cuisson et au niveau de la boîte de jonction). Un fusible ou disjoncteur à délai est recommandé. Ne reliez pas l'alimentation électrique à une conduite de gaz. N'ayez pas de fusible dans le circuit de mise à la terre ou neutre. Ayez un fusible pour les deux lignes d'alimentation (phase).

**📌 IMPORTANT:** Une mauvaise connexion du câblage en aluminium de la maison vers les fils de cuivre peut causer un problème sérieux.

### **National Fire Protection Association Bat-ter/march Park Quincy, Massachusetts 02269**

Un système électrique, triphasé, phase simple, 240 Volt 60 cycle (protégé adéquatement pour satisfaire les codes locaux de NFPA No.70) doit être fourni. L'unité doit être correctement mise à la terre selon le code de câblage local. Le tableau ci-dessous recommande le protecteur de circuit et la grosseur de fil minimum si l'appareil est la seule unité sur le circuit. Si des fils de plus petite grosseur sont utilisés, l'efficacité de l'unité sera réduite et un risque d'incendie peut être créé. Il est recommandé que



le câblage et le raccordement électrique soient effectués par un électricien compétent.

Vous assurer que votre appareil est installé et mis à la terre correctement par un électricien qualifié. Demander à votre marchand de recommander un technicien qualifié ou un service de réparation autorisé. Cette surface de cuisson n'exige pas une connexion neutre. Si la surface de cuisson doit être complètement enfermée dans une armoire, passer le câble de la surface de cuisson à travers l'ouverture dans l'armoire. Faire la connexion électrique en suivant les étapes appropriées pour votre installation.

Cet appareil est fabriqué avec un fil de mise à la terre vert connecté au châssis de la surface de cuisson. Après s'être assuré que l'alimentation est hors tension, connecter le conduit flexible de la surface de cuisson à la boîte de jonction en utilisant un connecteur de conduit listé U.L. Les Figures 13 et 14 et les instructions fournies ci-dessous présentent la façon la plus habituelle de connecter les surfaces de cuisson. Vos codes et règlements locaux, bien sur, ont précedence sur ces instructions. Compléter les connexions électriques selon les codes et règlements locaux.

**⚠ DANGER: Risque de choc électrique, châssis mis à la terre vers le neutre de l'appareil par un lien.**

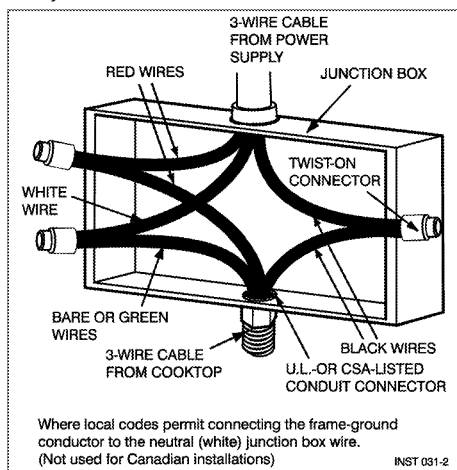
Mettre à la terre par un conducteur neutre est interdit pour de nouvelles installations de circuit de dérivation (1996 NEC) dans

les maisons mobiles et les véhicules récréatifs, ou dans un endroit où les codes locaux interdisent de mettre à la terre par un conducteur neutre.

## Circuit de dérivation 3 fils

Là où les codes locaux permettent la connexion du fil de mise à la terre de la surface de cuisson au fil neutre du circuit de dérivation (fil gris ou blanc) procéder comme suit (voir figure 13).

1. Si les codes locaux le permettent, connecter le fil de MISE À LA TERRE vert de la surface de cuisson au fil neutre du circuit de dérivation (fil gris ou blanc).
2. Connecter les fils rouge et noir de la surface de cuisson aux fils correspondants dans la boîte de jonction.

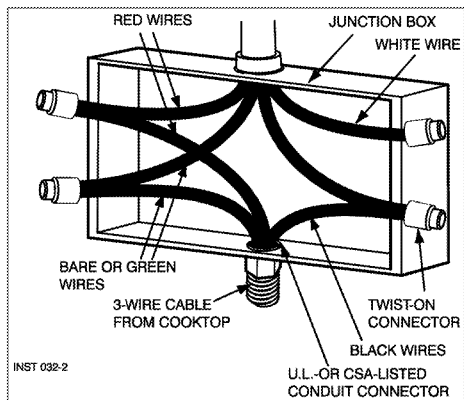


## Circuit de dérivation 4 fils

Consulter la Figure 14 :

1. Connecter le fil de mise à la terre vert de la surface de cuisson au fil de mise à la terre dans la boîte de jonction (fil nu ou vert).

2. Connecter les fils rouge et noir de la surface de cuisson aux fils correspondants dans la boîte de jonction.
3. Connecter le fil blanc de la surface de cuisson au fil neutre (gris ou blanc) dans la boîte de jonction.
4. Terminer et isoler le fil neutre (gris ou blanc) dans la boîte de jonction.



## Vérification finale

1. Connecter l'appareil à l'alimentation principale et mettre l'alimentation principale sous tension.
2. Vérifier les fonctions.

## 3 PRÉPARATION

### Conseils pour sauver de l'énergie

Les conseils suivants vous aideront à utiliser cet appareil d'une façon écologique et pour sauver de l'énergie.

- Décongelez les plats congelés avant de les cuire.
- Utilisez des ustensiles de cuisine avec couvercles pour la cuisson. S'il n'y a pas de couvert, la consommation d'énergie peut augmenter quatre fois plus.
- Sélectionnez le brûleur qui correspond à la taille du fond de la casserole à être utilisée. Toujours choisir la bonne grandeur de casserole pour vos plats. Les grandes casseroles requièrent plus d'énergie.
- S'assurer d'utiliser des casseroles à fond plat pour cuire avec des surfaces de cuisson.

Les casseroles à fond épais offriront une meilleure conduction de chaleur. Vous pouvez sauver jusqu'à 1/3 d'électricité.

- Les récipients et les casseroles doivent être compatibles avec les zones de cuisson. Le fond des récipients et des casseroles ne doit pas être plus petit que la plaque chauffante.
- Garder les zones de cuisson et le fond des casseroles propres. La saleté diminuera la conduction de chaleur entre la zone de cuisson et le fond des casseroles.

- Pour les longues cuissons, fermer la zone de cuisson 5 à 10 minutes avant la fin du temps de cuisson. Vous pouvez sauver jusqu'à 20% d'électricité en utilisant la chaleur résiduelle.

### Manipulation initiale

#### Premier nettoyage de l'appareil.

**i IMPORTANT:** Lorsque vous enlevez l'appareil pour le nettoyage et/ou le service,

Déconnecter l'alimentation principale AC. Enlever avec précaution l'appareil en le tirant vers l'extérieur.

L'appareil est lourd, utiliser des précautions en le manipulant.

**i NOTICE:** La surface peut être endommagée avec des détergents ou des matériaux de nettoyage.

Ne pas utiliser de détergents agressifs, de poudre nettoyante/crème ou tous objets pointus. être prudent pour éviter les brûlures de vapeur. Plusieurs nettoyeurs peuvent produire des fumées toxiques lorsqu'appliqués sur une surface chaude.

1. Enlever tous les matériaux d'emballage.
2. Essuyer les surfaces de l'appareil avec un linge humidifié ou une éponge et essuyer avec un linge.

## 4 Comment utiliser la plaque

### Information générale de cuisson



#### AVERTISSEMENT:

**Risque de feu en surchauffant l'huile!**

Lorsque vous chauffez de l'huile, ne le laissez pas sans surveillance.

**Ne jamais essayer d'éteindre le feu avec de l'eau.** Lorsque l'huile a causé le feu, couvrir immédiatement le plat ou le pan avec un couvercle. Éteindre le brûleur/plaque si c'est sécuritaire de le faire et téléphoner au service d'incendie.

Utiliser seulement des pots ou des pans à fond plat.

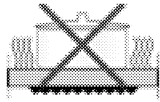
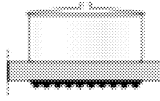
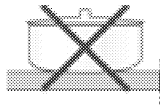
- utiliser des pans qui ont une capacité suffisante pour la quantité de nourriture à être cuite aussi, cela ne renversera pas et rendra le nettoyage non-nécessaire.
- Ne pas placer de couvercles sur les brûleurs.
- Toujours placer les pans au centre des brûleurs. Lorsque vous transférez les pans d'un brûleur à un autre, toujours lever les pans, ne pas les glisser.
- Cet appareil est équipé avec une unité de surface ou plus de différente grandeur. Choisir des ustensiles qui ont un fond plat assez large pour couvrir la surface de l'élément chauffant. L'utilisation d'ustensiles sous-dimensionnés exposera une partie de l'élément chauffant au contact direct et peut faire enflammer les vêtements. Un contact approprié entre l'ustensile et le brûleur améliorera également l'efficacité.

- Ne jamais laisser des unités de surface sans surveillance à des ajustements de haute température. Un déversement causera de la fumée et des retombées grasses peuvent s'enflammer.
- Vous assurer que les pans réfléchissants ou les bols de ruissellement sont en place. L'absence de ces pans ou bols durant la cuisson peut exposer le filage ou des composants en-dessous à des dommages.

### Trucs pour un brûleur/plaque en verre céramique

- La surface de verre céramique est résistante à la chaleur et insensible aux larges déviations de température.
- Ne pas utiliser le brûleur/plaque en verre céramique pour garder les objets ou comme surface de coupe.  
Ne pas cuire de popcorn dans des contenants pré-emballés en aluminium sur le dessus de cuisson. Ils pourraient laisser des marques d'aluminium qui ne pourront pas s'enlever complètement.
- Utiliser des pots ou des pans avec les fonds mis à la terre. Des coins pointus éraflent sur la surface.
- Ne pas utiliser de pots ou de pans en aluminium. L'aluminium endommage la surface de verre céramique.
- Seulement certaines sortes de verre, verre/céramique, céramique, faïence ou autres ustensiles en verre sont souhaitables dans une gamme supérieure sans qu'ils brisent à cause d'un changement subit de température.

- Ne pas cuire la nourriture directement sur le dessus de cuisson.
- Pour des aliments contenant du sucre sous n'importe quelle forme, nettoyer tous débordements et souillures dès que possible. Permettre au dessus de cuisson de refroidir un peu. Alors, en portant des mitaines, enlever les débordements alors que la surface est encore tiède. Si des débordements de sucre sont restés sur une surface froide, ils peuvent adhérer au dessus de cuisson et peuvent causer des piqûres et des marques permanentes.
- Si une éponge humide ou un linge est utilisé pour nettoyer les déversements sur la surface de cuisson chaude, prendre garde afin d'éviter une brûlure par la vapeur. Plusieurs nettoyeurs peuvent produire des fumées toxiques lorsqu'appliqués sur une surface chaude. Les poignées des ustensiles devraient être tournées vers l'intérieur et ne pas s'étendre sur les unités de surface adjacentes. Pour réduire les risques de brûlures, de feu sur les matériaux inflammables, et les débordements dus à un contact non-intentionnel avec l'ustensile, la poignée de l'ustensile devrait être tournée pour être à l'intérieur et ne pas s'étendre par-dessus les unités de surface adjacentes.

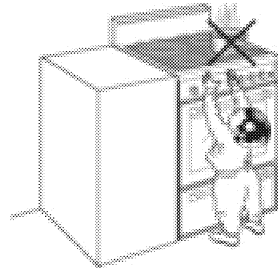


Ne pas utiliser de pots qui ont des fonds concaves ou convexes.

Utiliser des pots ou des pans avec les fonds lisses. Ils assurent un bon transfert de la chaleur.

Si la pan est trop petite, de l'énergie est gaspillée.

## **DANGER:**

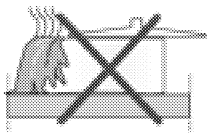


### **Basculement de la pan**

Vous assurer que les poignées du plat ne collent pas sur les bords de l'appareil, pour éviter qu'ils soient frappés par accident. Il doit aussi être difficile pour les enfants d'attraper les pans de cuisson.

- Vous assurer que les poignées des pans ne soient attrapées accidentellement ou cognées et ne deviennent pas chaudes à cause des zones de chaleur adjacentes. Éviter les pans qui sont instables et facilement basculables. Les pans qui sont trop lourdes pour être déplacées rapidement lorsqu'emplies peuvent aussi être dangereuses.

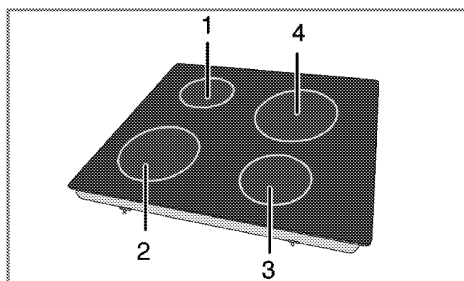
Ne pas entreposer des items d'intérêt pour les enfants dans les armoires au-dessus de l'appareil ou derrière celui-ci.



Les éclaboussures peuvent endommager la surface de céramique et peuvent causer le feu.

Les enfants grimant sur l'appareil pour chercher des items pourraient se blesser sérieusement.

## Comment utiliser le brûleur/les plaques



- 1 Plaque de cuisson à circuit simple 5,5-6,3
- 2 Plaque de cuisson à circuit simple de 7-8 po
- 3 Plaque de cuisson à circuit simple 5,5-6,3
- 4 Plaque de cuisson à circuit simple 7-8 po Les dimensions susmentionnées sont des diamètres recommandés de casseroles relatives aux brûleurs.

### **⚠ DANGER: Verre brisé!**

Ne laisser aucun objet tomber sur la plaque. Même de petits objets (ex: salière) peuvent endommager le brûleur /la plaque.

Ne pas utiliser des plaques en verre céramique avec des fissures. L'eau peut entrer dans les fissures et causer un court-circuit.

Si la surface est endommagée de n'importe quelle façon (ex: fissures visibles), éteindre l'e dispositif immédiatement pour réduire les risques de choc électrique.

Si le dessus de cuisson devait casser, des solutions de nettoyage et des éclaboussures pourraient pénétrer dans le dessus de cuisson brisé et créer un risque de choc électrique. Contacter un électricien qualifié immédiatement.

Le brûleur/la plaque de verre céramique est équipé avec une lampe d'opération et un indicateur de chaleur résiduelle.

L'indicateur de chaleur résiduelle indique la position qui est allumée sur la plaque et reste allumée après que ce soit éteint. (Lorsque la température de la plaque descend sous une température touchable, la lumière de l'indicateur s'éteint.) Un éclairage de faible scintillement n'est pas un problème avec la lumière de l'indicateur de chaleur résiduelle.

### **ⓘ PRÉ-AVIS:**

Des plaques en verre céramique qui chauffent rapidement émettent une lumière brillante lorsqu'ils sont allumés. Ne pas regarder la lumière qui brille.

### **Allumer la plaque**

Les boutons de contrôle du brûleur/ de la plaque sont utilisés pour opérer les plaques. Pour obtenir la puissance de cuisson désirée, enfoncez et tourner les bouton de contrôle du brûleur de la plaque au niveau correspondant.

| Niveau de cuisson | 1     | 2                   | 3                  |
|-------------------|-------|---------------------|--------------------|
|                   | tiède | bouillant, mijotant | cuisant, rôtissant |

### **Éteindre la plaque**

Tourner le cadran de contrôle de la plaque à la position Éteint (en haut).

## 5 ENTRETIEN ET SOIN

### Information générale

La durée de vie du produit sera améliorée et la possibilité de problèmes diminuée si le produit est nettoyé à intervalles réguliers.

#### **DANGER:**

##### **Risques d'Électrocution!**

Éteindre l'électricité avant de nettoyer l'appareil pour éviter l'électrocution.

#### **AVERTISSEMENT:**

Des surfaces chaudes peuvent causer des brûlures!

Permettre à l'appareil de refroidir avant de le nettoyer.

#### **PRÉ-AVIS:**

La surface peut être endommagée avec des détergents ou des matériaux de nettoyage.

Ne pas utiliser de détergents agressifs, de poudre nettoyante/ crème ou tous objets pointus. Être prudent pour éviter les brûlures de vapeur. Plusieurs nettoyeurs peuvent produire des fumées toxiques lorsqu'appliqués sur une surface chaude.

Ne pas utiliser aucun nettoyeur abrasif ou grattoir de métal pointu pour le nettoyage de la vitre de la porte du four puisqu'ils peuvent égratigner la surface, ce qui pourrait faire éclater la vitre.

- Nettoyer le produit soigneusement après chaque utilisation. De cette façon, il sera possible d'enlever les résidus de cuisson plus facilement, en les évitant de brûler la prochaine fois que l'appareil sera utilisé.
- Aucun agent de nettoyage spécial n'est requis pour nettoyer l'appareil.

Utiliser de l'eau tiède avec du liquide à laver, un linge doux ou une éponge pour nettoyer le produit et utiliser un linge sec pour le séchage.

- Toujours s'assurer que tout excès de liquide est complètement essuyé après le nettoyage et que tout débordement est immédiatement asséché.
- Ne pas utiliser d'agents nettoyants qui contiennent de l'acide ou du chlorure pour nettoyer les surfaces en acier inoxydable et la poignée. Utiliser un linge doux avec un détergent liquide (non abrasif) pour essuyer ces parties, en faisant attention d'essuyer dans une direction.

#### **IMPORTANT:**

Ne pas utiliser de nettoyeur à vapeur pour le nettoyage.

### Comment nettoyer le brûleur/la plaque

#### **Plaques de céramique**

Essuyer la surface vitrocéramique en utilisant un linge mouillé d'eau froide de manière à ne laisser aucun agent nettoyant sur celle-ci. Assécher avec un linge doux et sec. Des résidus peuvent causer des dommages à la surface vitrocéramique lorsque la surface de cuisson sera utilisée la prochaine fois.

Les résidus séchés sur la surface vitrocéramique ne doivent en aucune circonstance être grattés avec des lames à crochet, de la laine d'acier ou outils similaires.

Enlever les taches de calcium ( taches jaunes) avec de petites quantités d'agent décalcifiant tel que du vinaigre ou du jus de citron. Vous pouvez aussi utiliser des produits appropriés commercialement disponibles.

Si la surface est très sale, appliquer l'agent nettoyant sur une éponge et attendre qu'il soit bien absorbé. Puis nettoyer la surface avec un linge humide.

### **IMPORTANT:**

De la nourriture à base de sucre comme de la crustade et le sirop doivent être immédiatement grattés sans attendre de la surface à refroidir. Sinon le brûleur/la plaque peuvent être endommagés de façon permanente.

Une légère décoloration peut se produire avec le temps sur les revêtements et autres surfaces. Cela n'affectera pas le fonctionnement du produit.

## **Nettoyage du panneau de contrôle**

### **PRÉ-AVIS:**

Ne pas enlever les boutons de contrôle pour nettoyer le panneau de contrôle.

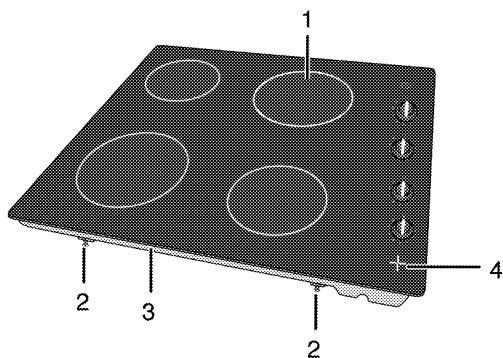
Le panneau de contrôle pourrait être endommagé !

Nettoyer le panneau de contrôle et les boutons avec un linge humide et assécher.

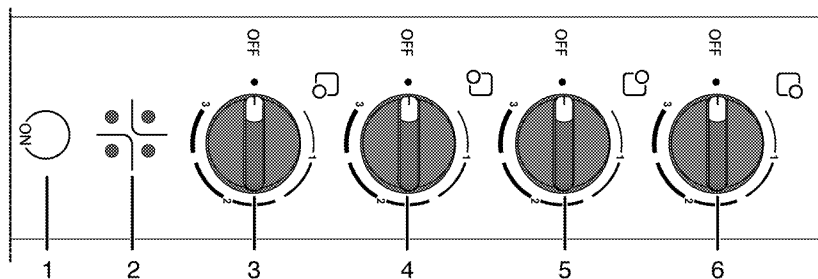


# 6 INFORMATION GÉNÉRALE

## Survol



- 1 Circuit simple de la plaque de cuisson
- 2 Blocage d'assemblage
- 3 Base
- 4 Lumière de l'indicateur chaud de la surface de cuisson



- 1 Lumière de On-Off
- 2 Lumière de l'indicateur chaud de la surface de cuisson
- 3 Circuit simple de la plaque de cuisson devant à droite
- 4 Plaque de cuisson à circuit simple Avant gauche
- 5 Plaque de cuisson à circuit simple Arrière gauche
- 6 Circuit simple de la plaque de cuisson Derrière à droite

## Données techniques

| <b>GÉNÉRALITÉS</b>                                   |   |
|--|---|
| Voltage/fréquence                                    | 120/240V ~ 60 Hz                              |
| Puissance électrique totale                          | 6 kW  |
| Protection des fusibles                              | 25 A min.                                     |
| Sorte de câble/section                               | DTR 4x10 AWG                                  |
| Longueur de câble                                    | 6 pieds max.                                  |
| Dimensions extérieures (hauteur/largeur/ profondeur) | 3 1/4 / 24 1/8 / 21 pouces                    |
| Dimensions d'installation (largeur/ profondeur)      | 22 5/8 - 22 6/8 X 19 1/2 - 19 5/8 pouces      |
| <b>Brûleurs</b>                                      |   |
| Derrière à gauche                                    | <b>Circuit simple de la plaque de cuisson</b> |
| Grandeur   | 5,5 pouces                                    |
| Alimentation   | 1200 W  |
| Devant gauche  | <b>Circuit simple de la plaque de cuisson</b> |
| Grandeur   | 7 pouces                                      |
| Alimentation   | 1800 W  |
| Devant droit   | <b>Circuit simple de la plaque de cuisson</b> |
| Grandeur   | 5,5 pouces                                    |
| Alimentation   | 1200 W  |
| Derrière à droite                                    | <b>Circuit simple de la plaque de cuisson</b> |
| Grandeur   | 7 pouces                                      |
| Alimentation   | 1800 W  |

## 7 DÉPANNAGE

### **DANGER:**

**Risque d'électrocution, de court-circuit ou de feu lors de réparations non-professionnelles.**

Les réparations sur l'appareil doivent être effectuées par un centre de service approuvé.

### **Conditions d'opération normales**

- La fumée et la senteur peuvent être émises durant une couple d'heures durant la première opération.
- Il est normal que la fumée s'échappe durant l'opération.
- Lorsque les pièces de métal sont chauffées, il peuvent s'étendre et faire du bruit.

**Avant d'appeler le service, veuillez vérifier les points suivants**

### **Équipement électrique**

| <b>Défaillance/<br/>problème</b> | <b>Causes possibles</b>  | <b>Conseils/remède</b>  |
|----------------------------------|--|---|
| Cet appareil ne fonctionne pas.  | Les fusibles principaux sont défectueux ou ont sautés.                           | Vérifier les fusibles dans la boîte de fusibles. Si nécessaire, les remplacer ou les réinitialiser. |
|                                  | La prise de l'appareil ne peut pas être connectée au support de mise à la terre. | Vérifier la connection de la prise.   |

Si le problème n'a pas été résolu.

1. Séparer l'unité de l'alimentation principale (désactiver ou dévisser le fusible).
2. Appeler le service après-vente de votre revendeur en magasin.

### **IMPORTANT:**

Ne pas tenter de réparer l'appareil vous-mêmes. Il n'y a pas d'items du service au consommateur à l'intérieur de l'appareil.

# 8 DÉCLARATION DE GARANTIE pour Blomberg

## appareils électriques et au gaz Blomberg

### Appareils de cuisson (fours muraux/plaques de cuisson)

Les garanties offertes par Blomberg dans ces clauses ne s'appliquent qu'aux appareils de cuisson Blomberg (four muraux / plaques de cuisson) vendus à l'acheteur de départ ou au propriétaire aux États-Unis et au Canada. La garantie n'est pas transférable. Pour obtenir le service garantie, veuillez contacter notre distributeur le plus proche indiqué dans la liste par État. Vous devrez fournir le numéro de modèle de votre appareil de cuisson (fours muraux / plaques électriques), le numéro de série, le nom et l'adresse du fournisseur, le lieu et la date de l'achat / la date de l'installation. Cette garantie vous donne des droits légaux spécifiques et vous pouvez également bénéficier d'autres droits qui varient d'un État à l'autre.

Garantie limitée à 1 an \* à partir de la date de la première installation. Blomberg réparera et remplacera sans frais pour le consommateur toute partie défectueuse des appareils de cuisson (fours muraux / plaques de cuisson) s'ils sont utilisés dans des conditions normales d'utilisation (la garantie est nulle si le produit est utilisé dans le commerce). Le service doit être effectué par un agent Blomberg agréé. **Dans le cas contraire la garantie est nulle.** (Les défauts d'apparence doivent être signalés dans les 10 jours ouvrables après l'installation)

Garantie limitée à 2 ans \* ++ à partir de la date de la première installation (seulement pièces). Blomberg réparera et remplacera toute pièce sans frais pour le consommateur si le dommage ou le dysfonctionnement de ces pièces a été causé par des défauts matériels ou l'installation. L'appareil doit avoir été utilisé dans des conditions domestiques normales et non commercialement comme énoncé ci-dessous (Les frais de travail sont sous la responsabilité du consommateur)

Garantie limitée 5 ans \* ++ à partir de la date de la première installation (seulement 2-5 ans pour les pièces). Blomberg réparera et remplacera toute pièce sans frais pour le consommateur si le dommage ou le dysfonctionnement de ces pièces a été causé par des défauts matériels ou l'installation **par un service agréé**. L'appareil doit avoir été utilisé dans des conditions domestiques normales et non commercialement (Les frais de travail sont sous la responsabilité du consommateur)

Garantie à vie à partir de la date de la première installation \* ++ (seulement pièces)

Dégagements de garantie et exclusions. La garantie ne couvre pas les frais de service fournis par un agent agréé pour corriger l'installation, des problèmes électriques ou fournir des instructions sur l'utilisation des appareils de cuisson (fours muraux / plaques de cuisson). La garantie ne couvre pas non plus les défauts et dommages causés par des catastrophes naturelles (tempêtes, inondations, incendies, coulées de boue, etc.), les dommages causés par l'utilisation des appareils de cuisson (fours muraux / plaques de cuisson) à des fins autres que celles pour lesquelles ils ont été conçus, les utilisations erronées ou abusives, les accidents, altérations, l'installation incorrecte, la maintenance, les frais de transport, les appels au service en-dehors des heures normales de travail, le travail des agents non agréés.

L'appareil a été testé de manière exhaustive et est passé par des inspections de qualité officielles avant de quitter le lieu de production. Les termes de la garantie pour cet appareil domestique Blomberg ne sont pas valables si le produit est altéré, abîmé, modifié, si des pièces supplémentaires sont assemblées, fixées et réemballées par un service agréé, un prestataire de services, un fournisseur tiers, un revendeur ou d'autres personnes non-agrèées.

DANS LES LIMITES DE LA LOI, CETTE GARANTIE REMPLACE TOUTES LES GARANTIES EXPLICITES ET IMPLICITES, Y COMPRIS LES GARANTIES IMPLICITES DE MISE SUR LE MARCHÉ ET ADAPTATION A UN OBJECTIF PARTICULIER. BLOMBERG N'ASSUME PAR DE RESPONSABILITÉ CONCERNANT LA QUALITÉ DE CE PRODUIT AUTRE QUE CELLE FOURNIE DANS CES CLAUSES DE GARANTIE. BLOMBERG N'ASSUME PAS DE RESPONSABILITÉ CONCERNANT L'ADEQUATION DE CE PRODUIT A DES FINS PARTICULIÈRES AUTRES QUE CELLE NOTIFIÉE DANS CES CLAUSES DE GARANTIE.

Blomberg n'assume aucune responsabilité pour des dommages accidentels ou indirects. De tels dommages incluent la perte de bénéfices, la perte d'économies ou de revenu, la perte d'utilisation de l'appareil de cuisson ou de tout équipement associé, les frais du capital, les frais de tout matériel de substitution, les installations ou services, le temps dépensé, les réclamations de parties tiers et les dommages à la propriété, mais ne sont pas limités à ces exemples. Du fait que certains États n'autorisent pas l'exclusion ou la restriction des dommages accidentels ou indirects, les restrictions ou exclusions peuvent ne pas s'appliquer à vous.

\* la date d'installation doit faire référence soit à la date d'achat, soit à un délai de 5 jours ouvrables après la livraison du produit à domicile, selon la date la plus tardive.

++Les pièces remplacées seront identiques aux pièces originales + à leur garantie originale.

Pas d'autres garanties. Ces clauses de garantie constituent la garantie complète et exclusive du fabricant. Aucun employé de Blomberg ou d'une autre partie n'est autorisé à ajouter des clauses de garantie à celle mentionnée dans cette déclaration de garantie. Veuillez conserver cette carte de garantie, le manuel de l'utilisateur et votre ticket d'achat pour une utilisation future.

### COMMENT OBTENIR LE SERVICE

Veuillez contacter le distributeur pour votre État ou Province, comme indiqué sur la liste des coordonnées des distributeurs ou appeler notre numéro gratuit au 1 800 459 9848 pour obtenir les références d'un service agréé Blomberg. 02 01



**ADVERTENCIA:** Si la información en este manual no se sigue exactamente, puede ocurrir una explosión de fuego causando daño en la propiedad, lesiones personales o la muerte.

Este aparato está destinado para el uso doméstico normal solamente. No está aprobado para los usos en exteriores u otros usos no domésticos (incluidos embarcaciones marinas o aéreas). Consulte la Declaración de la garantía limitada. Si tiene preguntas, comuníquese con el fabricante.

No repare ni reemplace ninguna parte del aparato a menos que se lo recomiende específicamente en este manual. Derive todas las reparaciones a un centro de servicio autorizado de fábrica.

## Explicación de los símbolos

En este Manual del usuario se utilizan los siguientes símbolos:



Información importante o consejos útiles sobre el uso.



Advertencia sobre situaciones peligrosas con respecto a la vida y la propiedad.



Advertencia de descarga eléctrica.



Advertencia de riesgo de incendio.



Advertencia para superficies calientes.



## **Lea estas instrucciones antes de realizar la instalación o de usar su aparato.**

### **Estimado cliente:**

Deseamos que usted obtenga el mejor rendimiento con su producto que se fabricó en instalaciones modernas y pasó estrictos procedimientos de control de calidad.

Por lo tanto, le aconsejamos que lea atentamente este manual del usuario antes de usar su producto y que lo guarde para la referencia futura. Si transfiere el producto a otra persona, también entréguele el manual del usuario.

El manual del usuario lo ayudará a usar el producto de la forma rápida y segura.



### **IMPORTANTE:**

Guarde estas instrucciones para que las utilicen los inspectores eléctricos locales.

## **Las instrucciones lo ayudarán a operar el aparato de forma rápida y segura.**

- Al recibirlo, revise que el aparato no esté dañado. Si nota algún daño de transporte, comuníquese de inmediato con su punto de ventas y no conecte ni opere el aparato.
- Antes de conectar y comenzar a usar el aparato, lea este manual y todos los documentos incluidos. Preste particular atención a las instrucciones de seguridad.
- Guarde todos los documentos para que pueda volver a consultar la información en el futuro. Guarde su recibo para cualquier reparación que se pueda requerir bajo la garantía.
- Cuando transfiere el aparato a otra persona, proporcione todos los documentos incluida la fecha original de compra. La garantía no es válida si el producto se vende como segunda mano.
- En caso de que decida no usar más el aparato (o decida sustituir un modelo anterior), antes de desecharlo, se recomienda que se haga no operativo de la manera adecuada de acuerdo con las regulaciones de protección del ambiente y salud, asegurando en particular que todas las piezas potencialmente peligrosas sean inofensivas, especialmente en relación con los niños que podrían jugar con aparatos viejos. Retire la puerta y la gaveta calentadora antes de desecharlo para evitar el riesgo de que los niños queden atrapados.

# Índice

---

|  |           |   |           |
|--|-----------|---|-----------|
| <b>1 INSTRUCCIONES IMPORTANTES</b>                             | <b>5</b>  | <b>4 CÓMO USAR LA PLACA DE INDUCCIÓN</b>              | <b>24</b> |
| Instrucciones de seguridad básicas . . . . .                   | 5         | Información general sobre la cocción. . .             | 24        |
| Información de seguridad adicional . . . . .                   | 8         | Consejos para el quemador/placa de cerámica . . . . . | 24        |
| Seguridad personal . . . . .                                   | 9         | Cómo usar los quemadores/placas . . .                 | 26        |
| Seguridad para los niños . . . . .                             | 12        | Encendido de la placa . . . . .                       | 26        |
| Seguridad al trabajar con electricidad .                       | 12        | Apagado de la placa . . . . .                         | 26        |
| Uso específico . . . . .                                       | 12        |   |           |
| Eliminación . . . . .  | 12        | <b>5 MANTENIMIENTO Y CUIDADO</b>                      | <b>27</b> |
| Material de empaque . . . . .                                  | 12        | Información general . . . . .                         | 27        |
| Transporte futuro . . . . .                                    | 13        | Cómo limpiar el quemador/placa . . . . .              | 27        |
|  |           | Limpieza del panel de control . . . . .               | 28        |
| <b>2 INSTALACIÓN</b>   | <b>14</b> |   |           |
| Antes de la instalación . . . . .                              | 14        | <b>6 INFORMACIÓN GENERAL</b>                          | <b>29</b> |
| Instalación y conexión . . . . .                               | 14        | Descripción general . . . . .                         | 29        |
| Notas importantes para el consumidor                           | 14        | Datos técnicos . . . . .                              | 30        |
| Notas importantes para el instalador . .                       | 15        | Quemadores . . . . .                                  | 30        |
| Dimensiones del producto y requerimientos de espacio . . . . . | 16        |   |           |
| Conexión a la alimentación principal . .                       | 19        | <b>7 SOLUCIÓN DE PROBLEMAS</b>                        | <b>31</b> |
| 3 - Circuito derivado . . . . .                                | 21        | Equipo eléctrico . . . . .                            | 31        |
| 4 - Circuito derivado . . . . .                                | 22        |   |           |
| <b>3 PREPARACIÓN</b>   | <b>23</b> | <b>8 DECLARACIÓN DE LA GARANTÍA para Blomberg</b>     | <b>32</b> |
| Consejos para ahorrar energía . . . . .                        | 23        |   |           |
| Operación inicial . . . . .                                    | 23        |   |           |
| Primer limpieza del aparato . . . . .                          | 23        |   |           |

# 1 INSTRUCCIONES IMPORTANTES

---

Esta sección contiene las instrucciones de seguridad que lo ayudarán a evitar un riesgo de lesiones y daños. Todas las garantías se anularán si no sigue estas instrucciones.

## Instrucciones de seguridad básicas

- Este aparato puede ser usado por niños de 8 años o más y por personas con capacidades físicas, mentales o sensoriales reducidas o sin experiencia y conocimiento si se les brinda supervisión o instrucción sobre el uso del aparato de forma segura y comprende los riesgos involucrados.

Los niños no deben jugar con el aparato. La limpieza y el mantenimiento del usuario no deben ser realizados por niños sin supervisión.

## Instalación correcta

- Solo conecte el producto a un tomacorriente o línea con descarga a tierra y la tensión y protección que se especifica en "Especificaciones técnicas". Haga que un electricista calificado realice la instalación de descarga a tierra mientras usa el producto con o sin transformador. Nuestra empresa no se hará responsables de los problemas que surjan debido a que el producto no tenga una descarga a tierra de acuerdo con las regulaciones locales.
- Si el cable de conexión para el producto está dañado, el fabricante, su agente de servicio o personas calificadas de la misma manera deben reemplazarlo para evitar un riesgo.

## Reparación por parte del empleado

- No repare ni reemplace ninguna parte del aparato a menos que se lo recomiende específicamente en este manual. Todas las otras reparaciones deben ser derivadas a un técnico calificado.



- El aparato se debe instalar de manera que esté desconectado completamente de la red. La separación debe estar proporcionada por un enchufe de alimentación o un interruptor incorporado en la instalación eléctrica fijada de acuerdo con las regulaciones de construcción.
- Durante la instalación, el mantenimiento, la limpieza y reparación, la unidad siempre debe estar completamente separada de la fuente de alimentación. Para esto, saque el enchufe o apague el interruptor principal.
- Peligro de incendio No guarde los elementos en las superficie superficies de cocción. La cocción sin atención sobre una placa de inducción con grasa o aceite puede ser peligroso y causar un incendio. NUNCA intente apagar el fuego con agua, apague el aparato y luego cubra la llama con una tapa o una manta para incendios.
- No use limpiadores a vapor para limpiar el aparato ya que puede causar una descarga eléctrica
- Descarga eléctrica Si la superficie se raja, apague el aparato para evitar la posibilidad de descarga eléctrica.

### **Use la vestimenta correcta**

- No se debe usar vestimenta floja o colgante mientras usa el aparato.

### **Almacenamiento adentro o sobre el aparato**

- Los materiales inflamables no se deben almacenar en un horno o cerca de las unidades de la superficie.

### **No use agua en los incendios provocados por grasa**

- Apague el fuego o las llamas o use un extintor de tipo espuma o químicos secos

### **Solo use agarraderas secas**

- Las agarraderas húmedas en las superficies caliente pueden causar quemaduras por el vapor. No deje que las agarraderas toquen los elementos calentadores calientes. No use una toalla ni otras telas abultadas.

## **Use el tamaño adecuado de la cacerola**

- Este aparato está equipado con una o más unidades de la superficie de diferente tamaño. Seleccione los utensilios que tienen fondos planos lo suficientemente grande como para cubrir el elemento calentador de la unidad de la superficie. El uso de utensilios con tamaño más chico expondrá una parte del elemento calentador al contacto directo y puede causar un incendio de la ropa. La relación adecuada de utensilio con el quemador también mejorará la eficiencia.

## **Nunca deje las unidades de superficie sin atención cuando se cocina con mucho fuego**

- Los rebalses al hervir causan humo y los derrames de grasa pueden incendiarse.

## **Asegúrese de que las cacerolas del receptor o los recipientes de goteo estén en el lugar**

- La ausencia de estas cacerolas o recipientes durante la cocción puede someter al cableado o a las componentes de abajo al daño.

## **Recubrimiento protectores**

- No use una película de aluminio para alinear los recipientes de goteo de la unidad de la superficie o los fondos del horno, excepto que se sugiera en el manual. La instalación inadecuada de estos recubrimientos puede causar un riesgo de descarga eléctrica o incendio.

## **Utensilios de cocina de vidrio**

- Solamente ciertos tipos de vidrio, vidrio/cerámica, loza y otros utensilios de vidrio son adecuados para el servicio de la parte superior del horno sin que se rompan debido al cambio brusco de temperatura.

## **Los mangos de los utensilios se deben colocar hacia adentro y no deben extenderse sobre las unidades de la superficie adyacentes**

- Para reducir el riesgo de quemaduras, incendio de los materiales inflamables y salpicaduras debido al contacto no intencional con el utensilio, la manija de un utensilio se debe colocar hacia adentro y no se debe extender sobre las unidades de superficie adyacente.

## **No enjuague los elementos calentadores extraíbles**

- Los elementos calentadores nunca se deben sumergir en agua.

## **No cocine en la parte superior de la cocina si está rota**

- Si la parte superior de la cocina se rompe, las soluciones de limpieza y los derrames pueden penetrar en la parte superior de la cocina rota y pueden crear un riesgo de descarga eléctrica. Comuníquese de inmediato con un técnico calificado.

## **Limpie la tapa de la cocina con cuidado**

- Si se usa una esponja o trapo húmedo para limpiar las salpicaduras en un área de cocción caliente, tenga cuidado para evitar una quemadura por el vapor. Algunos agentes de limpieza pueden producir humos nocivos si se aplican en una superficie caliente.

## **Información de seguridad adicional**

- Nunca lave el producto con agua. Existe un riesgo de descarga eléctrica.
- Nunca use el producto cuando el juicio o la coordinación se ven disminuidos a causa del uso de alcohol o drogas.

- Tenga cuidado cuando usa bebidas alcohólicas en sus platos. El alcohol se evapora en las altas temperatura y puede causar un incendio ya que se enciende cuando entra en contacto con superficies calientes.
- No coloque materiales inflamables cerca del producto ya que los costados se pueden calentar durante el uso.
- Mantenga todas las ranuras de ventilación sin obstrucciones.
- Asegúrese de las perillas de producto estén apagadas después de cada uso.
- La presión de vapor acumulado debido a la humedad en las superficies de la placa de inducción o en la parte inferior de la cacerola pueden causar que la cacerola se mueva. Por lo tanto, asegúrese de que la superficie del horno y la parte inferior de la cacerola siempre estén secas.
- Las instrucciones para las placas de inducción deben indicar que el aparato no está destinado a ser operado mediante un temporizador externo o sistema de control remoto separado.

- Nunca use el aparato cuando el juicio o la coordinación se ven disminuidos a causa del uso de alcohol o drogas.
- No opere el aparato si tiene defectos o si muestra daño visible.
- No caliente recipientes de comida cerrados ni frascos de vidrio. La presión que se puede acumular en el frasco puede causar que explote.
- Mantenga el área del aparato sin materiales combustibles, como gasolina y otros vapores inflamables.
- No deje recipientes vacíos o bandejas en las placas que están encendidas. Se pueden dañar.
- Como puede estar caliente, no deje platos de aluminio o plástico sobre la superficie del aparato. Estos tipos de platos tampoco se deben usar para mantener la comida.
- El fabricante rechaza toda responsabilidad por lesiones a personas o daños a la propiedad causado por el uso incorrecto o inadecuado del aparato.
- Revise que todos los controles del aparato se apaguen después del uso.

## **i** **IMPORTANTE:**

Llame al servicio autorizado para la instalación del aparato a usar. Luego de este procedimiento, comienza el período de garantía.

### **Seguridad personal**

**Para reducir el riesgo de lesión personal en caso de que se incendie la grasa, tenga en cuenta lo siguiente:**

- No coloque sobre el aparato elementos que pueden alcanzar los niños.
- Los materiales de empaque serán peligrosos para los niños. Mantenga los materiales de empaque lejos de los niños. Deseche todas las piezas de empaque de acuerdo con las normas ambientales.
- La grasa es inflamable y se debe manipular con cuidado.
- No use agua en los incendios provocados por grasas.
- Nunca levante una cacerola en llamas. Apague la lámina o bandeja plana.
- La grasa en llamas fuera del utensilio se pueden apagar con soda cáustica o, si está disponible, con un químico seco multiuso o extintor tipo espuma.

- Deje que la grasa se enfríe antes de intentar manipularla.
- Limpie de inmediato los derrames.
- Si está flameando licores y otras bebidas bajo un escape, apague el ventilador. La corriente de aire podría causar que las llamas se dispersen sin control.
- Nunca deje el área de la superficie sin atención cuando se cocina con fuego alto. Los rebalses al hervir causan humo y los derrames de grasa pueden incendiarse.

**PRECAUCIÓN:** No permita que la película de aluminio, el plástico, el papel o la tela entre en contacto con una superficie caliente. No deje que las cacerolas hiervan hasta quedarse sin agua.

- Tenga cuidado para evitar quemaduras. Si las llamas no se apagan de inmediato, evacúe el lugar y llame al departamento de bomberos.
- Siempre tenga un detector de humo en funcionamiento cerca de la cocina.
- Deje el ventilador de la campana encendido cuando flamea alimentos o si hay humo sin llamas.

### **Use un extintor solamente si:**

- Usted sabe que tiene un extintor Clase ABC y ya sabe cómo operarlo.
- El incendio es pequeño y se contiene en el área donde comenzó.
- Llamó al departamento de bomberos.
- Puede apagar el fuego con su espalda cerca de una salida.
- Nunca use agua en los incendios de cocción.
- En caso de que la ropa personal se incendie, tírese al piso y ruede para extinguir las llamas.

### **Para reducir el riesgo de quemaduras durante el uso de la parte superior de la cocina, tenga en cuenta lo siguiente:**

- Nunca use la parte superior de la cocina para calentar una habitación.
- Los niños o mascotas no se deben dejar solos o sin atención en un área donde el aparato está en uso. No se les debe permitir sentarse o pararse en cualquier parte del aparato.

**PRECAUCIÓN:** No guarde elementos que les interesen a los niños en gabinetes sobre un horno o en el protector trasero de un horno: los niños pueden treparse en el horno para alcanzar los elementos y se pueden dañar gravemente.

- **NO TOQUE LAS UNIDADES DE LA SUPERFICIE NI LAS ÁREAS CERCA DE LAS UNIDADES.** Las áreas de la superficie se pueden calentar lo suficiente como para causar quemaduras. Los elementos de la superficie pueden estar calientes incluso cuando tienen un color oscuro. Durante o después del uso, no toque ni deje que materiales inflamables toquen los elementos calentadores hasta que se hayan enfriado.

**Cuando se usa la parte superior de la cocina instalada sobre el horno**

- No toque los elementos calentadores ni las superficies interiores del horno. Los elementos calentadores pueden estar calientes incluso cuando tienen un color oscuro. Las superficies interiores de un horno se pueden calentar lo suficiente como para causar quemaduras.

Durante y después del uso, no toque, ni deje que la ropa u otros materiales inflamables toquen los elementos calentadores ni las superficies interiores del horno hasta que tengan tiempo suficiente para enfriarse. Otras superficies del aparato se pueden calentar lo suficiente como para causar quemaduras: entre estas superficies están (identificación de las superficies: por ejemplo las aberturas de ventilación del horno y las superficies cerca de estas aberturas, las puertas del horno y las ventanas de las puertas del horno).

- Para minimizar la posibilidad de quemaduras, el incendio de materiales inflamables y derrames, la manija de un contenedor debe estar hacia el centro de la parte superior de la cocina sin que se extienda sobre los unidades de superficie cercanas.
- Use solamente ciertos tipos de vidrios, cerámica resistente al calor, loza y otros utensilios de vidrio que son adecuados para el usar en la parte superior de la cocina.

## Seguridad para los niños

- Los materiales de empaque serán peligrosos para los niños. Mantenga los materiales de empaque lejos de los niños. Deseche todas las piezas de empaque de acuerdo con las normas ambientales.

## Seguridad al trabajar con electricidad

El equipo eléctrico defectuoso es una de las principales causas de incendios en el hogar.

- Cualquier trabajo en el equipo eléctrico y en los sistemas solamente debe ser realizado por personas calificadas autorizadas.
- En caso de daño, apague el aparato y desconéctelo de la alimentación principal al retirar el fusible o apagar el disyuntor.
- Asegúrese de que el valor nominal del fusible sea correcto.
- No opere el aparato si está descalzo.
- Nunca toque el aparato con las manos o los pies húmedos.
- No enjuague los elementos calentadores extraíbles. Los elementos calentadores nunca se deben sumergir en agua.

## Uso específico

El aparato está diseñado para el uso doméstico solamente. El uso comercial no es admisible.

Este aparato es para cocinar solamente. No se debe usar para otros fines.

## Nunca use su aparato para calentar una habitación

El fabricante no se hace responsable por cualquier daño causado por el uso incorrecto o los errores de manipulación.

La vida de servicio de su producto es de 10 años. El fabricante debe proporcionar las piezas de repuesto requeridas para que el producto funcione como se define durante este período.

## Eliminación

### Material de empaque

 **PELIGRO:** Riesgo de sofocación por el material de empaque.

Los elementos de empaque (es decir, bolsas de plástico, espuma de poliestireno, clavos, correas de empaque, etc.) no se deben dejar al alcance de los niños ya que pueden causar lesiones graves.

El material de empaque y los bloqueos de transporte están hechos de materiales que no son nocivos para el ambiente. Deseche todas las piezas de empaque de acuerdo con las normas ambientales. Esto es beneficioso para el ambiente.

## **Transporte futuro**

No realice las operaciones de limpieza o mantenimiento en el aparato sin haberlo desconectado previamente de la alimentación eléctrica.

**i AVISO:** No coloque otros elementos en la parte superior del aparato. El aparato se debe transportar de forma vertical.

Guarde la caja original del aparato y transporte el aparato en su caja original. Siga las marcas de guía que están impresas en la caja.

## **i IMPORTANTE:**

Verifique la apariencia general de su equipo al identificar el daño posible durante el transporte.

### **Si no tiene la caja original.**

Empaque el aparato en un plástico de embalaje con burbujas de aire o cartón grueso y péguelo con cinta de forma segura para evitar el daño durante el transporte.



## 2 INSTALACIÓN

**i IMPORTANTE:** Guarde para que lo use el inspector eléctrico.

### Antes de la instalación

La placa de inducción está diseñada para instalarse en una mesada comercial. Se debe dejar una distancia de seguridad entre el aparato y las paredes de la cocina y los muebles. Vea la figura (valores en mm).

- También se puede usar en posición vertical. Deje una distancia mínima de 750 mm sobre la superficie de la placa de inducción.
- (\*) Si se va a instalar una campana de cocina sobre la cocina, consulte las instrucciones del fabricante de la cocina para conocer la altura de instalación (min 650 mm)
- Retire los materiales de embalaje y las trabas de transporte.
- Las superficies, laminados sintéticos y adhesivos usados deben ser resistentes al calor (100 °C como mínimo).
- La mesada debe estar alineada y fijada horizontalmente.
- Corte la apertura para la placa de inducción en la mesada según las dimensiones de instalación.
- Cumpla con todos los códigos y ordenanzas vigentes.
- Anote el modelo y los números de serie antes de instalar la parte superior de la cocina. Ambos números están en el cuadro en la placa de características ubicadas en la parte inferior del cuadro de la cocina.

- Para eliminar el riesgo de quemaduras al alcanzar las unidades de la superficie calentadas, se debe evitar el espacio de almacenamiento en el gabinete sobre las unidades de la superficie. Si se usa el almacenamiento del gabinete, el riesgo se puede reducir al instalar una campana de la cocina que sale horizontalmente un mínimo de 5 pulgadas (12,7 cm) más allá del fondo de los gabinetes.

### Instalación y conexión

**i IMPORTANTE:** No instale el aparato al lado de refrigeradores o congelador. El calor emitido por el aparato causará un mayor consumo de energía de los aparatos de refrigeración.

- Para la instalación el aparato se debe de acuerdo con todas las regulaciones eléctricas locales.

### Notas importantes para el consumidor

Guarde este manual para referencia futura.

- Si la información en este manual no se sigue exactamente, puede ocurrir una explosión o incendio causando lesiones personales o la muerte.
- No almacene ni use gasolina u otros vapores o líquidos inflamables cerca de este aparato o de cualquier otro.

**Puede morir o lesionarse gravemente si no sigue DE INMEDIATO las instrucciones.**

## **Notas importantes para el instalador**

Lea el manual antes de instalar el horno.

Cumpla con todos los códigos y ordenanzas vigentes.

Asegúrese de dejarle estas instrucciones al consumidor.

Asegúrese de que su horno sea instalado por un instalador calificado o técnico de servicio y que le hagan una descarga a tierra adecuada.

# Dimensiones del producto y requerimientos de espacio.

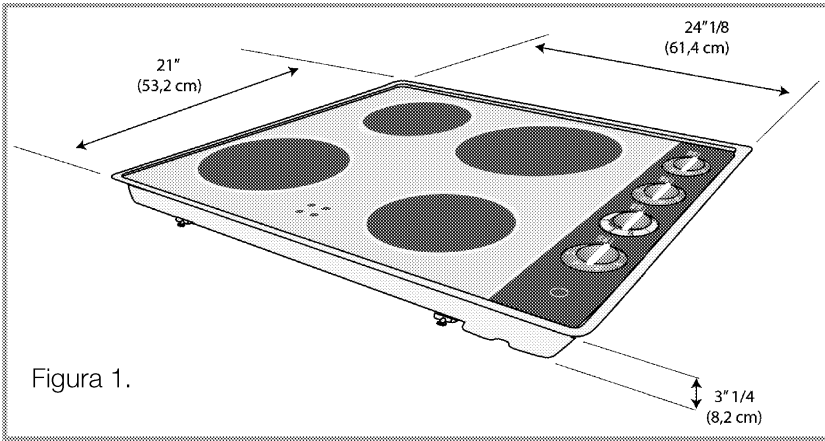


Figura 1.

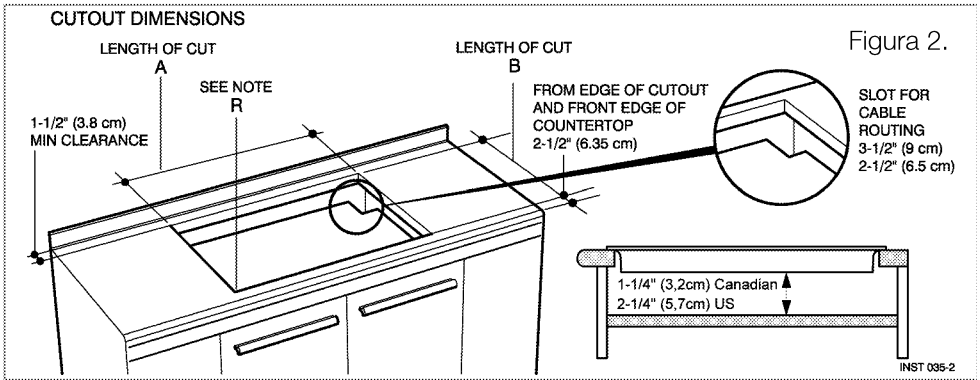
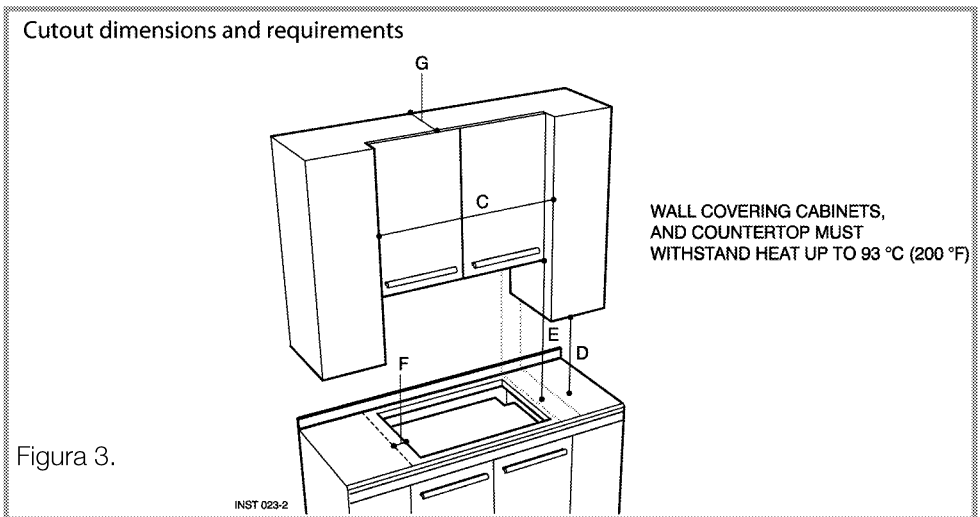


Figura 2.



| ANCHO DEL ESPACIO   | A  | B  | C                    | D  | E   | F   | G   |
|---|--|--|----------------------|--|---|---|---|
| 24"-1/8<br>(61,4 cm)  | 22"-5/8<br>(57,5 cm)<br>22"-6/8<br>(58 cm) | 19"-1/2<br>(49,4 cm)<br>19"-5/8<br>(49,8 cm) | 24"-1/8<br>(61,4 cm) | 18" (45,7 cm) min<br>Altura desde el mostrador hasta el gabinete más cercano a cada lado de la unidad  | 24"-1/8<br>(61,4 cm) min. (vea la nota*)<br>Distancia desde el mostrador hasta la superficie elevada sin protección | 2" (5 cm) min.<br>Distancia entre el espacio hasta la pared lateral a la izquierda y derecha de la unidad | 13" (33 cm)<br>Profundidad de los gabinetes elevados sin protección |
| <b>IMPORTANTE</b><br>Abajo de la parte superior de la cocina es necesario instalar una partición, con espacio de 15 cm como mínimo, desde la parte inferior del aparato como se muestra en la figura 3. |  |  |                      | <b>* NOTA</b><br>Distancia de 24" (61 cm) si la parte inferior de los gabinetes de madera o metal está protegida por un cartón con retardador de llamas de no menos de 1/4" (0,6 cm) cubierto por una hoja de acero N.º 28 MSG de no menos de 0,015" (0,04 cm) o de aluminio de 0,024" (0,60 cm) o cobre de 0,020" (0,05 cm). 24" 1/8 (61,4 cm) de distancia mínima entre la parte superior de la plataforma de cocción y la parte inferior del gabinete de metal o madera sin protección. |   |   |   |

## Sugerencias de preparación importantes

1. Bisele todos los bordes expuestos del laminado decorativo para evitar daños por los cortes.
2. Biselas las esquinas del espacio y limar para asegurar bordes suaves y evitar grietas en las esquinas. Se recomienda perforar orificios de 1/4" o 3/8" de diámetro en cada esquina.
3. Los bordes ásperos, dentro de las esquinas no se redondearon y la colocación forzada puede generar grietas en el laminado del mostrador.

**Esta parte superior de la cocina se diseñó con tolerancias de ancho del espacio para cubrir los reemplazos posibles con otras marcas. Le recomendamos que considere la dimensión mínima del tamaño del espacio en caso de una nueva instalación. Algunos tamaños de espacio para reemplazos posibles:**

| Dimensiones | Pulgadas          | cm        |
|-------------|-------------------|-----------|
| 24"         | 22"-6/8 x 19"-5/8 | 58 x 49,8 |

## Instalación de la parte superior de la cocina

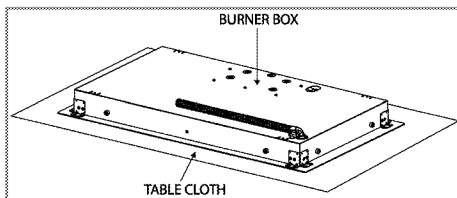
**i IMPORTANTE:** Riesgo de peso excesivo

Use dos o más personas para mover e instalar la parte superior de la cocina. Si no lo hace puede dañarse la espalda o sufrir otra lesión.

**i IMPORTANTE:** Riesgo de corte. Tenga cuidado con los bordes filosos. Use los extremos de poliestireno al transportar el producto. Si no se tiene cuidado puede sufrir lesiones menores o cortes.

- Siempre consulte al fabricante del mostrador para conocer las instrucciones específicas.
- Asegúrese de que el mostrador sea cuadrado y esté nivelado, y asegúrese de que los miembros estructurales no interfieran con los requerimientos de espacio.
- Prepare el espacio de acuerdo con las instrucciones (vea las dimensiones de espacio).
- Asegúrese de que las coberturas de la pared, el mostrador y los gabinetes alrededor de la parte superior de la cocina puedan soportar el calor (hasta 200 °F / 93 °C).

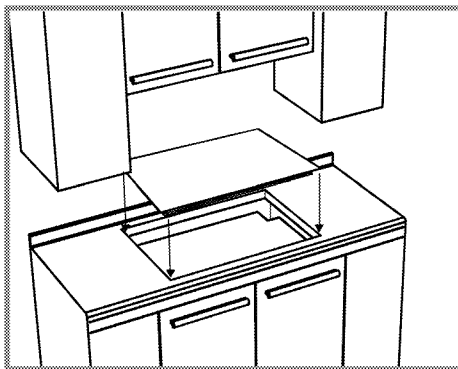
1. Retire los materiales de embalaje y la documentación de la parte superior de la cocina antes de comenzar la instalación. Retire el manual de instalación del paquete de documentos y léalo con cuidado antes de comenzar.
2. Coloque una toalla o paño sobre el mostrador. Apoye la parte superior de la cocina sobre la superficie protegida.



3. En las placas de inducción cuyos bordes tienen marcos, aplique la junta de sellado proporcionada en el paquete para los bordes de la cubierta de la base del aparato desde abajo.

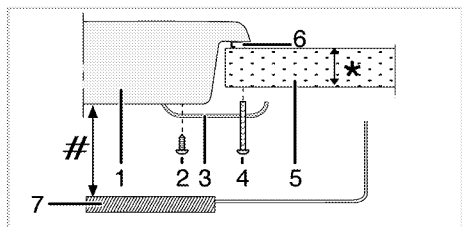


4. Inserte la parte superior de la cocina en la apertura del espacio. Asegúrese de que el borde delantero del mostrador esté paralelo a la parte superior de la cocina. Realice una revisión final para ver que se cumplan todas las distancias requeridas.



4. Los soportes de la abrazadera se proporcionan para clavar la parte superior de la cocina al mostrador. Apriete los tornillos justo para sostener los soportes en lugar cuando la parte superior de la cocina se coloca en el espacio. Apriete los tornillos de forma segura. Conéctelo

a los orificios en la carcasa inferior como se indica en la figura.



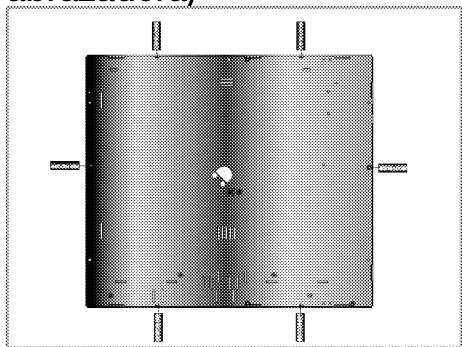
\* 20 como mínimo y 40 mm como máximo

# 50 mm como mínimo

1. Placa de inducción
2. Tornillo (pequeño)
3. Abrazadera de fijación
4. Tornillo (grande)
5. Mesada
6. Junta de sellado
7. Estante divisor

**i IMPORTANTE:** Gire el tornillo hasta que toque la parte inferior de la encimera. No apriete demasiado.

### Vista inferior (orificios para la abrazadera)



**i IMPORTANTE:** Sujetar con abrazaderas en diferentes orificios no es una buena práctica con respecto a la seguridad ya que puede dañar el sistema eléctrico y de gas.

**i IMPORTANTE:** Al instalar la placa de inducción sobre una alacena, se debe instalar un estante divisor como se muestra en la imagen anterior. Si se instala sobre un horno integrado, no se requiere esto

Si, por ejemplo, debido a la colocación del aparato sobre un cajón, el lado inferior del aparato se puede tocar, debe estar cubierto por una placa de madera.

## Conexión a la alimentación principal

**i IMPORTANTE:** Este aparato debe tener una descarga a tierra adecuada para evitar el riesgo eléctrico.

Nuestra empresa no se hace responsable por los daños causados al usar el aparato sin un receptáculo con descarga a tierra.

Esta placa de inducción debe tener una descarga a tierra eléctrica de acuerdo con los códigos locales, o en su ausencia, con el Código eléctrico nacional ANSI/NFPA N.º 70, la última edición, en Estados Unidos.

La instalación debe ser realizada por un electricista con licencia.

**⚠ PELIGRO:** Riesgo de descarga eléctrica, circuito eléctrico o incendio por el daño de la alimentación principal.

El cable de la alimentación principal no debe estar pinzado, doblado o atrapado ni debe estar en contacto con partes calientes del aparato.

Si el cable de alimentación principal está dañado, debe ser reemplazado por un electricista calificado.

**⚠ PELIGRO:** Desconecte la alimentación antes de reparar el producto. Si no lo hace podría morir o sufrir una descarga eléctrica.

- Los datos de la alimentación principal deben corresponder con los datos especificados en la placa de características del aparato. La placa de características está ubicada cerca de la carcasa del aparato.
- El cable de alimentación del aparato debe corresponder con las especificaciones y el consumo de energía, ve las especificaciones técnicas.

**⚠ PELIGRO:** Antes de comenzar cualquier trabajo en la instalación eléctrica, desconecte el producto de la alimentación principal. Existe un riesgo de descarga eléctrica

**i IMPORTANTE:** La instalación eléctrica debe cumplir con los códigos locales y nacionales.

Esta parte superior de la cocina no requiere una conexión neutra. Si la parte superior de la cocina va está completamente cubierta en un gabinete, alimente el cable de la parte superior de la cocina por una apertura en el gabinete. Realice la conexión eléctrica siguiendo los pasos adecuados para su instalación. Su parte superior de la cocina debe estar conectada a la tensión eléctrica adecuada y frecuencia según se especifica en la tabla de la derecha.

**Conecte con un cable de cobre**

**solamente**

Si la casa tiene un cableado de aluminio, siga el procedimiento que se encuentra a continuación:

1. Conecte el cableado de aluminio al cable de cobre usando conectores especiales diseñados y aprobados por Underwriters Laboratories para unir cobre con aluminio. Siga el procedimiento recomendado del fabricante para el conector eléctrico.
2. La conexión de aluminio con cobre debe cumplir con los códigos locales y las practicas de cableado aceptadas por la industria.

El conducto flexible (suministrado) de 3 pies de largo (100 cm) ubicado en la parte trasera derecha de la caja inferior de la parte superior de la cocina se debe conectar directamente en la caja de conexiones. No corte el conducto. Se debe proporcionar un conector de conducto aprobado por A.U.L. o GSA en cada extremo del cable de alimentación (en la parte superior de la cocina y en la caja de conexiones). Se recomienda un disyuntor o fusible con temporizador. No hacer la descarga a tierra en una tubería de gas. No tenga un fusible en el circuito neutro o de conexión a tierra. Fusible en ambas líneas de suministro (fase).

**i IMPORTANTE:** La conexión incorrecta del cableado doméstico de aluminio con los cables de cobre puede causar un problema serio.

**National Fire Protection Association** (Asociación nacional de protección contra incendios) Bat-ter/march Park Quincy, Massachusetts 02269

Se debe proporcionar un sistema eléctrico con 60 ciclos, fase simple, tres cables y 240 voltios (circuito correctamente protegido para cumplir

con los códigos locales de NFPA N.º 70). La unidad se debe conectar a tierra correctamente de acuerdo con el código de cableado local. El siguiente cuadro recomienda un protector de circuito mínimo y un tamaño de cable si el aparato es la única unidad en el circuito. Si se usan cables más pequeños, la eficiencia de la unidad se reducirá y se puede crear un riesgo de incendio. Se recomienda que el cableado eléctrico y la conexión sean realizados por un electricista competente.

Asegúrese de que su aparato esté correctamente instalado y conectado a tierra por un técnico calificado. Pídale a su distribuidor que le recomiende un técnico calificado o un servicio de reparación autorizado. Esta parte superior de la cocina no requiere una conexión neutra. Si la parte superior de la cocina va está completamente cubierta en un gabinete, alimente el cable de la parte superior de la cocina por una apertura en el gabinete. Realice la conexión eléctrica siguiendo los pasos adecuados para su instalación.

Este aparato se fabrica con un cable a tierra verde conectado al chasis de la parte superior de la cocina. Luego de asegurarse de que se apagó la alimentación, conecte el conducto flexible desde la parte superior de la cocina a la caja de conexión usando un conector de conducto homologado por UL. Las figuras 13 y 14 y las instrucciones proporcionadas debajo presentan la manera más común de conectar las partes superiores de la cocina. Su códigos y ordenanzas locales, por supuesto, tienen precedencia sobre estas instrucciones. Complete las conexiones

eléctricas de acuerdo con los códigos y ordenanzas locales

**⚠ PELIGRO: Riesgo de descarga eléctrica, marco con conexión a tierra en neutro del aparato mediante un enlace.**

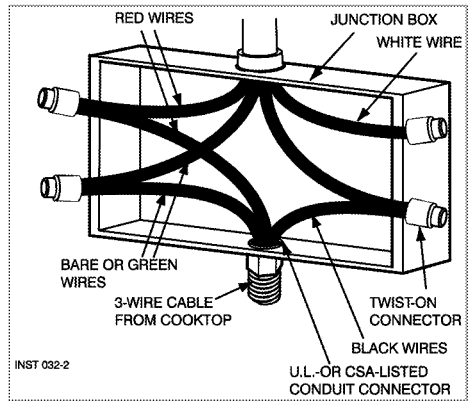
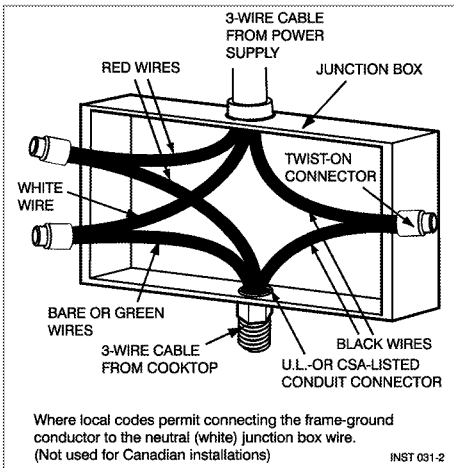
La descarga a tierra mediante el conductor neutro está prohibida para las instalaciones de circuitos derivados nuevos (1996 NEC) en casa rodante y vehículos de recreo o en áreas donde los códigos locales prohíben la descarga a tierra mediante el conductor neutro.

### 3 - Circuito derivado

Donde los códigos locales permite la conexión del cable a tierra desde la parte superior de la cocina al cable neutro en el circuito derivado (cable gris o blanco) proceda de la siguiente manera (consulte la figura 13).

1. Si los códigos locales lo permiten, conecte el cable A TIERRA verde desde la parte superior de la cocina al cable neutro del circuito derivado (cable gris o blanco).
2. Conecte los cables rojo y negro desde la parte superior de la cocina a los cables correspondientes en la caja de conexiones.





## Revisión final

1. Conecte el aparato a la alimentación eléctrica y encienda la alimentación.
2. Revise la función.

## 4 - Circuito derivado

Consulte la figura 14:

1. Conecte el cable a tierra verde desde la parte superior de la cocina al cable a tierra en la caja de conexiones (cable desnudo o verde).
2. Conecte los cables rojo y negro desde la parte superior de la cocina a los cables correspondientes en la caja de conexiones.
3. Conecte el cable blanco desde la parte superior de la cocina al cable neutro (gris o blanco) en la caja de uniones.
4. Conecte y aisle el neutro (cable gris o blanco) en la caja de conexiones.

## 3 PREPARACIÓN

### Consejos para ahorrar energía

Los siguientes consejos lo ayudarán a usar su aparato de forma ecológica y a ahorrar energía:

- Descongele las comidas congeladas antes de cocinarlas.
- Use recipientes/bandejas con la cubierta para cocinar. Si no hay una cubierta, el consumo de energía puede aumentar 4 veces.
- Seleccione el quemador que es adecuado para el tamaño del fondo de la cacerola a usar. Siempre seleccione el tamaño correcto de cacerola para sus platos. Las cacerolas más grandes requieren más energía.
- Preste atención al usar cacerolas planas cuando cocina con las placas de inducción.

Las cacerolas con partes inferiores gruesas proporciona una mejor conducción del calor. Puede obtener ahorros de energía de hasta 1/3.

- Los recipientes y cacerolas deben ser compatibles con las zonas de cocción. La parte inferior de los recipientes o cacerolas no debe ser más pequeña que la placa caliente.
- Mantenga las zonas de cocción y la parte inferior de las cacerolas limpias. La suciedad puede disminuir la conducción de calor entre la zona de cocción la parte inferior de la cacerola.

- Para cocciones prolongadas, apague la zona de cocción 5 o 10 minutos antes de finalizar el tiempo de cocción. Puede obtener ahorros de energía de hasta el 20% usando el calor residual.

### Operación inicial

#### Primer limpieza del aparato

**i IMPORTANTE:** Cuando se retira el aparato para limpiarlo o repararlo;

Desconecte la alimentación de CA.

Con cuidado retire el horno al tirar hacia afuera.

El horno es pesado, tenga cuidado al manipularlo.

**i AVISO:** La superficie se puede dañar con algunos detergentes o materiales de limpieza.

No use detergentes agresivos, polvo/crema de limpieza ni objetivos filosos. Tenga cuidado para evitar quemaduras por vapor. Algunos agentes de limpieza pueden producir humos nocivos si se aplican en una superficie caliente.

1. Retire todos los materiales de empaque.
2. Limpie las superficies del aparato con un paño húmedo o esponja y seque con un paño.

## 4 CÓMO USAR LA PLACA DE INDUCCIÓN

### Información general sobre la cocción



#### **PELIGRO:** Riesgo de incendio por aceite sobrecalentado

Cuando calienta aceite, no lo deje sin supervisión.

**Nunca intente apagar el fuego con agua** Cuando el aceite se prende fuego, cubrir de inmediato el recipiente o cacerola con una tapa. Apague el quemador/placa si es seguro hacerlo y llame al servicio de incendios.

Use solamente recipientes o cacerolas con fondos planos.

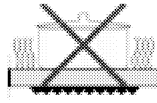
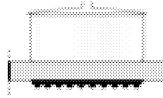
- Use recipientes que tienen capacidad suficiente para la cantidad de alimento que se está cocinando para que no se rebalsen al hervir y haya que limpiar.
- No coloque tapas en los quemadores.
- Siempre coloque cacerolas sobre los quemadores. Al transferir las cacerolas desde un quemador a otro siempre levante las cacerolas no las deslice.
- Este aparato está equipado con una o más unidades de la superficie de diferente tamaño. Seleccione los utensilios que tienen fondos planos lo suficientemente grande como para cubrir el elemento calentador de la unidad de la superficie. El uso de utensilios con tamaño más chico expondrá una parte del elemento calentador al contacto directo y puede causar un incendio de la ropa. La relación adecuada de utensilio con el quemador también mejorará la eficiencia.

- Nunca deje las unidades de la superficie no atendidas colocadas en calor alto. Los derrames por haber hervido causan humo y salpicaduras de grasa que pueden prenderse fuego.
- Asegúrese de que las cacerolas del receptor o los recipientes de goteo estén en el lugar. La ausencia de estas cacerolas o recipientes durante la cocción puede someter al cableado o a las componentes de abajo al daño.

### Consejos para el quemador/placa de cerámica

- La superficie de cerámica es resistente al calor y no es sensible a los grandes cambios de temperatura.
- No use el quemador/placa de cerámica para guardar los objetos o como superficie de corte.  
No cocine pochoclo en contenedores de aluminio preempacados sobre la cocina. Pueden dejar marcas de aluminio que no se pueden quitar por completo.
- Use un recipiente o bandejas con fondos afilados. Los bordes filosos causan rayones en la superficie.
- No use cacerolas y recipientes de aluminio. El aluminio daña la superficie de cerámica.
- Solamente ciertos tipos de vidrio, vidrio/cerámica, loza y otros utensilios de vidrio son adecuados para el servicio de la parte superior del horno sin que se rompan debido al cambio brusco de temperatura.

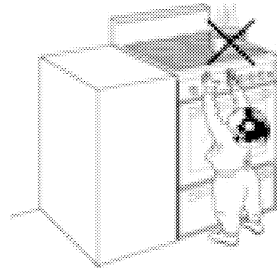
- No cocine alimentos directamente en la parte superior de la cocina.
- Para los alimentos que contiene azúcar en cualquier forma, limpie todas las salpicaduras y manchas lo antes posible. Deje que la tapa de la cocina se enfríe un poco. Luego, usando guantes para horno, retire las salpicaduras mientras la superficie todavía está tibia. Si deja enfriar las salpicaduras de azúcar, se pueden adherir a la tapa de la cocina y se puede picar o hacer marcas permanentes.
- Si se usa una esponja o trapo húmedo para limpiar las salpicaduras en un área de cocción caliente, tenga cuidado para evitar una quemadura por el vapor. Algunos agentes de limpieza pueden producir humos nocivos si se aplican en una superficie caliente. Las manijas de los utensilios se deben colocar hacia adentro y no deben extenderse sobre las unidades de superficie adyacente. Para reducir el riesgo de quemaduras, incendio de los materiales inflamables y salpicaduras debido al contacto no intencional con el utensilio, la manija de un utensilio se debe colocar hacia adentro y no se debe extender sobre las unidades de superficie adyacente.



Use un recipiente o bandejas con fondos suaves. Aseguran una buena transferencia del calor.

Si la cacerola es demasiado pequeña se desperdicia energía.

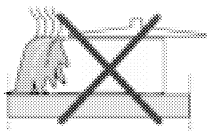
## PELIGRO:



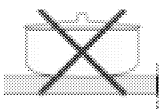
### Volcado de la cacerola

Asegúrese de que las manijas del utensilio de cocina no sobresalgan sobre el borde del aparato para evitar que se golpeen por accidente. Esto también hace que sea más difícil para los niños alcanzar las cacerolas.

- Asegúrese de que las manijas de las cacerolas no se puedan agarrar o golpear por accidente y que zonas de calentamiento adyacentes no las calienten. Evite las cacerolas que no son estables y se pueden volcar fácilmente. Las cacerolas que son demasiado pesadas para moverse fácilmente cuando se llenan también son un riesgo.



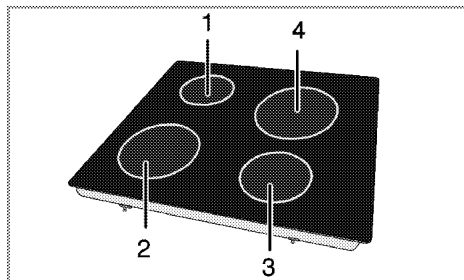
Las salpicaduras pueden dañar la superficie de cerámica y causar un incendio.



No use recipientes que tiene fondos cóncavos o convexos.

No almacene los elementos de interés de los niños en gabinetes sobre un horno o en el protector trasero del horno. Los niños que se trepan al horno para alcanzar elementos se pueden lesionar gravemente.

## Cómo usar los quemadores/placas



- 1 Placa de cocción de un solo circuito 5,5 - 6,3
- 2 Placa de cocción de un solo circuito 7 - 8 pulgadas
- 3 Placa de cocción de un solo circuito 5,5 - 6,3
- 4 Placa de cocción de un solo circuito de 7-8 pulgadas es la lista de cacerolas de diámetro aconsejado a usar en los quemadores relacionados.

### **⚠ PELIGRO: Vidrio roto**

No deje que los objetos se caigan en la placa. Incluso los objetos pequeños (por ej. salero) pueden dañar el quemador/placa.

No use las placas de cerámica con grietas. El agua puede entrar en las grietas y causar un corto circuito.

Si se la superficie se daña de cualquier forma (por ej. grietas visibles) apague de inmediato el dispositivo para reducir el riesgo de descarga eléctrica.

Si la tapa de la cocina se rompe, las soluciones de limpieza y las salpicaduras pueden penetrar en la tapa de la cocina rota y crear un riesgo de descarga eléctrica. Comuníquese de inmediato con un técnico calificado.

El quemador/placa de cerámica está equipado con una lámpara de funcionamiento y un indicador de calor residual.

El indicador de calor residual indica la posición de la placa encendida y permanece iluminado después de que se apaga. (Cuando la temperatura de la placa cae debajo de la temperatura que se puede tocar, la luz del indicador se apaga). La iluminación de parpadeo débil no es un problema en la luz del indicador de calor residual.

### **ⓘ AVISO:**

Las placas de cerámica de calentamiento emiten una luz brillante cuando están encendidas. No mire la luz brillante.

## Encendido de la placa

Las perillas de control del quemador/placa se usan para operar las placas. Para obtener la potencia de cocción deseada, presione y gire las perillas de control del quemador/placa al nivel correspondiente.

| Nivel de cocción | 1        | 2                             | 3             |
|------------------|----------|-------------------------------|---------------|
|                  | calentar | estofar, hervir a fuego lento | cocinar, asar |

## Apagado de la placa

Gire la perilla de control de la placa a la posición de apagado (arriba).

## 5 MANTENIMIENTO Y CUIDADO

### Información general

La vida de servicio del producto se extenderá y la posibilidad de problemas disminuirá si el producto se limpia regularmente.

#### PELIGRO:

##### Riesgo de descarga eléctrica

Apague la electricidad antes de limpiar el aparato para evitar una descarga eléctrica.

#### PELIGRO:

Las superficies calientes pueden causar quemaduras

Deje que el aparato se enfríe antes de limpiarlo.

#### AVISO:

La superficie se puede dañar con algunos detergentes o materiales de limpieza.

No use detergentes agresivos, polvo/ crema de limpieza ni objetivos filosos. Tenga cuidado para evitar quemaduras por vapor. Algunos agentes de limpieza pueden producir humos nocivos si se aplican en una superficie caliente.

No use limpiadores abrasivos o raspadores de metal filosos para limpiar el vidrio de la puerta del horno ya que pueden rayar la superficie, lo cual puede romper el vidrio.

- Limpie minuciosamente el producto después de cada uso. De esta manera, será posible eliminar los residuos de cocción más fácilmente, por lo tanto evite que estos elementos se quemen la próxima vez que se use el aparato.
- No se requieren agentes de limpieza especiales para limpiar el producto.

Use agua caliente con líquido de enjuague, un paño suave o esponja para limpiar el producto y límpielo con un paño seco.

- Siempre asegúrese de que el exceso de líquido se saque minuciosamente después del limpiar y que cualquier derrame se seque de inmediato.
- No use agentes de limpieza que contienen ácido o cloruro para limpiar las superficies de acero inoxidable y la manija. Use un paño suave con detergente líquido (no abrasivo) para limpiar esas partes, prestando atención de barrer en una dirección.

#### IMPORTANTE:

No use limpiadores a vapor para limpiar.

### Cómo limpiar el quemador/placa

#### Placas de cerámica

Limpie la superficie de cerámica usando un paño húmedo con agua fría sin dejar agente de limpieza en ella. Seque con un paño seco y suave. Los residuos pueden causar daño en la superficie de cerámica al usar la placa de inducción la próxima vez.

Los residuos secos en la superficie de cerámica no se deben raspar, bajo ninguna circunstancia, con hojas en forma de gancho, lana de acero o herramientas similares.

Retire las manchas de calcio (manchas amarillas) con una pequeña cantidad de removedor de cal como vinagre o jugo de limón. También puede usar productos disponibles en comercios.

Si la superficie está muy dañada, aplique el agente de limpieza en una esponja y espere hasta que se absorba bien. Luego, limpie la superficie de la placa de inducción con un paño húmedo.

## **IMPORTANTE:**

Las comidas basadas en azúcar como la crema y el jarabe se deben raspar de inmediato sin esperar que la superficie se enfríe. De lo contrario el quemador/placa se puede dañar de forma permanente.

Una leve decoloración puede ocurrir en los revestimientos y otras superficies. Esto no afectará el funcionamiento del producto.

## **Limpieza del panel de control**

### **AVISO:**

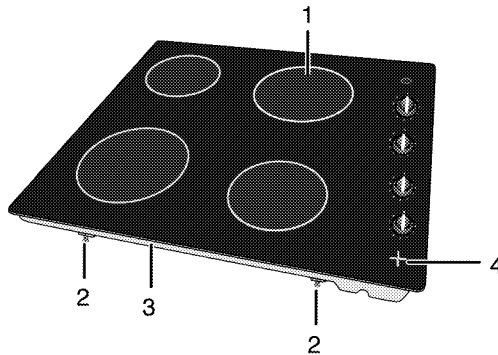
No retire los botones de control o perillas para limpiar el panel de control.

El panel de control se puede dañar.

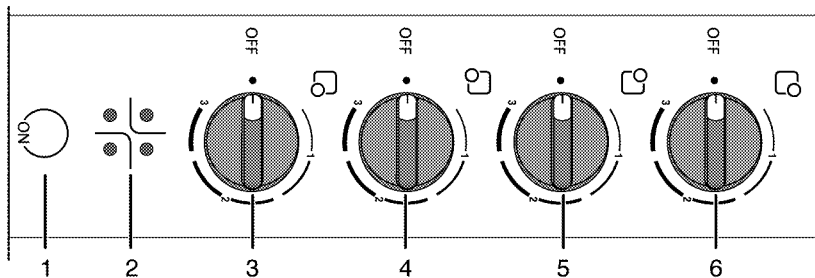
Limpie el panel de control y las perillas con un paño suave y séquelos.

# 6 INFORMACIÓN GENERAL

## Descripción general



- 1 Placa de cocción de un solo circuito
- 2 Abrazadera del ensamble
- 3 Cubierta de la base
- 4 Luz del indicador de calor de la placa de inducción



- 1 Luz del On-Off
- 2 Luz del indicador de calor de la placa de inducción
- 3 Placa de cocción de un solo circuito delantera derecha
- 4 Placa de cocción de un solo circuito delantera izquierda
- 5 Placa de cocción de un solo circuito posterior izquierda
- 6 Placa de cocción de un solo circuito posterior derecha



## Datos técnicos

| <b>GENERALES</b>                                   |   |
|--|---|
| Voltaje/frecuencia                                 | 120/240V ~ 60 Hz                            |
| Potencia eléctrica total                           | 6 kW  |
| Protección del fusible                             | min. 25 A                                   |
| Tipo de cable /sección transversal                 | DTR 4x10 AWG                                |
| Longitud del cable                                 | max. 6 pies                                 |
| Dimensiones exteriores (altura/ancho/ profundidad) | 3 1/4 /24 1/8 / 21 pulgadas                 |
| Dimensiones de instalación (ancho/ profundidad)    | 22 5/8 - 22 6/8 X 19 1/2 - 19 5/8 pulgadas  |
| <b>Quemadores</b>                                  |   |
| Izquierdo posterior                                | <b>Placa de cocción de un solo circuito</b> |
| Tamaño   | 13.97 cm                                    |
| Potencia   | 1200 W                                      |
| Izquierda delantera                                | <b>Placa de cocción de un solo circuito</b> |
| Tamaño   | 17.78 cm                                    |
| Potencia   | 1800 W                                      |
| Derecha delantera                                  | <b>Placa de cocción de un solo circuito</b> |
| Tamaño   | 13.97 cm                                    |
| Potencia   | 1200 W                                      |
| Derecha posterior                                  | <b>Placa de cocción de un solo circuito</b> |
| Tamaño   | 17.78 cm                                    |
| Potencia   | 1800 W                                      |

## 7 SOLUCIÓN DE PROBLEMAS

### PELIGRO:

**Riesgo de descarga eléctrica, cortocircuito o incendio por reparaciones no profesionales.**

Las reparaciones en el aparato deben ser realizadas por un centro de servicio aprobado.

### Condiciones de funcionamiento normal

- Se puede emitir humo y olor durante un par de horas durante la primera operación.
- Es normal que el vapor escape durante la operación.
- Cuando se calientan las partes de metal, pueden expandirse y causar ruido.

**Antes de llamar al servicio, revise los siguientes puntos**

### Equipo eléctrico

| Falla/problema          | Causa posible  | Consejo/solución   |
|-------------------------|--|--|
| El aparato no funciona. | El fusible de alimentación principal es defectuoso o se desconectó.                  | Revise los fusibles en la caja de fusibles. Si es necesario, cámbielos o restablézcalos. |
|                         | El enchufe del aparato no se pueden conectar al tomacorriente con descarga a tierra. | Revise la conexión del enchufe.  |

Si el problema no se resolvió:

1. Separe la unidad de la alimentación principal (desactive o destornille el fusible).
2. Llame al servicio de postventa de su revendedor de la tienda.

### IMPORTANTE:

No intente reparar el aparato usted mismo. No hay elementos de servicio al cliente dentro del aparato.

# 8 DECLARACIÓN DE LA GARANTÍA para **Blomberg**

## los hornos eléctricos y a gas de Blomberg

### (hornos de pared / encimeras)

Las garantías proporcionadas por Blomberg en estas declaraciones sólo se aplican a los aparatos de cocina Blomberg (hornos de pared / encimeras) vendidos al comprador original o propietario doméstico en EE.UU. y Canadá. La garantía no es transferible. Para obtener el servicio en garantía, póngase en contacto con nuestro distribuidor más cercano, según se muestran en la lista por estados. Necesitará el número de modelo, número de serie, nombre y dirección del comercio donde haya adquirido el producto (horno de pared / encimera) y la fecha de compra / fecha de instalación. Esta garantía le confiere derechos legales específicos, y usted puede tener otros derechos que varían entre los diferentes estados.

De acuerdo con la garantía limita de un 1 año\* a partir de la fecha de la primera instalación, Blomberg reparará o sustituirá, sin coste alguno para el consumidor, las piezas defectuosas de los aparatos de cocina (hornos de pared / encimeras) si se utilizan bajo condiciones domésticas normales (la garantía queda anulada si se da al producto un uso comercial). El servicio será prestado por un servicio técnico autorizado de Blomberg, **de lo contrario, la garantía quedará anulada**. (Deberá informar de los defectos cosméticos en un plazo no superior a 10 días tras la instalación)

De acuerdo con la garantía limitada de 2 años \* ++ a partir de la primera instalación (sólo piezas), Blomberg reparará o sustituirá cualquier pieza sin coste alguno para el consumidor si defectos en los materiales o mano de obra han causado el daño o fallo de estos componentes. De nuevo, el aparato deberá utilizarse bajo condiciones domésticas normales y no comerciales, como se ha indicado anteriormente (los gastos de mano de obra son responsabilidad del consumidor)

De acuerdo con la garantía limitada de 5 años \* +++ a partir de la primera instalación (sólo piezas 2-5 años), Blomberg reparará o sustituirá cualquier tarjeta de circuito sin coste alguno para el consumidor si defectos en los materiales o de mano de obra **de un servicio técnico autorizado** han causado el daño o fallo de estos componentes. Los aparatos de cocina (hornos de pared / encimeras) deberán utilizarse bajo condiciones domésticas normales y no comerciales (los gastos de mano de obra son responsabilidad del consumidor)

Garantía limitada de por vida a partir de la fecha de la primera instalación \*+++ (sólo piezas)

Renuncia a las garantías y exclusiones: la garantía no cubre los costes de servicio de un servicio técnico autorizado para corregir la instalación, problemas eléctricos o impartir instrucciones en relación con el uso de los aparatos de cocina (hornos de pared / encimeras). La garantía tampoco cubre defectos o daños causados por una circunstancia de causa mayor (por ejemplo, tormentas, inundaciones, incendios, avalanchas de lodo, etc.), los daños causados por el uso de los aparatos de cocina (hornos de pared / encimeras) para fines diferentes de aquellos para los que han sido diseñados, usos indebidos, abusos, accidentes, alteraciones, instalación o mantenimiento inadecuados, gastos de desplazamiento, llamadas de servicio fuera de los horarios normales de trabajo, trabajos o trabajos de servicios no autorizados.

Este producto ha sido totalmente probado y se ha sometido a inspecciones de aseguramiento de calidad oficiales antes de su salida desde el emplazamiento de fabricación original. Las condiciones de garantía para este aparato Blomberg no tendrán validez si el producto ha sido alterado o modificado, si se han añadido piezas adicionales, ha sido fijado o reembalado por un distribuidor autorizado, personal de mantenimiento, terceros, revendedores o cualquier otra persona o personas no autorizadas.

EN EL GRADO PERMITIDO POR LA LEY, ESTA GARANTÍA SUSTITUYE A CUALQUIER OTRA GARANTÍA EXPRESA O IMPLÍCITA, INCLUIDAS LAS GARANTÍAS IMPLÍCITAS DE COMERCIABILIDAD Y ADECUACIÓN PARA UN FIN PARTICULAR. BLOMBERG NO ACEPTA NINGUNA RESPONSABILIDAD SOBRE LA CALIDAD DE ESTE PRODUCTO, A EXCEPCIÓN DE LO EXPRESADO EN ESTA DECLARACIÓN DE GARANTÍA. BLOMBERG NO ASUME NINGUNA RESPONSABILIDAD SOBRE LA ADECUACIÓN DEL PRODUCTO PARA CUALQUIER FIN PARTICULAR PARA EL QUE SE ADQUIERA, A EXCEPCIÓN DE LO EXPRESADO EN ESTA DECLARACIÓN DE GARANTÍA.

Blomberg no asume ninguna responsabilidad sobre los daños incidentales o consecuenciales. Tales daños incluyen, aunque no limitado a ellos, la pérdida de beneficios, pérdidas de ahorros o ingresos, pérdida de uso del aparato o cualquier equipo asociado, costes de capital, costes de cualquier equipo, instalación o servicio de sustitución, tiempos de parada, reclamaciones de terceros y daños materiales. Algunos estados no permiten la exclusión o limitación de daños incidentales o consecuenciales y, por está razón, las citadas limitaciones o exclusiones pueden no ser aplicables en su caso particular.

\* la fecha de instalación hará referencia a la fecha de compra o 5 días hábiles tras la entrega del producto en la vivienda, la que sea posterior.

++Las piezas sustituidas asumirán la identidad de las piezas originales + su garantía original.

Ninguna otra garantía. Esta Declaración de garantía es la garantía completa y exclusiva del fabricante. Ningún empleado de Blomberg o cualquier otra persona tienen autoridad para realizar ninguna declaración de garantía además de las incluidas en esta Declaración de garantía. Guarde esta tarjeta de garantía, el manual de usuario y el justificante de venta.

### CÓMO SOLICITAR ASISTENCIA TÉCNICA

Póngase en contacto con el Distribuidor de su estado o provincia, consultando la Lista de contacto de distribuidores, o llame al número gratuito 1 800 459 9848, donde le indicarán como ponerse en contacto con un Servicio Técnico Autorizado de Blomberg. 02 01

