



30" Touch Control Electric Cooktop

CTE30410



FEATURES

- Electric with Front Touch Control
- Four Vitroceramic Elements
- Double Duo Zones
- Smooth Top for Easy Cleaning
- Programmable Touch Control System
- Slide Touch Control with Timer
- Residual Heat Indicator

FINISH

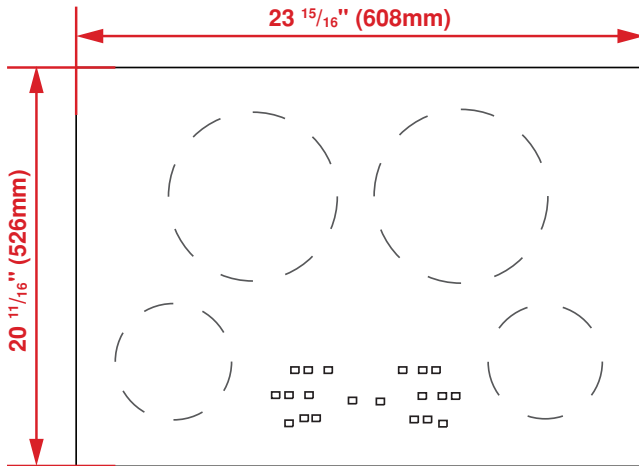
Frameless Black Glass

DIMENSIONS (H X W X D)

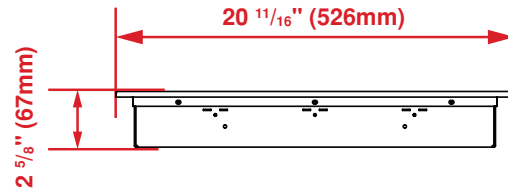
2⁵/₈ x 23¹⁵/₁₆ x 20¹¹/₁₆ in.

GENERAL	
Glass Type	Glass
Size	30"
Color	Black
Heating Technology	Electric (Vitroceramic)
Stainless Steel Frame	Yes
Control Type	Front Touch Control
ELECTRIC BURNER FEATURES	
Smooth Top for Easy Cleaning	Yes
Programmable Touch Control System	N/A
Slide Touch Control with Timer	N/A
XL Size Super Burner	N/A
Residual Heat Indicator	Yes
Edge to Edge Frameless Design	N/A
STANDARD POWER	
Front Left	Ø 5 3/4" - 1200 W Hi-Light
Front Right	Ø 5 3/4" - 1200 W Hi-Light
Rear Left	Ø 4 3/4" / 8 1/4" - 750 / 2200 W Duo
Rear Right	Ø 4 3/4" / 8 1/4" - 750 / 2200 W Duo
Center	N/A
DIMENSIONS	
Required Cutout Dimension (H x W x D)	2 5/8 x 23 15/16 x 20 11/16 in.
Overall Height	2 5/8 in.
Overall Width	20 15/16 in.
Overall Depth	20 11/16 in.
Weight	25.79 lbs
POWER / RATINGS	
KW / Amps Rating at 240 V, 60 Hz	220-240 V, 60 Hz, 6 kW, 25 A
Supply Cord	Yes
Plug Type	4-prong NEMA 30 A

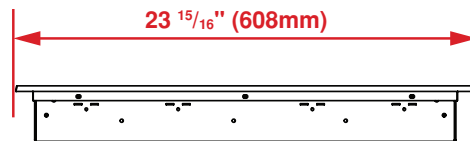
Top



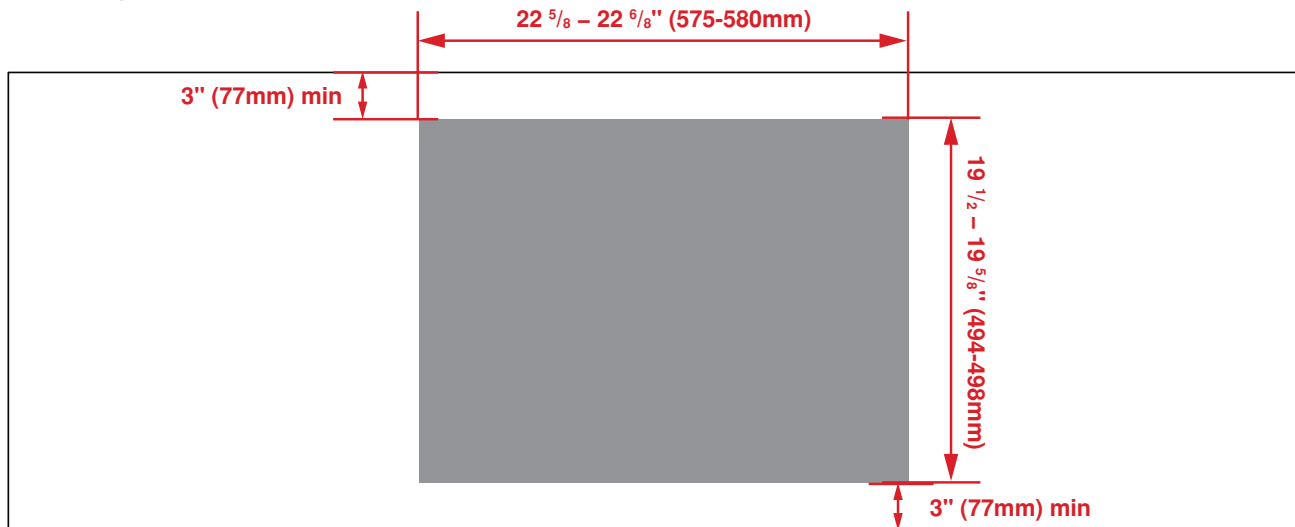
Side – Side View



Front – Side View



Countertop Cutout



NOTE TO THE INSTALLER: All height, width and depth dimensions are shown in inches (as well as metric). Beko US Inc. reserves the absolute and unrestricted right to change product materials and specifications, at any time, without notice. Please visit our website www.beko.us or call 888 352 2356 to verify the latest specifications with final dimensional data and other details prior to installation and making a cutout. Applicable product limited warranty information may be found in accompanying product materials or you may contact your account manager for further details. Proper installation is the responsibility of the installer. Product failure due to improper installation is not covered under the Limited Warranty.

IN HARMONY WITH NATURE, YOUR LIFE, AND YOU