



IN HARMONY WITH NATURE,
YOUR LIFE, AND YOU

Blomberg
seit 1883

24" Single Electric Wall Oven

BWOS24102SS



FEATURES

- 2.5 cu. ft. Capacity
- True European Convection
- LED Display
- 8 Cooking Functions

COOKING MODES

- Fan Assisted
- Bottom Heating
- Fan Heating
- Electric Grill
- Low Grill with Fan
- Fast Preheating with Booster

FINISH

Stainless Steel

DIMENSIONS (H X W X D)

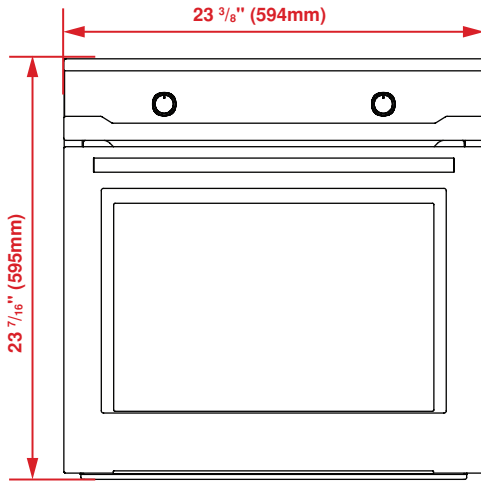
23⁷/₁₆ x 23³/₈ x 21¹/₂ in.

GENERAL	
Type	Built-In Oven
Size	24"
Color	Stainless Steel
Oven Type / Upper Oven Type	Multifunction - True Euro Convection
Control Type	Electric Oven Functions with Knob Controls
FUNCTIONS	
Self Clean with Door Latch	No
True European Convection	Yes
Convection Broil	Yes
Convection Roast	Yes
Bake	Yes
Broil	Yes
Defrost	Yes
SPECIAL FEATURES	
Contemporary European Design	Yes
Programmable Electronic Timer	Yes
Self clean (Programmable) with Multi Level Selection	N/A
Easy-to-clean Enamel	Yes
Oven Capacity	2.5 cu. ft.
Wire Oven Racks	2
Sabbath Mode	N/A
OVEN DOORS	
Oven Glass Window	Yes
Door Cooling System	3-Pane Heat-resistant Glass
ACCESSORIES / OVEN CAVITY	
Cavity Enamel Color	Gray
Rack Positions	5 Side Racks
Oven Lights	1 x Round Light in Rear
Broil Upper Heating Element	2200W
Upper Auxiliary Element Wattage	1100W
Concealed Bake Lower Heating Element	1200W
Convection Element Wattage	1800W
Chromed Racks	2
DIMENSIONS	
Required Cutout Dim (H x W x D)	23 ³ / ₈ x 22 ³ / ₆₄ x 21 ²¹ / ₃₂ in.
Overall Height	23 ⁷ / ₁₆ "
Overall Width	23 ³ / ₈ "
Overall Depth	21 ¹ / ₂ "
Weight	80.68 lbs
POWER / RATINGS	
KW / Amps Rating at 240V, 60Hz	220-240V 60 Hz 40 Amp
Supply Cord	Yes

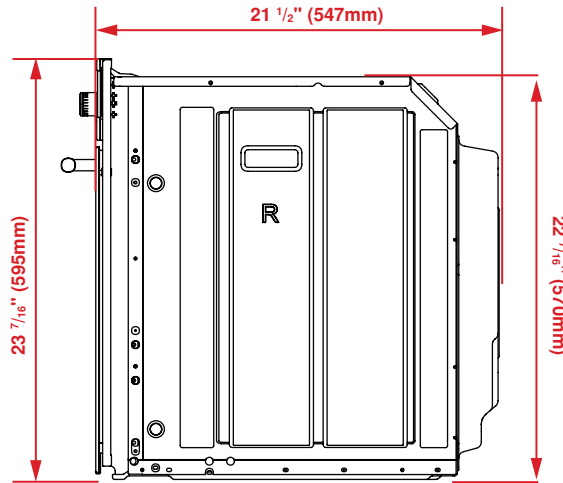
24" Single Electric Wall Oven

BWOS24102SS

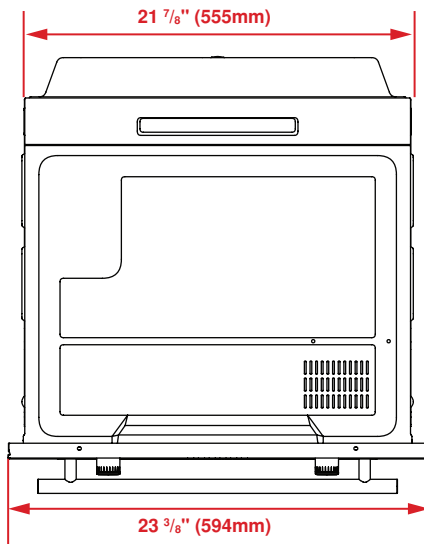
Front



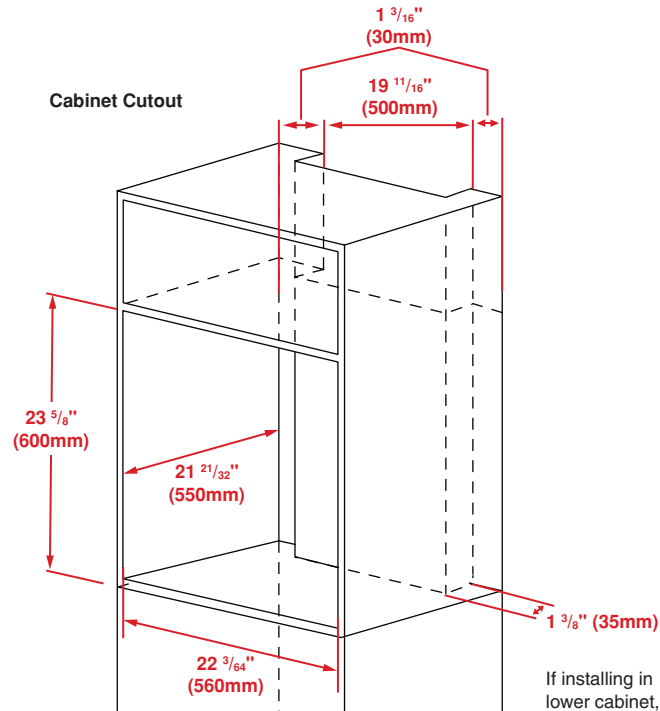
Side



Top



Cabinet Cutout



If installing in lower cabinet, leave 4" (102mm) min clearance below.

NOTE TO THE INSTALLER: All height, width and depth dimensions are shown in inches (as well as metric). Beko US Inc. reserves the absolute and unrestricted right to change product materials and specifications, at any time, without notice. Please visit our website www.beko.us or call 888 352 2356 to verify the latest specifications with final dimensional data and other details prior to installation and making a cutout. Applicable product limited warranty information may be found in accompanying product materials or you may contact your account manager for further details. Proper installation is the responsibility of the installer. Product failure due to improper installation is not covered under the Limited Warranty.

IN HARMONY WITH NATURE, YOUR LIFE, AND YOU

888.352.2356 | BlombergAppliances.com

© 2017 Beko US Inc. 02/05/18

Blomberg
seit 1883