



# **INSTALLATION, USE AND CARE MANUAL FOR PROFESSIONAL VENTILLATION FOR THE HOME**

**MODELS: BS-PL SERIES, BS-PC SERIES**

## **IMPORTANT!—PLEASE READ AND FOLLOW**

1. THIS APPLIANCE WAS DESIGNED FOR EASE OF INSTALLATION AND OPERATION. HOWEVER, WE RECOMMEND THAT YOU READ ALL SECTIONS OF THIS MANUAL BEFORE YOU BEGIN INSTALLATION.
2. DO NOT REMOVE PERMANENTLY AFFIXED LABELS, WARNINGS OR DATA PLATES FROM YOUR APPLIANCE. THIS MAY VOID THE MANUFACTURER'S WARRANTY AND/OR HINDER EFFECTIVE SERVICING AND MAINTENANCE.
3. THESE INSTRUCTIONS ARE TO REMAIN WITH THE APPLIANCE AND THE CONSUMER IS TO RETAIN THEM FOR FUTURE REFERENCE.
4. PLEASE OBSERVE ALL LOCAL AND NATIONAL BUILDING CODES AND ORDINANCES. IF NO LOCAL CODES ARE APPLICABLE, PLEASE FOLLOW ALL WIRING REQUIREMENTS IN ACCORDANCE WITH THE NATIONAL ELECTRICAL CODE, ANSI/NFPA 70 EDITION.
5. PLEASE CHECK WITH A QUALIFIED AND TRAINED INSTALLER OR YOUR LOCAL CODES FOR ANY MAKE UP AIR REQUIREMENTS.
6. THIS HOOD IS FOR RESIDENTIAL USE ONLY AND IS NOT DESIGNED FOR INSTALLATION OVER A COMMERCIAL PRODUCT.
7. MAKE SURE ALL POWER IS TURNED OFF AT THE MAIN BREAKER OR FUSE BOX BEFORE MAKING ANY CONNECTIONS.
8. TO AVOID RISK OF FIRE , ELECTRIC SHOCK, OR INJURY TO PERSONS, TURN OFF THE ELECTRICITY TO THE HOOD FROM THE POWER SUPPLY BEFORE CLEANING OR SERVICING.

**This product is intended for domestic use only!**

# TABLE OF CONTENTS

Table of Contents .....	2
Safety Instructions.....	3-4
Introduction.....	5
Welcome .....	6
Handling & Unpacking .....	7
Packing list for your Vent Hood .....	8-9
Pro Line Hoods .....	8
Pyramid Style Hoods .....	9
Installation of Pro Line Series	
Dimensions.....	10
Site Preparation .....	11
The Correct Height .....	12
Duct Information .....	13
Blower Installation .....	14
Custom Duct Installation .....	15
Installation of Pyramid Style	
Dimensions .....	16
Site Preparation .....	17
The Correct Height .....	18
Duct Information .....	19
Blower Installation .....	20
Flue Installation .....	21
Wire Diagram .....	22
Cleaning and Maintenance .....	23
Warranty.....	24-25
Performance Checklist .....	26-27

# **IMPORTANT!—PLEASE READ AND FOLLOW**

1. THIS APPLIANCE WAS DESIGNED FOR EASE OF INSTALLATION AND OPERATION. HOWEVER, WE RECOMMEND THAT YOU READ ALL SECTIONS OF THIS MANUAL BEFORE YOU BEGIN INSTALLATION.
2. DO NOT REMOVE PERMANENTLY AFFIXED LABELS, WARNINGS OR DATA PLATES FROM YOUR APPLIANCE. THIS MAY VOID THE MANUFACTURER'S WARRANTY AND/OR HINDER EFFECTIVE SERVICING AND MAINTENANCE.
3. THESE INSTRUCTIONS ARE TO REMAIN WITH THE APPLIANCE AND THE CONSUMER IS TO RETAIN THEM FOR FUTURE REFERENCE.
4. PLEASE OBSERVE ALL LOCAL AND NATIONAL BUILDING CODES AND ORDINANCES. IF NO LOCAL CODES ARE APPLICABLE, PLEASE FOLLOW ALL WIRING REQUIREMENTS IN ACCORDANCE WITH THE NATIONAL ELECTRICAL CODE, ANSI/NFPA 70 EDITION.
5. PLEASE CHECK WITH A QUALIFIED AND TRAINED INSTALLER OR YOUR LOCAL CODES FOR ANY MAKE UP AIR REQUIREMENTS.
6. THIS HOOD IS FOR RESIDENTIAL USE ONLY AND IS NOT DESIGNED FOR INSTALLATION OVER A COMMERCIAL PRODUCT.
7. MAKE SURE ALL POWER IS TURNED OFF AT THE MAIN BREAKER OR FUSE BOX BEFORE SERVICING OR MAKING ANY CONNECTIONS.
8. TO AVOID RISK OF FIRE , ELECTRIC SHOCK, OR INJURY TO PERSONS, TURN OFF THE ELCTRICITY TO THE HOOD FROM THE POWER SUPPLY BEFORE CLEANING OR SERVICING.

## **WARNING!**

TO REDUCE RISK OF FIRE, ELECTRIC SHOCK, OR INJURY TO PERSONS, OBSERVE THE FOLLOWING:

- USE THIS UNIT IN THE MANNER INTENDED BY THE MANUFACTURER, IF YOU HAVE ANY QUESTIONS PLEASE CALL 610.374.7679
- BEFORE CLEANING OR SERVICING UNIT, SWITCH POWER OFF TO THE UNIT AT THE SERVICE PANEL AND LOCK OUT THE SERVICE PANEL. IF THE SERVICE PANEL CANNOT BE LOCKED OUT, PLEASE AFIX A WARNING DEVICE PROMINENTLY, SUCH AS A TAG, TO THE SERVICE PANEL.

## **WARNING!**

TO REDUCE THE RISK OF A RANGETOP GREASE FIRE:

- NEVER LEAVE THE APPLIANCE UNATTENDED DURING USE. BOIL-OVERS MAY OCCUR, CAUSING SPILLS WHICH MAY IGNITE.
- DO NOT USE WATER ON GREASE FIRES. NEVER PICK UP A FLAMING PAN. IT IS RECOMMENDED YOU PURCHASE A MULTI-PURPOSE DRY CHEMICAL OR FOAM-TYPE FIRE EXTINGUISHER FOR YOUR HOME. STORE IT IN CLOSE PROXIMITY TO YOUR APPLIANCES.

TO REDUCE THE RISK OF A RANGETOP GREASE FIRE (CONTINUED):

## **WARNING!**

TO REDUCE RISK OF FIRE, ELECTRIC SHOCK, OR INJURY TO PERSONS, OBSERVE THE FOLLOWING:

- INSTALLATION WORK AND ELECTRICAL WORK MUST BE PERFORMED BY QUALIFIED INDIVIDUALS IN ACCORDANCE WITH ALL APPLICABLE CODES AND STANDARDS, INCLUDING ALL FIRE RATED CONSTRUCTION
- DO NOT DAMAGE ANY EXISTING ELECTRICAL OR HIDDEN UTILITIES WHEN DRILLING , CUTTING AND/OR REMOVING A WALL, CEILING OR FLOOR
- DUCTED FANS MUST VENT OUTDOORS
- SUFFICIENT AIR IS REQUIRED TO PROPERLY EXHAUST GASES THROUGH THE FLUE OF NATURAL AND LIQUID PROPANE FUELED COOKING EQUIPMENT TO AVOID ANY BACK DRAFTING. FOLLOW ALL LOCAL AND NATIONAL CODES AND STANDARDS FOR PROPER AIR REQUIREMENTS.
- USE ONLY METAL DUCTWORK
- NEVER VENT DUCTED EXHAUST AIR INTO ANOTHER ROOM OR GARAGE. TO REDUCE THE RISK OF FIRE AND TO PROPERLY VENT EXHAUST AIR, DUCT MUST VENT OUTDOORS
- MATERIAL IN THIS MANUAL IS FOR REFERENCE ONLY. DUE TO CONTINUOUS IMPROVEMENT THE MANUAL MAY DIFFER FROM ACTUAL PRODUCT.

## **WARNING!**

- IF YOU ARE FLAMING LIQUOR OR OTHER SPIRITS, AND YOUR APPLIANCE IS INSTALLED UNDER A VENT HOOD, TURN THE FAN OFF. THE DRAFT CREATED COULD CAUSE THE FLAMES TO SPREAD OUT OF CONTROL.
- FOR YOUR SAFETY, NEVER USE YOUR APPLIANCE OR ANY OTHER COOKING APPLIANCE AS A SPACE HEATER TO WARM OR HEAT THE ROOM.
- USE ONLY DRY POTHOLDERS. MOIST OR DAMP POTHOLDERS ON HOT SURFACES MAY RESULT IN STEAM BURNS. DO NOT ALLOW POTHOLDERS TO TOUCH HOT BURNER AREAS. DO NOT USE A TOWEL OR OTHER BULKY MATERIAL AS A POTHOLDER.
- TO REDUCE THE RISK OF BURNS, IGNITION OF FLAMMABLE MATERIALS, AND SPILLAGE, THE HANDLE OF ANY POT OR PAN SHOULD BE POSITIONED SO THAT IT DOES NOT EXTEND OVER ADJACENT BURNERS OR THE FRONT OF THE APPLIANCE.
- CLEAN VENTILATING FANS AND GREASE BAFFLES OFTEN. GREASE SHOULD NOT BE ALLOWED TO ACCUMULATE .
- ALWAYS TURN HOOD ON WHEN OPERATING YOUR COOKING EQUIPMENT

## **WARNING!**

TO REDUCE RISK OF INJURY TO PERSONS DUE TO A GREASE FIRE:

- SMOTHER THE FLAMES WITH A CLOSE FITTING LID, COOKIE SHEET OR METAL TRAY, THEN TURN OFF THE BURNER. TAKE CARE TO AVOID AND PREVENT BURNS. IF FLAMES DO NOT EXTINGUISH, EVACUATE THE PREMISES AND CALL THE FIRE DEPARTMENT
- NEVER HANDLE OR PICK UP A FLAMING PAN.
- DO NOT USE WATER, INCLUDING WET DISHCLOTHS, OR TOWELS. A VIOLENT STEAM EXPLOSION MAY ENSUE
- DO NOT TURN ON HOOD TO EVACUATE SMOKE. TURN OFF HOOD
- USE AN EXTINGUISHER ONLY IF:
  - YOU HAVE A CLASS ABC EXTINGUISHER AND YOU CAN OPERATE IT
  - THE FIRE IS SMALL AND CONTAINED WHERE IT STARTED
  - THE FIRE DEPARTMENT HAS BEEN NOTIFIED
  - YOU CAN FIGHT THE FIRE WITH YOUR BACK TOWARDS AN UNOBSTRUCTED EXIT

## **WARNING!**

- THIS PRODUCT IS FOR GENERAL VENTILATION APPLICATIONS. DO NOT USE TO EXHAUST HAZARDOUS, FLAMMABLE, OR EXPLOSIVE MATERIALS
- PRIOR TO CLEANING OR SERVICING THE UNIT, SWITCH POWER OFF AT THE SERVICE PANEL AND LOCK OUT THE PANEL. IF THE PANEL CANNOT BE LOCKED OUT, AFFIX A PROMINENT WARNING TAG TO THE SERVICE PANEL.
- DO NOT USE PORCELAIN OR ABRASIVE CLEANERS ON THIS PRODUCT. THIS MAY RESULT IN COSMETIC DAMAGE TO THE SURFACE LIKE SCRATCHES AND/OR DISCOLORIZATION
- ALL BRASS TRIM PIECES REQUIRE SPECIAL CLEANING. DO NOT USE ABRASIVE CLEANERS OR FURNITURE POLISH. THIS WILL RESULT IN DISCOLORIZATION TO THE BRASS SURFACE

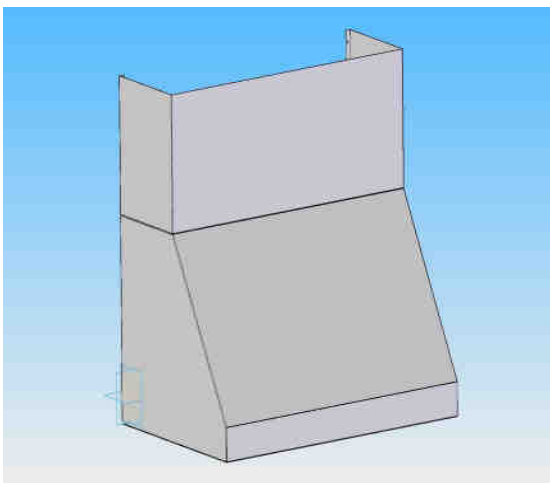


Since 1880, we have been dedicated to quality! We believe that our success can only be measured by the continuing success of our customers. We achieve customer satisfaction by ensuring that each of our employees understands, meets and exceeds customer expectations. We establish and maintain an environment that encourages all employees to pursue continuous improvement in quality and productivity.

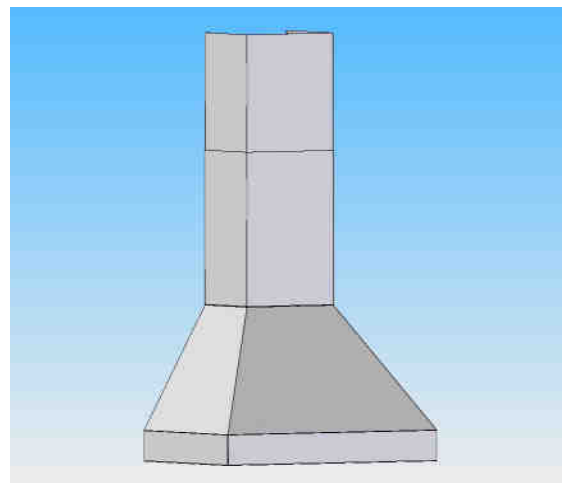
Our quality policy is monitored by the highest levels of management.

We hope you enjoy your new appliance and we THANK YOU again for believing in our product as much as we do.

*The staff and team at Prizer Stove Works !*



**PRO LINE HOOD**



**PYRAMID HOOD**

## WELCOME!

...to the exciting world of BlueStar™ cooking! You have purchased one of the finest appliances available for home use, which shows that you take cooking seriously. As the owner of a new BlueStar appliance you can look forward to years of cooking enjoyment. You will prepare meals with the speed and accuracy of a professional chef right in your own kitchen! All equipment is designed and manufactured to the highest quality standards in the industry specifically to meet the needs of the world's most demanding chefs: you. From simmering to sautéing, baking and broiling these versatile appliances provide the flexibility you need in any cooking application. Commercial styling adds a touch of elegance to your kitchen like no other appliance can. What's more, this high quality, high-performance appliance is backed by our professional service network from coast to coast to provide you with quick, competent technical service should the need arise. Please take a few moments now to fill in the information below for your future reference. In the event you require parts or service, this information will be needed to ensure you receive the highest quality service we can provide.

DATE OF PURCHASE

DEALER'S NAME

DEALER'S ADDRESS

DATE OF INSTALLATION

INSTALLER'S NAME

INSTALLER'S ADDRESS

MODEL NUMBER

SERIAL NUMBER

NOTE: WARRANTY SERVICE MUST BE PERFORMED BY AN AUTHORIZED SERVICE AGENT. YOU MAY REQUEST WARRANTY SERVICE BY CALLING 800-449-8691. YOU MAY ALSO REQUEST SERVICE VIA THE INTERNET BY SUBMITTING THE SERVICE REQUEST FORM AT [WWW.BLUESTARCOOKING.COM](http://WWW.BLUESTARCOOKING.COM)

## **HANDLING**

- REMOVE ALL WATCHES, BELT BUCKLES, JEWELRY, RINGS AND ANY CLOTHING WITH METAL BUTTONS OR SNAPS TO PREVENT DAMAGE TO THE HOOD.
- WHEN YOU BEGIN THE INSTALLATION PROCESS REMOVE THE HOOD FROM IT'S ORIGINAL CARTON AND PLACE THE HOOD ON A CLEAN, NON-ABRASIVE BLANKET.
- INSPECT THE HOOD CAREFULLY FOR ANY DAMAGE OR IMPERFECTIONS BEFORE YOU BEGIN TO INSTALL THE HOOD. IF ANY DAMAGE OR IMPERFECTIONS EXIST, RE-CARTON THE HOOD AND CALL YOUR DEALER IMMEDIATELY, DO NOT INSTALL A DAMAGED HOOD.
- IT IS HIGHLY RECOMMENDED THAT RUBBER GLOVES BE USED TO PREVENT SCRATCHES ON THE HOOD AND TO PROVIDE YOU WITH A FIRM GRIP.
- WHEN REMOVING THE HOOD FROM THE CARTON LOCATE THE FILTERS. THE FILTERS ARE PACKED SEPARATELY.

**DO NOT REMOVE HOOD FROM ORIGINAL CARTON UNTIL YOU ARE READY TO INSTALL**

## **UNPACKING**

- CHECK THE PACKAGE FOR DAMAGE. IF ANY DAMAGE IS VISIBLE YOU SHOULD MARK THE BILL OF LADING YOU SIGN THAT THERE MAY BE CONCEALED DAMAGE.
- INSURE THE CONTAINER IS UPRIGHT. IF THE CONTAINER IS NOT UPRIGHT MAJOR DAMAGE CAN OCCUR TO YOUR APPLIANCE. IF DAMAGE IS DISCOVERED, DO NOT REFUSE DELIVERY. CONTACT THE DEALER AND FILE APPROPRIATE FREIGHT CLAIMS. SAVE ALL PACKAGING MATERIAL. DO NOT CONTACT THE MANUFACTURER. YOUR APPLIANCE WAS SHIPPED FROM THE DEALER YOU PURCHASED IT FROM. SHIPPING DAMAGE CLAIMS ARE TO BE RESOLVED BETWEEN THE CUSTOMER, SHIPPING CARRIER AND DEALER. THE MANUFACTURER MAY ASSIST IN RESOLVING ANY SUCH CLAIMS, BUT SUCH ASSISTANCE DOES NOT RELIEVE YOU OF YOUR RESPONSIBILITY.
- MOVE THE CONTAINER AS CLOSE TO ITS INSTALLATION LOCATION AS POSSIBLE. THIS WILL REDUCE MOVING AND HANDLING YOUR APPLIANCE ONCE IT IS OUT OF ITS SHIPPING CONTAINER
- DO NOT DISCARD PACKAGING WITHOUT FIRST LOCATING THE FILTERS
- INSPECT ALL MOLDED PACKAGING BEFORE DISCARDING

**ANY DAMAGE MUST BE REPORTED BEFORE INSTALLING THE HOOD. ONCE THE HOOD HAS BEEN INSTALLED, NO RETURN WILL BE ACCEPTED!**

**MAKE SURE BLOWERS ARE FREE FROM OBSTRUCTIONS (PACKING AND DEBRIS). TEST RUN BLOWERS BEFORE FINALIZING INSTALLATION. CHECK WITH MANUFACTURER BEFORE ATTEMPTING TO USE OTHER THAN BLUESTAR BLOWER SYSTEMS. FOR TECHNICAL INFORMATION CONTACT BLUESTAR SERVICE (610.376.7479)**

## **PACKING LIST FOR PRO LINE HOOD SERIES**

### **PL30240—24” depth**

- No blower (Sold and Packaged Separately)
- Two (2) Stainless Steel Baffle Filters
- Two (2) Pre-Installed Lights
- Lid for Electrical Box
- Use and Care Manual with Wiring Diagram

### **PL36240, PL42240—24” depth**

- No blower (Sold and Packaged Separately)
- Four (4) Stainless Steel Baffle Filters
- Two (2) Pre-Installed Lights
- Lid for Electrical Box
- Use and Care Manual with Wiring Diagram

### **PL48240 , PL54240, — 24" Depth**

- No blower (Sold and Packaged Separately)
- Six (6) Stainless Steel Baffle Filters
- Three (3) Pre-Installed Lights
- Lid for Electrical Box
- Use and Care Manual with Wiring Diagram

### **PL60240, PL66240 — 24" Depth**

- No blower (Sold and Packaged Separately)
- Six (6) Stainless Steel Baffle Filters
- Three (3) Pre-Installed Lights
- Lid for Electrical Box
- Use and Care Manual with Wiring Diagram



## **PACKING LIST FOR PYRAMID STYLE HOOD SERIES**

### **PC30240—24” depth**

- No blower (Sold and Packaged Separately)
- Two (2) Stainless Steel Baffle Filters
- Two (2) Pre-Installed Lights
- Lid for Electrical Box
- Use and Care Manual with Wiring Diagram
- Duct cover sold packed in separate box (2 of2)

### **PC36240, PC42240—24” depth**

- No blower (Sold and Packaged Separately)
- Four (4) Stainless Steel Baffle Filters
- Two (2) Pre-Installed Lights
- Lid for Electrical Box
- Use and Care Manual with Wiring Diagram
- Duct cover sold packed in separate box (2 of2)

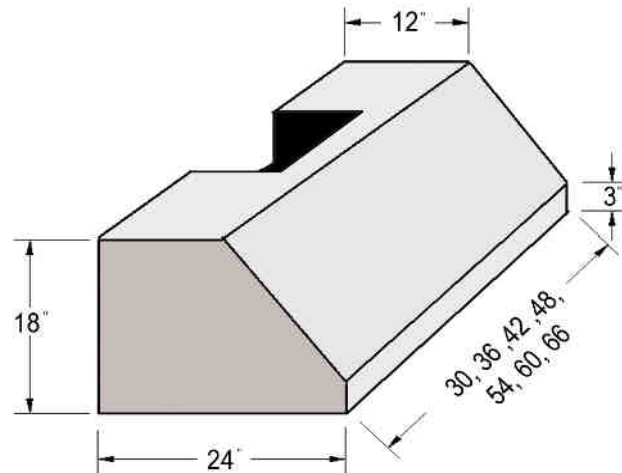
### **PC48240 , PC54240, — 24" Depth**

- No blower (Sold and Packaged Separately)
- Six (6) Stainless Steel Baffle Filters
- Three (3) Pre-Installed Lights
- Lid for Electrical Box
- Use and Care Manual with Wiring Diagram
- Duct cover sold packed in separate box (2 of2)

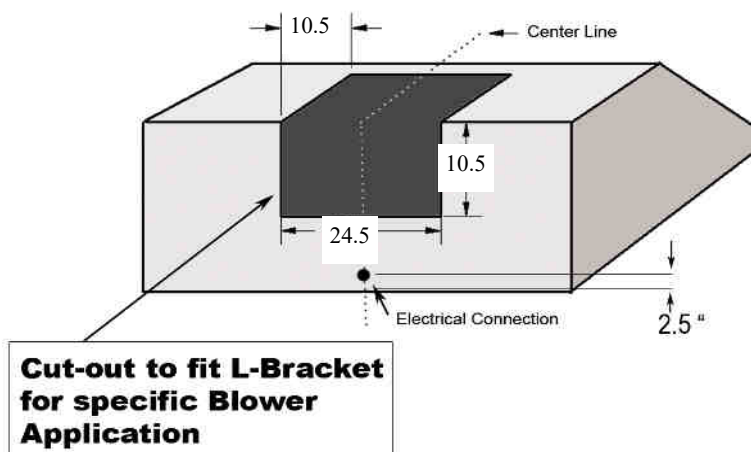
### **PC60240, PC66240 — 24" Depth**

- No blower (Sold and Packaged Separately)
- Six (6) Stainless Steel Baffle Filters
- Three (3) Pre-Installed Lights
- Lid for Electrical Box
- Use and Care Manual with Wiring Diagram
- Duct cover sold packed in separate box (2 of2)

## DIMENSIONS OF THE PRO LINE SERIES HOOD



- INLET LOCATION FOR THE ELECTRICAL CONNECTION IS LOCATED NEAR THE REAR CENTER OF HOOD 2.5" FROM HOOD BOTTOM.
- ELECTRICAL REQUIREMENTS: 15 AMPS AT 120 VOLTS
- LIGHT BULBS ARE PAR16 - 60 WATT HALOGEN
- BULBS ARE OPERATED BY A DIMMER SWITCH
- BLOWER MUST BE PURCHASED SEPERATELY



## SITE PREPARATION FOR PRO LINE SERIES

IN SELECTING THE PROPER HEIGHT TO MOUNT THE HOOD, TAKE INTO CONSIDERATION THE STATURE OF THE PERSON OR PERSONS WHO WILL BE COOKING. A HEIGHT OF 30", MINIMUM HEIGHT OFF OF COOKING SURFACE, TO 36" MAXIMUM HEIGHT OFF OF THE COOKING SURFACE, WILL SUIT MOST USERS. IF MOUNTED AT A HEIGHT GREATER THAN 36" ABOVE THE COOKING SURFACE, THE HOOD SHOULD BE AT LEAST 6" WIDER THAN THE COOKING APPLIANCE TO PROVIDE A PROPER CAPTURE OF HEAT AND GREASE. (REFER TO THE RANGE MANUFACTURER'S GUIDELINES). ONCE THE PROPER HEIGHT IS ESTABLISHED, DRAW A LEVEL LINE WHERE THE BOTTOM OF THE HOOD WILL REST. IF PRACTICAL, MOUNT A BOARD EQUAL TO THE WIDTH OF THE HOOD ALONG THE LINE SO YOU MAY REST THE HOOD ON IT WHILE INSTALLING. MARK A CENTER LINE ON THE WALL EQUAL TO THE ENTIRE HEIGHT OF THE HOOD TO ASSIST WITH THE PROPER DUCT ALIGNMENT AND HOOD PLACEMENT. DETERMINE STUD LOCATION AND MARK IT CLEARLY. BECAUSE OF THE WEIGHT OF THE HOOD MAKE SURE THAT THE MOUNTING SCREWS ARE DRIVEN INTO THE FRAMING AND NOT JUST THE DRYWALL. IT MAY BE NECESSARY TO DRILL ADDITIONAL HOLES INTO THE CANOPY FOR PROPER ALIGNMENT. IF ONLY ONE STUD CAN BE LOCATED, TOGGLE BOLTS OR ADDITIONAL FASTENING MUST BE INSTALLED TO FIRMLY SECURE THE HOOD TO THE WALL. INSTALL A 115 VOLT 15 AMP ELECTRICAL LEAD IN THE HOLE MARKED ON THE ROUGH-IN DIAGRAM. (FIG. A) EXAMPLE: LOCATION FOR A 36" HOOD IS 2.5" FROM THE BOTTOM, CENTERED ON THE HOOD. VERIFY THAT THE DUCTING IS IN THE CORRECT LOCATION FOR YOUR APPLICATION.

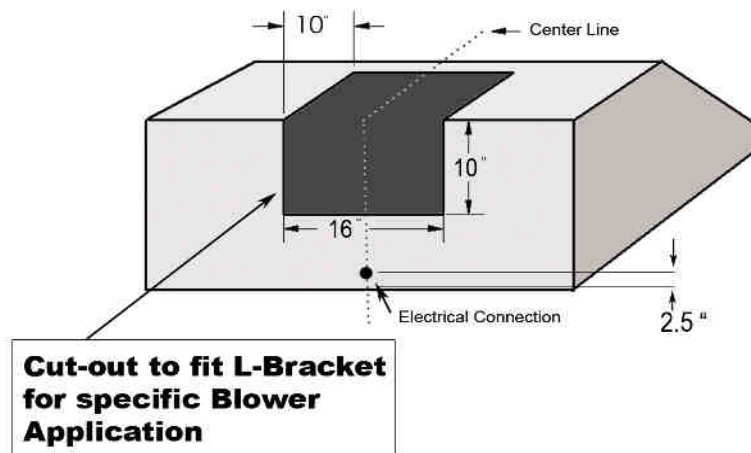
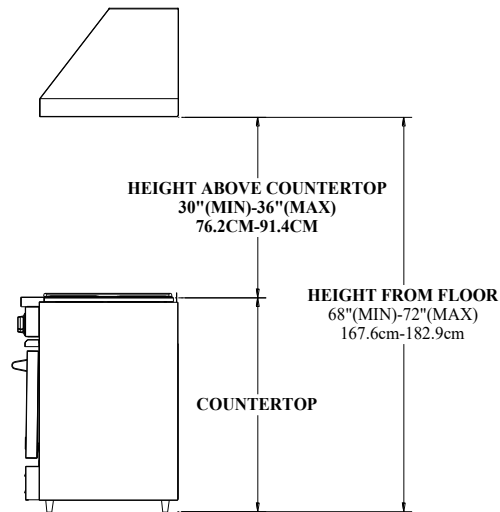


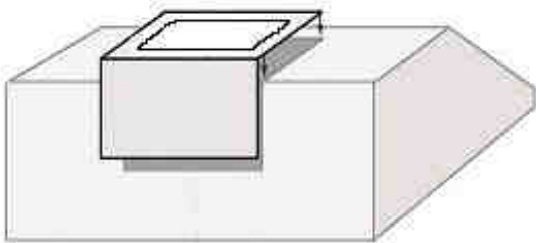
FIGURE A

## THE CORRECT HEIGHT OF YOUR PRO LINE SERIES HOOD

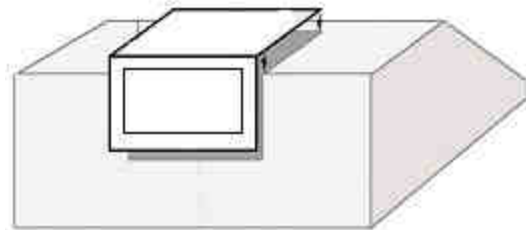


THE BOTTOM OF THE HOOD SHOULD BE 30" MINIMUM TO 36" MAXIMUM ABOVE THE COUNTERTOP. THIS WOULD TYPICALLY RESULT IN THE BOTTOM OF THE HOOD BEING 66" TO 72" ABOVE THE FLOOR. THE BOTTOM OF THE HOOD SHOULD NEVER BE MORE THAN 72" ABOVE THE FLOOR OR MORE THAN 36" ABOVE THE COUNTERTOP. THESE DIMENSIONS PROVIDE FOR SAFE AND EFFICIENT OPERATION OF THE HOOD. IF FOR SOME REASON THE HOOD IS MOUNTED GREATER THAN 72" FROM THE FLOOR, IT MUST BE 6" WIDER THAN THE RANGE.

**ALL PL MODEL HOODS HAVE THE FLEXIBILITY TO EITHER DUCT FROM THE TOP OR REAR. CHECK PAGE 13 OF THE MANUAL FOR RECOMMENDED TRANSITIONS. SOME HOODS MIGHT HAVE A 6" ROUND, 10" ROUND OR REQUIRE RECTANGULAR TRANSITION. (NOTE: RECTANGULAR TRANSITION INDICATED BELOW TO ILLUSTRATE TOP OR REAR DISCHARGE OPTIONS ONLY.)**



TOP DISCHARGE



REAR DISCHARGE

## PRO LINE DUCT INFORMATION

MODEL	BLOWER (cfm)	DUCT SIZE	TRANSITION
<b>BS-PL3024</b>	BS-IBPL600	6"	
<b>BS-PL3024</b>	BS-IBPL1200	10"	
<b>BS-PL3624</b>	BS-IBPL600	6"	
<b>BS-PL3624</b>	BS-IBPL1200	10"	TR6X15/10
<b>BS-PL4224</b>	BS-IBPL600	6"	
<b>BS-PL4224</b>	BS-IBPL1200	10"	TR6X15/10
<b>BS-PL4824</b>	BS-IBPL1200	10"	TR6X15/10
<b>BS-PL5424</b>	BS-IBPL1200	10"	TR6X15/10
<b>BS-PL6024</b>	BS-IBPL1200	10"	TR6X15/10
<b>BS-PL6624</b>	BS-IBPL1200	10"	TR6X15/10

BS-IBPL600 IS SIZED FOR A 6" DUCT. TRC8/6 TRANSITION IS AVAILABLE TO INCREASE THE DUCT SIZE TO 8" FOR OPTIMAL PERFORMANCE

## IMPORTANT PLANNING INFORMATION!

PROPER INSTALLATION OF DUCTING IS EXTREMELY IMPORTANT FOR OPTIMAL PERFORMANCE OF YOUR BLUESTAR VENTILLATION SYSTEM.

- ALL CFM'S ARE BASED ON TESTS AT 0.1 STATIC PRESSURE; WITHOUT STATIC PRESSURE, ALL CFM'S WOULD BE OVERSTATED.
- STRAIGHT RUNS OR GRADUAL TURNS ARE BEST
- NEVER USE FLEXIBLE DUCT WORK
- PROPER PERFORMANCE IS DEPENDENT ON PROPER DUCT INSTALLATION, USE A QUALIFIED AND TRAINED INSTALLER
- CONSULT WITH LOCAL CODES FOR MAKE UP AIR REQUIREMENTS
- L-BRACKETS FOR THE INTERNAL BLOWER PACKAGES CAN BE MOUNTED FOR EITHER TOP OR REAR DISCHARGE
- BS-IBPL1200 BLOWERS REQUIRE AN ADDITIONAL PURCHASE OF A 10" TRANSITION

# INSTALLATION OF YOUR PRO LINE SERIES HOOD BLOWER

## INSTALLATION OF BS-IBPL600 INTERNAL BLOWER KIT REFER TO WIRING DIAGRAM

1. REMOVE SHIPPING BRACKET (SEE ITEM 1) FROM HOOD. DO NOT DISCARD SCREWS!
2. INSTALL BLOWER BRACKET WITH THE SCREWS REMOVED FROM THE SHIPPING BRACKET.
3. LOCATE THE TERMINAL BLOCK INSIDE THE ELECTRICAL SUPPLY BOX.
4. CONNECT FAN # 1 WIRE TO TERMINAL BLOCK #4.
5. CONNECT FAN # 1 WIRE TO TERMINAL BLOCK #6.
6. CONNECT THE 115 VOLT SUPPLY WIRE TO TERMINAL BLOCK #2.
7. CONNECT THE 115 VOLT SUPPLY WIRE TO TERMINAL BLOCK #1.

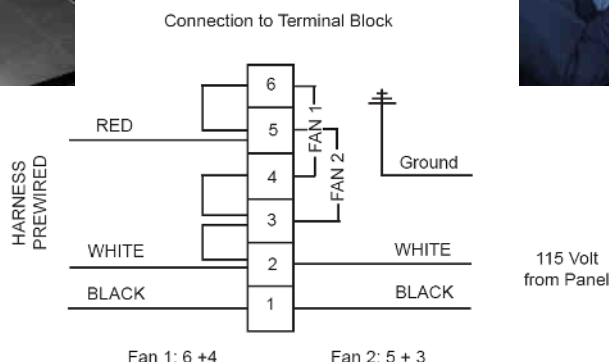
## INSTALLATION OF BS-IBPL1200 INTERNAL BLOWER KIT REFER TO WIRING DIAGRAM

1. REMOVE SHIPPING BRACKET FROM HOOD. DO NOT DISCARD SCREWS!  
**FOR FAN #1**
1. INSTALL BLOWER BRACKET WITH THE SCREWS REMOVED FROM THE SHIPPING BRACKET.
2. LOCATE THE TERMINAL BLOCK INSIDE THE ELECTRICAL SUPPLY BOX.
3. CONNECT FAN # 1 WIRE TO TERMINAL BLOCK #4.
4. CONNECT FAN # 1 WIRE TO TERMINAL BLOCK #6.
5. CONNECT THE 115 VOLT SUPPLY WIRE TO TERMINAL BLOCK #2.
6. CONNECT THE 115 VOLT SUPPLY WIRE TO TERMINAL BLOCK #1.
- FOR FAN #2**
- CONNECT FAN #2 WIRE TO TERMINAL BLOCK #3.
1. CONNECT FAN #2 WIRE TO TERMINAL BLOCK #5.

Item 1: shipping bracket should be used with remote blower, as the attachment for the flue. Once removed attach blower as described above.



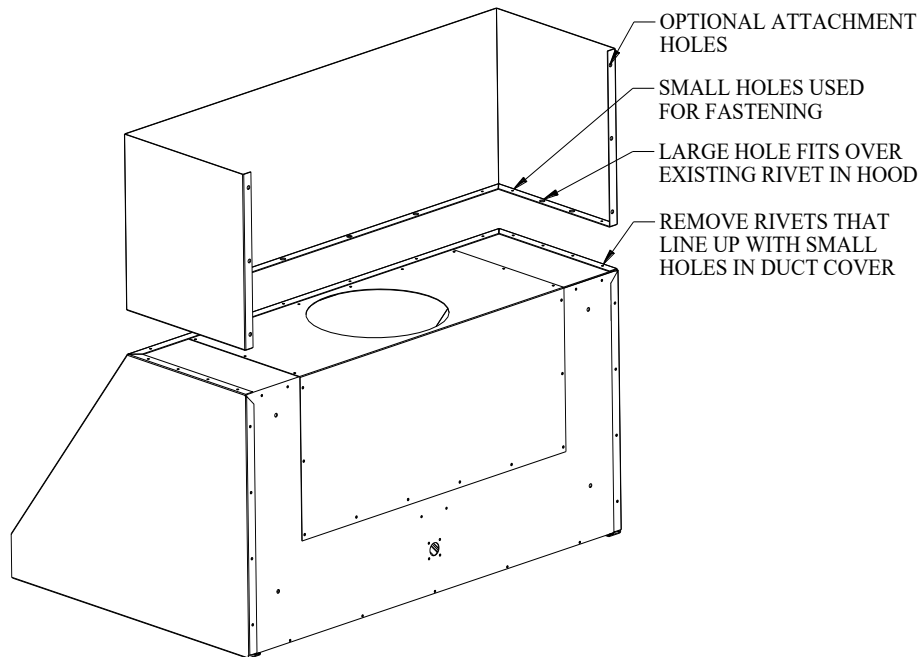
Shipping bracket  
Blower motor bracket



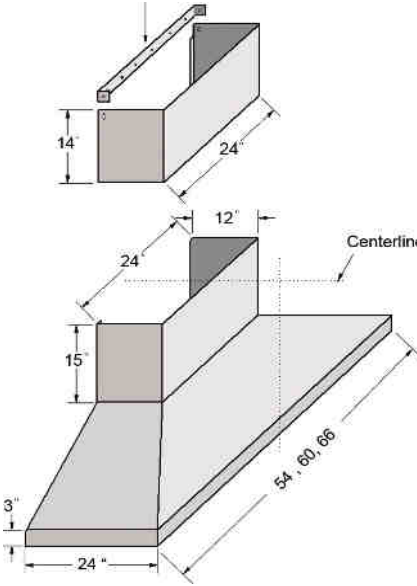
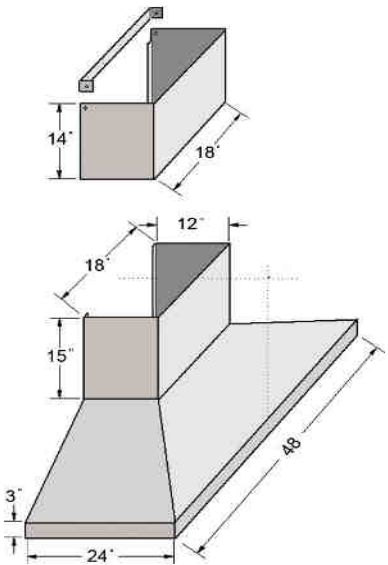
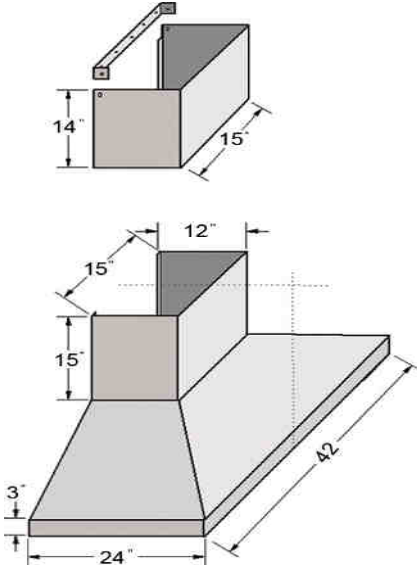
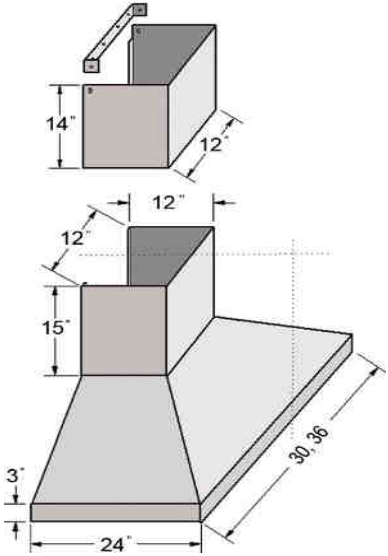
For remote fan use connection for Fan 1.

## INSTALLATION GUIDE FOR PRO LINE DUCT COVER

- REMOVE POP RIVETS FROM PRO HOOD THAT CORRESPOND WITH THE SMALL HOLES ON THE DUCT COVER.
- INSTALL HOOD TO CORRECT HEIGHT (BE CAREFUL TO LEAVE 12" FOR DUCT COVER)
- SLIDE DUCT COVER OVER TOP OF HOOD
- MAKE SURE SMALL HOLES IN DUCT COVER FLANGE LINE UP WITH HOLES IN HOOD WHERE RIVETS WERE REMOVED
- FROM INSIDE HOOD, ATTACH DUCT COVER TO HOOD USING SHEETMETAL SCREWS
- ROUND OUTLET SHOWN IN DIAGRAM FOR ILLUSTRATIVE PURPOSES ONLY. ACTUAL HOOD CONDITION MAY VARY DEPENDING ON MODEL SELECTED.



# DIMENSIONS OF THE PYRAMID STYLE SERIES HOOD





## SITE PREPARATION FOR PYRAMID STYLE SERIES

IN SELECTING THE PROPER HEIGHT TO MOUNT THE HOOD, TAKE INTO CONSIDERATION THE STATURE OF THE PERSON OR PERSONS WHO WILL BE COOKING. A HEIGHT OF 30", MINIMUM HEIGHT OFF OF COOKING SURFACE, TO 36" MAXIMUM HEIGHT OFF OF THE COOKING SURFACE, WILL SUIT MOST USERS. IF MOUNTED AT A HEIGHT GREATER THAN 36" ABOVE THE COOKING SURFACE, THE HOOD SHOULD BE AT LEAST 6" WIDER THAN THE COOKING APPLIANCE TO PROVIDE A PROPER CAPTURE OF HEAT AND GREASE. (REFER TO THE RANGE MANUFACTURER'S GUIDELINES). ONCE THE PROPER HEIGHT IS ESTABLISHED, DRAW A LEVEL LINE WHERE THE BOTTOM OF THE HOOD WILL REST. IF PRACTICAL, MOUNT A BOARD EQUAL TO THE WIDTH OF THE HOOD ALONG THE LINE SO YOU MAY REST THE HOOD ON IT WHILE INSTALLING. MARK A CENTER LINE ON THE WALL EQUAL TO THE ENTIRE HEIGHT OF THE HOOD TO ASSIST WITH THE PROPER DUCT ALIGNMENT AND HOOD PLACEMENT. DETERMINE STUD LOCATION AND MARK IT CLEARLY. BECAUSE OF THE WEIGHT OF THE HOOD MAKE SURE THAT THE MOUNTING SCREWS ARE DRIVEN INTO THE FRAMING AND NOT JUST THE DRYWALL. IT MAY BE NECESSARY TO DRILL ADDITIONAL HOLES INTO THE CANOPY FOR PROPER ALIGNMENT. IF ONLY ONE STUD CAN BE LOCATED, TOGGLE BOLTS OR ADDITIONAL FASTENING MUST BE INSTALLED TO FIRMLY SECURE THE HOOD TO THE WALL. INSTALL A 115 VOLT 15 AMP ELECTRICAL LEAD IN THE HOLE MARKED ON THE ROUGH-IN DIAGRAM. (FIG. A) EXAMPLE: LOCATION FOR A 36" HOOD IS 2.5" FROM THE BOTTOM, 18" FROM THE RIGHT OR LEFT EDGE. VERIFY THAT THE DUCTING IS IN THE CORRECT LOCATION FOR YOUR APPLICATION.

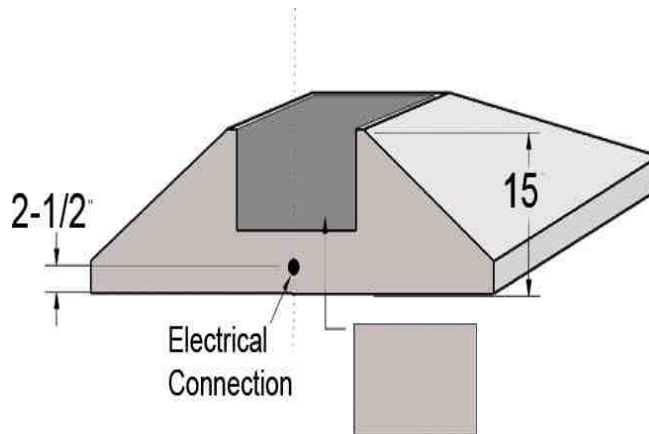
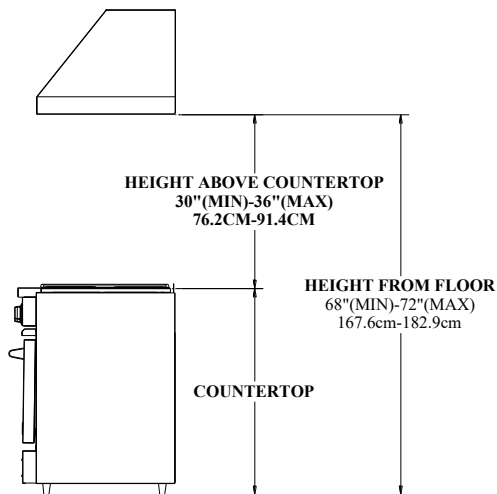


FIGURE A

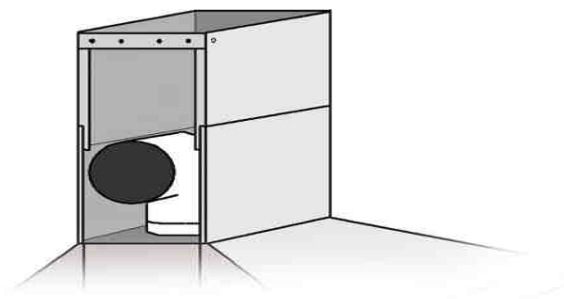
## THE CORRECT HEIGHT OF YOUR PYRAMID STYLE HOOD



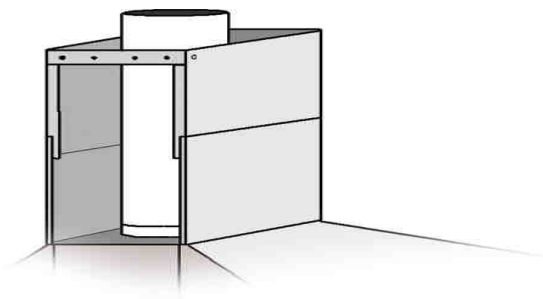
THE BOTTOM OF THE HOOD SHOULD BE 30" MINIMUM TO 36" MAXIMUM ABOVE THE COUNTERTOP. THIS WOULD TYPICALLY RESULT IN THE BOTTOM OF THE HOOD BEING 66" TO 72" ABOVE THE FLOOR. THE BOTTOM OF THE HOOD SHOULD NEVER BE MORE THAN 72" ABOVE THE FLOOR OR MORE THAN 36" ABOVE THE COUNTERTOP. THESE DIMENSIONS PROVIDE FOR SAFE AND EFFICIENT OPERATION OF THE HOOD. IF FOR SOME REASON THE HOOD IS MOUNTED GREATER THAN 72" FROM THE FLOOR, IT MUST BE 6" WIDER THAN THE RANGE.

**ALL PC MODELS TOP DUCT ONLY. (NOTE: THE PC HOOD CAN BE DUCTED TO THE REAR WITH THE USE OF A 90 DEGREE ELBOW (NOT INCLUDED). CHECK PAGE 19 OF MANUAL FOR RECOMMENDED TRANSITIONS. (ROUND DUCTING SHOWN FOR ILLUSTRATIVE PURPOSES. ACTUAL HOOD MAY VARY)**

- **BS-PC3024 CANNOT ACCEPT THE BS-PCIB1200 INTERNAL BLOWER**



**REAR DISCHARGE**



**TOP DISCHARGE**

**PYRAMID STYLE DUCT INFORMATION**  
**PYRAMID STYLE DUCT INFORMATION**

MODEL	BLOWER (cfm)	DUCT SIZE	TRANSITION
<b>BS-PC3024</b>	BS-IBPC600	6"	
<b>BS-PC3624</b>	BS-IBPC600	6"	
<b>BS-PC3624</b>	BS-IBPC1200	10"	TR6X15/10
<b>BS-PC4224</b>	BS-IBPC600	6"	
<b>BS-PC4224</b>	BS-IBPC1200	10"	TR6X15/10
<b>BS-PC4824</b>	BS-IBPC1200	10"	TR6X15/10
<b>BS-PC5424</b>	BS-IBPC1200	10"	TR6X15/10
<b>BS-PC6024</b>	BS-IBPC1200	10"	TR6X15/10
<b>BS-PC6624</b>	BS-IBPC1200	10"	TR6X15/10

BS-IBPC600 IS SIZED FOR A 6" DUCT. TRC8/6 TRANSITION IS AVAILABLE TO INCREASE THE DUCT SIZE TO 8" FOR OPTIMAL PERFORMANCE

**IMPORTANT PLANNING INFORMATION**

PROPER INSTALLATION OF DUCTING IS EXTREMELY IMPORTANT FOR OPTIMAL PERFORMANCE OF YOUR BLUESTAR VENTILLATION SYSTEM.

- ALL CFM'S ARE BASED ON TESTS AT 0.1 STATIC PRESSURE; WITHOUT STATIVE PRESSURE, ALL CFM'S WOULD BE OVERSATATED.
- STRAIGHT RUNS OR GRADUAL TURNS ARE BEST
- NEVER USE FLEXIBLE DUCT WORK
- PROPER PERFORMANCE IS DEPENDENT ON PROPER DUCT INSTALLATION, USE A QUALIFIED AND TRAINED INSTALLER
- CONSULT WITH LOCAL CODES FOR MAKE UP AIR REQUIREMENTS

# INSTALLATION OF YOUR PYRAMID STYLE HOOD BLOWER

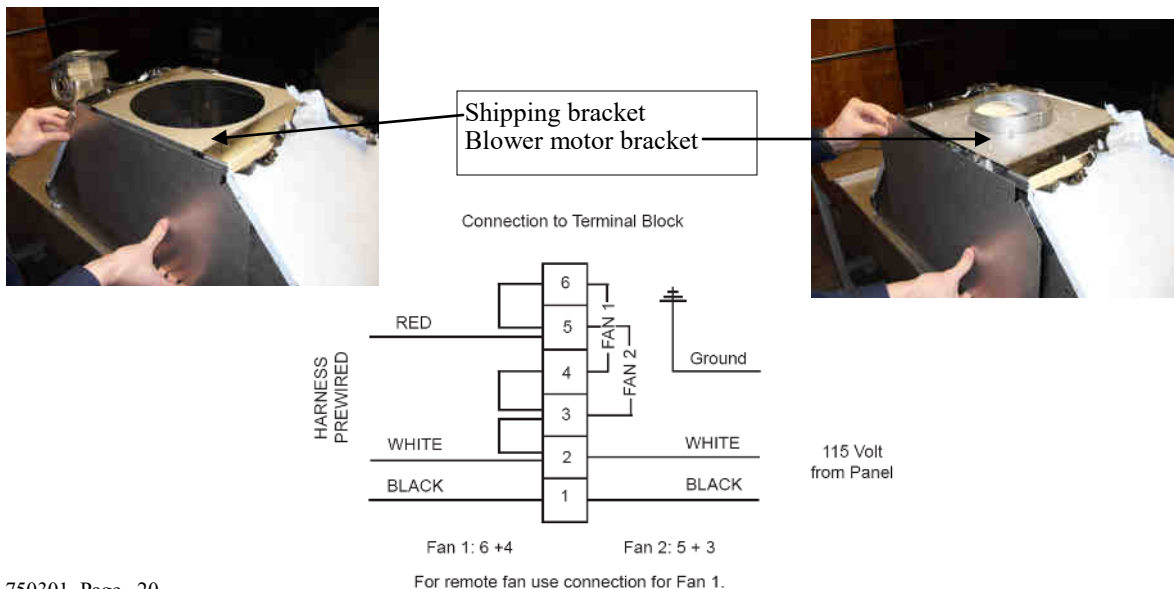
## INSTALLATION OF BS-IBPC600 INTERNAL BLOWER KIT REFER TO WIRING DIAGRAM

1. REMOVE SHIPPING BRACKET(SEE ITEM 1) FROM HOOD. DO NOT DISCARD SCREWS!
2. INSTALL BLOWER BRACKET WITH THE SCREWS REMOVED FROM THE SHIPPING BRACKET.
3. LOCATE THE TERMINAL BLOCK INSIDE THE ELECTRICAL SUPPLY BOX.
4. CONNECT FAN # 1 WIRE TO TERMINAL BLOCK #4.
5. CONNECT FAN # 1 WIRE TO TERMINAL BLOCK #6.
6. CONNECT THE 115 VOLT SUPPLY WIRE TO TERMINAL BLOCK #2.
7. CONNECT THE 115 VOLT SUPPLY WIRE TO TERMINAL BLOCK #1.

## INSTALLATION OF IBS-IBPC1200 INTERNAL BLOWER KIT REFER TO WIRING DIAGRAM

1. REMOVE SHIPPING BRACKET FROM HOOD. DO NOT DISCARD SCREWS!  
**FOR FAN #1**
1. INSTALL BLOWER BRACKET WITH THE SCREWS REMOVED FROM THE SHIPPING BRACKET.
2. LOCATE THE TERMINAL BLOCK INSIDE THE ELECTRICAL SUPPLY BOX.
3. CONNECT FAN # 1 WIRE TO TERMINAL BLOCK #4.
4. CONNECT FAN # 1 WIRE TO TERMINAL BLOCK #6.
5. CONNECT THE 115 VOLT SUPPLY WIRE TO TERMINAL BLOCK #2.
6. CONNECT THE 115 VOLT SUPPLY WIRE TO TERMINAL BLOCK #1.
- FOR FAN #2**
1. CONNECT FAN #2 WIRE TO TERMINAL BLOCK #3.
2. CONNECT FAN #2 WIRE TO TERMINAL BLOCK #5.

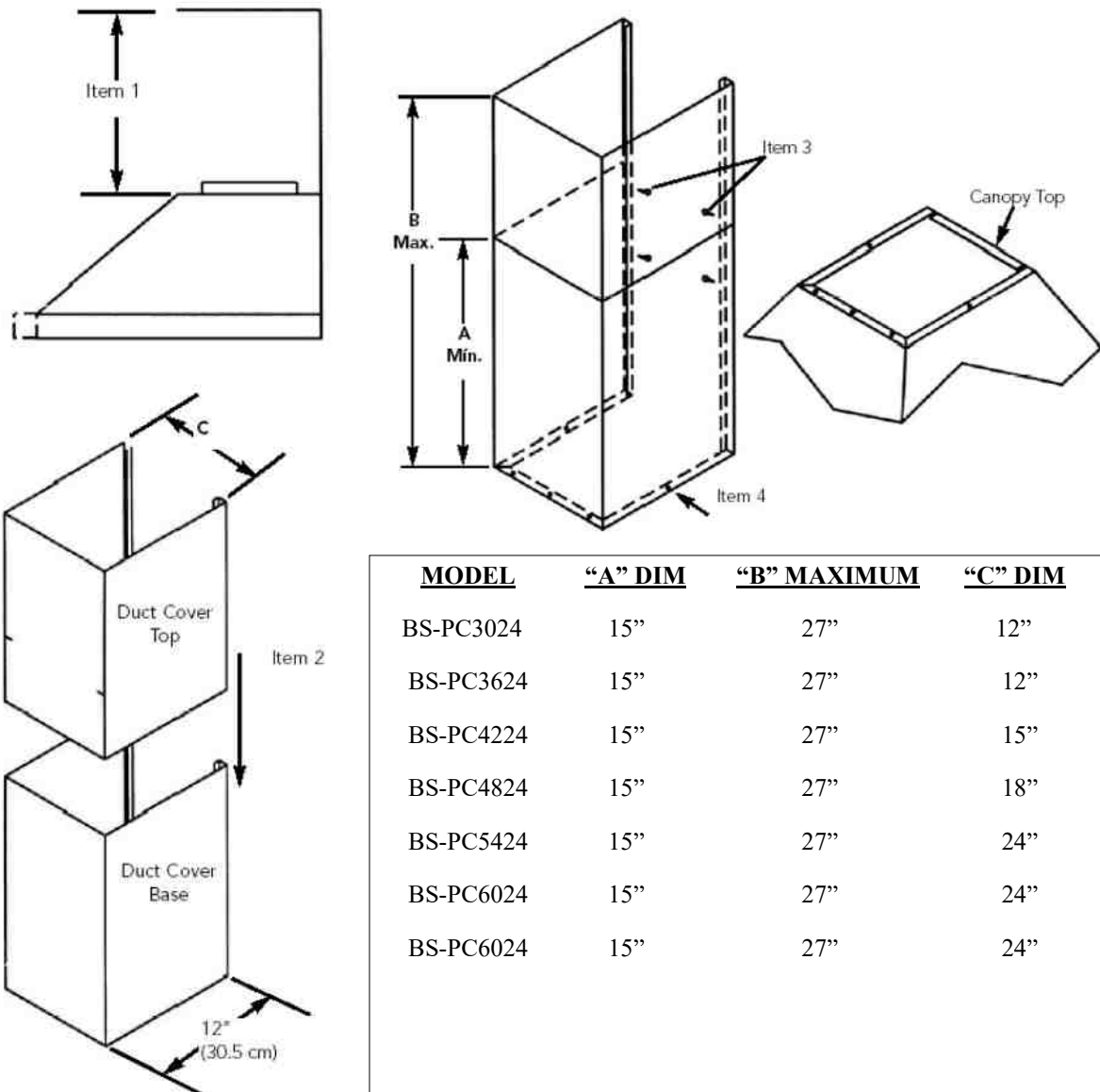
Item 1: shipping bracket should be used with remote blower, as the attachment for the flue. Once removed attach blower as described above.



## INSTALLATION GUIDE FOR FLUE (PYRAMID STYLE HOOD)

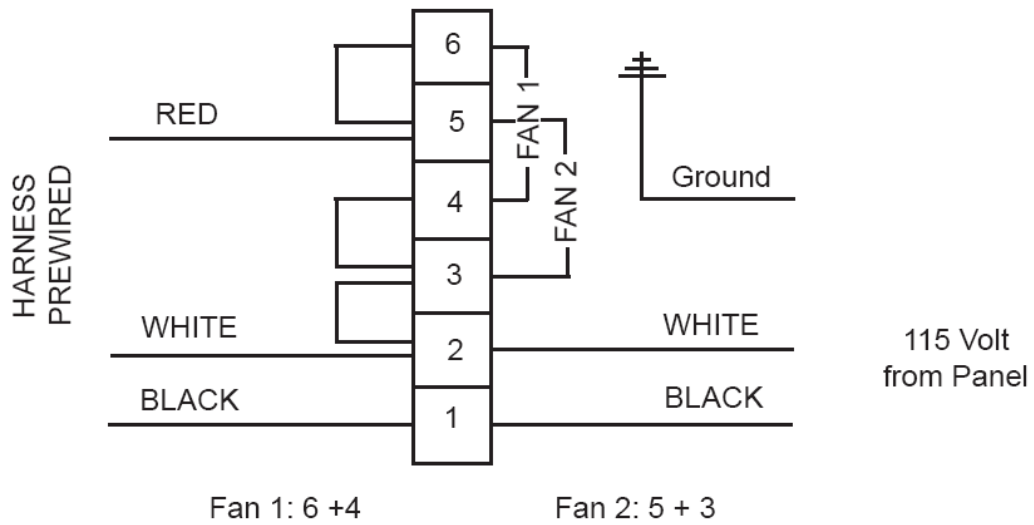
1. MEASURE FROM TOP OF THE CANOPY TO CEILING AND SUBTRACT 1/8" FOR CLEARANCE.
2. PLACE THE DUCT COVER TOP INSIDE THE DUCT COVER BASE AND LOWER UNTIL DESIRED HEIGHT IS FOUND. (TO ELIMINATE SCRATCHES, MAKE A MARK ON THE DUCT COVER TOP FOR THE DESIRED LOWERING POINT BY SUBTRACTING 15" FROM THE TOTAL HEIGHT NEEDED.)
3. USE THE RETAINING SCREWS TO FASTEN IN PLACE.
4. SLIDE THE DUCT COVER IN PLACE AND FASTEN FROM INSIDE CANOPY USING SHEET METAL SCREWS.

NOTE: FOR INSTALLATIONS WITH CEILINGS ABOVE 9', USE OPTIONAL CUSTOM FLUES. SEE PRODUCT LITERATURE FOR DETAILS.



# WIRE DIAGRAM FOR BLUESTAR PL AND PC HOODS

Connection to Terminal Block



Fan 1: 6 +4

Fan 2: 5 + 3

For remote fan use connection for Fan 1.

## **CLEANING AND MAINTENANCE**

### **YOUR HOOD MUST BE KEPT CLEAN AND MAINTAINED PROPERLY!!**

#### **BAFFLE FILTERS**

- BAFFLE FILTERS SHOULD BE EXAMINED PERIODICALLY TO ASSURE THAT ALL SURFACES AND PARTS ARE CLEAN
- THE FILTERS ARE DISHWASHER SAFE OR IN A SINK WITH HOT, SOAPY WATER
- EASY PERIODIC CLEANING WILL ASSURE OPTIMUM FILTER PERFORMANCE
- DO NOT USE CAUSTIC DETERGENT TO CLEAN THE FILTERS. ABRASIVE CLEANERS MAY HARM OR DAMAGE THE FINISH
- DO NOT DISASSEMBLE THE BAFFLE FILTER. DISASSEMBLY WILL VOID THE WARRANTY.

#### **CANOPY**

- DO NOT USE ABRASIVE CLEANERS, STEEL WOOL PADS, ABRASIVE CLOTHS OR CLEANERS WITH CHLORIDES
- DO NOT ALLOW GREASE TO ACCUMULATE, FOR BEST RESULTS WIPE THE CANOPY DOWN WITH A SOFT CLOTH AND HOT, SOAPY WATER

THE CLEANING OF THE OUTSIDE OF THE HOOD DEPENDS ON THE MATERIAL USED AS A DECORATIVE EXTERIOR. FOR STAINLESS STEEL AND POWDER COATED METALS, CLEAN WITH SOAP AND WATER ONLY. DO NOT USE ABRASIVE OR AGGRESSIVE CHEMICALS!

#### **REPLACING THE LIGHT BULBS**

- UNSCREW HALOGEN LIGHT BULB
- REPLACE HALOGEN WITH 60 WATT, 115 VOLT HALOGEN, PAR 16 LIGHT BULB

## LIMITED WARRANTY

### BlueStar® Cooking Appliances, BlueStar® Ventilation Hoods, Prizer Hoods® Ventilation Hoods and Abbaka Ventilation hoods and remote blowers

Before using your Product, please read this Limited Warranty and Arbitration Clause carefully to understand your rights.

This Warranty is provided to you by Prizer-Painter Stove Works, Inc. (“Prizer-Painter”), which warrants the parts of your BlueStar® cooking appliance, BlueStar® ventilation hood, Prizer Hoods® ventilation hood, or Abbaka ventilation hood or remote blower (“Product”), as described below.

This Warranty covers the owner of the residence in which the Product is installed, and his or her spouse (“Owner” or “You”).

#### **Products Covered**

This Warranty applies only to BlueStar® cooking appliances, BlueStar® ventilation hoods, Prizer Hoods® ventilation hoods and Abbaka ventilation hoods and remote blowers purchased in the continental U.S. and Canada on or after April 1, 2019. This Warranty applies only to Product sold by a BlueStar® authorized dealer or Prizer-Painter directly for use in residential properties only. Products must be installed by a qualified, licensed installer. Any service call deemed to be the result of improper installation shall be the responsibility of the owner. This Warranty is also void if the original factory installed serial number is altered or removed from the Product.

#### **Products Not Covered**

This Warranty does not apply to Products installed or used in any commercial or other non-residential property such as, but not limited to, day care facilities, hotels, motels, firehouses and nursing homes. This Warranty does not cover Products installed outside the U.S. or Canada. This Warranty does not apply to gas type conversions on cooking appliances not completed by a certified gas technician, licensed plumber or certified BlueStar® servicers.

#### **Full Two-Year Warranty**

Product Registration is not required to obtain Warranty Coverage but is highly recommended for optimal servicing and affects the length and certain remedies available under the warranty.

If the Product is properly registered within 90 days of Installation Date: For two (2) years from the date that the Product is originally installed, this Warranty covers all parts and labor to repair or replace, at our discretion, any functional component of the Product, that is defective in materials or workmanship. Replacement service will only be provided if and when attempts to repair the Product have been exhausted. Such repair or replacement service must be performed by a factory authorized service agent located within 100 miles roundtrip from the location of the Product. Service will be provided during normal business hours. The Owner will be responsible for any and all costs associated with additional mileage, non-standard service or overtime, and special equipment required to remove the Product so that service may be performed. Prizer-Painter reserves the right to deny warranty coverage for excessive installation delays.

For products not properly registered: For one (1) year from the date that the Product is originally installed, this Warranty covers all parts and labor to repair or replace, at our discretion, any functional component of the Product, that is defective in materials or workmanship. Replacement service will only be provided if and when attempts to repair the Product have been exhausted. Such repair or replacement service must be performed by a factory authorized service agent located within 100 miles roundtrip from the location



of the Product. Service will be provided during normal business hours. The Owner will be responsible for any and all costs associated with additional mileage, non-standard service or overtime, and special equipment required to remove the Product so that service may be performed. Prizer-Painter reserves the right to deny warranty coverage for excessive installation delays.

**Limited Cosmetic Component Warranty:** This Warranty covers the repair or replacement of all cosmetic component flaws for thirty (30) calendar days from the date of delivery of the Product to the owner's home from a BlueStar® authorized dealer. Cosmetic components include top grates, ring grates, plate rail, kick panel, body sides, glass, control panel, door panel, back guards, oven seals), front sides of hoods, and hoods strapping. Cosmetic components flaws include visible chips, scratches, dents, provided, however, that cosmetic flaws caused by freight damage are excluded.

**Limited Warranty on Floor Models Not Used For Demonstration:** Floor Models are covered by a one (1) year limited functional parts and related services warranty, with proof of date of installation. There is no cosmetic warranty of any kind for floor models.

**Limited Warranty on Floor Models Used For Demonstration:** Floor Models used for demonstration are covered by a ninety (90) day limited parts warranty only, with proof of date of installation. There is no service or cosmetic warranty of any kind for floor models.

#### **Limited Warranty on Product Refurbished**

Refurbished Products are covered by a six (6) months limited functional parts and labor warranty, with proof of installation, as well as an additional six (6) months limited parts warranty. There is no cosmetic warranty of any kind on Refurbished Product.

#### **Registration**

Registration is strongly recommended. While not necessary to effectuate warranty coverage, it is the best way for Prizer-Painter to communicate with you about important events and also provides additional warranty coverage. TO REGISTER, please fill out the "Performance Checklist and Warranty Form" located online at [www.bluestarcooking.com/support/product-registration](http://www.bluestarcooking.com/support/product-registration). Or mail the form located in the back of the Product Use and Care Manual to: Warranty Department, Prizer-Painter Stove Works, 318 June Avenue, Blandon, PA 19510-9566.

#### **Obtaining Warranty Service**

If a Warranty claim is not submitted as required, such claim will be invalid and will not be honored.

To obtain Warranty service, where applicable, the Owner must call the Service Center (toll free: 1-800-449-8691) or fill out the online form at [www.bluestarcooking.com/service](http://www.bluestarcooking.com/service) to report a warranty claim, and may be required to, at the time, provide (1) the model number of the Product, (2) the serial number of the Product, (3) proof of delivery, (4) a signed installation receipt, (5) a description of the claimed defect, and (6) proof of purchase of the Product, including the original retail receipt or invoice to establish the Warranty Period. Prizer-Painter must be given an opportunity to inspect any Product subject to a warranty claim. All warranty related service repairs must be performed by a factory authorized service agent.

This Limited Warranty gives you specific legal rights, and you may also have other rights that may vary from state to state or province to province.

### **Out of Warranty Product**

Prizer-Painter is under no obligation, at law otherwise, to provide you with any concessions, including repairs, pro-rates or Product replacement, once this warranty has expired.

### **What Is Not Covered**

This Warranty does not cover, and specifically excludes:

- Damages caused by shipping.
- Damage or repairs to the porcelain igniters, calibrations and normal adjustments after installation and setup, including burner adjustments.
- Normal wear and tear, care, and maintenance of the Product as described in the installation and operating manual, such as cleaning of parts, discoloration of the griddle, rust, gasket materials, ceramic materials, and fuses.
- Damage or repairs caused by alterations or modifications, abuse, excessive force, misuse, neglect, or improper installation, instruction, handling, operation, maintenance or storage.
- Accidental or intentional damage.
- Damage or repairs caused by unauthorized or improper service or repairs.
- Damages or repairs as a result of natural disasters, fires, floods, earthquakes, winds, lightning, corrosive atmosphere, loss of electrical power to the Product for any reason, or other conditions beyond Prizer-Painter's control.
- Damage or repairs caused by alteration for outdoor use.
- Damage or repairs caused by the use of harsh chemicals or cleaning products improperly applied.
- Discolorations to backguards from use of griddle or burners.
- The replacement of a part or Product under this Warranty does not extend the Warranty period.
- If the Product is removed from the property where it was originally installed .
- Slight color variations may be noticed because of differences in painted parts, kitchen lighting, product placement, and other factors; this warranty does not apply to color variations.
- Service calls to educate the customer on proper use and care of the product.
- Failure of the product when used for commercial, business, rental or any application other than for residential consumer use.
- Liability or responsibility for damage to surrounding property including cabinetry, floors, ceilings and other structures or objects around the Product.
- Consequential or incidental damage, including but not limited to food or medicine loss, time away from work or restaurant meals.

This warranty is in lieu of all other express warranties. No employee or representative of Prizer-Painter is authorized to make any modification, extension or addition to this Limited Warranty.

**ALL IMPLIED WARRANTIES, INCLUDING BUT NOT LIMITED TO WARRANTIES OF MERCHANTABILITY AND FITNESS FOR PARTICULAR PURPOSE ARE LIMITED TO THE**

**DURATION OF THIS WARRANTY.** Some states and provinces do not allow limitations on implied warranties, so the above limitation may not apply to you.

**THE OWNER AND PRIZER-PAINTER AGREE THAT THE REMEDIES SET OUT HEREIN ARE THE OWNER'S EXCLUSIVE REMEDIES FOR BREACH OF ALL WARRANTIES, EXPRESS OR IMPLIED.**

**WHETHER ANY CLAIM IS BASED ON NEGLIGENCE OR OTHER TORT, BREACH OF WARRANTY OR BREACH OF CONTRACT, OR ANY THEORY, PRIZER-PAINTER SHALL IN NO EVENT BE LIABLE FOR INCIDENTAL, CONSEQUENTIAL OR SPECIAL DAMAGES, INCLUDING BUT NOT LIMITED TO DAMAGES FOR EXPENSES, SUCH AS, EXTRA UTILITY EXPENSES, SHIPPING COSTS RELATED TO REPAIR OR REPLACEMENT OF ANY PRODUCT OR DAMAGES TO PROPERTY, RESULTING FROM BREACH OF THIS WARRANTY OR ANY IMPLIED WARRANTY.** Some states and provinces do not allow the exclusion or limitation of incidental or consequential damages, so these provisions may not apply to you.

**Where Can Any Legal Remedies Be Pursued**

Please see the Arbitration Clause and Related Provisions, which affect your legal rights. [Read this Arbitration Clause](#) and its related provisions carefully. The Arbitration Clause is also available on Prizer-Painter's website.

## PERFORMANCE CHECKLIST

This checklist has been developed to assure proper installation of your appliance  
 To validate your warranty you must mail or fax this form and a copy of your receipt to:  
 Warranty Department, Prizer-Painter, 318 June Avenue, Blandon, PA 19510 or  
 email [bluestarservice@bluestarcooking.com](mailto:bluestarservice@bluestarcooking.com)

### Customer Information (Please Print)

### Product Information (Please Print)

Name: \_\_\_\_\_ Model No: \_\_\_\_\_  
 Address: \_\_\_\_\_ Serial No: \_\_\_\_\_  
 City: \_\_\_\_\_ Purchase Date: \_\_\_\_\_  
 State, Zip Code: \_\_\_\_\_ Installation Date: \_\_\_\_\_  
 e-mail: \_\_\_\_\_ Installer's Name: \_\_\_\_\_  
 Telephone: \_\_\_\_\_ Company: \_\_\_\_\_  
 Dealer: \_\_\_\_\_ Telephone: \_\_\_\_\_

### CHECK ALL THAT APPLY

#### Unpacking

Packaging Condition	<u>GOOD</u>	<u>BAD</u>
Baffles Included	<input type="checkbox"/> YES	<input type="checkbox"/> NO
Flue (optional on some units)	<input type="checkbox"/> YES	<input type="checkbox"/> NO
Owner Manual Included	<input type="checkbox"/> YES	<input type="checkbox"/> NO
User Manual Included	<input type="checkbox"/> YES	<input type="checkbox"/> NO

#### Appearance and Aesthetics

Exterior clean and scratch free	<input type="checkbox"/> YES	<input type="checkbox"/> NO
Interior clean	<input type="checkbox"/> YES	<input type="checkbox"/> NO

#### Installation

Read User Manual	<input type="checkbox"/> YES	<input type="checkbox"/> NO
Product was installed Level	<input type="checkbox"/> YES	<input type="checkbox"/> NO
Properly Hung	<input type="checkbox"/> YES	<input type="checkbox"/> NO
Clearances (min. 30" above counter)	<input type="checkbox"/> YES	<input type="checkbox"/> NO

#### Controls and lights

Switches work	<input type="checkbox"/> YES	<input type="checkbox"/> NO
Lights work	<input type="checkbox"/> YES	<input type="checkbox"/> NO

#### Electrical Connection

Correct Voltage	<input type="checkbox"/> YES	<input type="checkbox"/> NO
Grounded Electric	<input type="checkbox"/> YES	<input type="checkbox"/> NO
Polarity correct	<input type="checkbox"/> YES	<input type="checkbox"/> NO

CUSTOMER COPY

## PERFORMANCE CHECKLIST

This checklist has been developed to assure proper installation of your appliance  
To validate your warranty you must mail or fax this form and a copy of your receipt to:  
Warranty Department, Prizer-Painter, 318 June Avenue, Blandon, PA 19510 or  
email [bluestarservice@bluestarcooking.com](mailto:bluestarservice@bluestarcooking.com)

### Customer Information (Please Print)

### Product Information (Please Print)

Name: \_\_\_\_\_ Model No: \_\_\_\_\_  
Address: \_\_\_\_\_ Serial No: \_\_\_\_\_  
City: \_\_\_\_\_ Purchase Date: \_\_\_\_\_  
State, Zip Code: \_\_\_\_\_ Installation Date: \_\_\_\_\_  
e-mail: \_\_\_\_\_ Installer's Name: \_\_\_\_\_  
Telephone: \_\_\_\_\_ Company: \_\_\_\_\_  
Dealer: \_\_\_\_\_ Telephone: \_\_\_\_\_

### CHECK ALL THAT APPLY

#### Unpacking

	<u>GOOD</u>	<u>BAD</u>
Packaging Condition	<input type="checkbox"/> YES	<input type="checkbox"/> NO
Baffles Included	<input type="checkbox"/> YES	<input type="checkbox"/> NO
Flue (optional on some units)	<input type="checkbox"/> YES	<input type="checkbox"/> NO
Owner Manual Included	<input type="checkbox"/> YES	<input type="checkbox"/> NO
User Manual Included	<input type="checkbox"/> YES	<input type="checkbox"/> NO

#### Appearance and Aesthetics

Exterior clean and scratch free	<input type="checkbox"/> YES	<input type="checkbox"/> NO
Interior clean	<input type="checkbox"/> YES	<input type="checkbox"/> NO

#### Installation

Read User Manual	<input type="checkbox"/> YES	<input type="checkbox"/> NO
Product was installed Level	<input type="checkbox"/> YES	<input type="checkbox"/> NO
Properly Hung	<input type="checkbox"/> YES	<input type="checkbox"/> NO
Clearances (min. 30" above counter)	<input type="checkbox"/> YES	<input type="checkbox"/> NO

#### Controls and lights

Switches work	<input type="checkbox"/> YES	<input type="checkbox"/> NO
Lights work	<input type="checkbox"/> YES	<input type="checkbox"/> NO

#### Electrical Connection

Correct Voltage	<input type="checkbox"/> YES	<input type="checkbox"/> NO
Grounded Electric	<input type="checkbox"/> YES	<input type="checkbox"/> NO
Polarity correct	<input type="checkbox"/> YES	<input type="checkbox"/> NO

MAIL-IN COPY