

**⚠ WARNING**

**Electrical Shock Hazard**

Follow these basic precautions:

- Plug into a grounded three-prong outlet.
- Do not remove ground prong.
- Do not use an adapter.
- Do not use an extension cord.
- Disconnect power before servicing.
- Replace all parts and panels before operating.
- Remove doors from your old refrigerator.
- Use nonflammable cleaner.
- Keep flammable materials and vapors, such as gasoline, away from refrigerator.
- Use two or more people to move and install refrigerator.

Failure to follow these instructions can result in death, electrical shock, or fire.

**⚠ WARNING**

**Tip Over Hazard**

Refrigerator is top heavy and tips easily when not completely installed. Use two or more people to move and install refrigerator. Failure to follow these instructions can result in death or serious injury.

**⚠ AVERTISSEMENT**

**Risque de choc électrique**

Observer les précautions de base suivantes

- Brancher l'appareil à une prise triphasée mise à la terre.
- Ne pas retirer la broche de mise à la terre.
- Ne pas utiliser d'adaptateur.
- Ne pas utiliser de rallonge.
- Débrancher l'alimentation avant l'entretien.
- Remettre en place toutes les pièces et tous les panneaux avant d'utiliser le produit.
- Déposer les portes de votre ancien réfrigérateur.
- Utiliser un nettoyant ininflammable.
- Garder les matières et les vapeurs inflammables, comme l'essence, à l'écart du réfrigérateur.
- Deux personnes ou plus doivent déplacer et installer le réfrigérateur.

Le non-respect de ces instructions peut entraîner la mort, un choc électrique ou un incendie.

**⚠ AVERTISSEMENT**

**Risque de renversement**

Le réfrigérateur est très lourd et se renverse facilement quand il n'est pas complètement installé. Deux personnes ou plus doivent déplacer et installer le réfrigérateur. Le non-respect de ces instructions peut entraîner la mort ou des blessures graves.

**Tools and Materials**

- Phillips screwdriver
- Power drill and drill bits (for anchor bracket)
- Stud finder
- 1/2" socket wrench
- Tubing cutter
- 3' of 1/4" OD copper, braided stainless steel, or PEX tubing
- Saddle valve
- 1/2" open end wrench
- 5/16" hex head socket

Before starting the installation, uncrate and inspect the refrigerator. Remove packing materials but do not discard anchor bracket, toe grille, and associated hardware.

**Step 1 — Install Anchor Bracket**

**⚠ WARNING**

**Tip Over Hazard**

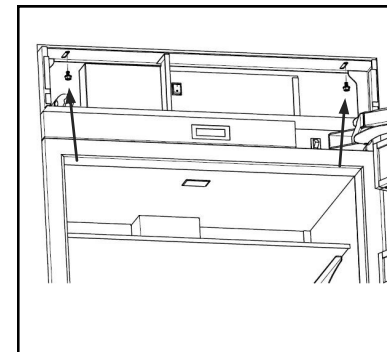
Anchor bracket must be installed property to prevent refrigerator from tipping. Failure to follow these instructions can result in death or serious injury.

**⚠ AVERTISSEMENT**

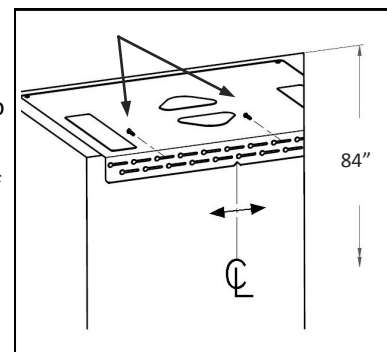
**Risque de renversement**

Le support d'ancrage doit être installé correctement pour empêcher le renversement du réfrigérateur. Le non-respect de ces instructions peut entraîner la mort ou des blessures graves.

- The anchor bracket is attached to the top of the refrigerator during shipping. Remove it by lifting the top grille and removing the two 1/2" bolts. Save the bolts to use when anchoring the refrigerator in the final position.



- Install anchor bracket on back wall of the enclosure. The notch in the back of the bracket should be centered in the enclosure (from side to side). Secure the anchor bracket with at least two screws spaced far apart, close to the sides of the bracket. Screws must be securely threaded into wood or metal studs that are structurally sound and part of the building structure.



**Step 2 — Move Refrigerator into Position**

- Remove the wood base and discard the shipping bolts and brackets. Use an appliance cart to move the refrigerator near the front of the enclosure. Ensure the leveling legs are retracted to allow the refrigerator to be rolled into position. Front and rear leveling can be done from the front once the refrigerator is in position.

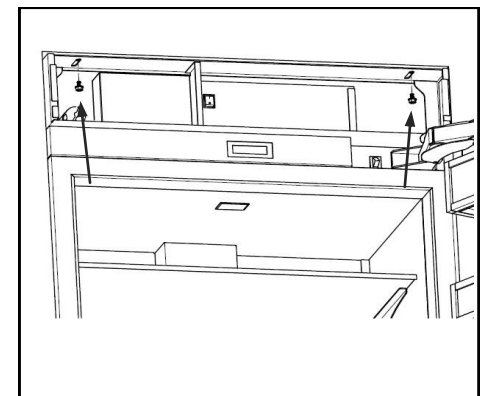
**Important:** If the refrigerator has been on its back or side, it must stand upright for a minimum of 24 hours before connecting power.

- Plug the power cord into the grounded outlet and roll the refrigerator into position, ensuring the water line does not interfere underneath the unit and the power cord does not interfere at the back.

**Important:** If the floor is not level, it may be necessary to level the refrigerator prior to rolling it into the enclosure. See step 4 on leveling to temporarily tilt the refrigerator. Final leveling can be done from the front.

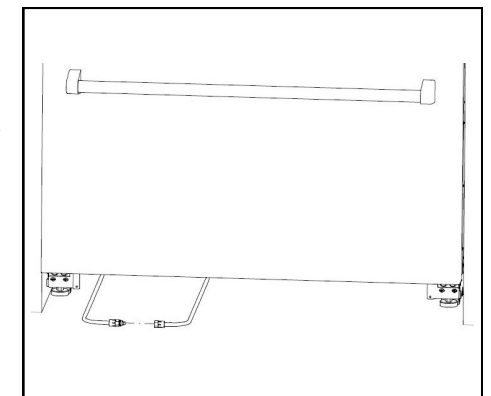
- Lift the top grille and align the slots in the upper cabinet with the holes in the anchor bracket. Install 1/2" anchor bolts with lock washers but do not tighten until leveling is complete.

**Important:** If the mounting holes do not align with the slots in the top of the cabinet behind the top grille, it may be necessary to roll the refrigerator out of the enclosure, loosen the anchor bracket screws on the back wall, slide the bracket left or right, and retighten the screws.



**Step 3 — Connect Water Line**

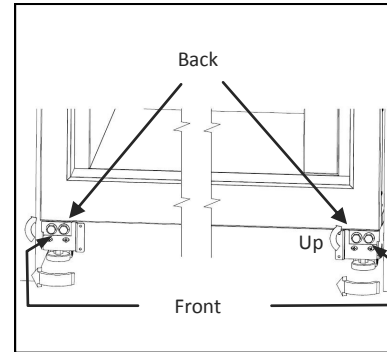
- Place the sleeve and nut on the water line under the refrigerator and fasten it to the connection at the end of the tubing. Do not over-tighten. Check all water line fittings for leaks. If using a reverse osmosis system, do not install the water filter. A bypass plug is not necessary as there is an internal bypass circuit, which eliminates the need for a separate plug.



# BLUESTAR REFRIGERATOR INSTALLATION INSTRUCTIONS—DO NOT DISCARD

## Step 4 — Level Refrigerator

- The height adjustment for the front and back can be made from the front of the refrigerator. Turn the hex bolt clockwise with a 1/2" socket wrench to raise the refrigerator or counterclockwise to lower it. The refrigerator is designed to raise a maximum of 1" from the shipped position. Do not attempt to raise the refrigerator beyond that point as damage to the leveling system will occur.



**Important:** Do not use a power drill and do not over-tighten the leveling bolts. Level the refrigerator to the floor, not the surrounding cabinetry, as this could affect door closing. When the refrigerator is properly leveled, door and drawer adjustment are less likely to be necessary.

### ⚠ WARNING

#### Tip Over Hazard

Front leveling legs must be firmly in contact with the floor to reduce the possibility of the refrigerator tipping forward. Failure to follow these instructions can result in death or serious injury.

### ⚠ AVERTISSEMENT

#### Risque de renversement

Les pieds de nivellement avant doivent être fermement en contact avec le plancher pour réduire le risque de renversement du réfrigérateur vers l'avant. Le non-respect de ces instructions peut entraîner la mort ou des blessures graves.

- Once the refrigerator is level, extend the front feet to the floor and hand-tighten an additional half turn. These feet will help stabilize the refrigerator.

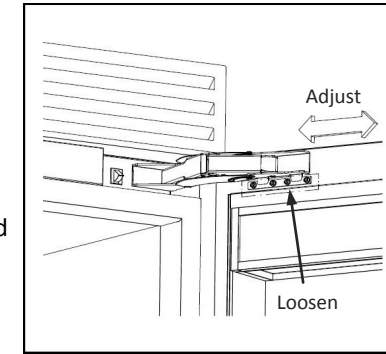
## Step 5 — Align Doors and Top Grille (if necessary)

Only adjust the doors and/or top grille if is necessary to achieve uniform gaps and proper alignment.

### Refrigerator Door

**Important:** Adjust the top hinge or bottom hinge bolts. Do not loosen the top and bottom hinge bolts at the same time.

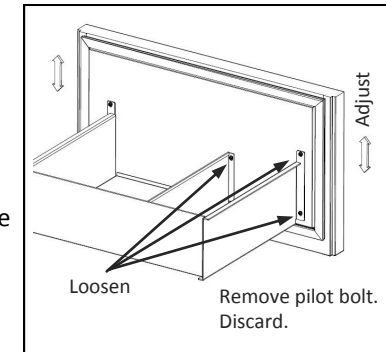
- Loosen four bolts with a 5/16" hex head socket.
- Slide door left or right as necessary to achieve uniform gaps on the sides and/or between the upper door and lower drawer.
- Retighten the bolts. Bolts need to be tightened to 50 in. lb. It is normal for the door to lower and tilt slightly when loaded with food.
- Repeat process for the bottom of the door if necessary.



### Freezer Drawer

**Important:** Adjust one side at a time.

- Remove the middle bolt from the side mounting bracket with a 5/16" hex head socket. Discard the bolt as it is a pilot screw for initial assembly only.
- Loosen the remaining two bolts from the side mounting bracket and the divider screw from the center of the drawer.
- Slide the door up or down as necessary to achieve uniform gaps between the upper door and lower drawer.
- Retighten the bolts. Bolts need to be tightened to 50 in. lb.
- Repeat process as necessary for the other side.



### Top Grille

- Top grille can be adjusted vertically where hinge attaches to the grille. Grille can be adjusted horizontally where hinge base is attached to the upper cabinet frame.
- Loosen Phillips screws and adjust grille as needed. Retighten screws.

## Step 6 — Anchor Refrigerator and Install Toe Grille

- Tighten the 1/2" anchor bolts through the top of the cabinet to the anchor brackets with a 1/2" socket wrench. Close the top grille.
- Attach the upper toe grille to the brackets at the base of the refrigerator with one black Phillips screw on each side. Brackets may be adjusted side to side if necessary to improve the fit to the enclosure.
- Attach the lower toe grille using one black Phillips screw on each side. Bottom of the toe grille should rest on the floor.

