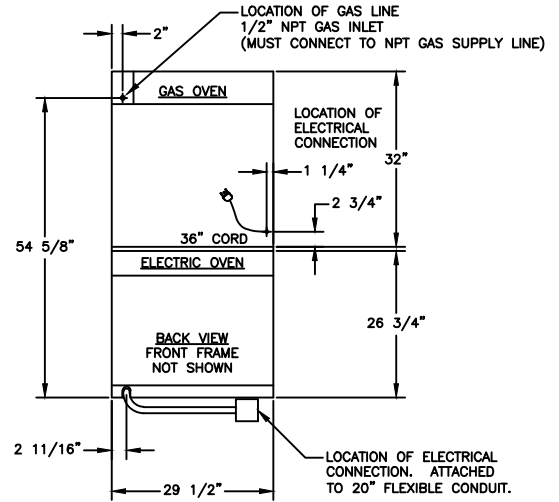
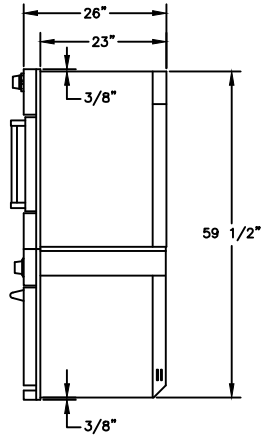
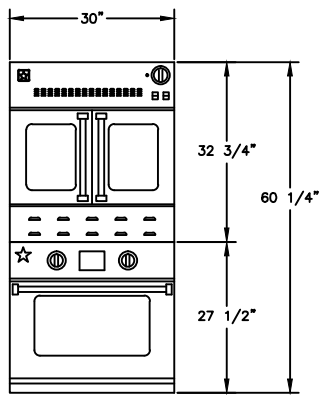


## BLUESTAR STACKED WALL OVEN 30" - GAS ABOVE ELECTRIC



### SPECIFICATIONS GAS OVEN:

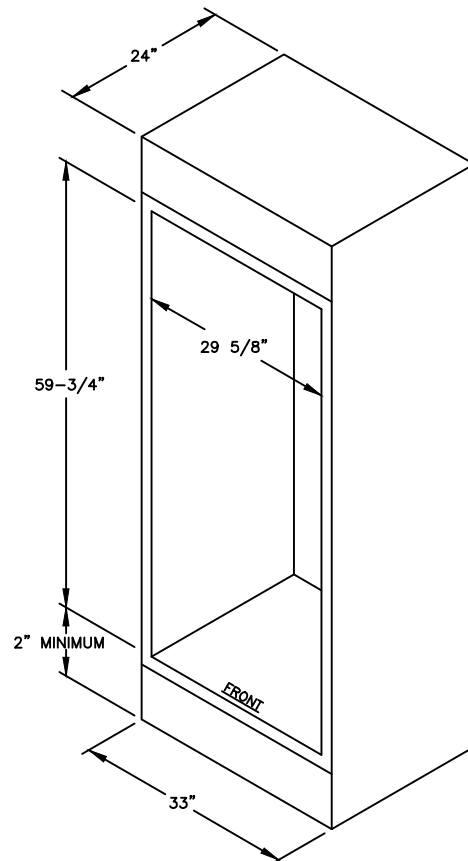
- OVEN INTERIOR: ----- 26.25"W x 20"D x 15"H
- OVEN BURNER RATING ----- 25,000 BTU
- OVEN INFRARED BROILER RATING -- 15,000 BTU
- OVEN HEAT ASSIST ELEMENT ----- 3,000 BTU
  
- SINGLE OVEN:  
ELECTRICAL REQUIREMENTS ----- 120V, 60Hz, 15 AMPS, 1 PH  
(UNIT MUST BE ON A NON-GFI, DEDICATED OUTLET)
  
- OPERATING GAS PRESSURE ----- NAT: 5.0" WC  
LP: 10.0" WC

### SPECIFICATIONS ELECTRIC OVEN:

- OVEN INTERIOR:  
30" OVEN: ----- 26.25"W x 20"D x 15"H
  
- OVEN BAKE ELEMENT RATING ----- 2500 WATTS
- OVEN BROILER ELEMENT RATING -- 5000 WATTS
- OVEN HEAT ASSIST ELEMENT ----- 1800 WATTS
  
- ELECTRICAL REQUIREMENTS:  
SINGLE OVEN ----- 240V, 60Hz, 30 AMPS, 1 PH  
(UNIT MUST BE ON A NON-GFI, DEDICATED OUTLET)

### OPTIONS

- LEFT OR RIGHT SWING DOOR
- ADDITIONAL OVEN RACK
- FULL EXTENSION OVEN RACK
- CUSTOM COLOR



RECOMMENDED CABINET WIDTH  
FOR 30" OVEN IS 33"  
**CLEARANCES**

VISIT [www.bluestarcooking.com](http://www.bluestarcooking.com) FOR CUSTOM CONFIGURATIONS