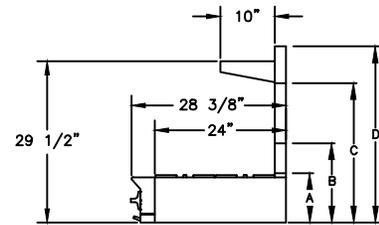
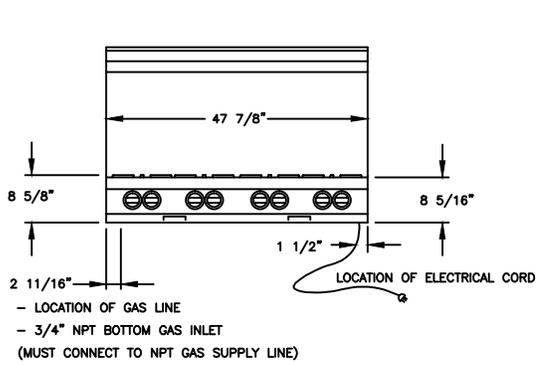


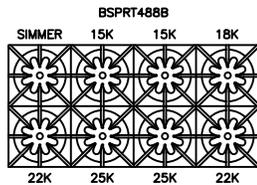
## BLUESTAR 48" BSPRT RANGETOP SERIES



LOCATION OF ELECTRICAL CONNECTION  
 NOTE: A HOLE MUST BE DRILLED INTO THE BASE CABINET TO ACCEPT ELECTRICAL CORD.

LOCATION OF GAS LINE  
 NOTE: A HOLE MUST BE DRILLED INTO THE BASE CABINET TO ACCEPT GAS LINE.

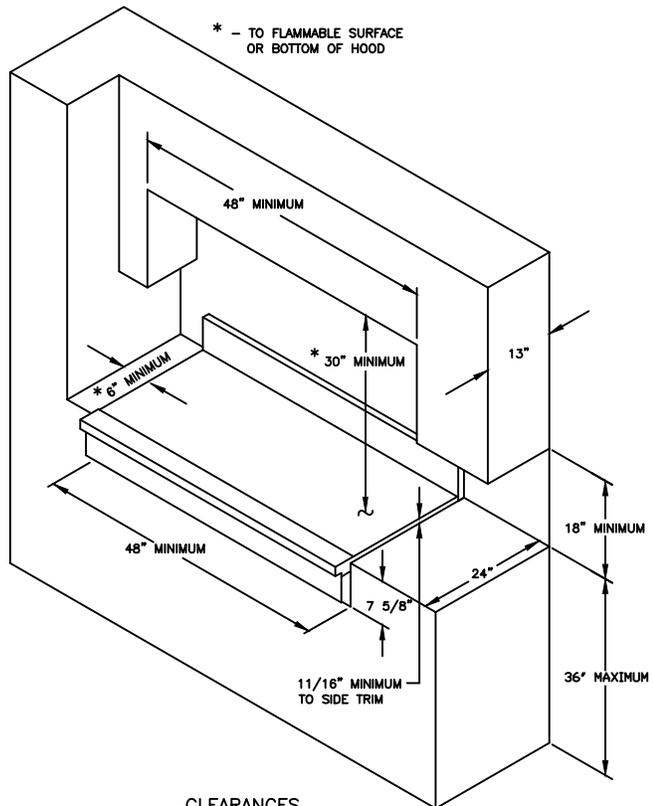
A - ISLAND TRIM HEIGHT - 9 1/16"  
 B - 6" STANDARD BACKGUARD HEIGHT - 14-9/16"  
 C - 17" BACKGUARD HEIGHT - 25-9/16"  
 D - HIGH SHELF BACKGUARD HEIGHT - 32 5/16"



### CONFIGURATIONS

#### SPECIFICATIONS:

- SIMMER BURNER RATING \_ \_ \_ \_ 9,000 BTU, 130°F
- TOP NOVA BURNER RATING \_ \_ \_ \_ 15,000 BTU
- TOP SUPERNOVA BURNER RATING \_ \_ 18,000 BTU
- TOP PRIMANOVA BURNER RATING \_ \_ 22,000 BTU
- TOP ULTRANOVA BURNER RATING \_ \_ 25,000 BTU
  
- CAST IRON INTERCHANGABLE GRIDDLE CHARBROILER SYSTEM
  
- ELECTRICAL REQUIREMENTS \_ \_ \_ \_ 120V, 60Hz, 15 AMPS, 1 PH  
 (UNIT MUST BE ON A NON-GFI, DEDICATED OUTLET)
  
- OPERATING GAS PRESSURE \_ \_ \_ \_ NAT: 5.0" WC  
 LP: 10.0" WC
- INSTALLATION CLEARANCE \_ \_ \_ \_ 0" SIDE CABINET  
 0" BACK WALL



#### CLEARANCES

VISIT [www.bluestarcooking.com](http://www.bluestarcooking.com) FOR CUSTOM CONFIGURATIONS