



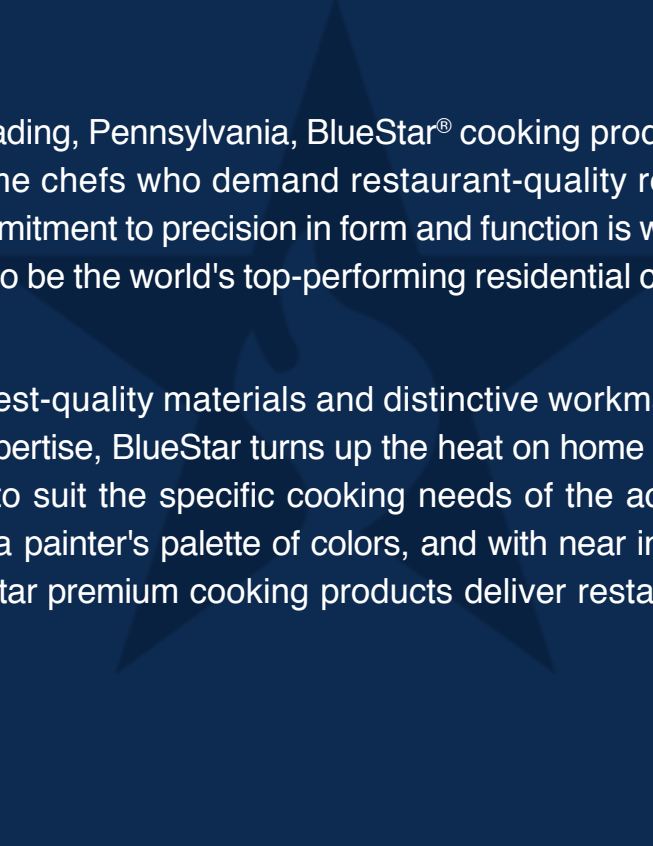
BLUESTAR[®]

Unleash Your Inner Chef[®]



2016 Designer Product Guide





Handcrafted in Reading, Pennsylvania, BlueStar® cooking products are designed for discerning home chefs who demand restaurant-quality results in their own kitchens. Our commitment to precision in form and function is why many top chefs consider BlueStar to be the world's top-performing residential cooking equipment.

Built with the highest-quality materials and distinctive workmanship that comes from 130 years expertise, BlueStar turns up the heat on home cooking with a fully customizable line to suit the specific cooking needs of the accomplished home chef. Available in a painter's palette of colors, and with near infinite configuration possibilities, BlueStar premium cooking products deliver restaurant magic to the home kitchen.

Unsurpassed Customization

Available in over 750+ colors and finishes with near infinite configuration possibilities, BlueStar® cooking equipment is designed to suit your personal style and unique cooking preferences. Build your own BlueStar® today at www.bluestarcooking.com.

Design Preferences

Color

750+ Colors & Finishes



Knob Color

Available in 190 Colors



Trim Finish (Handles, Bezels)

Stainless Steel, Brass, Antique Brass, Antique Copper, Copper, Chrome, Smoked Chrome, Gun Metal Nickel, Satin Nickel, Oil Rubbed Bronze



Cooking Preferences

Size

24", 30", 36", 48" & 60"



Burner Configuration



Additional configurations available at www.bluestarcooking.com

Backguard

Island Trim, 6", 17" & 24"



Door

Standard, Swing Left, Swing Right and French Doors







Freestanding Ranges

24" PLATINUM SERIES

FREESTANDING RANGES

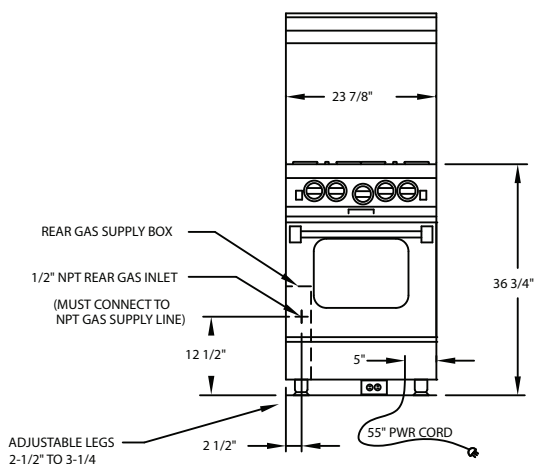
RANGETOPS

COOKTOPS

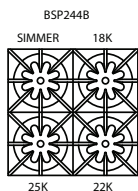
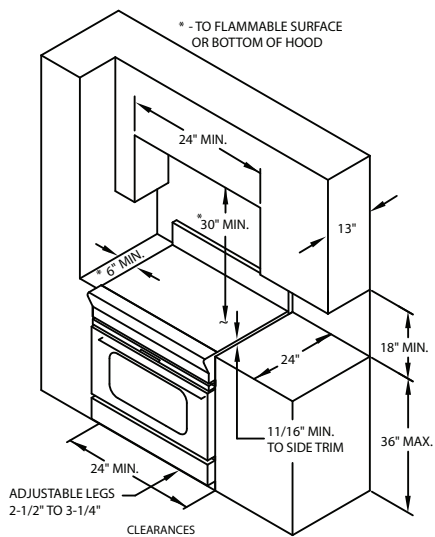
WALL OVENS

VENTILATION

REFRIGERATION



ELECTRICAL CORD LOCATED IN BACK OF UNIT
 LOCATION OF ELECTRICAL OUTLET MUST NOT BE HIGHER THAN 3" FROM FLOOR IF LOCATED BEHIND THE UNIT OR CAN BE LOCATED IN AN ADJOINING CABINET.



PRODUCT FEATURES

- PrimaNova™ power burner delivers 25,000 BTUs of intense heat
- All burners include Interchangeable Griddle and Charbroiler
- Gentle 130° simmer burner
- New PowR Oven™ provides 40% faster preheating and 30% increase in oven efficiency
- Extra-large oven with True European Convection and 1850° Infrared Broiler
- Available in 750+ colors and finishes
- 24" depth for compatibility with standard kitchen cabinetry
- Removable, dishwasher-friendly stainless steel drip trays
- Includes standard island trim backguard

SPECIFICATIONS

- Range Dimensions:** 23.875"W x 24"D x 36.75"H
- Oven Interior:** 20.25"W x 20"D x 15"H
- Top Burner Rating:** 25,000 BTUs
- Simmer Burner Rating:** 9,000 BTUs
- PowR Oven Burner Rating:** 25,000 BTUs
- Infrared Broiler Rating:** 15,000 BTUs
- Electrical Requirements:** 120V, 60Hz, 15 AMPS, 1 PH (Unit must be on a Non-GFI, dedicated outlet)
- Operating Gas Pressure:** NAT: 5.0" WC, LP: 10.0" WC
- Gas Line Size:** 1/2"
- Installation Clearance:** 0" Side Cabinet, 0" Back Wall

MODEL CONFIGURATIONS

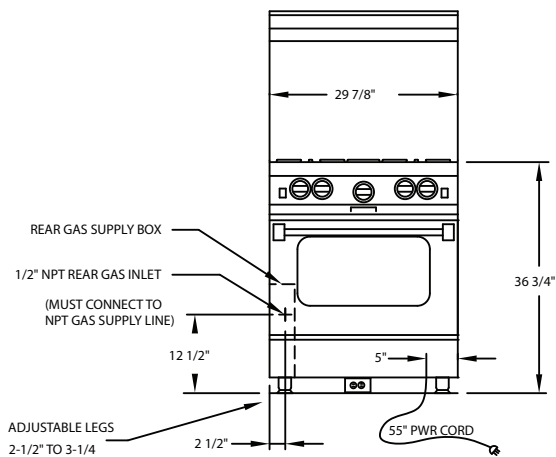
- Four Burners with Cast Iron Interchangeable Griddle/Charbroiler** BSP244B

DESIGN OPTIONS

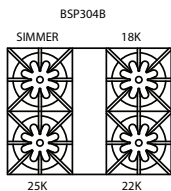
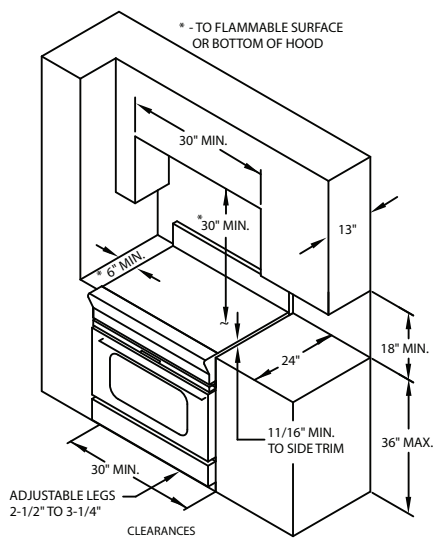
- Range color, knob color, trim finish, and backguard options (see page 4).

MODEL OPTIONS

- Casters
- Additional oven rack
- Full extension oven rack



ELECTRICAL CORD LOCATED IN BACK OF UNIT
 LOCATION OF ELECTRICAL OUTLET MUST
 NOT BE HIGHER THAN 3" FROM FLOOR IF LOCATED BEHIND
 THE UNIT OR CAN BE LOCATED IN AN ADJOINING CABINET.



PRODUCT FEATURES

- PrimaNova™ power burner delivers 25,000 BTUs of intense heat
- All burners include Interchangeable Griddle and Charbroiler
- Gentle 130° simmer burner
- New PowR Oven™ provides 40% faster preheating and 30% increase in oven efficiency
- Extra-large oven with True European Convection and 1850° Infrared Broiler
- Available in 750+ colors and finishes
- Accommodates full-size commercial 18" x 26" baking sheet
- 24" depth for compatibility with standard kitchen cabinetry
- Removable, dishwasher-friendly stainless steel drip trays
- Includes standard island trim backguard

SPECIFICATIONS

- Range Dimensions:** 29.875"W x 24"D x 36.75"H
- Oven Interior:** 26.25"W x 20"D x 15"H
- Top Burner Rating:** 25,000 BTUs
- Simmer Burner Rating:** 9,000 BTUs
- PowR Oven Burner Rating:** 25,000 BTUs
- Infrared Broiler Rating:** 15,000 BTUs
- Electrical Requirements:** 120V, 60Hz, 15 AMPS, 1 PH
(Unit must be on a Non-GFI, dedicated outlet)
- Operating Gas Pressure:** NAT: 5.0" WC, LP: 10.0" WC
- Gas Line Size:** 1/2"
- Installation Clearance:** 0" Side Cabinet, 0" Back Wall

MODEL CONFIGURATIONS

- Four Burners with Cast Iron Interchangeable Griddle/Charbroiler** BSP304B

DESIGN OPTIONS

- Range color, knob color, trim finish, and backguard options *(see page 4)*.

MODEL OPTIONS

- Casters
- Additional oven rack
- Full extension oven rack

36" PLATINUM SERIES

FREESTANDING RANGES

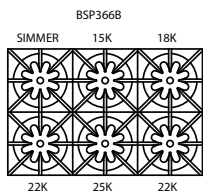
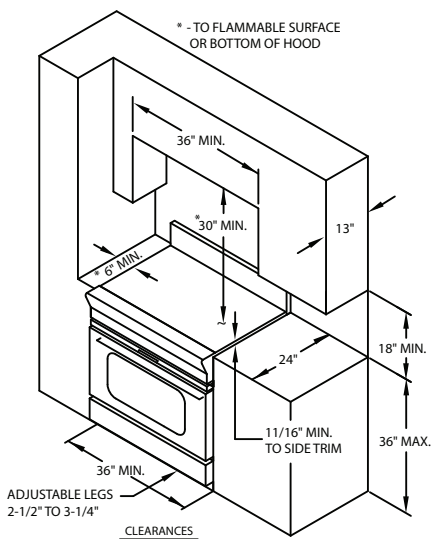
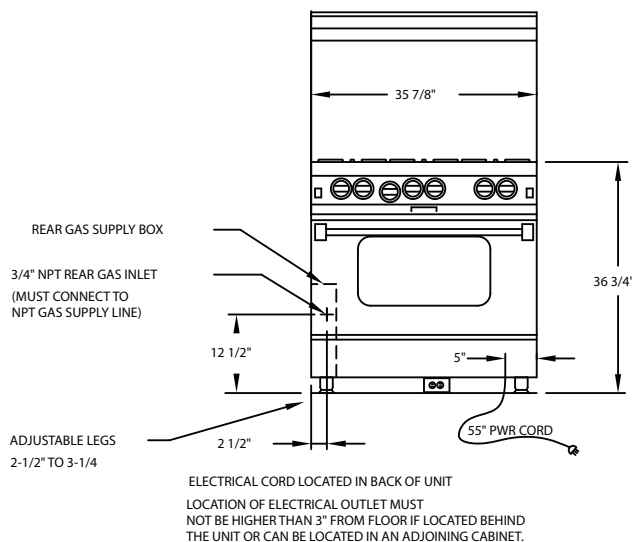
RANGETOPS

COOKTOPS

WALL OVENS

VENTILATION

REFRIGERATION



PRODUCT FEATURES

- PrimaNova™ power burner delivers 25,000 BTUs of intense heat
- All burners include Interchangeable Griddle and Charbroiler
- Gentle 130° simmer burner
- New PowR Oven™ provides 40% faster preheating and 30% increase in oven efficiency
- Extra-large oven with True European Convection and 1850° Infrared Broiler
- Available in 750+ colors and finishes
- Accommodates full-size commercial 18" x 26" baking sheet
- 24" depth for compatibility with standard kitchen cabinetry
- Removable, dishwasher-friendly stainless steel drip trays
- Includes standard island trim backguard

SPECIFICATIONS

- Range Dimensions:** 35.875"W x 24"D x 36.75"H
- Oven Interior:** 29"W x 20"D x 15"H
- Top Burner Rating:** 25,000 BTUs
- Simmer Burner Rating:** 9,000 BTUs
- PowR Oven Burner Rating:** 25,000 BTUs
- Infrared Broiler Rating:** 15,000 BTUs
- Electrical Requirements:** 120V, 60Hz, 15 AMPS, 1 PH (Unit must be on a Non-GFI, dedicated outlet)
- Operating Gas Pressure:** NAT: 5.0" WC, LP: 10.0" WC
- Gas Line Size:** 3/4"
- Installation Clearance:** 0" Side Cabinet, 0" Back Wall

MODEL CONFIGURATIONS

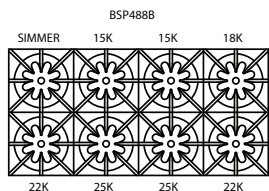
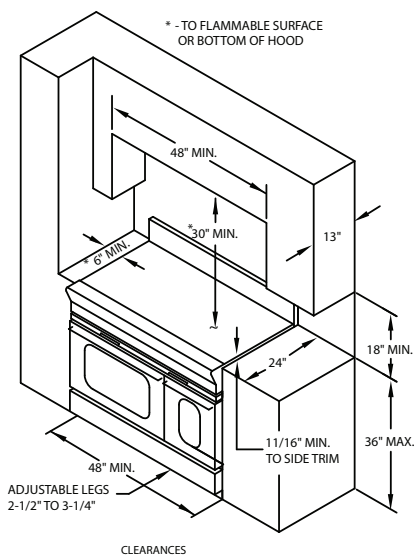
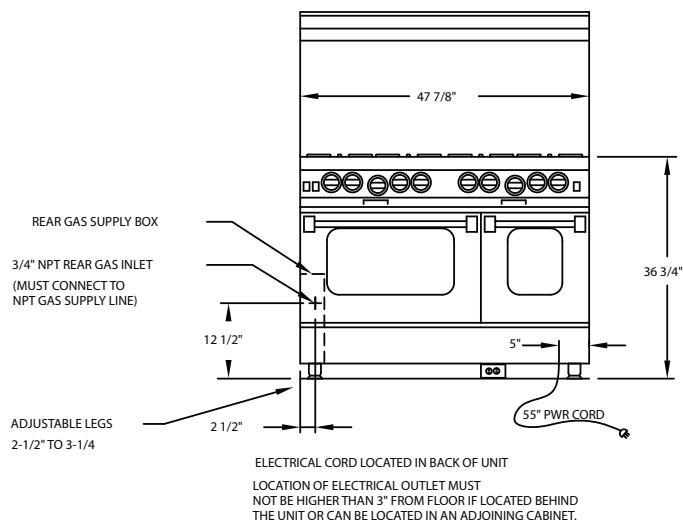
- Six Burners with Cast Iron Interchangeable Griddle/Charbroiler** BSP366B

DESIGN OPTIONS

- Range color, knob color, trim finish, and backguard options (see page 4).

MODEL OPTIONS

- Casters
- Additional oven rack
- Full extension oven rack



PRODUCT FEATURES

- PrimaNova™ power burner delivers 25,000 BTUs of intense heat
- All burners include Interchangeable Griddle and Charbroiler
- Gentle 130° simmer burner
- New PowR Oven™ provides 40% faster preheating and 30% increase in oven efficiency
- Extra-large oven with True European Convection and 1850° Infrared Broiler
- Available in 750+ colors and finishes
- Accommodates full-size commercial 18" x 26" baking sheet
- 24" depth for compatibility with standard kitchen cabinetry
- Removable, dishwasher-friendly stainless steel drip trays
- Includes standard island trim backguard

SPECIFICATIONS

- Range Dimensions:** 47.875"W x 24"D x 36.75"H
- Oven Interior:** 26.25"W x 20"D x 15"H
- Small Oven Interior:** 12"W x 20"D x 15"H
- Top Burner Rating:** 25,000 BTUs
- Simmer Burner Rating:** 9,000 BTUs
- PowR Oven Burner Rating:** 25,000 BTUs
- Small Oven Burner Rating:** 15,000 BTUs
- Infrared Broiler Rating:** 15,000 BTUs
- Electrical Requirements:** 120V, 60Hz, 15 AMPS, 1 PH (Unit must be on a Non-GFI, dedicated outlet)
- Operating Gas Pressure:** NAT: 5.0" WC, LP: 10.0" WC
- Gas Line Size:** 3/4"
- Installation Clearance:** 0" Side Cabinet, 0" Back Wall

MODEL CONFIGURATIONS

- Eight Burners with Cast Iron Interchangeable Griddle/Charbroiler** BSP488B

DESIGN OPTIONS

- Range color, knob color, trim finish, and backguard options (see page 4).

MODEL OPTIONS

- Casters
- Additional oven rack
- Full extension oven rack

60" PLATINUM SERIES

FREESTANDING RANGES

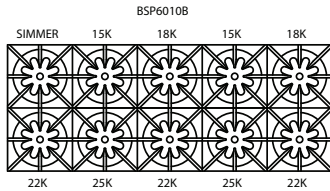
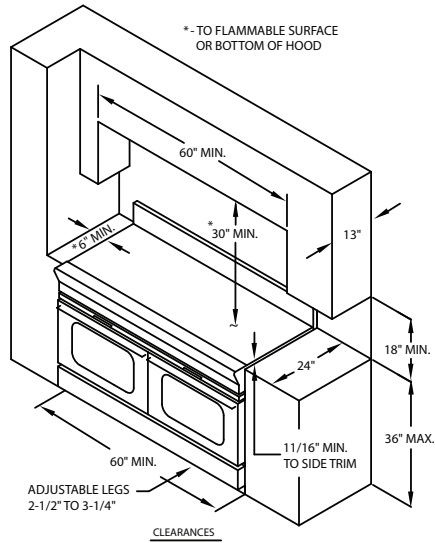
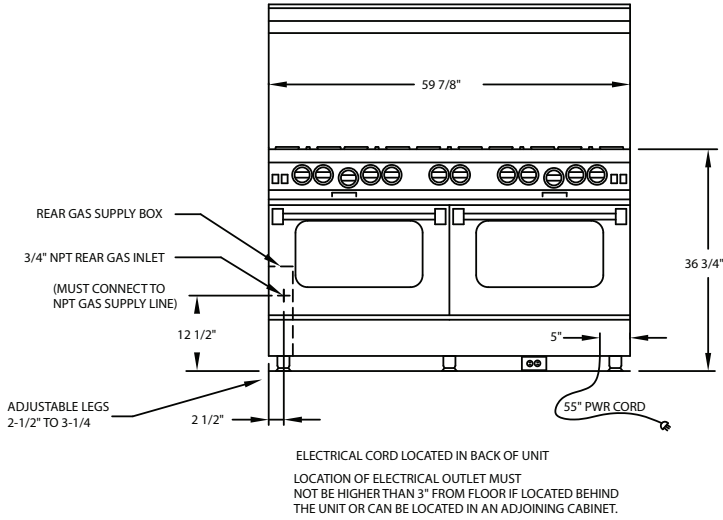
RANGETOPS

COOKTOPS

WALL OVENS

VENTILATION

REFRIGERATION



PRODUCT FEATURES

- PrimaNova™ power burner delivers 25,000 BTUs of intense heat
- All burners include Interchangeable Griddle and Charbroiler
- Gentle 130° simmer burner
- New PowR Oven™ provides 40% faster preheating and 30% increase in oven efficiency
- Extra-large oven with True European Convection and 1850° Infrared Broiler
- Available in 750+ colors and finishes
- Accommodates full-size commercial 18" x 26" baking sheet
- 24" depth for compatibility with standard kitchen cabinetry
- Removable, dishwasher-friendly stainless steel drip trays
- Includes standard island trim backguard

SPECIFICATIONS

- Range Dimensions:** 59.875"W x 24"D x 36.75"H
- Oven Interior:** 26.25"W x 20"D x 15"H
- Top Burner Rating:** 25,000 BTUs
- Simmer Burner Rating:** 9,000 BTUs
- PowR Oven Burner Rating:** 25,000 BTUs
- Infrared Broiler Rating:** 15,000 BTUs
- Electrical Requirements:** 120V, 60Hz, 15 AMPS, 1 PH (Unit must be on a Non-GFI, dedicated outlet)
- Operating Gas Pressure:** NAT: 5.0" WC, LP: 10.0" WC
- Gas Line Size:** 3/4"
- Installation Clearance:** 0" Side Cabinet, 0" Back Wall

MODEL CONFIGURATIONS

- Ten Burners with Cast Iron Interchangeable Griddle/Charbroiler** BSP6010B

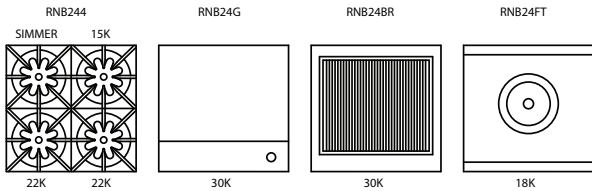
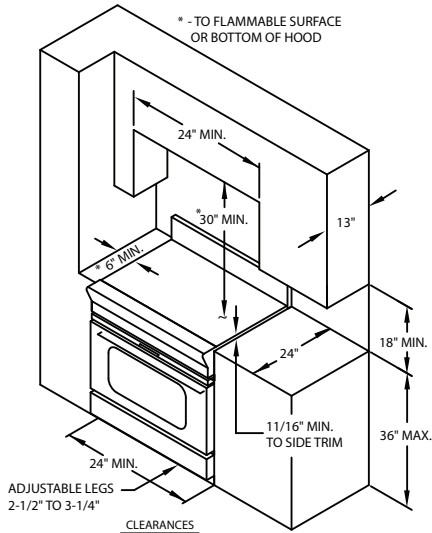
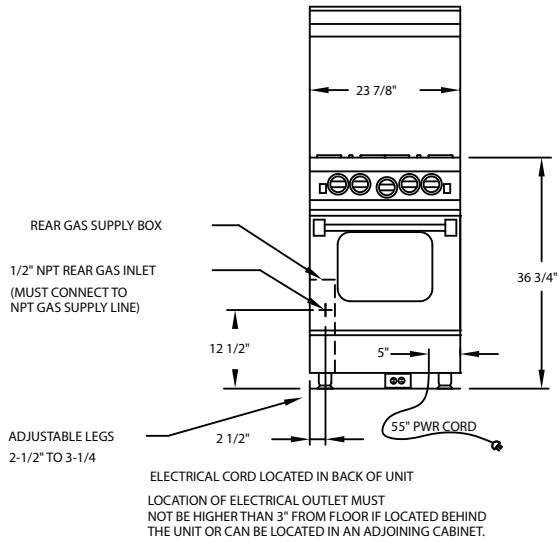
DESIGN OPTIONS

- Range color, knob color, trim finish, and backguard options (see page 4).

MODEL OPTIONS

- Casters
- Additional oven rack
- Full extension oven rack

24" RNB SERIES



PRODUCT FEATURES

- UltraNova™ power burner delivers 22,000 BTUs of intense heat
- Integrated cooktop options include griddles, charbroilers, and French tops
- Gentle 130° simmer burner
- Extra-large convection oven that accommodates a half size 18" x 13" commercial baking sheet
- 1850° Infrared broiler
- Available in 750+ colors and finishes
- Refined design and easier-to-clean cooktop
- 24" depth for compatibility with standard kitchen cabinetry

SPECIFICATIONS

Range Dimensions: 23.875"W x 24"D x 36.75"H
Oven Interior: 20.25"W x 20"D x 15"H
Top Burner Rating: 22,000 BTUs
Simmer Burner Rating: 9,000 BTUs
24" Charbroiler Burner Rating: 30,000 BTUs
24" Griddle Burner Rating: 30,000 BTUs
French Top Burner Rating: 18,000 BTUs
Oven Burner Rating: 30,000 BTUs
Infrared Broiler Rating: 15,000 BTUs
Electrical Requirements: 120V, 60Hz, 15 AMPS, 1 PH
(Unit must be on a Non-GFI, dedicated outlet)
Operating Gas Pressure: NAT: 5.0" WC, LP: 10.0" WC
Gas Line Size: 1/2"
Installation Clearance: 0" Side Cabinet, 0" Back Wall

MODEL CONFIGURATIONS

Four Burners	RNB244BV2
24" Griddle	RNB24GV2
24" Charbroiler	RNB24CBV2
French Top	RNB24FTV2

DESIGN OPTIONS

- Range color, knob color, trim finish, and backguard options (see page 4).

MODEL OPTIONS

- Casters
- Additional oven rack
- Full extension oven rack

30" RNB SERIES

FREESTANDING RANGES

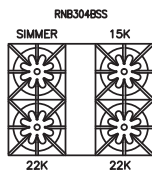
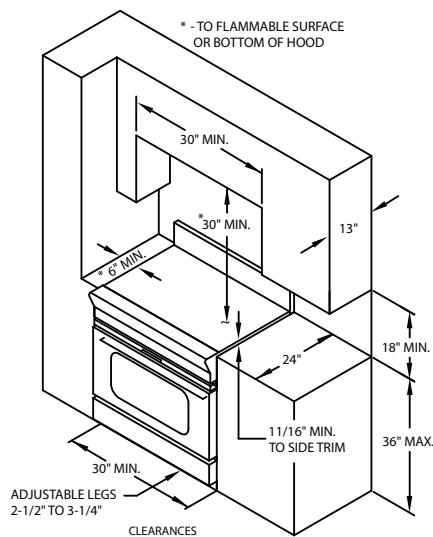
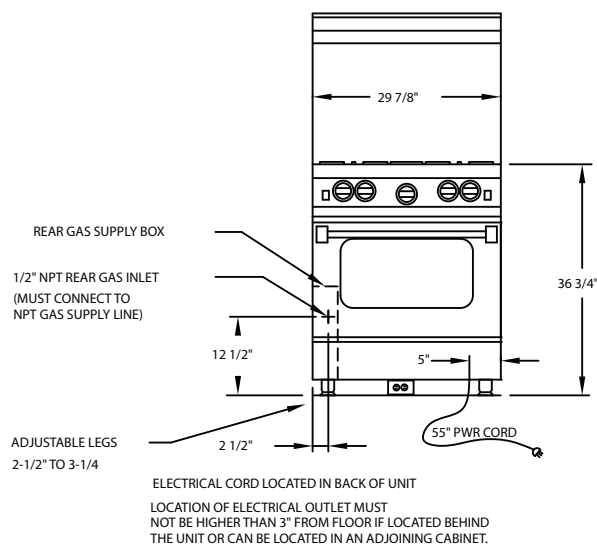
RANGETOPS

COOKTOPS

WALL OVENS

VENTILATION

REFRIGERATION



PRODUCT FEATURES

- UltraNova™ power burner delivers 22,000 BTUs of intense heat
- Integrated cooktop options include griddles, charbroilers, and French tops
- Gentle 130° simmer burner
- Extra-large convection oven that accommodates a full size 18" x 26" commercial baking sheet
- 1850° Infrared broiler
- Available in 750+ colors and finishes
- Refined design and easier-to-clean cooktop
- 24" depth for compatibility with standard kitchen cabinetry

SPECIFICATIONS

Range Dimensions: 29.875"W x 24"D x 36.75"H

Oven Interior: 26.25"W x 20"D x 15"H

Top Burner Rating: 22,000 BTUs

Simmer Burner Rating: 9,000 BTUs

Large Oven Burner Rating: 30,000 BTUs

Infrared Broiler Rating: 15,000 BTUs

Electrical Requirements: 120V, 60Hz, 15 AMPS, 1 PH
(Unit must be on a Non-GFI, dedicated outlet)

Operating Gas Pressure: NAT: 5.0" WC, LP: 10.0" WC

Gas Line Size: 1/2"

Installation Clearance: 0" Side Cabinet, 0" Back Wall

MODEL CONFIGURATIONS

Four Burners

RNB304BV2

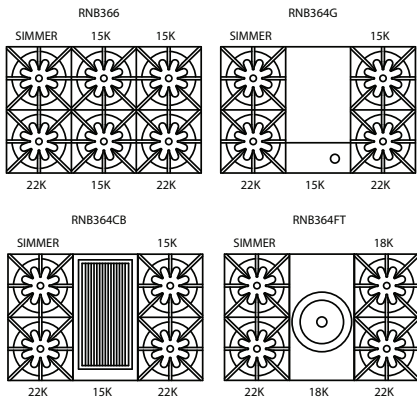
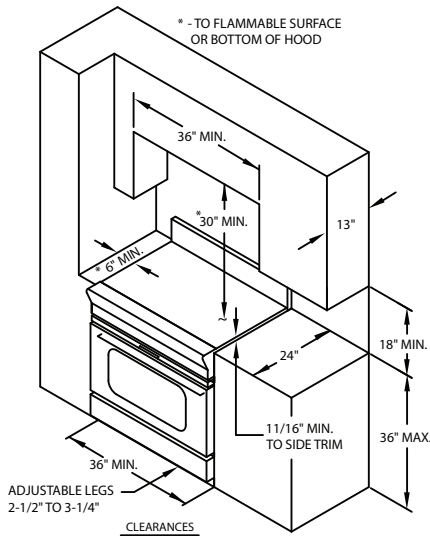
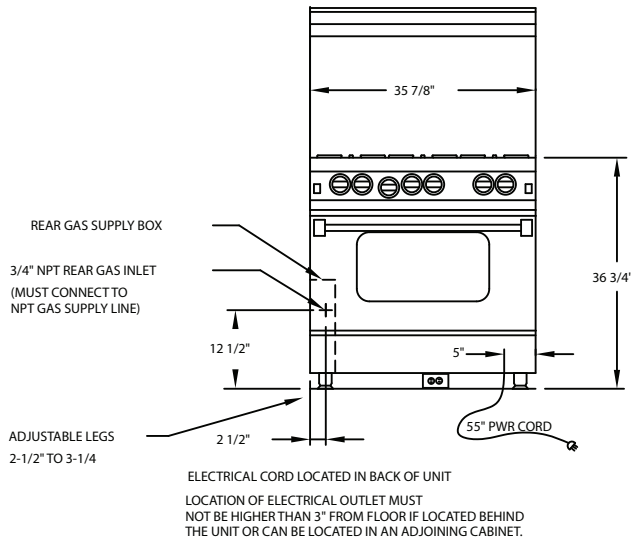
DESIGN OPTIONS

- Range color, knob color, trim finish, and backguard options (see page 4).

MODEL OPTIONS

- Casters
- Additional oven rack
- Full extension oven rack

36" RNB SERIES



PRODUCT FEATURES

- UltraNova™ power burner delivers 22,000 BTUs of intense heat
- Integrated cooktop options include griddles, charbroilers, and French tops
- Gentle 130° simmer burner
- Extra-large convection oven that accommodates a full size 18" x 26" commercial baking sheet
- 1850° Infrared broiler
- Available in 750+ colors and finishes
- Refined design and easier-to-clean cooktop
- 24" depth for compatibility with standard kitchen cabinetry

SPECIFICATIONS

Range Dimensions: 35.875"W x 24"D x 36.75"H
Oven Interior: 29"W x 20"D x 15"H
Top Burner Rating: 22,000 BTUs
Simmer Burner Rating: 9,000 BTUs
12" Charbroiler Burner Rating: 15,000 BTUs
12" Griddle Burner Rating: 15,000 BTUs
French Top Burner Rating: 18,000 BTUs
Large Oven Burner Rating: 30,000 BTUs
Infrared Broiler Rating: 15,000 BTUs
Electrical Requirements: 120V, 60Hz, 15 AMPS, 1 PH (Unit must be on a Non-GFI, dedicated outlet)
Operating Gas Pressure: NAT: 5.0" WC, LP: 10.0" WC
Gas Line Size: 3/4"
Installation Clearance: 0" Side Cabinet, 0" Back Wall

MODEL CONFIGURATIONS

Six Burners	RNB366BV2
Four Burners with 12" Griddle	RNB364GV2
Four Burners with 12" Charbroiler	RNB364CBV2

DESIGN OPTIONS

- Range color, knob color, trim finish, and backguard options (see page 4).

MODEL OPTIONS

- Casters
- Additional oven rack
- Full extension oven rack

48" RNB SERIES

FREESTANDING RANGES

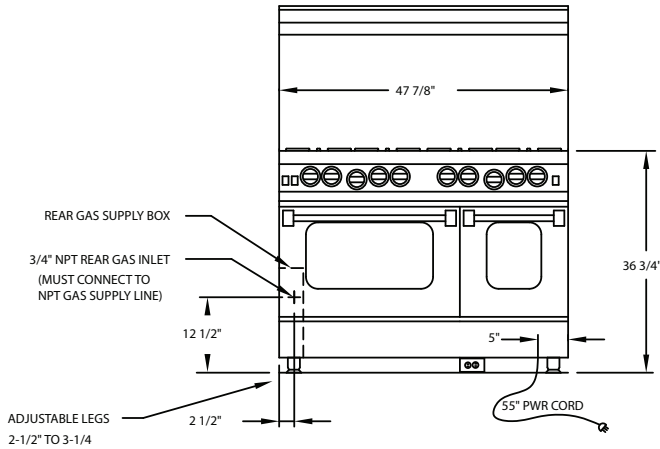
RANGETOPS

COOKTOPS

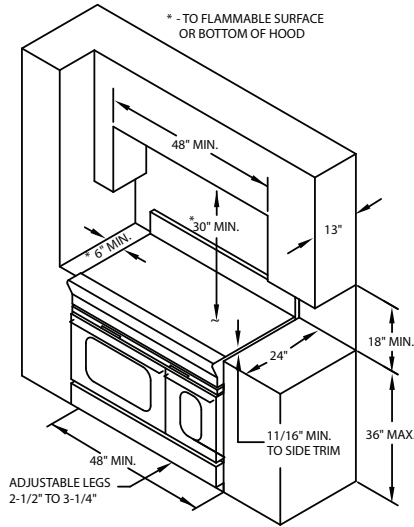
WALL OVENS

VENTILATION

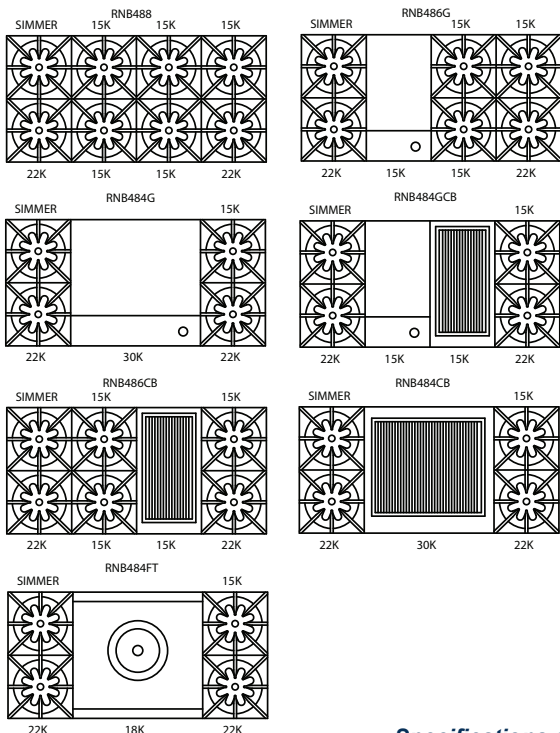
REFRIGERATION



ELECTRICAL CORD LOCATED IN BACK OF UNIT
LOCATION OF ELECTRICAL OUTLET MUST NOT BE HIGHER THAN 3" FROM FLOOR IF LOCATED BEHIND THE UNIT OR CAN BE LOCATED IN AN ADJOINING CABINET.



CLEARANCES



PRODUCT FEATURES

- UltraNova™ power burner delivers 22,000 BTUs of intense heat
- Integrated cooktop options include griddles, charbroilers, and French tops
- Gentle 130° simmer burner
- Extra-large convection oven that accommodates a full size 18" x 26" commercial baking sheet
- 1850° Infrared broiler
- Available in 750+ colors and finishes
- Refined design and easier-to-clean cooktop
- 24" depth for compatibility with standard kitchen cabinetry

SPECIFICATIONS

Range Dimensions: 47.875"W x 24"D x 36.75"H

Large Oven Interior: 26.25"W x 20"D x 15"H

Small Oven Interior: 12"W x 20"D x 15"H

Top Burner Rating: 22,000 BTUs

Simmer Burner Rating: 9,000 BTUs

12" Charbroiler Burner Rating: 15,000 BTUs

24" Charbroiler Burner Rating: 30,000 BTUs

12" Griddle Burner Rating: 15,000 BTUs

24" Griddle Burner Rating: 30,000 BTUs

French Top Burner Rating: 18,000 BTUs

Large Oven Burner Rating: 30,000 BTUs

Small Oven Burner Rating: 15,000 BTUs

Infrared Broiler Rating: 15,000 BTUs

Electrical Requirements: 120V, 60Hz, 15 AMPS, 1 PH

(Unit must be on a Non-GFI, dedicated outlet)

Operating Gas Pressure: NAT: 5.0" WC, LP: 10.0" WC

Gas Line Size: 3/4"

Installation Clearance: 0" Side Cabinet, 0" Back Wall

MODEL CONFIGURATIONS

Eight Burners	RNB488V2
Six Burners with 12" Griddle	RNB486GV2
Four Burners with 24" Griddle	RNB484GV2
Four Burners with 12" Griddle & Charbroiler	RNB484GCBV2
Six Burners with 12" Charbroiler	RNB486CB
Four Burners with 24" Charbroiler	RNB484CB
Four Burners with French Top	RNB484FT

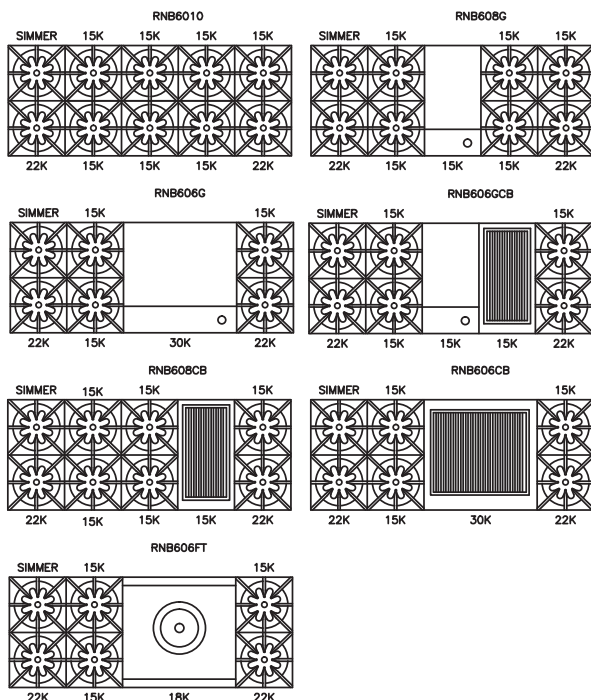
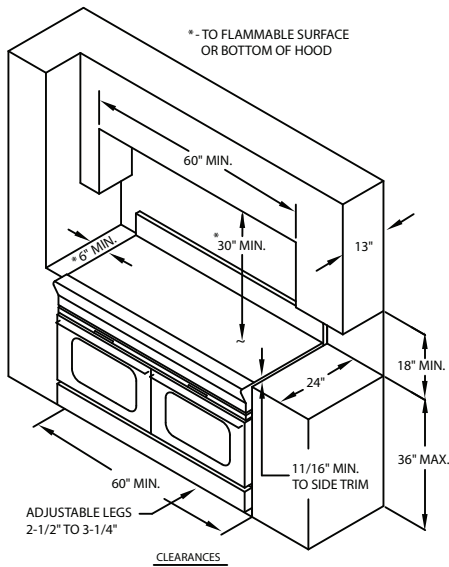
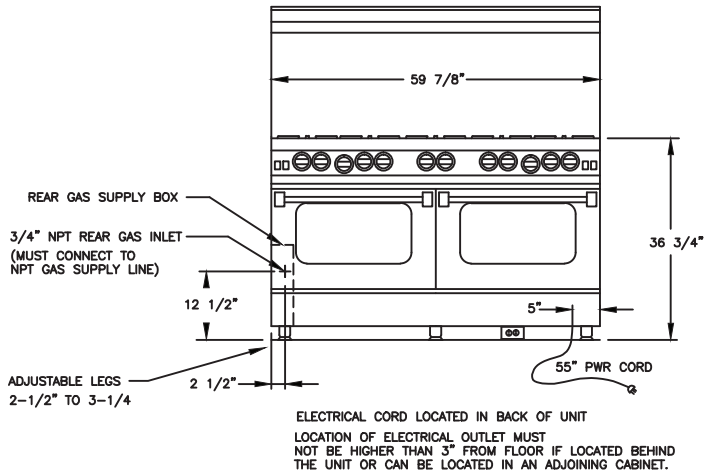
DESIGN OPTIONS

- Range color, knob color, trim finish, and backguard options (see page 4).

MODEL OPTIONS

- Casters
- Additional oven rack
- Full extension oven rack

60" RNB SERIES



PRODUCT FEATURES

- UltraNova™ power burner delivers 22,000 BTUs of intense heat
- Integrated cooktop options include griddles, charbroilers, and French tops
- Gentle 130° simmer burner
- Extra-large convection oven that accommodates a full size 18" x 26" commercial baking sheet
- 1850° Infrared broiler
- Available in 750+ colors and finishes
- Refined design and easier-to-clean cooktop
- 24" depth for compatibility with standard kitchen cabinetry

SPECIFICATIONS

Range Dimensions: 59.875"W x 24"D x 36.75"H
Large Oven Interior: 26.25"W x 20"D x 15"H
Top Burner Rating: 22,000 BTUs
Simmer Burner Rating: 9,000 BTUs
12" Charbroiler Burner Rating: 15,000 BTUs
24" Charbroiler Burner Rating: 30,000 BTUs
12" Griddle Burner Rating: 15,000 BTUs
24" Griddle Burner Rating: 30,000 BTUs
French Top Burner Rating: 18,000 BTUs
Large Oven Burner Rating: 30,000 BTUs
Infrared Broiler Rating: 15,000 BTUs
Electrical Requirements: 120V, 60Hz, 15 AMPS, 1 PH (Unit must be on a Non-GFI, dedicated outlet)
Operating Gas Pressure: NAT: 5.0" WC, LP: 10.0" WC
Gas Line Size: 3/4"
Installation Clearance: 0" Side Cabinet, 0" Back Wall

MODEL CONFIGURATIONS

Ten Burners	RNB6010V2
Eight Burners with 12" Griddle	RNB608GV2
Six Burners with 24" Griddle	RNB606GV2
Six Burners with 12" Griddle & Charbroiler	RNB606GCBV2
Eight Burners with 12" Charbroiler	RNB608CBV2
Six Burners with 24" Charbroiler	RNB606CBV2
Six Burners with French Top	RNB606FTV2

DESIGN OPTIONS

- Range color, knob color, trim finish, and backguard options (see page 4).

MODEL OPTIONS

- Casters
- Additional oven rack
- Full extension oven rack

36" RNB HERITAGE CLASSIC SERIES

FREESTANDING RANGES

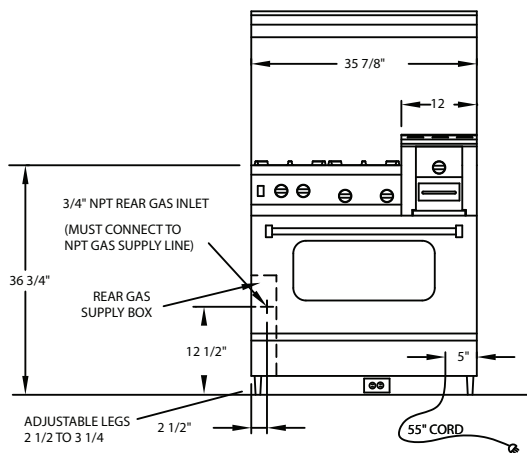
RANGETOPS

COOKTOPS

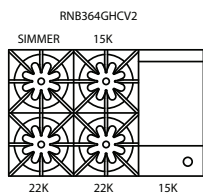
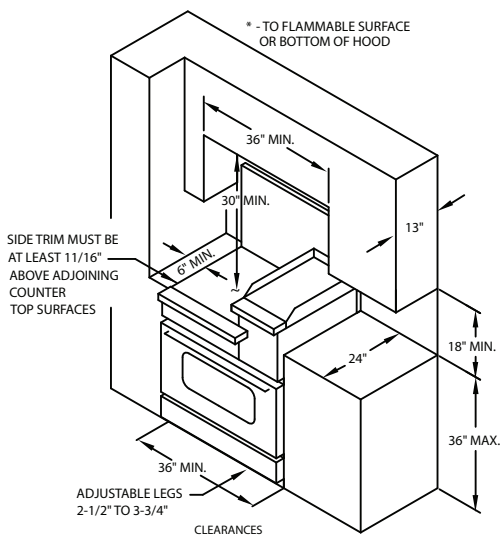
WALL OVENS

VENTILATION

REFRIGERATION



ELECTRICAL CORD LOCATED IN BACK OF UNIT
 LOCATION OF ELECTRICAL OUTLET MUST NOT BE HIGHER THAN 3" FROM FLOOR IF LOCATED BEHIND THE UNIT OR CAN BE LOCATED IN AN ADJOINING CABINET.



PRODUCT FEATURES

- UltraNova™ power burner delivers 22,000 BTUs of intense heat
- Gentle 130° simmer burner
- Full motion grates
- Includes 12" raised griddle/broiler for melting and edge-browning
- Extra-large convection oven with 1850° Infrared broiler
- Accommodates full-size commercial 18" x 26" baking sheet
- Available in 750+ colors and finishes
- Available backguard options: 17" or 24"
- Raised griddle available only on right side

SPECIFICATIONS

Range Dimensions: 35.875"W x 24"D x 41.25"H
Oven Interior: 29"W x 20"D x 15"H
Top Burner Rating: 22,000 BTUs
Simmer Burner Rating: 9,000 BTUs
Infrared Broiler Rating: 15,000 BTUs
Raised Griddle/Broiler Burner Rating: 15,000 BTUs
Infrared Broiler Rating: 30,000 BTUs
Electrical Requirements: 120V, 60Hz, 15 AMPS, 1 PH
(Unit must be on a Non-GFI, dedicated outlet)
Operating Gas Pressure: NAT: 5.0" WC, LP: 10.0" WC
Gas Line Size: 3/4"
Installation Clearance: 0" Side Cabinet, 0" Back Wall

MODEL CONFIGURATIONS

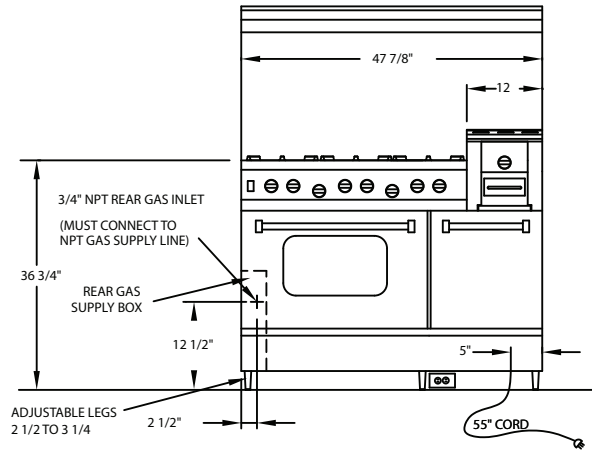
Four Burners with Griddle/Broiler RNB364GHCV2

DESIGN OPTIONS

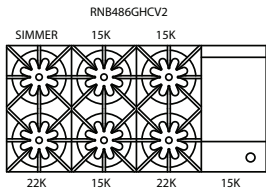
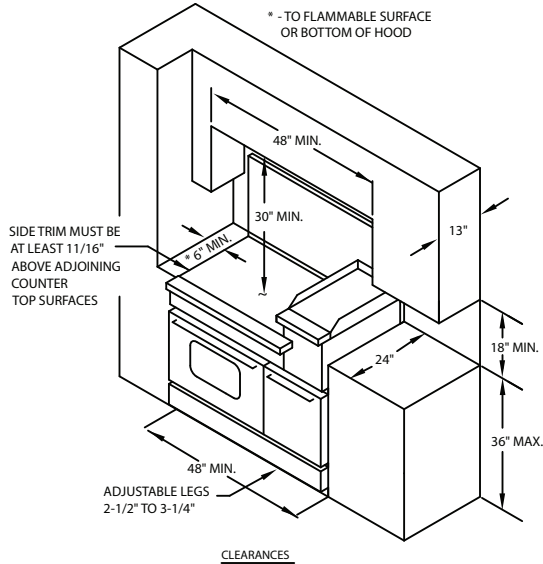
- Range color, knob color, trim finish, and backguard options (see page 4).

MODEL OPTIONS

- Casters
- Additional oven rack
- Full extension oven rack



ELECTRICAL CORD LOCATED IN BACK OF UNIT
 LOCATION OF ELECTRICAL OUTLET MUST NOT BE HIGHER THAN 3" FROM FLOOR IF LOCATED BEHIND THE UNIT OR CAN BE LOCATED IN AN ADJOINING CABINET.



PRODUCT FEATURES

- UltraNova™ power burner delivers 22,000 BTUs of intense heat
- Gentle 130° simmer burner
- Full motion grates
- Includes 12" raised griddle/broiler for melting and edge-browning
- Extra-large convection oven with 1850° Infrared broiler
- Accommodates full-size commercial 18" x 26" baking sheet
- Available in 750+ colors and finishes
- Available backguard options: 17" or 24"
- Raised griddle available only on right side

SPECIFICATIONS

Range Dimensions: 47.875"W x 24"D x 41.25"H
Oven Interior: 26.25"W x 20"D x 15"H
Small Oven Interior: 12"W x 20"D x 15"H
Top Burner Rating: 22,000 BTUs
Simmer Burner Rating: 9,000 BTUs
Raised Griddle/Broiler Burner Rating: 15,000 BTUs
Large Oven Burner Rating: 30,000 BTUs
Small Oven Rating: 15,000 BTUs
Infrared Broiler Rating: 15,000 BTUs
Electrical Requirements: 120V, 60Hz, 15 AMPS, 1 PH
(Unit must be on a Non-GFI, dedicated outlet)
Operating Gas Pressure: NAT: 5.0" WC, LP: 10.0" WC
Gas Line Size: 3/4"
Installation Clearance: 0" Side Cabinet, 0" Back Wall

MODEL CONFIGURATIONS

Six Burners with Griddle/Broiler RNB486GHCV2

DESIGN OPTIONS

- Range color, knob color, trim finish, and backguard options *(see page 4)*.

MODEL OPTIONS

- Casters
- Additional oven rack
- Full extension oven rack

60" RNB HERITAGE CLASSIC SERIES

FREESTANDING RANGES

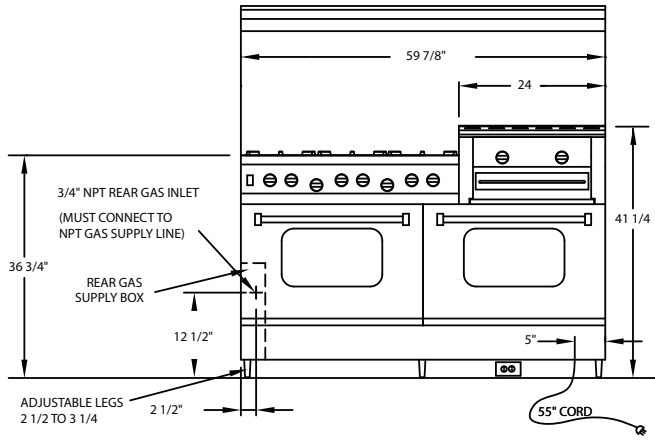
RANGETOPS

COOKTOPS

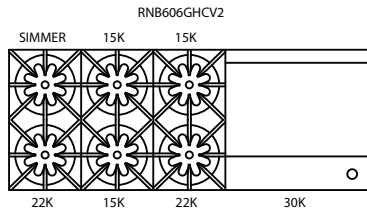
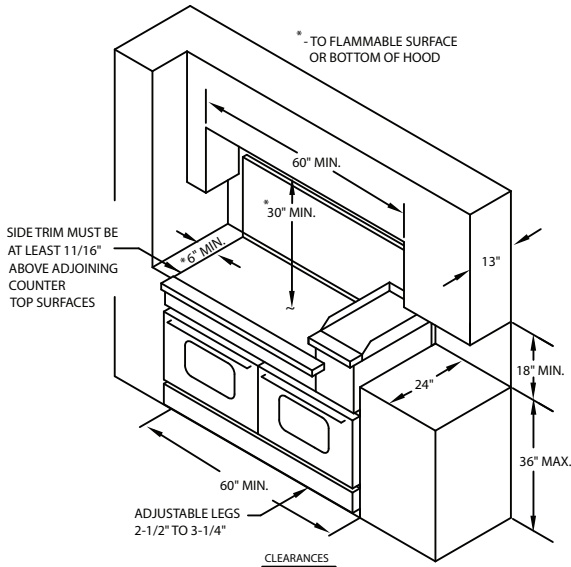
WALL OVENS

VENTILATION

REFRIGERATION



ELECTRICAL CORD LOCATED IN BACK OF UNIT
LOCATION OF ELECTRICAL OUTLET MUST NOT BE HIGHER THAN 3" FROM FLOOR IF LOCATED BEHIND THE UNIT OR CAN BE LOCATED IN AN ADJOINING CABINET.



PRODUCT FEATURES

- UltraNova™ power burner delivers 22,000 BTUs of intense heat
- Gentle 130° simmer burner
- Full motion grates
- Includes 24" raised griddle/broiler for melting and edge-browning
- Extra-large convection oven with 1850° Infrared broiler
- Accommodates full-size commercial 18" x 26" baking sheet
- Available in 750+ colors and finishes
- Available backguard options: 17" or 24"
- Raised griddle available only on right side

SPECIFICATIONS

Range Dimensions: 59.875"W x 24"D x 41.25"H

Oven Interior: 26.25"W x 20"D x 15"H

Top Burner Rating: 22,000 BTUs

Simmer Burner Rating: 9,000 BTUs

Raised Griddle/Broiler Burner Rating: 30,000 BTUs

Large Oven Burner Rating: 30,000 BTUs

Infrared Broiler Rating: 15,000 BTUs

Electrical Requirements: 120V, 60Hz, 15 AMPS, 1 PH

(Unit must be on a Non-GFI, dedicated outlet)

Operating Gas Pressure: NAT: 5.0" WC, LP: 10.0" WC

Gas Line Size: 3/4"

Installation Clearance: 0" Side Cabinet, 0" Back Wall

MODEL CONFIGURATIONS

**Six Burners
with Griddle/Broiler**

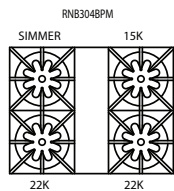
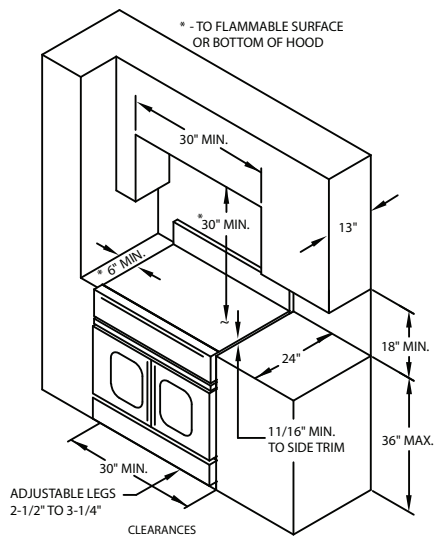
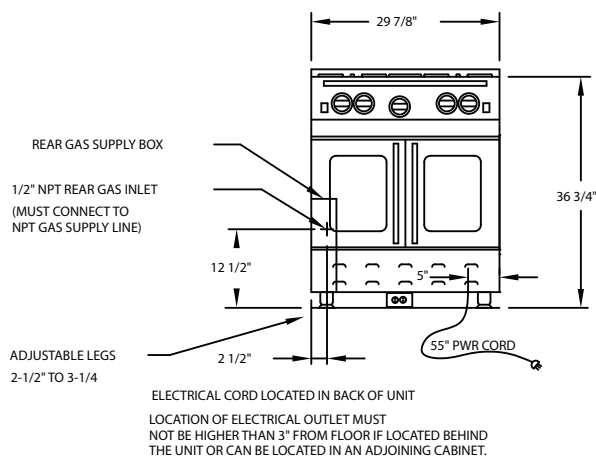
RNB606GHCV2

DESIGN OPTIONS

- Range color, knob color, trim finish, and backguard options *(see page 4)*.

MODEL OPTIONS

- Casters
- Additional oven rack
- Full extension oven rack



PRODUCT FEATURES

- UltraNova™ power burner delivers 22,000 BTUs of intense heat
- Gentle 130° simmer burner
- Integrated cooktop options include griddles, charbroilers & French tops
- Includes 12" raised griddle/broiler for melting and edge-browning
- 1850° Infrared broiler
- Contemporary, urban aesthetic with a sleek, modern feel
- Dependent French doors allow for easy loading/unloading
- Accommodates full-size commercial 18" x 26" baking sheet
- Available in 6 unique colors or 750+ standard options
- Colored knobs and trim to match the range color
- 24" depth for compatibility with standard kitchen cabinetry

SPECIFICATIONS

- Range Dimensions:** 29.875"W x 24"D x 36.75"H
- Large Oven Interior:** 26.25"W x 20"D x 15"H
- Top Burner Rating:** 22,000 BTUs
- Simmer Burner Rating:** 9,000 BTUs
- Large Oven Burner Rating:** 30,000 BTUs
- Infrared Broiler Rating:** 15,000 BTUs
- Electrical Requirements:** 120V, 60Hz, 15 AMPS, 1 PH (Unit must be on a Non-GFI, dedicated outlet)
- Operating Gas Pressure:** NAT: 5.0" WC, LP: 10.0" WC
- Gas Line Size:** 1/2"
- Installation Clearance:** 0" Side Cabinet, 0" Back Wall

MODEL CONFIGURATIONS

- Four Burners** RNB304BPM

DESIGN OPTIONS

- Range color, knob color, trim finish (see page 4).

MODEL OPTIONS

- Casters
- Additional oven rack
- Full extension oven rack

36" PRECIOUS METALS SERIES

FREESTANDING RANGES

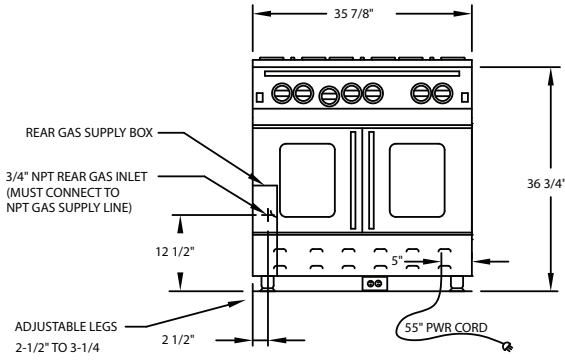
RANGETOPS

COOKTOPS

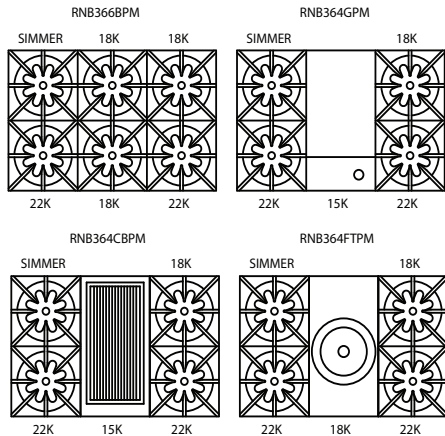
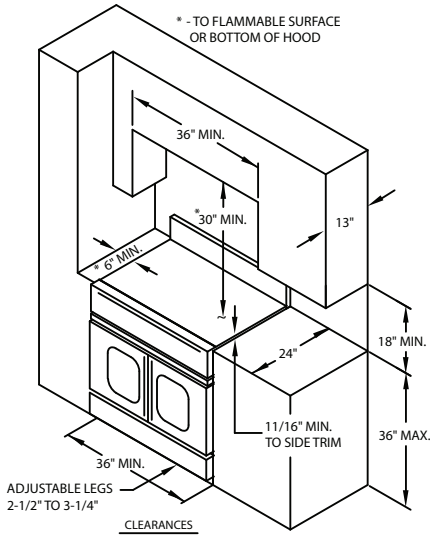
WALL OVENS

VENTILATION

REFRIGERATION



ELECTRICAL CORD LOCATED IN BACK OF UNIT
LOCATION OF ELECTRICAL OUTLET MUST NOT BE HIGHER THAN 3" FROM FLOOR IF LOCATED BEHIND THE UNIT OR CAN BE LOCATED IN AN ADJOINING CABINET.



PRODUCT FEATURES

- UltraNova™ power burner delivers 22,000 BTUs of intense heat
- Gentle 130° simmer burner
- Integrated cooktop options include griddles, charbroilers & French tops
- Includes 12" raised griddle/broiler for melting and edge-browning
- 1850° Infrared broiler
- Contemporary, urban aesthetic with a sleek, modern feel
- Dependent French doors allow for easy loading/unloading
- Accommodates full-size commercial 18" x 26" baking sheet
- Available in 6 unique colors or 750+ standard options
- Colored knobs and trim to match the range color
- 24" depth for compatibility with standard kitchen cabinetry

SPECIFICATIONS

Range Dimensions: 35.875"W x 24"D x 36.75"H
Large Oven Interior: 29"W x 20"D x 15"H
Top Burner Rating: 22,000 BTUs
Simmer Burner Rating: 9,000 BTUs
12" Griddle Burner Rating: 15,000 BTUs
12" Charbroiler Burner Rating: 15,000 BTUs
French Top Burner Rating: 18,000 BTUs
Large Oven Burner Rating: 30,000 BTUs
Infrared Broiler Rating: 15,000 BTUs
Electrical Requirements: 120V, 60Hz, 15 AMPS, 1 PH
(Unit must be on a Non-GFI, dedicated outlet)
Operating Gas Pressure: NAT: 5.0" WC, LP: 10.0" WC
Gas Line Size: 3/4"
Installation Clearance: 0" Side Cabinet, 0" Back Wall

MODEL CONFIGURATIONS

Six Burners	RNB366BPM
Four Burners with 12" Griddle	RNB364GPM
Four Burners with 12" Charbroiler	RNB364CBPM
Four Burners with French Top	RNB364FTPM

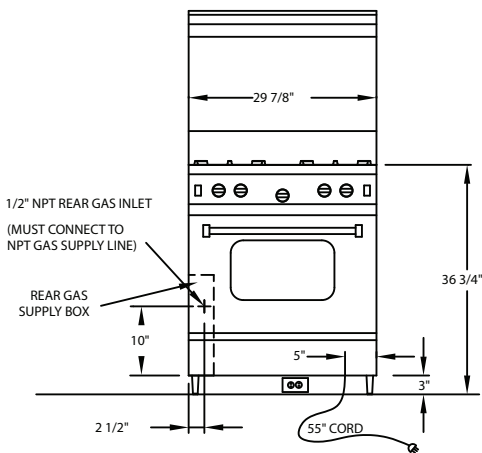
DESIGN OPTIONS

- Range color, knob color, trim finish *(see page 4)*.

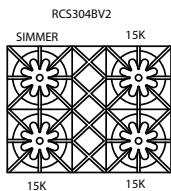
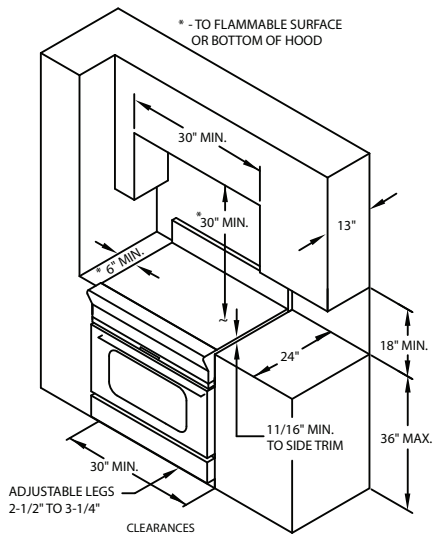
MODEL OPTIONS

- Casters
- Additional oven rack
- Full extension oven rack

30" RCS SERIES



ELECTRICAL CORD LOCATED IN BACK OF UNIT
 LOCATION OF ELECTRICAL OUTLET MUST NOT BE HIGHER THAN 3" FROM FLOOR IF LOCATED BEHIND THE UNIT OR CAN BE LOCATED IN AN ADJOINING CABINET.



PRODUCT FEATURES

- Nova™ power burner delivers 15,000 BTUs of intense heat
- Gentle 130° simmer burner
- Full motion grates
- Extra-large convection oven that accommodates a full size 18" x 26" commercial baking sheet
- 1850° Infrared broiler
- Available in stainless steel only
- Includes standard island trim backguard
- 24" depth for compatibility with standard kitchen cabinetry

SPECIFICATIONS

Range Dimensions: 29.875"W x 24"D x 36.75"H

Oven Interior: 26.25"W x 20"D x 15"H

Top Burner Rating: 15,000 BTUs

Simmer Burner Rating: 9,000 BTUs

Oven Burner Rating: 30,000 BTUs

Infrared Broiler Rating: 15,000 BTUs

Electrical Requirements: 120V, 60Hz, 15 AMPS, 1 PH
(Unit must be on a Non-GFI, dedicated outlet)

Operating Gas Pressure: NAT: 5.0" WC, LP: 10.0" WC
Gas Line Size: 1/2"

Installation Clearance: 0" Side Cabinet, 0" Back Wall

MODEL CONFIGURATIONS

Four Burners RCS304BV2

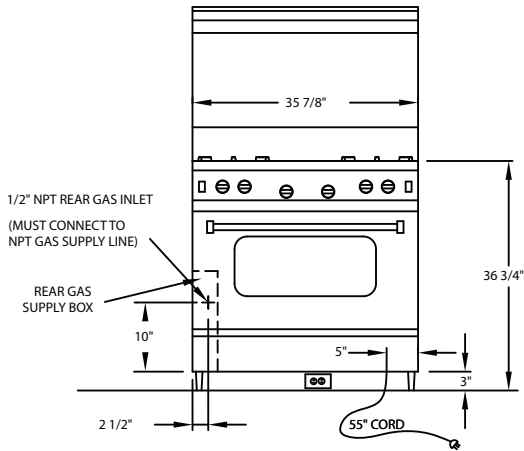
DESIGN OPTIONS

- Knob color and backguard options (*see page 4*).

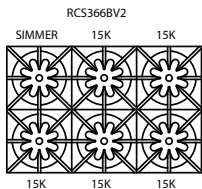
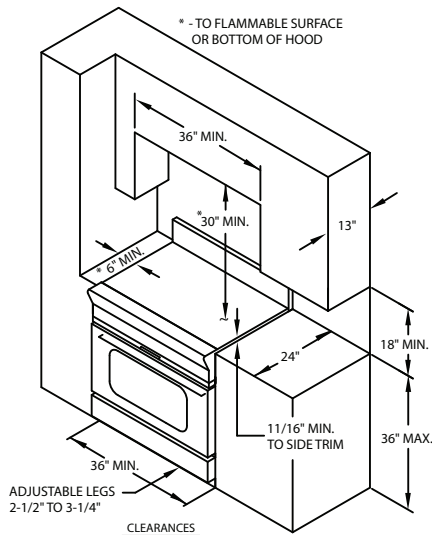
MODEL OPTIONS

- Casters
- Additional oven rack

36" RCS SERIES



ELECTRICAL CORD LOCATED IN BACK OF UNIT
LOCATION OF ELECTRICAL OUTLET MUST NOT BE HIGHER THAN 3" FROM FLOOR IF LOCATED BEHIND THE UNIT OR CAN BE LOCATED IN AN ADJOINING CABINET.



PRODUCT FEATURES

- Nova™ power burner delivers 15,000 BTUs of intense heat
- Gentle 130° simmer burner
- Full motion grates
- Extra-large convection oven that accommodates a full size 18" x 26" commercial baking sheet
- 1850° Infrared broiler
- Available in stainless steel only
- Includes standard island trim backguard
- 24" depth for compatibility with standard kitchen cabinetry

SPECIFICATIONS

Range Dimensions: 35.875"W x 24"D x 36.75"H

Oven Interior: 29"W x 20"D x 15"H

Top Burner Rating: 15,000 BTUs

Simmer Burner Rating: 9,000 BTUs

Oven Burner Rating: 30,000 BTUs

Infrared Broiler Rating: 15,000 BTUs

Electrical Requirements: 120V, 60Hz, 15 AMPS, 1 PH
(Unit must be on a Non-GFI, dedicated outlet)

Operating Gas Pressure: NAT: 5.0" WC, LP: 10.0" WC

Gas Line Size: 1/2"

Installation Clearance: 0" Side Cabinet, 0" Back Wall

MODEL CONFIGURATIONS

Six Burners

RCS366BV2

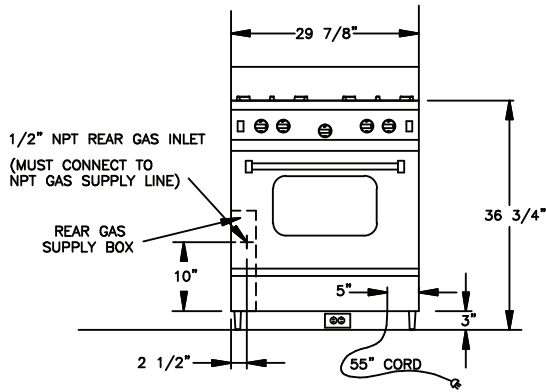
DESIGN OPTIONS

- Knob color and backguard options (see page 4).

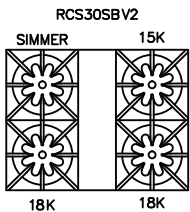
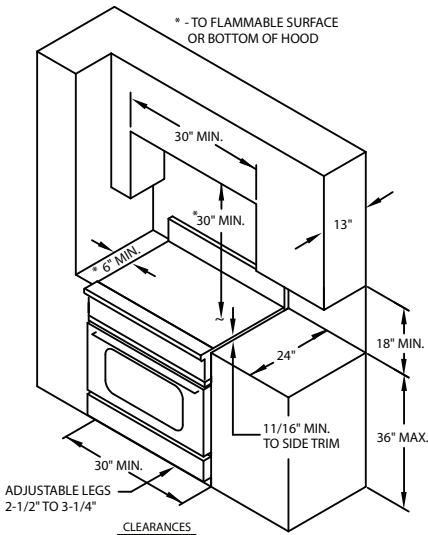
MODEL OPTIONS

- Casters
- Additional oven rack

30" SEALED BURNER SERIES



ELECTRICAL CORD LOCATED IN BACK OF UNIT
 LOCATION OF ELECTRICAL OUTLET MUST NOT BE HIGHER THAN 3" FROM FLOOR IF LOCATED BEHIND THE UNIT OR CAN BE LOCATED IN AN ADJOINING CABINET.



PRODUCT FEATURES

- Sealed burner design with up to 18,000 BTUs of power
- Precise simmer burner
- Extra-large convection oven with 1850° Infrared Broiler
- Accommodates full-size commercial 18" x 26" baking sheet
- 24" depth for compatibility with standard kitchen cabinetry
- Available in stainless steel only
- Includes standard island trim backguard

SPECIFICATIONS

Range Dimensions: 29.875"W x 24"D x 36.75"H
Oven Interior: 26.25"W x 20"D x 15"H
Top Burner Rating: 18,000 BTUs
Simmer Burner Rating: 6,000 BTUs
Oven Burner Rating: 30,000 BTUs
Infrared Broiler Rating: 15,000 BTUs
Electrical Requirements: 120V, 60Hz, 15 AMPS, 1 PH
(Unit must be on a Non-GFI, dedicated outlet)
Operating Gas Pressure: NAT: 5.0" WC, LP: 10.0" WC
Gas Line Size: 1/2"
Installation Clearance: 0" Side Cabinet, 0" Back Wall

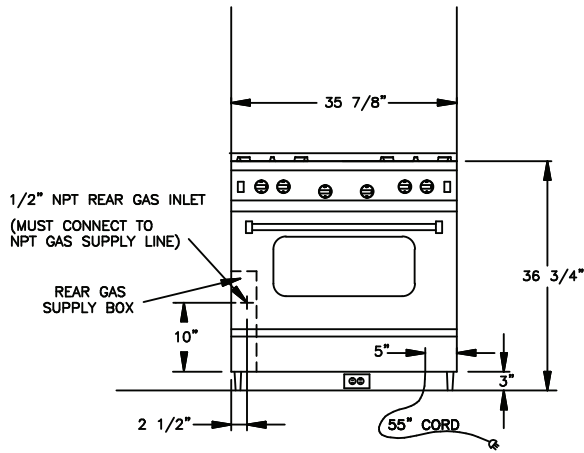
MODEL CONFIGURATIONS

Four Burners RCS30SBV2

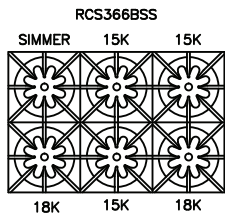
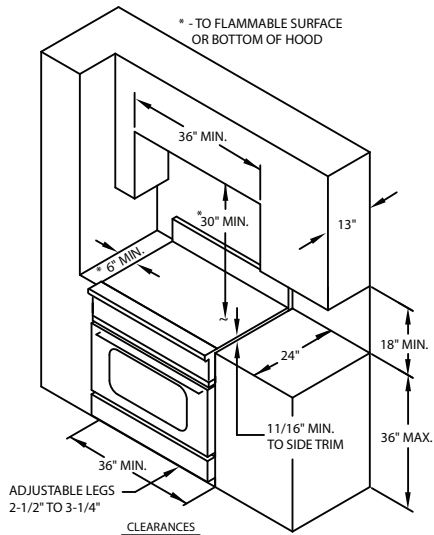
DESIGN OPTIONS

- Knob color and backguard options (see page 4).

36" SEALED BURNER SERIES



ELECTRICAL CORD LOCATED IN BACK OF UNIT
 LOCATION OF ELECTRICAL OUTLET MUST NOT BE HIGHER THAN 3" FROM FLOOR IF LOCATED BEHIND THE UNIT OR CAN BE LOCATED IN AN ADJOINING CABINET.



PRODUCT FEATURES

- Sealed burner design with up to 18,000 BTUs of power
- Precise simmer burner
- Extra-large convection oven with 1850° Infrared Broiler
- Accommodates full-size commercial 18" x 26" baking sheet
- 24" depth for compatibility with standard kitchen cabinetry
- Available in stainless steel only
- Includes standard island trim backguard

SPECIFICATIONS

Range Dimensions: 35.875"W x 24"D x 36.75"H
Oven Interior: 29"W x 20"D x 15"H
Top Burner Rating: 15,000 BTUs
Simmer Burner Rating: 6,000 BTUs
Oven Burner Rating: 30,000 BTUs
Infrared Burner Rating: 15,000 BTUs
Electrical Requirements: 120V, 60Hz, 15 AMPS, 1 PH (Unit must be on a Non-GFI, dedicated outlet)
Operating Gas Pressure: NAT: 5.0" WC, LP: 10.0" WC
Gas Line Size: 1/2"
Installation Clearance: 0" Side Cabinet, 0" Back Wall

MODEL CONFIGURATIONS

Six Burners RCS366BSS

DESIGN OPTIONS

- Knob color and backguard options (see page 4).





Rangetops

24" PLATINUM RANGETOP SERIES

FREESTANDING RANGES

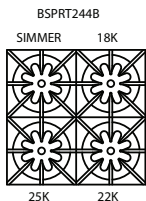
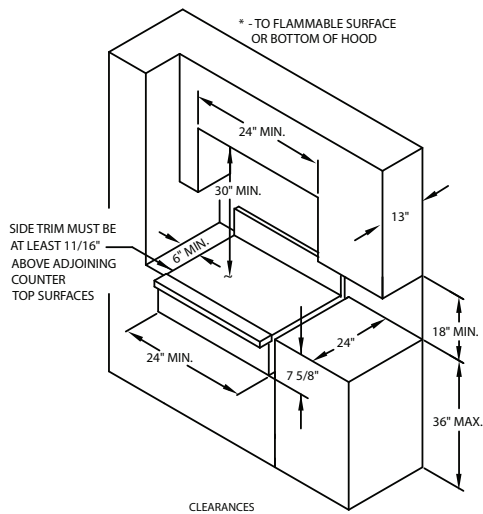
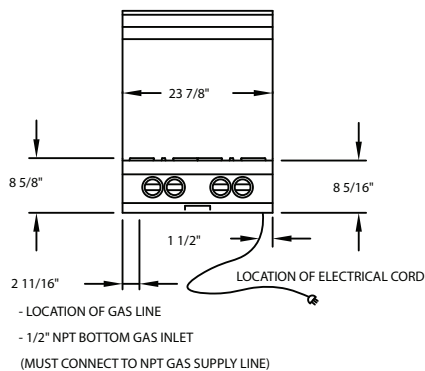
RANGETOPS

COOKTOPS

WALL OVENS

VENTILATION

REFRIGERATION



PRODUCT FEATURES

- 25,000 BTU PrimaNova™ burners
- All burners include Interchangeable Griddle Charbroiler
- Gentle 130° simmer burner
- Integrated wok cooking
- Full motion grates
- Enhanced design that is sleeker and more functional
- 24" depth for compatibility with standard kitchen cabinetry
- Removable, dishwasher-friendly stainless steel drip trays
- Includes standard island trim backguard

SPECIFICATIONS

Rangetop Dimensions: 23.875"W x 24"D x 8.625"H
Top Burner Rating: 25,000 BTUs
Simmer Burner Rating: 9,000 BTUs
Electrical Requirements: 120V, 60Hz, 15 AMPS, 1 PH
(Unit must be on a Non-GFI, dedicated outlet)
Operating Gas Pressure: NAT: 5.0" WC, LP: 10.0" WC
Gas Line Size: 1/2"
Installation Clearance: 0" Side Cabinet, 0" Back Wall

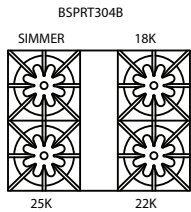
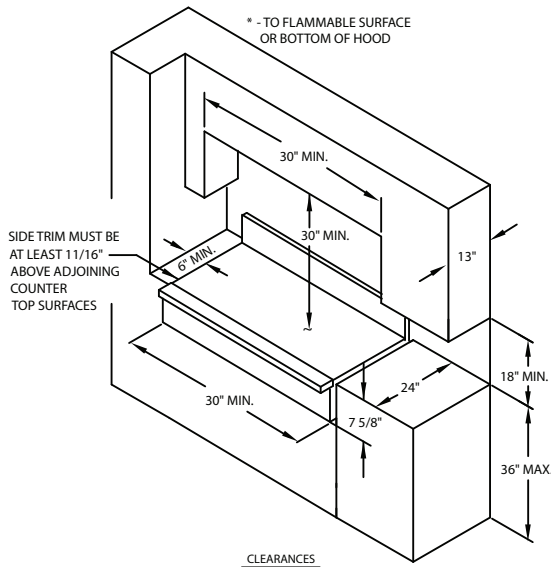
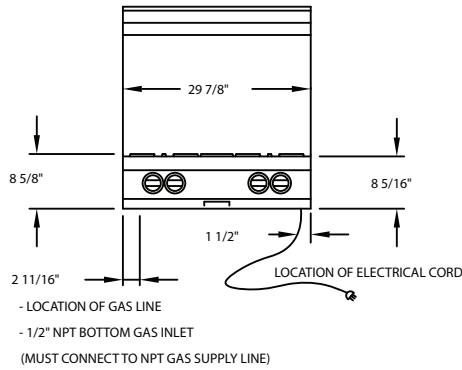
MODEL CONFIGURATIONS

Four Burners with Cast Iron Interchangeable Griddle/Charbroiler BSPRT244B

DESIGN OPTIONS

- Knob color, trim finish, and backguard options (see page 4).

30" PLATINUM RANGETOP SERIES



PRODUCT FEATURES

- 25,000 BTU PrimaNova™ burners
- All burners include Interchangeable Griddle Charbroiler
- Gentle 130° simmer burner
- Integrated wok cooking
- Full motion grates
- Enhanced design that is sleeker and more functional
- 24" depth for compatibility with standard kitchen cabinetry
- Removable, dishwasher-friendly stainless steel drip trays
- Includes standard island trim backguard

SPECIFICATIONS

Rangetop Dimensions: 29.875"W x 24"D x 8.625"H
Top Burner Rating: 25,000 BTUs
Simmer Burner Rating: 9,000 BTUs
Electrical Requirements: 120V, 60Hz, 15 AMPS, 1 PH
(Unit must be on a Non-GFI, dedicated outlet)
Operating Gas Pressure: NAT: 5.0" WC, LP: 10.0" WC
Gas Line Size: 1/2"
Installation Clearance: 0" Side Cabinet, 0" Back Wall

MODEL CONFIGURATIONS

Four Burners with Cast Iron Interchangeable Griddle/Charbroiler BSPT304B

DESIGN OPTIONS

- Knob color, trim finish, and backguard options (see page 4).

36" PLATINUM RANGETOP SERIES

FREESTANDING RANGES

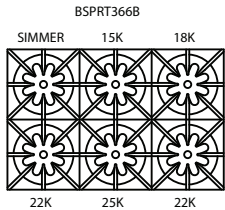
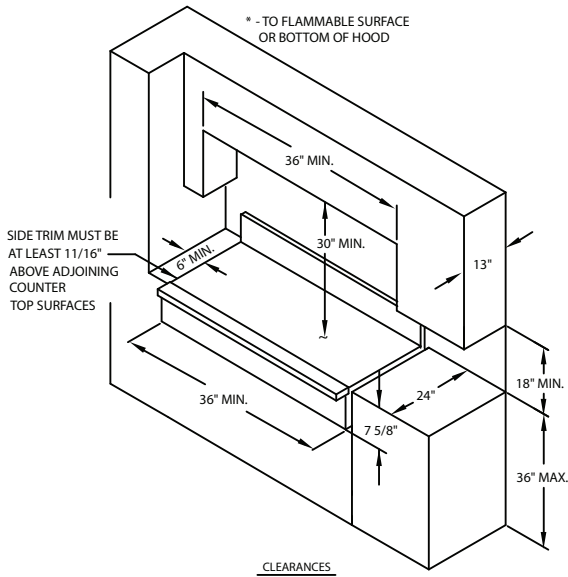
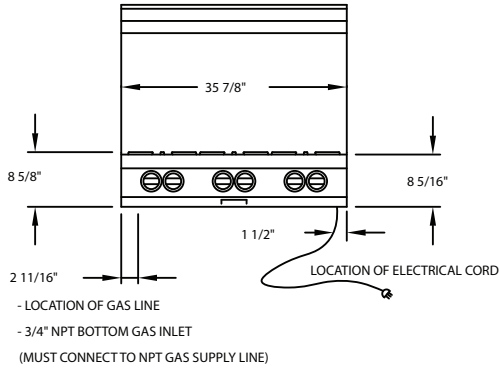
RANGETOPS

COOKTOPS

WALL OVENS

VENTILATION

REFRIGERATION



PRODUCT FEATURES

- 25,000 BTU PrimaNova™ burners
- All burners include Interchangeable Griddle Charbroiler
- Gentle 130° simmer burner
- Integrated wok cooking
- Full motion grates
- Enhanced design that is sleeker and more functional
- 24" depth for compatibility with standard kitchen cabinetry
- Removable, dishwasher-friendly stainless steel drip trays
- Includes standard island trim backguard

SPECIFICATIONS

Rangetop Dimensions: 35.875"W x 24"D x 8.625"H
Top Burner Rating: 25,000 BTUs
Simmer Burner Rating: 9,000 BTUs
Electrical Requirements: 120V, 60Hz, 15 AMPS, 1 PH
(Unit must be on a Non-GFI, dedicated outlet)
Operating Gas Pressure: NAT: 5.0" WC, LP: 10.0" WC
Gas Line Size: 1/2"
Installation Clearance: 0" Side Cabinet, 0" Back Wall

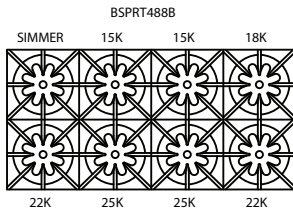
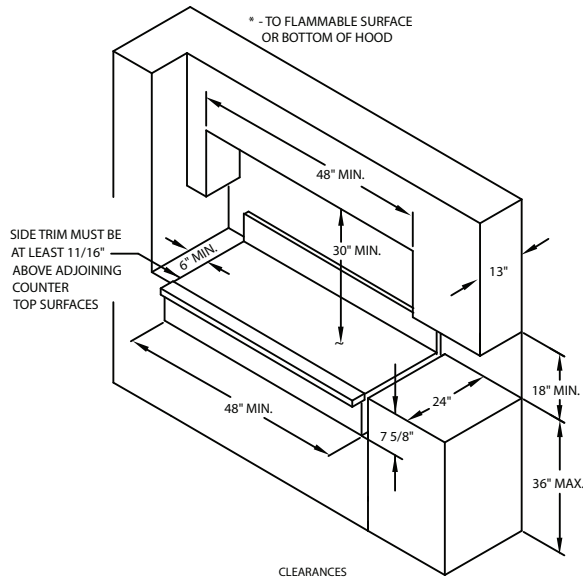
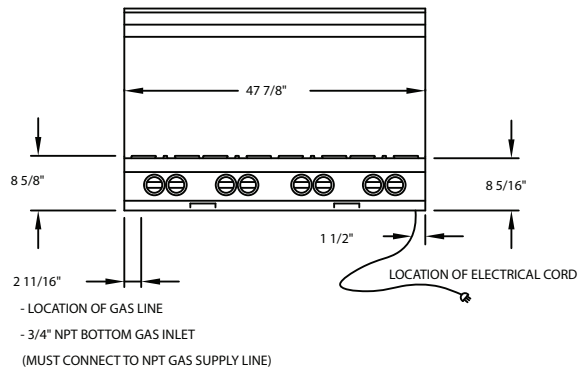
MODEL CONFIGURATIONS

Six Burners with Cast Iron BSPRT366B
Interchangeable Griddle/Charbroiler

DESIGN OPTIONS

- Knob color, trim finish, and backguard options
(see page 4).

48" PLATINUM RANGETOP SERIES



PRODUCT FEATURES

- 25,000 BTU PrimaNova™ burners
- All burners include Interchangeable Griddle Charbroiler
- Gentle 130° simmer burner
- Integrated wok cooking
- Full motion grates
- Enhanced design that is sleeker and more functional
- 24" depth for compatibility with standard kitchen cabinetry
- Removable, dishwasher-friendly stainless steel drip trays
- Includes standard island trim backguard

SPECIFICATIONS

Rangetop Dimensions: 47.875"W x 24"D x 8.625"H
Top Burner Rating: 25,000 BTUs
Simmer Burner Rating: 9,000 BTUs
Electrical Requirements: 120V, 60Hz, 15 AMPS, 1 PH
(Unit must be on a Non-GFI, dedicated outlet)
Operating Gas Pressure: NAT: 5.0" WC, LP: 10.0" WC
Gas Line Size: 3/4"
Installation Clearance: 0" Side Cabinet, 0" Back Wall

MODEL CONFIGURATIONS

Eight Burners with Cast Iron BSPRT488B
Interchangeable Griddle/Charbroiler

DESIGN OPTIONS

- Knob color, trim finish, and backguard options
(see page 4).

60" PLATINUM RANGETOP SERIES

FREESTANDING RANGES

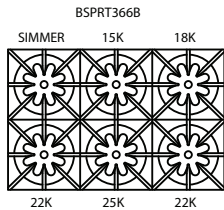
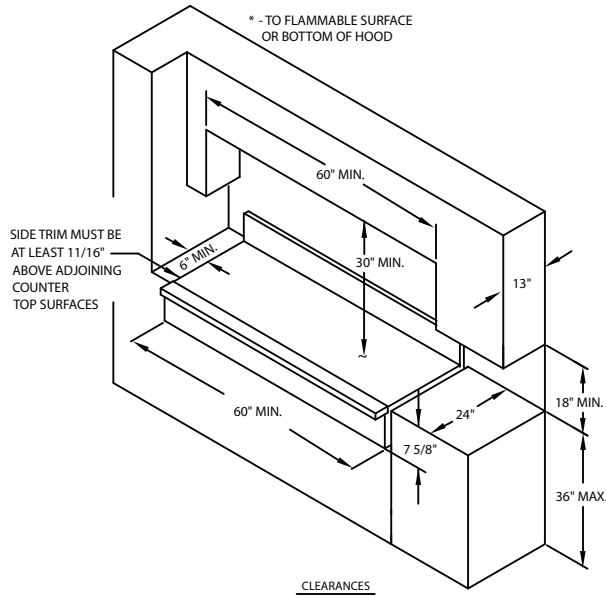
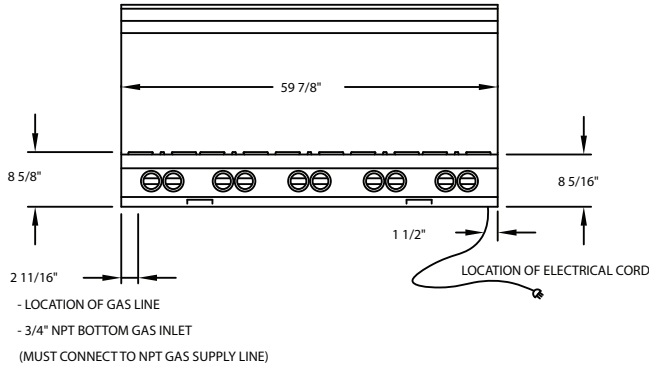
RANGETOPS

COOKTOPS

WALL OVENS

VENTILATION

REFRIGERATION



PRODUCT FEATURES

- 25,000 BTU PrimaNova™ burners
- All burners include Interchangeable Griddle Charbroiler
- Gentle 130° simmer burner
- Integrated wok cooking
- Full motion grates
- Enhanced design that is sleeker and more functional
- 24" depth for compatibility with standard kitchen cabinetry
- Removable, dishwasher-friendly stainless steel drip trays
- Includes standard island trim backguard

SPECIFICATIONS

Rangetop Dimensions: 59.875"W x 24"D x 8.625"H
Top Burner Rating: 25,000 BTUs
Simmer Burner Rating: 9,000 BTUs
Electrical Requirements: 120V, 60Hz, 15 AMPS, 1 PH
(Unit must be on a Non-GFI, dedicated outlet)
Operating Gas Pressure: NAT: 5.0" WC, LP: 10.0" WC
Gas Line Size: 3/4"
Installation Clearance: 0" Side Cabinet, 0" Back Wall

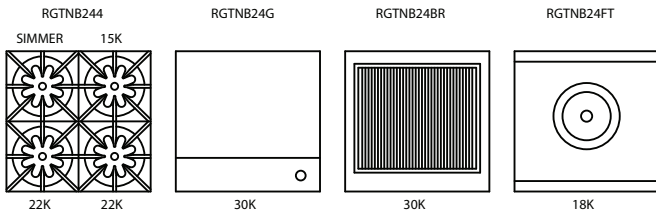
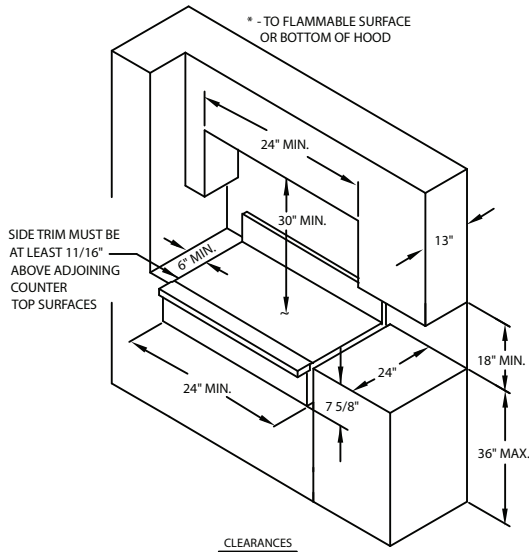
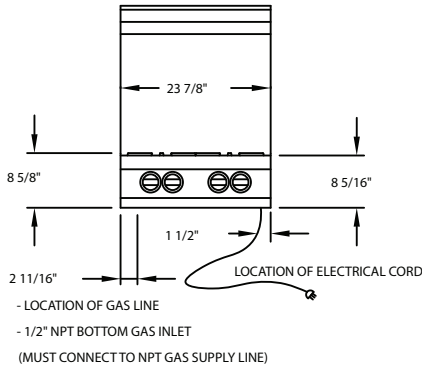
MODEL CONFIGURATIONS

Six Burners with Cast Iron Interchangeable Griddle/Charbroiler BSPRT6010B

DESIGN OPTIONS

- Knob color, trim finish, and backguard options
(see page 4).

24" RNB RANGETOP SERIES



PRODUCT FEATURES

- UltraNova™ power burner delivers 22,000 BTUs of intense heat
- Gentle 130° simmer burner
- Full motion grates
- 1850° Infrared broiler
- Removable, dishwasher-friendly stainless steel drip trays
- Refined design and easier-to-clean cooktop
- 24" depth for compatibility with standard kitchen cabinetry
- Includes standard island trim backguard

SPECIFICATIONS

Rangetop Dimensions: 23.875"W x 24"D x 8.625"H
Top Burner Rating: 22,000 BTUs
Simmer Burner Rating: 9,000 BTUs
Griddle Burner Rating: 30,000 BTUs
Charbroiler Burner Rating: 30,000 BTUs
French Top Burner Rating: 18,000 BTUs
Electrical Requirements: 120V, 60Hz, 15 AMPS, 1 PH
(Unit must be on a Non-GFI, dedicated outlet)
Operating Gas Pressure: NAT: 5.0" WC, LP: 10.0" WC
Gas Line Size: 1/2"
Installation Clearance: 0" Side Cabinet, 0" Back Wall

MODEL CONFIGURATIONS

Four Burners	RGTNB244
24" Griddle	RGTNB24G
24" Charbroiler	RGTNB24CB
French Top	RGTNB24FT

DESIGN OPTIONS

- Knob color, trim finish, and backguard options (see page 4).

MODEL OPTIONS

- Griddles, charbroilers, and French tops

30" RNB RANGETOP SERIES

FREESTANDING RANGES

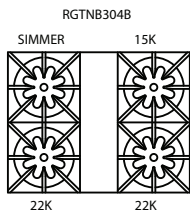
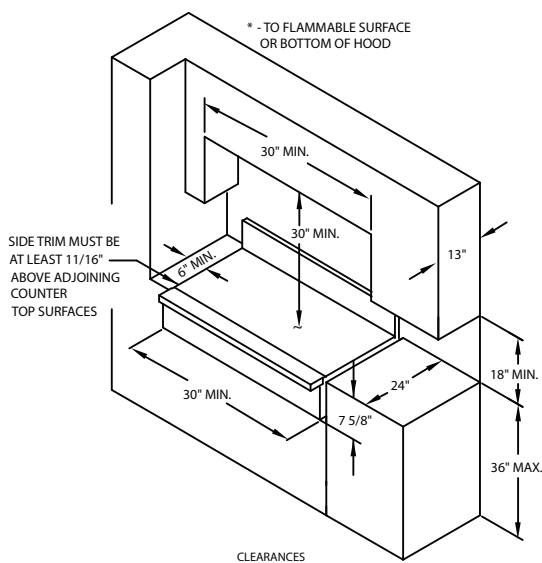
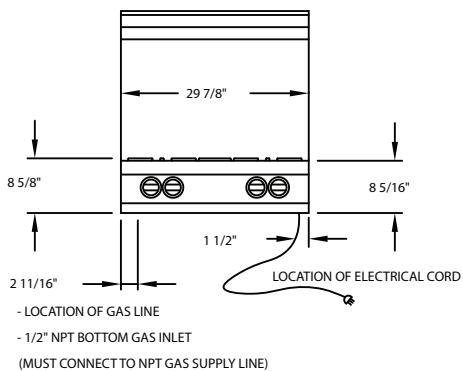
RANGETOPS

COOKTOPS

WALL OVENS

VENTILATION

REFRIGERATION



PRODUCT FEATURES

- UltraNova™ power burner delivers 22,000 BTUs of intense heat
- Gentle 130° simmer burner
- Integrated cooktop options include griddles, charbroilers, and French tops
- Full motion grates
- 1850° Infrared broiler
- Removable, dishwasher-friendly stainless steel drip trays
- Refined design and easier-to-clean cooktop
- 24" depth for compatibility with standard kitchen cabinetry
- Includes standard island trim backguard

SPECIFICATIONS

Range Dimensions: 29.875"W x 24"D x 8.625"H
Top Rating: 22,000 BTUs
Simmer Burner Rating: 9,000 BTUs
Electrical Requirements: 120V, 60Hz, 15 AMPS, 1 PH
(Unit must be on a Non-GFI, dedicated outlet)
Operating Gas Pressure: NAT: 5.0" WC, LP: 10.0" WC
Gas Line Size: 1/2"
Installation Clearance: 0" Side Cabinet, 0" Back Wall

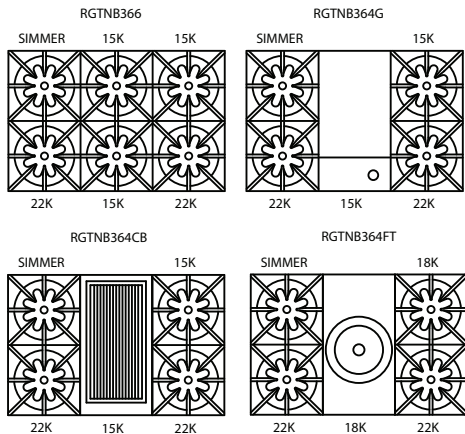
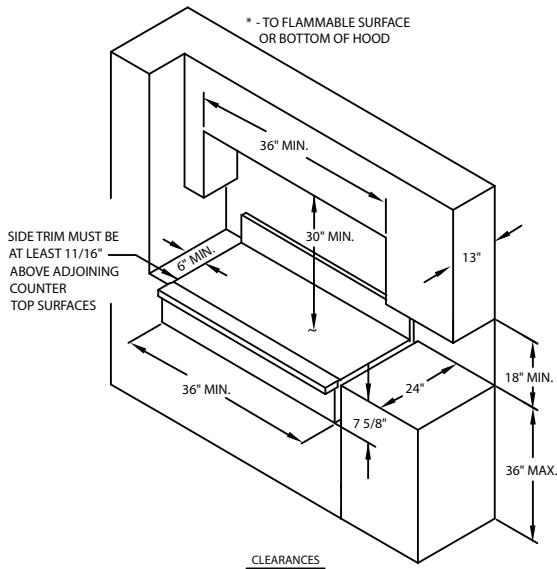
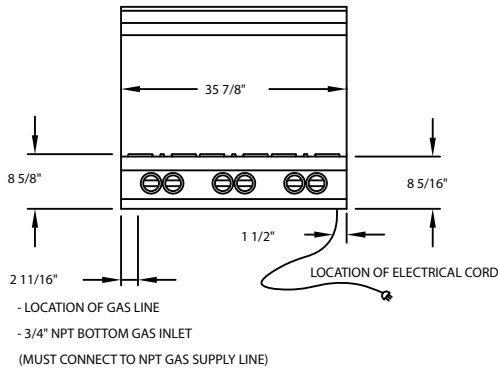
MODEL CONFIGURATIONS

Six Burners RGTNB304BSS

DESIGN OPTIONS

- Knob color, trim finish, and backguard options (see page 4).

36" RNB RANGETOP SERIES



PRODUCT FEATURES

- UltraNova™ power burner delivers 22,000 BTUs of intense heat
- Gentle 130° simmer burner
- Integrated cooktop options include griddles, charbroilers, and French tops
- Full motion grates
- 1850° Infrared broiler
- Removable, dishwasher-friendly stainless steel drip trays
- Refined design and easier-to-clean cooktop
- 24" depth for compatibility with standard kitchen cabinetry
- Includes standard island trim backguard

SPECIFICATIONS

Range Dimensions: 35.875"W x 24"D x 8.625"H
Top Burner Rating: 22,000 BTUs
Simmer Burner Rating: 9,000 BTUs
Griddle Burner Rating: 15,000 BTUs
Charbroiler Burner Rating: 15,000 BTUs
French Top Burner Rating: 18,000 BTUs
Electrical Requirements: 120V, 60Hz, 15 AMPS, 1 PH
(Unit must be on a Non-GFI, dedicated outlet)
Operating Gas Pressure: NAT: 5.0" WC, LP: 10.0" WC
Gas Line Size: 3/4"
Installation Clearance: 0" Side Cabinet, 0" Back Wall

MODEL CONFIGURATIONS

Six Burners	RGTNB366
Four Burners with 12" Griddle	RGTNB364G
Four Burners with 12" Charbroiler	RGNTB364CB

DESIGN OPTIONS

- Knob color, trim finish, and backguard options
(see page 4).

48" RNB RANGETOP SERIES

FREESTANDING RANGES

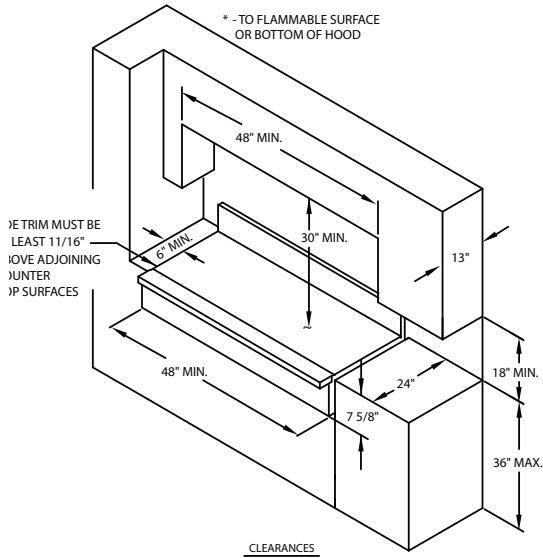
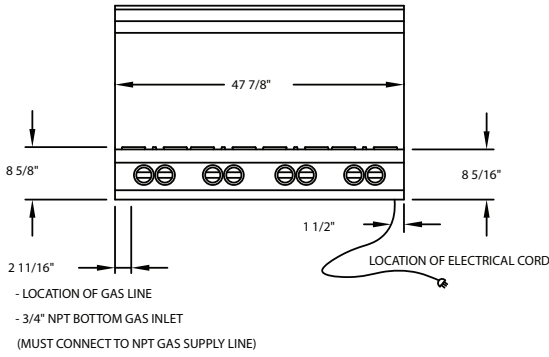
RANGETOPS

COOKTOPS

WALL OVENS

VENTILATION

REFRIGERATION



PRODUCT FEATURES

- UltraNova™ power burner delivers 22,000 BTUs of intense heat
- Gentle 130° simmer burner
- Integrated cooktop options include griddles, charbroilers, and French tops
- Full motion grates
- 1850° Infrared broiler
- Removable, dishwasher-friendly stainless steel drip trays
- Refined design and easier-to-clean cooktop
- 24" depth for compatibility with standard kitchen cabinetry
- Includes standard island trim backguard

SPECIFICATIONS

Range Dimensions: 47.875"W x 24"D x 8.625"H

Top Burner Rating: 22,000 BTUs

Simmer Burner Rating: 9,000 BTUs

12" Griddle Burner Rating: 15,000 BTUs

24" Griddle Burner Rating: 30,000 BTUs

12" Charbroiler Burner Rating: 15,000 BTUs

24" Charbroiler Burner Rating: 30,000 BTUs

French Top Burner Rating: 18,000 BTUs

Electrical Requirements: 120V, 60Hz, 15 AMPS, 1 PH
(Unit must be on a Non-GFI, dedicated outlet)

Operating Gas Pressure: NAT: 5.0" WC, LP: 10.0" WC

Gas Line Size: 3/4"

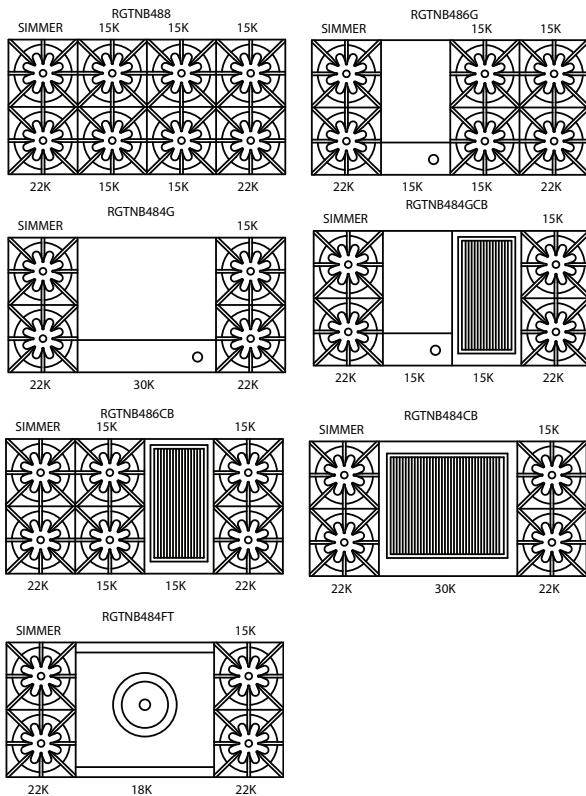
Installation Clearance: 0" Side Cabinet, 0" Back Wall

MODEL CONFIGURATIONS

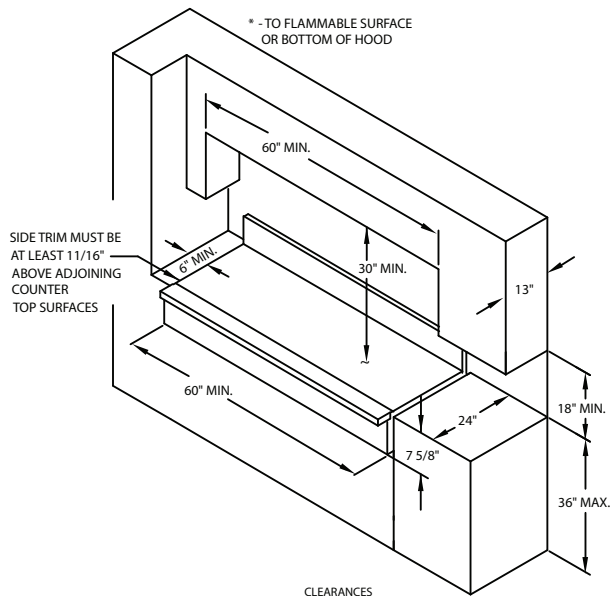
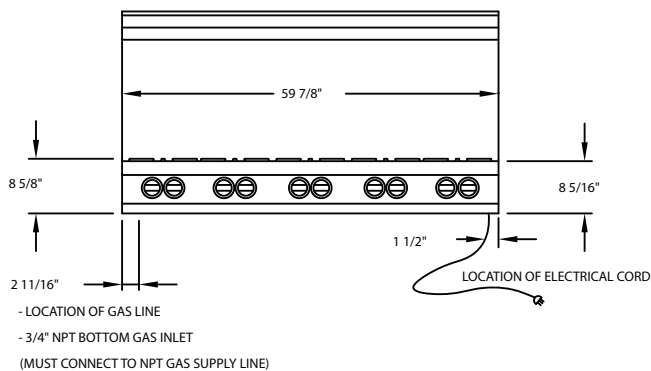
- | | |
|--|-------------|
| Eight Burners | RGTNB488 |
| Six Burners with 12" Griddle | RGTNB486G |
| Four Burners with 24" Griddle | RGTNB484G |
| Four Burners with 12" Griddle & Charbroiler | RGTNB484GCB |
| Six Burners with 12" Charbroiler | RGTNB486CB |
| Four Burners with 24" Charbroiler | RGTNB484CB |
| Four Burners with French Top | RGTNB484FT |

DESIGN OPTIONS

- Knob color, trim finish, and backguard options (see page 4).



60" RNB RANGETOP SERIES



PRODUCT FEATURES

- UltraNova™ power burner delivers 22,000 BTUs of intense heat
- Gentle 130° simmer burner
- Integrated cooktop options include griddles, charbroilers, and French tops
- Full motion grates
- 1850° Infrared broiler
- Removable, dishwasher-friendly stainless steel drip trays
- Refined design and easier-to-clean cooktop
- 24" depth for compatibility with standard kitchen cabinetry
- Includes standard island trim backguard

SPECIFICATIONS

Range Dimensions: 59.875"W x 24"D x 8.625"H

Top Burner Rating: 22,000 BTUs

Simmer Burner Rating: 9,000 BTUs

12" Griddle Burner Rating: 15,000 BTUs

24" Griddle Burner Rating: 30,000 BTUs

12" Charbroiler Burner Rating: 15,000 BTUs

24" Charbroiler Burner Rating: 30,000 BTUs

French Top Burner Rating: 18,000 BTUs

Electrical Requirements: 120V, 60Hz, 15 AMPS, 1 PH
(Unit must be on a Non-GFI, dedicated outlet)

Operating Gas Pressure: NAT: 5.0" WC, LP: 10.0" WC

Gas Line Size: 3/4"

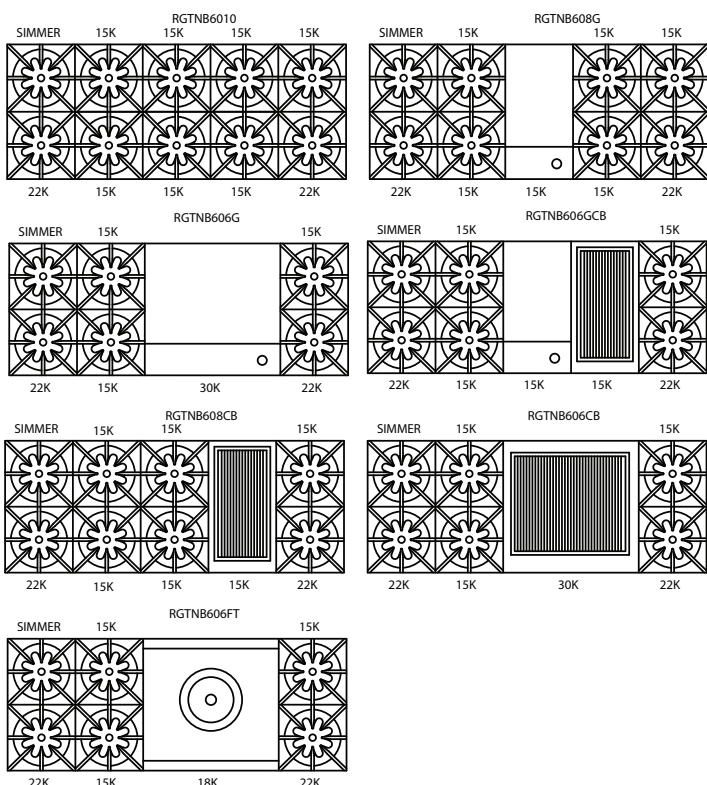
Installation Clearance: 0" Side Cabinet, 0" Back Wall

MODEL CONFIGURATIONS

Ten Burners	RGTNB6010
Eight Burners with 12" Griddle	RGTNB608G
Six Burners with 24" Griddle	RGTNB606G
Six Burners with 12" Griddle & Charbroiler	RGTNB606GCB
Eight Burners with 12" Charbroiler	RGTNB608CB
Six Burners with 24" Charbroiler	RGTNB606CB
Six Burners with French Top	RGTNB606FT

DESIGN OPTIONS

- Knob color, trim finish, and backguard options (see page 4).



36" HERITAGE CLASSIC RANGETOP

FREESTANDING RANGES

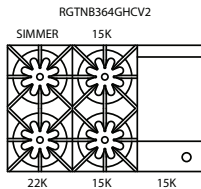
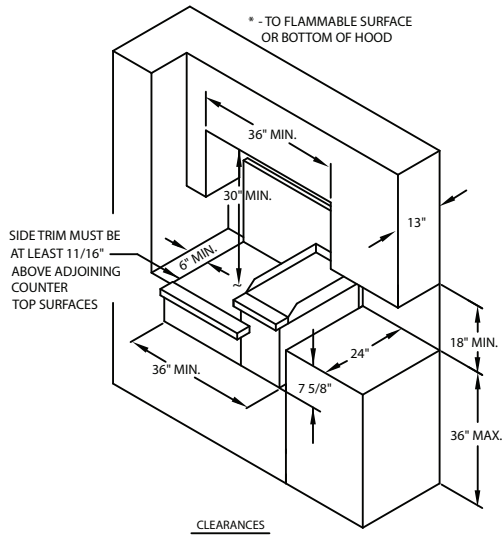
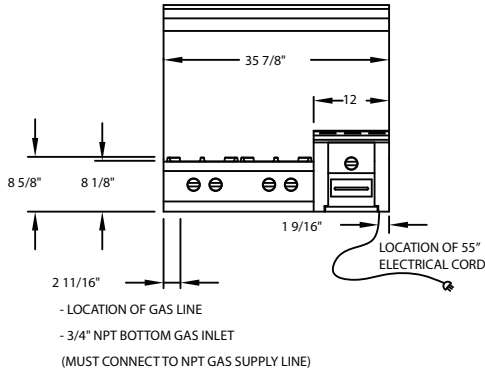
RANGETOPS

COOKTOPS

WALL OVENS

VENTILATION

REFRIGERATION



PRODUCT FEATURES

- 22,000 BTU UltraNova™ burners
- Gentle 130° simmer burner
- Full motion grates
- Includes 12" raised griddle/broiler for melting and edge-browning
- Full motion grates
- Removable, dishwasher friendly stainless steel drip trays
- Refined design and easier-to-clean cooktop
- 24" depth for compatibility with standard kitchen cabinetry
- Available backguard options: 17" or 24"
- Raised griddle available only on right side

SPECIFICATIONS

Rangecook Dimensions: 35.875"W x 27.25"D x 29.625"H
Top Burner Rating: 22,000 BTUs
Simmer Burner Rating: 9,000 BTUs
Raised Griddle/Broiler Burner Rating: 15,000 BTUs
Electrical Requirements: 120V, 60Hz, 15 AMPS, 1 PH
(Unit must be on a Non-GFI, dedicated outlet)
Operating Gas Pressure: NAT: 5.0" WC, LP: 10.0" WC
Gas Line Size: 3/4"
Installation Clearance: 0" Side Cabinet, 0" Back Wall

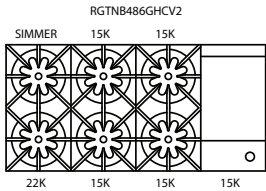
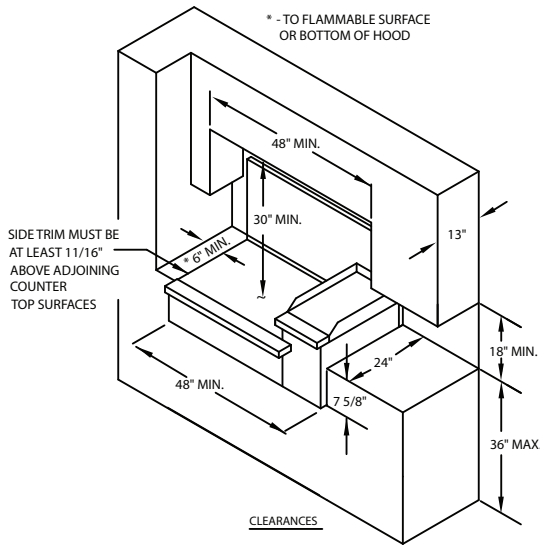
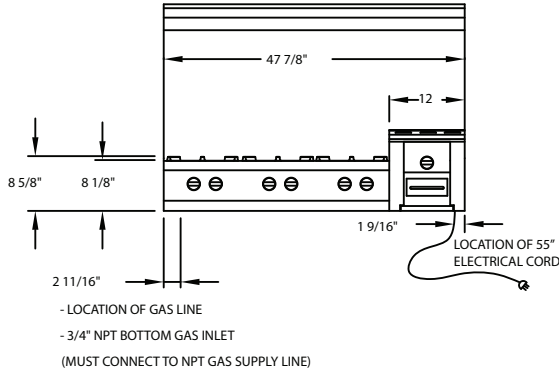
MODEL CONFIGURATIONS

Four Burners with Griddle/Broiler RGTNB364GHCV2

DESIGN OPTIONS

- Knob color, trim finish, and backguard options
(see page 4).

48" HERITAGE CLASSIC RANGETOP



PRODUCT FEATURES

- 22,000 BTU UltraNova™ burners
- Gentle 130° simmer burner
- Full motion grates
- Includes 12" raised griddle/broiler for melting and edge-browning
- Full motion grates
- Removable, dishwasher friendly stainless steel drip trays
- Refined design and easier-to-clean cooktop
- 24" depth for compatibility with standard kitchen cabinetry
- Available backguard options: 17" or 24"
- Raised griddle available only on right side

SPECIFICATIONS

Rangetop Dimensions: 47.875"W x 27.25"D x 29.625"H
Top Burner Rating: 22,000 BTUs
Simmer Burner Rating: 9,000 BTUs
Raised Griddle/Broiler Burner Rating: 15,000 BTUs
Electrical Requirements: 120V, 60Hz, 15 AMPS, 1 PH
(Unit must be on a Non-GFI, dedicated outlet)
Operating Gas Pressure: NAT: 5.0" WC, LP: 10.0" WC
Gas Line Size: 3/4"
Installation Clearance: 0" Side Cabinet, 0" Back Wall

MODEL CONFIGURATIONS

Six Burners with Griddle/Broiler RGTNB486GHCV2

DESIGN OPTIONS

- Knob color, trim finish, and backguard options (see page 4).

60" HERITAGE CLASSIC RANGETOP

FREESTANDING RANGES

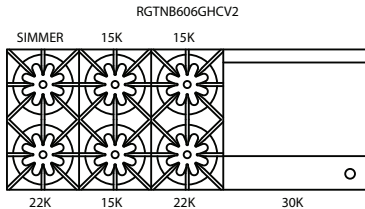
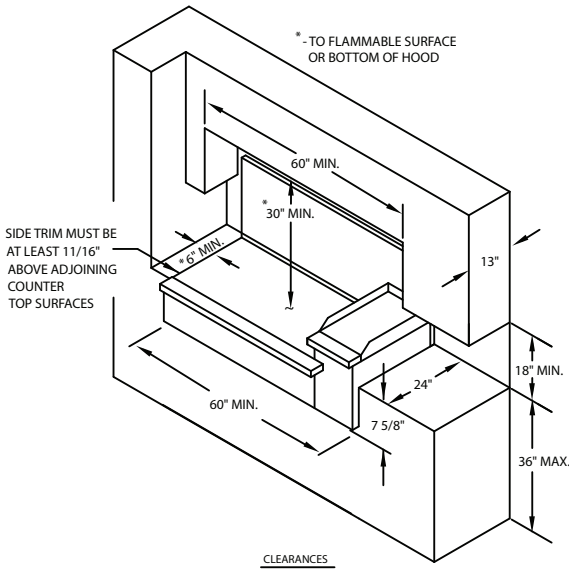
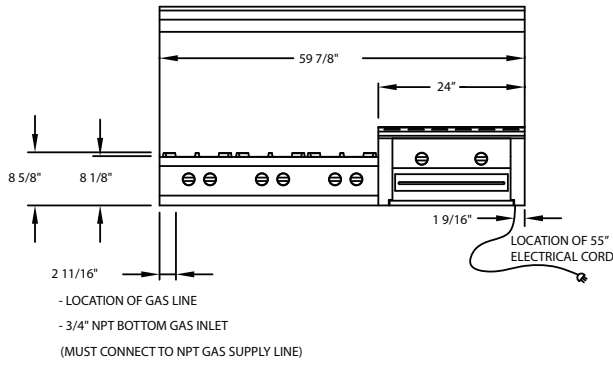
RANGETOPS

COOKTOPS

WALL OVENS

VENTILATION

REFRIGERATION



PRODUCT FEATURES

- 22,000 BTU UltraNova™ burners
- Gentle 130° simmer burner
- Full motion grates
- Includes 12" raised griddle/broiler for melting and edge-browning
- Full motion grates
- Removable, dishwasher friendly stainless steel drip trays
- Refined design and easier-to-clean cooktop
- 24" depth for compatibility with standard kitchen cabinetry
- Available backguard options: 17" or 24"
- Raised griddle available only on right side

SPECIFICATIONS

Rangecook Dimensions: 59.875"W x 27.25"D x 29.625"H
Top Burner Rating: 22,000 BTUs
Simmer Burner Rating: 9,000 BTUs
Raised Griddle/Broiler Burner Rating: 30,000 BTUs
Electrical Requirements: 120V, 60Hz, 15 AMPS, 1 PH (Unit must be on a Non-GFI, dedicated outlet)
Operating Gas Pressure: NAT: 5.0" WC, LP: 10.0" WC
Gas Line Size: 3/4"
Installation Clearance: 0" Side Cabinet, 0" Back Wall

MODEL CONFIGURATIONS

Six Burners with Griddle/Broiler RGTNB606GHCV2

DESIGN OPTIONS

- Knob color, trim finish, and backguard options (see page 4).



OFF
LOW
○○○●

OFF
LOW
○○○●

OFF
LOW
○○○●

OFF
LOW
○○○●

OFF
LOW
○○○●

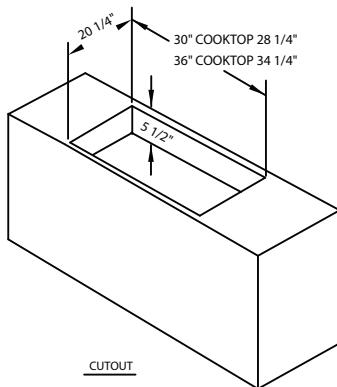
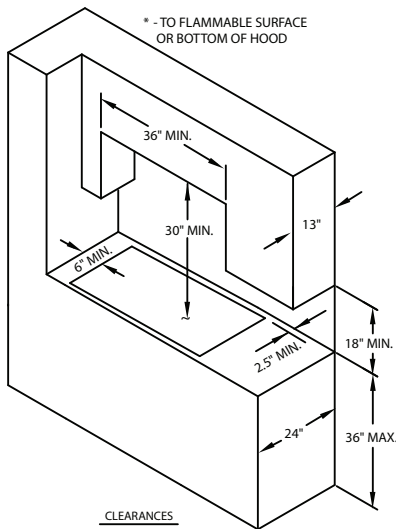
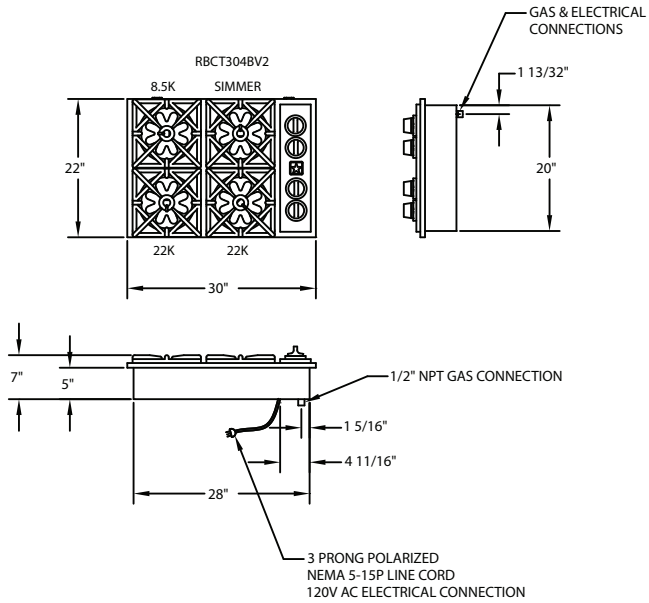


BLUESTAR



Cooktops

30" COOKTOP



PRODUCT FEATURES

- UltraNova™ power burner delivers 22,000 BTUs of intense heat
- Gentle 130° simmer burner
- Full motion grates
- Streamlined design
- Stainless steel knobs and available customization
- Enhanced compatibility with BlueStar Electric Wall Oven
- Easier to clean

SPECIFICATIONS

Cooktop Dimensions: 30"W x 22"D x 5"H

Top Burner Rating: 22,000 BTU

Simmer Burner Rating: 9,000 BTU

Electrical Requirements: 120V, 60Hz, 15 AMPS, 1 PH
(Unit must be on a Non-GFI, dedicated outlet)

Operating Gas Pressure: NAT: 5.0" WC, LP: 10.0" WC

Gas Line Size: 1/2"

MODEL CONFIGURATIONS

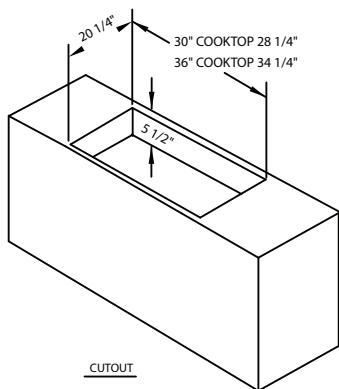
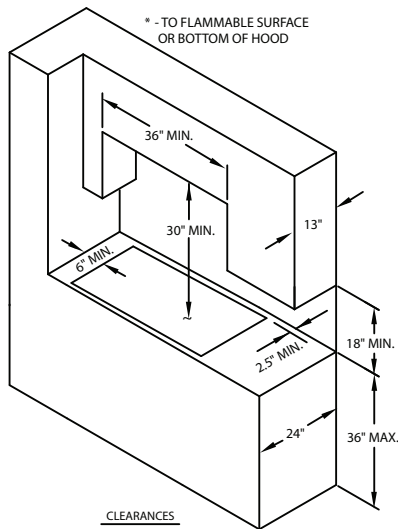
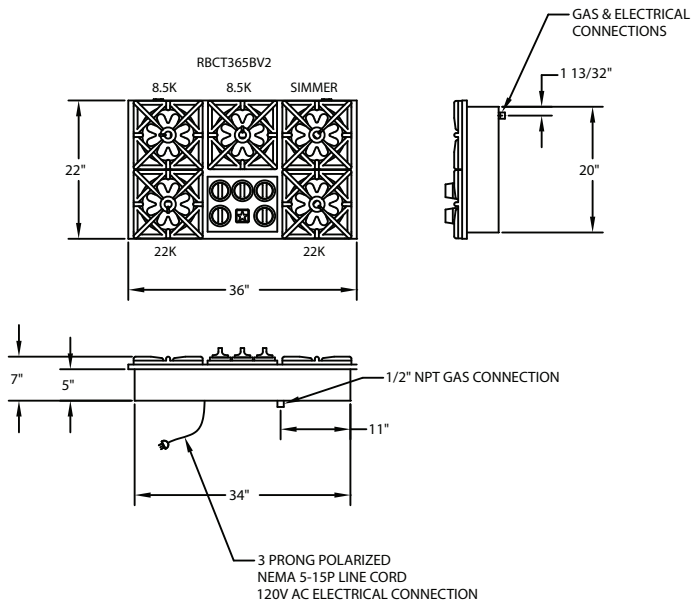
Four Burners

RBCT304BV2

DESIGN OPTIONS

- Knob color (see page 4).

36" COOKTOP



PRODUCT FEATURES

- UltraNova™ power burner delivers 22,000 BTUs of intense heat
- Gentle 130° simmer burner
- Full motion grates
- Streamlined design
- Stainless steel knobs and available customization
- Enhanced compatibility with BlueStar Electric Wall Oven
- Easier to clean

SPECIFICATIONS

Cooktop Dimensions: 36"W x 22"D x 5"H

Top Burner Rating: 22,000 BTU

Simmer Burner Rating: 9,000 BTU

Electrical Requirements: 120V, 60Hz, 15 AMPS, 1 PH
(Unit must be on a Non-GFI, dedicated outlet)

Operating Gas Pressure: NAT: 5.0" WC, LP: 10.0" WC
Gas Line Size: 1/2"

MODEL CONFIGURATIONS

Five Burners

RBCT365BV2

DESIGN OPTIONS

- Knob color (see page 4).

Notes

FREESTANDING RANGES

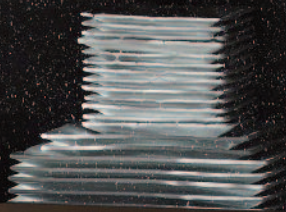
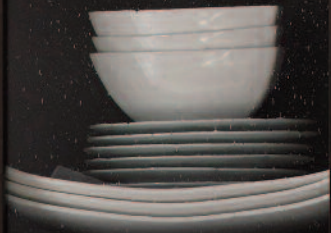
RANGETOPS

COOKTOPS

WALL OVENS

VENTILATION

REFRIGERATION





Wall Ovens

24" SINGLE GAS WALL OVEN

FREESTANDING RANGES

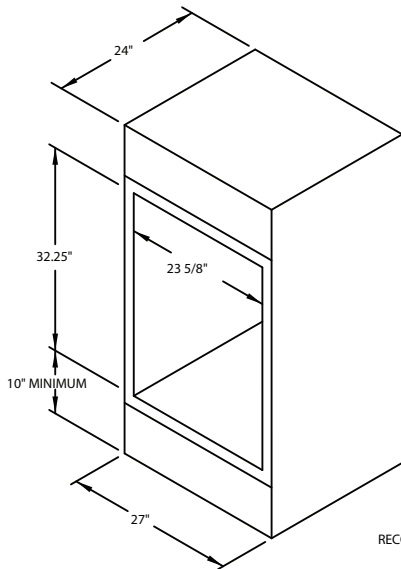
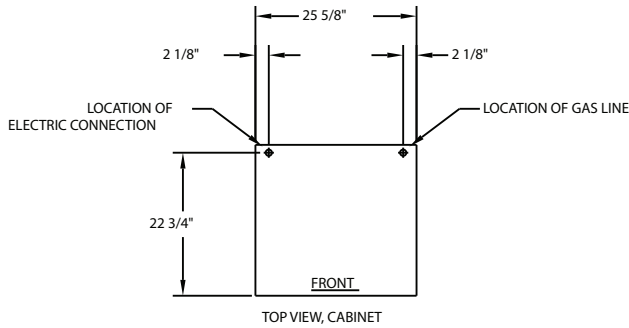
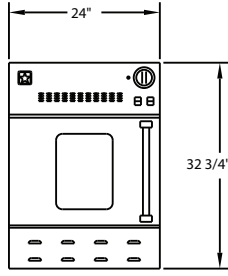
RANGETOPS

COOKTOPS

WALL OVENS

VENTILATION

REFRIGERATION



RECOMMENDED CABINET WIDTH FOR 24" OVEN IS 27"

CLEARANCES

PRODUCT FEATURES

- Powerful 25,000 BTU oven burner with 3,000 BTU heat assist for quick start-ups
- Extra-large convection oven with True European Convection and 1850° Infrared broiler
- Largest oven capacity available on a 24" wall oven
- Accommodates half-size commercial 18" x 13" baking sheet
- Coved corners for optimal heat circulation and easier cleaning
- High visibility dual halogen oven lights
- Features swing door design
- Available in 750+ colors and finishes
- Available in both single or double versions

SPECIFICATIONS

Single Oven Dimensions: 24"W x 23"D x 32.75"H

Oven Interior: 20.25"W x 20"D x 15"H

Oven Burner Rating: 25,000 BTUs

Infrared Broiler Rating: 15,000 BTUs

Oven Heat Assist Element: 3,000 BTUs

Single Oven Electrical Requirements:

120V, 60Hz, 15 AMPS, 1 PH

(Unit must be on a Non-GFI, dedicated outlet)

Operating Gas Pressure: NAT: 5.0" WC, LP: 10.0" WC

Gas Line Size: 1/2"

MODEL CONFIGURATIONS

Single Gas Wall Oven

BWO24AGS

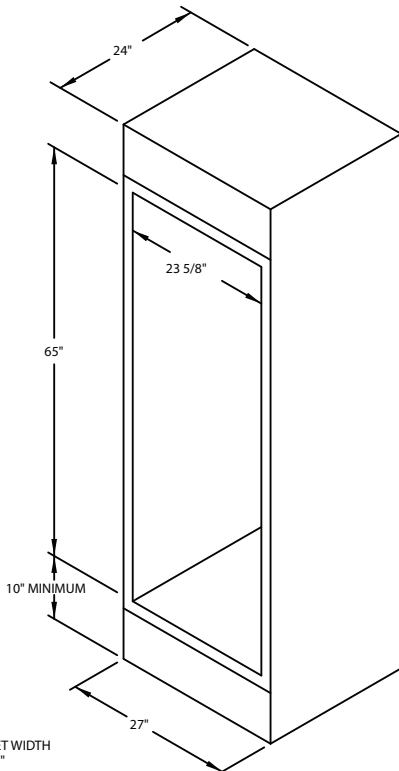
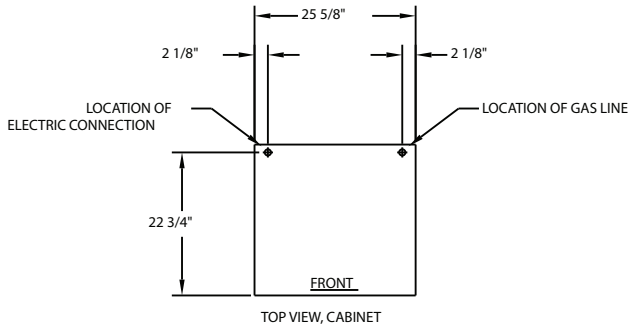
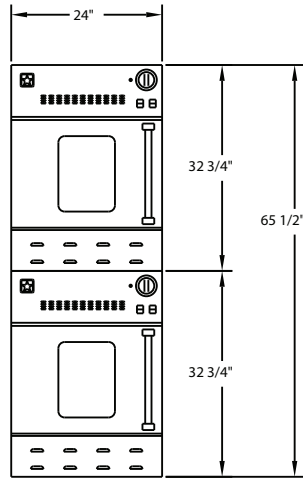
DESIGN OPTIONS

- Oven color, knob color, trim finish, door swing options (see page 4).

MODEL OPTIONS

- Left or right swing door
- Additional oven rack
- Full extension oven rack

24" STACKED GAS WALL OVEN



RECOMMENDED CABINET WIDTH FOR 24" OVEN IS 27"

CLEARANCES

PRODUCT FEATURES

- Powerful 25,000 BTU oven burner with 3,000 BTU heat assist for quick start-ups
- Extra-large convection oven with True European Convection and 1850° Infrared broiler
- Largest oven capacity available on a 24" wall oven
- Accommodates half-size commercial 18" x 13" baking sheet
- Coved corners for optimal heat circulation and easier cleaning
- High visibility dual halogen oven lights
- Features swing door design
- Available in 750+ colors and finishes
- Available in both single or double versions

SPECIFICATIONS

Double Oven Dimensions: 24"W x 23"D x 65.5"H
Oven Interior: 20.25"W x 20"D x 15"H
Oven Burner Rating: 25,000 BTUs
Infrared Broiler Rating: 15,000 BTUs
Oven Heat Assist Element: 3,000 BTUs
Double Oven Electrical Requirements: 120V, 60Hz, 20 AMPS, 1 PH
(Unit must be on a Non-GFI, dedicated outlet)
Operating Gas Pressure: NAT: 5.0" WC, LP: 10.0" WC
Gas Line Size: 1/2"

MODEL CONFIGURATIONS

Double Gas Wall Oven BWO24AGS

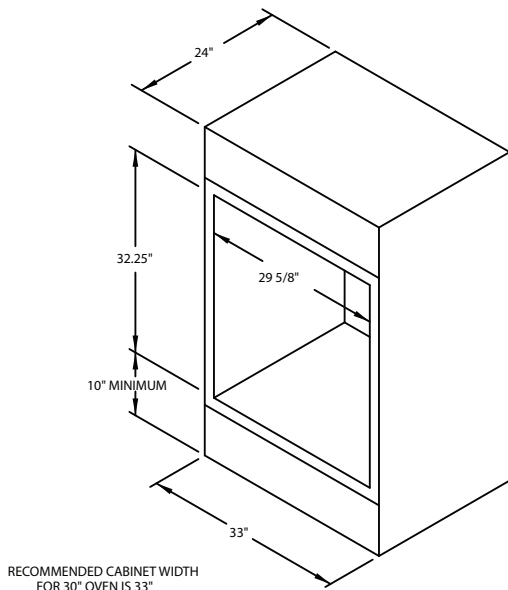
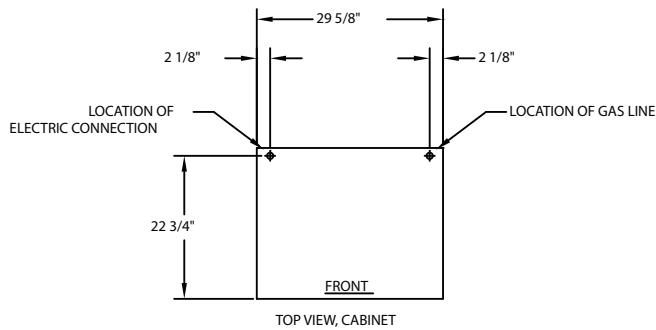
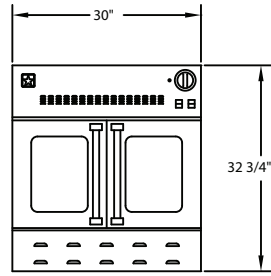
DESIGN OPTIONS

- Oven color, knob color, trim finish, door swing options (*see page 4*).

MODEL OPTIONS

- Left or right swing door
- Additional oven rack
- Full extension oven rack

30" SINGLE GAS WALL OVEN



CLEARANCES

PRODUCT FEATURES

- Powerful 25,000 BTU oven burner with 3,000 BTU heat assist for quick start-ups
- Extra-large convection oven with True European Convection and 1850° Infrared broiler
- Largest oven capacity available on a 30" wall oven
- Accommodates full-size commercial 18" x 26" baking sheet
- Coved corners for optimal heat circulation and easier cleaning
- High visibility dual halogen oven lights
- Features swing door design
- Available in 750+ colors and finishes
- Available in both single or double versions

SPECIFICATIONS

Single Oven Dimensions: 30"W x 26"D x 32.75"H

Oven Interior: 26.25"W x 20"D x 15"H

Oven Burner Rating: 25,000 BTUs

Infrared Broiler Rating: 15,000 BTUs

Oven Heat Assist Element: 3,000 BTUs

Single Oven Electrical Requirements:

120V, 60Hz, 15 AMPS, 1 PH

(Unit must be on a Non-GFI, dedicated outlet)

Operating Gas Pressure: NAT: 5.0" WC, LP: 10.0" WC

Gas Line Size: 1/2"

MODEL CONFIGURATIONS

Single Gas Wall Oven

BWO30AGS

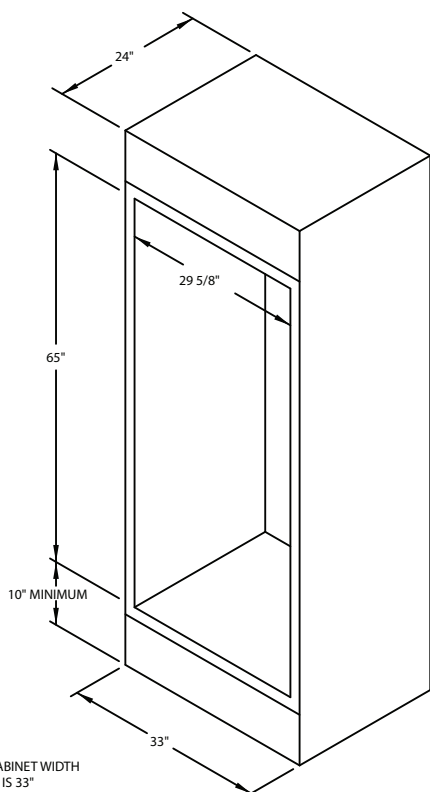
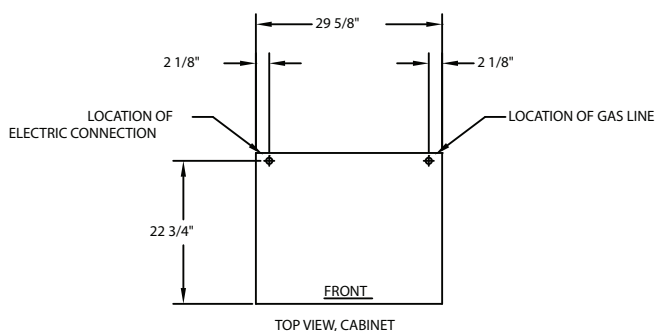
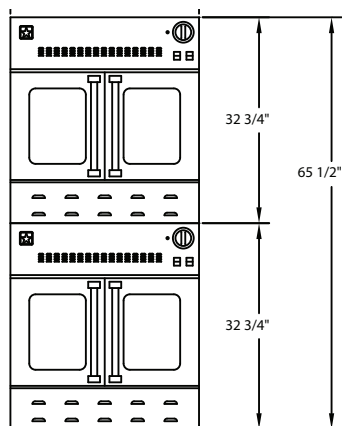
DESIGN OPTIONS

- Oven color, knob color, trim finish (*see page 4*).

MODEL OPTIONS

- Additional oven rack
- Full extension oven rack

30" STACKED GAS WALL OVEN



RECOMMENDED CABINET WIDTH FOR 30" OVEN IS 33"

CLEARANCES

PRODUCT FEATURES

- Powerful 25,000 BTU oven burner with 3,000 BTU heat assist for quick start-ups
- Extra-large convection oven with True European Convection and 1850° Infrared broiler
- Largest oven capacity available on a 30" wall oven
- Accommodates full-size commercial 18" x 26" baking sheet
- Coved corners for optimal heat circulation and easier cleaning
- High visibility dual halogen oven lights
- Features French door design
- Available in 750+ colors and finishes
- Available in both single or double versions

SPECIFICATIONS

Double Oven Dimensions: 30"W x 26"D x 65.5"H

Oven Interior: 26.25"W x 20"D x 15"H

Oven Burner Rating: 25,000 BTUs

Infrared Broiler Rating: 15,000 BTUs

Oven Heat Assist Element: 3,000 BTUs

Double Oven Electrical Requirements:

120V, 60Hz, 20 AMPS, 1 PH

(Unit must be on a Non-GFI, dedicated outlet)

Operating Gas Pressure: NAT: 5.0" WC, LP: 10.0" WC

Gas Line Size: 1/2"

MODEL CONFIGURATIONS

Double Gas Wall Oven

BWO30AGS

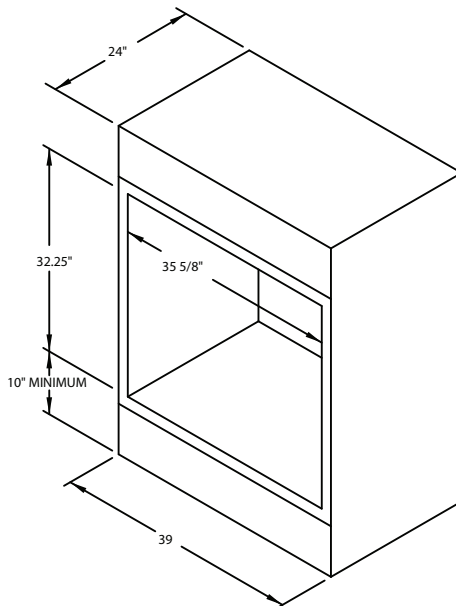
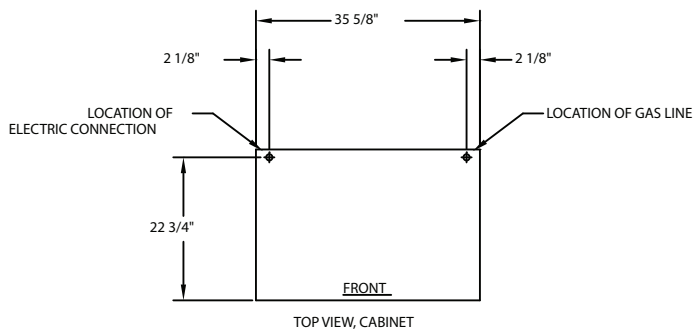
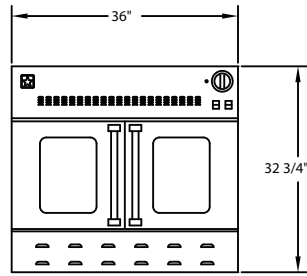
DESIGN OPTIONS

- Oven color, knob color, trim finish *(see page 4)*.

MODEL OPTIONS

- Additional oven rack
- Full extension oven rack

36" SINGLE GAS WALL OVEN



RECOMMENDED CABINET WIDTH
FOR 36" OVEN IS 39"

CLEARANCES

PRODUCT FEATURES

- Powerful 25,000 BTU oven burner with 3,000 BTU heat assist for quick start-ups
- Extra-large convection oven with True European Convection and 1850° Infrared broiler
- Largest oven capacity available on a 36" wall oven
- Accommodates full-size commercial 18" x 26" baking sheet
- Coved corners for optimal heat circulation and easier cleaning
- High visibility dual halogen oven lights
- Features French door design
- Available in 750+ colors and finishes
- Available in both single or double versions

SPECIFICATIONS

Single Oven Dimensions: 36"W x 26"D x 32.75"H

Oven Interior: 29"W x 20"D x 15"H

Oven Burner Rating: 25,000 BTUs

Infrared Broiler Rating: 15,000 BTUs

Oven Heat Assist Element: 3,000 BTUs

Single Oven Electrical Requirements:

120V, 60Hz, 15 AMPS, 1 PH

(Unit must be on a Non-GFI, dedicated outlet)

Operating Gas Pressure: NAT: 5.0" WC, LP: 10.0" WC

Gas Line Size: 1/2"

MODEL CONFIGURATIONS

Single Gas Wall Oven

BWO36AGS

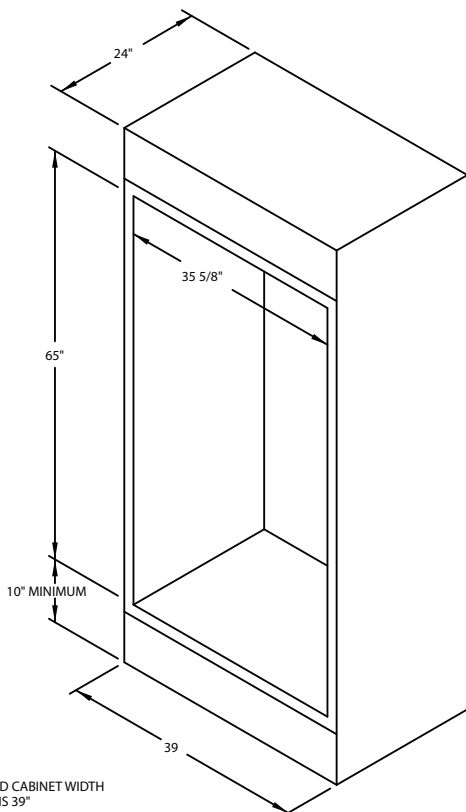
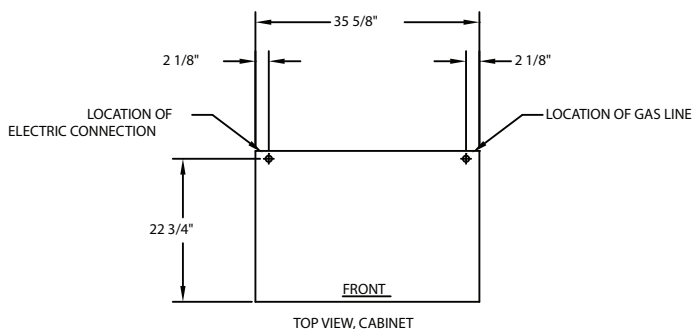
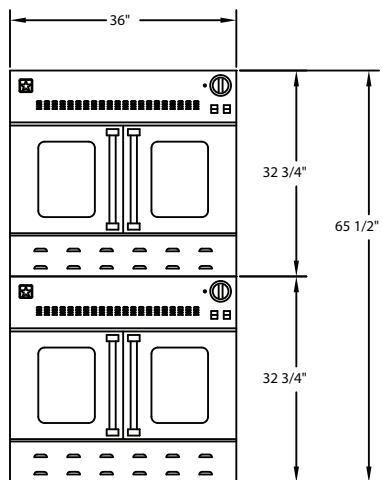
DESIGN PREFERENCES

- Oven color, knob color, trim finish (*see page 4*).

MODEL OPTIONS

- Additional oven rack
- Full extension oven rack

36" STACKED GAS WALL OVEN



RECOMMENDED CABINET WIDTH FOR 36" OVEN IS 39"

CLEARANCES

PRODUCT FEATURES

- Powerful 25,000 BTU oven burner with 3,000 BTU heat assist for quick start-ups
- Extra-large convection oven with True European Convection and 1850° Infrared broiler
- Largest oven capacity available on a 36" wall oven
- Accommodates full-size commercial 18" x 26" baking sheet
- Coved corners for optimal heat circulation and easier cleaning
- High visibility dual halogen oven lights
- Features French door design
- Available in 750+ colors and finishes
- Available in both single or double versions

SPECIFICATIONS

Double Oven Dimensions: 36"W x 23"D x 65.5"H

Oven Interior: 29"W x 20"D x 15"H

Oven Burner Rating: 25,000 BTUs

Infrared Broiler Rating: 15,000 BTUs

Oven Heat Assist Element: 3,000 BTUs

Double Oven Electrical Requirements:

120V, 60Hz, 20 AMPS, 1 PH

(Unit must be on a Non-GFI, dedicated outlet)

Operating Gas Pressure: NAT: 5.0" WC, LP: 10.0" WC

Gas Line Size: 1/2"

MODEL CONFIGURATIONS

Double Gas Wall Oven

BWO36AGS

DESIGN OPTIONS

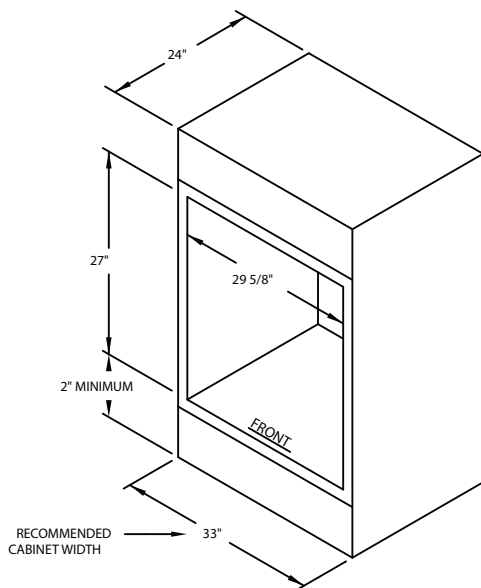
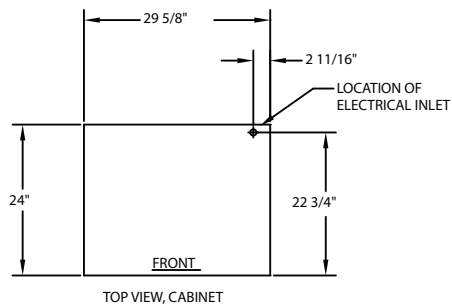
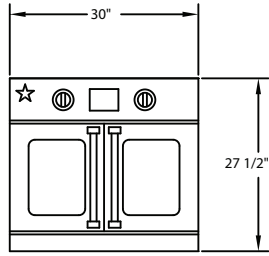
- Oven color, knob color, trim finish *(see page 4)*.

MODEL OPTIONS

- Additional oven rack
- Full extension oven rack

30" SINGLE ELECTRIC WALL OVEN

French Door



PRODUCT FEATURES

- Powerful 2,500 watt bake element plus 1,800 watt heat assist for faster preheat
- Commercial-grade intense 5,000 watt Infrared Broiler
- Built-in artisan baking stone with precise temperature control
- Extra-large oven with True European Convection
- Intuitive touch screen control panel with 12 cooking modes
- Precision temperature probe that provides perfect temperature control
- Eco-friendly Continu Clean™ features continuously cleans the oven capacity
- Gentle self cleaning cycle
- Features French door design
- Available in 750+ colors and finishes
- Available in both single or double versions

SPECIFICATIONS

Single Oven Dimensions: 30"W x 25.875"D x 27.5"H

Oven Interior: 26.25"W x 20"D x 15"H

Oven Bake Element Rating: 2,600 Watts

Oven Broiler Element Rating: 5000 Watts

Oven Heat Assist Element: 1,800 Watts

Electrical Requirements: 240V, 60Hz, 24 AMPS, 1 PH
(Unit must be on a Non-GFI, dedicated outlet)

MODEL CONFIGURATIONS

Single Electric Wall Oven

EWO30ECSD

DESIGN OPTIONS

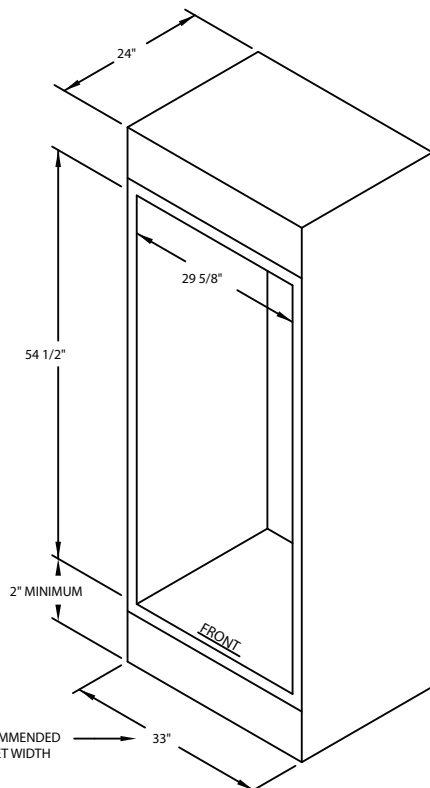
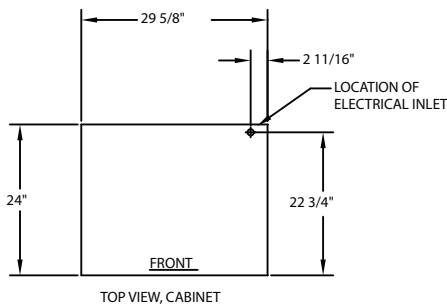
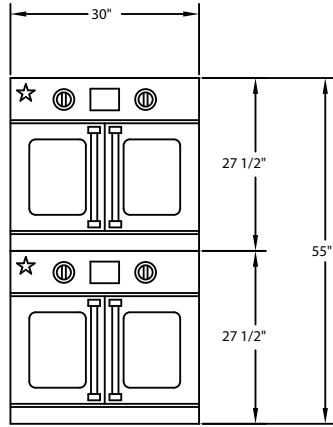
- Oven color, knob color, trim finish (see page 4).

MODEL OPTIONS

- Additional oven rack
- Full extension oven rack

30" STACKED ELECTRIC WALL OVEN

French Door



CLEARANCES

PRODUCT FEATURES

- Powerful 2,500 watt bake element plus 1,800 watt heat assist for faster preheat
- Commercial-grade intense 5,000 watt Infrared Broiler
- Built-in artisan baking stone with precise temperature control
- Extra-large oven with True European Convection
- Intuitive touch screen control panel with 12 cooking modes
- Precision temperature probe that provides perfect temperature control
- Eco-friendly Continu Clean™ features continuously cleans the oven capacity
- Gentle self cleaning cycle
- Features French door design
- Available in 750+ colors and finishes
- Available in both single or double versions

SPECIFICATIONS

Double Oven Dimensions: 30"W x 25.875"D x 55"H

Oven Interior: 26.25"W x 20"D x 15"H

Oven Bake Element Rating: 2,600 Watts

Oven Broiler Element Rating: 5000 Watts

Oven Heat Assist Element: 1,800 Watts

Electrical Requirements: 240V, 60Hz, 24 AMPS, 1 PH
(Unit must be on a Non-GFI, dedicated outlet)

MODEL CONFIGURATIONS

Double Electric Wall Oven

EWO30ECSD

DESIGN OPTIONS

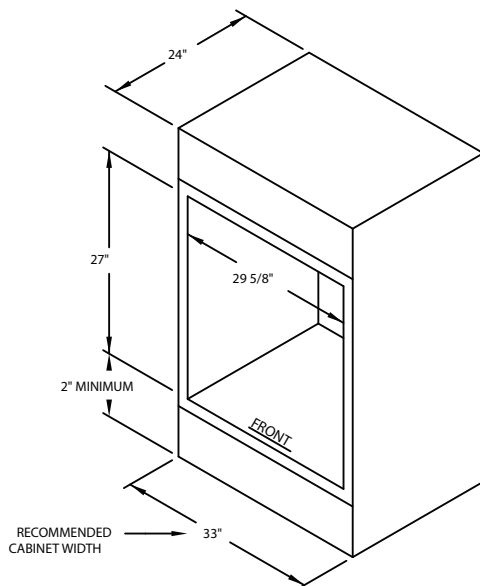
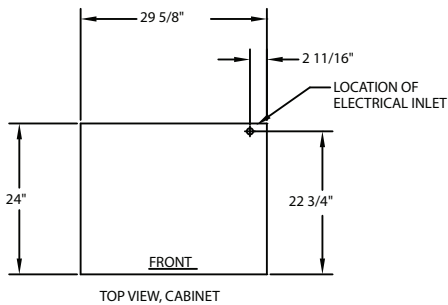
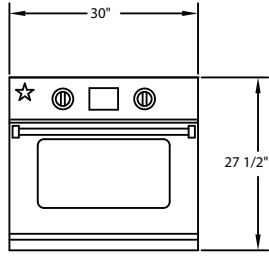
- Oven color, knob color, trim finish (see page 4).

MODEL OPTIONS

- Additional oven rack
- Full extension oven rack

30" SINGLE ELECTRIC WALL OVEN

Drop Down Door



PRODUCT FEATURES

- Powerful 2,500 watt bake element plus 1,800 watt heat assist for faster preheat
- Commercial-grade intense 5,000 watt Infrared Broiler
- Built-in artisan baking stone with precise temperature control
- Extra-large oven with True European Convection
- Intuitive touch screen control panel with 12 cooking modes
- Precision temperature probe that provides perfect temperature control
- Eco-friendly Continu Clean™ features continuously cleans the oven capacity
- Gentle self cleaning cycle
- Available in 750+ colors and finishes
- Available in both single or double versions

SPECIFICATIONS

Single Oven Dimensions: 30"W x 25.875"D x 27.75"H
Oven Interior: 26.25"W x 20"D x 15"H
Oven Bake Element Rating: 2,600 Watts
Oven Broiler Element Rating: 5000 Watts
Oven Heat Assist Element: 1,800 Watts
Electrical Requirements: 240V, 60Hz, 24 AMPS, 1 PH
(Unit must be on a Non-GFI, dedicated outlet)

MODEL CONFIGURATIONS

Single Electric Wall Oven

EWO30ECDD

DESIGN OPTIONS

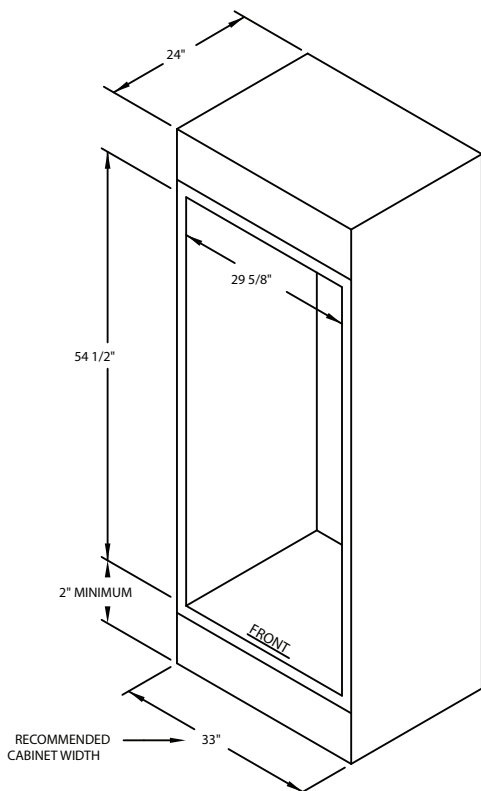
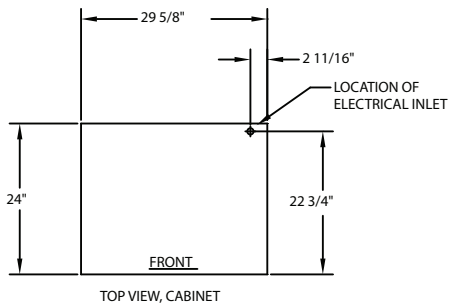
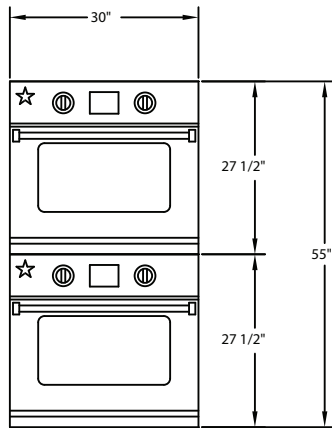
- Oven color, knob color, trim finish (see page 4).

MODEL OPTIONS

- Additional oven rack
- Full extension oven rack

30" DOUBLE ELECTRIC WALL OVEN

Drop Down Door



PRODUCT FEATURES

- Powerful 2,500 watt bake element plus 1,800 watt heat assist for faster preheat
- Commercial-grade intense 5,000 watt Infrared Broiler
- Built-in artisan baking stone with precise temperature control
- Extra-large oven with True European Convection
- Intuitive touch screen control panel with 12 cooking modes
- Precision temperature probe that provides perfect temperature control
- Eco-friendly Continu Clean™ features continuously cleans the oven capacity
- Gentle self cleaning cycle
- Available in 750+ colors and finishes
- Available in both single or double versions

SPECIFICATIONS

Double Oven Dimensions: 30"W x 25.875"D x 55"H

Oven Interior: 26.25"W x 20"D x 15"H

Oven Bake Element Rating: 2,600 Watts

Oven Broiler Element Rating: 5000 Watts

Oven Heat Assist Element: 1,800 Watts

Electrical Requirements Each Oven:

240V, 60Hz, 24 AMPS, 1 PH

(Unit must be on a Non-GFI, dedicated outlet)

MODEL CONFIGURATIONS

Double Electric Wall Oven

EWO30ECDD

DESIGN OPTIONS

- Oven color, knob color, trim finish *(see page 4)*.

MODEL OPTIONS

- Additional oven rack
- Full extension oven rack

SALAMANDER BROILER

FREESTANDING RANGES

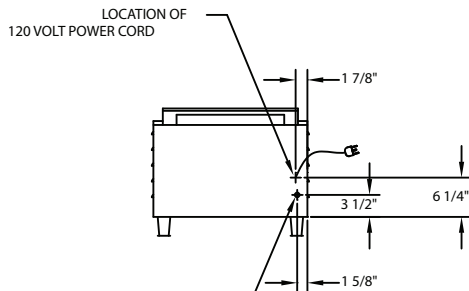
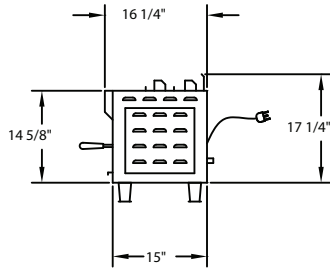
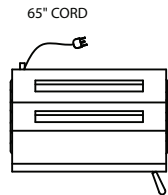
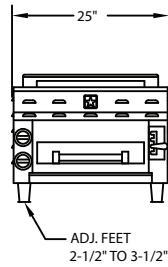
RANGETOPS

COOKTOPS

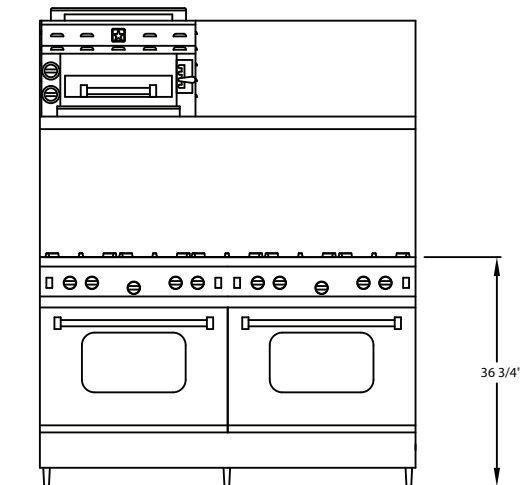
WALL OVENS

VENTILATION

REFRIGERATION



LOCATION OF GAS LINE
1/2" NPT GAS INLET
(MUST CONNECT TO NPT GAS SUPPLY LINE)



PRODUCT FEATURES

- Heavy-duty, commercial stainless steel construction
- Two independently controlled 11,000 BTU infrared ceramic burners
- 215 square inches of cooking space
- Large removable heavy-duty grilling rack
- Automatic electronic ignition and re-ignition system

SPECIFICATIONS

Product Dimensions: 25"W x 15"D x 14.625"H

Top Burner Rating: 11,000 BTU

Electrical Requirements: 120V, 60Hz, 15 AMPS, 1 PH
(Unit must be on a Non-GFI, dedicated outlet)

Operating Gas Pressure: NAT: 5.0" WC, LP: 10.0" WC

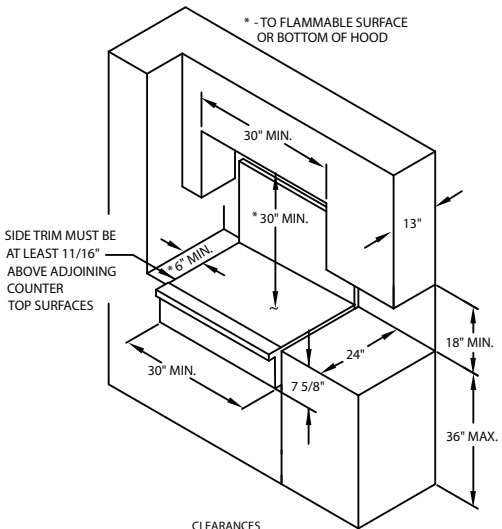
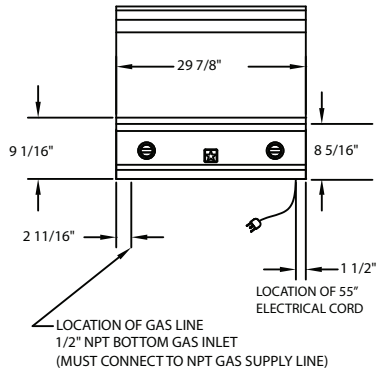
Gas Line Size: 1/2"

MODEL CONFIGURATIONS

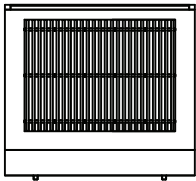
**Two Independently
Controlled Infrared Burners**

PRZSAL24

30" INDOOR CHARBROILER



PRZIDCB30



PRODUCT FEATURES

- Heavy-duty, commercial stainless steel construction
- Two 15,000 BTU stainless steel commercial U-burners
- Push-to-turn burner controls
- Cast iron, easy clean grates
- Removable, dishwasher-friendly stainless steel drip trays

SPECIFICATIONS

Cooktop Dimensions: 29.875"W x 24"D x 9.75"H

Charbroiler Rating: 30,000 BTU

Electrical Requirements: 120V, 60Hz, 15 AMPS, 1 PH
(Unit must be on a Non-GFI, dedicated outlet)

Operating Gas Pressure: NAT: 5.0" WC, LP: 10.0" WC

Gas Line Size: 1/2"

MODEL CONFIGURATIONS

30" Charbroiler Burners

PRZIDCB30

DESIGN OPTIONS

- Knob color (see page 4).





Ventilation

PRO-LINE WALL HOOD

FREESTANDING RANGES

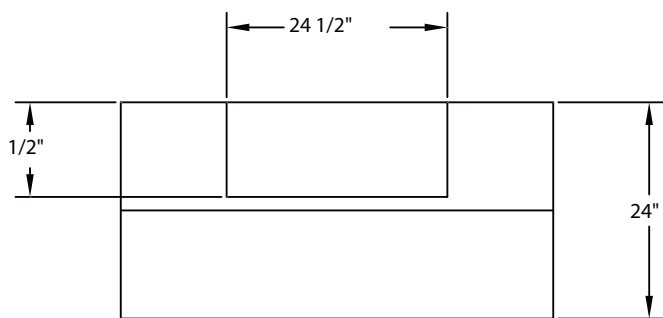
RANGETOPS

COOKTOPS

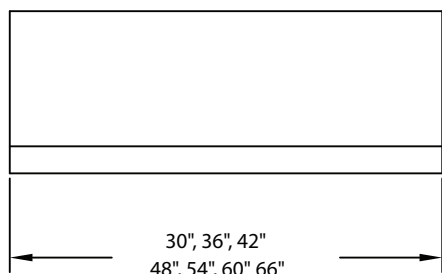
WALL OVENS

VENTILATION

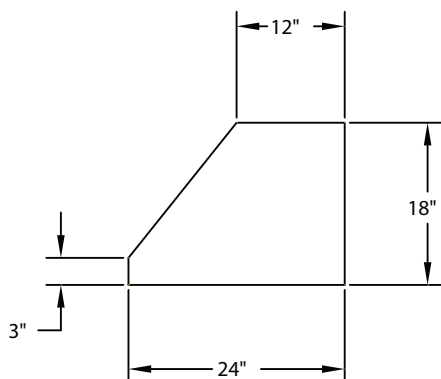
REFRIGERATION



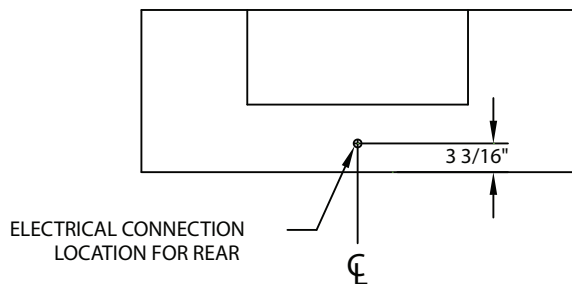
TOP VIEW



FRONT VIEW



RT SIDE VIEW



BACK VIEW

PRODUCT FEATURES

- Available in 30", 36", 42", 48", 54", 60", and 66" width sizes
- 42" and larger sizes available in 1200CFM only
- Commercial grade 18 gauge 300 stainless steel construction
- Welded seamless corners
- Dishwasher safe stainless steel baffle filters
- 3 speed blower control
- Halogen lamps with dimmer control
- Reversible top or rear exhaust
- Hidden control knobs
- Quiet performance
- Largest filtered capture in the industry
- 30" and 36" models available in 600 or 1200CFM

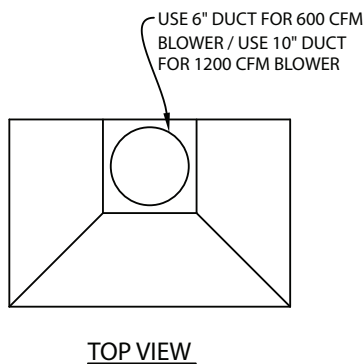
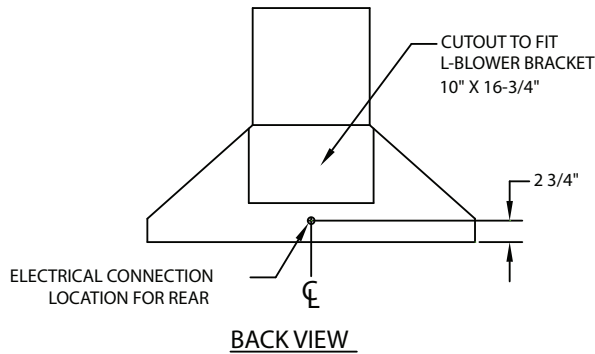
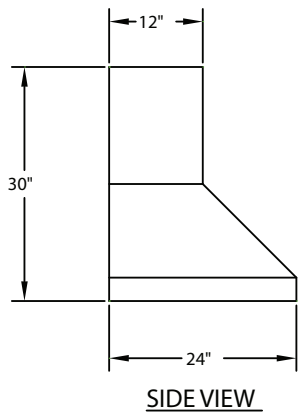
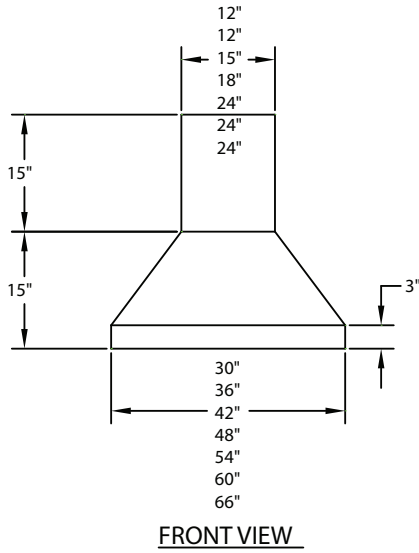
BLOWER OPTIONS

- In-Hood: 300, 600, and 1200CFM
- In-Line: 300, 600, and 1200CFM
- Remote: 1000 and 1400CFM

DESIGN OPTIONS

- 750+ colors and finishes (*see page 4*).
- Brushed Brass and Brushed Copper (*see page 4*).

PYRAMID WALL HOOD



PRODUCT FEATURES

- Available in 30", 36", 42", 48", 54", 60", and 66" width sizes
- 30" model available in 600CFM.
36" and 42" models available in 600 or 1200CFM
- 48" and larger sizes available in 1200 CFM
- Commercial grade 18 gauge 300 stainless steel construction
- Welded seamless corners
- Dishwasher safe stainless steel baffle filters
- 3-speed blower control
- Halogen lamps with dimmer control
- Top exhaust; can be ducted to the rear with use of 90° elbow (not included)
- Hidden control knobs
- Quiet performances
- Includes flue that accommodates most 9 ft. ceilings.

BLOWER OPTIONS

- In-Hood: 300, 600, and 1200CFM
- In-Line: 300, 600, and 1200CFM
- Remote: 1000 and 1400CFM

DESIGN OPTIONS

- 750+ colors and finishes (see page 4).
- Brushed Brass and Brushed Copper (see page 4).

LOW PROFILE WALL HOOD

FREESTANDING RANGES

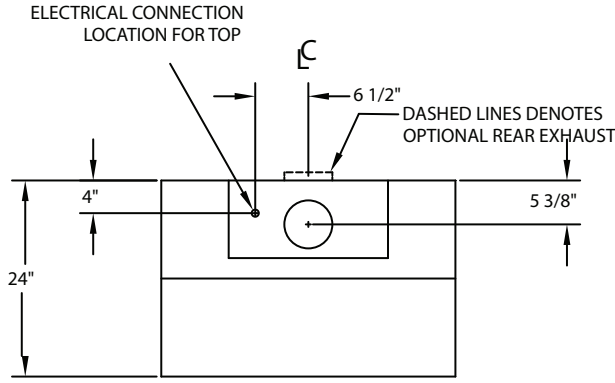
RANGETOPS

COOKTOPS

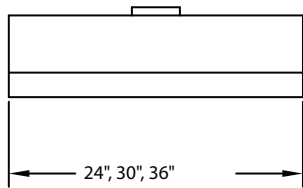
WALL OVENS

VENTILATION

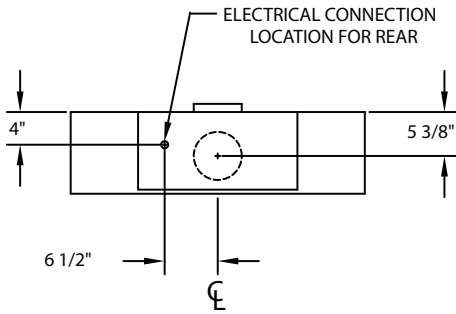
REFRIGERATION



TOP VIEW

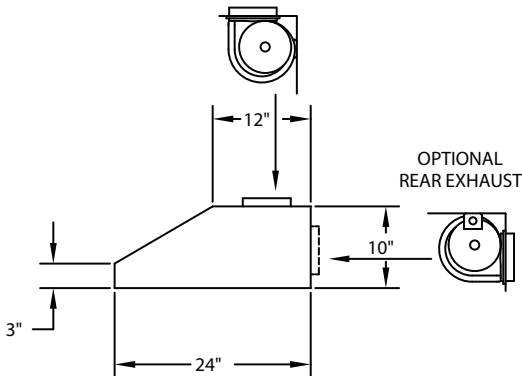


FRONT VIEW



BACK VIEW

STDANDARD
TOP EXHAUST



RT SIDE VIEW

PRODUCT FEATURES

- Available in 24", 30", and 36" width sizes
- Compatible with 600 CFM internal blower
- Commercial grade 18 gauge 300 stainless steel construction
- Welded seamless corners
- Dishwasher safe stainless steel baffle filters
- Variable blower control
- Halogen lamps with dimmer control
- Reversible top or rear exhaust
- Hidden control knobs
- Quiet performance
- Hood flue
- Recirculating kit available on 30", 36", 42", and 48"

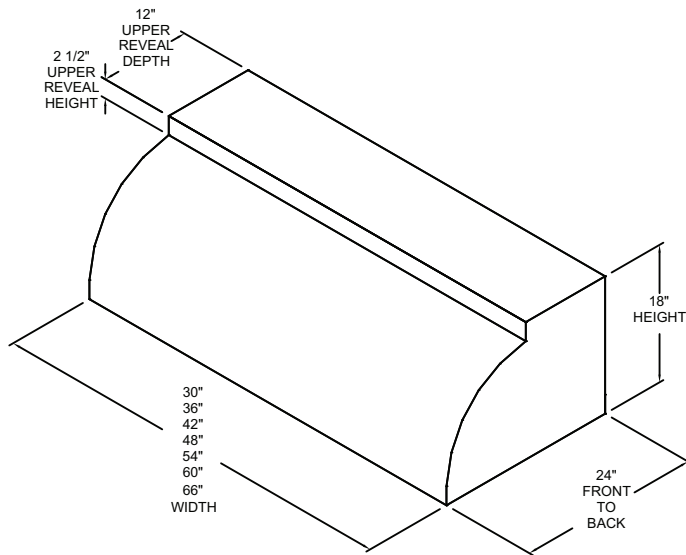
BLOWER OPTIONS

- In-Hood: 300 and 600
- In-Line: 300, 600, and 1200CFM
- Remote: 1000 and 1400CFM

DESIGN OPTIONS

- 750+ colors and finishes (*see page 4*).
- Brushed Brass and Brushed Copper (*see page 4*).

BONANZA WALL HOOD



PRODUCT FEATURES

- Available in 30", 36", 42", 48", 54", 60", and 66" width sizes
- Handcrafted seamless construction with 16 gauge material
- Commercial style stainless steel baffle filter system
- Available in 750+ colors or Brushed Copper and Brushed Brass finishes
- Stainless steel internal liner with double wall construction
- 3 speed fan control
- Halogen lamps
- Accommodates top or rear discharge
- 30" and 36" models include a 300 or 600CFM in-hood blower
- Remote and In-line fans available
- Recirculating kit available on 30", 36", 42", and 48"

BLOWER OPTIONS

- In-Hood: 300, 600, and 1200CFM
- In-Line: 300, 600, and 1200CFM
- Remote: 1000 and 1400CFM

DESIGN OPTIONS

- 750+ colors and finishes (*see page 4*).
- Brushed Brass and Brushed Copper (*see page 4*).

HAMPTON WALL HOOD

FREESTANDING RANGES

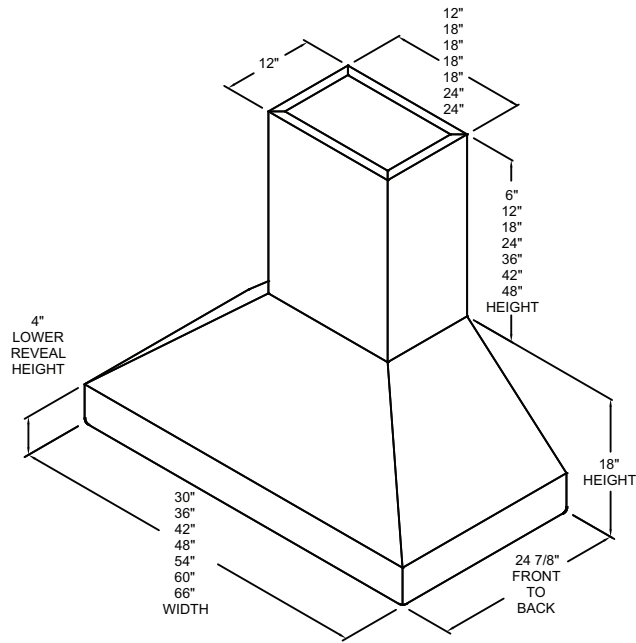
RANGETOPS

COOKTOPS

WALL OVENS

VENTILATION

REFRIGERATION



PRODUCT FEATURES

- Available in 30", 36", 42", 48", 54", 60", and 66" width sizes
- Handcrafted seamless construction with 16 gauge material
- Commercial style stainless steel baffle filter system
- Available in 750+ colors or Brushed Copper and Brushed Brass finishes
- Stainless steel internal liner with double wall construction
- 3 speed fan control
- Halogen lamps
- 30" and 36" accommodates top discharge only. Over 42" specify top or rear discharge
- Remote and In-line fans available
- Recirculating kit available on 30", 36", 42", and 48"
- 30" and 36" models include 300 or 600CFM in-hood blower
- Included duct heights: 6", 12", 18", 24" and 30"

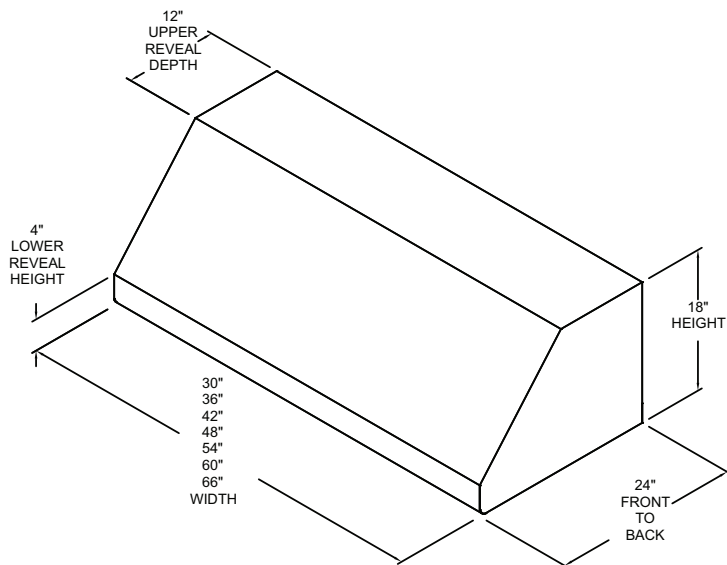
BLOWER OPTIONS

- In-Hood: 300, 600, and 1200CFM
- In-Line: 300, 600, and 1200CFM
- Remote: 1000 and 1400CFM

DESIGN OPTIONS

- 750+ colors and finishes (*see page 4*).
- Brushed Brass and Brushed Copper (*see page 4*).

INCLINE WALL HOOD



PRODUCT FEATURES

- Available in 30", 36", 42", 48", 54", 60", and 66" width sizes
- Handcrafted seamless construction with 16 gauge material
- Commercial style stainless steel baffle filter system
- Available in 750+ colors or Brushed Copper and Brushed Brass finishes
- Stainless steel internal liner with double wall construction
- 3 speed fan control
- Halogen lamps
- Accommodates top or rear discharge
- Recirculating kit available on 30", 36", 42", and 48"
- 30" and 36" models include a 300 or 600CFM in-hood blower

BLOWER OPTIONS

- In-Hood: 300, 600, and 1200CFM
- In-Line: 300, 600, and 1200CFM
- Remote: 1000 and 1400CFM

DESIGN OPTIONS

- 750+ colors and finishes
- Brushed Brass and Brushed Copper

LARAMIE WALL HOOD

FREESTANDING RANGES

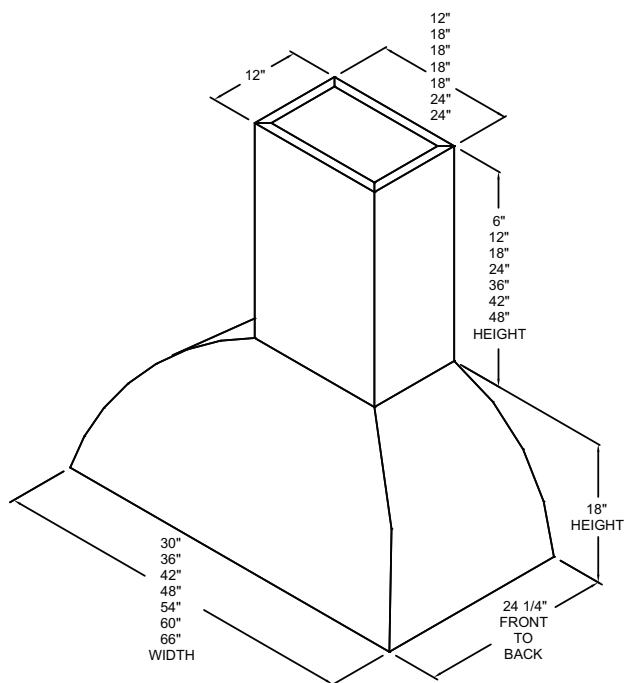
RANGETOPS

COOKTOPS

WALL OVENS

VENTILATION

REFRIGERATION



PRODUCT FEATURES

- Available in 30", 36", 42", 48", 54", 60", and 66" width sizes
- Handcrafted seamless construction with 16 gauge material
- Commercial style stainless steel baffle filter system
- Available in 750+ colors or Brushed Copper and Brushed Brass finishes
- Stainless steel internal liner with double wall construction
- 3 speed fan control
- Halogen lamps
- 30" and 36" accommodates top discharge only. Over 42" specify top or rear discharge
- 30" and 36" models include a 300 or 600CFM in-hood blower
- Included duct heights: 6", 12", 18", 24" and 30"
- Recirculating kit available on 30", 36", 42", and 48"

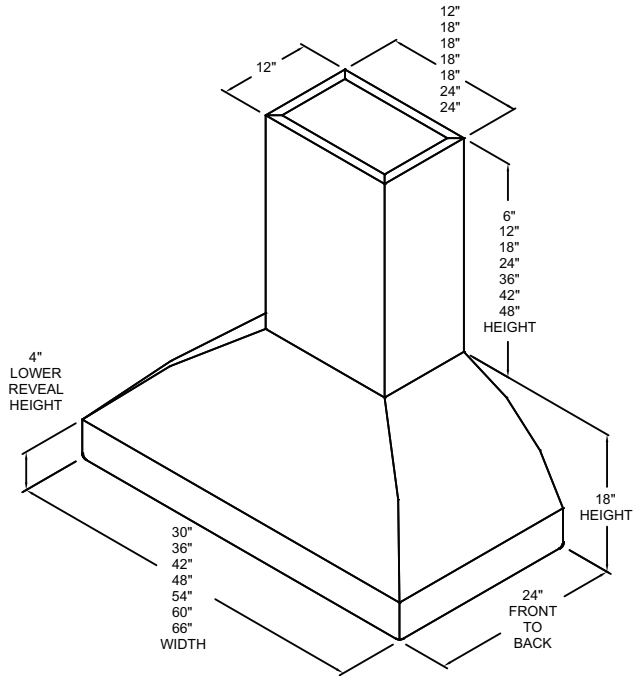
BLOWER OPTIONS

- In-Hood: 300, 600, and 1200CFM
- In-Line: 300, 600, and 1200CFM
- Remote: 1000 and 1400CFM

DESIGN OPTIONS

- 750+ colors and finishes (*see page 4*).
- Brushed Brass and Brushed Copper (*see page 4*).

LAREDO WALL HOOD



PRODUCT FEATURES

- Available in 30", 36", 42", 48", 54", 60", and 66" width sizes
- Handcrafted seamless construction with 16 gauge material
- Commercial style stainless steel baffle filter system
- Available in 750+ colors or Brushed Copper and Brushed Brass finishes
- Stainless steel internal liner with double wall construction
- 3 speed fan control
- Halogen lamps
- Accommodates top discharge only
- Remote and In-line fans available
- Recirculating kit available on 30", 36", 42", and 48"
- 30" and 36" models include a 300 or 600CFM in-hood blower
- Included duct heights: 6", 12", 18", 24", and 30"

BLOWER OPTIONS

- In-Hood: 300, 600, and 1200CFM
- In-Line: 300, 600, and 1200CFM
- Remote: 1000 and 1400CFM

DESIGN OPTIONS

- 750+ colors and finishes (see page 4).
- Brushed Brass and Brushed Copper (see page 4).

LONDON FLAT WALL HOOD

FREESTANDING RANGES

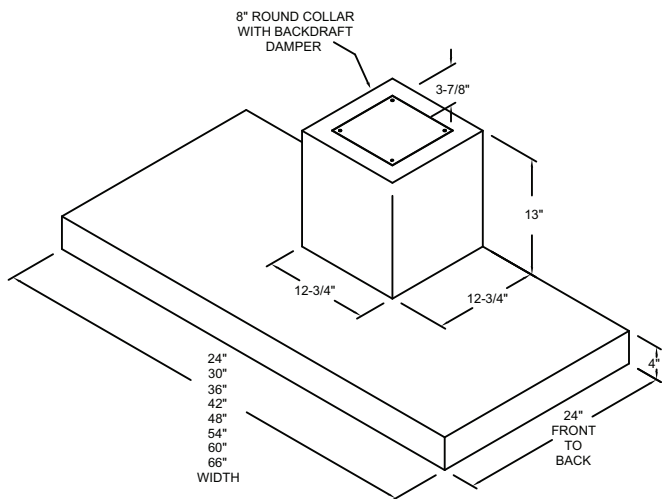
RANGETOPS

COOKTOPS

WALL OVENS

VENTILATION

REFRIGERATION



PRODUCT FEATURES

- Available in 24", 30", 36", 42", 48", 54", 60", and 66" width sizes
- Handcrafted seamless construction
- Anodized aluminum mesh filter system
- Available in 750+ colors or Brushed Copper and Brushed Brass finishes
- 3 speed fan control
- Halogen lamps
- Accommodates top discharge only
- Remote and In-line fans available
- 24", 30", and 36" models include a 300 or 600CFM in-hood blower

BLOWER OPTIONS

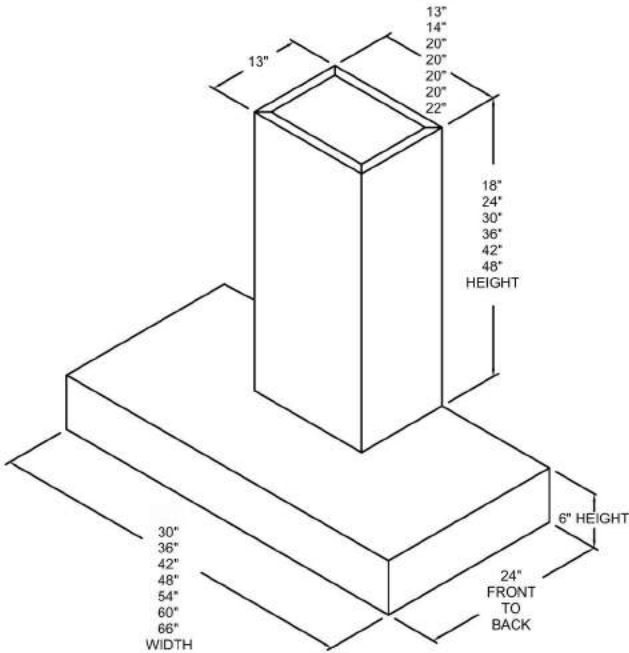
- In-Hood: 300, 600, and 1200CFM
- In-Line: 300, 600, and 1200CFM
- Remote: 1000 and 1400CFM

MODEL OPTIONS

DESIGN OPTIONS

- 750+ colors and finishes (*see page 4*).
- Brushed Brass and Brushed Copper (*see page 4*).

MANHATTAN WALL HOOD



PRODUCT FEATURES

- Available in 30", 36", 42", 48", 54", 60", and 66" width sizes
- Handcrafted seamless construction with 16 gauge material
- Commercial style stainless steel baffle filter system
- Available in 750+ colors or Brushed Copper and Brushed Brass finishes
- Stainless steel internal liner with double wall construction
- 3 speed fan control
- Halogen lamps
- Accommodates top discharge only
- Remote and In-line fans available
- 24", 30", and 36" models include a 300 or 600CFM in-hood blower
- Included duct heights: 18", 24", and 30"

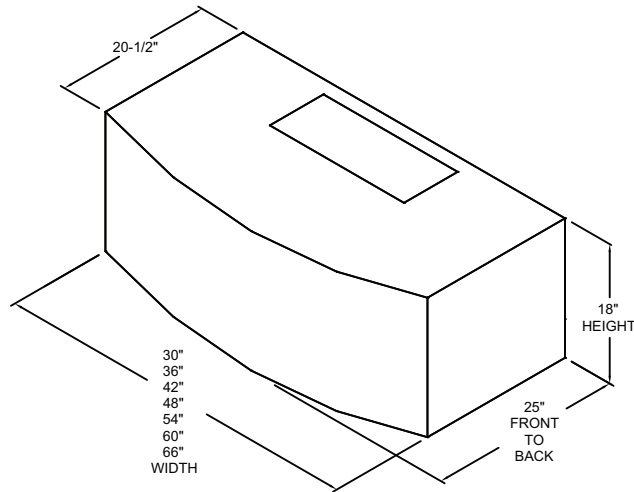
BLOWER OPTIONS

- In-Hood: 300, 600, and 1200CFM
- In-Line: 300, 600, and 1200CFM
- Remote: 1000 and 1400CFM

DESIGN OPTIONS

- 750+ colors and finishes (see page 4).
- 30", 36", 42", 48", 54", 60", and 66" Brushed Copper (see page 4).

POPLAR WALL HOOD



PRODUCT FEATURES

- Available in 30", 36", 42", 48", 54", 60", and 66" width sizes
- Handcrafted seamless construction with 16 gauge material
- Commercial style stainless steel baffle filter system
- Available in 750+ colors or Brushed Copper and Brushed Brass finishes
- Stainless steel internal liner with double wall construction
- 3 speed fan control
- Halogen lamps
- Accommodates top or rear discharge
- Remote and In-line fans available
- 30" and 36" models include a 300 or 600CFM in-hood blower

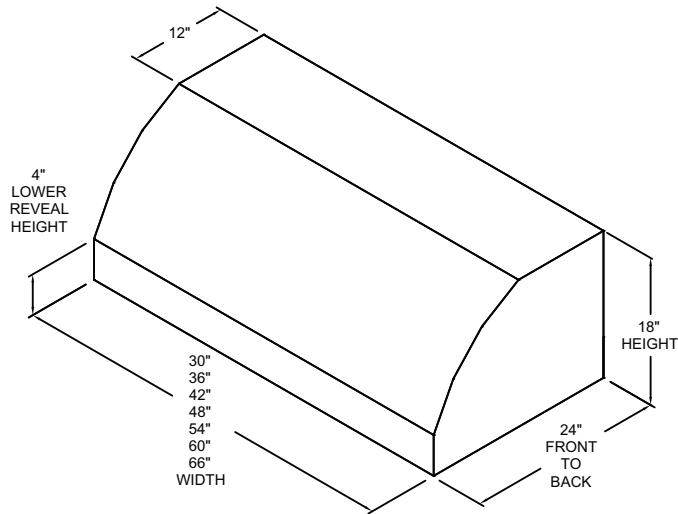
BLOWER OPTIONS

- In-Hood: 300, 600, and 1200CFM
- In-Line: 300, 600, and 1200CFM
- Remote: 1000 and 1400CFM

DESIGN OPTIONS

- 750+ colors and finishes (*see page 4*).
- Brushed Brass and Brushed Copper (*see page 4*).

SANTA FE WALL HOOD



PRODUCT FEATURES

- Available in 30", 36", 42", 48", 54", 60", and 66" width sizes
- Handcrafted seamless construction with 16 gauge material
- Commercial style stainless steel baffle filter system
- Available in 750+ colors or Brushed Copper and Brushed Brass finishes
- Stainless steel internal liner with double wall construction
- 3 speed fan control
- Halogen lamps
- Accommodates top or rear discharge
- Remote and In-line fans available
- Recirculating kit available on 30", 36", 42", and 48"
- 30" and 36" models include a 300 or 600CFM in-hood blower

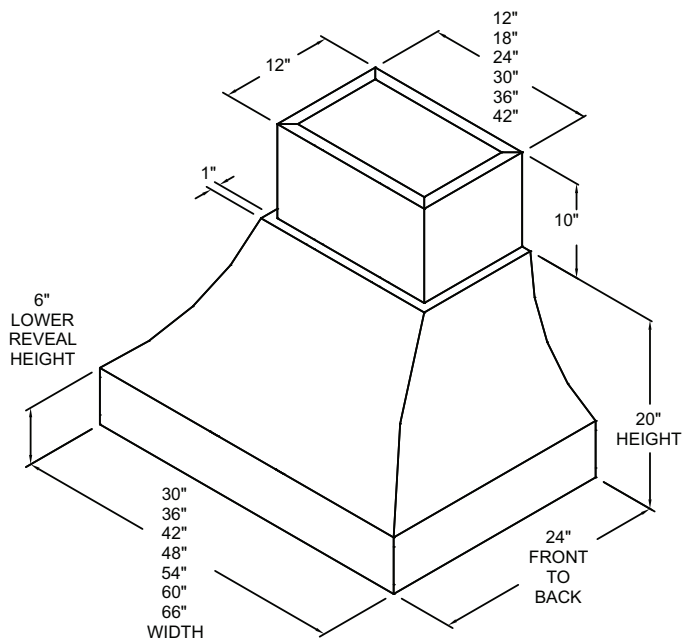
BLOWER OPTIONS

- In-Hood: 300, 600, and 1200CFM
- In-Line: 300, 600, and 1200CFM
- Remote: 1000 and 1400CFM

DESIGN OPTIONS

- 750+ colors and finishes (*see page 4*).
- Brushed Brass and Brushed Copper (*see page 4*).

WRANGLER WALL HOOD



PRODUCT FEATURES

- Available in 30", 36", 42", 48", 54", 60", and 66" width sizes
- Handcrafted seamless construction with 16 gauge material
- Commercial style stainless steel baffle filter system
- Available in 750+ colors or Brushed Copper and Brushed Brass finishes
- Stainless steel internal liner with double wall construction
- 3 speed fan control
- Halogen lamps
- 30" and 36" accommodates top discharge only. Over 42" specify top or rear discharge
- Remote and In-line fans available
- 30" and 36" models include a 300 or 600CFM in-hood blower
- Included duct heights: 10", 16", 22", and 28"

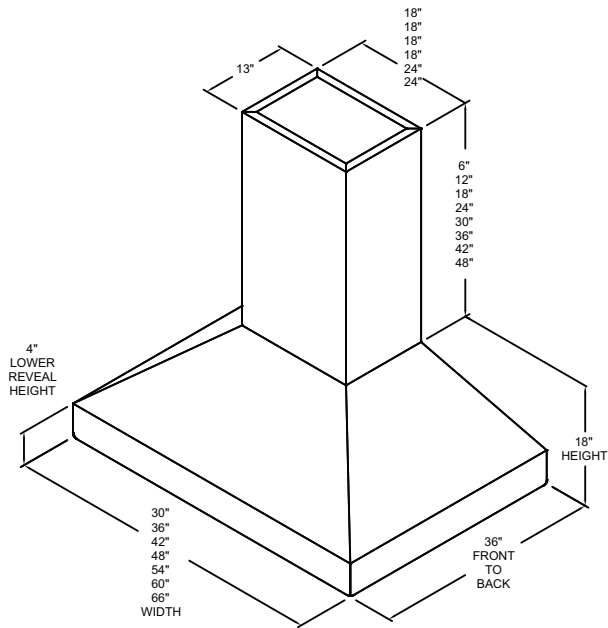
BLOWER OPTIONS

- In-Hood: 300, 600, and 1200CFM
- In-Line: 300, 600, and 1200CFM
- Remote: 1000 and 1400CFM

DESIGN OPTIONS

- 750+ colors and finishes (see page 4).
- Brushed Brass and Brushed Copper (see page 4).

HAMPTON ISLAND HOOD



PRODUCT FEATURES

- Available in 30", 36", 42", 48", 54", 60", and 66" width sizes
- Handcrafted seamless construction with 16 gauge material
- Commercial style stainless steel baffle filter system
- Available in 750+ colors or Brushed Copper and Brushed Brass finishes
- Stainless steel internal liner with double wall construction
- 3 speed fan control
- Halogen lamps
- Accommodates top discharge only
- 30" and 36" models include a 300 or 600CFM in-hood blower
- Remote and In-line fans available
- Included duct heights: 6", 12", 18", 24", and 30"

BLOWER OPTIONS

- In-Hood: 300, 600, and 1200CFM
- In-Line: 300, 600, and 1200CFM
- Remote: 1000 and 1400CFM

DESIGN OPTIONS

- 750+ colors and finishes (*see page 4*).
- Brushed Brass and Brushed Copper (*see page 4*).

LARAMIE ISLAND HOOD

FREESTANDING RANGES

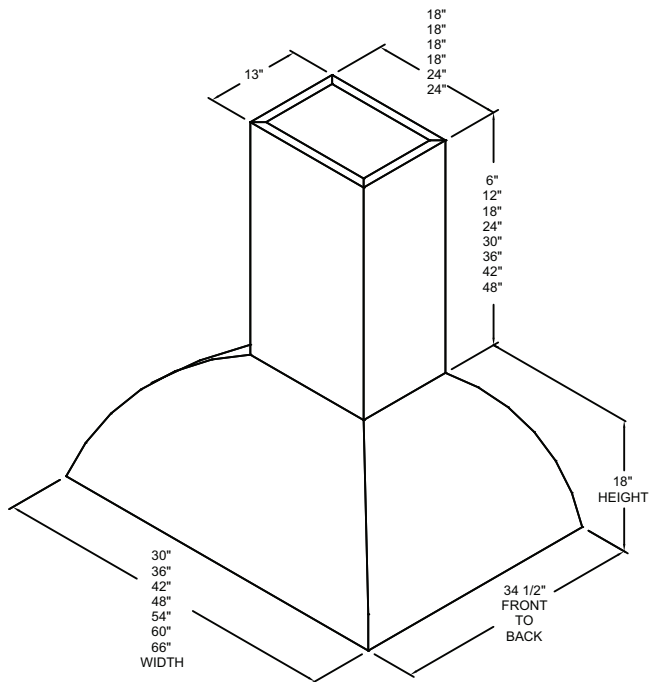
RANGETOPS

COOKTOPS

WALL OVENS

VENTILATION

REFRIGERATION



PRODUCT FEATURES

- Available in 30", 36", 42", 48", 54", 60", and 66" width sizes
- Handcrafted seamless construction with 16 gauge material
- Commercial style stainless steel baffle filter system
- Available in 750+ colors or Brushed Copper and Brushed Brass finishes
- Stainless steel internal liner with double wall construction
- 3 speed fan control
- Halogen lamps
- Accommodates top discharge only
- 30" and 36" models include a 300 or 600CFM in-hood blower
- Remote and In-line fans available
- Included duct heights: 6", 12", 18", 24", and 30"

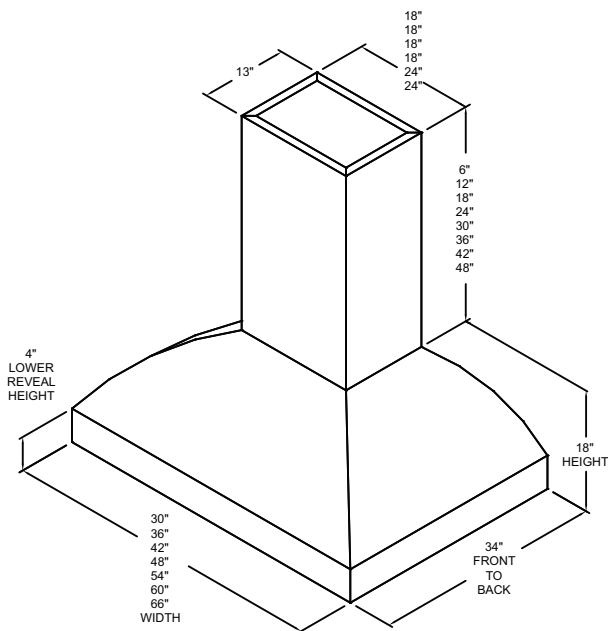
BLOWER OPTIONS

- In-Hood: 300, 600, and 1200CFM
- In-Line: 300, 600, and 1200CFM
- Remote: 1000 and 1400CFM

DESIGN OPTIONS

- 750+ colors and finishes (see page 4).
- Brushed Brass and Brushed Copper (see page 4).

LAREDO ISLAND HOOD



PRODUCT FEATURES

- Available in 30", 36", 42", 48", 54", 60", and 66" width sizes
- Handcrafted seamless construction with 16 gauge material
- Commercial style stainless steel baffle filter system
- Available in 750+ colors or Brushed Copper and Brushed Brass finishes
- Stainless steel internal liner with double wall construction
- 3 speed fan control
- Halogen lamps
- Accommodates top discharge only
- 30" and 36" models include a 300 or 600CFM in-hood blower
- Remote and In-line fans available
- Included duct heights: 6", 12", 18", 24", and 30"

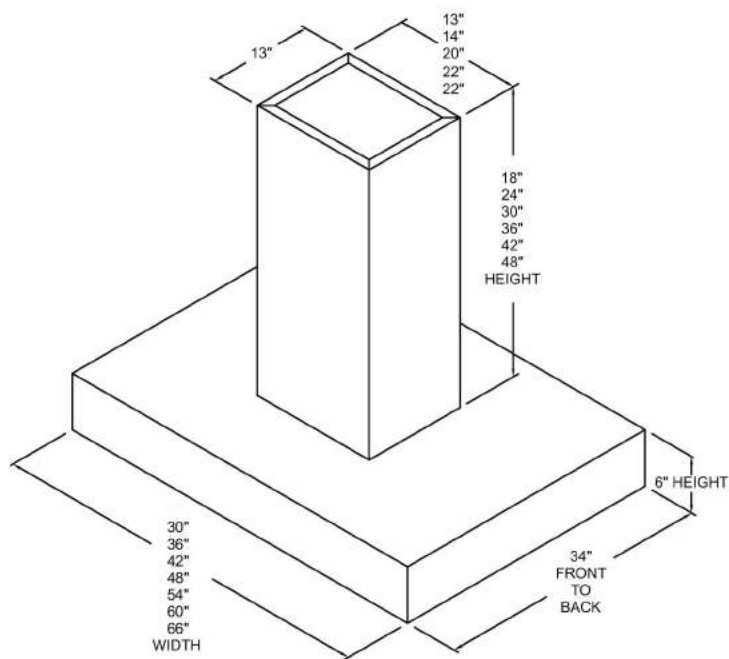
BLOWER OPTIONS

- In-Hood: 300, 600, and 1200CFM
- In-Line: 300, 600, and 1200CFM
- Remote: 1000 and 1400CFM

DESIGN OPTIONS

- 750+ colors and finishes (*see page 4*).
- Brushed Brass and Brushed Copper (*see page 4*).

MANHATTAN ISLAND HOOD



PRODUCT FEATURES

- Available in 30", 36", 42", 48", 54", 60", and 66" width sizes
- Handcrafted seamless construction with 16 gauge material
- Commercial style stainless steel baffle filter system
- Available in 750+ colors or Brushed Copper and Brushed Brass finishes
- Stainless steel internal liner with double wall construction
- 3 speed fan control
- Halogen lamps
- Accommodates top discharge only
- 30" and 36" models include a 300 or 600CFM in-hood blower
- Remote and In-line fans available
- Included duct heights: 18", 24", and 30"

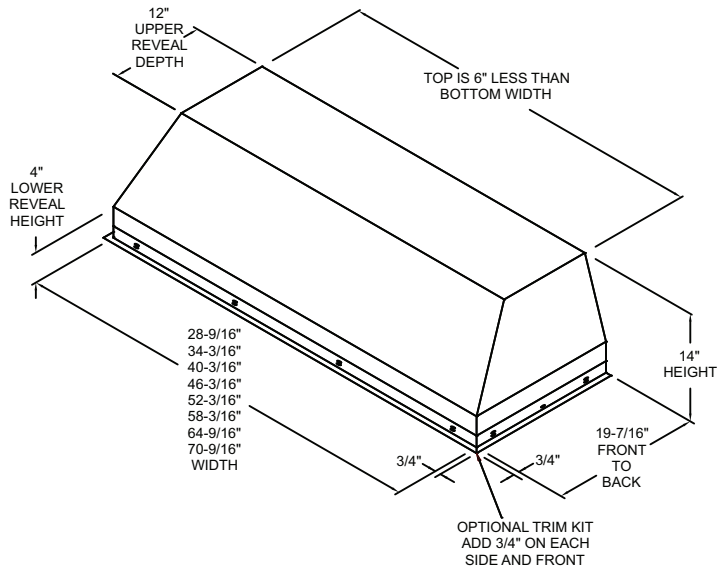
BLOWER OPTIONS

- In-Hood: 300, 600, and 1200CFM
- In-Line: 300, 600, and 1200CFM
- Remote: 1000 and 1400CFM

DESIGN OPTIONS

- 750+ colors and finishes (*see page 4*).
- Brushed Brass and Brushed Copper (*see page 4*).

MLSS LINER



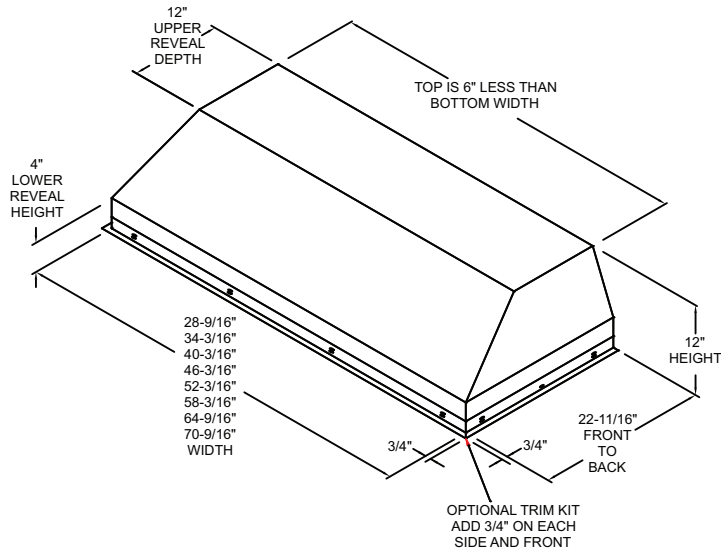
PRODUCT FEATURES

- Available in 28", 34", 40", 46", 52", 58", 64", and 70" width sizes
- Seamed construction
- 3 speed fan control
- High heat sensor
- Stainless steel baffle filters
- Non-mirrored, finished edges
- Accommodates top or rear discharge
- 28" and 34" models include a 300 or 600CFM in-hood blower
- Remote and In-line fans available

BLOWER OPTIONS

- In-Hood: 300, 600, and 1200CFM
- In-Line: 300, 600, and 1200CFM
- Remote: 1000 and 1400CFM

PMLSS LINER



PRODUCT FEATURES

- Available in 28", 34", 40", 46", 52", 58", 64", and 70" width sizes
- Seamed construction
- 3 speed fan control
- High heat sensor
- Stainless steel baffle filters
- Non-mirrored, finished edges
- Accommodates top or rear discharge
- 28" and 34" models include a 300 or 600CFM in-hood blower
- Remote and In-line fans available

BLOWER OPTIONS

- In-Hood: 300, 600, and 1200CFM
- In-Line: 300, 600, and 1200CFM
- Remote: 1000 and 1400CFM





Refrigeration

36" BUILT-IN REFRIGERATOR

FREESTANDING RANGES

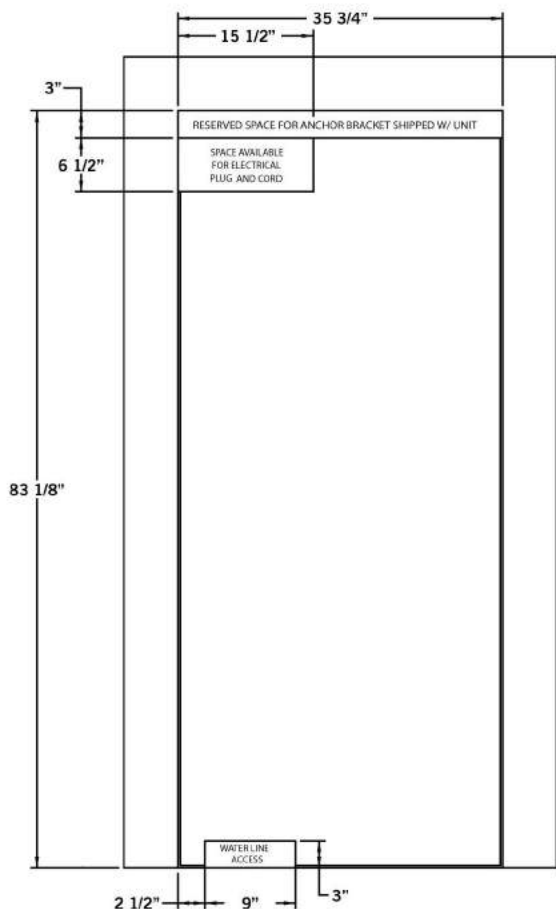
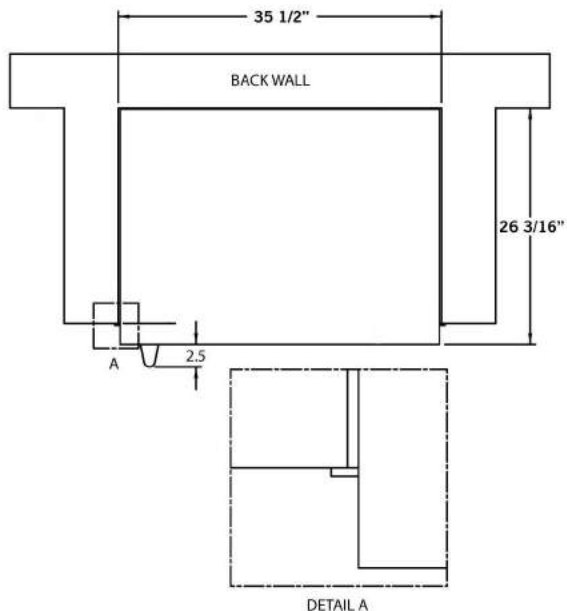
RANGETOPS

COOKTOPS

WALL OVENS

VENTILATION

REFRIGERATION



Revised BlueStar Refrigerator Dimensions
Revision Date: November 1, 2016

PRODUCT FEATURES

- Stunning stainless steel interiors
- All glass and metal components
- Heavy-duty construction
- Dramatic, ramp-on LED lighting
- Extra-large, fully extending drawers
- Fully extending tray that fits commercial size sheet pan
- OLED touchscreen control
- Dual compressors
- Automatic ice maker
- Available in 36" bottom freezer that can be mounted built-in or integrated
- Choose from stainless steel plus 750+ colors and finishes. Available in 10 metal handle trim options plus left or right door swings

SPECIFICATIONS

Refrigerator Dimensions:

35.75"W x 26.187"D x 83.125"H

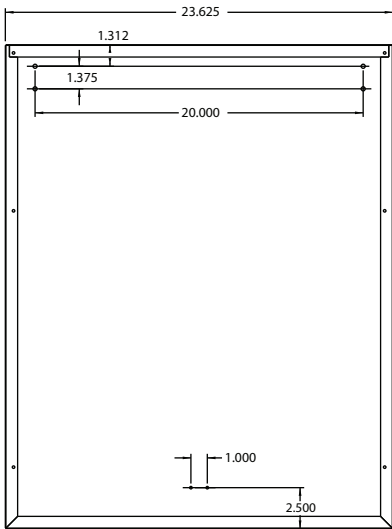
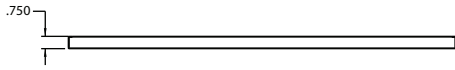
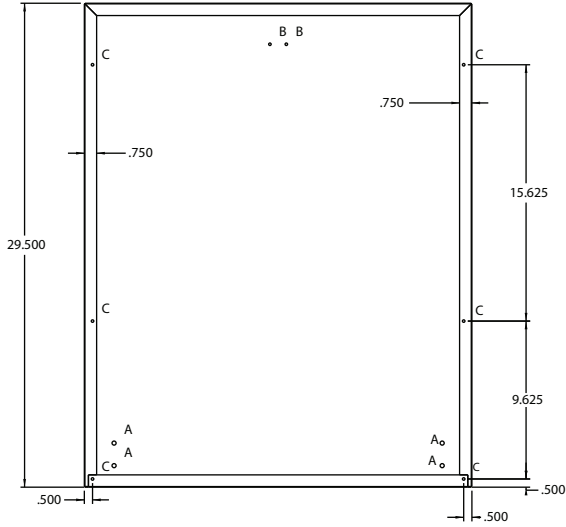
Electrical Requirements: 115V, 60Hz, 15 AMP circuit
(Unit must be on a Non-GFI, dedicated outlet)

Water Pressure: 35-120psi

DESIGN OPTIONS

- Door color, door swing, and trim options (see page 4).

DISHWASHER PANEL



PRODUCT FEATURES

- Accommodates most major dishwasher brands
- Heavy-duty stainless steel construction
- Available in 750+ colors and finishes

DESIGN OPTIONS

- Panel color, and trim options (*see page 4*).



For more information about BlueStar® products or to purchase, please contact: sales@bluestarcooking.com

328 June Avenue, Blandon, PA 19510
www.bluestarcooking.com



@bluestarcooking

Rev. February 2016

©2016. Prizer-Painter Stove Works, Inc. ALL RIGHTS RESERVED. Specifications subject to change without notice.

Product colors shown within this brochure are to be used for guidance only. Due to printing variations, actual colors may vary.
For the most accurate color reference, please visit www.bluestarcooking.com to purchase a RAL paint sample.

BlueStar® and the associated trademarks depicted herein are registered trademarks of Prizer-Painter Stove Works, Inc., and its related companies.