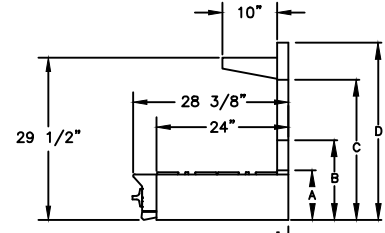
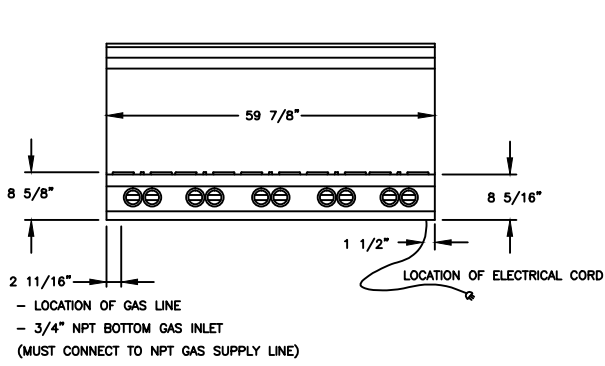


BLUESTAR 60" RGTNB V2 RANGETOP SERIES

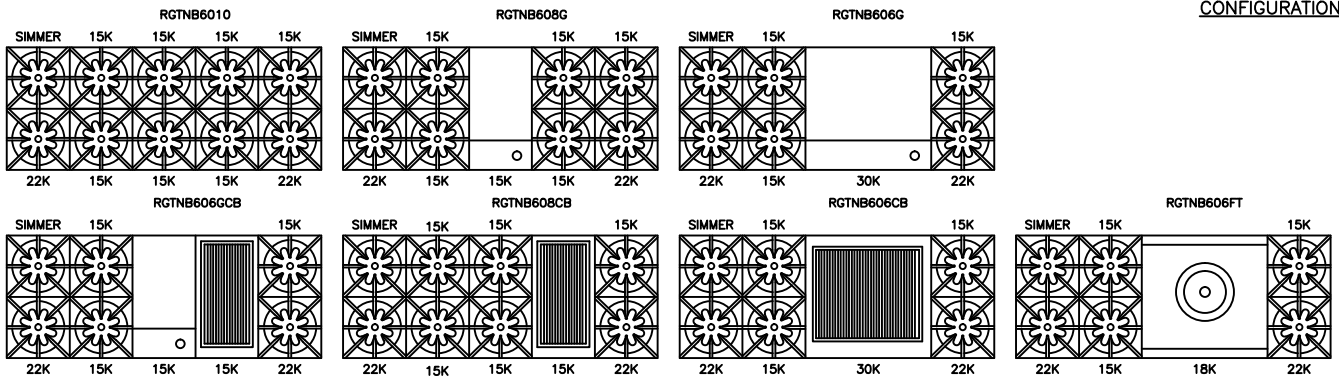


LOCATION OF ELECTRICAL CONNECTION
NOTE: A HOLE MUST BE DRILLED INTO THE BASE CABINET TO ACCEPT ELECTRICAL CORD.

LOCATION OF GAS LINE
NOTE: A HOLE MUST BE DRILLED INTO THE BASE CABINET TO ACCEPT GAS LINE.

- A - ISLAND TRIM HEIGHT - 9 1/16"
- B - 6" STANDARD BACKGUARD HEIGHT - 14-9/16"
- C - 17" BACKGUARD HEIGHT - 25-9/16"
- D - HIGH SHELF BACKGUARD HEIGHT - 32 5/16"

CONFIGURATIONS

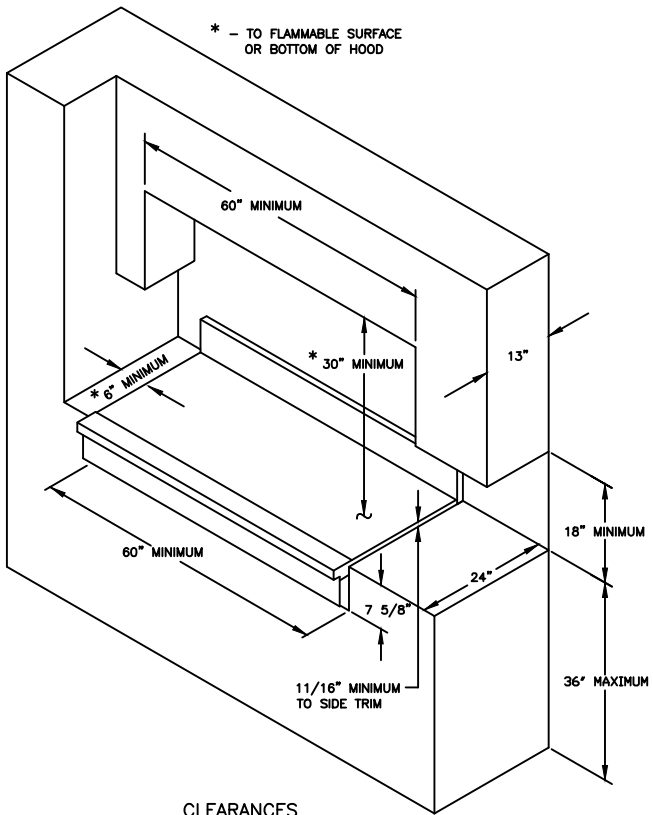


SPECIFICATIONS:

- SIMMER BURNER RATING _ _ _ _ 9,000 BTU, 130°F
- TOP NOVA BURNER RATING _ _ _ _ 15,000 BTU
- TOP PRIMANOVA BURNER RATING _ _ 22,000 BTU
- 12" CHAR GRILL BURNER RATING _ _ 15,000 BTU
- 24" CHAR GRILL BURNER RATING _ _ 30,000 BTU
- 12" GRIDDLE BURNER RATING _ _ _ 15,000 BTU
- 24" GRIDDLE BURNER RATING _ _ _ 30,000 BTU
- FRENCH TOP BURNER RATING _ _ _ 18,000 BTU

- ELECTRICAL REQUIREMENTS _ _ _ _ 120V, 60Hz, 15 AMPS, 1 PH
(UNIT MUST BE ON A NON-GFI, DEDICATED OUTLET)

- OPERATING GAS PRESSURE _ _ _ _ NAT: 5.0" WC
LP: 10.0" WC
- INSTALLATION CLEARANCE _ _ _ _ 0" SIDE CABINET
0" BACK WALL



CLEARANCES

VISIT www.bluestarcooking.com FOR CUSTOM CONFIGURATIONS