

36" Built-In Bottom-Freezer



Benchmark® Series – Stainless Steel B36BT130NS



B36BT130NS
Stainless Steel

Also available in:

Custom Panel
B36IT100NP

The Benchmark 36" stainless steel built-in refrigerator, redesigned with premium metal interior, keeps food fresh longer and has efficient and precise cooling and humidity control.

Features & Benefits

VitaFresh® technology keeps food fresh up to 3x longer* with precise humidity and temperature control, on a full color UI.

Stainless steel backwall and bright LEDs keep the spotlight on your food.

Metal door bins, split shelves and three-tier freezer drawers to help you organize the way you want.

Full width deli drawer can accommodate large charcuterie or veggie platters for when you're ready to serve.

Internal water dispenser with UltraClarityPro® filter removes over 99.9% of impurities.

Dimensions and Weight	
Overall width (inches)	35 1/4"
Overall height (inches)	83 9/16" Min. – 85 1/2" Max.
Overall depth with doors and handles (inches)	26 7/8"
Overall depth without doors and handles (inches)	24"
Required cutout size (HxWxD) (inches)	84" x 35 1/2"–36" x 24"
Net /gross weight (approx.) (lbs.)	577.4 / 621.5

Style	
Door panel style	Stainless Steel
Handle style	Bar Handle
Interior finish	SS Backwall
Number of doors	3

Innovation	
Wi-Fi-enabled for control with Home Connect® app	Yes
Remote monitoring and control	Yes
Remote system upgrade	Yes

Performance	
VitaFresh®	Yes
Evaporators / Compressors	2 / 2
Quick Ice	Yes
Automatic defrosting	Yes
Modes: Normal, Vacation, Eco, Sabbath, Shopping, Demo, SuperCool, SuperFreeze®	
Internal water dispenser	Yes
One Touch BottleFill	Yes
Water filter (6 months)	Yes
AirFresh® filter	Yes
Ethylene filter (6 months)	Yes

Capacity and Storage	
Total capacity (cu. ft.)	20.1
Refrigerator capacity (cu. ft.)	13.2
Freezer capacity (cu. ft.)	6.9
Full-extension freezer storage drawer	Yes
Tiered freezer drawer	3-Tier
Full extension deli drawer	1
Full extension VitaFresh® drawers	2

VitaFresh® drawer modes (°F/humidity): Vegetables (32°F/high), Fruit (32°F/low) Meat (30°F/low), Fish (30°F/low), Deli (34°F/low), Cheese (35°F/low), Beverages (34°F/low), Mixed (32°F/low), Charcuterie (35°F/low)

Door bins	4 Adjustable, 2 Fixed
-----------	-----------------------

General Features	
Color touchscreen control panel	Yes
Water filter replacement indicator	Yes
Ice maker	Yes
Ice On / Off	Yes
Ice production (24 hrs.), ice cubes (lbs.)	5.5
Ice storage capacity (lbs.)	6.6
LED interior and drawer lighting	Yes
Independent cooling systems	2
Door alarm	Yes
Childproof lock	Yes
Cooling system	MultiAirFlow™
Maximum sound level	39 dBA
Star-K certified Sabbath mode	TBD



*As compared to a Bosch refrigerator without VitaFresh®. Results may vary among different foods.

Accessories: To purchase Bosch accessories, cleaners & parts please visit www.bosch-home.com/us/store or call 1-800-944-2904 (Mon to Fri 5 am to 6 pm PST, Sat 6 am to 3 pm PST).

Notes: All height, width and depth dimensions are shown in inches. BSH reserves the absolute and unrestricted right to change product materials and specifications, at any time, without notice. Consult the product's installation instructions for final dimensional data and other details prior to making cutout.

Warranties: Please see Use & Care manual or Bosch website for statement of limited warranty.

For more information on our entire line of products, go to www.bosch-home.com/us or call 1-800-944-2904

© BSH Home Appliances Corporation. All rights reserved. Bosch is a registered trademark of Robert Bosch GmbH.

36" Built-In Bottom-Freezer



Benchmark® Series – Stainless Steel B36BT130NS

Energy Efficiency

ENERGY STAR® Certified Yes

Energy consumption (kWh / yr) 599

Operating Temperature

Refrigerator: 33°F (1°C) to 43°F (6°C)

Freezer Drawer: -11°F (-24°C) to -6°F (-21°C) to 6°F (-14°C)

VitaFresh® Drawer: 10 preset modes

SuperCool: 34°F (1°C) for approx. 8 hours

SuperFreeze®: -15°F (-26°C) for approx. 8 hrs.

Installation Features

Four point front adjustable with 4 wheels Yes

Attachment method to cabinetry 4 fixation brackets, Fixed at 4 corners of appliance, no visible screws

Front serviceable Yes

Anti-tip bracket included Yes

Frame kit included Yes

Technical Specs

Required power supply 110-120 V, 60 Hz, 10 Amp Min.

Plug type 120V-3 Prong

Power cord length (in.) 118"

Warranty

Limited warranty, parts & labor 1 Year

Limited warranty, non-electronic parts (parts only, no labor) 2 Years

Electronic parts (parts only, no labor) 5 Years

Lifetime Limited: Stainless steel door if rust-through occurs (parts only, no labor) Lifetime

Optional Accessories



BORPLFTR55
Replacement UltraClarityPro® water filter



11037377
Water filter bypass (part no.)



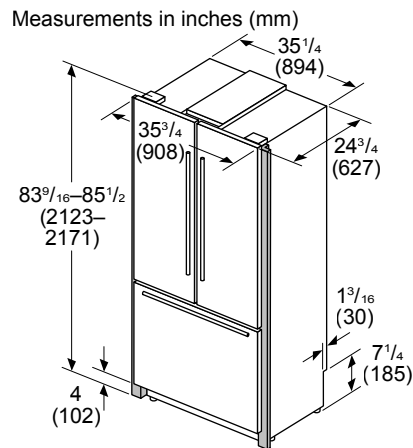
17006999
Replacement ethylene starter kit (part no.)



17007000
Replacement ethylene filter packets (part no.)

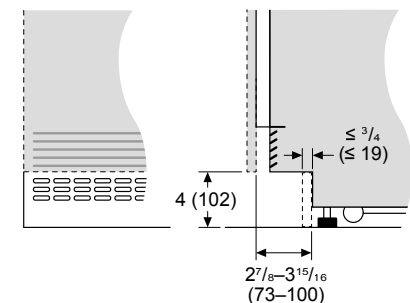
Installation Details

Product Dimensions



Base Detail Dimensions

Measurements in inches (mm)



Accessories: To purchase Bosch accessories, cleaners & parts please visit www.bosch-home.com/us/store or call 1-800-944-2904 (Mon to Fri 5 am to 6 pm PST, Sat 6 am to 3 pm PST).

Notes: All height, width and depth dimensions are shown in inches. BSH reserves the absolute and unrestricted right to change product materials and specifications, at any time, without notice. Consult the product's installation instructions for final dimensional data and other details prior to making cutout.

Warranties: Please see Use & Care manual or Bosch website for statement of limited warranty.

For more information on our entire line of products, go to www.bosch-home.com/us or call 1-800-944-2904

© BSH Home Appliances Corporation. All rights reserved. Bosch is a registered trademark of Robert Bosch GmbH.

36" Built-In Bottom-Freezer



Benchmark® Series – Stainless Steel B36BT130NS

Installation Details

Proud Install Top View Clearance

Measurements in inches (mm)

Proud Install Cutout Dimensions

Measurements in inches (mm)

C1

C2

A: Outlet
B: Area for water and electric line routing
C: Furniture return
 C1: Frameless cabinet
 C2: Framed cabinet
D: Filler

Flush Install Top View Clearance

Measurements in inches (mm)

Flush Install Cutout Dimensions

Measurements in inches (mm)

C1

C2

A: Outlet
B: Area for water and electric line routing
C: Furniture return
 C1: Frameless cabinet
 C2: Framed cabinet
D: Filler

Accessories: To purchase Bosch accessories, cleaners & parts please visit www.bosch-home.com/us/store or call 1-800-944-2904 (Mon to Fri 5 am to 6 pm PST, Sat 6 am to 3 pm PST).

Notes: All height, width and depth dimensions are shown in inches. BSH reserves the absolute and unrestricted right to change product materials and specifications, at any time, without notice. Consult the product's installation instructions for final dimensional data and other details prior to making cutout.

Warranties: Please see Use & Care manual or Bosch website for statement of limited warranty.

For more information on our entire line of products, go to www.bosch-home.com/us or call 1-800-944-2904

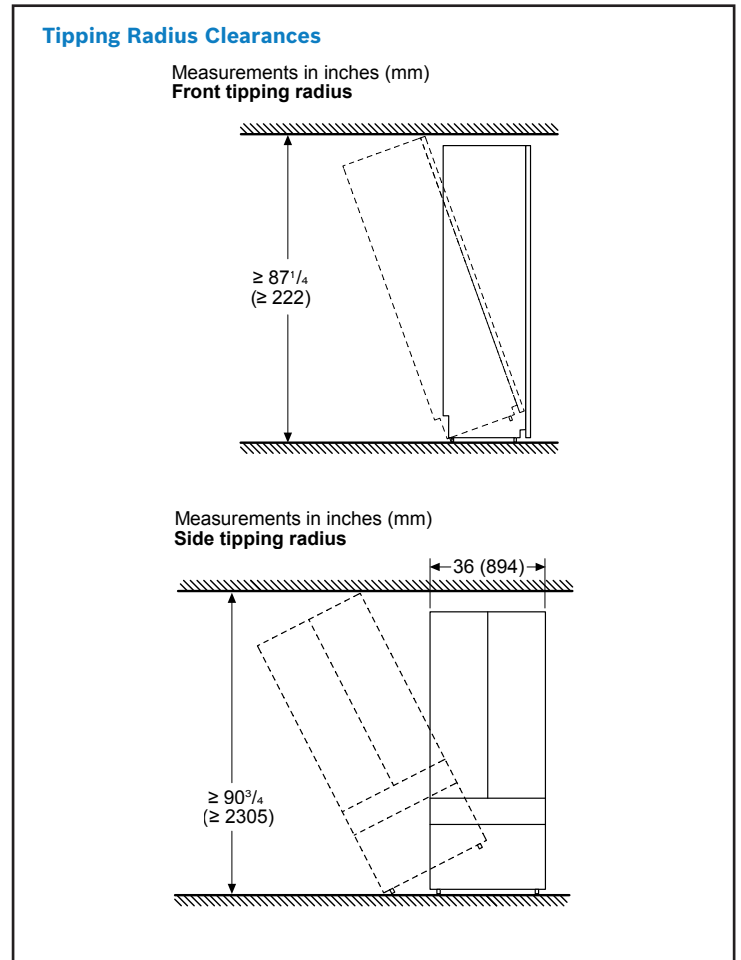
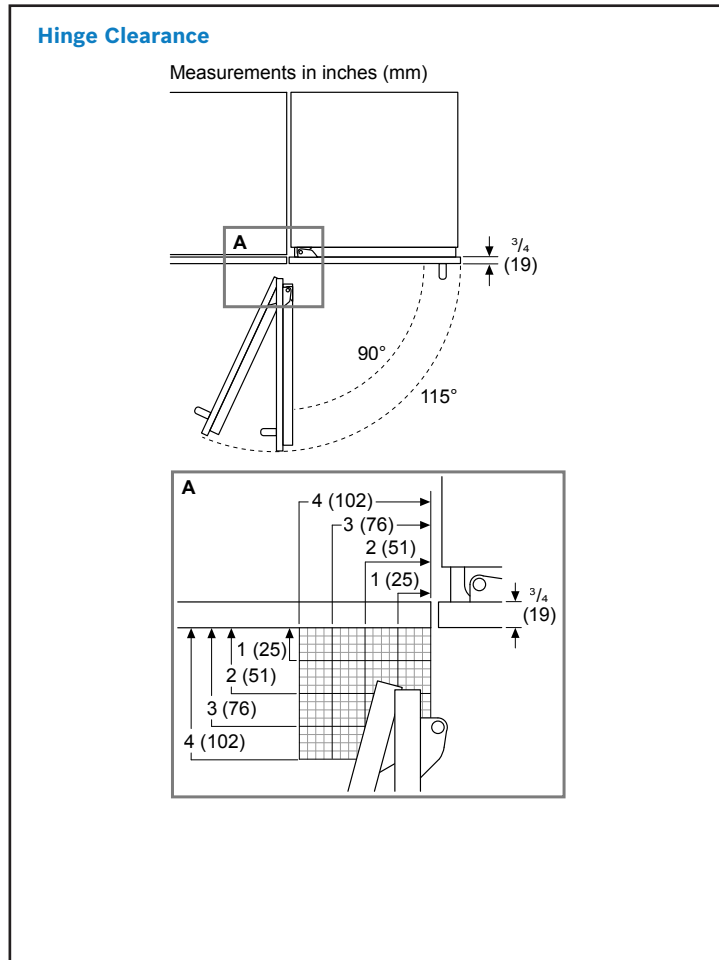
© BSH Home Appliances Corporation. All rights reserved. Bosch is a registered trademark of Robert Bosch GmbH.

36" Built-In Bottom-Freezer



Benchmark® Series – Stainless Steel B36BT130NS

Installation Details



Accessories: To purchase Bosch accessories, cleaners & parts please visit www.bosch-home.com/us/store or call 1-800-944-2904 (Mon to Fri 5 am to 6 pm PST, Sat 6 am to 3 pm PST).

Notes: All height, width and depth dimensions are shown in inches. BSH reserves the absolute and unrestricted right to change product materials and specifications, at any time, without notice. Consult the product's installation instructions for final dimensional data and other details prior to making cutout.

Warranties: Please see Use & Care manual or Bosch website for statement of limited warranty.

For more information on our entire line of products, go to www.bosch-home.com/us or call 1-800-944-2904

© BSH Home Appliances Corporation. All rights reserved. Bosch is a registered trademark of Robert Bosch GmbH.