

Register your
appliance and join
the Bosch
family of perks:
[bosch-home.com/us/
mybosch](https://bosch-home.com/us/mybosch)



Freezer refrigerator

B24...80

[en-us]	Use and Care Manual	Freezer refrigerator	2
[fr-ca]	Manuel d'utilisation	Réfrigérateur / congélateur combiné	22

Table of contents

1 Safety	3	11 Refrigerator compartment	12
1.1 Safety definitions.....	3	11.1 Tips for storing food in the refrigerator compartment	12
1.2 General information.....	3	11.2 Chill zones in the refrigerator compartment.....	13
1.3 Intended use	3	12 Freezer compartment	13
1.4 Restrictive Use.....	3	12.1 Tips for storing food in the freezer compartment	13
1.5 Safe transport	3	12.2 Tips for freezing fresh food	13
1.6 Safe installation.....	3	12.3 Defrosting methods for frozen food	13
1.7 Safe use.....	4	13 Water system	13
1.8 Damaged appliance	5	13.1 Water filter	13
1.9 State of California Proposition 65 Warnings	5	13.2 Water dispenser.....	14
2 Preventing material damage	6	13.3 Ice maker	14
3 Environmental protection and energy-saving	6	14 Defrosting	15
3.1 Disposal of packaging	6	14.1 Defrosting in the freezer compartment	15
3.2 Saving energy	6	15 Cleaning and maintenance	15
4 Installation and connection	6	15.1 Preparing the appliance for cleaning	15
4.1 Included in delivery	6	15.2 Cleaning the appliance	15
4.2 Criteria for the installation location	6	15.3 Removing the fittings	16
4.3 Installing the appliance.....	6	15.4 Removing the appliance components	17
4.4 Preparing the appliance for first use.....	6	16 Troubleshooting	18
4.5 Connecting the appliance to the electricity supply	7	17 Storage and disposal	20
5 Familiarizing yourself with your appliance	8	17.1 Taking the appliance out of operation	20
5.1 Appliance	8	17.2 Disposal of your old appliance	21
5.2 Control panel.....	9	18 Customer Service	21
6 Features	9	18.1 Model number (E-Nr.), production number (FD) and consecutive numbering (Z-Nr.).....	21
6.1 Shelf	9	19 Technical specifications	21
6.2 Storage container.....	9	19.1 Information regarding Free and Open Source Software	21
6.3 Fruit and vegetable container with humidity controller.....	10		
6.4 Variable door rack.....	10		
6.5 Ice storage container.....	10		
7 Basic Operation	10		
7.1 Switching on the appliance.....	10		
7.2 Operating tips.....	10		
7.3 Switching off the appliance.....	10		
7.4 Setting the temperature.....	10		
8 Additional functions	10		
8.1 Super cooling	10		
8.2 Super freezing.....	11		
8.3 Sabbath mode.....	11		
9 Alarm	11		
9.1 Door alarm	11		
9.2 Temperature alarm.....	11		
10 Home Connect®	11		
10.1 Setting up Home Connect®.....	12		
10.2 Switching on the connection to the WLAN home network (Wi-Fi).....	12		
10.3 Switching off the connection to the WLAN home network (Wi-Fi).....	12		
10.4 Installing updates for the Home Connect® software	12		
10.5 Resetting the Home Connect® settings	12		
10.6 Data Protection	12		



IMPORTANT SAFETY INSTRUCTIONS

READ AND SAVE THESE INSTRUCTIONS

Observe the following safety instructions.

1.1 Safety definitions

Here you can find explanations of the safety signal words used in this manual.

WARNING

This indicates that death or serious injuries may occur as a result of non-observance of this warning.

CAUTION

This indicates that minor or moderate injuries may occur as a result of non-observance of this warning.

NOTICE:

This indicates that damage to the appliance or property may occur as a result of non-compliance with this advisory.

Note: This alerts you to important information and/or tips.

1.2 General information

- Read this manual carefully.
- Keep the manual and the product information in a safe place for future reference or for the next owner.
- Do not connect the appliance if it has been damaged in transit.

1.3 Intended use

Only use this appliance:

- for chilling and freezing food, making ice and dispensing water.
- In private households and in enclosed spaces in a residential environment.
- Up to an altitude of 6560 ft (2000 m) above sea level.

1.4 Restrictive Use

This appliance is not intended for use by persons (including children) with reduced physical, sensory or mental capabilities, or lack of experience and knowledge, unless they have been given supervision or instruction concerning use of the appliance by a person responsible for their safety.

Do not let children play with the appliance.

Cleaning and user maintenance must not be performed by children unless they are being supervised.

1.5 Safe transport

WARNING

The high weight of the appliance may result in injury when lifted.

- ▶ Do not lift the appliance on your own.

1.6 Safe installation

WARNING

Incorrect installation is dangerous.

- ▶ Connect and operate the appliance only in accordance with the specifications on the rating plate.
- ▶ Connect the appliance to a power supply with alternating current only via a correctly installed socket outlet with grounding.
- ▶ The protective conductor system of the domestic electrical installation must be properly installed.
- ▶ Never equip the appliance with an external switching device, e.g. a timer or remote control.
- ▶ When the appliance is installed, the mains plug of the power cord must be freely accessible. If free access is not possible, an isolating switch must be integrated into the permanent electrical installation according to the installation regulations.
- ▶ When installing the appliance, check that the power cord is not trapped or damaged.

If the insulation of the power cord is damaged, that can be dangerous.

- ▶ Never let the power cord come into contact with heat sources.

WARNING

If the appliance's ventilation openings are sealed, a leak in the refrigeration circuit may result in a flammable mixture of gas and air.

- ▶ Keep ventilation openings, in the appliance enclosure or in the built-in structure, clear of obstruction.

WARNING

It is dangerous to use an extended power cord and non-approved adapters.

- ▶ Do not use extension cords or multiple socket strips.
- ▶ Only use adapters and power cords approved by the manufacturer.



IMPORTANT SAFETY INSTRUCTIONS

READ AND SAVE THESE INSTRUCTIONS

- ▶ If the power cord is too short and a longer one is not available, please contact an electrician to have the domestic installation adapted.

Portable multiple socket strips or portable power supply units may overheat and cause a fire.

- ▶ Do not place portable multiple socket strips or power supply units on the back of the appliance.

1.7 Safe use

WARNING

Moisture intrusion may cause an electric shock.

- ▶ Use the appliance in enclosed spaces only.
- ▶ Never expose the appliance to intense heat or humidity.
- ▶ Do not use any steam cleaners or high-pressure cleaners to clean the appliance.

WARNING

Children may pull packaging material over their heads, or wrap themselves up in it and suffocate.

- ▶ Keep packaging material away from children.
 - ▶ Do not allow children to play with packaging material.
- Children may breathe in or swallow small parts, causing them to suffocate.
- ▶ Keep small parts away from children.
 - ▶ Do not allow children to play with small parts.

WARNING

If the cooling circuit is damaged, flammable refrigerant may escape and explode.

- ▶ To accelerate the defrosting process, do not use any other mechanical devices or means other than those recommended by the manufacturer.
- ▶ If food is stuck to the freezer compartment, loosen it with a blunt implement such as the handle of a wooden spoon.

Products which contain flammable propellants and explosive substances may explode, e.g. spray cans.

- ▶ Do not store products which contain flammable propellants (e.g. spray cans) or explosive substances in the appliance.

WARNING

Electrical devices within the appliance may cause a fire, e.g. heaters or electric ice makers.

- ▶ Do not operate electrical devices within the appliance.

WARNING

Containers which contain carbonated drinks may burst.

- ▶ Do not store containers which contain carbonated drinks in the freezer compartment.

Injury to the eyes caused by escaping flammable refrigerant and hazardous gases.

- ▶ Do not damage the tubes of the refrigerant circuit or the insulation.

The appliance may tip.

- ▶ Do not stand or lean on the base, runners or doors.

WARNING

Individual parts on the back of the appliance become hot during operation.

- ▶ Never touch these hot parts.

WARNING

Contact with frozen food and cold surfaces may cause burns by refrigeration.

- ▶ Never put frozen food straight from the freezer compartment into your mouth.
- ▶ Avoid prolonged skin contact with frozen food, ice and surfaces in the freezer compartment.

CAUTION

To prevent food from being contaminated, you must observe the following instructions.

- ▶ Leaving the door open for an extended period of time may lead to a considerable temperature increase in the compartments of the appliance.
 - ▶ Regularly clean the surfaces that may come into contact with food and accessible drain systems.
 - ▶ If water has not been dispensed for 5 days, flush the water system.
 - ▶ Store raw meat and fish in suitable containers in the refrigerator so that they do not touch or drip on other food.
 - ▶ If the fridge/freezer is empty for an extended period of time, switch off the appliance, defrost it, clean it and leave the door open to prevent the formation of mold.
- Metal or metal-style parts in the appliance may contain aluminum. If acidic food comes into contact with aluminum in the appliance, aluminum ions may pass into the food.
- ▶ Do not consume soiled food.



IMPORTANT SAFETY INSTRUCTIONS

READ AND SAVE THESE INSTRUCTIONS

1.8 Damaged appliance

WARNING

If the appliance or the power cord is damaged, this is dangerous.

- ▶ Never operate a damaged appliance.
- ▶ Never pull on the power cord to unplug the appliance. Always unplug the appliance at the power outlet.
- ▶ If the appliance or the power cord is damaged, immediately unplug the power cord or switch off the breaker in the circuit breaker box.
- ▶ Call Customer Service. → *Page 21*

Improper repairs are dangerous.

- ▶ Only original spare parts may be used to repair the appliance.
- ▶ If the power cord of this appliance becomes damaged, it must be replaced by the manufacturer, the manufacturer's Customer Service, or an authorized service provider in order to prevent injury.

WARNING



If the tubes are damaged, flammable refrigerant and harmful gases may escape and ignite.

- ▶ Keep open flames and ignition sources away from the appliance.
- ▶ Ventilate the room.
- ▶ Switch off the appliance. → *Page 10*
- ▶ Unplug the appliance from the power source or switch off the circuit breaker in the fuse box.
- ▶ Call Customer Service. → *Page 21*

1.9 State of California Proposition 65 Warnings

This product may contain a chemical known to the State of California, which can cause cancer or reproductive harm. Therefore, the packaging of your product may bear the following label as required by California:

**STATE OF CALIFORNIA PROPOSITION 65 WARNING: /
AVERTISSEMENT ISSUE DE LA PROPOSITION 65
DE L'ÉTAT DE LA CALIFORNIE:**



**WARNING /
AVERTISSEMENT**

Cancer and Reproductive Harm / Cancer et dommages à la reproduction - www.P65Warnings.ca.gov.

2 Preventing material damage

NOTICE:

If not rolling in a straight line, the appliance's castors may damage the floor when the appliance is moved.

- ▶ Transport the appliance using a hand-cart.
- ▶ Use floor protection when moving the appliance, and do not move it in a zigzag fashion.

Using the base, runners or appliance doors as a seat or climbing surface may damage the appliance.

- ▶ Do not stand or lean on the base, runners or doors.
- Contamination with oil or fat may cause plastic parts and door seals to become porous.
- ▶ Keep plastic parts and door seals free of oil and grease.
- Metal or metal-style parts in the appliance may contain aluminum. Aluminum reacts when it comes into contact with acidic foods.
- ▶ Do not store unpackaged food in the appliance.

3 Environmental protection and energy-saving

3.1 Disposal of packaging

The packaging materials are environmentally compatible and can be recycled.

- ▶ Sort the individual components by type and dispose of them separately.

3.2 Saving energy

If you follow these instructions, your appliance will use less power.

Selecting the installation location

- Keep the appliance out of direct sunlight.
- Install the appliance as far away as possible from heating elements, stoves and other heat sources:
 - Maintain a 1¹/₄" (30 mm) clearance to electric or gas stoves.
 - Maintain an 11¹³/₁₆" (300 mm) clearance to oil or solid-fuel stoves.
- Make sure there is a small gap between the side wall and the appliance.
- Never cover or block the external ventilation openings.

Saving energy during use

Note: The arrangement of the fittings does not affect the energy consumption of the appliance.

- Open the appliance only briefly and then close it carefully.
- Never cover or block the interior ventilation openings or the exterior ventilation openings.
- Transport purchased food in a cooler and place quickly in the appliance.
- Allow warm food and drinks to cool down before storing them.
- Thaw frozen food in the refrigerator compartment to utilize the low temperature of the food.

¹ Depending on the appliance specifications

² Not in all countries

- Always leave some space between the food and to the back panel.

4 Installation and connection

4.1 Included in delivery

After unpacking all the parts, check for any damage in transit and for completeness of delivery.

If you have any complaints, contact your dealer or our Customer Service → *Page 21*.

The delivery consists of the following:

- Free-standing appliance
- Equipment and accessories¹
- Installation instructions
- User manual
- Explanation of the limited product warranty
- Warranty enclosure²
- Energy label
- Information on energy consumption and noises
- Information about Home Connect®

4.2 Criteria for the installation location

⚠ WARNING

If the appliance is in a space that is too small, a leak in the refrigeration circuit may result in a flammable mixture of gas and air.

- ▶ Only install the appliance in a space with a volume of at least 35 ft³ (1 m³) per 0.3 oz (8 g) refrigerant. The amount of refrigerant is indicated on the rating label.
→ "Appliance", Fig. 1/7, Page 8

The weight of the appliance from factory may be up to 265 lbs (120 kg) depending on the model.

The subfloor must be sufficiently stable to bear the weight of the appliance.

Over-and-under and side-by-side installation

If you want to install 2 refrigerating appliances one over the other or side by side, you must maintain a clearance of at least 150 mm between the appliances. Selected appliances can be installed without a minimum clearance. Ask your dealer or kitchen planner about this.

4.3 Installing the appliance

- ▶ Install the appliance in accordance with the enclosed installation instructions.

4.4 Preparing the appliance for first use

1. Remove the information material.
2. Remove the protective film and transit bolts, e.g. remove the adhesive strips and cardboard.
3. Clean the appliance for the first time. → *Page 15*

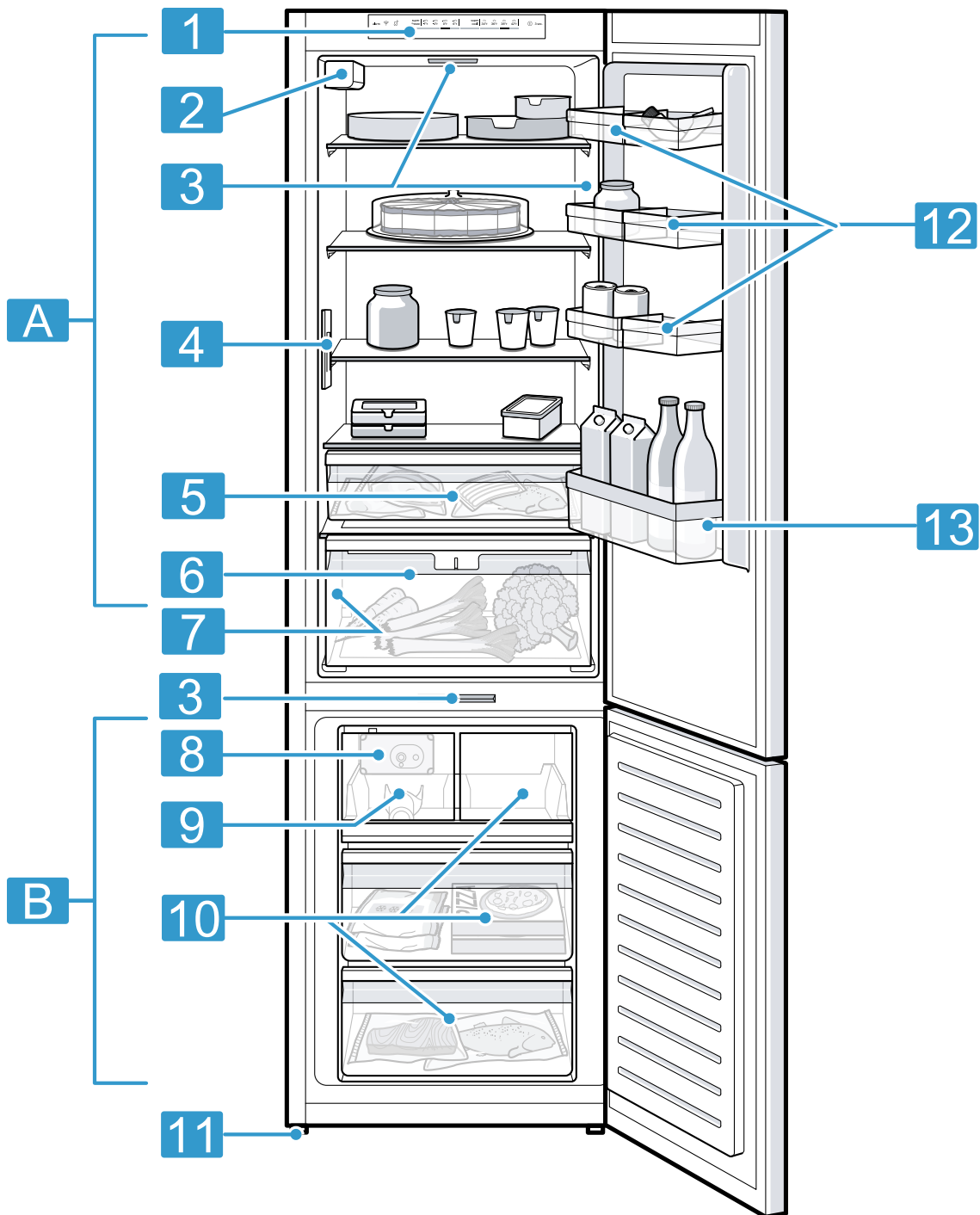
4.5 Connecting the appliance to the electricity supply

1. Insert the power plug of the appliance's power cord in a socket outlet nearby.
The connection data of the appliance can be found on the rating plate. → "Appliance", Fig. **1/7**, Page 8
 2. Check the power plug is inserted properly.
- ✓ The appliance is now ready to use.

5 Familiarizing yourself with your appliance

5.1 Appliance

Here you can find an overview of the parts of your appliance.



1

A Refrigerator compartment → *Page 12*

B Freezer compartment → *Page 13*

1 Control panel → *Page 9*

2 Water filter → *Page 13*

3 Lighting

4 Water dispenser → *Page 14*

5 Storage container → *Page 9*

6 Fruit and vegetable container with humidity controller → *Page 10*

7 Rating label → *Page 21*

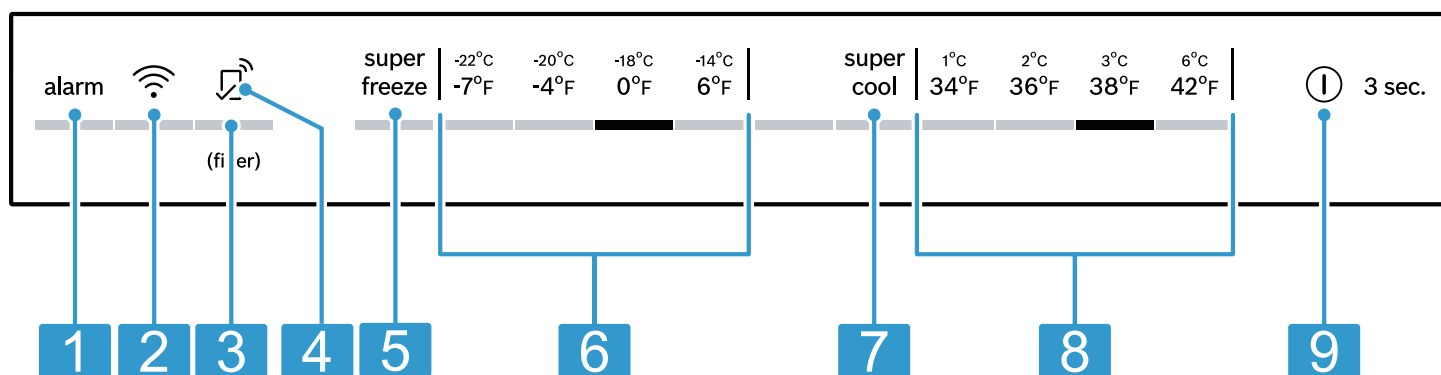
8	Ice cube maker → Page 14
9	Ice storage container → Page 10
10	Frozen food container → Page 16
11	Screw foot

12	Variable door rack → Page 10
13	Door rack for large bottles

Note: Your appliance may differ from the diagrams with regard to features and dimensions.

5.2 Control panel

You can use the control panel to configure all functions of your appliance and to obtain information about the operating status.



2	
1	alarm off switches the warning signal off.
2	switches the connection to the WLAN home network (Wi-Fi) on or off.
3	(filter) flashes when the filter needs to be replaced.
4	☑ lights up if user-defined settings have been set via the Home Connect® app. You can find more information in the Home Connect® app.
5	super freeze switches Super freezing on or off.
6	Displays the set temperature for the freezer compartment in °F or °C.
7	super cool switches Super cooling on or off.
8	Displays the set temperature for the refrigerator compartment in °F or °C.
9	ⓘ 3 sec. switches the appliance on or off.

6 Features

The features of your appliance depend on the model.

6.1 Shelf

To vary the shelf as required, you can remove the shelf and re-insert it elsewhere.

→ "Removing the shelf", Page 16

6.2 Storage container

The temperatures in the storage container are lower than in the refrigerator compartment. Temperatures below 32 °F (0 °C) may occur occasionally.

In order to reach temperatures close to 32 °F (0 °C) in the storage container, set the refrigerator compartment temperature to 34 °F (2 °C). → Page 10

Use the lower temperatures in the storage container to store highly perishable food, e.g. fish, meat and sausages.

6.3 Fruit and vegetable container with humidity controller

Store fresh fruit and vegetables loose in the fruit and vegetable container.

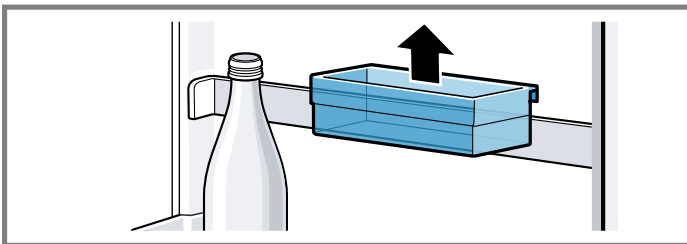
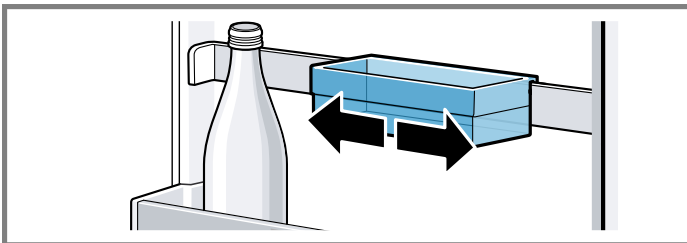
Cover any chopped fruit and vegetables, or store in airtight packaging.

Condensation may form in the fruit and vegetable container depending on the food and quantity stored.

Remove the condensation with a dry cloth and adjust the air humidity to a lower setting using the humidity controller. To ensure that the quality and aroma are retained, store fruit and vegetables that are sensitive to cold outside of the appliance at temperatures of approximately 46 °F (8 °C) to 54 °F (12 °C), e.g. pineapple, bananas, citrus fruits, cucumbers, zucchinis, bell peppers, tomatoes and potatoes.

6.4 Variable door rack

To adjust the variable door rack as required, you can move or remove the variable door rack, and re-insert it elsewhere.



You can remove the door rack rail and re-insert it elsewhere.

→ "Removing the door rack rail", Page 17

6.5 Ice storage container

If ice cube production is switched on, the ice cubes are automatically stored in the ice storage container.

NOTICE:

The ice maker may become blocked or damaged by food or objects stored in the ice storage container.


- ▶ Never store food or objects in the ice storage container.

7 Basic Operation

7.1 Switching on the appliance

1. Connect the appliance to the electricity supply.

→ Page 7


Note: If the appliance has been previously switched off using the control panel, press and hold  3 sec. for 3 seconds.

- ✓ The appliance begins to cool.
 - ✓ A warning tone sounds and the temperature display (freezer compartment) and alarm off flash because the freezer compartment is still too warm.
2. Switch off the warning tone using alarm off.
 - ✓ alarm off goes out as soon as the set temperature has been reached.
 3. Set the required temperature. → Page 10

7.2 Operating tips

- Once you have switched on the appliance, the set temperature is only reached after several hours. Do not put any food in the appliance until the set temperature has been reached.
- The front panels of the housing are temporarily heated slightly. This prevents condensation in the area of the door seal.
- When you close the door, a vacuum may be created. The door is then difficult to open again. Wait a moment until the vacuum is offset.

7.3 Switching off the appliance

- ▶ Press and hold  3 sec. for 3 seconds.

7.4 Setting the temperature

Tip: Via the Home Connect® app, you can set temperatures that are not shown on the control panel.

Setting the refrigerator compartment temperature

- ▶ Press the required temperature.

The recommended temperature in the refrigerator compartment is 37 °F (3 °C).

Setting the freezer compartment temperature

- ▶ Press the required temperature.

The recommended temperature in the freezer compartment is 0 °F (-18 °C).

8 Additional functions

Find out which additional functions can be used for your appliance. Additional functions can be set via the Home Connect® app.

8.1 Super cooling

With Super cooling, the refrigerator compartment cools as cold as possible.

Switch on Super cooling before placing large quantities of food.

Note: When Super cooling is switched on, increased noise may occur.

Switching on Super cooling

- ▶ Press super cool
- ✓ super cool lights up.

Note: After approximately 6 hours, the appliance switches to normal operation.

Switching off Super cooling

- ▶ Press super cool.

8.2 Super freezing

With Super freezing, the freezer compartment cools as cold as possible.

Switch on Super freezing 4 to 6 hours before placing food weighing 4.4 lbs (2 kg) or more into the freezer compartment.

Note: When Super freezing is switched on, increased noise may occur.

Switching on Super freezing

- ▶ Press super freeze.
- ✓ super freeze lights up.

Note: After approximately 54 hours, the appliance switches to normal operation.

Switching off Super freezing

- ▶ Press super freeze.

8.3 Sabbath mode

To ensure that you can also use the appliance on the Sabbath, the Sabbath mode switches off all non-essential functions.

During Sabbath mode, the following functions are switched off:

- Super cooling
- Super freezing
- Alarm
- Water dispensing
- Ice cube production
- Interior lighting
- Audible signals
- Messages on the control panel

Note: The control panel lighting is switched off during the Sabbath mode. super freeze lights up at a reduced brightness level.

Switching on Sabbath mode

- ▶ Press and hold super freeze for 15 seconds until an audible signal sounds.
- ✓ super freeze lights up.

Note: After approximately 80 hours, the appliance switches to normal operation.

Switching off Sabbath mode

- ▶ Press and hold super freeze for 15 seconds until an audible signal sounds.

9 Alarm

9.1 Door alarm

If the appliance door is open for a while, the door alarm switches on.

A warning tone sounds, alarm off flashes and the set temperature for the affected compartment flashes.

Switching off the door alarm

- ▶ Close the appliance door or press alarm off.
- ✓ The warning tone is switched off.

9.2 Temperature alarm

If the freezer compartment becomes too warm, the temperature alarm will switch on.

A warning tone sounds and the set temperature (freezer compartment) and alarm off flash.

CAUTION

During the thawing process, bacteria may multiply and spoil the frozen food.

- ▶ Do not refreeze partly or completely thawed food.
- ▶ Refreeze food only after cooking.
- ▶ The frozen items should no longer be stored for the maximum storage period.

The temperature alarm can be switched on in the following cases:

- The appliance is switched on. Do not store any food until the appliance has reached the set temperature.
- Large quantities of fresh food are being placed inside. Switch on Super freezing before placing large quantities of food in the appliance.
- The freezer compartment door is open for too long. Check whether the frozen food has defrosted or thawed.

Switching off the temperature alarm

- ▶ Press alarm off.
- ✓ The warning tone is switched off.

10 Home Connect®

This appliance is network-capable. Connecting your appliance to a mobile device lets you control its functions via the Home Connect® app.

The Home Connect® services are not available in every country. The availability of the Home Connect® function depends on the availability of Home Connect® services in your country. You can find information on this at: www.home-connect.com.

To be able to use Home Connect®, you must first set up the connection to the WLAN home network (Wi-Fi¹) and to the Home Connect® app.

After switching on the appliance, wait at least 2 minutes until internal device initialization is complete. Only then should you set up Home Connect®.

¹ Wi-Fi is a registered trade mark of the Wi-Fi Alliance.

The Home Connect® app guides you through the entire registration process. Follow the instructions in the Home Connect® app to implement the settings.

Tips

- Consult the Home Connect® documents supplied.
- Follow the instructions in the Home Connect® app as well.

Notes

- Also note the safety information in this instruction manual and ensure that it is also observed when operating the appliance using the Home Connect® app.
 - "Safety", Page 3
- Operating the appliance on the appliance itself always takes priority. It is not possible to operate the appliance using the Home Connect® app during this time.

10.1 Setting up Home Connect®

Requirements

- The mobile device supports the Bluetooth standard 4.2 or higher.
- The Home Connect® app has been installed on your mobile device.

1. Scan the QR code using the Home Connect® app.



2. Follow the instructions in the Home Connect® app.

10.2 Switching on the connection to the WLAN home network (Wi-Fi)

- ▶ Press .

10.3 Switching off the connection to the WLAN home network (Wi-Fi)

- ▶ Press .

10.4 Installing updates for the Home Connect® software

Note: If an update of the Home Connect® software is available, a message appears in the Home Connect® app.

- ▶ To install the update for the Home Connect® software, follow the instructions in the Home Connect® app.
- ✓ The control panel is partially locked during the installation.

10.5 Resetting the Home Connect® settings

If your appliance experiences connection problems with the WLAN home network (Wi-Fi) or your appliance wants to log into a different WLAN home network (Wi-Fi), you can reset the Home Connect® settings.

- ▶ Press and hold for 6 seconds until alarm goes out.

- ✓ The Home Connect® settings have been reset.

10.6 Data Protection

Please see the information on data protection.

The first time your appliance is registered on a home network connected to the Internet, your appliance will transmit the following types of data to the Home Connect® server (initial registration):

- Unique appliance identification (consisting of appliance codes as well as the MAC address of the installed Wi-Fi communication module).
- Security certificate of the Wi-Fi communication module (to ensure a secure data connection).
- The current software and hardware version of your appliance.
- Status of any previous reset to factory settings.

This initial registration prepares the Home Connect® functions for use and is only required when you want to use the Home Connect® functions for the first time.

Note: Please note that the Home Connect® functions can be utilized only with the Home Connect® app. Information on data protection can be called up in the Home Connect® app.

11 Refrigerator compartment

You can keep dairy products, eggs, prepared meals, pastries, open preserves and hard cheese in the refrigerator compartment.

The temperature can be set from 42 °F (1 °C) to 34 °F (6 °C).

The refrigerator compartment can also be used to store highly perishable foods in the short to medium term. The lower the selected temperature, the longer the food remains fresh.

11.1 Tips for storing food in the refrigerator compartment

- Only store food when fresh and undamaged.
- Store food covered or in air-tight packaging.
- To avoid impeding the circulation of air and to prevent food from freezing, do not place food so that it has direct contact with the back wall.
- Allow hot food and drinks to cool down first before placing in the appliance.
- Observe the best-before date or expiration date specified by the manufacturer.

11.2 Chill zones in the refrigerator compartment

The air circulation in the refrigerator compartment creates different chill zones.

Coldest zone

The coldest zone is in the storage container.

Tip: Store highly perishable food such as fish, sausages and meat in the coldest zone.

Warmest zone

The warmest zone is at the very top of the door.

Tip: Store groceries that do not spoil easily in the warmest zone, e.g. hard cheese and butter. Cheese can then continue to release its flavor and the butter will still be easy to spread.

12 Freezer compartment

You can store frozen food, freeze food and make ice cubes in the freezer compartment.

The temperature can be set from 6 °F (–14 °C) to –7 °F (–22 °C).

Long-term storage of food should be at 0 °F (–18 °C) or lower.

The freezer compartment can be used to store perishable food long-term. The low temperatures slow down or stop the spoilage.

12.1 Tips for storing food in the freezer compartment

- Store food in air-tight packaging.
- Do not bring food which is to be frozen into contact with frozen food.
- Place the food over the whole area of the frozen food containers.
- To quickly and gently freeze larger quantities of fresh food, place this in the bottom frozen food container.
- To ensure that the air can circulate freely in the appliance, push the frozen food containers in as far as they will go.

12.2 Tips for freezing fresh food

- Freeze fresh and undamaged food only.
- Freeze food in portions.
- Cooked food is more suitable for freezing than food that can be eaten raw.
- Vegetables: Wash, chop up and blanch before freezing.
- Fruit: Wash, pit and perhaps peel, possibly add sugar or ascorbic acid solution.
- Food that is suitable for freezing includes baked items, fish and seafood, meat, game, poultry, eggs without shells, cheese, butter and curd cheese, prepared meals and leftovers.
- Food that is unsuitable for freezing includes lettuce, radishes, eggs in shells, grapes, raw apples and pears, yogurt, sour cream, crème fraîche and mayonnaise.

Packing frozen food

If you select suitable packaging material and the correct type of packaging, you can determine the product quality and prevent freezer burn.

1. Place the food in the packaging.
2. Squeeze out the air.
3. Pack food airtight to prevent it from losing flavor or drying out.
4. Label the packaging with the contents and the date of freezing.

12.3 Defrosting methods for frozen food

⚠ CAUTION

During the thawing process, bacteria may multiply and spoil the frozen food.

- ▶ Do not refreeze partly or completely thawed food.
 - ▶ Refreeze food only after cooking.
 - ▶ The frozen items should no longer be stored for the maximum storage period.
- Defrost animal-based food, such as fish, meat, cheese, curd cheese, in the refrigerator compartment.
 - Defrost bread at room temperature.
 - Prepare food for immediate consumption in the microwave, in the oven, or on the cooktop.

13 Water system

Your appliance is equipped with water-carrying components.

Switch off ice cube production before disconnecting the appliance from the drinking water connection.

13.1 Water filter

The water filter filters particles and the taste of chlorine out of the water.

The water filter reduces further contamination, e.g. from chloramines, lead and pharmaceutical products.

Note: The water filter does not filter bacteria or microbes out of the water.

Change the water filter:

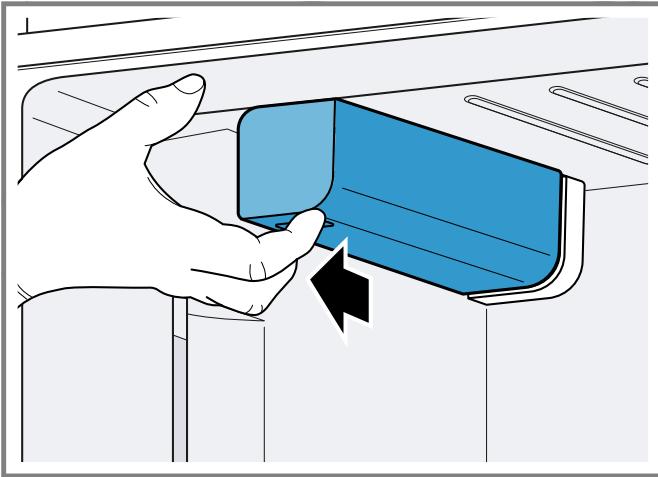
- Every 6 months.
- If (filter) flashes.
- If the water output has visibly reduced.

Tips

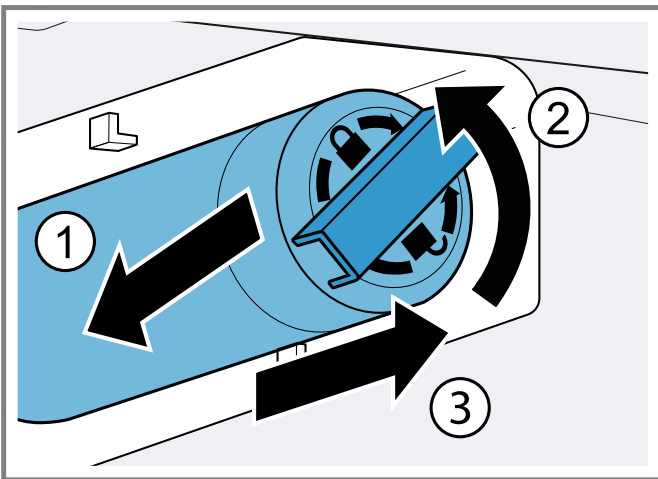
- A new water filter can be purchased from customer service, your dealer or our website.
- If you do not want to use a water filter in your appliance or an external water filter system is installed, you can permanently replace the water filter with a bypass cap. The bypass cap filters only large particles out of the water and can be cleaned as required. A bypass cap can be purchased from customer service or our website.

Changing the water filter or replacing it with a bypass cap

1. Reach into the recess below the filter cover, pull it forward slightly and remove it.



2. Turn the water filter counterclockwise by 90° ① and remove it ②.
 - Remove the water filter with care as it is under pressure.

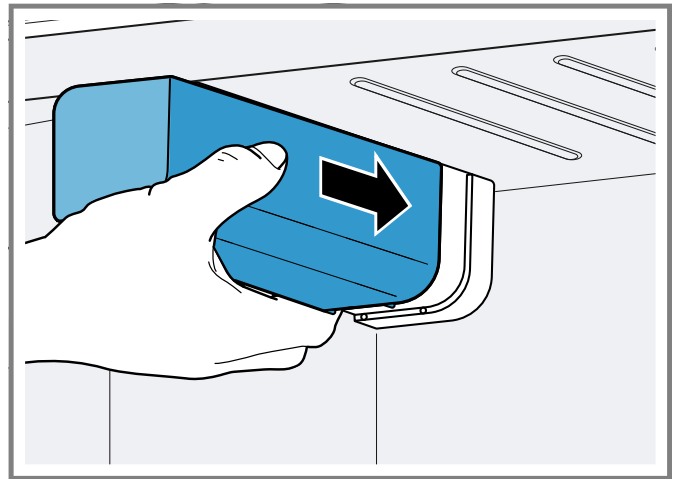


Note: When removing it, a small amount of water may drip out of the water filter. Remove the drips of water with a dry cloth.

Tip: You can dispose of the old water filter with your household garbage.

3. Insert the new water filter or the bypass cap all the way into the filter opening and turn it 90° clockwise all the way.

4. Slide the filter cover over the water filter all the way back.



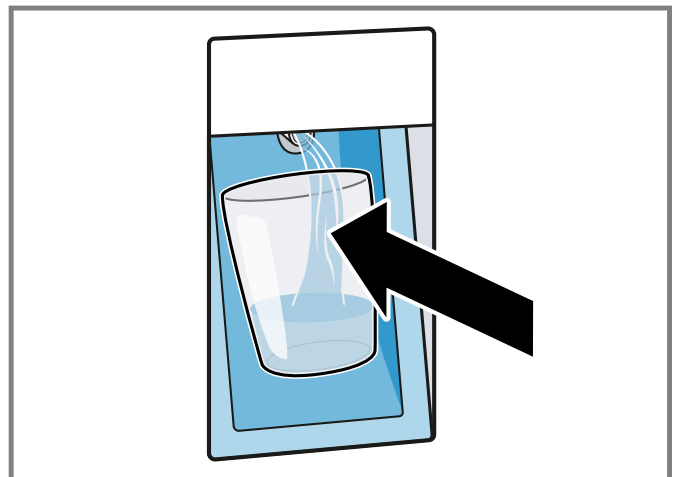
5. Discard the ice cubes produced during the first 24 hours, and dispense water for 5 minutes and discard.

13.2 Water dispenser

Dispense filtered water via the water dispenser.

Dispensing water

- ▶ Press and hold the glass against the dispensing button.
 - If water has not been dispensed for 48 hours, the water may have a "stale" taste.
 - Flush the water system if water has not been drawn for 5 days. To flush the water system, dispense 68 fl oz (2 liters) of water.



13.3 Ice maker

Use the ice maker to produce ice cubes.

⚠ WARNING

- Rotating parts may cause injury.
- ▶ Never reach into or underneath the ice maker.

Note: The ice cube maker automatically detects that the ice storage container is full and stops producing ice cubes. It may take up to 48 hours until the ice storage container is full.

Tip: If the ice cubes taste stale, dispose of the remaining ice cubes and the cubes produced over the next 24 hours. If the ice cubes still taste stale, change the water filter.

Putting the ice maker into operation

Notes

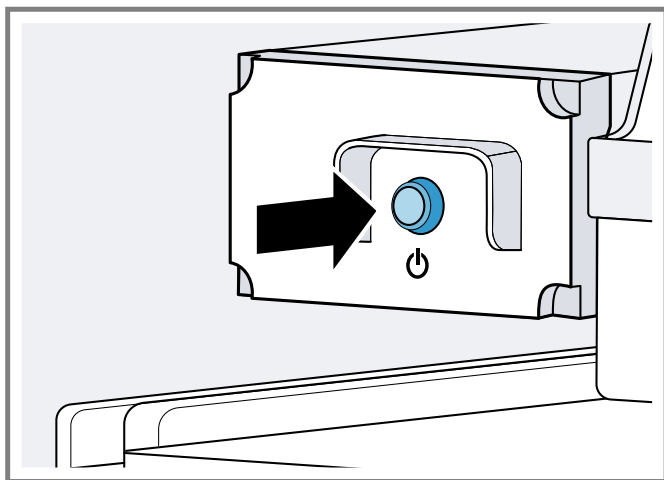
- Ice cube production starts as soon as the appliance is switched on and the freezer compartment has reached the set temperature.
- As soon as the freezer compartment reaches the set temperature, the first batch of ice cubes will be ready in approximately 4 hours.

Requirement: The appliance is connected to the drinking water connection.

- ▶ For hygiene reasons, discard the ice cubes produced within the first 24 hours.

Switching on ice cube production

- ▶ Press the ice cube maker button.

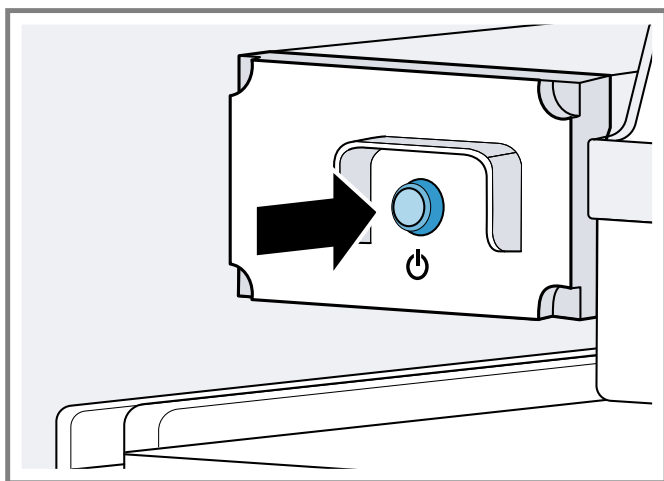


- ✓ The ice maker button lights up.

Note: If you press and hold the ice maker button for 3 seconds, the filter change status is reset.

Switching off ice cube production

- ▶ Press the ice cube maker button.



- ✓ The ice maker button goes out.

Note: If you press and hold the ice maker button for 3 seconds, the filter change status is reset.

14 Defrosting

14.1 Defrosting in the freezer compartment

The fully automatic NoFrost system ensures that the freezer compartment remains frost-free. Defrosting is not required.

15 Cleaning and maintenance

To keep your appliance working efficiently for a long time, it is important to clean and maintain it carefully. Customer Service must clean inaccessible points. Cleaning by Customer Service can give rise to costs.

15.1 Preparing the appliance for cleaning

1. Switch off the appliance. → *Page 10*
2. Disconnect the appliance from the power supply.
 - Unplug the appliance from the power source or switch off the circuit breaker in the fuse box.
3. Take out all of the food and store it in a cool place.
 - Place ice packs (if available) onto the food.
4. Remove all fittings and accessories from the appliance. → *Page 16*
5. Remove the door rack rail. → *Page 17*

15.2 Cleaning the appliance

⚠ WARNING

Moisture intrusion may cause an electric shock.

- ▶ Do not use any steam cleaners or high-pressure cleaners to clean the appliance.

NOTICE:

Unsuitable cleaning agents may damage the surfaces of the appliance.

- ▶ Do not use hard scouring pads or cleaning sponges.
- ▶ Do not use strong or abrasive cleaning agents.
- ▶ Do not use cleaning agents with a high alcohol content.
- ▶ Do not use stainless-steel cleaning agents on the outside of the appliance.

If you clean fittings and accessories in the dishwasher, this may cause them to become deformed or discolored.

- ▶ Never clean fittings and accessories in the dishwasher.

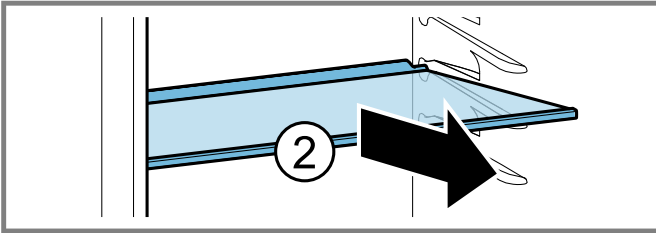
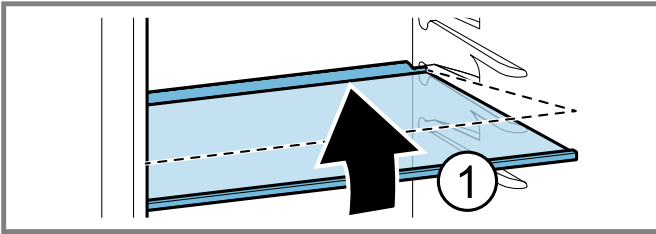
1. Prepare the appliance for cleaning. → *Page 15*
 - Clean the following with a dish cloth, lukewarm water and a little pH-neutral liquid detergent:
 - The outside of the appliance
 - The inside of the appliance
 - The fittings
 - The accessories
 - The door seals
3. Dry thoroughly with a soft, dry cloth.
4. Insert the fittings and install the appliance components.
5. Connect the appliance to the electricity supply. → *Page 7*
6. Put the food into the appliance.

15.3 Removing the fittings

If you want to clean the fittings thoroughly, remove these from your appliance.

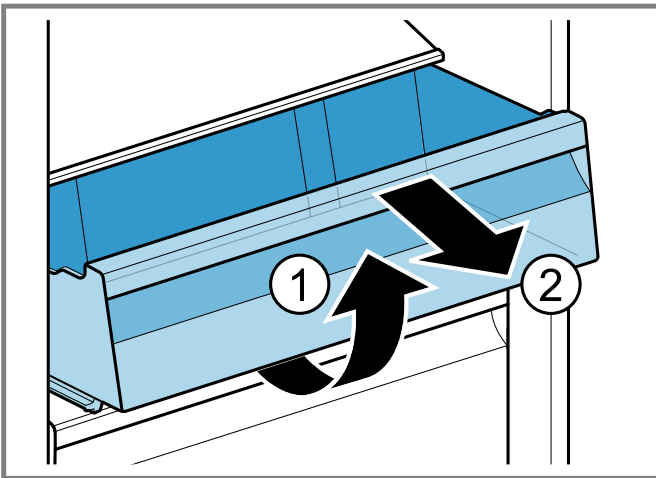
Removing the shelf

- ▶ Lift the shelf at the front ①, pull it out and remove it ②.



Removing the storage container

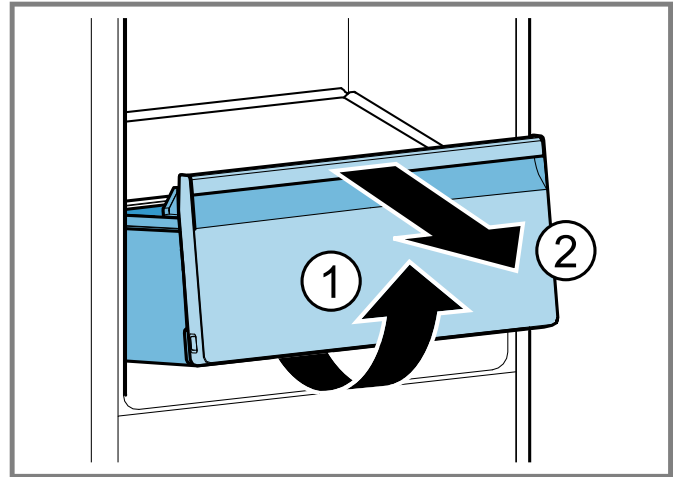
1. Pull out the storage container out all the way.
2. Lift the storage container at the front ① and remove it ②.



Removing the fruit and vegetable container

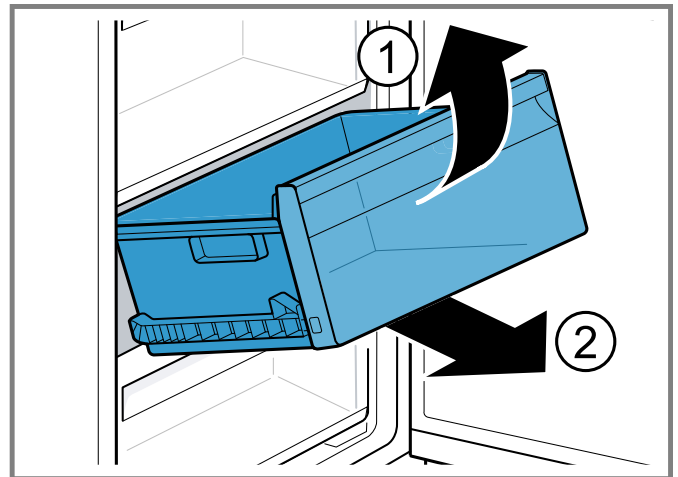
1. Pull out the fruit and vegetable container as far as it will go.

2. Lift the fruit and vegetable container at the front ① and remove it ②.



Removing the frozen food container

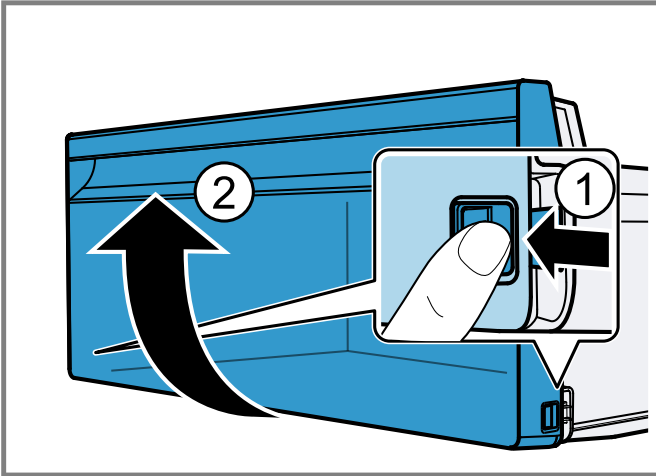
1. Pull out the frozen food container as far as it will go.
2. Lift the frozen food container at the front ① and remove it ②.



Removing the front of the container

You can remove the front of the fruit and vegetable container and frozen food container to facilitate cleaning.

- ▶ Press in the snap-in hooks on the side of the container ① and remove the front from the container in a turning motion ②.



Removing the ice cube container

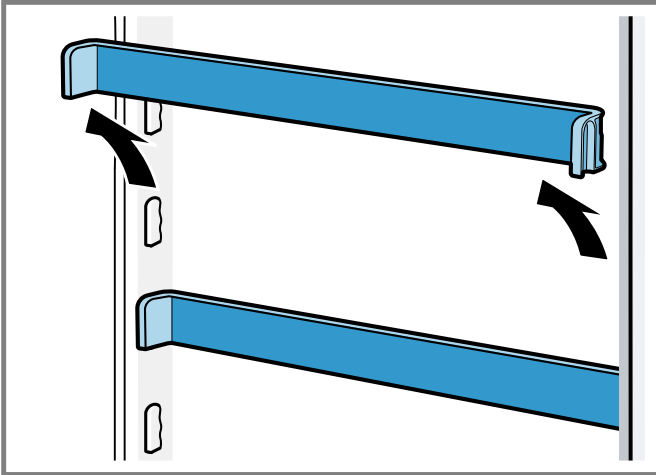
1. Pull out the flat frozen food container as far as it will go.
2. Lift the ice cube container at the front and remove it.

15.4 Removing the appliance components

If you want to clean your appliance thoroughly, you can remove certain components from your appliance.

Removing the door rack rail

- ▶ Lift the door rack rail upwards and remove it.



16 Troubleshooting

You can eliminate minor issues on your appliance yourself. Please read the information on eliminating issues before contacting Customer Service. This may avoid unnecessary repair costs.

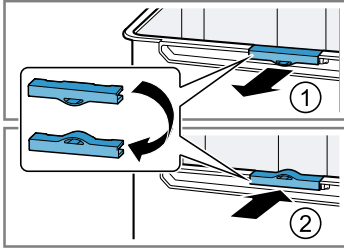
- ▶ If the power cord of this appliance becomes damaged, it must be replaced by the manufacturer, the manufacturer's Customer Service, or an authorized service provider in order to prevent injury.

WARNING

Improper repairs are dangerous.

- ▶ Only original spare parts may be used to repair the appliance.

Issue	Cause and troubleshooting
The appliance is not cooling, the displays and lighting are lit.	Showroom mode is switched on. <ol style="list-style-type: none"> 1. Switch off the appliance. → <i>Page 10</i> 2. Wait 2 minutes. 3. Switch the appliance back on. → <i>Page 10</i> 4. Wait 1 minute and then hold down super cool until 4 audible signals sound. 5. After a short time, check whether your appliance is cooling.
The LED lighting does not work.	Various causes are possible. <ul style="list-style-type: none"> ▶ Call customer service. → "<i>Customer Service</i>", <i>Page 21</i>
Side panels of the appliance are warm.	Not a fault. The side panels contain pipes which heat up during the cooling process. Units touching the appliance will not be damaged by the heat. No action required.
Home Connect® is not working properly.	Various causes are possible. <ul style="list-style-type: none"> ▶ Go to www.home-connect.com.
The temperature displays and alarm off light up.	A sensor is defective. <ul style="list-style-type: none"> ▶ Call customer service. → "<i>Customer Service</i>", <i>Page 21</i>
A warning tone sounds and the set temperature (refrigerator compartment) and alarm off flash.	The refrigerator compartment door is open. <ul style="list-style-type: none"> ▶ Close the refrigerator compartment door.
A warning tone sounds and the set temperature (freezer compartment) and alarm off flash.	Various causes are possible. <ul style="list-style-type: none"> ▶ Press alarm off. ✓ The alarm is switched off.
	The freezer compartment door is open. <ul style="list-style-type: none"> ▶ Close the freezer compartment door.
	External ventilation openings are covered up. <ul style="list-style-type: none"> ▶ Remove any obstructions from in front of the external ventilation openings.
	Large quantities of fresh food have been placed inside. <ul style="list-style-type: none"> ▶ Do not exceed the freezing capacity.
The set temperature is not reached. Fully automatic defrosting no longer works.	The freezer compartment door was open for a long time. The evaporator (refrigeration unit) in the NoFrost system is heavily iced up. <p>Requirement: Store the frozen food well insulated in a cool place.</p> <ol style="list-style-type: none"> 1. Switch off the appliance. → <i>Page 10</i> 2. Disconnect the appliance from the power supply. <ul style="list-style-type: none"> Unplug the power plug or switch off the circuit breaker in the fuse box. 3. Call customer service. → "<i>Customer Service</i>", <i>Page 21</i>
The temperature differs greatly from the setting.	Various causes are possible. <ol style="list-style-type: none"> 1. Switch off the appliance. → <i>Page 10</i> 2. Switch the appliance back on after approximately 5 minutes. → <i>Page 10</i> <ul style="list-style-type: none"> – If the temperature is too warm, check the temperature again after a couple of hours. – If the temperature is too cold, check the temperature again on the following day.

Issue	Cause and troubleshooting
Condensation accumulates on the surface of the appliance and on the shelves inside.	<p>The water contained in warm and humid air condenses on the colder surfaces of the appliance.</p> <ol style="list-style-type: none"> 1. Wipe away the water with a soft, dry cloth. 2. Open the appliance as briefly as possible. 3. Ensure that the appliance is always closed properly.
A large volume of condensation collects regularly in the fruit and vegetable container.	<p>Depending on the food and quantity stored, condensation may form in the fruit and vegetable container.</p> <ol style="list-style-type: none"> 1. Remove the fruit and vegetable container. → <i>Page 16</i> 2. Remove the ventilation clips ① and rotate them before inserting again ②.
	
Water output is reduced.	<p>Low water pressure.</p> <ul style="list-style-type: none"> ▶ Check the pressure of the water supply system or the external water filter system, e.g. reverse osmosis system. <p>Connect the appliance only to a water connection with sufficient water pressure.</p> <hr/> <p>The water filter is blocked.</p> <ul style="list-style-type: none"> ▶ Change the water filter.
Water is dripping from the water dispenser.	<p>Air is in the water system.</p> <ul style="list-style-type: none"> ▶ Keep dispensing water until it contains no more air.
The water dispenser is not functioning.	<p>There is no water being supplied to the appliance.</p> <ul style="list-style-type: none"> ▶ Ensure that there is a water supply and that the shut-off valve on the water connection is open. <p>Contact an installer if necessary.</p> <hr/> <p>Kink in the water hose.</p> <ul style="list-style-type: none"> ▶ Turn off the water supply and straighten the kink in water hose. <p>If necessary, replace the water hose.</p>
Ice cube production is low.	<p>The appliance has only recently been connected.</p> <ul style="list-style-type: none"> ▶ Wait approximately 4 hours until the first batch of ice cubes is ready. <hr/> <p>The freezer compartment has been opened frequently or for an extended period of time.</p> <ul style="list-style-type: none"> ▶ Check ice cube production after a few hours. <hr/> <p>Low water pressure.</p> <ul style="list-style-type: none"> ▶ Check the pressure of the water supply system or the external water filter system, e.g. reverse osmosis system. <p>Connect the appliance only to a water connection with sufficient water pressure.</p> <hr/> <p>The water filter is blocked.</p> <ul style="list-style-type: none"> ▶ Change the water filter. <hr/> <p>Food or objects are blocking the fill level sensor for the ice maker.</p> <ul style="list-style-type: none"> ▶ Remove all food and objects from the ice storage container. <hr/> <p>Fault in the ice maker.</p> <ol style="list-style-type: none"> 1. Switch off the appliance. → <i>Page 10</i> 2. Disconnect the appliance from the power supply. Unplug the power plug or switch off the circuit breaker in the fuse box. 3. Reconnect the appliance after 5 minutes. 4. If the fault persists, call customer service. → <i>Page 21</i>
The ice maker is not functioning.	<p>Ice cube production is switched off.</p> <ul style="list-style-type: none"> ▶ Switch on ice cube production. <hr/> <p>There is no water being supplied to the appliance.</p>

Issue	Cause and troubleshooting
The ice maker is not functioning.	<ul style="list-style-type: none"> ▶ Ensure that there is a water supply and that the shut-off valve on the water connection is open. Contact an installer if necessary.
	Kink in the water hose. <ul style="list-style-type: none"> ▶ Turn off the water supply and straighten the kink in water hose. If necessary, replace the water hose.
	Fault in the ice maker. <ol style="list-style-type: none"> 1. Switch off the appliance. → <i>Page 10</i> 2. Disconnect the appliance from the power supply. <ul style="list-style-type: none"> Unplug the power plug or switch off the circuit breaker in the fuse box. 3. Reconnect the appliance after 5 minutes. 4. If the fault persists, call customer service. → <i>Page 21</i>
The appliance hums, bubbles, buzzes, gargles, clicks, crackles or rumbles.	Not a fault. A motor is running, e.g. refrigerating unit, fan. Refrigerant is flowing through the pipes. The motor, switches, solenoid valves or water valves are switching on or off. Automatic defrosting is running. Ice cubes fall into the ice storage container. <p>No action required.</p>
The appliance makes noises.	The appliance is not level. <ul style="list-style-type: none"> ▶ Align the appliance using a bubble level and the screw feet.
	The appliance is not free-standing. <ul style="list-style-type: none"> ▶ Observe the minimum clearances for the appliance.
	Fittings wobble or stick. <ul style="list-style-type: none"> ▶ Check the removable fittings and, if required, replace these.
	Bottles or containers are touching. <ul style="list-style-type: none"> ▶ Move the bottles or containers away from each other.
	Super freezing is switched on. <p>No action required.</p>

16.1 Power failure

During a power failure, the temperature in the appliance rises; this reduces the storage time and the quality of the frozen food.

Notes

- Open the appliance as little as possible during a power failure and do not place any other food in the appliance.

- Check the quality of the food immediately after a power failure.
 - Dispose of any frozen food that has defrosted and is warmer than 41 °F (5 °C).
 - Cook or fry slightly thawed frozen food, and then either consume it or freeze it again.

16.2 Conducting an appliance self-test

Your appliance has an appliance self-test which displays faults that can be eliminated by your customer service.

1. Switch off the appliance. → *Page 10*
2. Disconnect the appliance from the power supply.
 - Unplug the appliance from the power source or switch off the circuit breaker in the fuse box.
3. Connect the appliance to the electricity supply after 5 minutes. → *Page 7*
4. One minute after connecting to the power supply, press and hold **super cool** for 3 to 5 seconds until a second audible signal sounds.
 - ✓ The appliance self-test starts when the temperature displays light up in succession.
 - ✓ If, at the end of the appliance self-test, two audible signals sound and the temperature display indicates the set temperature, your appliance is OK. The appliance switches to normal operation.

- ✓ If, at the end of the appliance self-test, 5 audible signals sound and the temperature display LEDs light up with a different brightness, inform customer service. The LEDs provide customer service with information about this fault.

17 Storage and disposal

17.1 Taking the appliance out of operation

1. Switch off the appliance. → *Page 10*
2. Disconnect the appliance from the power supply.
 - Unplug the appliance from the power source or switch off the circuit breaker in the fuse box.
3. Remove all of the food.
4. Remove the water filter.
5. Clean the appliance. → *Page 15*

6. **NOTICE:** Objects jammed between the door and the housing may damage the door hinge.
- ▶ Open the door until it remains open by itself.
 - ▶ Do not insert any objects between the door and the housing.
- To ensure the ventilation inside the appliance, leave the appliance open.

17.2 Disposal of your old appliance

Environmentally compatible disposal allows valuable raw materials to be recycled.

WARNING

Children can lock themselves in the appliance, thereby putting their lives at risk.

- ▶ Remove the appliance doors.
- ▶ To prevent children from climbing in, leave shelves and containers in the appliance.
- ▶ Keep children away from the discarded appliance.

WARNING

If the tubes are damaged, flammable refrigerant and harmful gases may escape and ignite.

- ▶ Do not damage the tubes of the refrigerant circuit or the insulation.

1. Unplug the appliance from the power supply.
2. Cut through the power cord.
3. Dispose of the appliance in an environmentally responsible manner.

Information about current disposal methods can be obtained from your specialist dealer or local authority.

18 Customer Service

With any warranty repair, we will make sure your appliance is repaired by an authorized service provider using genuine replacement parts. We use only genuine replacement parts for all repairs.

Detailed information on the warranty period and terms of warranty can be found in the Statement of Limited Product Warranty, from your retailer, or on our website.

If you contact the Customer Service, you will need the model number (E-Nr.), the production number (FD) and the consecutive numbering (Z-Nr.) of your appliance.

USA:

1-800-944-2904

www.bosch-home.com/us/owner-support/get-support

www.bosch-home.com/us/shop

CA:

1-800-944-2904

www.bosch-home.ca/en/service/get-support

www.bosch-home.ca/en/service/cleaners-and-accessories

For assistance with connecting to Home Connect®, you can also view instructions here:

www.home-connect.com/us/en/help-support/set-up

18.1 Model number (E-Nr.), production number (FD) and consecutive numbering (Z-Nr.)

You can find the model number (E-Nr.), the production number (FD) and the consecutive numbering (Z-Nr.) on the appliance's rating plate.

→ "Appliance", Fig. , Page 8

Making a note of your appliance's details and the Customer Service telephone number will enable you to find them again quickly.

19 Technical specifications

Refrigerant, cubic capacity and further technical specifications can be found on the rating plate.

→ "Appliance", Fig. , Page 8

19.1 Information regarding Free and Open Source Software

This product includes software components that are licensed by the copyright holders as free or open source software.

The applicable license information is stored on your home appliance. You can also access the applicable license information via your Home Connect® app: "Profile -> Legal information -> License Information".¹ You can download the license information on the brand product website. (Please search on the product website for your appliance model and additional documents). Alternatively, you can request the relevant information from ossrequest@bshg.com or BSH Hausgeräte GmbH, Carl-Wery-Str. 34, 81739 Munich, Germany.

The source code will be made available to you on request. Please send your request to ossrequest@bshg.com or BSH Hausgeräte GmbH, Carl-Wery-Str.34, 81739 Munich, Germany.

Subject: „OSSREQUEST“

The cost of performing your request will be charged to you. This offer is valid for three years from the date of purchase or at least as long as we offer support and spare parts for the relevant appliance.

¹ Depending on the appliance specifications

Table des matières

1 Sécurité.....	23	11 Compartiment réfrigération	32
1.1 Définitions des termes de sécurité	23	11.1 Conseils pour ranger des produits alimentaires dans le compartiment réfrigération.....	32
1.2 Indications générales	23	11.2 Zones froides dans le compartiment réfrigération....	33
1.3 Conformité d'utilisation.....	23	12 Compartiment congélation	33
1.4 Restrictions au cercle d'utilisateurs	23	12.1 Conseils pour ranger des aliments dans le compartiment congélation.....	33
1.5 Transport sûr.....	23	12.2 Conseils pour congeler des aliments frais.....	33
1.6 Installation sûre.....	23	12.3 Méthodes de décongélation pour aliments congelés	33
1.7 Utilisation sûre	24	13 Système hydraulique.....	33
1.8 Appareil endommagé	25	13.1 Filtre à eau.....	33
1.9 Mises en garde conformément à la proposition 65 de l'État de Californie	25	13.2 Distributeur d'eau.....	34
2 Prévenir les bris matériels	26	13.3 Distributeur de glaçons	34
3 Protection de l'environnement et économies	26	14 Dégivrer	35
3.1 Mise au rebut de l'emballage	26	14.1 Dégivrer le compartiment congélation.....	35
3.2 Économiser de l'énergie.....	26	15 Nettoyage et entretien.....	35
4 Installation et branchement	26	15.1 Préparer l'appareil pour le nettoyage	35
4.1 Contenu de livraison	26	15.2 Nettoyer l'appareil	36
4.2 Critères pour le lieu d'installation.....	26	15.3 Retirer les pièces d'équipement.....	36
4.3 Monter l'appareil.....	27	15.4 Démontez les pièces de l'appareil	37
4.4 Préparer l'appareil pour la première utilisation	27	16 Dépannage	38
4.5 Raccordement électrique de l'appareil	27	17 Entreposage et mise au rebut.....	41
5 Description de l'appareil	28	17.1 Mettre l'appareil hors service	41
5.1 Appareil.....	28	17.2 Éliminer un appareil usagé	41
5.2 Bandeau de commande	29	18 Service à la clientèle.....	41
6 Équipement	29	18.1 Numéro de modèle (E-Nr.), numéro de fabrication (FD) et numéro de comptage (Z-Nr.)	41
6.1 Clayette.....	29	19 Données techniques.....	41
6.2 Bac de rangement.....	29	19.1 Informations sur le logiciel libre	41
6.3 Bac à fruits et légumes avec régulateur d'humidité... 30			
6.4 Compartiment de contre-porte variable	30		
6.5 Réserve à glaçons	30		
7 Opération de base.....	30		
7.1 Mettre l'appareil sous tension.....	30		
7.2 Remarques concernant le fonctionnement de l'appareil	30		
7.3 Éteindre l'appareil	30		
7.4 Régler la température	30		
8 Fonctions additionnelles.....	30		
8.1 Super-réfrigération	30		
8.2 Super-congélation	31		
8.3 Mode Sabbat.....	31		
9 Alarme	31		
9.1 Alarme de porte	31		
9.2 Alarme de température	31		
10 Home Connect®	31		
10.1 Configurer Home Connect®.....	32		
10.2 Activer la connexion au réseau domestique WLAN (Wi-Fi).....	32		
10.3 Désactiver la connexion au réseau domestique WLAN (Wi-Fi).....	32		
10.4 Installer la mise à jour du logiciel Home Connect®	32		
10.5 Réinitialisez les réglages Home Connect®.....	32		
10.6 Protection des données	32		



IMPORTANTES CONSIGNES DE SÉCURITÉ

LIRE ET CONSERVER CES INSTRUCTIONS

Respectez les consignes de sécurité suivantes.

1.1 Définitions des termes de sécurité

Vous trouverez ici des explications sur les mots de signalisation de sécurité utilisés dans ce manuel.

AVERTISSEMENT

Signale un risque de mort ou de blessure grave si l'avertissement n'est pas respecté.

MISE EN GARDE

Signale un risque de blessures mineures ou modérées si l'avertissement n'est pas respecté.

AVIS :

Ceci indique que la non-conformité à cet avis de sécurité peut entraîner des dégâts matériels ou endommager l'appareil.

Remarque : Ceci vous signale des informations et/ou indications importantes.

1.2 Indications générales

- Lisez attentivement cette notice.
- Veuillez conserver la notice et les renseignements sur le produit en vue d'une réutilisation ultérieure ou pour un futur nouveau propriétaire.
- Ne branchez pas l'appareil si ce dernier a été endommagé durant le transport.

1.3 Conformité d'utilisation

Utilisez l'appareil uniquement :

- pour réfrigérer et congeler des aliments, pour préparer de la glace et pour distribuer de l'eau.
- dans un domicile privé et dans une pièce fermée de l'environnement domestique.
- jusqu'à une altitude maximale de 6560 pi (2000 m) au-dessus du niveau de la mer.

1.4 Restrictions au cercle d'utilisateurs

Cet appareil n'est pas destiné à être utilisé par des personnes (y compris des enfants) présentant des capacités physiques, sensorielles ou mentales réduites, à

moins qu'elles n'aient été informées de la manière d'utiliser l'appareil par une personne responsable de leur sécurité.

Ne permettez jamais aux enfants de jouer avec l'appareil. Le nettoyage de l'appareil et l'entretien par l'utilisateur sont des activités que les enfants ne peuvent pas effectuer sans surveillance.

1.5 Transport sûr

AVERTISSEMENT

Il peut être risqué de soulever l'appareil en raison de son poids élevé.

- ▶ Soulevez l'appareil à deux personnes.

1.6 Installation sûre

AVERTISSEMENT

Les installations non conformes sont dangereuses.

- ▶ Observer impérativement les indications figurant sur la plaque signalétique lors du raccordement et de l'utilisation de l'appareil.
- ▶ Brancher l'appareil uniquement à l'aide d'une fiche dûment installée avec mise à la terre dans une prise secteur à courant alternatif.
- ▶ Le système à conducteur de protection de l'installation électrique de la maison doit être installé correctement.
- ▶ Ne jamais alimenter l'appareil par l'intermédiaire d'un appareil de commutation externe, par ex. une minuterie ou une télécommande.
- ▶ Si l'appareil est encastré, la fiche du cordon d'alimentation secteur doit être librement accessible ou, si un accès libre est impossible, un dispositif de sectionnement doit être installé dans l'installation électrique fixe, conformément aux réglementations d'installation.
- ▶ Veillez à ne pas coincer ou endommager le câble d'alimentation en posant l'appareil.

Le cordon d'alimentation pose un danger si sa gaine de protection est endommagée.

- ▶ Ne mettez jamais en contact le cordon d'alimentation avec des sources de chaleur.



IMPORTANTES CONSIGNES DE SÉCURITÉ

LIRE ET CONSERVER CES INSTRUCTIONS

AVERTISSEMENT

Si les orifices de ventilation de l'appareil sont fermés, un mélange gaz-air inflammable peut se produire si le circuit de réfrigération fuit.

- ▶ Ne fermez pas les orifices de ventilation dans le boîtier de l'appareil ou dans le boîtier d'installation.

AVERTISSEMENT

Il est dangereux d'utiliser un cordon d'alimentation rallongé ou un adaptateur non autorisé.

- ▶ Ne pas utiliser de rallonge ni de bloc multiprise.
- ▶ Utiliser uniquement les adaptateurs et cordons d'alimentation secteur autorisés par le fabricant.
- ▶ Si le cordon d'alimentation secteur est trop court et qu'aucun autre cordon plus long n'est disponible, contacter un électricien spécialisé pour adapter l'installation domestique.

Les blocs multiprises ou blocs secteur mobiles peuvent surchauffer et provoquer un incendie.

- ▶ Ne placez pas les blocs multiprises ou blocs secteur mobiles à l'arrière des appareils.

1.7 Utilisation sûre

AVERTISSEMENT

L'humidité qui pénètre peut occasionner une électrocution.

- ▶ Utiliser l'appareil uniquement dans des pièces fermées.
- ▶ Ne jamais exposer l'appareil à une forte chaleur ou humidité.
- ▶ N'utilisez pas de nettoyeur haute pression ou de nettoyeur à vapeur pour nettoyer l'appareil.

AVERTISSEMENT

Les enfants peuvent se passer le matériel d'emballage par-dessus la tête, s'y enrouler et s'y étouffer.

- ▶ Gardez le matériel d'emballage à l'écart des enfants.
- ▶ Ne permettez jamais aux enfants de jouer avec le matériel d'emballage.

Les enfants risquent d'inhaler ou d'avaler des petits morceaux et s'étouffer.

- ▶ Gardez les petits morceaux à l'écart des enfants.
- ▶ Ne permettez jamais aux enfants de jouer avec les petits morceaux.

AVERTISSEMENT

L'endommagement du circuit de réfrigération peut provoquer la fuite et l'explosion du fluide frigorigène inflammable.

- ▶ Pour accélérer le dégivrage, n'utilisez pas d'autres dispositifs mécaniques ou d'autres produits que ceux recommandés par le fabricant.
- ▶ Détachez les aliments congelés à l'aide d'un objet émoussé, par exemple le manche d'une cuillère en bois.

Des produits contenant des gaz propulseurs inflammables et des matières explosives peuvent exploser, par ex. bombes aérosols.

- ▶ Ne stockez pas de produits contenant des gaz propulseurs inflammables et des matières explosives dans l'appareil.

AVERTISSEMENT

Les appareils électriques à l'intérieur de l'appareil peuvent provoquer un incendie, par ex. appareils de chauffage ou fabriques de glace électriques.

- ▶ N'utilisez aucun appareil électrique à l'intérieur de l'appareil.

AVERTISSEMENT

Les récipients contenant des boissons gazeuses risquent d'éclater.

- ▶ Ne stockez jamais de boissons gazeuses dans le compartiment congélation.

Lésions oculaires dues à la fuite de fluide frigorigène inflammable et de gaz nocifs.

- ▶ Veillez à ne pas endommager les tubulures du circuit frigorigène, ni l'isolant.

L'appareil peut basculer.

- ▶ Ne vous servez jamais du socle, des glissières ou des portes comme marchepieds et ne vous appuyez jamais dessus.

AVERTISSEMENT

Certaines pièces à l'arrière de l'appareil deviennent très chaudes en service.

- ▶ Ne touchez jamais les pièces chaudes.



IMPORTANTES CONSIGNES DE SÉCURITÉ

LIRE ET CONSERVER CES INSTRUCTIONS

AVERTISSEMENT

Un contact avec les produits congelés et les surfaces froides peut entraîner des brûlures par le froid.

- ▶ Ne portez jamais des produits surgelés à la bouche immédiatement après les avoir sortis du compartiment congélation.
- ▶ Évitez tout contact prolongé de la peau avec les produits congelés, la glace et les surfaces métalliques présents dans le compartiment congélation.

MISE EN GARDE

Pour éviter toute contamination des produits alimentaires, respectez les instructions suivantes.

- ▶ L'ouverture prolongée de la porte peut entraîner une importante augmentation de la température dans les compartiments de l'appareil.
- ▶ Nettoyez régulièrement les surfaces qui peuvent entrer en contact avec des produits alimentaires et systèmes d'écoulement accessibles.
- ▶ Rincez le système hydraulique si aucune eau n'a été prélevée pendant 5 jours.
- ▶ Conservez la viande et le poisson crus dans des récipients appropriés dans le compartiment réfrigération de sorte qu'ils ne soient pas en contact avec d'autres aliments et qu'ils ne coulent pas dessus.
- ▶ Si le réfrigérateur/congélateur reste vide pendant une longue période, éteignez l'appareil, dégivrez-le, nettoyez-le et laissez la porte ouverte, afin d'éviter la formation de moisissures.

Les pièces métalliques ou d'aspect métallique de l'appareil peuvent contenir de l'aluminium. Si des aliments acides entrent en contact avec de l'aluminium, des ions d'aluminium peuvent être transférés dans les aliments.

- ▶ Ne consommez pas les aliments contaminés.

1.8 Appareil endommagé

AVERTISSEMENT

Un appareil endommagé ou un cordon d'alimentation secteur endommagé est dangereux.

- ▶ N'utilisez jamais un appareil endommagé.
- ▶ Ne jamais tirer sur le cordon d'alimentation secteur pour débrancher l'appareil du secteur. Toujours débrancher la fiche mâle du cordon d'alimentation secteur.

- ▶ Si l'appareil ou le cordon d'alimentation secteur est endommagé, débrancher immédiatement la fiche mâle du cordon d'alimentation secteur ou couper le fusible dans le boîtier à fusibles.
 - ▶ Appelez le service après-vente. → *Page 41*
- Les réparations non conformes sont dangereuses.
- ▶ Seules des pièces de rechange d'origine peuvent être utilisées pour réparer l'appareil.
 - ▶ Afin d'écartier tout danger, quand le cordon d'alimentation de cet appareil est endommagé, seul le fabricant, son service à la clientèle ou toute autre personne de qualification équivalente est habilitée à le faire.

AVERTISSEMENT



En cas d'endommagement des tuyaux, du fluide frigorigène inflammable et des gaz nocifs peuvent s'échapper et s'enflammer.

- ▶ Éloignez l'appareil de toute flamme nue ou source d'inflammation.
- ▶ Aérez la pièce.
- ▶ Éteindre l'appareil. → *Page 30*
- ▶ Retirez la fiche du cordon d'alimentation secteur ou désactivez le fusible dans la boîte à fusibles.
- ▶ Appelez le service après-vente. → *Page 41*

1.9 Mises en garde conformément à la proposition 65 de l'État de Californie

Ce produit pourrait contenir un produit chimique reconnu par l'État de la Californie comme cancérigène ou ayant des effets nocifs sur la reproduction. Par conséquent, vous pourriez devoir apposer l'étiquette suivante sur l'emballage du produit comme requis par la Californie :

**STATE OF CALIFORNIA PROPOSITION 65 WARNING: /
AVERTISSEMENT ISSUE DE LA PROPOSITION 65
DE L'ÉTAT DE LA CALIFORNIE:**

**WARNING /
AVERTISSEMENT**

Cancer and Reproductive Harm / Cancer et dommages à la reproduction - www.P65Warnings.ca.gov.

2 Prévenir les bris matériels

AVIS :

Le basculement des roulettes de l'appareil peut endommager le sol lors du déplacement de l'appareil.

- ▶ Transportez l'appareil avec un diable.
- ▶ Lorsque vous déplacez l'appareil, protégez le sol et ne faites pas de zigzags.

L'utilisation du socle, des glissières ou des portes de l'appareil comme surface d'assise ou comme marchepied peut endommager l'appareil.

- ▶ Ne vous servez jamais du socle, des glissières ou des portes comme marchepieds et ne vous appuyez jamais dessus.

En cas de salissures provenant d'huile ou de graisse, des pièces en matière plastique et les joints de porte peuvent devenir poreux.

- ▶ Veillez à ce que les pièces en matière plastique et les joints de porte soient exempts d'huile et de graisse. Les pièces métalliques ou d'aspect métallique de l'appareil peuvent contenir de l'aluminium. L'aluminium réagit en contact avec les aliments acides.
- ▶ Ne stockez pas d'aliments non emballés dans l'appareil.

3 Protection de l'environnement et économies

3.1 Mise au rebut de l'emballage

Les matériaux d'emballage sont écologiques et recyclables.

- ▶ Veuillez éliminer les pièces détachées après les avoir triées par matières.

3.2 Économiser de l'énergie

Si vous respectez les instructions suivantes, votre appareil consommera moins de courant.

Choisir le lieu d'installation

- Protégez l'appareil de la lumière directe du soleil.
- Installez l'appareil aussi loin que possible des radiateurs, des cuisinières et des autres sources de chaleur :
 - Respectez une distance de $1\frac{1}{4}$ " (30 mm) par rapport aux cuisinières électriques ou à gaz.
 - Respectez une distance de $11\frac{13}{16}$ " (300 mm) par rapport à un appareil de chauffage au fuel ou au charbon.
- Respectez une petite distance latérale au mur.
- Ne recouvrez et ne bouchez jamais les orifices de ventilation extérieurs.

Économiser de l'énergie lors de l'utilisation

Remarque : La disposition des pièces d'équipement n'a aucune influence sur la consommation d'énergie de l'appareil.

- N'ouvrez que brièvement l'appareil et fermez-le avec précaution.

- Ne recouvrez et n'obstruez jamais les grilles de ventilation intérieures ni les orifices de ventilation extérieurs.
- Transportez les produits alimentaires achetés dans un sac isotherme et rangez-les rapidement dans l'appareil.
- Attendez que les aliments et les boissons chaudes refroidissent avant de les ranger.
- Pour profiter du froid des produits congelés, placez les produits à décongeler dans le compartiment réfrigération.
- Laissez toujours un peu de place entre les produits alimentaires et la paroi arrière.

4 Installation et branchement

4.1 Contenu de livraison

Après avoir déballé le produit, inspectez toutes les pièces pour détecter d'éventuels dégâts dus au transport et vous assurer de l'intégralité de la livraison.

En cas de réclamation, veuillez vous adresser à votre revendeur ou auprès de notre service à la clientèle
→ Page 41.

La livraison comprend :

- Appareil indépendant
- Des équipements et accessoires¹
- Notice de montage
- Le mode d'emploi
- Déclaration de garantie limitée du produit
- Le document annexe de la garantie²
- Le label énergétique
- Des informations relatives à la consommation d'énergie et aux bruits
- Des informations sur Home Connect®

4.2 Critères pour le lieu d'installation

⚠ AVERTISSEMENT

Si l'appareil est installé dans une pièce trop petite, une éventuelle fuite du circuit de réfrigération pourrait donner lieu à un mélange de gaz et d'air inflammable.

- ▶ Placez l'appareil uniquement dans une pièce dont le volume minimum est de 35 ft³ (1 m³) par 8 g de fluide frigorigène. La quantité de fluide frigorigène est indiquée sur la plaque signalétique. → "Appareil", Fig.

1/7, Page 28

Selon le modèle, le poids de l'appareil départ usine peut atteindre 265 lbs (120 kg).

Le plancher doit être assez stable pour supporter le poids de l'appareil.

Installation au-dessus et en-dessous, et côte à côte

Si vous souhaitez installer 2 réfrigérateurs superposés ou côte à côte, vous devez observer une distance d'au moins 150 mm entre les appareils. Pour les appareils sélectionnés, une installation sans distance minimale est possible. Demandez conseil à votre revendeur ou à votre cuisiniste.

¹ selon l'équipement de l'appareil

² Pas dans tous les pays

4.3 Monter l'appareil

- ▶ Montez l'appareil selon les instructions de montage jointes.

4.4 Préparer l'appareil pour la première utilisation

1. Retirez le matériel d'informations.
2. Retirer les films protecteurs et les sécurités de transport, par ex. les bandes adhésives et le carton.
3. Nettoyez l'appareil pour la première fois. → *Page 36*

4.5 Raccordement électrique de l'appareil

1. Branchez la fiche secteur du cordon d'alimentation de l'appareil dans une prise murale à proximité de l'appareil.

Les données de raccordement de l'appareil sont indiquées sur la plaque signalétique. → "*Appareil*", Fig.

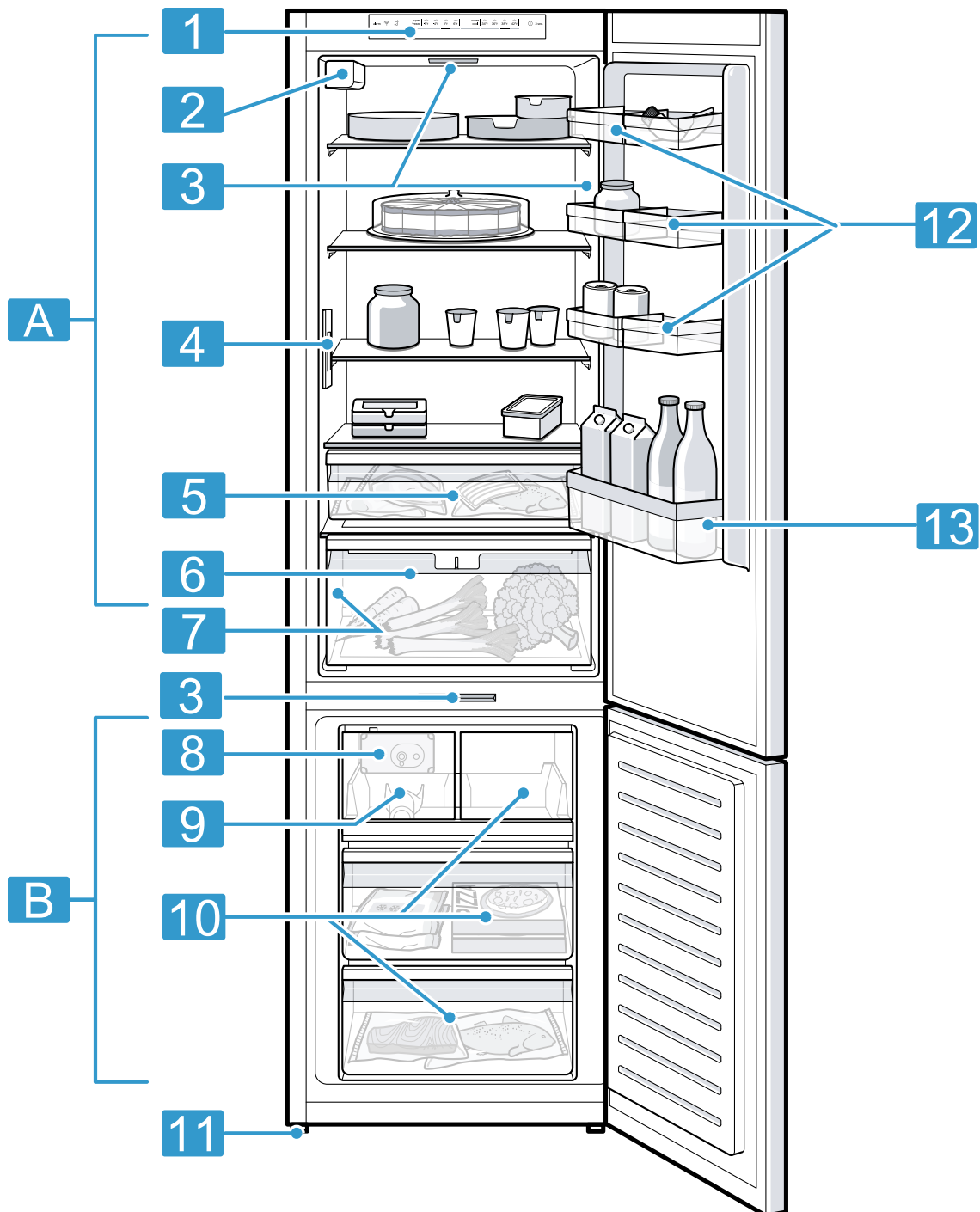
1 **7**, *Page 28*

2. S'assurer que la fiche est correctement insérée.
- ✓ L'appareil est maintenant prêt à fonctionner.

5 Description de l'appareil

5.1 Appareil

Cette section contient une vue d'ensemble des composants de votre appareil.



1

A Compartiment réfrigération → Page 32

B Compartiment congélation → Page 33

1 Panneau de configuration → Page 29

2 Filtre à eau → Page 33

3 Éclairage

4 Distributeur d'eau → Page 34

5 Bac de rangement → Page 29

6 Bac à fruits et légumes avec régulateur d'humidité
→ Page 30

7 Plaque signalétique → Page 41

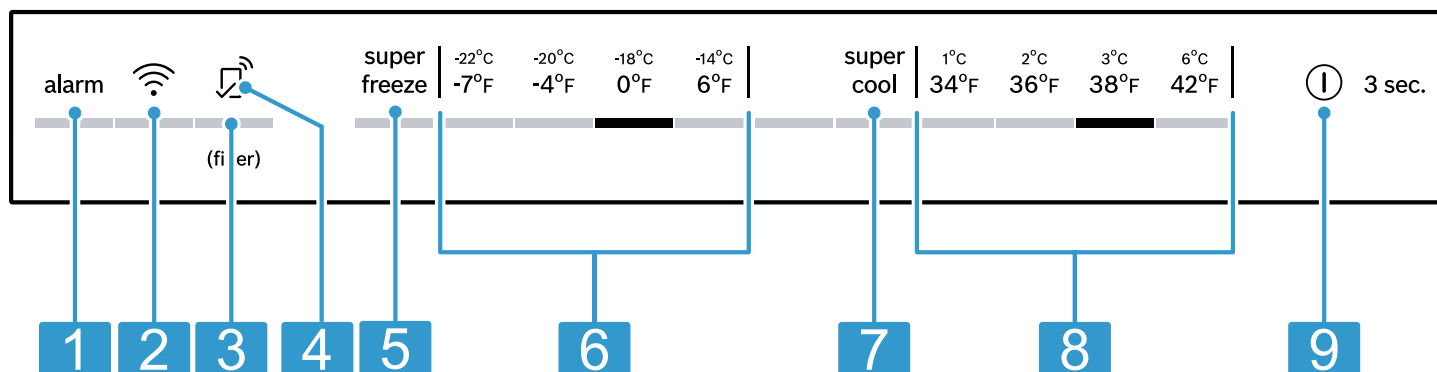
8	Distributeur de glaçons → Page 34
9	Réserve à glaçons → Page 30
10	Bac à produits congelés → Page 36
11	Pied à vis

12	Compartiment de contre-porte variable → Page 30
13	Compartiment de contre-porte pour grandes bouteilles

Remarque : Selon l'équipement et la taille, des divergences sont possibles entre votre appareil et les illustrations.

5.2 Bandeau de commande

Le bandeau de commande vous permet de configurer toutes les fonctions de votre appareil et d'obtenir des informations sur son état de fonctionnement.



2

1	alarm off désactive l'alarme sonore.
2	active ou désactive la connexion au réseau domestique WLAN (Wi-Fi).
3	(filter) clignote lorsque le filtre doit être remplacé.
4	🔔 s'allume lorsque des réglages définis par l'utilisateur sont réglés via l'appli Home Connect®. Vous trouverez de plus amples informations dans l'appli Home Connect®.
5	super freeze active ou désactive la fonction Super-congélation.
6	Affiche la température réglée du compartiment congélation en °C.
7	super cool active ou désactive la fonction Super-réfrigération.
8	Affiche la température réglée du compartiment réfrigération.
9	Ⓜ 3 sec. allume ou éteint l'appareil.

6 Équipement

L'équipement de votre appareil dépend de son modèle.

6.1 Clayette

Pour varier la position de la clayette selon les besoins, vous pouvez retirer la clayette et la replacer à un autre endroit.

→ "Retirer la clayette", Page 36

6.2 Bac de rangement

Les températures régnant dans le bac de rangement sont plus basses que dans le compartiment réfrigération. Des températures inférieures à 32 °F (0 °C) peuvent parfois se produire.

Pour atteindre des températures proches de 32 °F (0 °C) dans le bac de rangement, réglez la température du réfrigérateur sur 34 °F (2 °C). → Page 30

Utilisez les températures plus basses du bac de rangement pour conserver les aliments périssables, par ex. le poisson, la viande et la charcuterie.

6.3 Bac à fruits et légumes avec régulateur d'humidité

Stockez les fruits et légumes frais non emballés dans le bac à fruits et légumes.

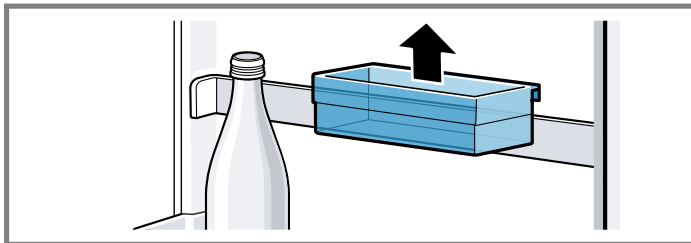
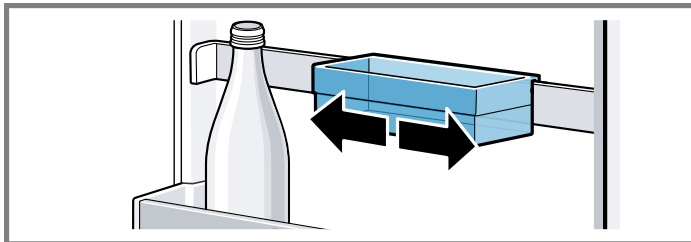
Conservez les fruits et légumes coupés recouverts ou dans un emballage hermétique.

Suivant la quantité et la nature des produits stockés, de l'eau peut se condenser dans le bac à fruits et légumes. Éliminer l'eau condensée avec un essuie-tout sec et régler un faible taux d'humidité de l'air à l'aide du régulateur d'humidité.

Afin de conserver leur qualité et leurs arômes, rangez les fruits et légumes sensibles au froid en dehors de l'appareil à des températures comprises entre 46 °F (8 °C) à 54 °F (12 °C) environ, par ex. les ananas, les bananes, les agrumes, les concombres, les courgettes, les poivrons, les tomates et les pommes de terre.

6.4 Compartiment de contre-porte variable

Pour varier la position du compartiment de contre-porte variable selon les besoins, vous pouvez le déplacer ou le retirer, et le replacer à un autre endroit.



Vous pouvez retirer les rails du compartiment de contre-porte et les replacer à un autre endroit.

→ "Démonter les rails du compartiment de contre-porte", Page 37

6.5 Réserve à glaçons

Si la production de glaçons est activée, des glaçons sont automatiquement entreposés dans la réserve à glaçons.

AVIS :

Le distributeur de glaçons peut être bloqué ou endommagé par des aliments ou des objets stockés dans le bac à glaçons.

- ▶ Ne stockez jamais d'aliments ou d'objets dans le bac à glaçons.

7 Opération de base

7.1 Mettre l'appareil sous tension

1. Raccordez l'appareil électriquement. → Page 27

Remarque : Si l'appareil a été préalablement éteint à l'aide du bandeau de commande, maintenez la touche ① 3 sec. enfoncée pendant 3 secondes.

- ✓ L'appareil commence à réfrigérer.
 - ✓ Une alarme sonore retentit, l'affichage de la température (congélateur) et alarm off clignotent, car le congélateur n'est pas encore assez froid.
2. Éteignez l'alarme sonore avec alarm off.
 - ✓ alarm off s'éteint dès que la température réglée est atteinte.
 3. Réglez la température souhaitée. → Page 30

7.2 Remarques concernant le fonctionnement de l'appareil

- Lorsque vous avez allumé l'appareil, il peut s'écouler jusqu'à plusieurs heures avant que la température réglée ne soit atteinte. Ne rangez aucun aliment avant que la température réglée ne soit atteinte.
- L'appareil chauffe légèrement les surfaces frontales temporairement. Cela prévient la condensation d'eau dans la zone du joint de porte.
- Lorsque vous refermez la porte, une dépression peut se produire. La porte est alors difficile à rouvrir. Patientez quelques instants jusqu'à ce que la dépression soit compensée.

7.3 Éteindre l'appareil

- ▶ Maintenez ① 3 sec. appuyé pendant 3 secondes.

7.4 Régler la température

Conseil : L'appli Home Connect® vous permet de régler les températures qui ne sont pas affichées sur le bandeau de commande.

Régler la température du compartiment congélation

- ▶ Appuyez sur la température souhaitée.

La température recommandée dans le compartiment réfrigération est de 37 °F (3 °C).

Régler la température du compartiment congélation

- ▶ Appuyez sur la température souhaitée.

La température recommandée dans le compartiment congélation est de 0 °F (-18 °C).

8 Fonctions additionnelles

Découvrez les fonctions additionnelles dont votre appareil dispose. L'appli Home Connect® vous permet de régler d'autres fonctions supplémentaires.

8.1 Super-réfrigération

Avec la fonction Super-réfrigération, le compartiment réfrigération refroidit au maximum. Activez Super-réfrigération avant de ranger de grandes quantités d'aliments.

Remarque : Lorsque la fonction Super-réfrigération est activée, il est possible que l'appareil fonctionne plus bruyamment.

Activer la Super-réfrigération

- ▶ Appuyez sur super cool.
- ✓ super cool s'allume.

Remarque : Après environ 6 heures, l'appareil passe en mode de fonctionnement normal.

Désactivez le Super-réfrigération

- ▶ Appuyez sur super cool.

8.2 Super-congélation

Avec la fonction Super-congélation, le compartiment congélation refroidit au maximum.

Activez la fonction Super-congélation 4 à 6 heures avant de ranger une quantité d'aliments à partir de 2 kg dans le compartiment congélation.

Remarque : Lorsque la fonction Super-congélation est activée, il est possible que l'appareil fonctionne plus bruyamment.

Allumez la Super-congélation

- ▶ Appuyez sur super freeze.
- ✓ super freeze s'allume.

Remarque : Après environ 54 heures, l'appareil passe en mode de fonctionnement normal.

Désactiver la Super-congélation

- ▶ Appuyez sur super freeze.

8.3 Mode Sabbat

Pour vous permettre d'utiliser l'appareil pendant le sabbat, le Mode Sabbat désactive toutes les fonctions non essentielles.

En Mode Sabbat les fonctions suivantes sont désactivées :

- Super-réfrigération
- Super-congélation
- Alarme
- Distributeur d'eau
- Production de glaçons
- Éclairage intérieur
- Signaux sonores
- Messages sur le bandeau de commande

Remarque : Pendant le Mode Sabbat l'éclairage du bandeau de commande est éteint. super freeze s'allume en luminosité réduite.

Allumez le Mode Sabbat

- ▶ Maintenez enfoncé super freeze pendant 15 secondes jusqu'à l'émission d'un signal sonore.
- ✓ super freeze s'allume.

Remarque : Au bout d'environ 80 heures, l'appareil revient en fonctionnement normal.

Désactivez le Mode Sabbat

- ▶ Maintenez enfoncé super freeze pendant 15 secondes jusqu'à l'émission d'un signal sonore.

9 Alarme

9.1 Alarme de porte

L'alarme de porte retentit lorsque la porte de l'appareil reste ouverte longtemps.

Une alarme sonore retentit, alarm off clignote et la température réglée du compartiment concerné clignote.

Désactiver l'alarme de porte

- ▶ Fermez la porte de l'appareil ou appuyez sur alarm off.
- ✓ L'alarme sonore est désactivée.

9.2 Alarme de température

Si la température monte trop dans le compartiment congélation, l'alarme de température retentit.

Une alarme sonore retentit, la température réglée (congélateur) et alarm off clignent.

MISE EN GARDE

Lors de la décongélation, les bactéries peuvent se multiplier et les aliments congelés peuvent s'abîmer.

- ▶ Ne remettez pas à congeler des produits alimentaires partiellement ou entièrement décongelés.
- ▶ Ne recongelez les aliments qu'après avoir les avoir fait cuire ou rôtir.
- ▶ N'utilisez plus la durée de conservation dans son intégralité.

L'alarme de température peut s'enclencher dans les cas suivants :

- L'appareil est mis en route. Attendez que la température réglée soit atteinte avant de ranger les produits.
- Rangement de grandes quantités de produits alimentaires frais. Activez Super-congélation avant de ranger de grandes quantités de nourriture.
- Porte du compartiment congélation restée trop longtemps ouverte. Vérifiez si les produits surgelés ont été décongelés.

Éteindre l'alarme de température

- ▶ Appuyez sur alarm off.
- ✓ L'alarme sonore est désactivée.

10 Home Connect®

Cet appareil peut être mis en réseau. Branchez votre appareil à un appareil mobile pour en effectuer la commande via l'application Home Connect®.

Les Home Connect® ne sont pas proposés dans tous les pays. La disponibilité de la fonction Home Connect® de l'offre des services Home Connect® dans votre pays.

Vous trouverez de plus amples informations à ce sujet à l'adresse : www.home-connect.com.

Pour utiliser Home Connect®, configurez d'abord la connexion à votre réseau domestique WLAN (Wi-Fi¹) et à l'application Home Connect®.

¹ Wi-Fi est une marque déposée de la société Wi-Fi Alliance.

Attendez au moins 2 minutes après la mise en marche de l'appareil, jusqu'à ce que l'initialisation interne de l'appareil soit achevée. Réglez ensuite d'abord Home Connect®.

L'appli Home Connect® vous guide tout au long du processus de connexion. Suivez les étapes prescrites par l'application Home Connect® pour procéder aux réglages.

Conseils

- Pour ce faire, observez les documents Home Connect® fournis.
- Observez également les consignes dans l'application Home Connect®.

Remarques

- Observez les consignes de sécurité de la présente notice d'utilisation et assurez-vous qu'elles sont également respectées si vous utilisez l'appareil via l'application Home Connect®.
→ "Sécurité", Page 23
- Les commandes sur l'appareil même ont toujours priorité. Pendant ce temps, la commande via l'application Home Connect® n'est pas possible.

10.1 Configurer Home Connect®

Exigence

- L'appareil mobile prend en charge la norme Bluetooth 4.2 ou supérieure.
 - L'appli Home Connect® est configurée sur l'appareil mobile.
1. Scannez le code QR à l'aide de l'appli Home Connect®.



2. Suivez les instructions de l'appli Home Connect®.

10.2 Activer la connexion au réseau domestique WLAN (Wi-Fi)

- ▶ Appuyez sur .

10.3 Désactiver la connexion au réseau domestique WLAN (Wi-Fi)

- ▶ Appuyez sur .

10.4 Installer la mise à jour du logiciel Home Connect®

Remarque : Si une mise à jour du logiciel Home Connect® est disponible, un message apparaît dans l'appli Home Connect®.

- ▶ Pour installer la mise à jour du logiciel Home Connect®, suivez les instructions de l'appli Home Connect®.
- ✓ Pendant l'installation, le bandeau de commande est partiellement verrouillé.

10.5 Réinitialisez les réglages Home Connect®

Si vous rencontrez des problèmes de connexion de votre appareil à votre réseau domestique WLAN (Wi-Fi) ou si vous souhaitez enregistrer votre appareil dans un autre réseau domestique WLAN (Wi-Fi), vous pouvez réinitialiser les réglages de Home Connect®.

- ▶ Maintenez enfoncé pendant 6 secondes jusqu'à ce que alarm s'éteigne.
- ✓ Les réglages de Home Connect® sont réinitialisés.

10.6 Protection des données

Observez les consignes de protection des données. Lors de la première connexion de votre appareil à un réseau domestique branché à Internet, votre appareil transmet les catégories de données suivantes au serveur Home Connect® (premier enregistrement) :

- Code d'appareil univoque (constitué de clés d'appareil ainsi que de l'adresse MAC du module de communication Wi-Fi intégré).
- Certificat de sécurité du module de communication Wi-Fi (pour la protection des informations de la connexion).
- La version actuelle du logiciel et du matériel de l'électroménager.
- État d'une précédente restauration éventuelle des réglages d'usine.

Ce premier enregistrement prépare l'utilisation des fonctions Home Connect® et ne s'avère nécessaire qu'au moment où vous voulez utiliser les fonctions Home Connect® pour la première fois.

Remarque : Veuillez noter que les fonctions Home Connect® ne sont utilisables qu'avec l'application Home Connect®. Vous pouvez consulter les informations sur la protection des données dans l'application Home Connect®.

11 Compartiment réfrigération

Vous pouvez entreposer des produits laitiers, des œufs, des plats cuisinés, des pâtisseries, des conserves ouvertes et des fromages à pâte dure dans le compartiment fraîcheur.

La température est réglable de 42 °F (1 °C) à 34 °F (6 °C).

Le stockage au froid vous permet aussi de ranger des denrées facilement périssables à court et moyen terme. Plus la température choisie est basse, plus les aliments restent frais plus longtemps.

11.1 Conseils pour ranger des produits alimentaires dans le compartiment réfrigération

- Stockez uniquement des aliments frais et intacts.
- Conservez les aliments dans un récipient hermétique ou couvert.

- Pour ne pas entraver la circulation de l'air et pour éviter que les aliments ne gèlent, ne placez pas les aliments en contact direct avec la paroi arrière.
- Laissez les boissons et aliments chauds refroidir avant de les ranger.
- Respectez la date de péremption ou la date limite d'utilisation indiquée par le fabricant.

11.2 Zones froides dans le compartiment réfrigération

L'air circulant dans le compartiment réfrigération engendre des zones différemment froides.

Zone la plus froide

La zone la plus froide se trouve dans le bac de rangement.

Conseil : Rangez les aliments périssables dans la zone la plus froide, par ex. le poisson, la charcuterie et la viande.

Zone la moins froide

La zone la moins froide se trouve complètement en haut, contre la porte.

Conseil : Rangez-y par ex. les fromages à pâte dure et le beurre. Le fromage peut ainsi continuer à développer son arôme, tandis que le beurre reste facile à tartiner.

12 Compartiment congélation

Dans le compartiment congélation, vous pouvez stocker des aliments congelés, congeler des aliments et confectionner des glaçons.

La température est réglable de 6 °F (-14 °C) à -7 °F (-22 °C).

La température de stockage à long terme des aliments doit se situer à 0 °F (-18 °C) ou encore plus bas.

La congélation vous permet de stocker les aliments facilement périssables à long terme. Les basses températures ralentissent ou stoppent la l'altération des aliments.

12.1 Conseils pour ranger des aliments dans le compartiment congélation

- Conservez les aliments dans des emballages hermétiques.
- Veillez à ce que les aliments à congeler n'entrent pas en contact avec d'autres déjà congelés.
- Répartissez les produits alimentaires sur une grande surface dans les bacs à produits congelés.
- Pour congeler de grandes quantités d'aliments frais rapidement et en douceur, placez-les dans le bac à produits congelés le plus bas.
- Pour que l'air puisse circuler librement dans l'appareil, introduisez le bac à produits congelés jusqu'en butée.

12.2 Conseils pour congeler des aliments frais

- Congelez uniquement des aliments frais et d'un aspect impeccable.
- Congelez les aliments en portions.
- Les plats cuisinés sont plus appropriés que les aliments crus comestibles.

- Lavez, hachez et blanchissez les légumes avant de les congeler.
- Avant la congélation, lavez les fruits, retirez les pépins et épluchez les fruits si nécessaire, ajoutez du sucre ou une solution d'acide ascorbique si nécessaire.
- Les produits de boulangerie, le poisson et les fruits de mer, la viande, le gibier et la volaille, les œufs sans coquille, le fromage, le beurre, le caillé, les plats préparés et les restes se prêtent à la congélation.
- La laitue, les radis, les œufs en coquille, les raisins, les pommes et poires crues, le yaourt, la crème aigre, la crème fraîche et la mayonnaise ne se prêtent pas à la congélation.

Emballer les surgelés

Un matériau d'emballage approprié et le bon type d'emballage sont essentiels pour maintenir la qualité du produit et éviter les brûlures de congélation.

1. Placez les aliments dans l'emballage.
2. Pressez pour chasser l'air.
3. Fermez hermétiquement l'emballage afin que les aliments ne perdent pas leur saveur ou ne se dessèchent pas.
4. Indiquez sur l'emballage le contenu et la date de congélation.

12.3 Méthodes de décongélation pour aliments congelés

MISE EN GARDE

Lors de la décongélation, les bactéries peuvent se multiplier et les aliments congelés peuvent s'abîmer.

- ▶ Ne remettez pas à congeler des produits alimentaires partiellement ou entièrement décongelés.
- ▶ Ne recongelez les aliments qu'après avoir les avoir fait cuire ou rôtir.
- ▶ N'utilisez plus la durée de conservation dans son intégralité.
- Décongelez les aliments d'origine animale dans le réfrigérateur, par exemple le poisson, la viande, le fromage et le lait caillé.
- Décongelez le pain à température ambiante.
- Préparez les aliments au micro-ondes, au four ou sur la cuisinière pour une consommation immédiate.

13 Système hydraulique

Votre appareil est doté de composants contenant de l'eau. Désactivez la production de glaçons avant de débrancher l'appareil du raccord d'eau potable.

13.1 Filtre à eau

Le filtre à eau filtre les particules et le goût de chlore de l'eau.

Le filtre à eau réduit d'autres impuretés, par exemple les chloramines, le plomb et les produits pharmaceutiques.

Remarque : Le filtre à eau ne filtre pas les bactéries ou microbes.

Changez le filtre à eau :

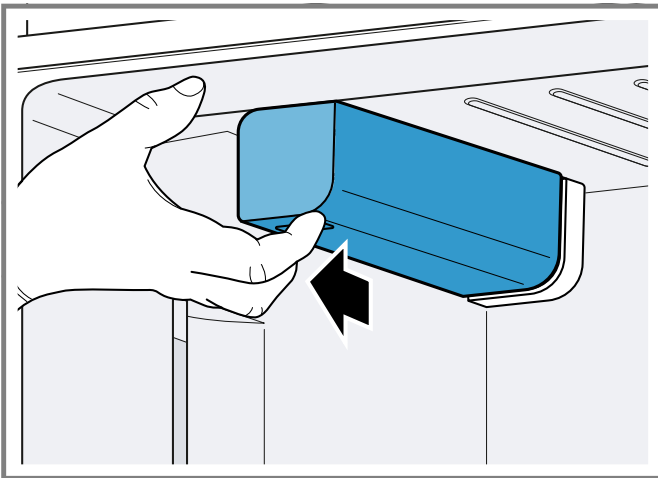
- tous les 6 mois.
- lorsque (filter) clignote.
- lorsque le débit d'eau est visiblement réduit.

Conseils

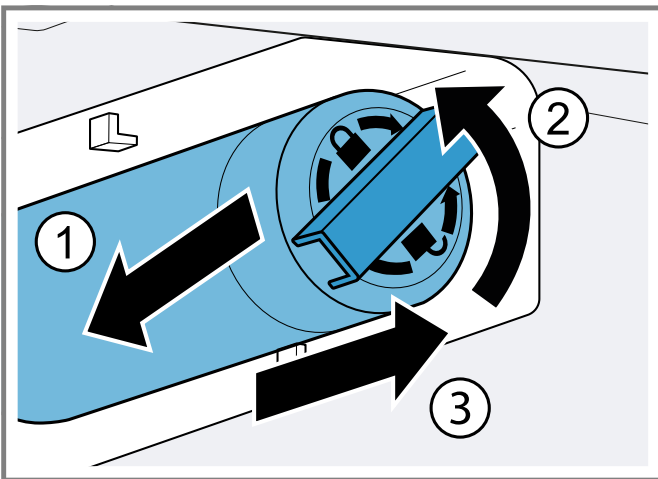
- Pour un filtre à eau neuf, adressez-vous à notre service après-vente, à votre revendeur ou consultez notre site Web.
- Si vous ne souhaitez pas utiliser de filtre à eau dans votre appareil ou faire installer un système de filtre à eau externe, vous pouvez remplacer le filtre à eau de façon permanente par un capuchon bypass. Le capuchon bypass filtre uniquement les particules grossières de l'eau et peut être nettoyé si nécessaire. Pour un capuchon bypass, adressez-vous à notre service après-vente ou consultez notre site Web.

Changer le filtre à eau ou le remplacer par un capuchon bypass

1. Agrippez le couvercle du filtre par la rainure située en-dessous, tirez-le légèrement vers l'avant et retirez-le.



2. Tournez le filtre à eau de 90° dans le sens inverse des aiguilles d'une montre ① et retirez ②.
 - Retirez le filtre à eau avec précaution car il peut se trouver sous pression.

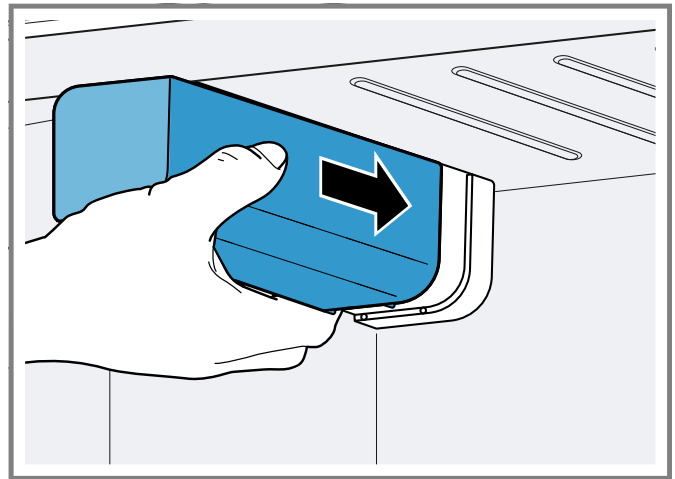


Remarque : Une partie de l'eau s'égoutte du filtre à eau lorsque vous le retirez. Essayez l'eau qui s'égoutte avec un essuie-tout sec.

Conseil : Vous pouvez jeter le filtre à eau usé avec les ordures ménagères.

3. Poussez le nouveau filtre à eau ou capuchon bypass jusqu'en butée dans l'ouverture du filtre, puis faites-le pivoter à 90° dans le sens horaire.

4. Poussez le couvercle du filtre sur le filtre à eau vers l'arrière jusqu'en butée.



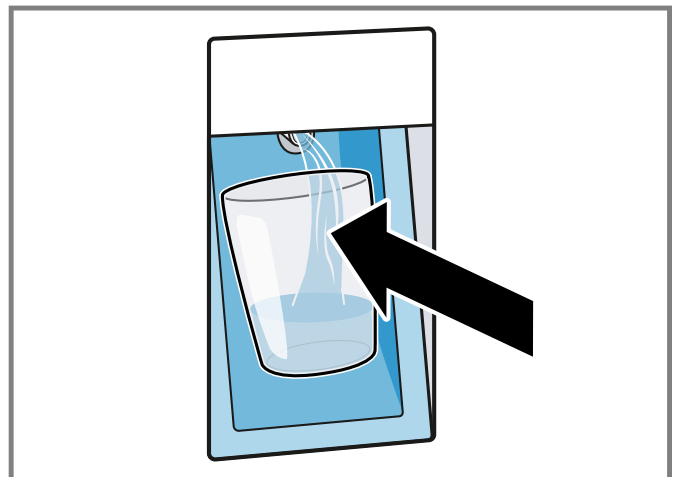
5. Jetez tous les glaçons produits au cours des premières 24 heures, prélevez de l'eau pendant 5 minutes et jetez-la.

13.2 Distributeur d'eau

Prélevez de l'eau filtrée du distributeur d'eau.

Prélever de l'eau

- ▶ Appuyez le verre contre le bouton de retrait.
 - Si aucune eau n'a été prélevée pendant les dernières 48 heures, son goût peut ne pas être frais.
 - Si aucune eau n'a été prélevée pendant 5 jours, rincez le système hydraulique. Pour rincer le système hydraulique, prélevez 2 litres d'eau.



13.3 Distributeur de glaçons

Utilisez le distributeur de glaçons pour produire des glaçons.

⚠ AVERTISSEMENT

- Les pièces rotatives peuvent provoquer des blessures.
- ▶ Ne passez jamais la main sous ou dans le distributeur de glaçons.

Remarque : Le distributeur de glaçons détecte automatiquement que la réserve à glaçons est pleine et arrête la production de glaçons. Le remplissage de la réserve à glaçons peut prendre jusqu'à 48 heures.

Conseil : Si les glaçons ont un goût désagréable, jetez les glaçons restants et la production de glaçons des 24 heures suivantes. Si les glaçons continuent à avoir mauvais goût par la suite, changez le filtre à eau.

Mettre en service le distributeur de glaçons

Remarques

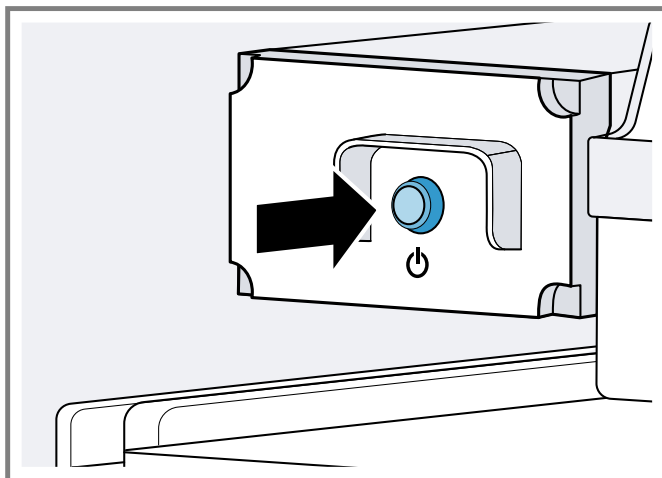
- La production de glaçons démarre dès que l'appareil est allumé et que le compartiment congélation a atteint la température réglée.
- Les premiers glaçons sont prêts environ 4 heures après que le compartiment congélation ait atteint la température réglée.

Exigence : L'appareil est raccordé à l'eau potable.

- ▶ Pour des raisons d'hygiène, jetez tous les glaçons produits pendant les 24 premières heures.

Lancer la production de glaçons

- ▶ Appuyez sur la touche du distributeur de glaçons.

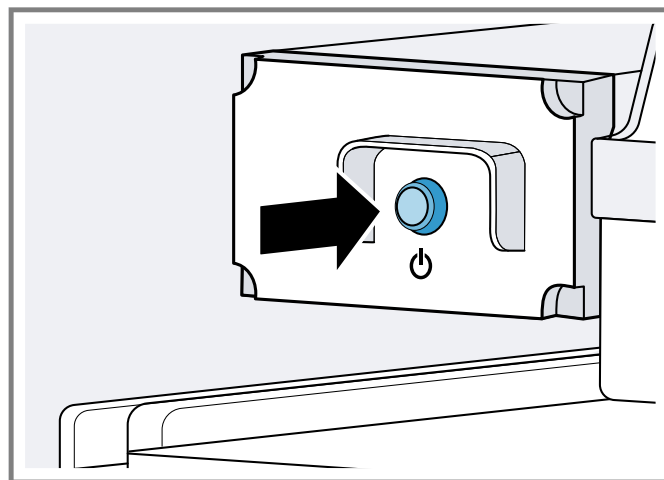


- ✓ La touche du distributeur de glaçons s'allume.

Remarque : En appuyant sur le bouton du distributeur de glaçons pendant 3 secondes, vous réinitialisez l'état de changement du filtre.

Arrêter la production de glaçons

- ▶ Appuyez sur la touche du distributeur de glaçons.



- ✓ La touche du distributeur de glaçons s'éteint.

Remarque : En appuyant sur le bouton du distributeur de glaçons pendant 3 secondes, vous réinitialisez l'état de changement du filtre.

14 Dégivrer

14.1 Dégivrer le compartiment congélation

Grâce au système « NoFrost » entièrement automatique, le compartiment congélation ne se couvre pas de givre. Aucun dégivrage n'est nécessaire. Aucun dégivrage n'est nécessaire.

15 Nettoyage et entretien

Pour que votre appareil reste longtemps opérationnel, nettoyez-le et entretenez-le avec soin. Le nettoyage de points inaccessibles doit être réalisé par le service après-vente. Le nettoyage par le service après-vente peut engendrer des frais.

15.1 Préparer l'appareil pour le nettoyage

1. Éteindre l'appareil. → *Page 30*
2. Débranchez l'appareil du réseau électrique.
Retirez la fiche du cordon d'alimentation secteur ou désactivez le fusible dans la boîte à fusibles.
3. Retirez tous les aliments de l'appareil et rangez-les dans un endroit frais.
Si possible, placez des accumulateurs de froid sur les aliments.
4. Retirez toutes les pièces d'équipement et les accessoires de l'appareil. → *Page 36*
5. Retirez les rails du compartiment dans la contreporte.
→ *Page 37*

15.2 Nettoyer l'appareil

⚠ AVERTISSEMENT

L'humidité qui pénètre peut occasionner une électrocution.

- ▶ N'utilisez pas de nettoyeur haute pression ou de nettoyeur à vapeur pour nettoyer l'appareil.

AVIS :

Les produits de nettoyage inappropriés risquent d'endommager la surface de l'appareil.

- ▶ N'utilisez pas de tampon abrasif ni d'éponge en laine d'acier.
- ▶ N'utilisez pas de produits de nettoyage agressifs ou récurants.
- ▶ N'utilisez pas de produits de nettoyage fortement alcoolisés,
- ▶ N'utilisez pas de nettoyant pour acier inox sur le côté extérieur de l'appareil.

Si vous nettoyez les pièces d'équipement et les accessoires au lave-vaisselle, ceux-ci risquent de se déformer ou de déteindre.

- ▶ Ne nettoyez jamais les équipements et accessoires au lave-vaisselle.

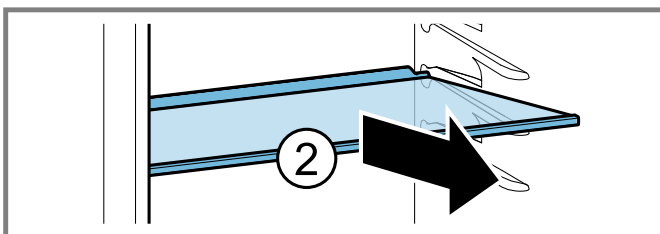
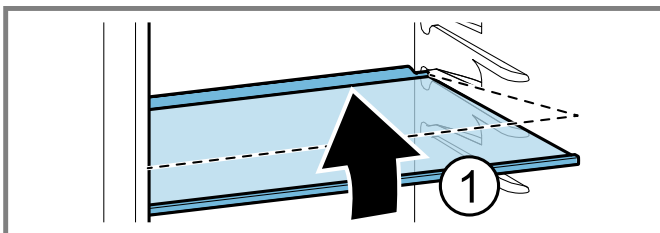
1. Préparez l'appareil pour le nettoyage. → *Page 35*
Nettoyez avec un chiffon à vaisselle, de l'eau tiède et un peu de liquide vaisselle au pH neutre :
 - le côté extérieur de l'appareil
 - le côté intérieur de l'appareil
 - les pièces d'équipement
 - les accessoires
 - les joints de porte
3. Séchez ensuite minutieusement avec un chiffon doux et sec.
4. Insérez les pièces d'équipement et montez les pièces de l'appareil.
5. Raccordez l'appareil électriquement. → *Page 27*
6. Rangez les aliments.

15.3 Retirer les pièces d'équipement

Si vous souhaitez nettoyer soigneusement les pièces d'équipement, retirez celles-ci de votre appareil.

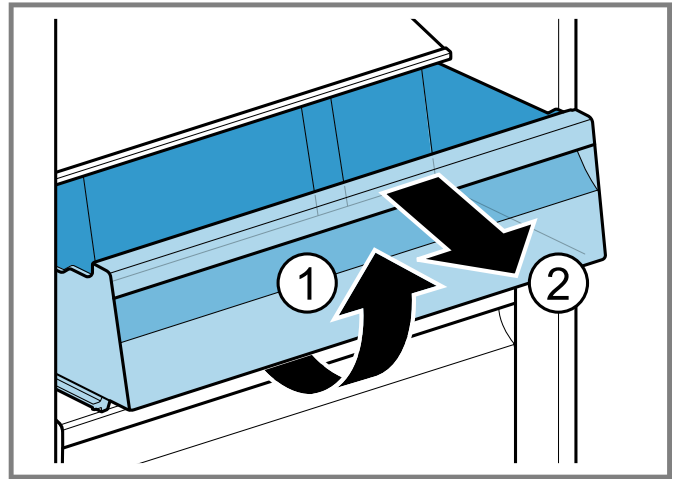
Retirer la clayette

- ▶ Soulevez la clayette vers l'avant ①, tirez-la et retirez-la ②.



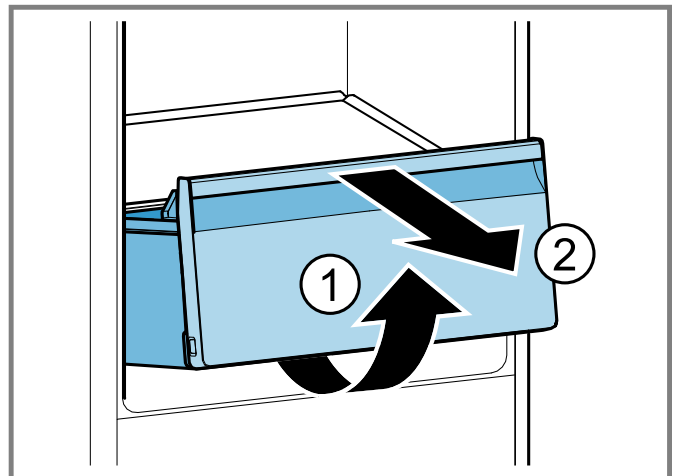
Retirer le bac de rangement

1. Extrayez le bac de rangement jusqu'en butée.
2. Soulevez le bac de rangement à l'avant ① et retirez-le ②.



Retirer le bac à fruits et légumes

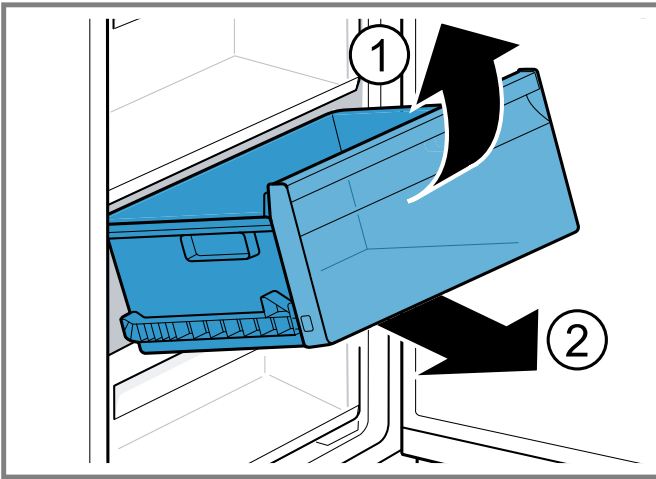
1. Extrayez le bac à fruits et légumes jusqu'en butée.
2. Soulevez le bac à fruits et légumes vers l'avant ① et retirez-le ②.



Retirer le bac à produits congelés

1. Extrayez le bac à aliments congelés jusqu'en butée.

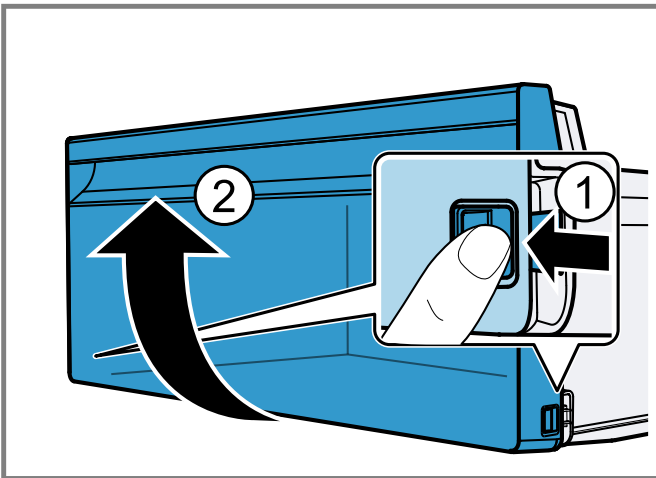
2. Soulevez l'avant du bac à produits congelés ① et retirez-le ②.



Retirer la façade du bac

Vous pouvez retirer la façade du bac à fruits et légumes et du bac à aliments surgelés pour faciliter le nettoyage.

- Appuyez sur les crochets de fixation latéraux du bac ① et retirez la façade du bac par un mouvement de rotation ②.



Retirer la réserve à glaçons

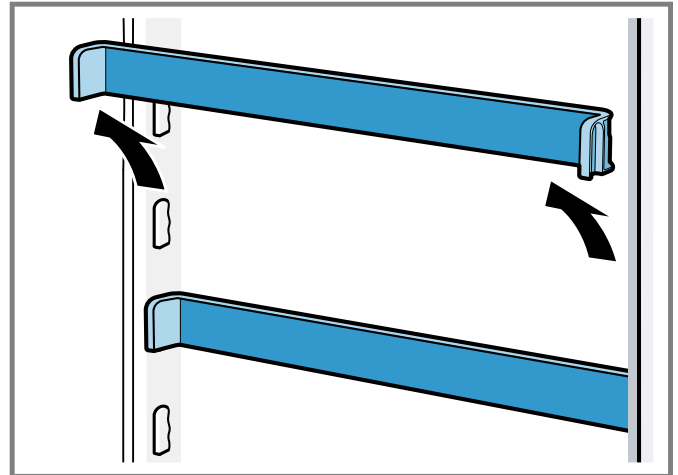
1. Tirez le récipient plat pour aliments congelés aussi loin que possible.
2. Soulevez la réserve à glaçons vers l'avant et retirez-la.

15.4 Démontez les pièces de l'appareil

Si vous souhaitez effectuer un nettoyage complet de votre appareil, vous pouvez retirer certaines pièces de votre appareil.

Démontez les rails du compartiment de contre-porte

- Soulevez les rails du compartiment de contre-porte et retirez-les.



16 Dépannage

Vous pouvez éliminer vous-même les défauts mineurs de votre appareil. Veuillez lire les informations de dépannage avant de contacter le service à la clientèle. Cela peut éviter des frais de réparation inutiles.

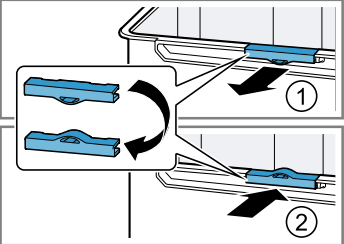
- ▶ Afin d'écartier tout danger, quand le cordon d'alimentation de cet appareil est endommagé, seul le fabricant, son service à la clientèle ou toute autre personne de qualification équivalente est habilité à le faire.

AVERTISSEMENT

Les réparations non conformes sont dangereuses.

- ▶ Seules des pièces de rechange d'origine peuvent être utilisées pour réparer l'appareil.

Défaut	Cause et dépannage
L'appareil ne réfrigère pas, les affichages et l'éclairage sont allumés.	L'appareil se trouve sur le mode Exposition. 1. Éteignez l'appareil. → <i>Page 30</i> 2. Patientez 2 minutes. 3. Rallumez l'appareil. → <i>Page 30</i> 4. Patientez 1 minute, puis maintenez super cool enfoncé jusqu'à ce que 4 signaux sonores retentissent. 5. Vérifiez après un court laps de temps si l'appareil réfrigère.
L'éclairage par LED ne fonctionne pas.	Ce problème peut avoir de nombreuses causes. ▶ Appelez le service après-vente. → <i>"Service à la clientèle", Page 41</i>
Les parois latérales de l'appareil sont chaudes.	Il ne s'agit pas d'un défaut. Les tuyaux coulent dans les parois latérales et chauffent pendant le processus de refroidissement. La chaleur n'abîme pas les meubles qui touchent l'appareil. Aucune action nécessaire.
Home Connect® ne fonctionne pas correctement.	Ce problème peut avoir de nombreuses causes. ▶ Rendez-vous sur www.home-connect.com .
Les affichages de température et alarm off s'allument.	Un capteur est défectueux. ▶ Appelez le service après-vente. → <i>"Service à la clientèle", Page 41</i>
Une alarme sonore retentit, la température réglée (réfrigérateur) et alarm off clignotent.	La porte du réfrigérateur est ouverte. ▶ Fermez la porte du réfrigérateur.
Une alarme sonore retentit, la température réglée (congélateur) et alarm off clignotent.	Ce problème peut avoir de nombreuses causes. ▶ Appuyez sur alarm off. ✓ L'alarme s'éteint. La porte du congélateur est ouverte. ▶ Fermez la porte du congélateur. Les orifices de ventilation extérieurs sont recouverts. ▶ Retirez les obstacles situés devant les orifices de ventilation extérieurs.
La température réglée n'est pas atteinte. Le dégivrage entièrement automatique ne fonctionne plus.	L'appareil est rempli de grandes quantités de produits alimentaires frais. ▶ Ne dépassez pas la capacité de congélation. La porte du compartiment congélation est restée ouverte pendant longtemps. L'évaporateur (générateur de froid) du système NoFrost est très fortement givré. Exigence : Les aliments congelés sont stockés dans un endroit frais et sont bien isolés. 1. Éteignez l'appareil. → <i>Page 30</i> 2. Débranchez l'appareil du secteur. Retirez la fiche du cordon d'alimentation secteur ou désactivez le fusible dans le boîtier à fusibles. 3. Appelez le service après-vente. → <i>"Service à la clientèle", Page 41</i>

Défaut	Cause et dépannage
La température dévie fortement par rapport au réglage.	<p>Ce problème peut avoir de nombreuses causes.</p> <ol style="list-style-type: none"> 1. Éteignez l'appareil. → <i>Page 30</i> 2. Allumez à nouveau l'appareil après env. 5 minutes. → <i>Page 30</i> <ul style="list-style-type: none"> – Si la température est trop élevée, vérifiez-la à nouveau au bout de quelques heures. – Si la température est trop basse, vérifiez-la à nouveau le jour suivant.
De la condensation se forme à la surface de l'appareil et sur les clayettes à l'intérieur de l'appareil.	<p>L'eau contenue dans l'air chaud et humide se condense sur les surfaces plus froides de l'appareil.</p> <ol style="list-style-type: none"> 1. Essuyez l'eau avec un chiffon sec et doux. 2. Ouvrez l'appareil le plus brièvement possible. 3. Veillez à ce que l'appareil soit toujours correctement fermé.
De l'eau de condensation s'accumule souvent dans le bac à fruits et légumes.	<p>Suivant la quantité et la nature des produits stockés, de l'eau peut se condenser dans le bac à fruits et légumes.</p> <ol style="list-style-type: none"> 1. Retirer le bac à fruits et légumes. → <i>Page 36</i> 2. Retirez les clips de ventilation ① et insérez-les inversés ②.
	
La distribution d'eau est réduite.	<p>La pression de l'eau est basse.</p> <ul style="list-style-type: none"> ▶ Vérifiez la pression d'eau au niveau de l'alimentation en eau ou du système de filtre à eau externe, par exemple, l'installation d'osmose inverse. <p>Raccordez l'appareil uniquement à un raccordement d'eau ayant une pression suffisante.</p> <hr/> <p>Le filtre à eau est bouché.</p> <ul style="list-style-type: none"> ▶ Changez le filtre à eau.
De l'eau s'égoutte du distributeur d'eau.	<p>Le système hydraulique contient de l'air.</p> <ul style="list-style-type: none"> ▶ Retirez de l'eau jusqu'à ce qu'il n'y ait plus d'air.
Le distributeur d'eau ne fonctionne pas.	<p>Aucune alimentation en eau.</p> <ul style="list-style-type: none"> ▶ Assurez-vous qu'il y a une alimentation en eau et que la vanne d'arrêt sur le raccordement d'eau est ouverte. <p>Contactez un installateur si nécessaire.</p> <hr/> <p>Le tube d'entrée est plié.</p> <ul style="list-style-type: none"> ▶ Fermez l'alimentation en eau et redressez le coude du tuyau d'eau. <p>Si nécessaire, remplacez le tuyau d'eau.</p>
Les glaçons sont produits en quantité insuffisante.	<p>L'appareil a été raccordé.</p> <ul style="list-style-type: none"> ▶ Patientez environ 4 heures jusqu'à ce que la première production de glaçons soit prête. <hr/> <p>Le compartiment congélation a été ouvert fréquemment ou pendant une longue période.</p> <ul style="list-style-type: none"> ▶ Vérifiez au bout de quelques heures la production de glaçons. <hr/> <p>La pression de l'eau est basse.</p> <ul style="list-style-type: none"> ▶ Vérifiez la pression d'eau au niveau de l'alimentation en eau ou du système de filtre à eau externe, par exemple, l'installation d'osmose inverse. <p>Raccordez l'appareil uniquement à un raccordement d'eau ayant une pression suffisante.</p> <hr/> <p>Le filtre à eau est bouché.</p> <ul style="list-style-type: none"> ▶ Changez le filtre à eau. <hr/> <p>Des aliments ou des objets bloquent le capteur de niveau du distributeur de glaçons.</p> <ul style="list-style-type: none"> ▶ Enlevez tous les objets ou aliments du bac à glaçons. <hr/> <p>Dysfonctionnement du distributeur de glaçons.</p>

Défaut	Cause et dépannage
Les glaçons sont produits en quantité insuffisante.	<ol style="list-style-type: none"> 1. Éteignez l'appareil. → <i>Page 30</i> 2. Débranchez l'appareil du secteur. Retirez la fiche du cordon d'alimentation secteur ou désactivez le fusible dans le boîtier à fusibles. 3. Raccordez à nouveau l'appareil après 5 minutes. 4. Si le dysfonctionnement persiste, appelez le Service après-vente. → <i>Page 41</i>
Le distributeur de glaçons ne fonctionne pas.	<p>La production de glaçons est désactivée.</p> <ul style="list-style-type: none"> ▶ Lancez la production de glaçons. <p>Aucune alimentation en eau.</p> <ul style="list-style-type: none"> ▶ Assurez-vous qu'il y a une alimentation en eau et que la vanne d'arrêt sur le raccordement d'eau est ouverte. Contactez un installateur si nécessaire. <p>Le tube d'entrée est plié.</p> <ul style="list-style-type: none"> ▶ Fermez l'alimentation en eau et redressez le coude du tuyau d'eau. Si nécessaire, remplacez le tuyau d'eau. <p>Dysfonctionnement du distributeur de glaçons.</p> <ol style="list-style-type: none"> 1. Éteignez l'appareil. → <i>Page 30</i> 2. Débranchez l'appareil du secteur. Retirez la fiche du cordon d'alimentation secteur ou désactivez le fusible dans le boîtier à fusibles. 3. Raccordez à nouveau l'appareil après 5 minutes. 4. Si le dysfonctionnement persiste, appelez le Service après-vente. → <i>Page 41</i>
L'appareil vrombit, fait des bulles, des bourdonnements, des cliquetis, des claquements ou des grondements.	Il ne s'agit pas d'un défaut. Un moteur tourne, par ex. groupe frigorifique, ventilateur. Du fluide frigorigène circule dans les tuyaux. Le moteur, les interrupteurs, les électrovannes et les vannes à eau s'allument ou s'éteignent. Le dégivrage automatique est en cours. Les glaçons tombent dans le bac à glaçons. Aucune action nécessaire.
L'appareil émet des bruits.	<p>L'appareil ne repose pas d'aplomb.</p> <ul style="list-style-type: none"> ▶ Nivelez l'appareil à l'aide d'un niveau à bulle et des pieds à vis. <p>L'appareil n'est pas posé de manière indépendante.</p> <ul style="list-style-type: none"> ▶ Respectez les distances minimales de l'appareil. <p>Les pièces d'équipement vacillent ou se coincent.</p> <ul style="list-style-type: none"> ▶ Vérifiez les pièces d'équipement amovibles et remettez-les éventuellement en place correctement. <p>Des bouteilles ou récipients se touchent.</p> <ul style="list-style-type: none"> ▶ Écartez les récipients ou bouteilles les uns des autres. <p>La fonction Super-congélation est activée. Aucune action nécessaire.</p>

16.1 Panne de courant

En cas de panne de courant, la température à l'intérieur de l'appareil augmente, ce qui raccourcit la durée de conservation et réduit la qualité des aliments congelés.

Remarques

- Ouvrez l'appareil le moins possible en cas de panne de courant et ne stockez pas d'autres aliments.

- Vérifiez la qualité des aliments immédiatement après la panne de courant.
 - Jetez les aliments congelés qui sont décongelés et dont la température est supérieure à 41 °F (5 °C).
 - Faites bouillir ou frire des aliments congelés légèrement décongelés et consommez-les ou recongelez-les.

16.2 Effectuer l'auto-test de l'appareil

Votre appareil dispose d'un autotest qui indique les dysfonctionnements auxquels votre service après-vente peut remédier.

1. Éteindre l'appareil. → *Page 30*

2. Débranchez l'appareil du réseau électrique.

Retirez la fiche du cordon d'alimentation secteur ou désactivez le fusible dans la boîte à fusibles.

3. Raccordez l'appareil à l'alimentation électrique après 5 minutes. → *Page 27*
4. Dans la minute qui suit le branchement électrique, maintenez **super cool** enfoncé pendant 3 à 5 secondes jusqu'à ce que le deuxième signal sonore retentisse.
 - ✓ L'auto-test de l'appareil démarre lorsque les affichages de la température s'allument les uns après les autres.

- ✓ Si, à la fin de l'auto-test, 2 signaux sonores retentissent et si l'affichage de la température indique la température réglée, cela signifie que votre appareil fonctionne correctement. L'appareil revient en fonctionnement normal.
- ✓ Si vous entendez 5 signaux sonores à la fin de l'autotest de l'appareil et que les LED d'affichage de la température s'allument avec une luminosité différente, contactez le service après-vente. Les LEDs fournissent des informations sur la panne au service après-vente.

17 Entreposage et mise au rebut

17.1 Mettre l'appareil hors service

1. Éteindre l'appareil. → *Page 30*
2. Débranchez l'appareil du réseau électrique.
Retirez la fiche du cordon d'alimentation secteur ou désactivez le fusible dans la boîte à fusibles.
3. Retirez tous les aliments.
4. Démontez le filtre à eau.
5. Nettoyez l'appareil. → *Page 36*
6. **AVIS** : Des objets coincés entre la porte et la boîtier risque d'endommager la charnière de porte.
 - ▶ Ouvrez la porte jusqu'à ce qu'elle reste ouverte d'elle-même.
 - ▶ Ne pas coincer d'objets entre la porte et le boîtier.
 Afin de garantir la ventilation de l'espace intérieur, laissez l'appareil ouvert.

17.2 Éliminer un appareil usagé

L'élimination dans le respect de l'environnement permet de récupérer de précieuses matières premières.

AVERTISSEMENT

Les enfants risquent de s'enfermer dans l'appareil et de mettre leur vie en danger.

- ▶ Retirez les portes de l'appareil.
- ▶ Pour compliquer la pénétration des enfants dans l'appareil, ne retirez pas les clayettes et les bacs.
- ▶ Éloignez les enfants de l'appareil qui a cessé de servir.

AVERTISSEMENT

En cas d'endommagement des tuyaux, du fluide frigorigène inflammable et des gaz nocifs peuvent s'échapper et s'enflammer.

- ▶ Veillez à ne pas endommager les tubulures du circuit frigorigère, ni l'isolant.
1. Débranchez la fiche du secteur.
 2. Coupez le câble de raccordement secteur.
 3. Éliminez l'appareil dans le respect de l'environnement.
Pour connaître les circuits d'élimination actuels, veuillez vous adresser à votre revendeur ou à votre administration municipale.

18 Service à la clientèle

Lors de toute réparation réalisée dans le cadre de la garantie, nous nous assurons que votre appareil est réparé avec des pièces de rechange d'origine par un technicien dûment formé et agréé. Nous utilisons exclusivement des pièces de rechange d'origine lors des réparations.

Pour plus d'informations sur la durée et les conditions de la garantie dans votre pays, consultez nos modalités de garantie auprès de votre détaillant ou sur notre site Web. Si vous contactez le service à la clientèle, indiquez le numéro de modèle (E-Nr.), le numéro de fabrication (FD) et le numéro de comptage (Z-Nr.) de l'appareil.

USA:

1-800-944-2904

www.bosch-home.com/us/owner-support/get-support

www.bosch-home.com/us/shop

CA:

1-800-944-2904

www.bosch-home.ca/en/service/get-support

www.bosch-home.ca/en/service/cleaners-and-accessories

Vous trouverez également de l'aide pour contacter Home Connect® à l'adresse suivante :

www.home-connect.com/us/en/help-support/set-up

18.1 Numéro de modèle (E-Nr.), numéro de fabrication (FD) et numéro de comptage (Z-Nr.)

Le numéro de modèle (E-Nr.), le numéro de fabrication (FD) et le numéro de comptage (Z-Nr.) sont indiqués sur la plaque signalétique de l'appareil.

→ "Appareil", Fig.  7, Page 28

Pour retrouver rapidement les données de votre appareil et le numéro de téléphone du service à la clientèle, n'hésitez pas à les recopier ailleurs.

19 Données techniques

La plaque signalétique mentionne le fluide frigorigère, le volume net ainsi que d'autres données techniques.

→ "Appareil", Fig.  7, Page 28

19.1 Informations sur le logiciel libre

Ce produit comprend des composants logiciels distribués à titre de logiciel libre par le détenteur du droit d'auteur. Les informations de licence correspondantes sont énoncées sur l'électroménager. Il est également possible d'accéder aux informations de licence via l'application Home Connect®; « Profil -> Consignes légales -> Informations de licence ».¹ Vous pouvez télécharger les informations de licence sur le site Web du produit de marque. (Veuillez rechercher votre modèle d'appareil et la documentation connexe sur le site Web du produit.) Vous pouvez également demander les informations nécessaires par courriel à l'adresse ossrequest@bshg.com ou par courrier à l'adresse BSH Hausgeräte GmbH, Carl-Wery-Str. 34, D-81739 München.

Le code source vous sera mis à votre disposition sur demande.

¹ selon l'équipement de l'appareil

Veillez envoyer votre demande par courriel à l'adresse ossrequest@bshg.com ou par courrier à l'adresse BSH Hausgeräte GmbH, Carl-Wery-Str. 34, D-81739 München.
Objet : „OSSREQUEST“

Les coûts de traitement de votre demande vous seront facturés. Cette offre est valide pour une durée de trois ans à compter de la date d'achat ou du moins pour la période durant laquelle nous offrons la prise en charge et des pièces de rechange pour l'appareil correspondant.



Thank you for buying a Bosch Home Appliance!

Register your new device on MyBosch now and profit directly from:

- **Expert tips & tricks for your appliance**
- **Warranty extension options**
- **Discounts for accessories & spare-parts**
- **Digital manual and all appliance data at hand**
- **Easy access to Bosch Home Appliances Service**

Free and easy registration – also on mobile phones:
www.bosch-home.com/welcome

BOSCH
HOME APPLIANCES
SERVICE

Looking for help? You'll find it here.

Expert advice for your Bosch home appliances, help with problems or a repair from Bosch experts.

Find out everything about the many ways Bosch can support you:

www.bosch-home.com/service

Contact data of all countries are listed in the attached service directory.

BSH Home Appliances Corporation

1901 Main Street, Suite 600

Irvine, CA 92614

USA

www.bosch-home.com

1-800-944-2904

© 2022 BSH Home Appliances Corporation



9001690638 (021123)

en-us, fr-ca