

24" Recessed Handle Special Application Dishwasher



BOSCH
Invented for life

300 Series – Black SGE53X56UC



SGE53X56UC
Black

Also available in:

Stainless Steel SGE53X55UC
White SGE53X52UC

Bosch dishwashers incorporate 18 unique sound-reducing technologies, to make Bosch the quietest dishwasher brand in North America.*

Features & Benefits

46 dBA: Quietest dishwasher brand.

Water softener ensures optimally spot-free and shiny dishes.

RackMatic® offers 3 height levels, for 9 possible rack positions.

AquaStop® Plus 4-Part leak protection prevents water damage 24/7.

24h Delay Start Timer lets you run your dishwasher at off-peak times.

General Properties

| | |
|---------------------------|-----------------------|
| Number of wash cycles | 4 |
| Number of options | 4 |
| dBA | 46 |
| Third rack | No |
| Rack adjustability | 3-step RackMatic® |
| Tub material | Stainless steel |
| Control type | Buttons |
| Concealed heating element | Yes |
| Leak protection system | 24/7 Aquastop Plus |
| Water softener | Yes |
| Five-level wash | Yes |
| ChildLock | Yes |
| Special features | 24h delay start timer |

Efficiency

| | |
|---------------------------------------|---------|
| Water usage per cycle | 2.9 |
| Energy efficiency class | Tier 1 |
| ENERGY STAR® qualified | Yes |
| Total annual energy consumption (kWh) | 259 kWh |
| Total annual water consumption (g) | 623.5 |

Capacity

| | |
|--------------------------|----|
| Number of place settings | 14 |
|--------------------------|----|



Technical Details

| | |
|---------------------------------|---------|
| Watts (W) | 1440 W |
| Current (A) | 12 Amps |
| Volts (V) | 120 V |
| Frequency (Hz) | 60 Hz |
| Power cord length | 47 1/4" |
| Minimum water pressure (lb/sin) | 7 |
| Length inlet hose (in) | 65" |
| Length outlet hose (in) | 74 7/8" |

Dimensions & Weight

| | |
|---|--------------------------------|
| Overall appliance dimensions (HxWxD) (in) | 32 1/16" x 23 9/16" x 22 9/16" |
| Required cutout size (HxWxD) (in) | 32 1/8" x 24" x 24" |
| Adjustable feet | Yes |
| Net weight (lbs) | 86 lbs |

Accessories—Optional

| | |
|---|-----------|
| Dishwasher Softener Salt (4.4 lbs) | SGZ9091UC |
| Dishwasher Drain Hose Extension 76 3/4" | SGZ1010UC |
| Dishwasher Accessory Kit | SMZ5000 |
| Anti-tarnish Silverware Cassette | SMZ5002UC |



*Based on an average of sound ratings of 24" Full Size Stainless Steel Tub dishwashers contained in major brands US & Canadian websites. Major brands defined as TraQline Top 5 Market Share (US & Canada) December 2017.

Accessories: To purchase Bosch accessories, cleaners & parts please visit www.bosch-home.com/us/store or call 1-800-944-2904 (Mon to Fri 5 am to 6 pm PST, Sat 6 am to 3 pm PST).

Notes: All height, width and depth dimensions are shown in inches. BSH reserves the absolute and unrestricted right to change product materials and specifications, at any time, without notice. Consult the product's installation instructions for final dimensional data and other details prior to making cutout.

Warranties: Please see Use & Care manual or Bosch website for statement of limited warranty.

For more information on our entire line of products, go to www.bosch-home.com/us or call 1-800-944-2904

© BSH Home Appliances Corporation. All rights reserved. Bosch is a registered trademark of Robert Bosch GmbH.

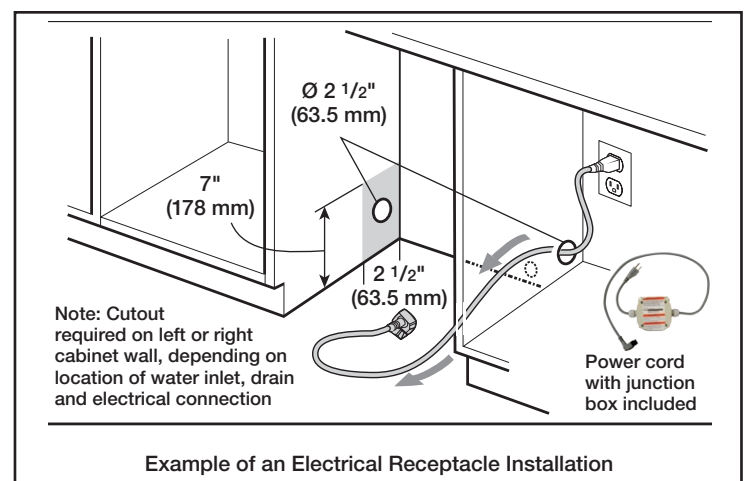
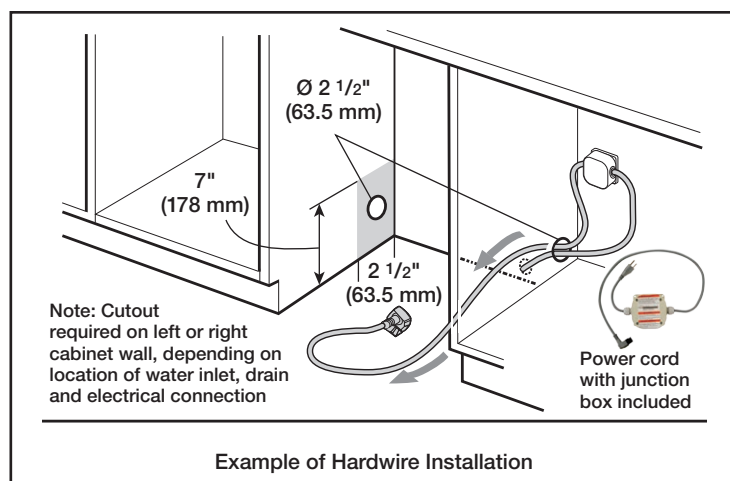
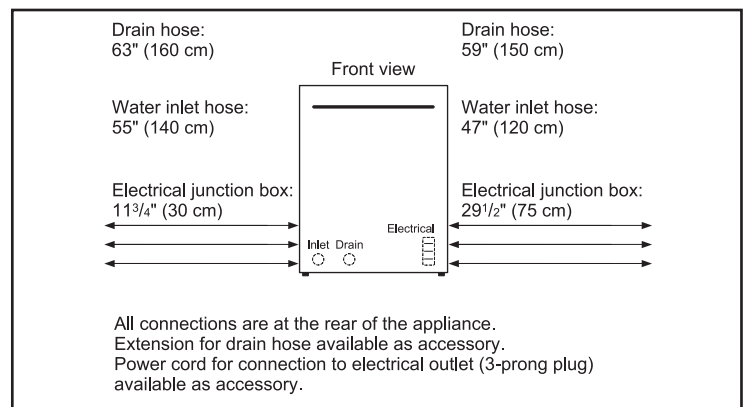
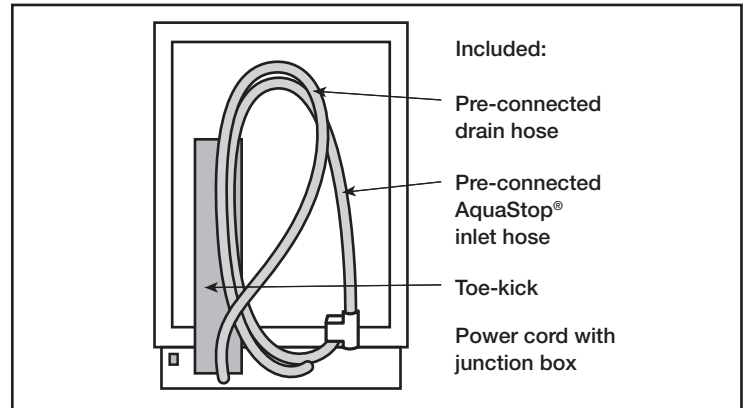
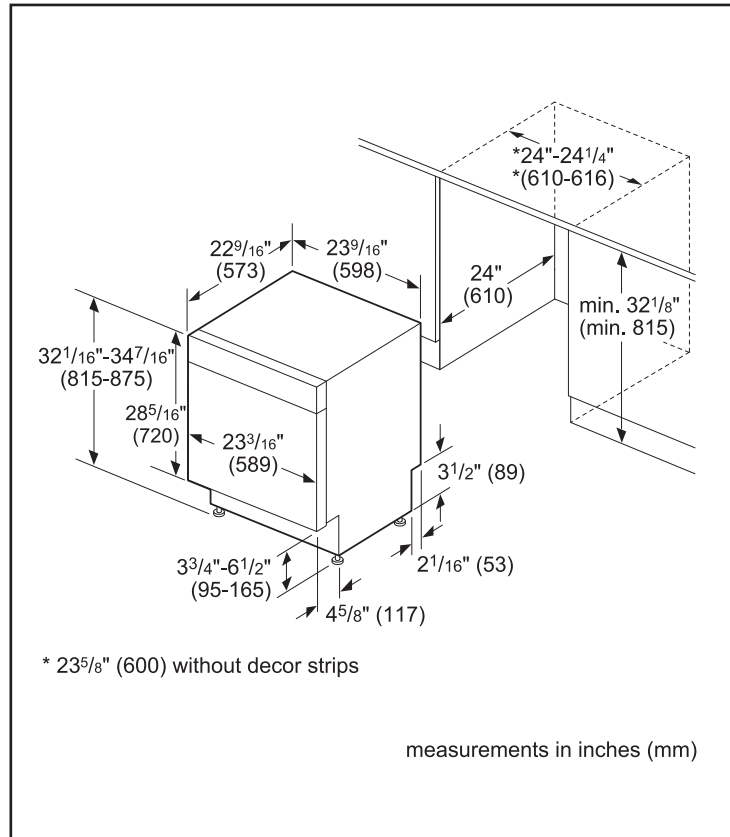
24" Recessed Handle Special Application Dishwasher



BOSCH
Invented for life

300 Series – Black SGE53X56UC

Installation Details



Accessories: To purchase Bosch accessories, cleaners & parts please visit www.bosch-home.com/us/store or call 1-800-944-2904 (Mon to Fri 5 am to 6 pm PST, Sat 6 am to 3 pm PST).

Notes: All height, width and depth dimensions are shown in inches. BSH reserves the absolute and unrestricted right to change product materials and specifications, at any time, without notice. Consult the product's installation instructions for final dimensional data and other details prior to making cutout.

Warranties: Please see Use & Care manual or Bosch website for statement of limited warranty.

For more information on our entire line of products, go to www.bosch-home.com/us or call 1-800-944-2904

© BSH Home Appliances Corporation. All rights reserved. Bosch is a registered trademark of Robert Bosch GmbH.

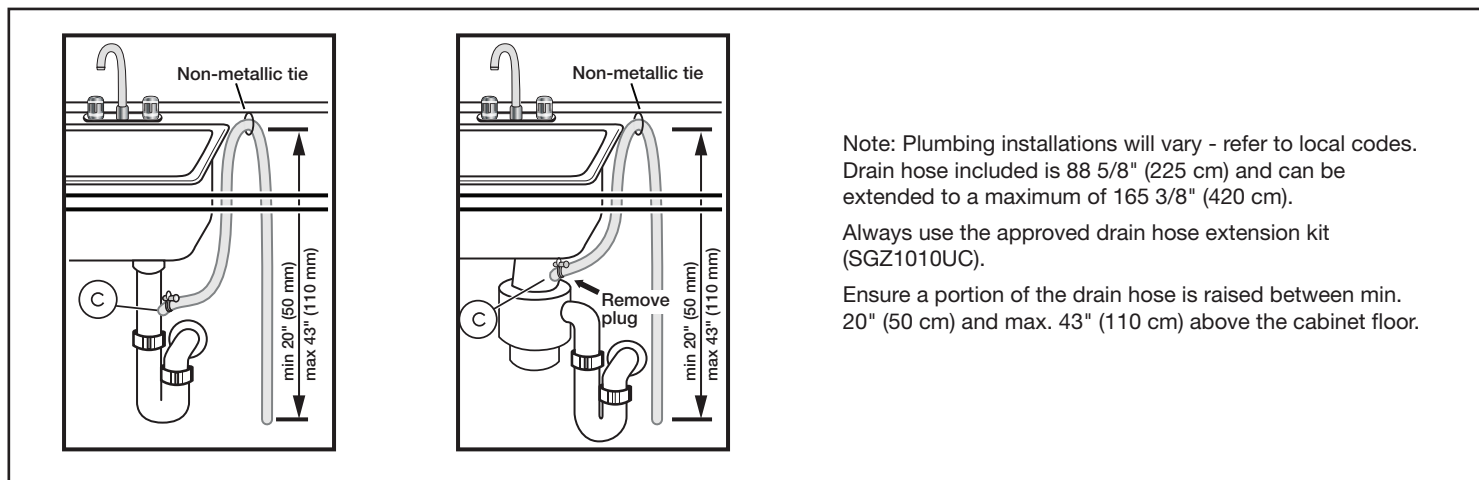
24" Recessed Handle Special Application Dishwasher



BOSCH
Invented for life

300 Series – Black SGE53X56UC

Installation Details



Accessories: To purchase Bosch accessories, cleaners & parts please visit www.bosch-home.com/us/store or call 1-800-944-2904 (Mon to Fri 5 am to 6 pm PST, Sat 6 am to 3 pm PST).

Notes: All height, width and depth dimensions are shown in inches. BSH reserves the absolute and unrestricted right to change product materials and specifications, at any time, without notice. Consult the product's installation instructions for final dimensional data and other details prior to making cutout.

Warranties: Please see Use & Care manual or Bosch website for statement of limited warranty.

For more information on our entire line of products, go to www.bosch-home.com/us or call 1-800-944-2904

© BSH Home Appliances Corporation. All rights reserved. Bosch is a registered trademark of Robert Bosch GmbH.