



**BOSCH**

**Register** your  
appliance and join  
the Bosch  
family of perks:  
[bosch-home.com/us/  
mybosch](https://bosch-home.com/us/mybosch)



# Dishwasher

<b>[en-us]</b>	Installation Instructions	Dishwasher	2
<b>[fr-ca]</b>	Instructions d'installation	Lave-vaisselle	15
<b>[es-mx]</b>	Instrucciones de instalación	Lavadora de platos	29

## Table of contents

<b>1 IMPORTANT SAFETY INSTRUCTIONS.....</b>	<b>3</b>
1.1 Safety definitions.....	3
1.2 General information.....	3
1.3 Safe Installation .....	3
1.4 Electrical safety.....	3
1.5 State of California Proposition 65 Warnings .....	4
<b>2 Before you begin.....</b>	<b>5</b>
2.1 Inspect the Dishwasher .....	5
2.2 Parts Included .....	5
2.3 Tools and Parts Needed .....	5
2.4 Pre-install Checklist.....	6
2.5 Electrical Requirements .....	6
2.6 Cabinet Requirements .....	6
<b>3 Installation Preparation .....</b>	<b>7</b>
<b>4 Installation Procedure .....</b>	<b>7</b>
4.1 Attach Water Inlet Hose .....	7
4.2 Attach Drain Hose.....	8
4.3 Pre-level the Dishwasher .....	8
4.4 Attach Power Cord.....	9
4.5 Mounting Brackets .....	9
4.6 Install Dishwasher in Cabinet Space.....	10
4.7 Level the Dishwasher.....	11
4.8 Secure the Dishwasher .....	11
<b>5 Dishwasher Connection .....</b>	<b>12</b>
5.1 Installing the Water Inlet Connection.....	12
5.2 Installing the Drain Connection .....	13
5.3 Electrical Connection and Test Cycle.....	13
5.4 Attach the Toe Panel.....	14
<b>6 Customer Service .....</b>	<b>14</b>
6.1 Model number (E-Nr.) and production number (FD) .....	14



# IMPORTANT SAFETY INSTRUCTIONS

## READ AND SAVE THESE INSTRUCTIONS

Read all instructions carefully before use. These precautions will reduce the risk of electrical shock, fire and injury to persons. When using kitchen appliances, basic safety precautions must be followed including those in the following pages.

### 1.1 Safety definitions

Here you can find explanations of the safety signal words used in this manual.

#### **WARNING**

This indicates that death or serious injuries may occur as a result of non-observance of this warning.

#### **CAUTION**

This indicates that minor or moderate injuries may occur as a result of non-observance of this warning.

#### **NOTICE:**

This indicates that damage to the appliance or property may occur as a result of non-compliance with this advisory.

**Note:** This alerts you to important information and/or tips.

### 1.2 General information

To reduce the risk of fire, electrical shock, or serious injury, observe the following.

- Read and understand all instructions before using the appliance.
- Keep the provided documents in a safe place for future reference or for the next owner.
- Do not connect the appliance if it has been damaged in transit.
- Severe product damage and/or injury could result from the use of unqualified service technicians or non-original parts. All repairs must be performed by an authorized service provider using only original equipment factory replacement parts.
- NSF/ANSI 184 Certified residential dishwashers are not intended for licensed food establishments.

### 1.3 Safe Installation

Follow these safety instructions when installing the appliance.

- These instructions are intended for use by qualified installers only. The dishwasher must be installed by a qualified technician or installer.

- The dishwasher drain hose must be installed with a portion of it at least 33" (84 cm) off the floor; otherwise the dishwasher may not drain properly.
- This dishwasher is not for outdoor use. It is intended for indoor residential use only, and should not be used in commercial food service establishments.
- This dishwasher is designed to be enclosed on the top and both sides by cabinetry.
- **NEW INSTALLATION** - If the dishwasher is a new installation, ensure all connections are properly made before the dishwasher is moved into place.
- **REPLACEMENT** - If the dishwasher is replacing another dishwasher, check the existing dishwasher connections for compatibility with the new dishwasher, and replace parts as necessary.
- This appliance has been found to be in compliance with CAN/CSA-C22.2 No. 167/UL 749. It is the responsibility of the owner and the installer to determine if additional requirements and standards apply in specific installations.

#### **WARNING**

Under certain conditions, hydrogen gas may be produced in a hot water system that has not been used for two weeks or more. Hydrogen gas is explosive.

- ▶ Before using a dishwasher that is connected to a hot water system that has been unused for two weeks or longer, turn on all hot water faucets and let the water flow from each for several minutes. This will release any accumulated hydrogen gas. As the gas is explosive, do not smoke or use an open flame during this time.

### 1.4 Electrical safety

Follow these safety instructions to avoid electrical shock.

- The dishwasher must be properly grounded before operating. This appliance must be connected to a grounded metal permanent wiring system or an equipment grounding conductor must be run with the circuit conductors and connected to the equipment grounding terminal or lead on the dishwasher.
- **DO NOT** use an extension cord
- **DO NOT** reuse an old power cord; only use the cord provided.
- Make sure that the dishwasher is connected to a suitable ground in compliance with all local codes or, in the absence of a local code, with the NATIONAL



# IMPORTANT SAFETY INSTRUCTIONS

## READ AND SAVE THESE INSTRUCTIONS

ELECTRICAL CODE in the United States or the CANADIAN ELECTRIC CODE C22.1-latest edition in Canada as well as any provincial/state or municipal or local codes that apply

- Installations requiring hard wiring and terminal block - The accessory terminal block/junction box model, SMZPCJB1UC, designed for permanent wire connection, is not included but can be ordered through Customer Service by calling 1-800-944-2904. Follow the instructions included with the kit.

### WARNING

Avoid Electrical Shock

- ▶ Do not work on an energized circuit. Doing so could result in serious injury or death. Only qualified electricians should perform electrical work. Do not attempt any work on the dishwasher electric supply circuit until you are certain the circuit is de-energized.
- ▶ To avoid possible injury or property damage, care should be exercised when the dishwasher is installed or removed to reduce the likelihood of damage to the power cord.

### WARNING

Avoid Fire Hazard

- ▶ Make sure electrical work is properly installed and checked by qualified electricians.
- ▶ Make sure there are no loose electrical connections. Make sure all electrical connections are properly made. Loose and improperly installed electrical connections can result in overheating!

Wall outlet connections

- ▶ Only use the provided power cord for wall socket connections.
- ▶ DO NOT attach an extension cord or any type of modified cord or adapter with this appliance.
- ▶ DO NOT cut or splice the power cord.
- ▶ DO NOT alter the power cord in any way.

Permanent wire connections (in addition to the warnings above)

- ▶ Only use the junction box power cord, sold as Accessory kit #SMZPCJB1UC.
- ▶ Carefully review the terminal block installation instructions.
- ▶ DO NOT remove, alter or bypass the terminal block.

### 1.5 State of California Proposition 65 Warnings

This product may contain a chemical known to the State of California, which can cause cancer or reproductive harm. Therefore, the packaging of your product may bear the following label as required by California:

**STATE OF CALIFORNIA PROPOSITION 65 WARNING:**

 **WARNING**

Cancer and Reproductive Harm - [www.P65Warnings.ca.gov](http://www.P65Warnings.ca.gov)

## 2 Before you begin

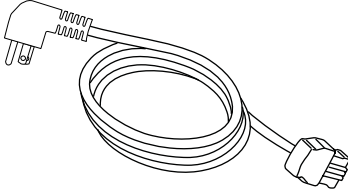


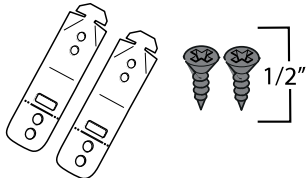
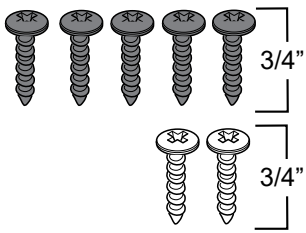
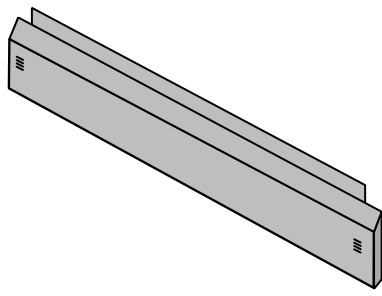
Read these instructions before you begin to install your appliance.

### 2.1 Inspect the Dishwasher

After unpacking the dishwasher and prior to installation, thoroughly inspect the dishwasher for possible freight or cosmetic damage. Report any damage immediately. Cosmetic defects must be reported within 30 days of installation. **NOTE:** Do not discard any bags or items that come with the original package until after the entire installation has been completed.

### 2.2 Parts Included

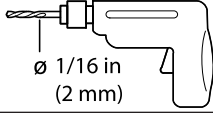




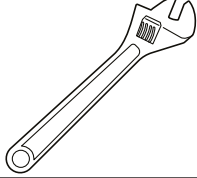
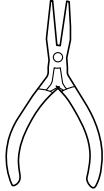
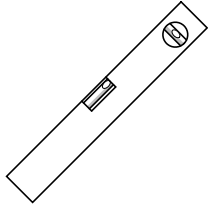
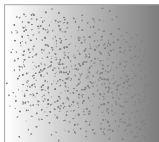
After unpacking all the parts, check for any damage in transit or missing parts.

	Power Cord
	Screw Clamp
	Spring Clamp
	Mounting Brackets Mounting Bracket wood screws for attaching to cabinetry
	Screws for mounting bracket installation, leg leveler locking, and toe panel If your model comes with a white toe panel, use stainless steel screws for attachment
	Toe Panel


## 2.3 Tools and Parts Needed

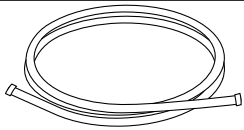
Gather these tools and additional parts before beginning the installation of your appliance.

### Tools

	Power drill
	Hole saw
	Measuring tape
	Phillips screwdriver
	Flat screwdriver
	Adjustable wrench x2
	Pliers
	Level
	Coarse sandpaper

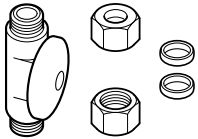
### Parts

	Elbow connection with 3/4" female hose threads on one end fits your water supply line on the other.
---	---



Water inlet hose - minimum 3/8" outer diameter copper tubing or metal braided dishwasher supply line.

\* Both the elbow and the water inlet hose can be found in the dishwasher supply kit SMZSH1ABUC.



Shut-off valve and fittings appropriate for hot water supply line.

## 2.4 Pre-install Checklist

Ensure that the following requirements are met when planning the installation of your appliance.

### ⚠ WARNING

Avoid Scalding or Electric Shock Hazard

- ▶ Make sure the water supply and electrical supply are shut off before installation or service.
- ▶ Do not allow the electrical and supply lines to touch.
- Select a location as close to the sink as possible for easy access to water supply and drain lines.
- Be sure the unit is installed close enough to the sink so the drain hose length does not exceed 92" (2337 mm) and so that a portion of the drain hose is raised at least 33" above the floor level.
- Ensure that the enclosure is square and the opening is at least 34" ( 863.3 mm) high and 24" (609.6 mm) wide.
- Check that the opening in the cabinet is large enough for routing the electric cable, water line, and drain hose, and if not, create a new opening. See
- If the opening is wood, be sure it is sanded smooth. If it is metal, be sure it is covered by a protective gasket.
- Be sure that your water heater set at 120° F (49° C) and the water pressure measures at 15-145 psi (1-10 bar)
- Determine the mounting method based on the dishwasher model and counter-top type. See → "Mounting Brackets", Page 9.
- Only use the included hardware for the installation. If you are replacing a dishwasher, dispose of old hose and other equipment properly.
- To avoid scratching the floor, have floor protection ready for when the dishwasher will be slid into the cabinet.

## 2.5 Electrical Requirements

Ensure that the following electrical requirements are met.

### Dishwasher electrical rating

Volts	120
Hertz	60
Amperes	12

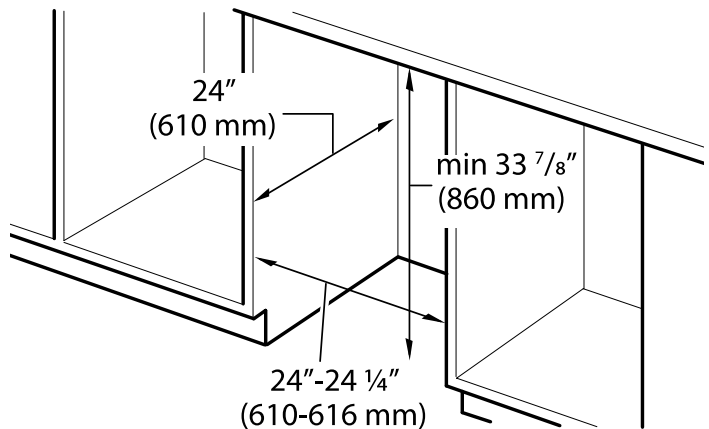
Watts	1,440 (max)
-------	-------------

## Electrical Supply

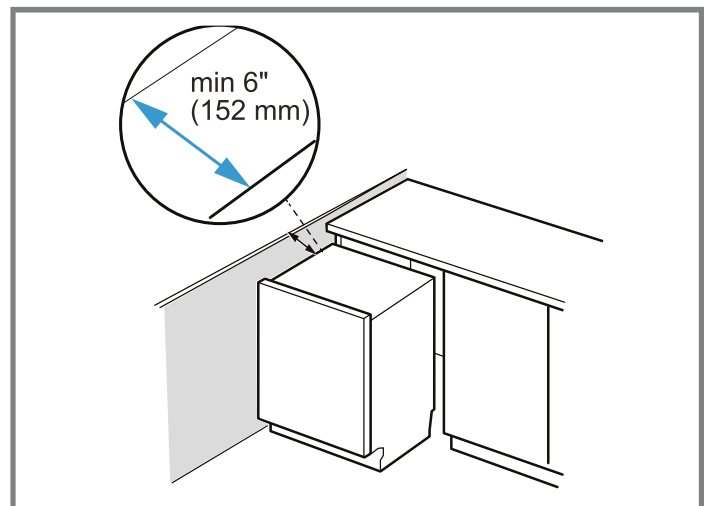
The customer has the responsibility of ensuring that the dishwasher electrical installation is in compliance with all national and local electrical codes and ordinances. The dishwasher is designed for an electrical supply of 120V, 60 Hz, AC, connected to a dishwasher-dedicated, properly grounded electrical circuit with a fuse or breaker rated 15 or 20 amps.

## 2.6 Cabinet Requirements

Ensure that the cabinet space for the installation meets the required dimensions.



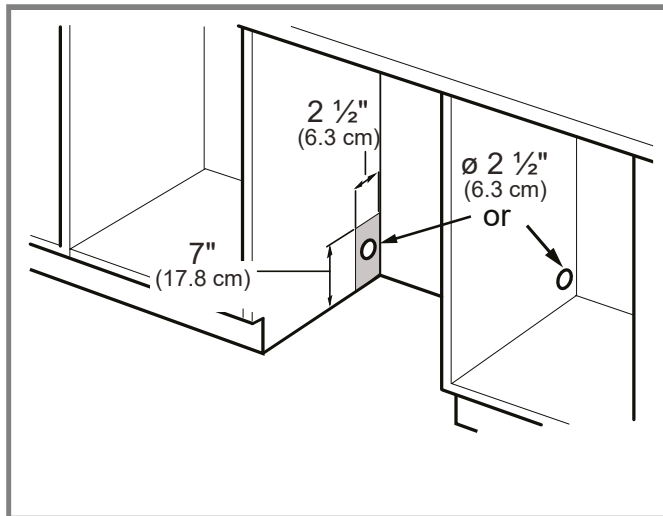
If the dishwasher is to be installed in a corner, ensure that there is adequate clearance to open the door as shown.



### 3 Installation Preparation

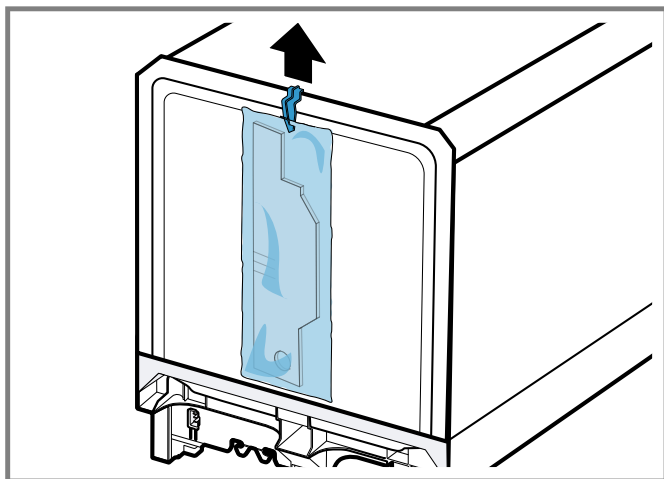
After locating the proper place for your dishwasher, create an opening to allow for water, drain and electrical lines on the appropriate side.

1. Cut a hole within the 7 x 2.5" area shown.



If the opening is made through wood, sand it smooth. If the opening is made through metal, use the Edge Protector with Power Cord clips Kit SMZEPCC1UC.

2. Remove the drain hose from inside the dishwasher.
3. Remove the toe panel fleece from the back of the dishwasher.



### 4 Installation Procedure

Follow these instructions to install the dishwasher.

#### 4.1 Attach Water Inlet Hose

##### **NOTICE:**

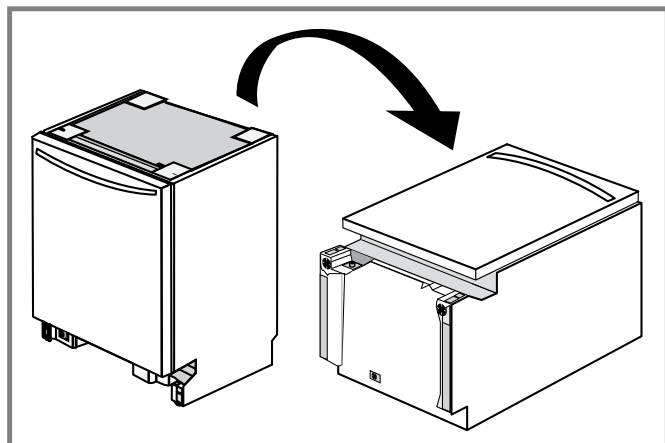
Avoid cross-threading

- ▶ Cross-threading will cause leaks.

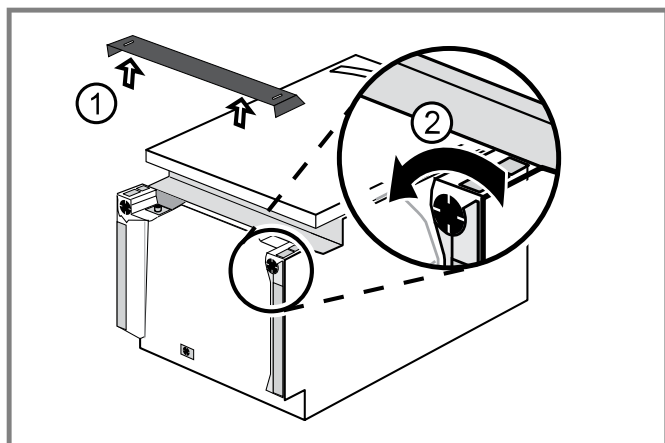
Teflon tape

- ▶ Do not use Teflon tape; it could cause leaks and damage floors or cabinetry.

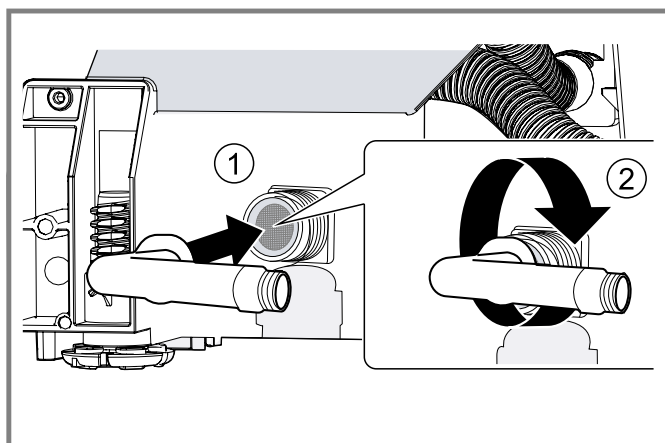
1. Carefully flip the unit over onto its back side with the door facing up.



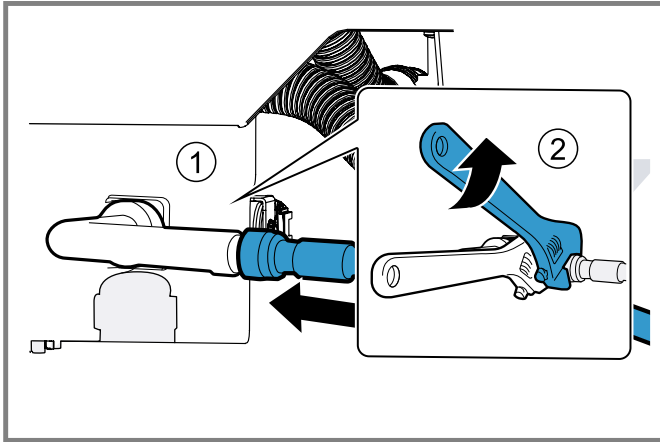
2. ① Remove the toe panel from the front of the unit (set aside for later) and ② loosen the feet slightly.



3. Attach the elbow to the water inlet valve on the front of the dishwasher.

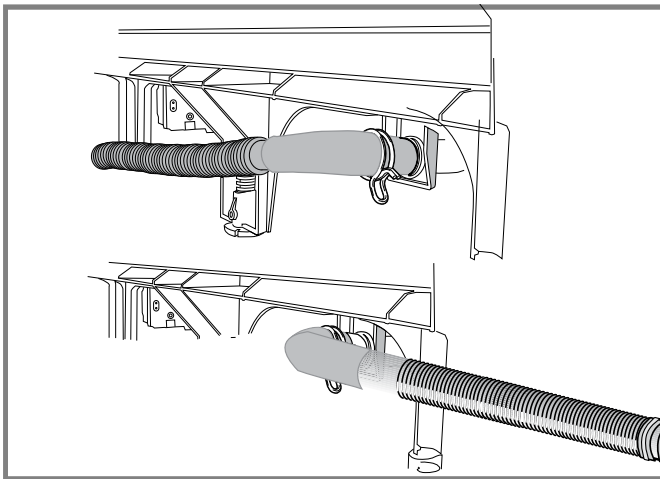


4. Attach the hot water line to the elbow. Use two wrenches to tighten, using one to stabilize and avoid putting stress on the water inlet valve.



#### 4.2 Attach Drain Hose

1. Flip unit back upright, making sure the waterline is not pinched.
2. Facing the back of the unit, orient the drain hose toward direction of sink.



**IMPORTANT:** Route hose toward sink PRIOR TO connection. Do not turn after attachment.

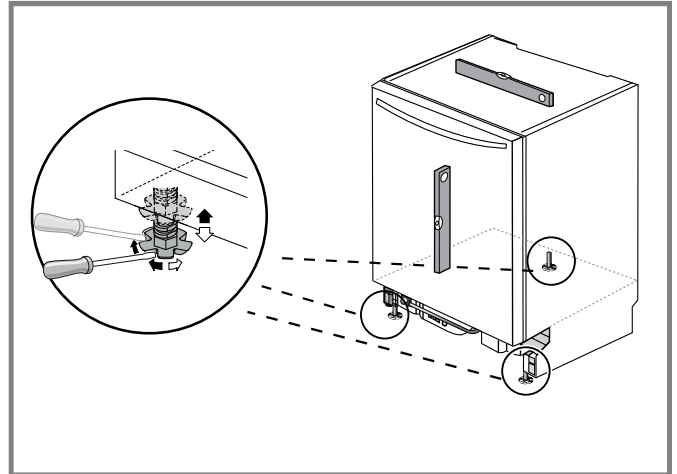
3. Attach drain hose elbow to back of unit using pliers to install the spring clamp

#### 4.3 Pre-level the Dishwasher

Set the dishwasher to the correct height before it goes into the cabinet.

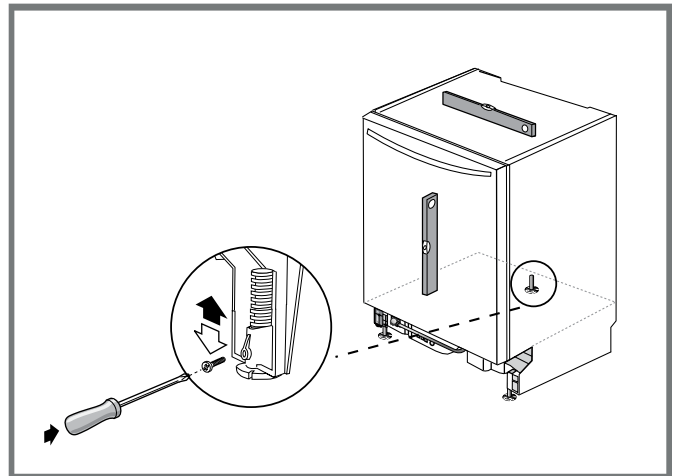
1. Measure the height of the cabinet opening.

2. Raise the front of the dishwasher to approximately 1/2" lower than the height of the opening by turning all three feet.



The maximum height the unit can be raised to is 34.5" (867.3 mm)

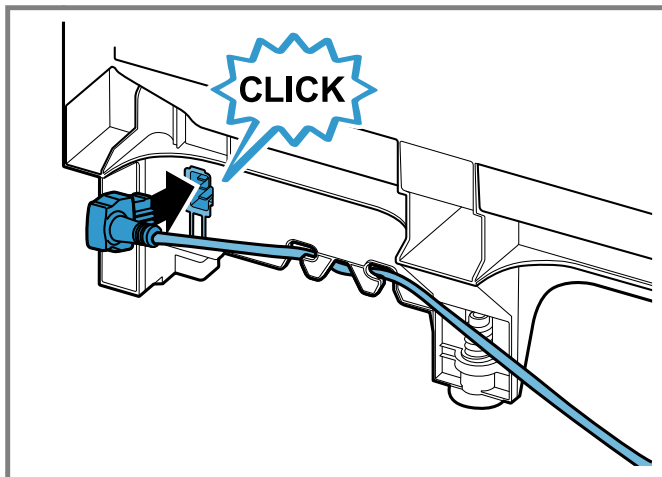
3. Use a level on the top front to see that the feet are even.
4. Once the unit is at a satisfactory height, insert a leg leveler locking screw in back foot.





## 4.4 Attach Power Cord

- ▶ Plug the end of the supply cord into the back of the dishwasher.
- Be sure to push it all the way in until fully seated.



The outlet for the power supply cord should be located in a cabinet or wall adjacent to the dishwasher cabinet. Do not plug dishwasher into the wall outlet until all the steps of the installation are complete.

### Notes

- Only use the included power cord. If cord is missing order kit SMZPC002UC through Customer Service.
- If you require a permanent wiring connection, order kit junction box accessory kit SMZPCJB1UC.
- If local electrical codes require clips to secure the power cord wire to the dishwasher, use accessory kit SMZEPCC1UC.

## 4.5 Mounting Brackets

Before installing the supplied mounting brackets, decide which method of securing the dishwasher into its enclosure will be used, top (wood or porous material) or side (stone or solid surface). Once the mounting brackets are installed on the dishwasher, removing them is difficult and will damage the mounting brackets and the dishwasher. If you have a Fully Integrated Panel, do not attach mounting brackets until after attaching the panel to the door.

### ⚠ WARNING

Avoid tip over hazard

- ▶ Do not use the dishwasher until it is completely installed. When opening the door on an uninstalled dishwasher, carefully open the door while supporting the rear of the unit. Failure to follow this warning can result in serious injury.

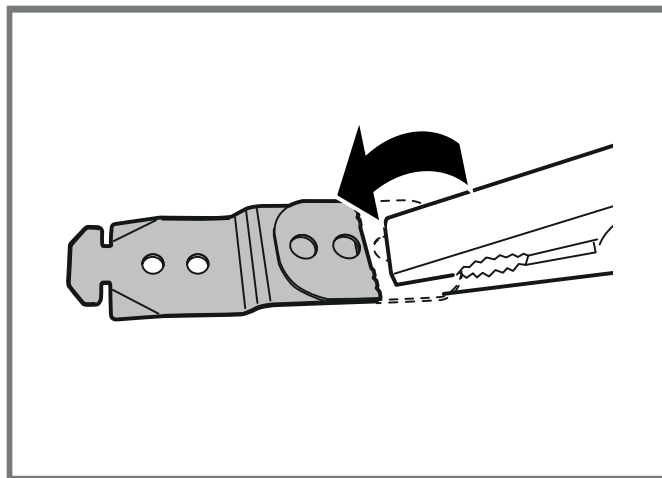
### Top Mount

Top Mount is used for counter tops made of wood or other materials that can be easily drilled.

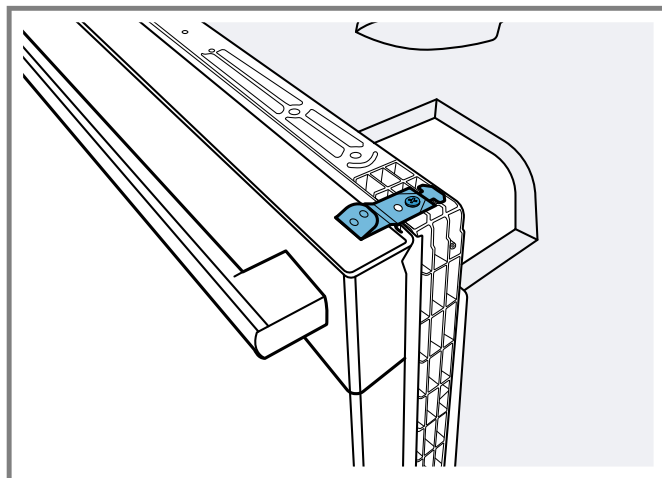
### ⚠ CAUTION

Avoid sharp edges

- ▶ Do not break the mounting brackets; causes sharp edges.
1. Grasp mounting bracket with pliers and fold bracket at the perforation over onto itself.



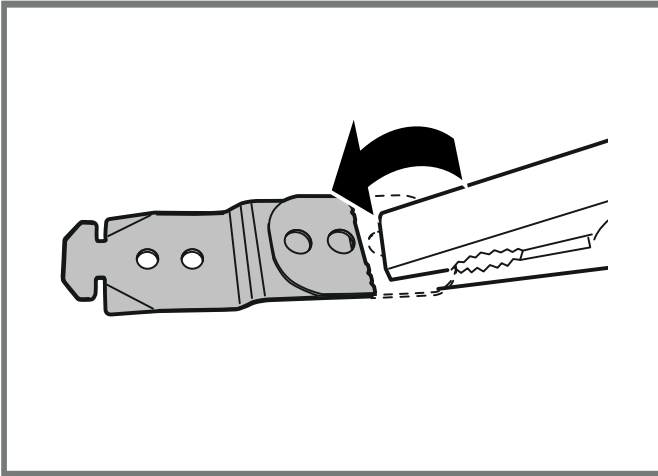
2. Attach mounting brackets to the frame with included 3/4" (19mm) screws.



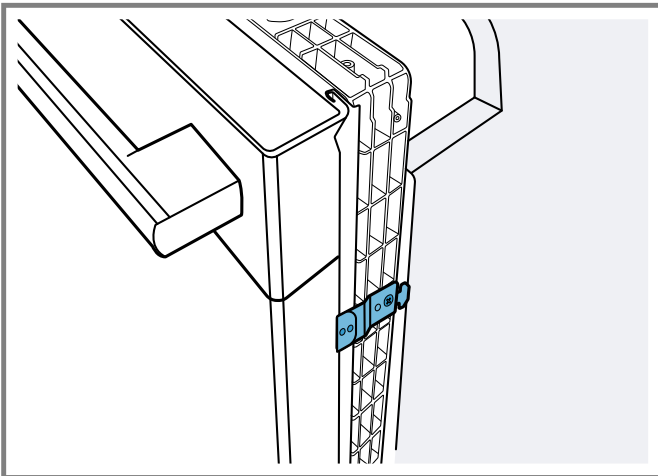
### Side Mount

Side Mount is used for counter tops made of marble, granite, or other solid surface material that cannot be easily drilled.

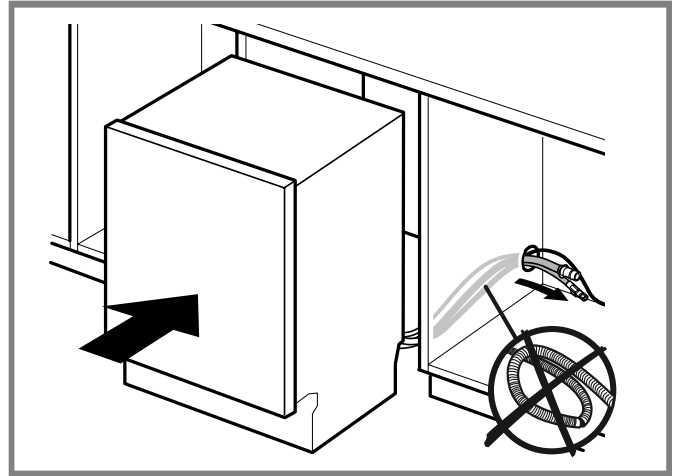
1. Grasp mounting bracket with pliers and fold bracket at the perforation over onto itself.



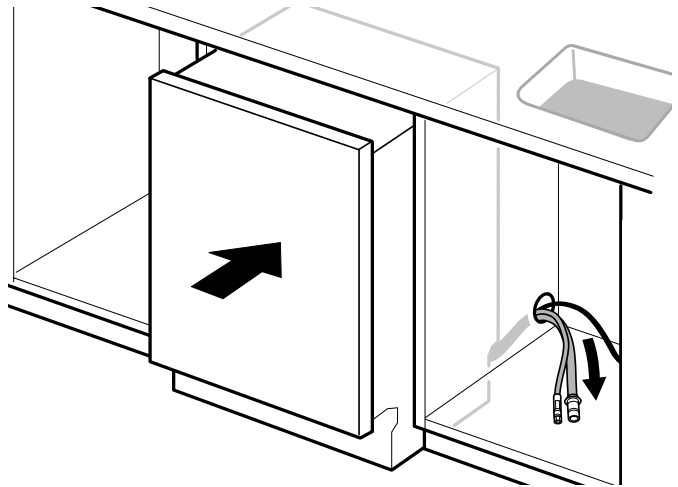
2. Attach mounting brackets to the frame with included screws.



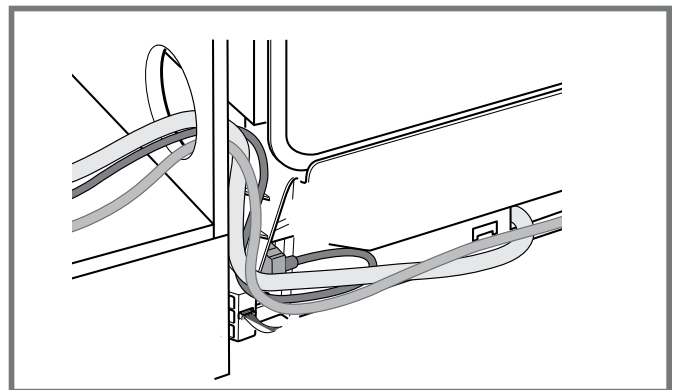
2. Using both hands, push dishwasher 1/3 of the way into the cabinet and STOP.



3. Pull the hoses and power cord through the hole in cabinet as shown.
4. Push the unit 2/3 of the way into the opening and STOP.



5. Reach into adjacent cabinet and pull hoses and excess power cord completely out so they do not get kinked.

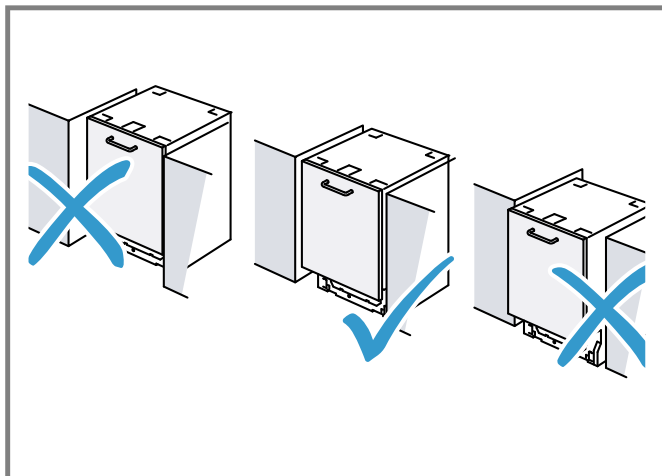


#### 4.6 Install Dishwasher in Cabinet Space

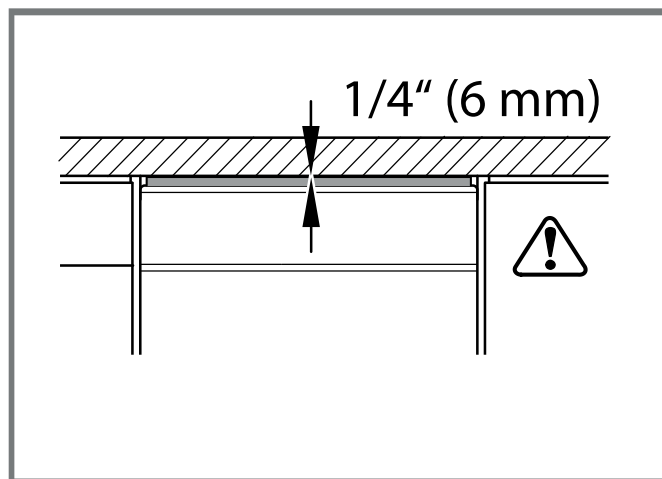
To avoid scratching the floor, use floor protection and caution when sliding the dishwasher into the cabinet.

1. Feed the power cord through the low hole in the cabinet first and then add the hoses.

6. Finally, push the unit in until flush with cabinet door.



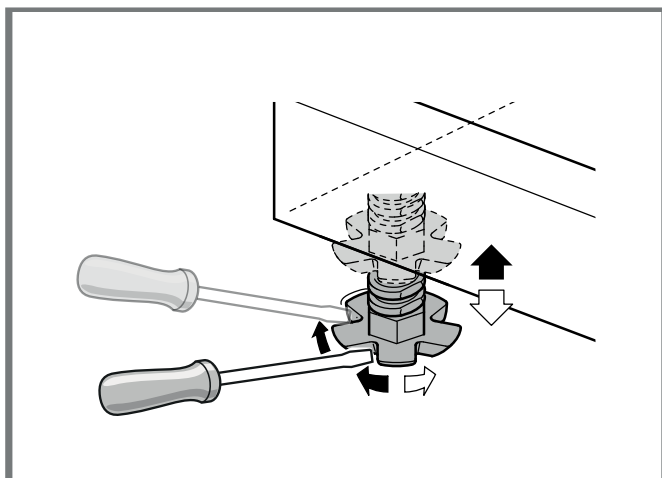
3. Make sure the top of the door is no less than 1/4" (6mm) from the underside of the counter.



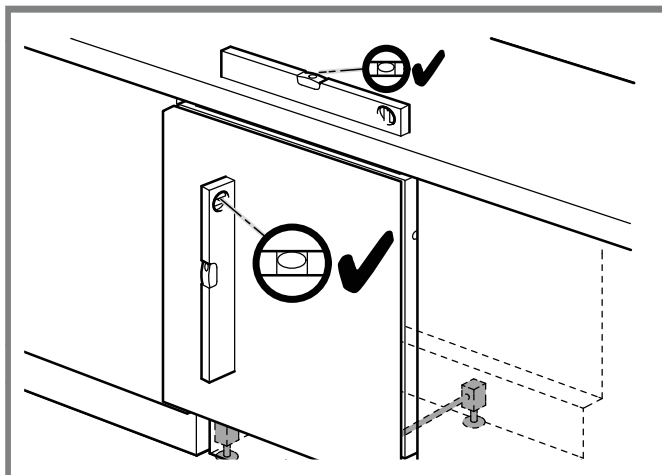
### 4.7 Level the Dishwasher

Now that the dishwasher is in the cabinet, check the levels again.

1. Level side to side by turning feet clockwise to raise or counter-clockwise to lower front.

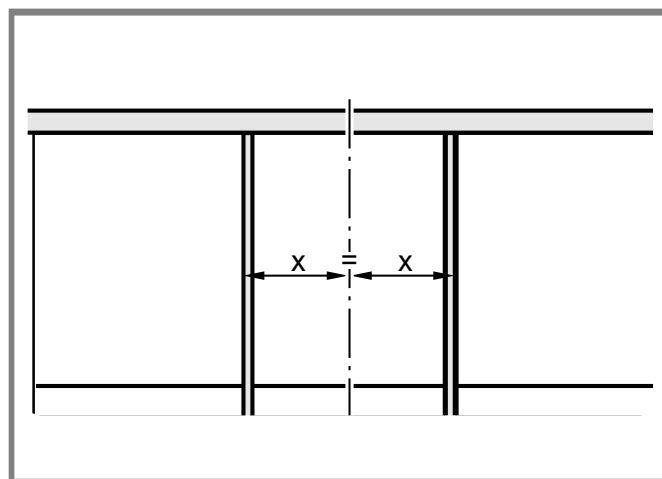


2. Use a level to check that your dishwasher is level. Check that the countertop is level and adjust the dishwasher to the countertop.

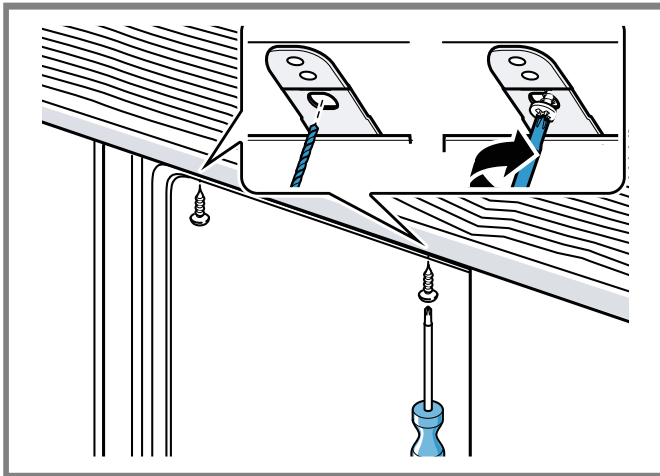


### 4.8 Secure the Dishwasher

1. Center the dishwasher in the opening.

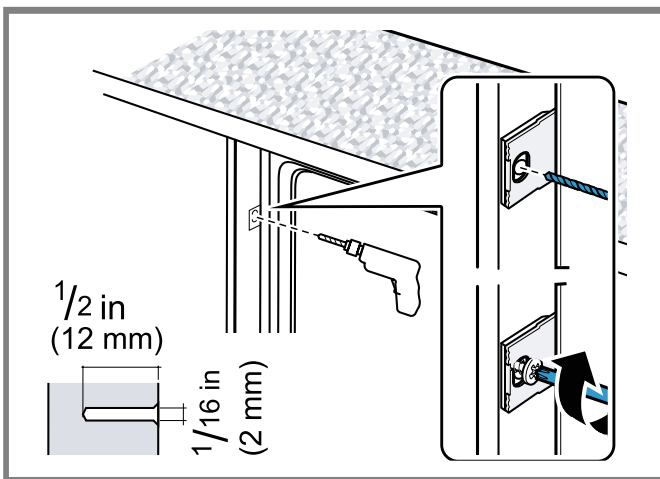


2. If using the Top Mount, and screw the 1/2" (12.7mm) wood screws through the holes in the mounting brackets. Choose the bracket hole best suited for your installation.



If the dishwasher came with a protective barrier, screw through the barrier.

3. For Side Mount, lift the flap on the deco strip and insert the 1/2" (12.7mm) wood screws underneath.



## 5 Dishwasher Connection

Follow these instructions to connect the dishwasher.

### 5.1 Installing the Water Inlet Connection

The hot water heater should be set to deliver approximately 120° F (49° C) water to the dishwasher. Water that is too hot can cause some detergents to lose

effectiveness. Lower water temperatures will increase run times. The hot water supply pressure must be between 15 - 145 psi (1 - 10 bar).

#### **⚠ WARNING**

Scalding Hazard

- ▶ Do not perform any work on a pressured hot water line. Serious injury could result. Only qualified plumbers should perform plumbing work. Do not attempt any work on the dishwasher hot water supply plumbing until you are certain the hot water supply is shut off.

#### **NOTICE:**

Soldering plumbing lines

- ▶ Temperatures required for soldering and sweating will damage the dishwasher. If plumbing lines are to be soldered or sweated, keep the heat source at least 6 inches (152.4 mm) away from the dishwasher.

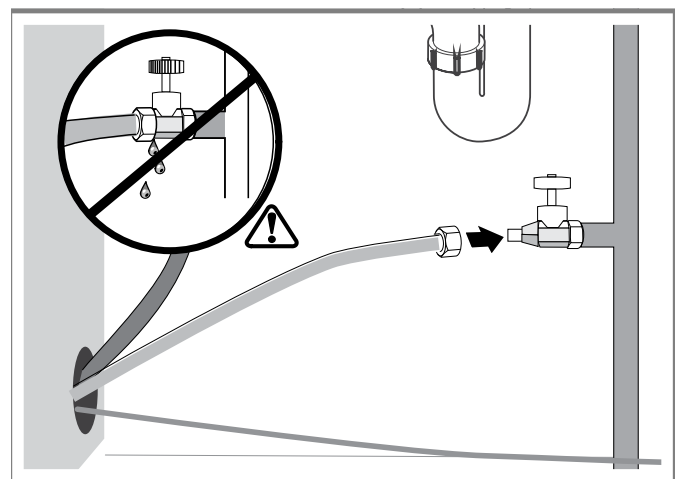
Plumbing codes

- ▶ Check local plumbing codes for approved plumbing procedures and accessories. All plumbing should be done in accordance with national and local codes.

#### **Note**

Important notes for water connection:

- If using a solder joint instead of a compression fitting, be sure to complete all solder connections before connecting the water supply line to the dishwasher.
  - Use an approved dishwasher water supply line with the correct fittings for this connection.
  - If using copper tubing or other material not depicted in this manual for water supply, defer to a licensed plumber for proper installation.
  - Always use appropriate seals when making plumbing connections.
1. Flush the incoming water line for approximately 1 minute to clear any foreign material.
  2. Connect the dishwasher water supply line to the water shut off valve.
    - Install a shut off valve if one isn't already in the supply line.
    - Make sure there are no sharp bends or kinks in the water line that might restrict water flow.



3. Properly tighten all water connections.

- After all connections are made, turn on the hot water and check for leaks.

## 5.2 Installing the Drain Connection

The drain hose must be installed with either a high loop or an air gap.

### NOTICE:

Proper drain hose installation

- The dishwasher drain hose must be installed with a portion of it at least 33" (84 cm) off the floor; otherwise the dishwasher may not drain properly.

Remove garbage disposal plug

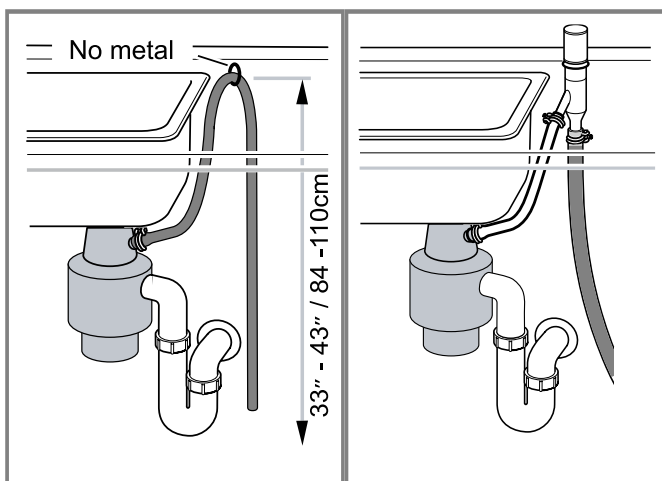
- If the dishwasher drain hose will be connected to a garbage disposal connection, first remove the plug from the disposal connection.

### Note

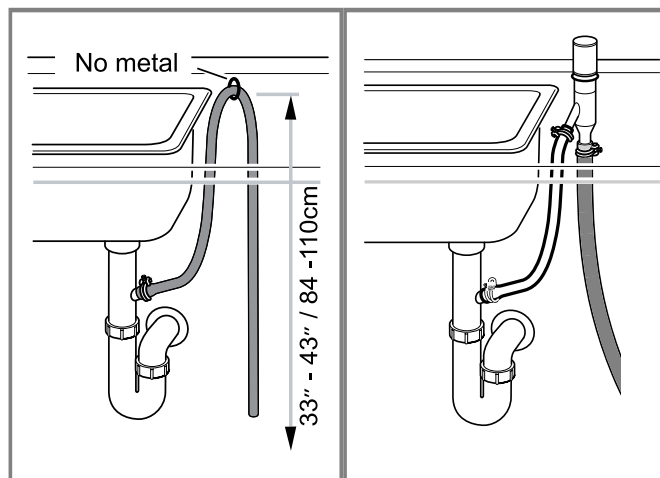
Important notes for drain connection:

- If local ordinance require an air gap, install it according to the manufacturer's instructions.
- The drain hose length can be extended if necessary. Use kit #SGZ1010UC. The maximum length of the drain hose, including the hose leading to the air gap, is 150" (380 cm).

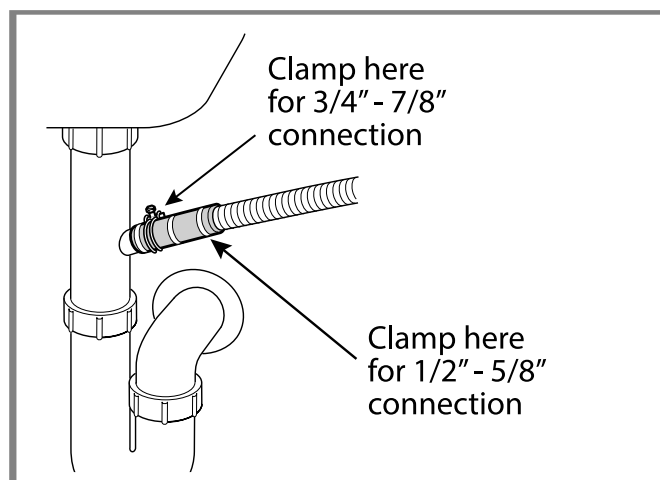
- Place hose clamp around end of drain hose BEFORE connecting to the plumbing.
- If you have a garbage disposal, connect the drain hose to the garbage disposal with either a high loop or an air gap.



- If you do not have a garbage disposal, connect the drain hose to the drain connection with either a high loop or an air gap.



- Tighten the hose clamp around the house plumbing.

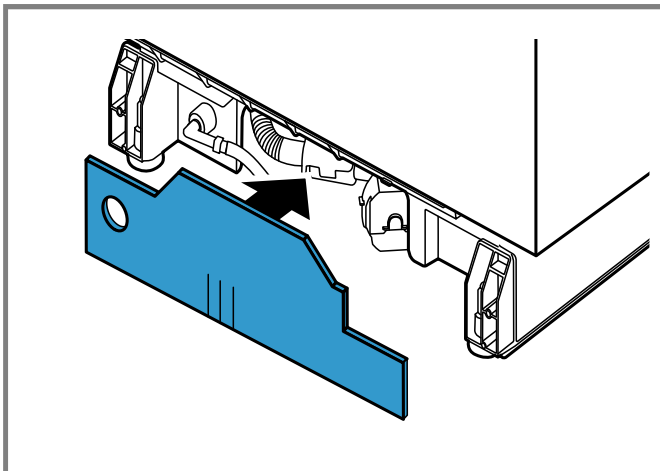


## 5.3 Electrical Connection and Test Cycle

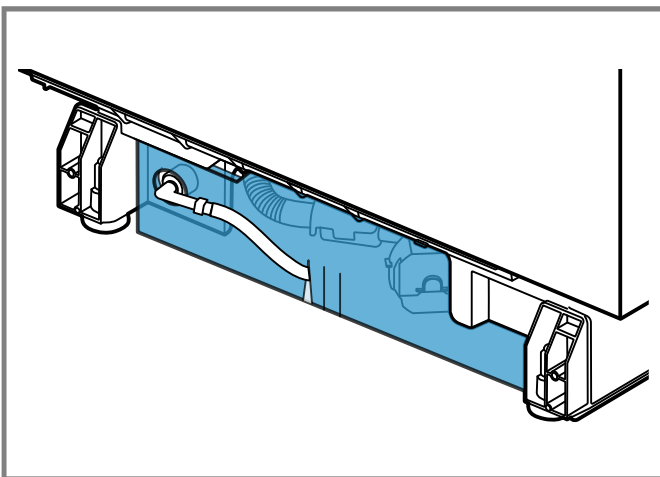
- For wall outlet connections, plug the dishwasher into the outlet.
- Turn on power supply.
- Make sure the water supply is on.
- Turn the dishwasher on and run a test cycle for 15 minutes.
- Check to make sure the cycle operates and there are no leaks while it is running.
- Stop the cycle and turn off the dishwasher.

## 5.4 Attach the Toe Panel

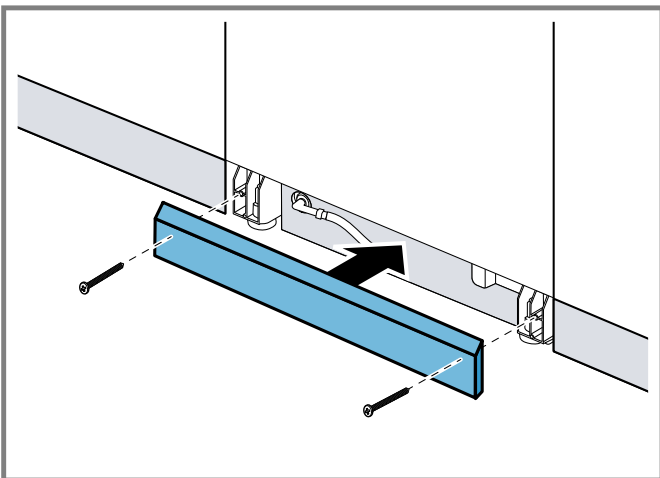
1. Remove the toe panel fleece from the packaging and insert it at the base on the front of the dishwasher.



2. Tuck the top of the fleece into the base front opening. If necessary, fold the lower edge under for a proper fit.



3. Attach the toe panel with the 3/4" screws so it is flush with the floor. Use black screws for a black toe panel and stainless for a white toe panel.



4. Your installation is complete!

---

## 6 Customer Service

With any warranty repair, we will make sure your appliance is repaired by an authorized service provider using genuine replacement parts. We use only genuine replacement parts for all repairs.

Detailed information on the warranty period and terms of warranty can be found in the Statement of Limited Product Warranty, from your retailer, or on our website.

If you contact Customer Service, you will need the model number (E-Nr.) and the production number (FD) of your appliance.

USA:

1-800-944-2904

[www.bosch-home.com/us/owner-support/get-support](http://www.bosch-home.com/us/owner-support/get-support)

[www.bosch-home.com/us/shop](http://www.bosch-home.com/us/shop)

CA:

1-800-944-2904

[www.bosch-home.ca/en/service/get-support](http://www.bosch-home.ca/en/service/get-support)

[www.bosch-home.ca/en/service/cleaners-and-accessories](http://www.bosch-home.ca/en/service/cleaners-and-accessories)

For assistance with connecting to Home Connect, you can also view instructions here:

[www.home-connect.com/us/en/help-support/set-up](http://www.home-connect.com/us/en/help-support/set-up)

### 6.1 Model number (E-Nr.) and production number (FD)

You can find the model number (E-Nr.) and the production number (FD) on the appliance's rating plate.

The rating plate is located inside the appliance door.

Making a note of your appliance's details and the Customer Service telephone number will enable you to find them again quickly.

## Table des matières

<b>1 IMPORTANTES CONSIGNES DE SÉCURITÉ .....</b>	<b>16</b>
1.1 Définitions des termes de sécurité .....	16
1.2 Informations générales.....	16
1.3 Installation sûre.....	16
1.4 Sécurité électrique .....	17
1.5 Mises en garde conformément à la proposition 65 de l'État de Californie .....	17
<b>2 Avant de commencer.....</b>	<b>18</b>
2.1 Inspecter le lave-vaisselle .....	18
2.2 Pièces incluses .....	18
2.3 Outils et pièces nécessaires.....	18
2.4 Liste de contrôle avant l'installation.....	19
2.5 Exigences électriques .....	19
2.6 Exigences concernant les armoires.....	19
<b>3 Préparation avant l'installation .....</b>	<b>20</b>
<b>4 Procédure d'installation .....</b>	<b>20</b>
4.1 Fixer le flexible d'arrivée d'eau .....	20
4.2 Fixer le tuyau d'évacuation.....	21
4.3 Mise à niveau préalable du lave-vaisselle .....	21
4.4 Fixer le cordon d'alimentation .....	22
4.5 Équerres de fixation .....	22
4.6 Installer un lave-vaisselle dans un meuble .....	23
4.7 Mise à niveau du lave-vaisselle.....	24
4.8 Fixer le lave-vaisselle.....	25
<b>5 Raccordement du lave-vaisselle.....</b>	<b>25</b>
5.1 Installation de l'arrivée d'eau.....	25
5.2 Installation du raccord d'évacuation .....	26
5.3 Connexion électrique et cycle d'essai .....	27
5.4 Fixer la plinthe.....	27
<b>6 Service à la clientèle.....</b>	<b>28</b>
6.1 Numéro de modèle (E-Nr.) et numéro de fabrication (FD) .....	28



# IMPORTANTES CONSIGNES DE SÉCURITÉ

## LIRE ET CONSERVER CES INSTRUCTIONS

Lisez toutes les instructions attentivement avant l'utilisation. Ces précautions réduiront le risque d'électrocution, d'incendie et de blessure pour les personnes utilisant l'appareil. Lorsque vous utilisez des appareils électroménagers, il importe de suivre les précautions de sécurité de base, y compris celles indiquées dans les pages suivantes.

### 1.1 Définitions des termes de sécurité

Vous trouverez ici des explications sur les mots de signalisation de sécurité utilisés dans ce manuel.

#### **AVERTISSEMENT**

Signale un risque de mort ou de blessure grave si l'avertissement n'est pas respecté.

#### **MISE EN GARDE**

Signale un risque de blessures mineures ou modérées si l'avertissement n'est pas respecté.

#### **AVIS :**

Ceci indique que la non-conformité à cet avis de sécurité peut entraîner des dégâts matériels ou endommager l'appareil.

**Remarque :** Ceci vous signale des informations et/ou indications importantes.

### 1.2 Informations générales

Pour réduire le risque d'incendie, de choc électrique, ou de blessures graves, respectez les consignes suivantes.

- Veuillez lire et comprendre toutes les notices avant d'utiliser l'appareil.
- Conservez tous les documents préparés pour consultation ultérieure ou pour les remettre au propriétaire suivant.
- Ne branchez pas l'appareil si ce dernier a été endommagé durant le transport.
- Des dommages et / ou blessures graves au produit peuvent résulter de l'utilisation de techniciens de service non qualifiés ou de pièces non originales. Tous les travaux de réparation doivent être effectués par un technicien d'entretien qualifié utilisant uniquement des pièces de rechange d'origine.
- Les lave-vaisselle domestiques certifiés NSF/ANSI 184 ne sont pas destinés aux établissements de services alimentaires agréés.

### 1.3 Installation sûre

Suivez les consignes de sécurité suivantes lors de l'installation de l'appareil.

- Ces instructions d'installation sont destinées à des installateurs qualifiés uniquement. Le lave-vaisselle doit être installé par un technicien ou un installateur qualifié.
- Le tuyau d'évacuation du lave-vaisselle doit être installé avec une partie de celui-ci à au moins 33 po (84 cm) du sol, sinon le lave-vaisselle risque de ne pas s'écouler correctement.
- Ce lave-vaisselle ne doit pas être utilisé à l'extérieur. Il est destiné à un usage résidentiel intérieur uniquement et ne doit pas être utilisé dans les établissements de restauration commerciale.
- Ce lave-vaisselle est conçu pour être entouré d'armoires sur le dessus et les deux côtés.
- NOUVELLE INSTALLATION - Si le lave-vaisselle est une nouvelle installation, assurez-vous que tous les raccordements sont correctement effectués avant de mettre le lave-vaisselle en place.
- REMPLACEMENT - Si le lave-vaisselle remplace un autre lave-vaisselle, assurez-vous que les raccordements du lave-vaisselle existant sont compatibles avec le nouveau lave-vaisselle et remplacez les pièces si nécessaire.
- Cet appareil a été jugé conforme à la norme CAN/CSA-C22.2 n° 167/UL 749. Il est de la responsabilité du propriétaire et de l'installateur de déterminer si des exigences et des normes supplémentaires s'appliquent à des installations spécifiques.

#### **AVERTISSEMENT**

Sous certaines conditions, de l'hydrogène gazeux peut se créer dans un système d'eau chaude inutilisé pendant deux semaines ou plus. L'hydrogène gazeux est de nature explosive.

- ▶ Avant d'utiliser un lave-vaisselle connecté à un système d'eau chaude inutilisé pendant deux semaines ou plus, ouvrir tous les robinets d'eau chaude et laisser l'eau s'écouler pendant plusieurs minutes. Ceci libérera toute accumulation d'hydrogène gazeux. Compte tenu de la nature explosive du gaz, éviter de fumer ou d'utiliser des flammes nues à ce moment.





# IMPORTANTES CONSIGNES DE SÉCURITÉ

## LIRE ET CONSERVER CES INSTRUCTIONS

### 1.4 Sécurité électrique

Suivez les consignes de sécurité suivantes pour éviter tout choc électrique.

- Le lave-vaisselle doit être correctement mis à la terre avant de fonctionner. Cet équipement doit être branché à un système de câblage permanent en métal et mis à la terre, ou un conducteur de mise à la terre d'équipement doit être intégré aux conducteurs d'alimentation et connecté au terminal de mise à la masse de l'équipement ou à la broche de raccordement du lave-vaisselle.
- N'utilisez PAS de rallonge
- Ne réutilisez PAS un vieux cordon d'alimentation; utilisez uniquement le cordon fourni.
- Assurez-vous que le lave-vaisselle est correctement relié à la terre conformément à tous les codes municipaux ou, en l'absence de code municipal, au NATIONAL ELECTRICAL CODE aux États-Unis ou au CODE CANADIEN DE L'ÉLECTRICITÉ C22.1 (dernière édition) au Canada, ainsi qu'à tous les codes provinciaux/étatiques ou municipaux applicables
- Installations nécessitant un câblage réel et un bornier - Le modèle accessoire de bornier/boîte de jonction, SMZPCJB1UC, conçu pour un branchement permanent des fils, peut être commandé auprès du service à la clientèle au 1-800-944-2904. Suivez les instructions fournies avec la trousse.

#### AVERTISSEMENT

Éviter les chocs électriques

- ▶ Ne travaillez pas sur un circuit sous tension. Cela pourrait entraîner des blessures graves ou la mort. Seuls des électriciens qualifiés doivent effectuer des travaux électriques. Ne tentez pas de travailler sur le circuit d'alimentation électrique du lave-vaisselle avant d'être certain que le circuit est hors tension.
- ▶ Pour éviter toute blessure ou tout dommage matériel, faites attention lors de l'installation ou du retrait du lave-vaisselle afin de réduire la probabilité d'endommager le cordon d'alimentation.

#### AVERTISSEMENT

Éviter les risques d'incendie

- ▶ Assurez-vous que les travaux électriques sont correctement effectués et contrôlés par des électriciens qualifiés.

- ▶ Assurez-vous qu'il n'y a pas de connexions électriques lâches. Assurez-vous que toutes les connexions électriques sont correctement effectuées. Des connexions électriques lâches et mal installées peuvent entraîner une surchauffe!

Prises murales

- ▶ Utilisez uniquement le câble d'alimentation fourni pour brancher l'appareil dans une prise murale.
- ▶ N'attachez PAS de rallonge, un autre type de câble modifié ou un adaptateur avec cet appareil.
- ▶ ÉVITEZ de fendre ou de trancher le câble d'alimentation.
- ▶ ÉVITEZ de modifier le câble d'alimentation d'une façon quelconque.

Connexions permanentes de fils (en plus des avertissements ci-dessus)

- ▶ Utilisez uniquement le cordon d'alimentation de la boîte de jonction, vendu comme la trousse d'accessoires #SMZPCJB1UC.
- ▶ Lisez attentivement les instructions d'installation du bornier.
- ▶ Ne retirez, ne modifiez et ne contournez PAS le bornier.

### 1.5 Mises en garde conformément à la proposition 65 de l'État de Californie

Ce produit pourrait contenir un produit chimique reconnu par l'État de la Californie comme cancérigène ou ayant des effets nocifs sur la reproduction. Par conséquent, vous pourriez devoir apposer l'étiquette suivante sur l'emballage du produit comme requis par la Californie :

**AVERTISSEMENT ISSUE DE LA PROPOSITION 65 DE L'ÉTAT DE LA CALIFORNIE :**



**AVERTISSEMENT**

Cancer et dommages à la reproduction -  
[www.P65Warnings.ca.gov](http://www.P65Warnings.ca.gov)

## 2 Avant de commencer

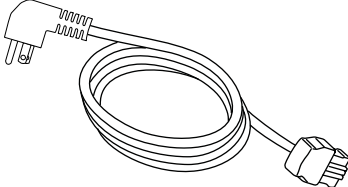


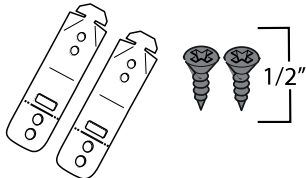
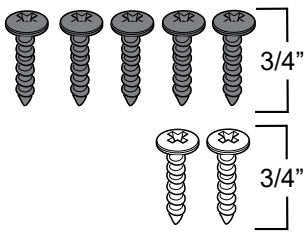
Lisez ces instructions avant de commencer l'installation de votre appareil.

### 2.1 Inspecter le lave-vaisselle

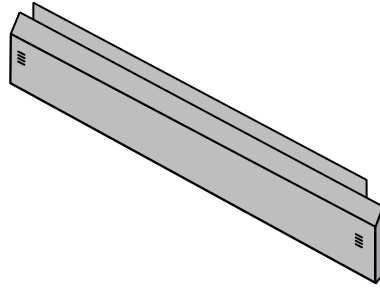
Après avoir déballé le lave-vaisselle et avant de l'installer, inspectez-le minutieusement à la recherche d'éventuelles marchandises ou de dommages esthétiques. Signalez immédiatement tout dommage. Les défauts esthétiques doivent être signalés dans les 30 jours suivant l'installation. REMARQUE : Ne jetez pas les sacs ou les articles qui se trouvent dans l'emballage d'origine avant d'avoir terminé l'installation.

### 2.2 Pièces incluses

Après avoir déballé toutes les pièces, assurez-vous que toutes les pièces sont présentes et n'ont pas été endommagées durant le transport.

	Cordon d'alimentation
	Pince à capot
	Bride à tension
	Équerres de fixation Vis à bois de l'équerre de montage pour la fixation à l'armoire
	Vis pour l'installation de l'équerre de montage, le verrouillage du patin de nivellement et la plinthe Si votre modèle est livré avec une plinthe blanche, utilisez des vis en acier inoxydable pour la fixation

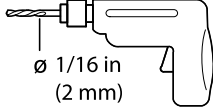




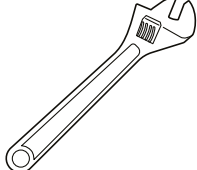
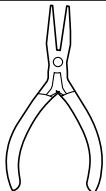
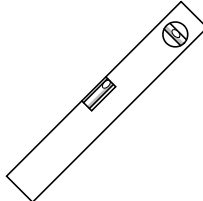
Plinthe

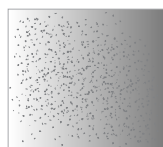


### 2.3 Outils et pièces nécessaires

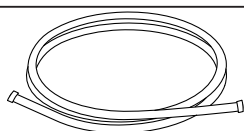
Rassemblez les outils et pièces supplémentaires suivants avant de commencer l'installation de votre appareil.

#### Outils

	Perceuse électrique
	Scie-cloche
	Ruban à mesurer
	Tournevis cruciforme
	Tournevis plat
	Clé à molette x 2
	Pincettes
	Niveau

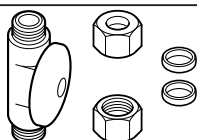
**Papier abrasif****Pièces**

Le raccord coudé avec filetage femelle 3/4 po pour tuyau à une extrémité s'adapte à votre ligne d'alimentation en eau à l'autre extrémité.



Tuyau d'arrivée d'eau - tube en cuivre de 3/8 po de diamètre extérieur minimum ou conduite d'alimentation du lave-vaisselle à tresse métallique.

\* Le coude et le tuyau d'arrivée d'eau se trouvent dans la trousse de fournitures du lave-vaisselle SMZSH1ABUC.



Vanne d'arrêt et raccords appropriés pour la ligne d'alimentation en eau chaude.

**2.4 Liste de contrôle avant l'installation**

Assurez-vous que les conditions suivantes sont remplies lors de la planification de l'installation de votre appareil.

**⚠ AVERTISSEMENT**

Éviter les risques d'échaudage ou de choc électrique

- ▶ Assurez-vous que l'alimentation en eau et l'alimentation électrique sont fermées avant l'installation ou l'entretien.
- ▶ Ne laissez pas les lignes électriques et d'alimentation se toucher.

- Choisissez un emplacement aussi proche que possible de l'évier pour faciliter l'accès aux conduites d'alimentation en eau et d'évacuation.
- Assurez-vous que l'appareil est installé suffisamment près de l'évier de sorte que la longueur du tuyau d'évacuation ne dépasse pas 92 po (2337 mm) et qu'une partie du tuyau d'évacuation soit surélevée d'au moins 33 po par rapport au niveau du sol.
- Assurez-vous que l'enceinte est carrée et que l'ouverture est d'au moins 34 po (863,3 mm) de haut et 24 po (609,6 mm) de large.
- Assurez-vous que l'ouverture dans l'armoire est suffisamment grande pour faire passer le câble électrique, la conduite d'eau et le tuyau d'évacuation, et si ce n'est pas le cas, pratiquez une nouvelle ouverture. Voir

- Si l'ouverture est en bois, veillez à ce qu'elle soit bien poncée. Si elle est en métal, assurez-vous qu'elle est recouverte d'un joint de protection.
- Assurez-vous que votre chauffe-eau est réglé à 49° C (120° F) et que la pression de l'eau est comprise entre 15 et 145 psi (1 à 10 bars)
- Déterminez la méthode de montage en fonction du modèle de lave-vaisselle et du type de comptoir. Voir → "Équerres de fixation", Page 22.
- Utilisez uniquement le matériel fourni pour l'installation. Si vous remplacez un lave-vaisselle, éliminez les anciens tuyaux et autres équipements de manière appropriée.
- Pour éviter de rayer le sol, préparez une protection pour le sol lorsque le lave-vaisselle sera glissé dans l'armoire.

**2.5 Exigences électriques**

Assurez-vous que les exigences électriques suivantes sont respectées.

**Caractéristiques électriques du lave-vaisselle**

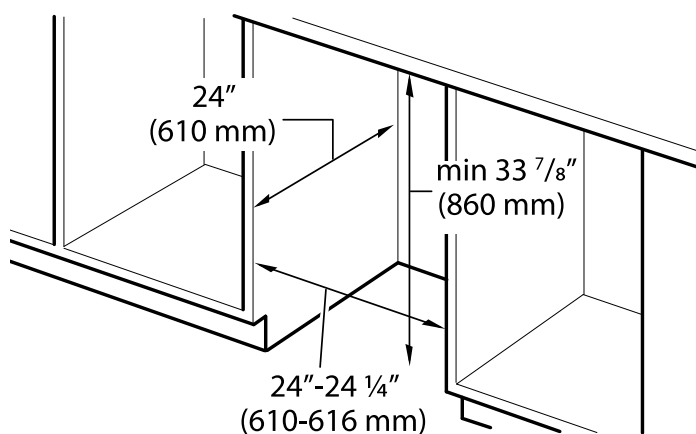
Volts	120
Hertz	60
Ampères	12
Watts	1 440 (max)

**Alimentation électrique**

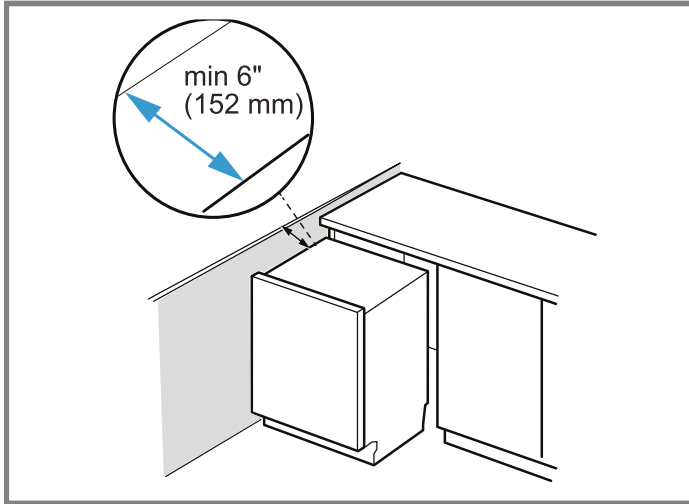
Le client a la responsabilité de s'assurer que l'installation électrique du lave-vaisselle est conforme à tous les codes et ordonnances électriques nationaux et municipaux. Le lave-vaisselle est conçu pour une alimentation électrique de 120 V, 60 Hz, CA, branchée à un circuit électrique dédié au lave-vaisselle, correctement mis à la terre, avec un fusible ou un disjoncteur de 15 ou 20 ampères.

**2.6 Exigences concernant les armoires**

Assurez-vous que l'espace de l'armoire pour l'installation correspond aux dimensions requises.



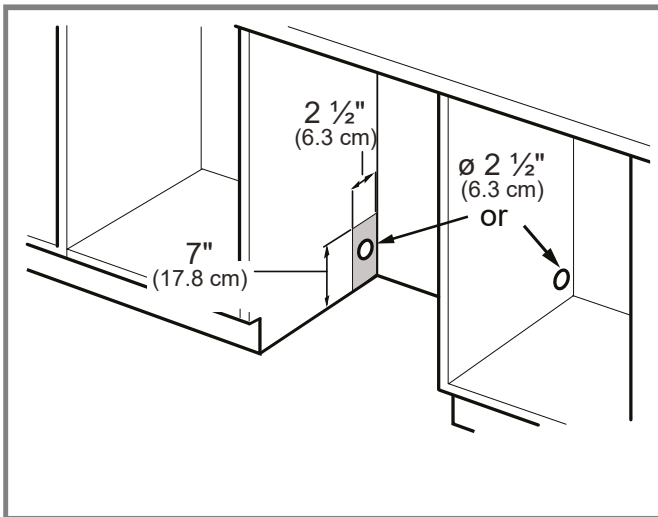
Si le lave-vaisselle doit être installé dans un coin, prévoyez un dégagement suffisant pour ouvrir la porte comme indiqué.



### 3 Préparation avant l'installation

Après avoir trouvé l'emplacement approprié pour votre lave-vaisselle, créez une ouverture pour permettre le passage de l'eau, de l'évacuation et des lignes électriques du côté approprié.

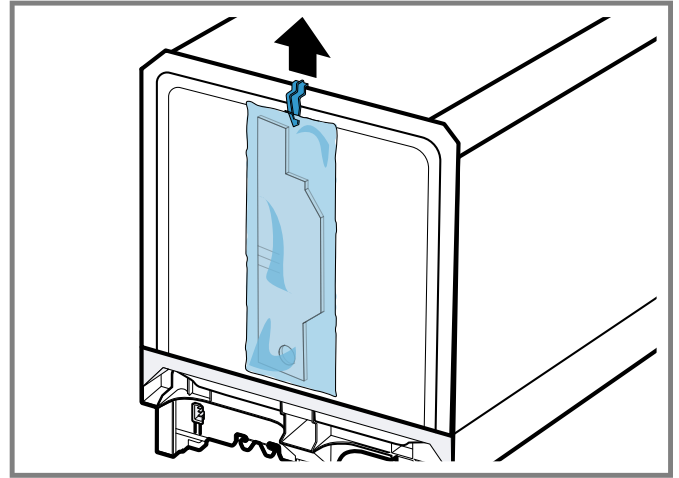
1. Découpez un trou dans la zone de 7 x 2,5 po indiquée.



Si l'ouverture est pratiquée à travers le bois, sablez-la. Si l'ouverture est pratiquée à travers du métal, utilisez la trousse de protection des bords avec clips pour cordon d'alimentation SMZEPCC1UC.

2. Retirez le tuyau d'évacuation de l'intérieur du lave-vaisselle.

3. Retirez le molleton de la plinthe à l'arrière du lave-vaisselle.



### 4 Procédure d'installation

Suivez les instructions suivantes pour installer le lave-vaisselle.

#### 4.1 Fixer le flexible d'arrivée d'eau

##### AVIS :

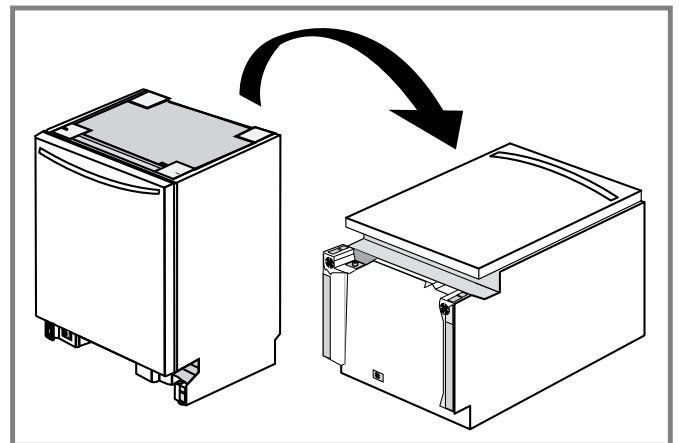
Évitez de déformer les filetages

► La déformation des filetages peut créer des fuites.

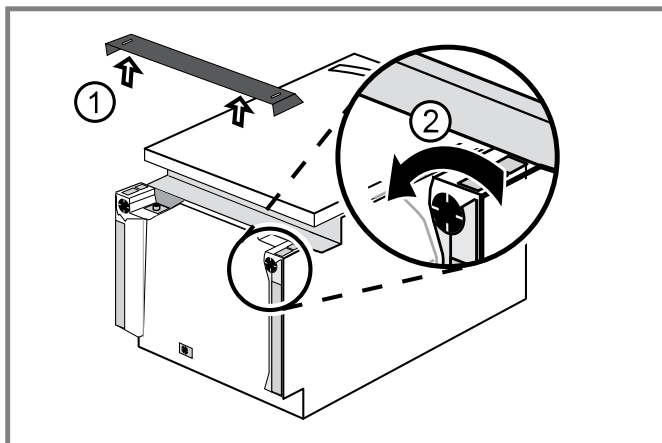
Ruban de téflon

► N'utilisez pas de ruban de téflon; cela pourrait créer des fuites et endommager le plancher ou les armoires.

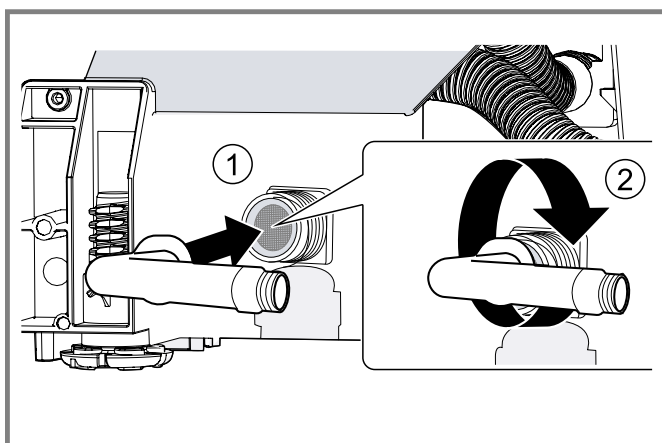
1. Retournez délicatement l'appareil sur sa face arrière, la porte vers le haut.



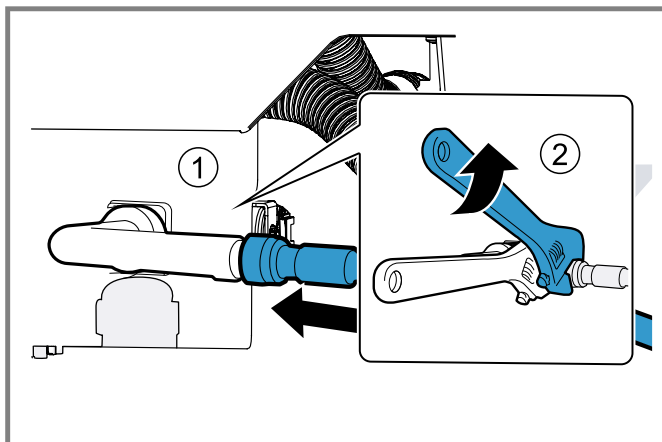
2. ① Retirez la plinthe de l'avant de l'appareil (réservez-la pour plus tard) et ② desserrez légèrement les pieds.



3. Fixez le coude à la vanne d'entrée d'eau située à l'avant du lave-vaisselle.

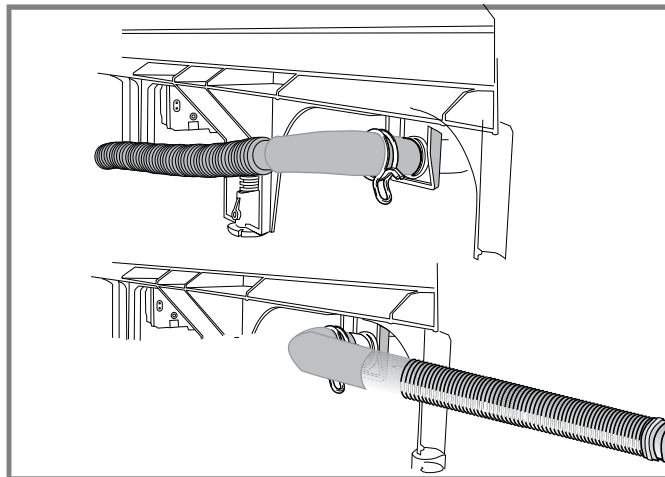


4. Reliez la conduite d'eau chaude au coude. Utilisez deux clés pour serrer, en utilisant une pour stabiliser et éviter de mettre sous tension la vanne d'arrivée d'eau.



## 4.2 Fixer le tuyau d'évacuation

1. Remettez l'appareil à l'endroit en veillant à ce que la conduite d'eau ne soit pas pincée.
2. En faisant face à l'arrière de l'appareil, orientez le tuyau d'évacuation dans la direction de l'évier.



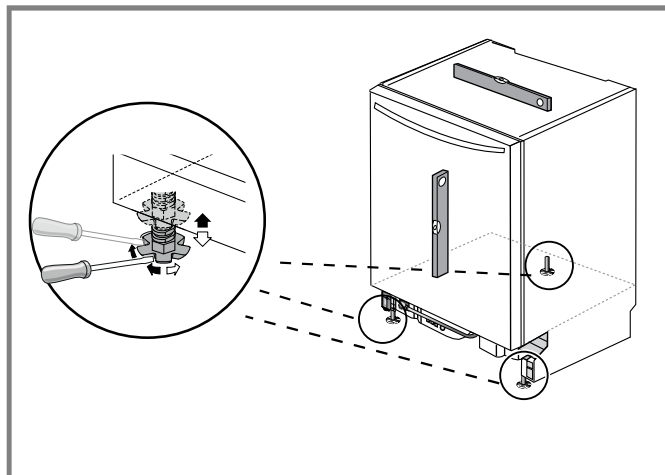
**IMPORTANT :** Orientez le tuyau vers l'évier AVANT de le relier. Ne tournez pas le tuyau après la fixation.

3. Fixez le coude du tuyau d'évacuation à l'arrière de l'appareil en utilisant des pinces pour installer la pince à ressort.

## 4.3 Mise à niveau préalable du lave-vaisselle

Réglez le lave-vaisselle à la bonne hauteur avant de l'insérer dans le meuble.

1. Mesurez la hauteur de l'ouverture de l'armoire.
2. Relevez l'avant du lave-vaisselle jusqu'à ce qu'il soit environ 1/2 po plus bas que la hauteur de l'ouverture en tournant les trois pieds dans le sens des aiguilles d'une montre.

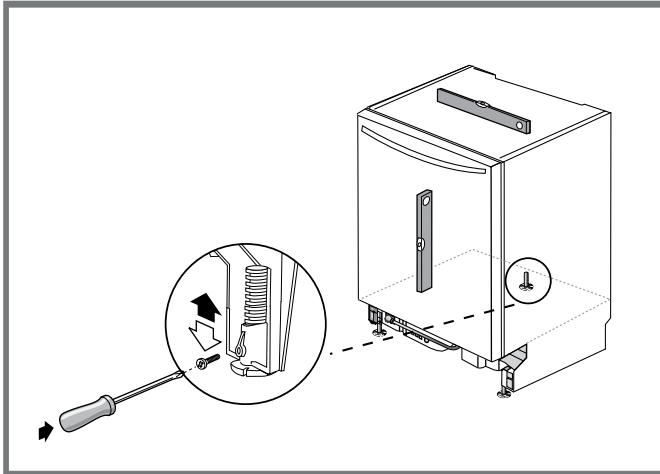


La hauteur maximale à laquelle l'unité peut être élevée est de 867,3 mm (34,5 po)

3. Utilisez un niveau sur la partie supérieure avant pour vérifier que les deux pieds sont égaux.

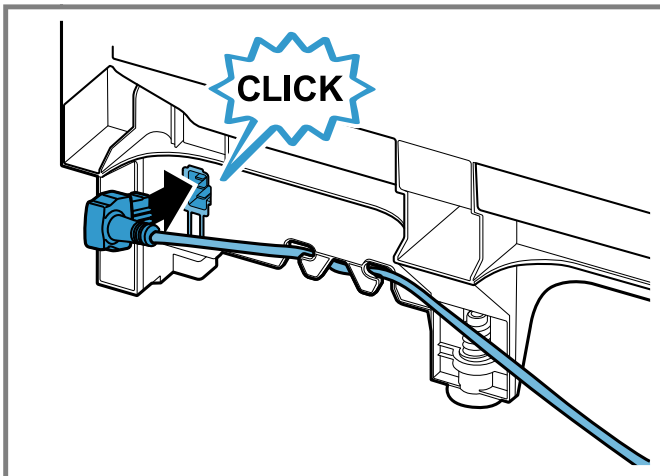


4. Une fois que l'unité est à une hauteur satisfaisante, insérez une vis de blocage du niveleur de pieds dans le pied arrière.



#### 4.4 Fixer le cordon d'alimentation

- ▶ Raccordez l'extrémité du cordon d'alimentation à l'arrière du lave-vaisselle.
  - Veillez à l'enfoncer à fond jusqu'à ce qu'il soit complètement en place.



La prise pour le cordon d'alimentation doit être située dans une armoire ou un mur adjacent au meuble du lave-vaisselle.

Ne branchez pas le lave-vaisselle dans la prise murale tant que toutes les étapes de l'installation ne sont pas terminées.

#### Remarques

- Utilisez uniquement le cordon d'alimentation fourni. Si le cordon est manquant, commandez la trousse SMZPC002UC auprès du service à la clientèle.
- Si vous avez besoin d'une connexion de câblage permanente, commandez la trousse d'accessoires pour boîte de jonction SMZPCJB1UC.
- Si les codes électriques locaux exigent des attaches pour fixer le fil du cordon d'alimentation au lave-vaisselle, utilisez la trousse d'accessoires SMZEPCC1UC.

#### 4.5 Équerres de fixation

Avant d'installer les équerres de fixation fournies, décidez de la méthode de fixation du lave-vaisselle dans son enceinte : par le haut (bois ou matériau poreux) ou latérale (pierre ou surface solide). Une fois les équerres de fixation installées sur le lave-vaisselle, les retirer devient difficile et endommagerait tant les supports de montage et le lave-vaisselle. Si vous avez un panneau entièrement intégré, ne fixez pas les équerres de fixation avant d'avoir fixé le panneau à la porte.

#### ⚠ AVERTISSEMENT

Éviter les risques de basculement

- ▶ N'utilisez pas le lave-vaisselle avant qu'il ne soit complètement installé. Lorsque vous ouvrez la porte d'un lave-vaisselle non installé, ouvrez-la avec précaution tout en soutenant l'arrière de l'appareil. Le non-respect de cet avertissement peut entraîner des blessures graves.

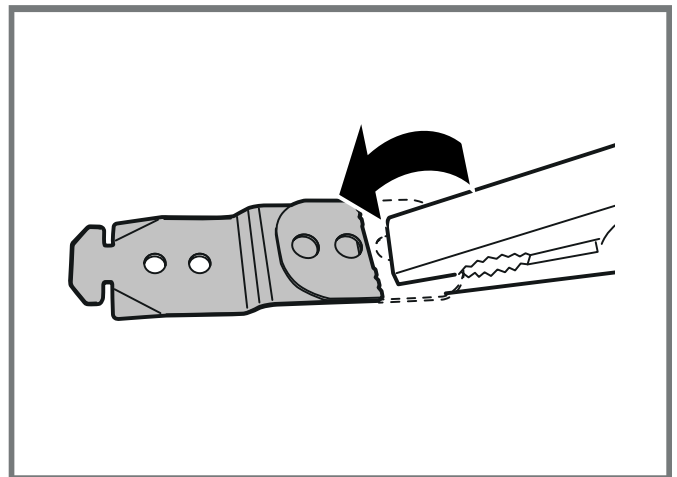
#### Montage par le haut

Le montage par le haut est utilisé pour les comptoirs en bois ou autres matériaux qui peuvent être facilement percés.

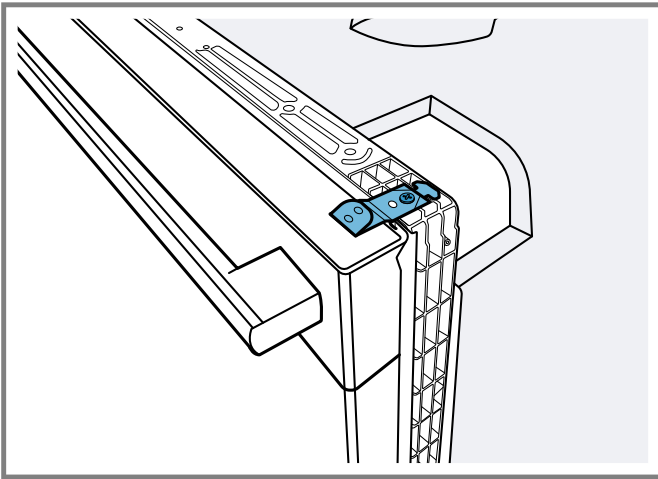
#### ⚠ MISE EN GARDE

Évitez les bords tranchants

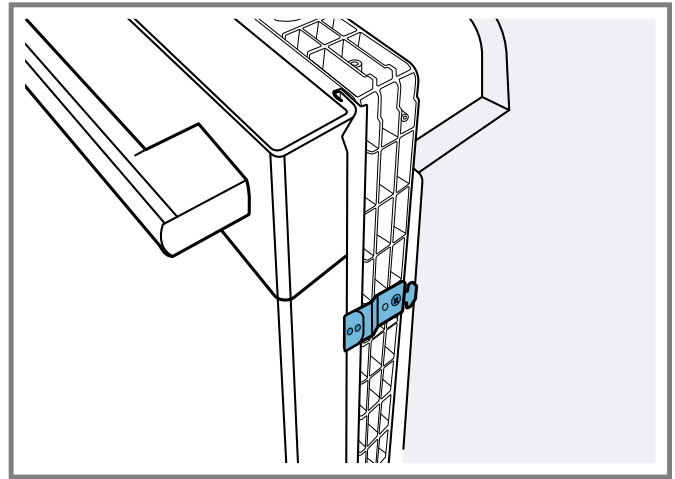
- ▶ Ne cassez pas les équerres de fixation, car cela risquerait de former des arêtes vives.
1. Saisissez l'équerre de fixation avec une pince et repliez le support sur lui-même au niveau de la perforation.



2. Fixez les équerres de fixation au cadre à l'aide des vis 3/4 po (19 mm) fournies.



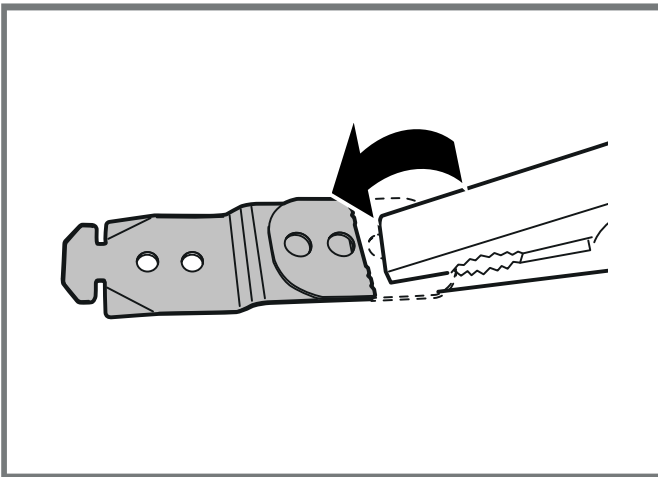
2. Fixez les équerres de fixation au cadre à l'aide des vis fournies.



### Montage latéral

Le montage latéral est utilisé pour les comptoirs en marbre, granit ou autre matériau de surface solide qui ne peut être facilement percé.

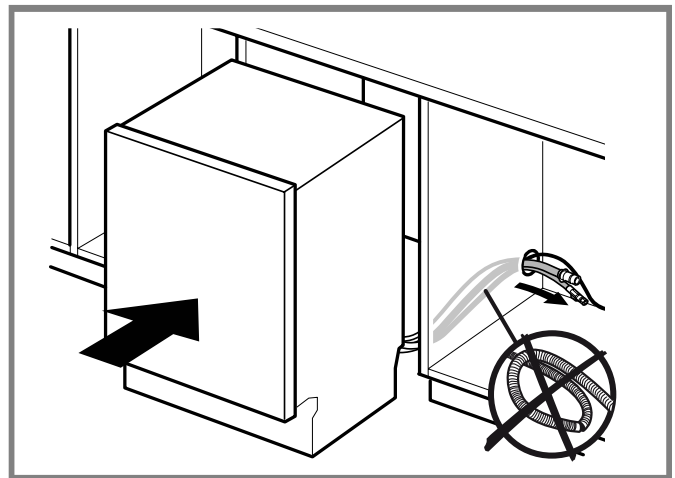
1. Saisissez l'équerre de fixation avec une pince et repliez le support sur lui-même au niveau de la perforation.



### 4.6 Installer un lave-vaisselle dans un meuble

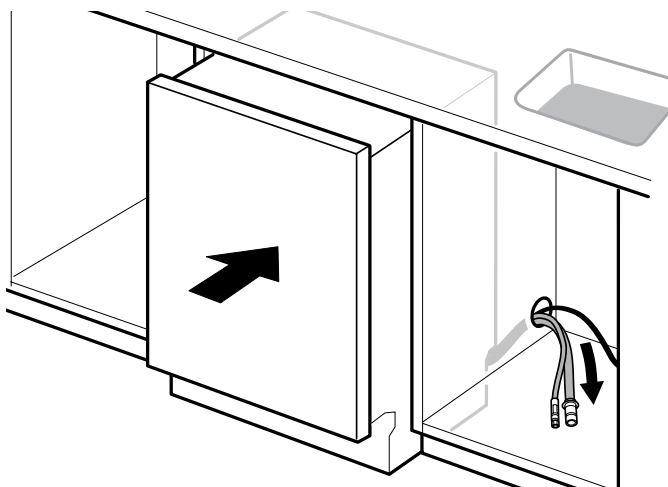
Pour éviter de rayer le sol, utilisez des protections de sol et faites attention lorsque vous faites glisser le lave-vaisselle dans le meuble.

1. Faites d'abord passer le cordon d'alimentation par le trou inférieur du meuble, puis ajoutez les tuyaux.
2. Avec les deux mains, poussez le lave-vaisselle à 1/3 de sa longueur dans l'armoire et ARRÊTEZ.

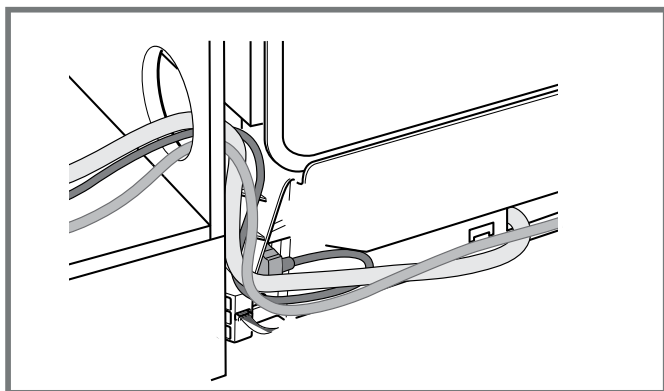


3. Tirez les tuyaux et le cordon d'alimentation à travers le trou dans l'armoire comme indiqué.

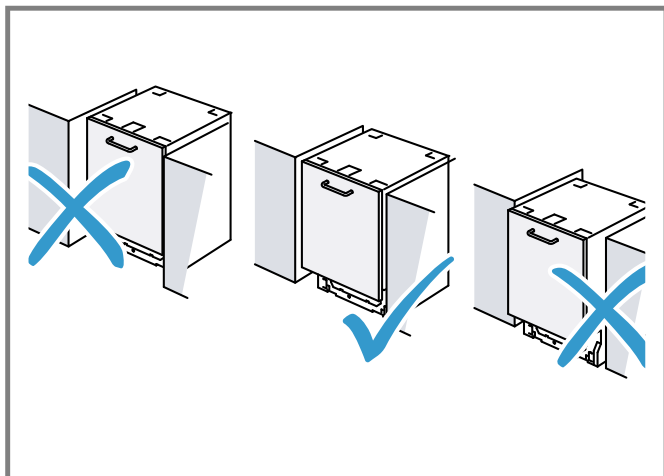
4. Poussez l'appareil à 2/3 de sa longueur dans l'ouverture et ARRÊTEZ.



5. Passez la main dans le meuble adjacente et sortez complètement les tuyaux et l'excédent de cordon d'alimentation afin qu'ils ne soient pas pliés.



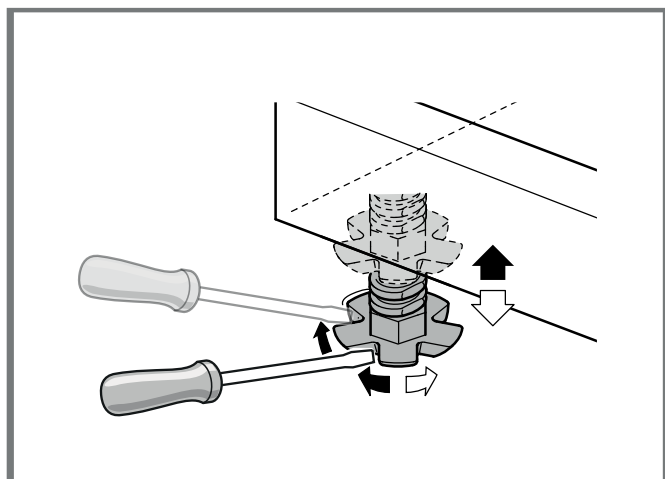
6. Enfin, poussez l'unité jusqu'à ce qu'elle affleure la porte du meuble.



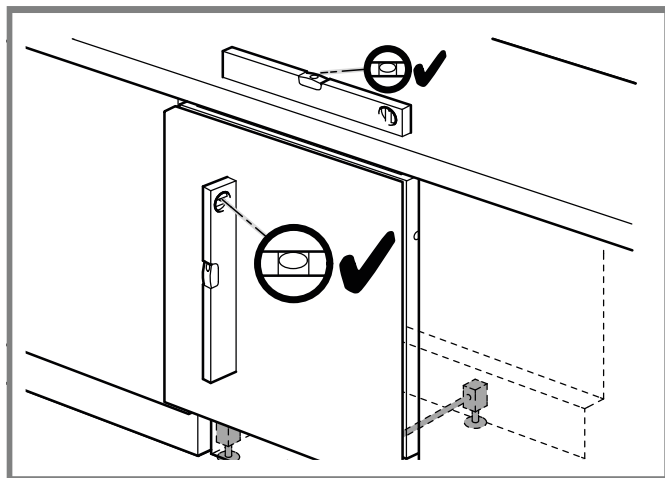
## 4.7 Mise à niveau du lave-vaisselle

Maintenant que le lave-vaisselle est dans le meuble, vérifiez à nouveau les niveaux.

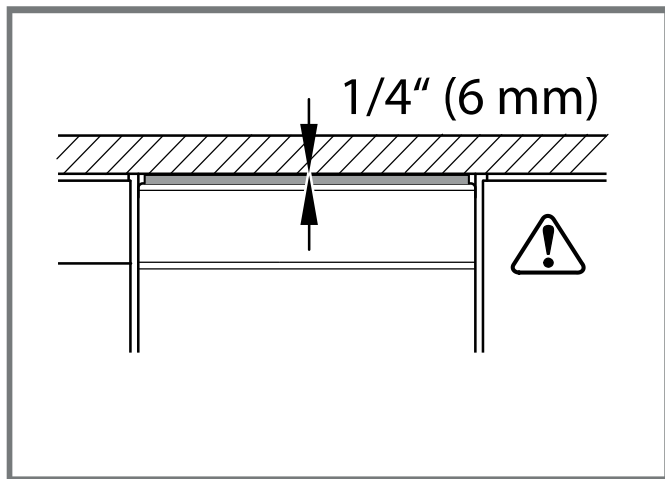
1. Nivelez d'un côté à l'autre en tournant les pieds dans le sens des aiguilles d'une montre pour relever l'avant ou dans le sens inverse pour l'abaisser.



2. Utilisez un niveau pour vérifier que votre lave-vaisselle est de niveau. Vérifiez que le comptoir est de niveau et ajustez le lave-vaisselle au comptoir.



3. Assurez-vous que le haut de la porte n'est pas à moins de 1/4 po (6 mm) du dessous du comptoir.

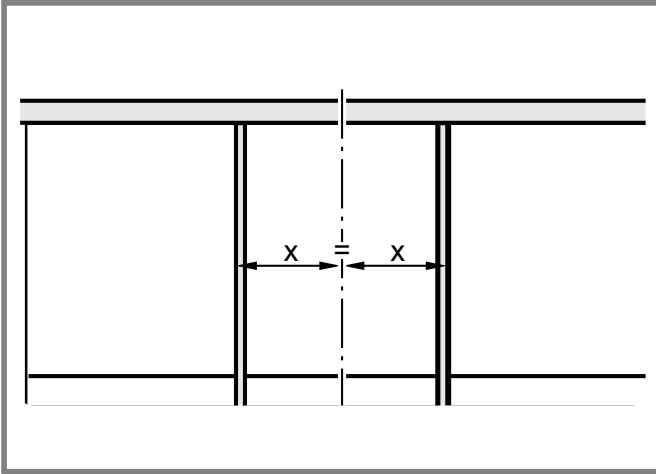




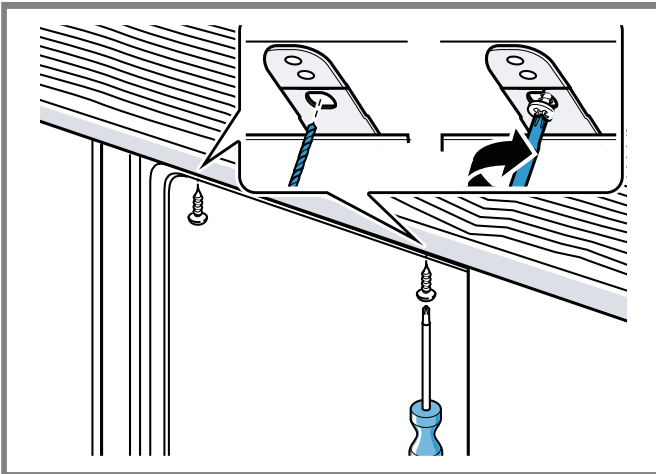


## 4.8 Fixer le lave-vaisselle

1. Centrez le lave-vaisselle dans l'ouverture.

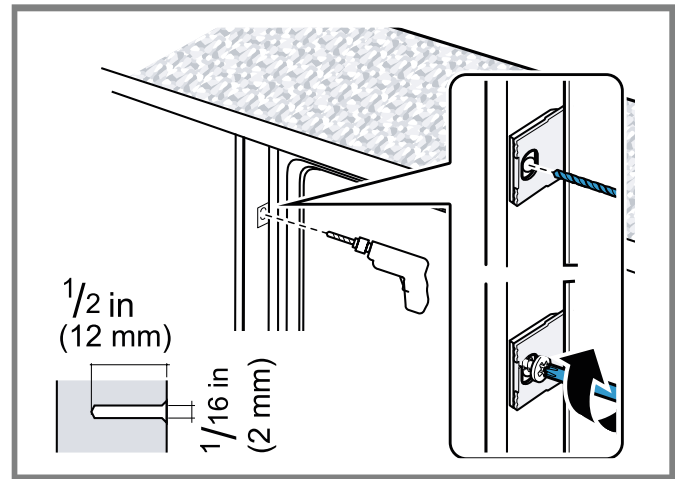


2. Si vous utilisez le montage par le haut, vissez les vis des équerres de fixation à travers les trous dans ces dernières. Choisissez le trou le mieux adapté à votre installation.



Si le lave-vaisselle a été livré avec une barrière de protection, vissez à travers la barrière.

3. Pour le montage latéral, soulevez le rabat de la bande déco et insérez les vis en dessous.



## 5 Raccordement du lave-vaisselle

Suivez les instructions suivantes pour raccorder le lave-vaisselle.

### 5.1 Installation de l'arrivée d'eau

Le chauffe-eau doit être réglé pour fournir de l'eau à environ 49° C (120° F) au lave-vaisselle. Une eau trop chaude peut nuire à l'efficacité de certains détergents. Plus l'eau est froide, moins le lave-vaisselle est efficace. La pression d'alimentation en eau chaude doit être comprise entre 1 et 10 bars (15 et 145 psi).

#### **⚠ AVERTISSEMENT**

Risque d'échaudage

- N'effectuez pas de travaux sur une conduite d'eau chaude sous pression. Des blessures graves pourraient en résulter. Confiez les travaux de plomberie exclusivement à un plombier qualifié. Ne tentez pas de travailler sur la plomberie d'alimentation en eau chaude du lave-vaisselle avant d'être certain que l'alimentation en eau chaude est coupée.

#### **AVIS :**

Soudure des conduites de plomberie

- Les températures requises pour la soudure et le ressuage endommageront le lave-vaisselle. Si des conduites de plomberie doivent être soudées ou ressuées, maintenez la source de chaleur à une distance d'au moins 6 pouces (152,4 mm) du lave-vaisselle.

### Codes de plomberie

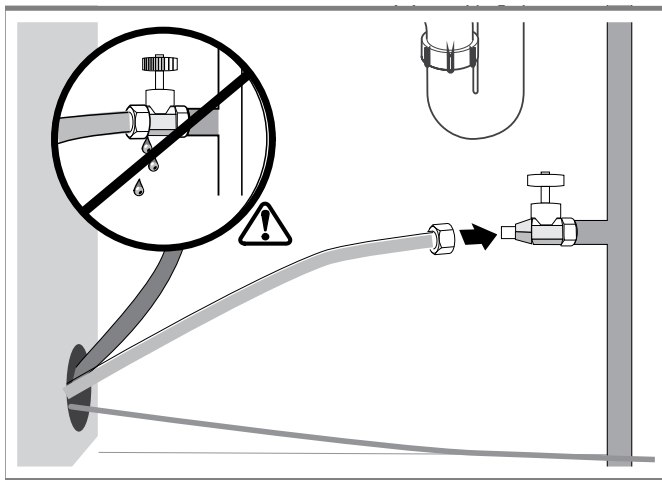
- ▶ Vérifiez les codes de plomberie locaux pour les procédures et accessoires de plomberie approuvés. Toute la plomberie doit être effectuée conformément aux codes nationaux et locaux.

### Remarque

Remarques importantes pour le raccordement à l'eau :

- Si vous utilisez un joint à souder au lieu d'un raccord à compression, veillez à terminer tous les raccords à souder avant de raccorder la ligne d'alimentation en eau au lave-vaisselle.
- Utilisez une ligne d'alimentation en eau approuvée pour le lave-vaisselle avec les raccords appropriés pour cette connexion.
- Si vous utilisez des tuyaux en cuivre ou tout autre matériau non décrit dans ce manuel pour l'alimentation en eau, confiez l'installation à un plombier agréé.
- Utilisez toujours des joints appropriés lorsque vous effectuez des raccordements de plomberie.

1. Rincez la conduite d'eau entrante pendant environ 1 minute pour éliminer tout corps étranger.
2. Raccordez la conduite d'alimentation en eau du lave-vaisselle à la vanne d'arrêt d'eau.
  - Installez un robinet d'arrêt s'il n'y en a pas déjà un sur la ligne d'alimentation.
  - Assurez-vous qu'il n'y a pas de coudes ou de plis aigus dans la conduite d'eau qui pourraient entraver l'écoulement de l'eau.



3. Serrez correctement tous les raccords d'eau.
4. Une fois tous les raccordements effectués, ouvrez l'eau chaude et contrôlez la présence de fuites.

## 5.2 Installation du raccord d'évacuation

Le tuyau d'évacuation doit être installé avec une boucle élevée ou une fente d'aération.

### AVIS :

Installation du tuyau d'évacuation

- ▶ Le tuyau d'évacuation du lave-vaisselle doit être installé avec une partie de celui-ci à au moins 33 po (84 cm) du sol, sinon le lave-vaisselle risque de ne pas s'écouler correctement.

Retirer la fiche du broyeur à ordures

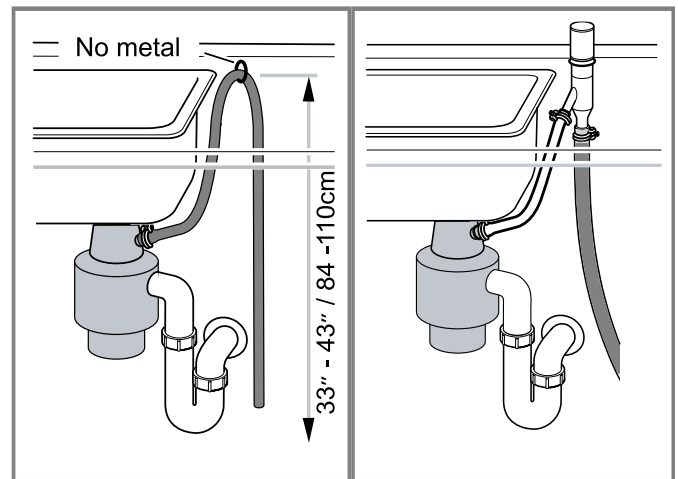
- ▶ Si le tuyau d'évacuation du lave-vaisselle doit être raccordé à un broyeur d'ordures, retirez d'abord le bouchon du raccord du broyeur.

### Remarque

Remarques importantes pour les raccords d'évacuation :

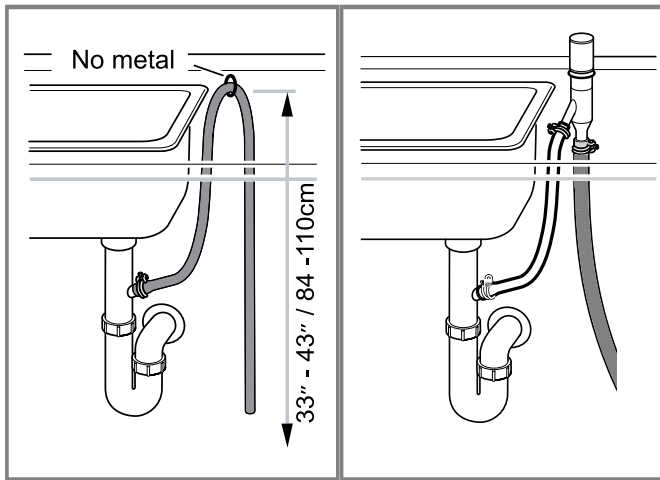
- Si la réglementation locale exige une fente d'aération, installez-la conformément aux instructions du fabricant.
- La longueur du tuyau d'évacuation peut être allongée si nécessaire. Utilisez la trousse #SGZ1010UC. La longueur maximale du tuyau d'évacuation, y compris le tuyau menant à la fente d'aération, est de 150 po (380 cm).

1. Placez un collier de serrage à l'extrémité du tuyau d'évacuation AVANT de le raccorder à la plomberie.
2. Si vous avez un broyeur d'ordures, connectez le tuyau d'évacuation au broyeur d'ordures avec une boucle élevée ou une fente d'aération.

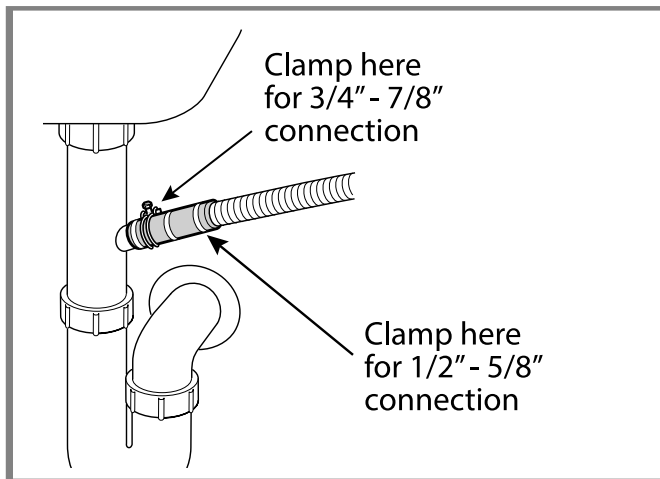


3. Si vous n'avez pas de broyeur d'ordures, connectez le tuyau d'évacuation au raccordement d'évacuation avec une boucle élevée ou une fente d'aération.





4. Serrez le collier de serrage autour de la plomberie domestique.

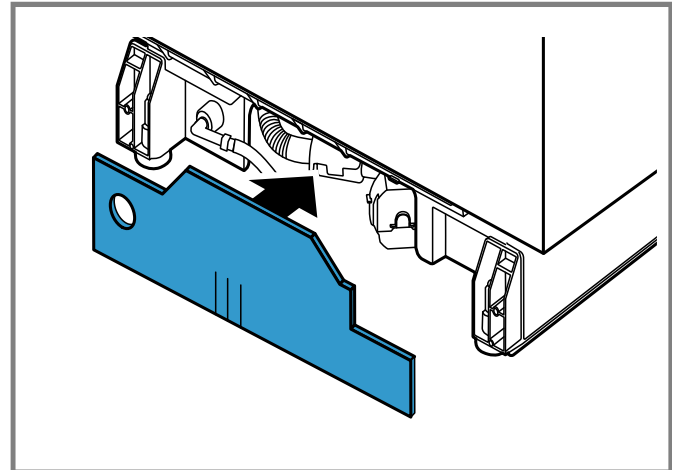


### 5.3 Connexion électrique et cycle d'essai

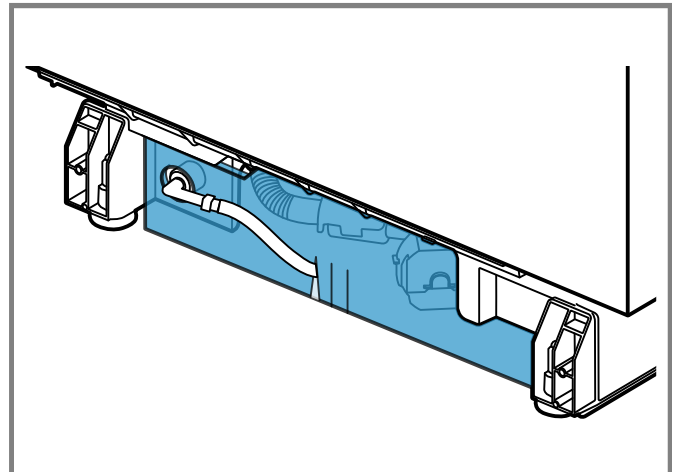
1. Pour les raccordements à une prise murale, branchez le lave-vaisselle dans la prise.
2. Mettez l'alimentation électrique sous tension.
3. Assurez-vous que l'alimentation en eau est en marche.
4. Mettez le lave-vaisselle en marche et lancez un cycle d'essai pendant 15 minutes.
5. Vérifiez que le cycle fonctionne et qu'il n'y a pas de fuites pendant qu'il est en marche.
6. Arrêtez le cycle et éteignez le lave-vaisselle.

### 5.4 Fixer la plinthe

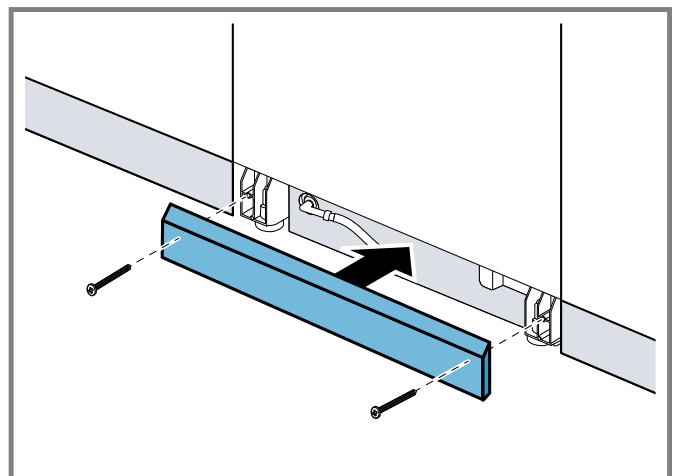
1. Retirez le molleton de la plinthe de l'emballage et insérez-le dans la base à l'avant du lave-vaisselle.



2. Rentrez le haut du molleton dans l'ouverture avant de la base. Si nécessaire, repliez le bord inférieur pour un bon ajustement.



3. Fixez la plinthe à l'aide des vis 3/4 po de manière à ce qu'elle soit à ras au sol. Utilisez des vis noires pour une plinthe noire et des vis inoxydables pour une plinthe blanche.





4. L'installation est terminée!

---

## 6 Service à la clientèle

Lors de toute réparation réalisée dans le cadre de la garantie, nous nous assurons que votre appareil est réparé avec des pièces de rechange d'origine par un technicien dûment formé et agréé. Nous utilisons exclusivement des pièces de rechange d'origine lors des réparations.

Pour plus d'informations sur la durée et les conditions de la garantie dans votre pays, consultez nos modalités de garantie auprès de votre détaillant ou sur notre site Web. Si vous contactez le service à la clientèle, indiquez le numéro de modèle (E-Nr.) et le numéro de fabrication (FD) de l'appareil.

USA:

1-800-944-2904

[www.bosch-home.com/us/owner-support/get-support](http://www.bosch-home.com/us/owner-support/get-support)

[www.bosch-home.com/us/shop](http://www.bosch-home.com/us/shop)

CA:

1-800-944-2904

[www.bosch-home.ca/en/service/get-support](http://www.bosch-home.ca/en/service/get-support)

[www.bosch-home.ca/en/service/cleaners-and-accessories](http://www.bosch-home.ca/en/service/cleaners-and-accessories)

Vous trouverez également de l'aide pour contacter Home Connect à l'adresse suivante :

[www.home-connect.com/us/en/help-support/set-up](http://www.home-connect.com/us/en/help-support/set-up)

### 6.1 Numéro de modèle (E-Nr.) et numéro de fabrication (FD)

Le numéro de modèle (E-Nr.) et le numéro de fabrication (FD) sont indiqués sur la plaque signalétique de l'appareil. Vous trouverez la plaque signalétique à l'intérieur de la porte de l'appareil.

Pour retrouver rapidement les données de votre appareil et le numéro de téléphone du service à la clientèle, n'hésitez pas à les recopier ailleurs.

# Tabla de contenidos

<b>1 INSTRUCCIONES DE SEGURIDAD</b>	
<b>IMPORTANTES.....</b>	<b>30</b>
1.1 Definiciones de seguridad .....	30
1.2 Información general .....	30
1.3 Instalación segura .....	30
1.4 Seguridad eléctrica .....	31
1.5 Advertencias en virtud de la Proposición 65 del estado de California .....	31
<b>2 Antes de empezar .....</b>	<b>32</b>
2.1 Revisar el lavavajillas .....	32
2.2 Componentes incluidos .....	32
2.3 Herramientas y componentes necesarios .....	32
2.4 Lista de comprobación de preinstalación .....	33
2.5 Requisitos eléctricos .....	33
2.6 Requisitos del gabinete .....	33
<b>3 Preparación para la instalación .....</b>	<b>34</b>
<b>4 Procedimiento de instalación .....</b>	<b>34</b>
4.1 Acoplar la manguera de entrada de agua .....	34
4.2 Acoplar la manguera de desagüe.....	35
4.3 Nivelar provisionalmente el lavavajillas .....	35
4.4 Acoplar el cable de alimentación.....	36
4.5 Soportes de montaje .....	36
4.6 Instalar el lavavajillas en el espacio del gabinete ....	37
4.7 Nivelar el lavavajillas.....	38
4.8 Fijar el lavavajillas .....	39
<b>5 Conexión del lavavajillas.....</b>	<b>39</b>
5.1 Instalar la conexión de entrada de agua.....	39
5.2 Instalar la conexión de desagüe.....	40
5.3 Conexión eléctrica y ciclo de prueba.....	41
5.4 Acoplar la placa protectora del zócalo.....	41
<b>6 Servicio de atención al cliente .....</b>	<b>42</b>
6.1 Número de modelo (E-Nr.) y número de fabricación (FD) .....	42



# INSTRUCCIONES DE SEGURIDAD IMPORTANTES

## LEA Y CONSERVE ESTAS INSTRUCCIONES

Leer atentamente todas las instrucciones antes de proceder con el uso. Si se toman estas precauciones, se reducirán los riesgos de descargas eléctricas, incendios y lesiones personales. Al utilizar aparatos de cocina, se deben tomar precauciones de seguridad básicas, incluidas las que se detallan en las páginas siguientes.

### 1.1 Definiciones de seguridad

Aquí puede encontrar explicaciones de las palabras de señal de seguridad utilizadas en este manual.

#### ADVERTENCIA

Esto indica que pueden producirse la muerte o heridas graves si no se cumple con esta advertencia.

#### PRECAUCIÓN

Esto indica que pueden producirse heridas leves o moderadas si no se cumple con esta advertencia.

#### AVISO:

Esto indica que pueden producirse daños en el aparato o en los bienes si no se cumple con este aviso.

**Nota:** Esto alerta sobre información o sugerencias importantes.

### 1.2 Información general

Para reducir el riesgo de incendio, descarga eléctrica o lesiones graves, cumplir lo siguiente.

- Antes de utilizar el aparato, debe haber leído y comprendido todas las indicaciones.
- Guarde toda la información suministrada para consultas posteriores o para el próximo propietario.
- El aparato no debe conectarse en caso de haber sufrido daños durante el transporte.
- Se pueden producir daños y / o lesiones graves en el producto por el uso de técnicos de servicio no calificados o piezas no originales. Todas las reparaciones deben ser realizadas por un técnico de servicio cualificado, empleando exclusivamente piezas de repuesto originales de fábrica para el equipo.
- Los lavavajillas para uso residencial con la Certificación NSF/ANSI 184 no han sido diseñados para uso en establecimientos con licencia para servir alimentos.

### 1.3 Instalación segura

Seguir estas instrucciones de seguridad al instalar el aparato.

- Estas instrucciones de instalación están diseñadas para su uso solo por parte de instaladores calificados. El lavavajillas debe ser instalado por un técnico o un instalador cualificado.
- La manguera de desagüe del lavavajillas debe instalarse con una parte de ella al menos a 33" (84 cm) del suelo; de lo contrario, es posible que el lavavajillas no desagüe correctamente.
- No utilizar el lavavajillas en exteriores. Solo está diseñado para uso residencial en interiores y no debería utilizarse en establecimientos comerciales de alimentación.
- Este lavavajillas está diseñado para estar rodeado de gabinetes arriba y a ambos lados.
- NUEVA INSTALACIÓN - Si el lavavajillas es una nueva instalación, asegurarse de que todas las conexiones estén bien hechas antes de llevar el lavavajillas al lugar donde se va a instalar.
- SUSTITUCIÓN - Si el lavavajillas está sustituyendo a otro lavavajillas, comprobar que las conexiones existentes del anterior lavavajillas sean compatibles con el nuevo y cambiar las piezas en caso necesario.
- Se ha comprobado que este aparato es conforme con CAN/CSA-C22.2 n.º 167/UL 749. Es responsabilidad del propietario y del instalador determinar si son aplicables otros requisitos o normas en instalaciones específicas.

#### ADVERTENCIA

En ciertas condiciones, es posible que se produzca gas hidrógeno en un sistema de agua caliente que no haya sido utilizado durante dos semanas o más. El gas hidrógeno es explosivo.

- ▶ Antes de usar un lavavajillas conectado a un sistema de agua caliente que haya estado inactivo durante más de dos semanas, abrir todos los grifos y permitir que el agua fluya desde cada uno de ellos durante varios minutos. De este modo, se eliminará el gas hidrógeno que se haya acumulado. Debido a que el gas es explosivo, no fume ni use una llama expuesta durante esta actividad.



# INSTRUCCIONES DE SEGURIDAD IMPORTANTES

## LEA Y CONSERVE ESTAS INSTRUCCIONES

### 1.4 Seguridad eléctrica

Seguir estas instrucciones de seguridad para evitar descargas eléctricas.

- El lavavajillas debe estar puesto a tierra correctamente antes de la operación. Este aparato debe estar conectado a un sistema permanente de cableado con toma de tierra, metálico, o debe tenderse un conductor de puesta a tierra de equipo con los conductores de circuito y conectarse al terminal de tierra del equipo o al cable del lavavajillas.
- NO usar un cable de extensión.
- NO reutilizar un cable de alimentación antiguo; utilizar solo el cable suministrado.
- Asegurarse de que el lavavajillas tenga una puesta a tierra adecuada que cumpla con la normativa local o, si no existe normativa local, con la **NORMATIVA ELÉCTRICA NACIONAL** de los Estados Unidos o la última edición de la **NORMATIVA ELÉCTRICA CANADIENSE C22.1** en Canadá, así como cualquier otra normativa local, municipal, provincial o estatal que aplique.
- Instalaciones que requieren cableado y bloque de terminales - El modelo del bloque de terminales/caja de conexiones SMZPCJB1UC no está incluido, pero puede solicitarse al servicio de atención al cliente llamando al 1-800-944-2904. Seguir las instrucciones incluidas en el kit.

#### ADVERTENCIA

Evitar descargas eléctricas

- ▶ No trabajar en un circuito energizado. Hacerlo podría tener como resultado lesiones graves o incluso mortales. Solo electricistas cualificados deberían realizar trabajos eléctricos. No trate de realizar ningún trabajo en el circuito de suministro eléctrico del lavavajillas hasta que esté completamente seguro de que el circuito está desenergizado.
- ▶ Para evitar posibles lesiones o daños en la propiedad, debería tenerse cuidado al instalar o retirar el lavavajillas para reducir la posibilidad de daños en el cable de alimentación.

#### ADVERTENCIA

Evitar riesgo de incendio

- ▶ Asegurarse de que los componentes eléctricos estén correctamente instalados y hayan sido comprobados por electricistas cualificados.

- ▶ Asegurarse de que no haya conexiones eléctricas sueltas. Asegurarse de que todas las conexiones eléctricas estén bien realizadas. ¡Las conexiones eléctricas sueltas y mal instaladas podrían provocar un sobrecalentamiento!

Conexiones de toma de corriente en pared

- ▶ Utilizar únicamente el cable de alimentación suministrado para conexiones de toma de corriente en pared.
  - ▶ NO usar ningún cable de extensión o cualquier otro tipo de cable o adaptador modificado con este aparato.
  - ▶ NO cortar o empalmar el cable de alimentación.
  - ▶ NO modificar el cable de alimentación de ningún modo.
- Conexiones de cable fijas (además de las advertencias ya mencionadas):
- ▶ Usar solo el cable de alimentación para cajas de conexión que puede adquirirse como kit de accesorios #SMZPCJB1UC.
  - ▶ Leer detenidamente las instrucciones de instalación del bloque de terminales.
  - ▶ NO quitar, alterar o sobrepasar el bloque de terminales.

### 1.5 Advertencias en virtud de la Proposición 65 del estado de California

Este producto puede contener un químico que el Estado de California reconoce como potencialmente cancerígeno o causante de daños reproductivos. Por tanto, su producto debe llevar en su embalaje la siguiente etiqueta de conformidad con la legislación de California:

**ADVERTENCIA EN VIRTUD DE LA PROPOSICIÓN 65 DEL ESTADO DE CALIFORNIA:**

**⚠ ADVERTENCIA**

Cáncer y daño reproductivo - [www.P65Warnings.ca.gov](http://www.P65Warnings.ca.gov)

## 2 Antes de empezar

Leer estas instrucciones antes de comenzar la instalación del aparato.

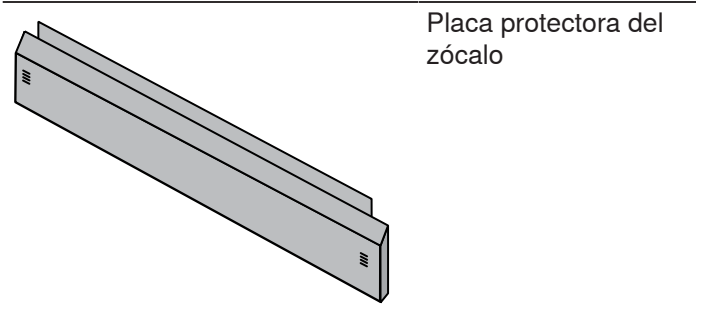
### 2.1 Revisar el lavavajillas

Después de desembalar el lavavajillas y antes de la instalación, revisarlo para descartar posibles daños cosméticos o producidos durante el transporte. Informar inmediatamente de cualquier daño. Los defectos cosméticos deben notificarse dentro del plazo de 30 días de instalación. **ATENCIÓN:** No desechar ninguna bolsa ni ningún objeto que venga con el embalaje original hasta haber realizado la instalación completa.

### 2.2 Componentes incluidos

Tras desembalar todos los componentes, verificar que no hayan sufrido ningún daño durante el transporte.

	Cable de alimentación
	Abrazadera de tornillo
	Abrazadera de resorte
	Soportes de montaje Tornillos para madera del soporte de montaje para fijar a gabinetes
	Tornillos para instalación del soporte de montaje, bloqueo de la regulación de las patas y placa protectora del zócalo Si su modelo se suministra con una placa protectora del zócalo blanca, utilice tornillos de acero inoxidable para fijarla



Placa protectora del zócalo

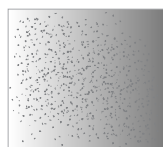
### 2.3 Herramientas y componentes necesarios

Antes de comenzar la instalación de su aparato, reúna las siguientes herramientas y componentes adicionales.

Herramientas	
	Taladro eléctrico
	Sierra de corona
	Cinta métrica
	Destornillador Phillips
	Destornillador plano
	Llave ajustable x2
	Pinzas
	Nivel



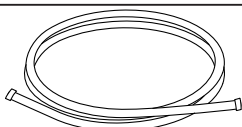
Papel de lija grueso



## Componentes

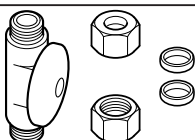


Conexión acodada con roscas hembra de manguera de 3/4" en un extremo y conexión a la línea de suministro de agua en el otro.



Manguera de entrada de agua - tubería de cobre con diámetro exterior de mínimo 3/8" o línea de suministro del lavavajillas de trenzado metálico.

\* Tanto el codo como la manguera de entrada de agua pueden encontrarse en el kit de suministro del lavavajillas SMZSH1ABUC.



Grifo de cierre y racores de unión adecuados para línea de suministro de agua caliente.

## 2.4 Lista de comprobación de preinstalación

Asegurarse de que se cumplen los siguientes requisitos cuando se planifique la instalación del aparato.

### ⚠ ADVERTENCIA

Evitar escaldaduras o peligro de descarga eléctrica

- ▶ Asegurarse de que el suministro de agua y eléctrico estén apagados antes de realizar la instalación o de poner el aparato en funcionamiento.
- ▶ Evitar que las líneas eléctricas y de suministro se toquen.
- Seleccionar un lugar lo más cerca posible del fregadero para tener un fácil acceso al suministro de agua y las líneas de desagüe.
- Asegurarse de que la unidad esté instalada lo suficientemente cerca del fregadero, de forma que la longitud de la tubería de desagüe no exceda los 92" (2337 mm) y que una parte de la manguera de desagüe ascienda al menos 33" sobre el nivel del suelo.
- Asegurarse de que el lugar donde esté empotrado el aparato sea cuadrado y de que la apertura tenga al menos 34" (863,3 mm) de alto y 24" (609,6 mm) de ancho.
- Comprobar que la abertura en el gabinete sea lo suficientemente grande para guiar el cable eléctrico, la línea de agua y la manguera de desagüe. Si no lo es, crear una nueva abertura. Consultar

- Si la abertura es de madera, asegurarse de que esté pulida. Si es metal, asegurarse de que esté cubierta por una junta protectora.
- Asegurarse de que el calentador de agua se ajuste a 120° F (49° C) y la presión de agua sea de 15-145 psi (1-10 bar)
- Determinar el método de montaje en función del modelo de lavavajillas y el tipo de encimera. Consultar → "Soportes de montaje", Página 36.
- Utilizar únicamente el hardware incluido para la instalación. Si está sustituyendo un dispositivo, deseche la manguera anterior y el resto del equipamiento adecuadamente.
- Para evitar rayar el suelo, tenga lista una protección para el suelo para el momento de deslizar el lavavajillas dentro del gabinete.

## 2.5 Requisitos eléctricos

Asegurarse de que se cumplen los siguientes requisitos eléctricos.

### Capacidad nominal del lavavajillas

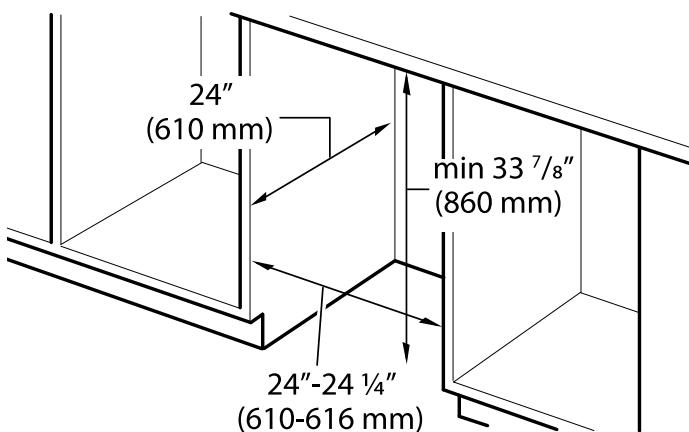
Voltios	120
Hercios	60
Amperios	12
Vatios	1,440 (máx.)

### Suministro eléctrico

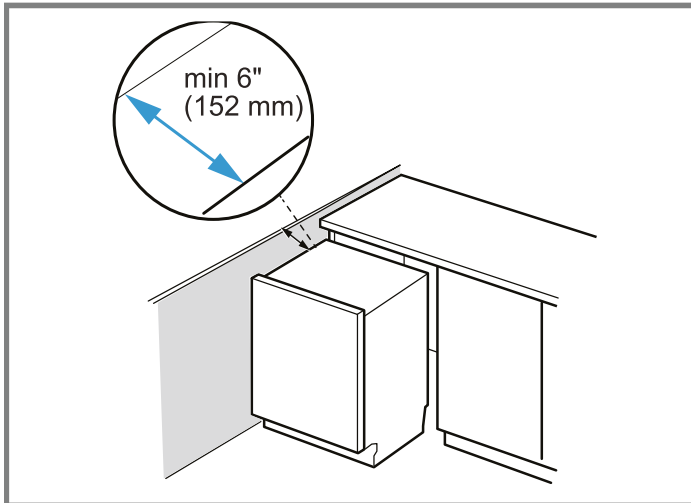
El cliente tiene la responsabilidad de garantizar que la instalación eléctrica del lavavajillas cumpla con todas las normas y reglamentos eléctricos locales y nacionales. El lavavajillas está diseñado para un suministro eléctrico de 120V, 60 Hz, CA, conectado a un circuito eléctrico propio del lavavajillas y correctamente puesto a tierra, con un interruptor automático o fusible de 15 o 20 amperios.

## 2.6 Requisitos del gabinete

Asegurarse de que el espacio del gabinete para la instalación tenga las dimensiones necesarias.



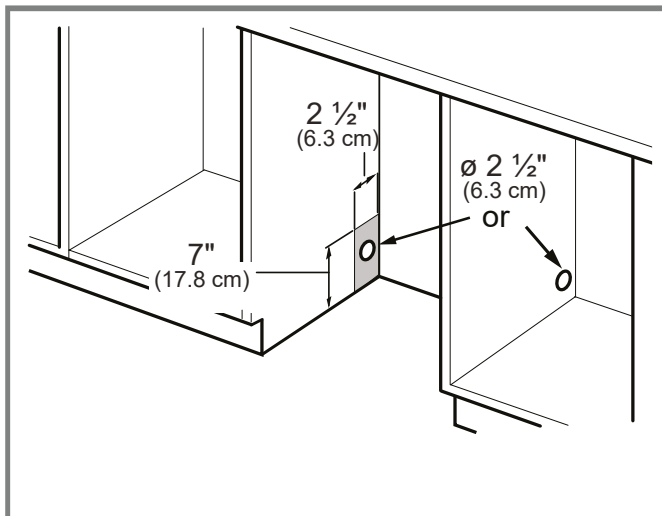
Si el lavavajillas debe instalarse en una esquina, asegurarse de que exista el espacio suficiente para abrir la puerta como se muestra.



### 3 Preparación para la instalación

Después de encontrar el lugar adecuado para el lavavajillas, crear una abertura en el lado adecuado para las líneas eléctricas, de agua y de desagüe.

1. Cortar un agujero dentro del área de 7 x 2,5" mostrada.

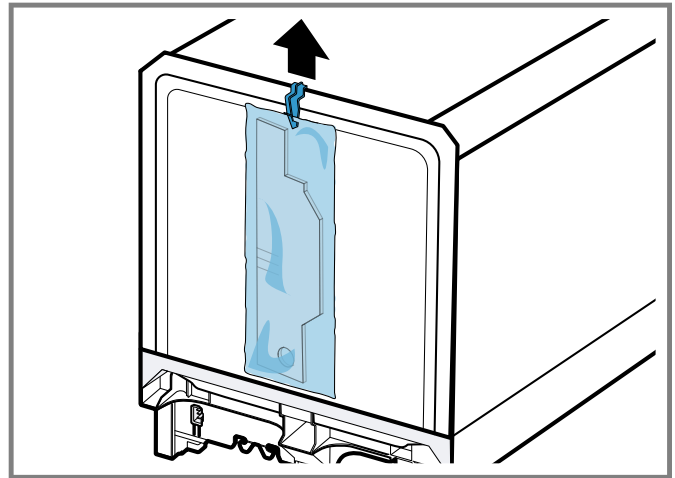


Si la abertura se hace en madera, pulirla hasta que esté lisa.

Si la abertura se hace en metal, utilizar el protector de bordes con el kit de clips para el cable de alimentación SMZEPCC1UC.

2. Extraer la manguera de desagüe del interior del lavavajillas.

3. Retirar el vellón de la placa protectora del zócalo de la parte trasera del lavavajillas.



### 4 Procedimiento de instalación

Seguir las instrucciones para instalar el lavavajillas.

#### 4.1 Acoplar la manguera de entrada de agua

##### AVISO:

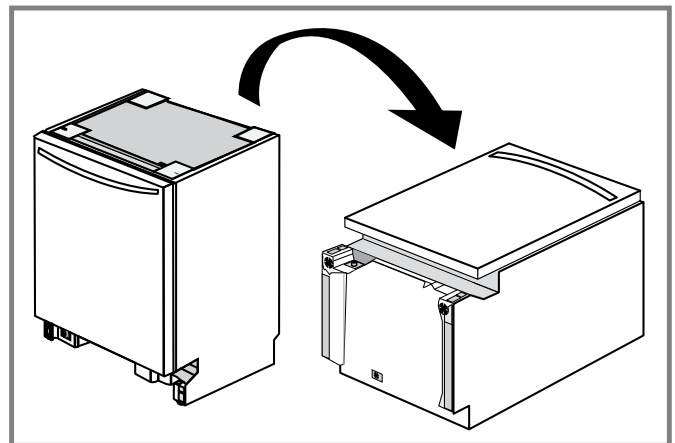
Evitar trasroscar la manguera

► De lo contrario, podrían producirse fugas.

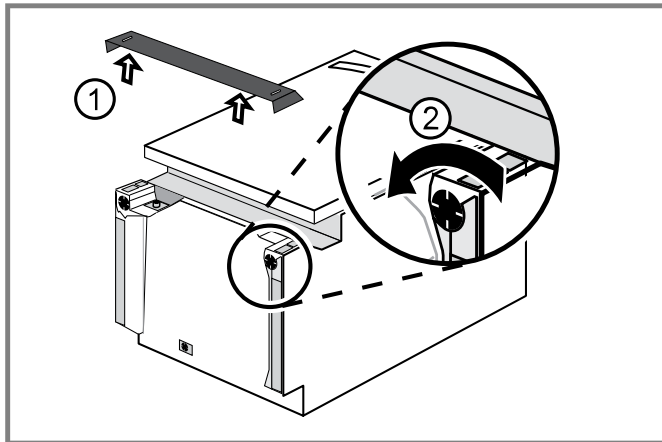
Cinta de teflón

► No utilizar cinta de teflón; podría causar fugas y dañar los suelos o gabinetes.

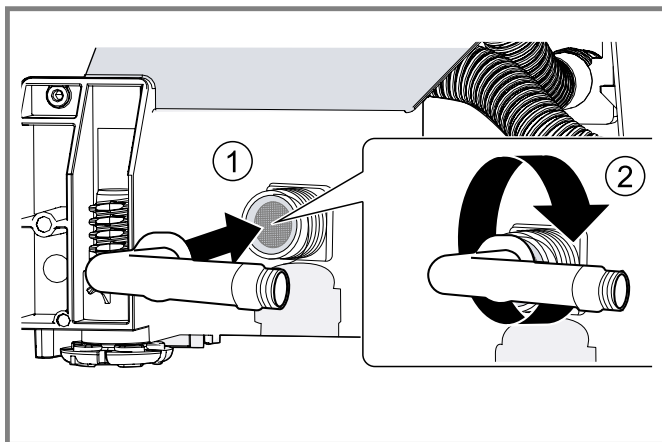
1. Con cuidado, voltear la unidad y colocarla sobre su parte posterior con la puerta hacia arriba.



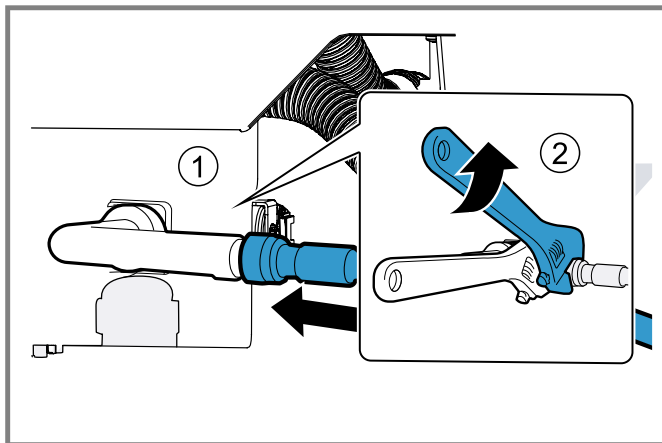
2. ① Retirar la placa protectora del zócalo de la parte frontal de la unidad (dejarla a un lado para más tarde) y
- ② aflojar los pies ligeramente.



3. Acoplar el racor a la válvula de entrada de agua de la parte frontal del lavavajillas.

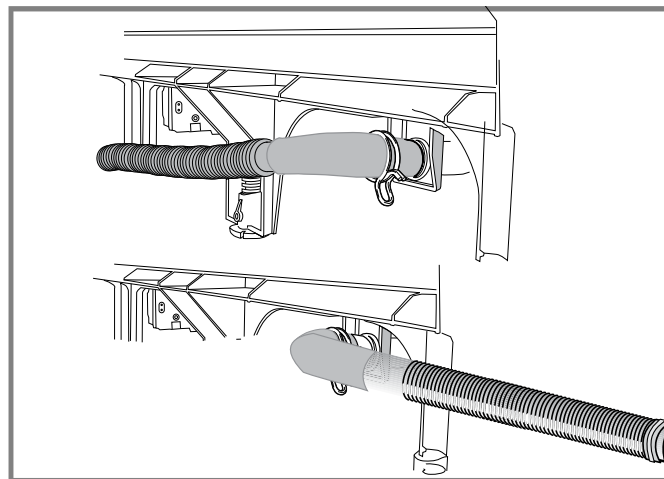


4. Acoplar la línea de agua caliente en el racor en codo. Utilizar dos llaves para apretar, usando una para estabilizar y evitar esfuerzos sobre la válvula de entrada de agua.



## 4.2 Acoplar la manguera de desagüe

1. Volver a poner la unidad en posición vertical, asegurándose de que la tubería de agua no esté pellizcada.
2. Mirando hacia la parte posterior de la unidad, orientar la manguera de desagüe hacia el fregadero.



**IMPORTANTE:** Orientar la manguera hacia el fregadero ANTES DE la conexión. No girarla después de acoplarla.

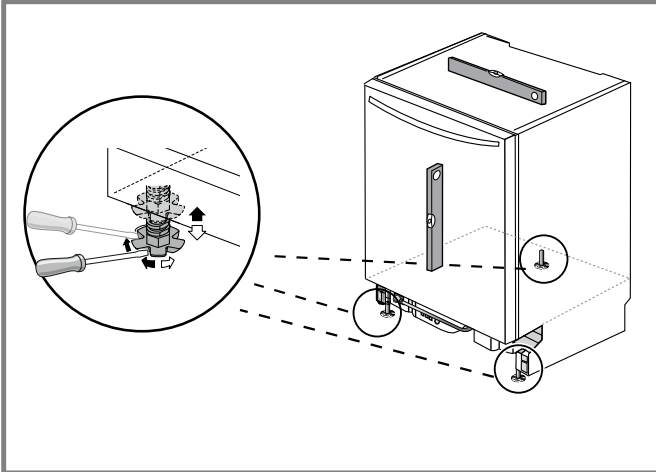
3. Acoplar el racor en codo de la manguera de desagüe a la parte posterior de la unidad utilizando pinzas para instalar la abrazadera de resorte.

## 4.3 Nivelar provisionalmente el lavavajillas

Regular el lavavajillas a la altura correcta antes de meterlo en el gabinete.

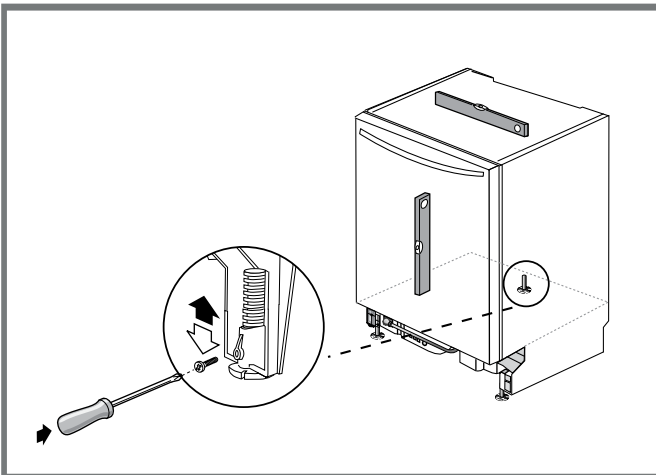
1. Medir la altura de la abertura del gabinete.

2. Elevar la parte frontal del lavavajillas hasta aproximadamente 1/2" más abajo que la altura de la abertura girando las tres patas.



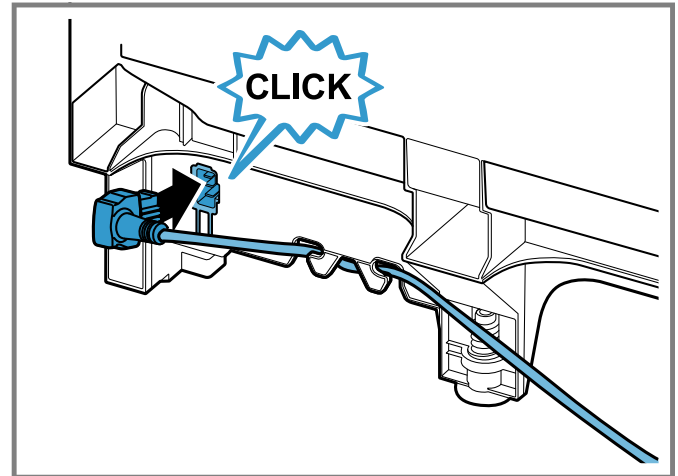
La unidad puede elevarse hasta una altura máxima de 34,5" (867,3 mm)

3. Utilizar un nivel sobre la parte frontal para comprobar que los pies estén nivelados.
4. Una vez que la unidad se encuentre a una altura satisfactoria, insertar un tornillo de bloqueo de la nivelación de la pata en el pie trasero.



#### 4.4 Acoplar el cable de alimentación

- Conectar el extremo del cable de alimentación en la parte posterior del lavavajillas.
  - Asegurarse de introducirlo del todo, hasta que se asiente completamente.



La toma de corriente para el cable de alimentación debería estar en un gabinete o una pared adyacente al gabinete del lavavajillas. No enchufar el lavavajillas a la toma de corriente de la pared hasta haber realizado todos los pasos de la instalación.

#### Notas

- Utilizar únicamente el cable de alimentación suministrado. Si falta el cable, pedir el kit SMZPC002UC al servicio de atención al cliente.
- Si se requiere un conexión de cables permanente, pedir el kit de accesorios para la caja de conexiones SMZPCJB1UC.
- Si la normativa eléctrica local exige abrazaderas para sujetar el cable al lavavajillas, utilizar el kit de accesorios SMZEPCC1UC.

#### 4.5 Soportes de montaje

Antes de instalar los soportes de montaje suministrados, decidir qué método se va a utilizar para fijar el lavavajillas al lugar en el que está empotrado, arriba (madera o material poroso) o en el lateral (piedra o superficie sólida). Una vez instalados los soportes de montaje en el lavavajillas, es difícil quitarlos y, al hacerlo, se dañarían tanto los soportes de montaje como el lavavajillas. Si dispone de una placa totalmente integrada, no instale los soportes de montaje antes de fijar la placa a la puerta.

#### ⚠ ADVERTENCIA

Evitar el peligro de vuelco

- No utilizar el lavavajillas hasta que esté completamente instalado. Para abrir la puerta de un lavavajillas no instalado, abrirla cuidadosamente mientras se sujeta la parte posterior de la unidad. Si no se sigue esta advertencia, podrían producirse lesiones graves.

### Montaje en la parte superior

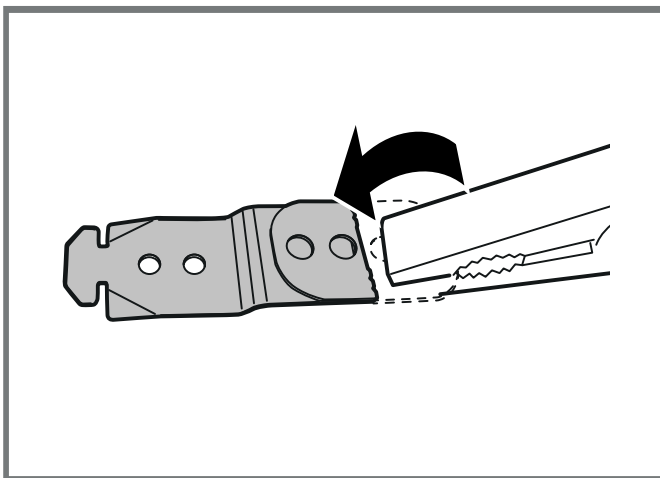
El montaje en la parte superior se utiliza para encimeras de madera o de otros materiales que pueden taladrarse fácilmente.

#### **⚠ PRECAUCIÓN**

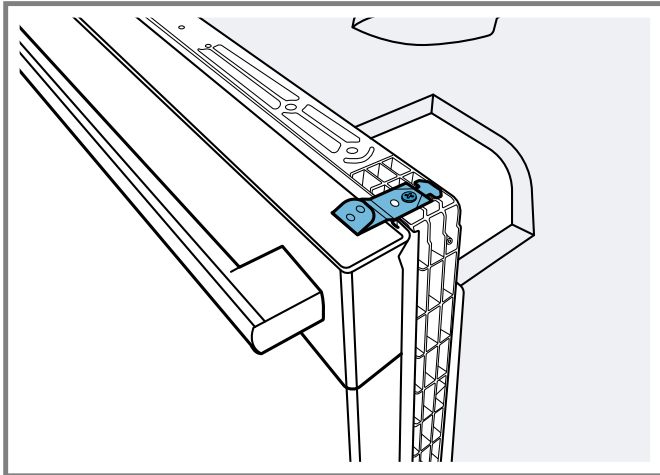
Evitar los bordes afilados

- ▶ No romper los soportes de montaje; se producirían bordes afilados.

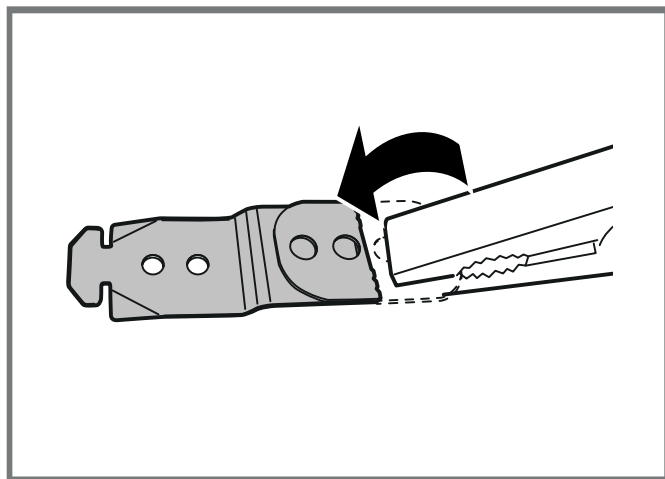
1. Agarrar el soporte de montaje con las pinzas y doblar el soporte sobre sí mismo en la perforación.



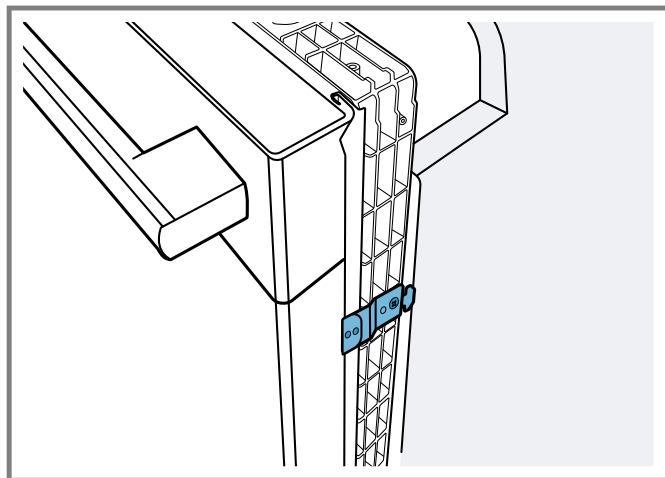
2. Acoplar los soportes de montaje al bastidor con los tornillos de 3/4" (19 mm) suministrados.



1. Agarrar el soporte de montaje con las pinzas y doblar el soporte sobre sí mismo en la perforación.



2. Acoplar los soportes de montaje al bastidor con los tornillos suministrados.



### 4.6 Instalar el lavavajillas en el espacio del gabinete

Para evitar rayar el suelo, utilizar una protección para el suelo y tener cuidado al deslizar el lavavajillas dentro del armario.

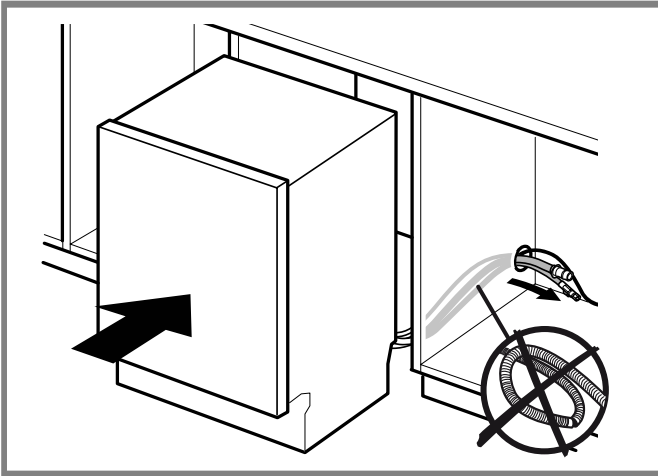
1. Introducir primero el cable de alimentación por el agujero inferior del gabinete y, a continuación, añadir las mangueras.



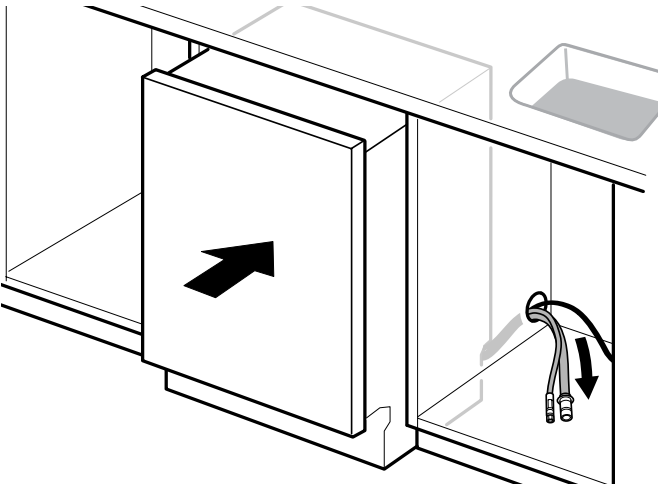
### Montaje en el lateral

El montaje en el lateral se utiliza para encimeras de mármol, granito u otro material de superficie sólida que no sea fácil de taladrar.

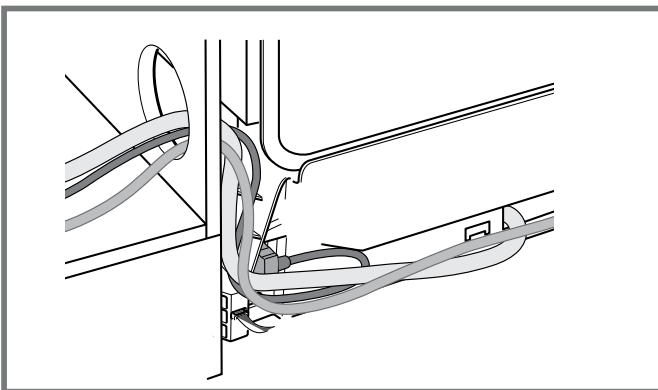
- Utilizando las dos manos, empujar el lavavajillas 1/3 dentro del gabinete y parar.



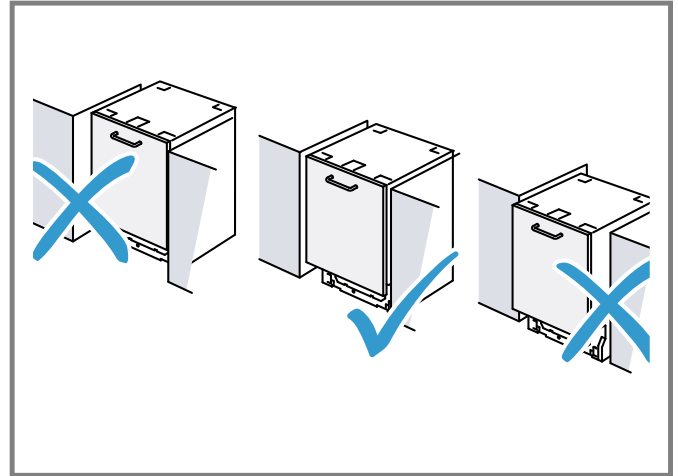
- Pasar las mangueras y el cable de alimentación por el agujero del gabinete como se muestra en la imagen.
- Empujar la unidad 2/3 dentro de la abertura y parar.



- Dentro del gabinete adyacente, tirar de las mangueras y del cable de alimentación sobrante completamente de forma que no se tuerzan.



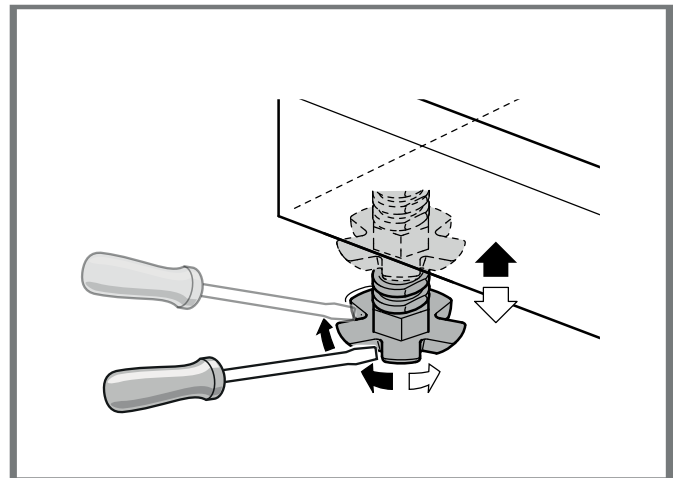
- Finalmente, empujar la unidad hasta que esté a ras con la puerta del gabinete.



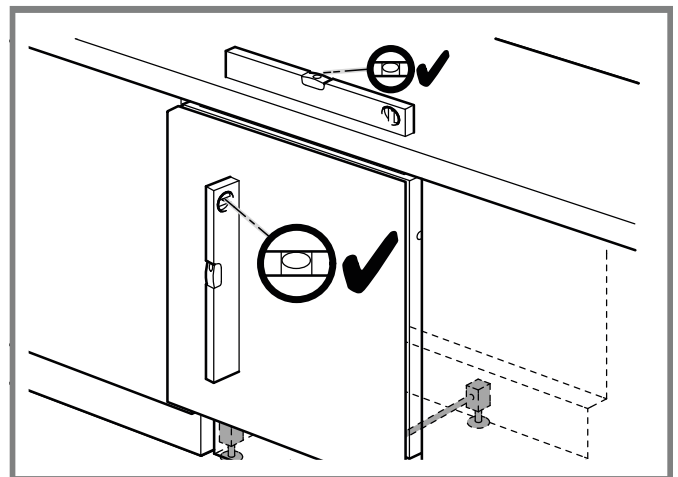
#### 4.7 Nivelar el lavavajillas

Una vez que el lavavajillas está dentro del gabinete, comprobar de nuevo la nivelación.

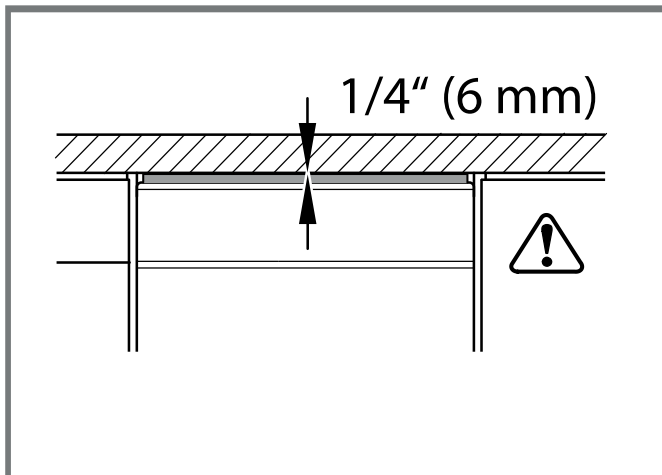
- Nivelarlo de lado a lado girando las patas en sentido horario para levantar o en sentido antihorario para bajar la parte frontal.



- Utilizar un nivel para comprobar si el lavavajillas está nivelado. Comprobar que la encimera esté nivelada y ajustar el lavavajillas a la encimera.

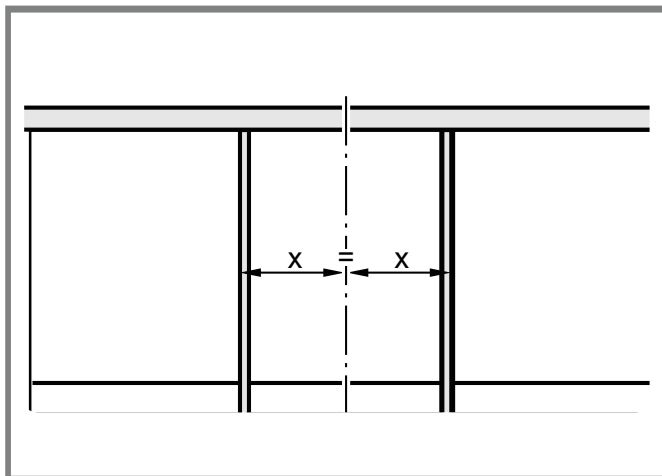


3. Asegurarse de que la parte superior de la puerta no se encuentre a menos de 1/4" (6 mm) de la parte inferior de la encimera.

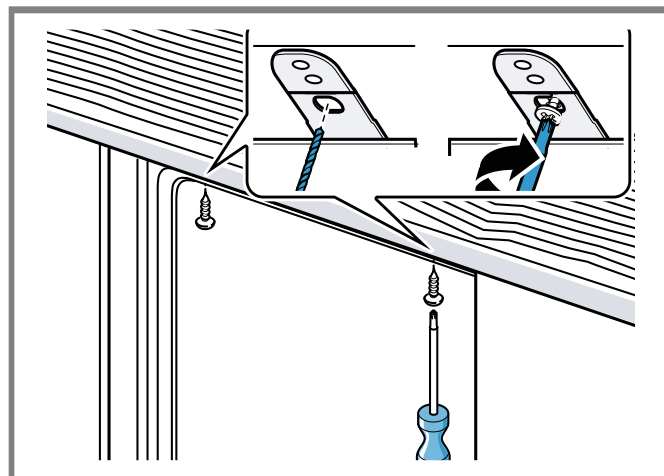


#### 4.8 Fijar el lavavajillas

1. Centrar el lavavajillas en la abertura.

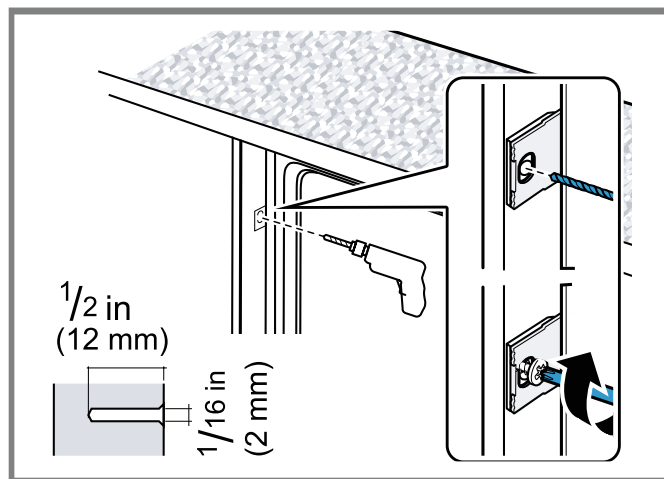


2. Si se utiliza el montaje en la parte superior, atornillar los tornillos del soporte de montaje en los agujeros de los soportes de montaje. Elija el agujero más adecuado para su instalación.



Si el lavavajillas se suministra con una barrera protectora, atornillar a través de la barrera.

3. Para el montaje lateral, levantar la tapa de la moldura decorativa e insertar los tornillos debajo.



## 5 Conexión del lavavajillas

Seguir las instrucciones para conectar el lavavajillas.

### 5.1 Instalar la conexión de entrada de agua

El calentador de agua debería ajustarse para suministrar agua al lavavajillas a aproximadamente 120° F (49° C). El agua demasiado caliente puede hacer que algunos detergentes pierdan eficacia. Temperaturas bajas del

agua alargarán los tiempos de funcionamiento. La presión del suministro de agua caliente debe estar entre 15 - 145 psi (1 - 10 bar).

### ⚠ ADVERTENCIA

Peligro de escaldaduras

- ▶ No realizar ningún trabajo en una línea de agua caliente bajo presión. Podrían producirse lesiones graves. Solo fontaneros cualificados deberían realizar trabajos de fontanería. No trate de realizar ningún trabajo en las tuberías de suministro de agua caliente hasta estar completamente seguro de que el circuito de agua caliente está cerrado.

### AVISO:

Soldar las tuberías

- ▶ Las temperaturas necesarias para la soldadura de tuberías pueden dañar el lavavajillas. Si es necesario soldar las tuberías, mantener la fuente de calor a una distancia de al menos 6 pulgadas (152,4 mm) del lavavajillas.

Normas de fontanería

- ▶ Comprobar las normas de fontanería para procedimientos y accesorios de fontanería aprobados. Todos los trabajos de fontanería deberían realizarse conforme a la normativa local y nacional.

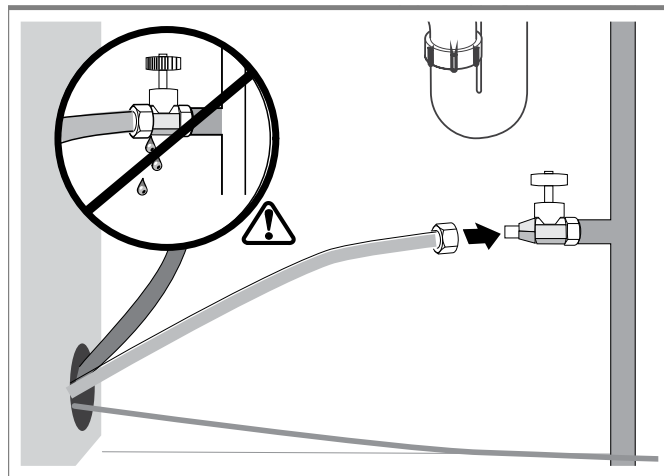
### Nota

Notas importantes acerca del suministro de agua:

- Si se utiliza una junta de soldadura en lugar de un racor mecánico, asegurarse de completar todas las uniones de soldadura antes de conectar la línea de suministro de agua al lavavajillas.
- Utilizar una línea de suministro de agua para el lavavajillas aprobada, con los racores adecuados para esta conexión.
- Si se utiliza una tubería de cobre u otro material no representado en este manual para el suministro de agua, recurrir a un fontanero autorizado para que realice una instalación adecuada.
- Utilizar siempre juntas adecuadas al realizar las conexiones de las tuberías.

1. Dejar pasar agua por la línea de entrada de agua durante aproximadamente 1 minuto para eliminar cualquier material extraño.

2. Conectar la línea de suministro de agua del lavavajillas al grifo de cierre.
  - Instalar un grifo de cierre si no existe ya uno en la línea de suministro.
  - Asegurarse de que no haya curvas ni pliegues en la línea de agua que pudiesen impedir el flujo de agua.



3. Apretar bien todas las conexiones de agua.
4. Una vez realizadas todas las conexiones, encender el agua caliente y comprobar si existen fugas.

## 5.2 Instalar la conexión de desagüe

La manguera de desagüe debe estar instalada con un bucle alto o con una separación para ventilación.

### AVISO:

Instalación adecuada de la manguera de desagüe

- ▶ La manguera de desagüe del lavavajillas debe instalarse con una parte de ella al menos a 33" (84 cm) del suelo; de lo contrario, es posible que el lavavajillas no desagüe correctamente.

Retirar el tapón para eliminación de residuos

- ▶ Si la manguera de desagüe del lavavajillas se va a conectar a una conexión para eliminación, retirar primero el tapón de la conexión para eliminación de residuos.

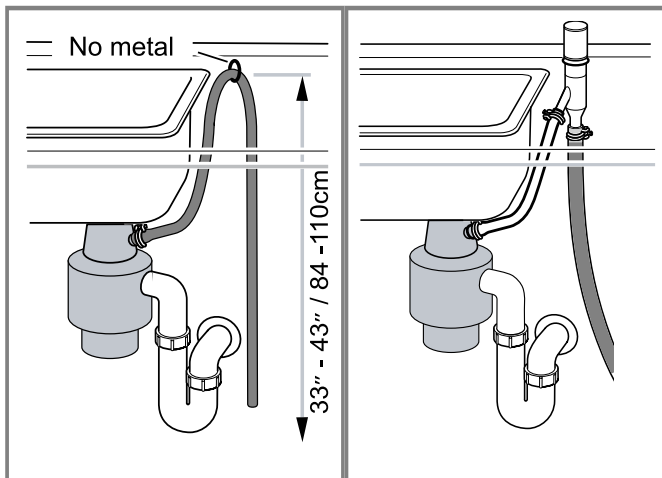
### Nota

Notas importantes acerca de la conexión para el desagüe:

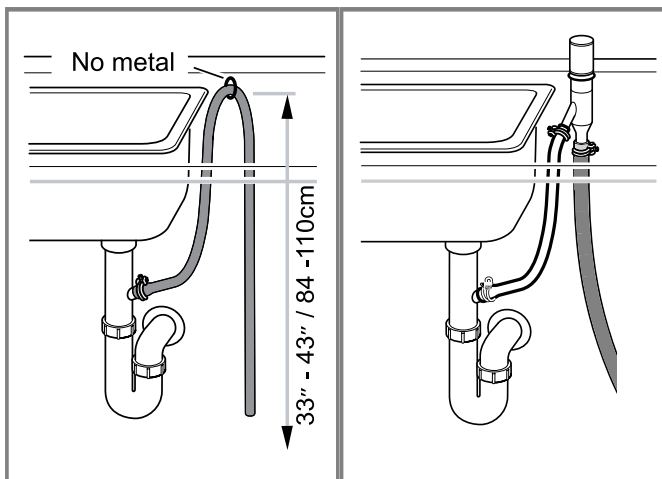
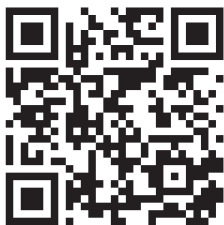
- Si los reglamentos locales exigen una separación para ventilación, instalarla de acuerdo con las instrucciones del fabricante.
- La largura de la manguera de desagüe puede ampliarse en caso necesario. Utilizar el kit #SGZ1010UC. La longitud máxima de la manguera de desagüe, incluida la manguera que va a la separación para ventilación, es de 150" (380 cm).

1. Colocar la abrazadera de la manguera alrededor del extremo de la manguera de desagüe ANTES de conectarla a las tuberías.
2. Si tiene una eliminación de residuos, conecte la manguera de desagüe a la eliminación de residuos con un bucle alto o una separación para ventilación.

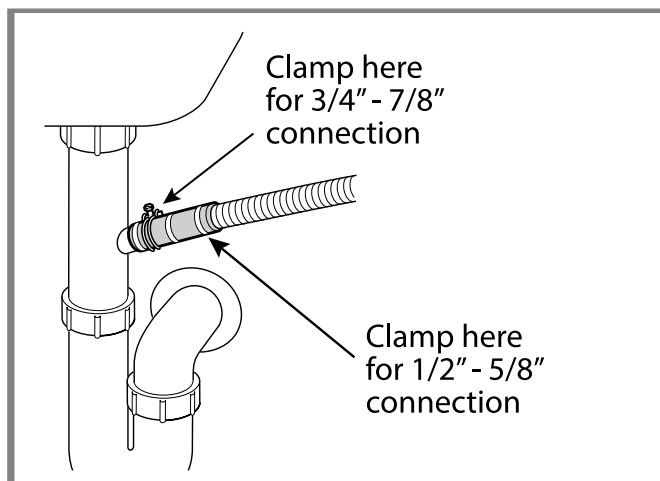




3. Si no tiene una eliminación de residuos, conecte la manguera de desagüe a la conexión de desagüe con un bucle alto o una separación para ventilación.



4. Apriete la abrazadera de la manguera alrededor de las tuberías domésticas.

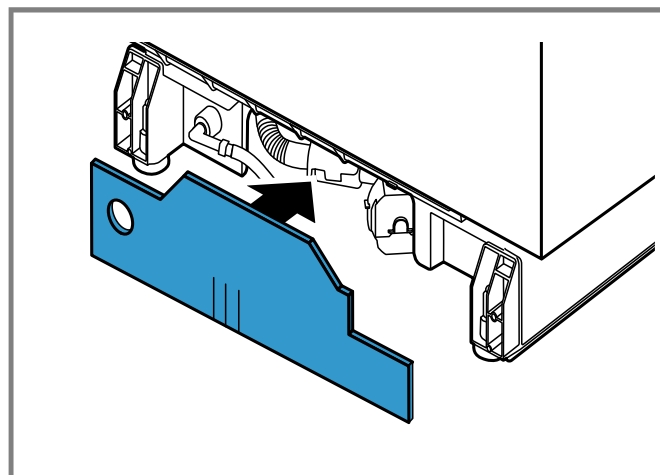


### 5.3 Conexión eléctrica y ciclo de prueba

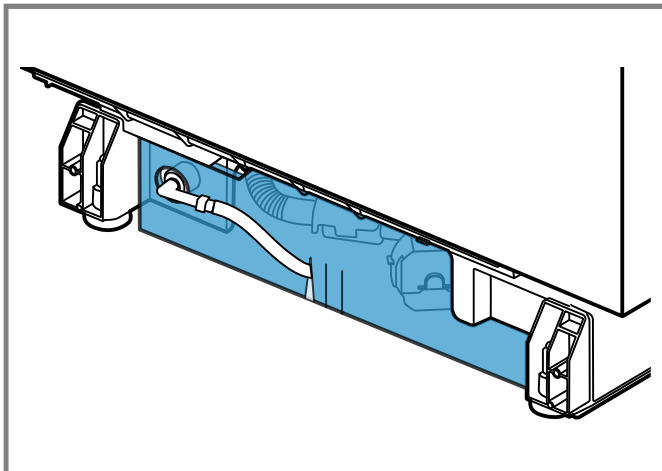
1. Para todas las conexiones de toma de corriente en pared, conecte el lavavajillas a la toma de corriente.
2. Encienda el suministro eléctrico.
3. Asegúrese de que el suministro de agua esté encendido.
4. Encienda el lavavajillas y realice un ciclo de prueba durante 15 minutos.
5. Asegúrese de que el ciclo esté en marcha y no haya fugas durante el funcionamiento.
6. Detenga el ciclo y apague el lavavajillas.

### 5.4 Acoplar la placa protectora del zócalo

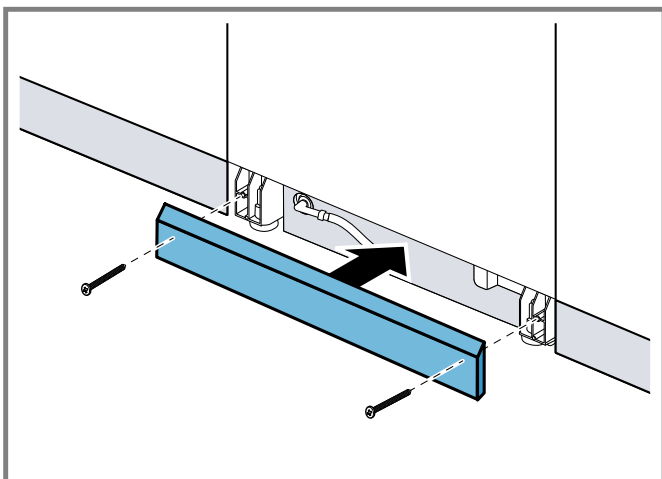
1. Retirar el vellón de la placa protectora del zócalo del embalaje e insertarlo en la base en la parte frontal del lavavajillas.



2. Meter la parte superior del vellón en la abertura frontal de la base. En caso necesario, doblar el extremo inferior debajo para que encaje mejor.



3. Acoplar la placa protectora del zócalo con los tornillos de 3/4" de forma que esté a ras con el suelo. Utilizar tornillos negros para la placa protectora del zócalo negra y tornillos inoxidable para la placa protectora del zócalo blanca.



4. ¡La instalación se ha completado!

## 6 Servicio de atención al cliente

En cada reparación cubierta por la garantía, nos aseguramos de que su aparato sea reparado con repuestos originales por un proveedor de servicio capacitado y autorizado. Solo utilizamos repuestos originales para todos los tipos de reparaciones. Las informaciones detalladas sobre el periodo de validez de la garantía y las condiciones de garantía las podrá encontrar en nuestras condiciones de garantía, con su distribuido o en nuestra página web.

Cuando se ponga en contacto con el servicio de atención al cliente, no olvide indicar el número de modelo (E-Nr.) y el número de fabricación (FD) de su aparato.

USA:

1-800-944-2904

[www.bosch-home.com/us/owner-support/get-support](http://www.bosch-home.com/us/owner-support/get-support)

[www.bosch-home.com/us/shop](http://www.bosch-home.com/us/shop)

CA:

1-800-944-2904

[www.bosch-home.ca/en/service/get-support](http://www.bosch-home.ca/en/service/get-support)

[www.bosch-home.ca/en/service/cleaners-and-accessories](http://www.bosch-home.ca/en/service/cleaners-and-accessories)

Aquí podrá encontrar ayuda para la conexión con

Home Connect:

[www.home-connect.com/us/en/help-support/set-up](http://www.home-connect.com/us/en/help-support/set-up)

### 6.1 Número de modelo (E-Nr.) y número de fabricación (FD)

El número de modelo (E-Nr.) y el número de fabricación (FD) se encuentran en la placa de características del aparato.

La placa de características se encuentra en la parte interior de la puerta del aparato.

Para volver a encontrar rápidamente los datos del aparato o el número de teléfono del servicio de atención al cliente, puede anotar dichos datos.





## Register your appliance to enjoy customized benefits.

Thank you for being a Bosch customer!  
Simply create a MyBosch account, then register your appliance.  
You'll find a variety of customized information in MyBosch such as:

- **Discounts for filters, cleaners, accessories & parts**
- **Easy access to manuals & appliance specifications**
- **Easy access to part lists**
- **Customized offer for the Bosch Appliance Service Plan (sent by mail after appliance registration)**

Register here:  
[www.bosch-home.com/us/owner-support/mybosch](http://www.bosch-home.com/us/owner-support/mybosch)

**BOSCH**  
HOME APPLIANCES  
**SERVICE**

## Looking for help? You'll find it here.

No matter what, no matter when: Bosch is here to support you.  
We're here to assist with usage instructions, cleaning tips,  
accessories & parts, troubleshooting, and repairs.  
Find online resources such as FAQs, how-to-videos, manuals,  
warranties and authorized Bosch servicers at:  
[www.bosch-home.com/us/owner-support/get-support](http://www.bosch-home.com/us/owner-support/get-support)

Contact us:  
**Please have your Model Number (E-Nr) ready when contacting us.**  
1-800-944-2904  
[www.bosch-home.com/us/owner-support/contact-us](http://www.bosch-home.com/us/owner-support/contact-us)

**BSH Home Appliances Corporation**  
1901 Main Street, Suite 600  
Irvine, CA 92614  
USA  
[www.bosch-home.com](http://www.bosch-home.com)  
1-800-944-2904  
© 2023 BSH Home Appliances Corporation



**9001781089** (030502) 650B US  
en-us, fr-ca, es-mx