

Dishwashers

24" Recessed Handle Dishwasher 800 Series- Stainless steel SHE68T55UC



The new 3rd rack now offers 30% more loading area. Perfect for ramekins, cooking utensils and extra-long silverware.

- **44 dBA:** Quietest dishwasher brand.
- New 3rd rack adds versatility and offers 30% more loading capacity.
- Touch Control Technology allows for quick cycle programming.
- RackMatic® offers 3 height levels, for 9 possible rack positions.
- 16 Place Setting Capacity
- **44 dBA:** Quietest dishwasher brand.

Technical Data

Adjustable upper rack :	Rackmatic 3-stage
Upper rack cup shelf :	2
3rd Rack :	3rd Rack 1.0
Silverware Basket :	Standard
Accessories Parts :	3 small item clips, bottle holder metal
Optional accessories :	SGZ1010UC, SMZ4000UC, SMZ5000, SMZ5002UC, SMZPC002UC
UPC code :	825225904908
Variant color :	Stainless steel
Panel ready :	No
Alternative colors available :	SHE68T52UC, SHE68T56UC
Silence level (dBA) :	44
Watts (W) :	1300
Current (A) :	12
Volts (V) :	120
Frequency (Hz) :	60
Energy Consumption (kWh/yr) :	259
Energy Star® qualified :	Yes
Plug type :	fixed connection
Required cutout size (HxWxD) (in) :	33 7/8 " x 23 5/8 " x 24 "
Required cutout size (HxWxD) (mm) :	860-890 x 600 x 610
Overall appliance dimensions (HxWxD) (in) :	33 7/8 " x 23 9/16 " x 23 3/4 "
Power cord length (in) :	43 1/2"
Power cord length (cm) :	110
Length outlet hose (in) :	67 "
Length outlet hose (cm) :	175.0
Length inlet hose (in) :	53"
Length inlet hose (cm) :	135
Product packaging dimensions (HxWxD) (in) :	35 3/4" x 26" x 29 5/16"
Tub material :	Stainless steel
Tub type :	TallTub
ADA Compliant :	No
Number of place settings :	15

Optional accessories

- SGZ1010UC : Drain hose extension kit
- SMZ4000UC : silverware basket US Duo
- SMZ5000 : Dishwashing aid set
- SMZ5002UC : Silverware box
- SMZPC002UC : Powercord with cold plug

Dishwashers

24" Recessed Handle Dishwasher 800 Series- Stainless steel SHE68T55UC

The new 3rd rack now offers 30% more loading area. Perfect for ramekins, cooking utensils and extra-long silverware.

Key Features

- 3rd Rack for Additional Loading Capacity
- Touch Control Technology
- AquaStop® Leak Protection Works 24/7
- RackMatic® on Upper Rack - 3 Height Adjustments and Up to 9 Possible Rack Positions

Design

- Full Size Stainless Steel Tall Tub Installs Perfectly Flush
- 3rd Rack for Additional Loading Capacity
- 16 Place Setting Capacity
- LED Remaining Time Display
- Touch Control Technology
- RackMatic® on Upper Rack - 3 Height Adjustments and Up to 9 Possible Rack Positions

Performance

- 6 Programs and 5 Options
- Detergent Tray Optimizes Detergent Dissolving
- Load Size Sensor Automates Wash Temperature
- Sanitize Option Eliminates Bacteria and Enhances Drying Results

Efficiency

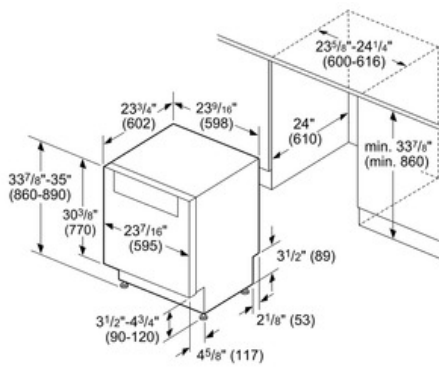
- 259 kwh/yr - Energy Star®
- Eco Cycle Saves Energy
- Half Load Option for Small Loads

Convenience

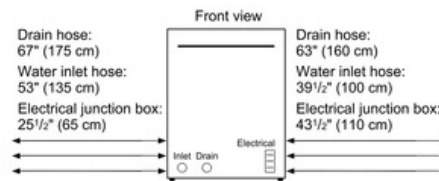
- 24 H Delay Start Timer
- AquaStop® Leak Protection Works 24/7
- Self-Latching Door
- Express Wash - In 30 Minutes or Less

Dishwashers

24" Recessed Handle Dishwasher 800 Series- Stainless steel SHE68T55UC



measurements in inches (mm)



All connections are at the rear of the appliance.
Extension for drain hose available as accessory.
Power cord for connection to electrical outlet (3-prong plug) available as accessory.