

Dishwashers

24" Recessed Handle Dishwasher Benchmark Series- Stainless steel SHE8PT55UC



Expandable wings on our flexible 3rd rack provide extra height to fit ramekins, measuring cups and extra-large utensils.

- **40 dBA:** Quietest dishwasher brand.
- A flexible 3rd rack with folding tines adds 30% more loading capacity.
- The full-color TFT display is easy to read and easy to navigate.
- A clean white light illuminates the interior when the door is open.
- Water softener ensures optimally spot-free and shiny dishes.
- **40 dBA:** Quietest dishwasher brand.

Technical Data

| | |
|---|---|
| Adjustable upper rack : | Rackmatic 3-stage |
| Upper rack cup shelf : | 2 |
| 3rd Rack : | 3rd Rack 2.0 |
| Silverware Basket : | Standard |
| Accessories Parts : | 3 small item clips, baking-sheet spray head grey, bottle holder metal |
| Optional accessories : | SGZ1010UC, SGZ9091UC, SMZ5000, SMZ5002UC, SMZPC002UC |
| UPC code : | 825225904267 |
| Variant color : | Stainless steel |
| Panel ready : | No |
| Silence level (dBA) : | 40 |
| Watts (W) : | 1300 |
| Current (A) : | 12 |
| Volts (V) : | 120 |
| Frequency (Hz) : | 60 |
| Energy Consumption (kWh/yr) : | 259 |
| Energy Star® qualified : | Yes |
| Plug type : | fixed connection |
| Required cutout size (HxWxD) (in) : | 33 7/8 " x 23 5/8 " x 24 " |
| Required cutout size (HxWxD) (mm) : | 860-890 x 600 x 610 |
| Overall appliance dimensions (HxWxD) (in) : | 33 7/8 " x 23 9/16 " x 23 7/8 " |
| Power cord length (in) : | 43 1/2" |
| Power cord length (cm) : | 110 |
| Length outlet hose (in) : | 67 " |
| Length outlet hose (cm) : | 175.0 |
| Length inlet hose (in) : | 53" |
| Length inlet hose (cm) : | 135 |
| Product packaging dimensions (HxWxD) (in) : | 35 3/4" x 26" x 29 5/16" |
| Tub material : | Stainless steel |
| Tub type : | TallTub |
| ADA Compliant : | No |
| Number of place settings : | 15 |

Optional accessories

- SGZ1010UC : Drain hose extension kit
- SGZ9091UC : finish salt for dishwashers
- SMZ5000 : Dishwashing aid set
- SMZ5002UC : Silverware box
- SMZPC002UC : Powercord with cold plug

Dishwashers

24" Recessed Handle Dishwasher Benchmark Series- Stainless steel SHE8PT55UC

Expandable wings on our flexible 3rd rack provide extra height to fit ramekins, measuring cups and extra-large utensils.

Key Features

- Flexible 3rd Rack with Adjustable Separators Provides Additional Loading Capacity
- TFT - Full-Color Clear Text Display
- SteelTouch™ Control Panel
- White Light Illuminates the Interior when the Dishwasher is Open
- Water Softener Ensures Perfect Shine

Design

- Full Size Stainless Steel Tall Tub Installs Perfectly Flush
- Flexible 3rd Rack with Adjustable Separators Provides Additional Loading Capacity
- 16 Place Setting Capacity
- TFT - Full-Color Clear Text Display
- SteelTouch™ Control Panel
- RackMatic® on Upper Rack - 3 Height Adjustments and Up to 9 Possible Rack Positions
- Flexible Silverware Basket Can be Split into Two Pieces and Placed Anywhere for Added Flexibility
- Extra Tall Item Sprinkler Cleans Items 22" Tall

Performance

- 6 Programs and 5 Options
- Detergent Tray Optimizes Detergent Dissolving
- Load Size Sensor Automates Wash Temperature
- Water Softener Ensures Perfect Shine
- Sanitize Option Eliminates Bacteria and Enhances Drying Results

Efficiency

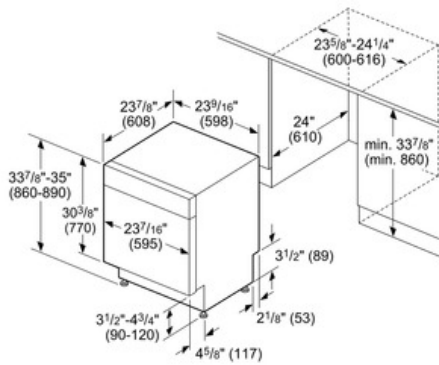
- 259 kwh/yr - Energy Star®
- Half Load Option for Small Loads

Convenience

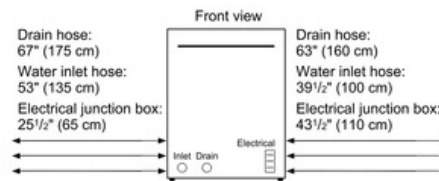
- White Light Illuminates the Interior when the Dishwasher is Open
- 24 H Delay Start Timer
- AquaStop® Leak Protection Works 24/7
- Self-Latching Door
- Express Wash - In 30 Minutes or Less
- SpeedPerfect™ Option Reduces Cycle Time while Maintaining Cleaning Performance

Dishwashers

24" Recessed Handle Dishwasher Benchmark Series- Stainless steel SHE8PT55UC



measurements in inches (mm)



Drain hose:
67" (175 cm)

Water inlet hose:
53" (135 cm)

Electrical junction box:
25 $\frac{1}{2}$ " (65 cm)

Drain hose:
63" (160 cm)

Water inlet hose:
39 $\frac{1}{2}$ " (100 cm)

Electrical junction box:
43 $\frac{1}{2}$ " (110 cm)

All connections are at the rear of the appliance.
Extension for drain hose available as accessory.
Power cord for connection to electrical outlet (3-prong plug)
available as accessory.