

24" Recessed Handle Dishwasher

100 Series – White SHEM3AY52N



BOSCH
Invented for life



SHEM3AY52N
White

Also available in:

Stainless Steel SHEM3AY55N

Black SHEM3AY56N

Bosch Dishwashers are engineered to the highest standards, passing 485 stringent quality checks resulting in exceptional workmanship and reliable performance.

Features & Benefits

50 dBA: Quietest dishwasher brand in North America.*

Utility Rack – A place for those "hard to place" items while providing safe and effective cleaning."

Stainless steel tall tub with polypropylene bottom delivers durability.

24/7 Overflow Protection System® helps prevent water leaks, even when your dishwasher is off.

General Properties

Number of wash cycles	6
Number of options	2
dBA	50
Third rack	Yes (Utility rack)
Rack adjustability	Manual
Tub material	Stainless steel/ polypropylene
Control type	Buttons
Concealed heating element	Yes
Leak protection system	24/7 Overflow Protection
Water softener	No
Five-level wash	Yes
ChildLock	Yes
Special features	Utility rack

Efficiency

Water usage per cycle	3.2
Energy efficiency class	Tier 1
ENERGY STAR® qualified	Yes
Total annual energy consumption (kWh)	269
Total annual water consumption (g)	688

Capacity

Number of place settings	14
--------------------------	----

Technical Details

Watts (W)	1440 W
Current (A)	12 Amps
Volts (V)	120 V
Frequency (Hz)	60 Hz
Power cord length	N/A
Minimum water pressure (lb/sin)	15
Length outlet hose (in)	90 1/2"

Dimensions & Weight

Overall appliance dimensions (HxD) (in)	33 7/8" x 23 9/16" x 22 9/16"
Required cutout size (HxD) (in)	33 7/8" x 24" x 24"
Adjustable feet	Yes
Net weight (lbs)	76 lbs

Accessories—Optional

Dishwasher Drain Hose Extension 76 3/4"	SGZ1010UC
Dishwasher 3-Prong Power Cord 55 1/4"	SGZPC001UC
Dishwasher Accessory Kit	SGZ1052UC
DoubleFlex Silverware Basket	SMZ4000UC



*Based on an average of sound ratings of 24" Full Size Stainless Steel Tub dishwashers contained in major brands US & Canadian websites. Major brands defined as TraQline Top 5 Market Share (US & Canada) December 2017.

Accessories: To purchase Bosch accessories, cleaners & parts please visit www.bosch-home.com/us/store or call 1-800-944-2904 (Mon to Fri 5 am to 6 pm PST, Sat 6 am to 3 pm PST).

Notes: All height, width and depth dimensions are shown in inches. BSH reserves the absolute and unrestricted right to change product materials and specifications, at any time, without notice. Consult the product's installation instructions for final dimensional data and other details prior to making cutout.

Warranties: Please see Use & Care manual or Bosch website for statement of limited warranty.

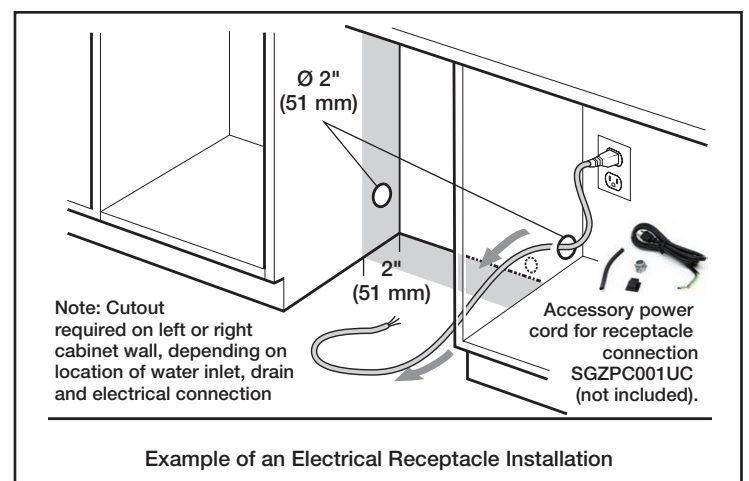
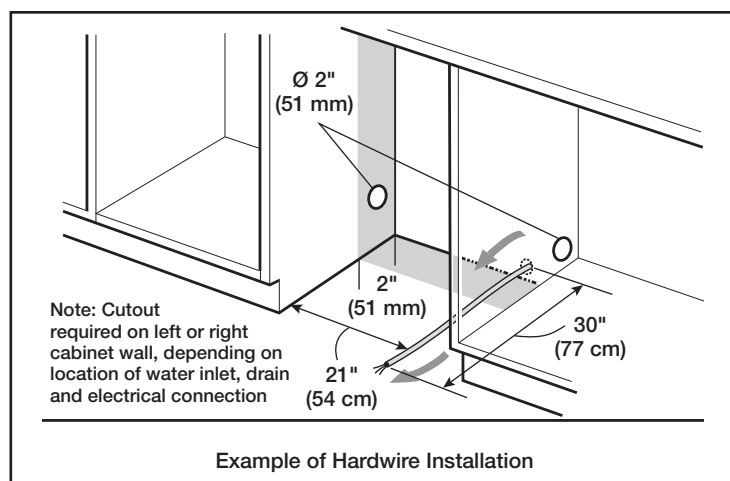
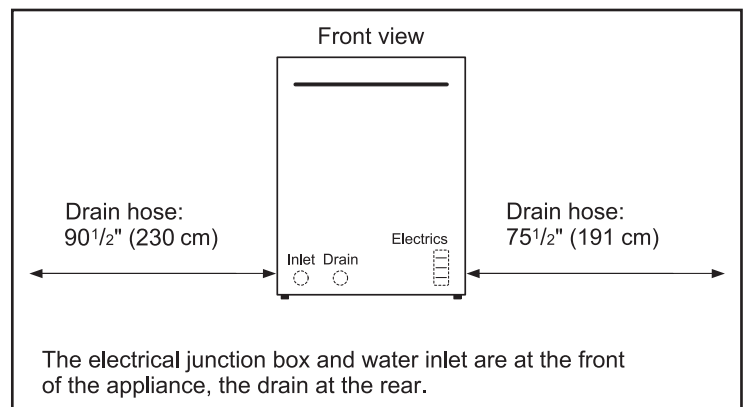
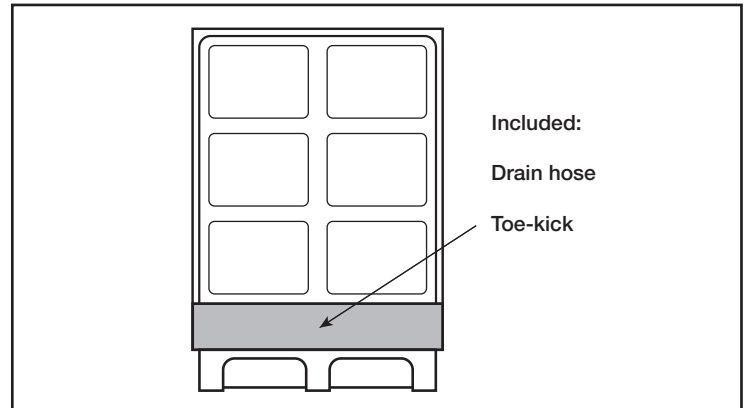
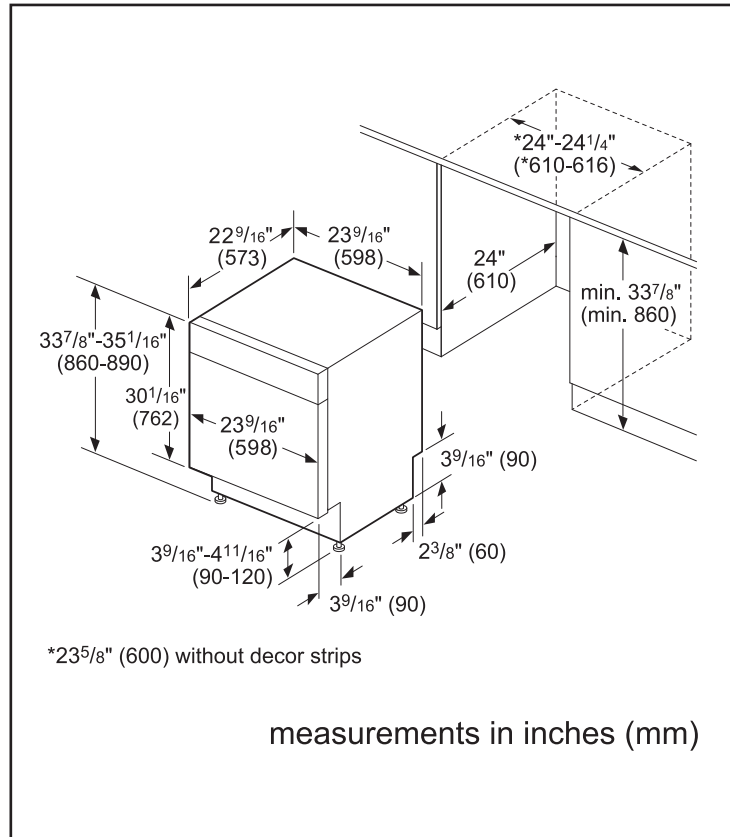
For more information on our entire line of products, go to www.bosch-home.com/us or call 1-800-944-2904

© BSH Home Appliances Corporation. All rights reserved. Bosch is a registered trademark of Robert Bosch GmbH.

24" Recessed Handle Dishwasher

100 Series – Stainless Steel SHEM3AY52N

Installation Details



Accessories: To purchase Bosch accessories, cleaners & parts please visit www.bosch-home.com/us/store or call 1-800-944-2904 (Mon to Fri 5 am to 6 pm PST, Sat 6 am to 3 pm PST).

Notes: All height, width and depth dimensions are shown in inches. BSH reserves the absolute and unrestricted right to change product materials and specifications, at any time, without notice. Consult the product's installation instructions for final dimensional data and other details prior to making cutout.

Warranties: Please see Use & Care manual or Bosch website for statement of limited warranty.

For more information on our entire line of products, go to www.bosch-home.com/us or call 1-800-944-2904

© BSH Home Appliances Corporation. All rights reserved. Bosch is a registered trademark of Robert Bosch GmbH.

24" Recessed Handle Dishwasher

100 Series – Stainless Steel SHEM3AY52N

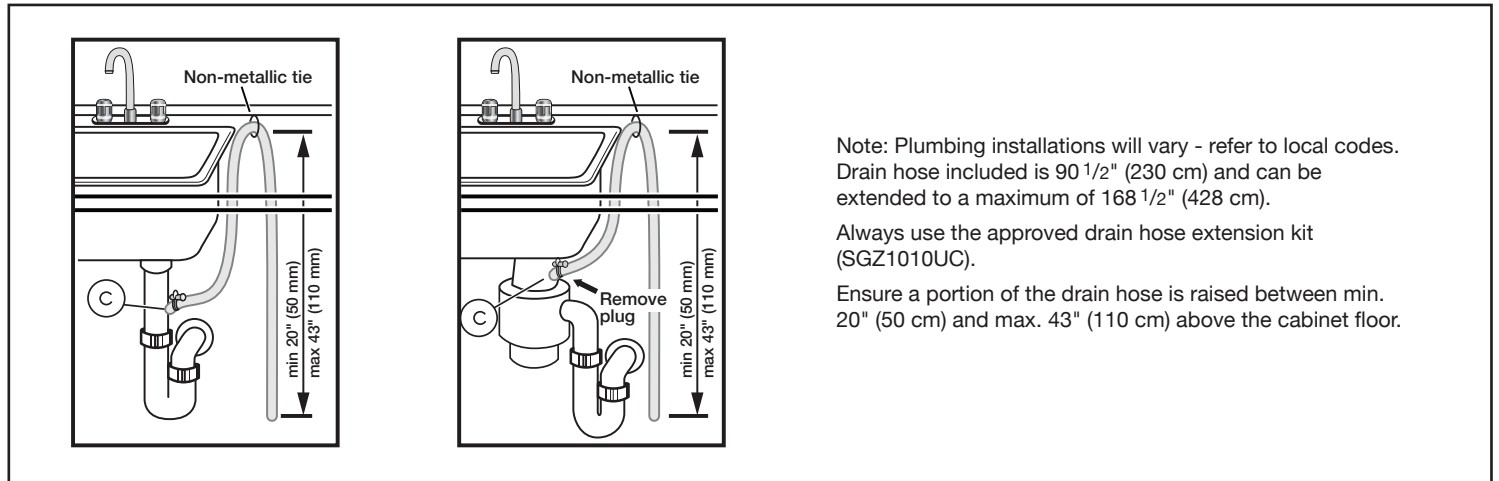


BOSCH

Invented for life



Installation Details



Note: Plumbing installations will vary - refer to local codes. Drain hose included is 90 1/2" (230 cm) and can be extended to a maximum of 168 1/2" (428 cm).

Always use the approved drain hose extension kit (SGZ1010UC).

Ensure a portion of the drain hose is raised between min. 20" (50 cm) and max. 43" (110 cm) above the cabinet floor.

Accessories: To purchase Bosch accessories, cleaners & parts please visit www.bosch-home.com/us/store or call 1-800-944-2904 (Mon to Fri 5 am to 6 pm PST, Sat 6 am to 3 pm PST).

Notes: All height, width and depth dimensions are shown in inches. BSH reserves the absolute and unrestricted right to change product materials and specifications, at any time, without notice. Consult the product's installation instructions for final dimensional data and other details prior to making cutout.

Warranties: Please see Use & Care manual or Bosch website for statement of limited warranty.

For more information on our entire line of products, go to www.bosch-home.com/us or call 1-800-944-2904

© BSH Home Appliances Corporation. All rights reserved. Bosch is a registered trademark of Robert Bosch GmbH.

07/18