

# 24" Recessed Handle Dishwasher

300 Series – Stainless Steel SHEM53Z25C



**BOSCH**  
Invented for life



**SHEM53Z25C**  
Stainless Steel

Also available in:

White SHEM53Z22C

**With PrecisionWash™, intelligent sensors and precision spray arms target every item of every load, so dishes come out sparkling clean every time.**

## Features & Benefits

46 dBA: dishwasher runs quietly so your kitchen conversations aren't interrupted.

The AquaStop Plus® premium leak protection system contains leaks through a precisely engineered tub and dual sensor system.

Fingerprint Resistant – providing the ultimate exterior protection against fingerprints, dirt, and smudges.

## General Properties

Number of wash cycles	4
Number of options	3
dBA	46
Third rack	n/a
Rack adjustability	Rackmatic®
Tub material	Stainless Steel
Control type	Buttons
Concealed water heating element	Yes
Leak protection system	24/7 AquaStop® Plus
Water softener	No
Five-level wash	Yes
ChildLock	Yes
Special features	Extra Dry Option, Anti-fingerprint Finish

## Efficiency

Water usage per cycle	3.5
Energy efficiency class	Tier 1
ENERGY STAR® qualified	Yes
Total annual energy consumption (kWh)	269
Total annual water consumption (g)	623.5

## Capacity

Number of place settings	14
--------------------------	----

## Technical Details

Watts (W)	1440 W
Current (A)	12 Amps
Volts (V)	120 V
Frequency (Hz)	60 Hz
Power cord length - Install length from corner of unit	67" 45"
Minimum water pressure (lb/sin)	14
Length outlet hose (in)	74 3/4"

## Dimensions & Weight

Overall appliance dimensions (HxWxD) (in)	34 1/16" x 23 9/16" x 22 9/16"
Required cutout size (HxWxD) (in)	34 1/8" x 24" x 24"
Adjustable feet	Yes
Net weight (lbs)	86 lbs

## Accessories—Optional

Junction Box	SMZPCJB1UC
Drain Hose Extension Kit	SGZ1010UC
Silverware Basket US Duo	SMZ4000UC
Dishwasher Accessory Kit	SMZ5000
Edge Protector	SMZEP001UC



**Accessories:** To purchase Bosch accessories, cleaners & parts please call 1-800-944-2904 (Mon to Fri 5 am to 6 pm PST, Sat 6 am to 3 pm PST).

**Notes:** All height, width and depth dimensions are shown in inches. BSH reserves the absolute and unrestricted right to change product materials and specifications, at any time, without notice. Consult the product's installation instructions for final dimensional data and other details prior to making cutout.

**Warranties:** Please see Use & Care manual or Bosch website for statement of limited warranty.

**For more information on our entire line of products, go to [www.bosch-home.ca](http://www.bosch-home.ca) or call 1-800-944-2904**

© BSH Home Appliances Corporation. All rights reserved. Bosch is a registered trademark of Robert Bosch GmbH.

# 24" Recessed Handle Dishwasher

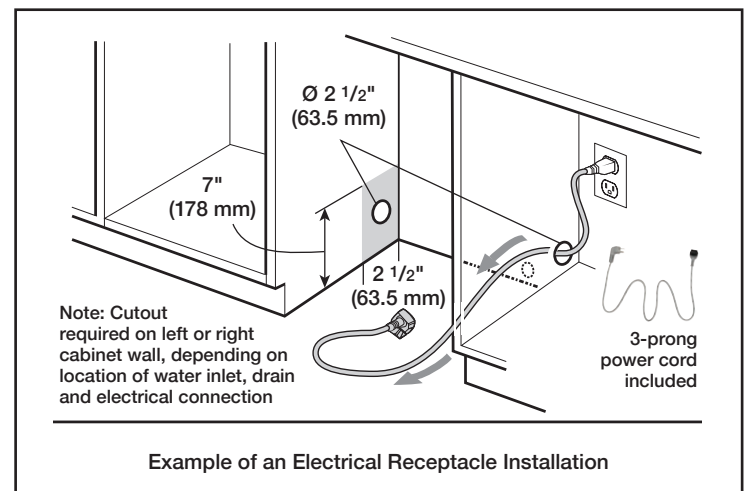
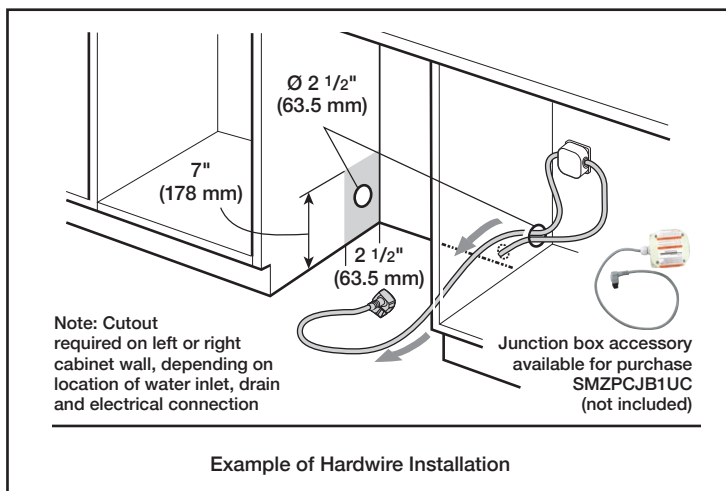
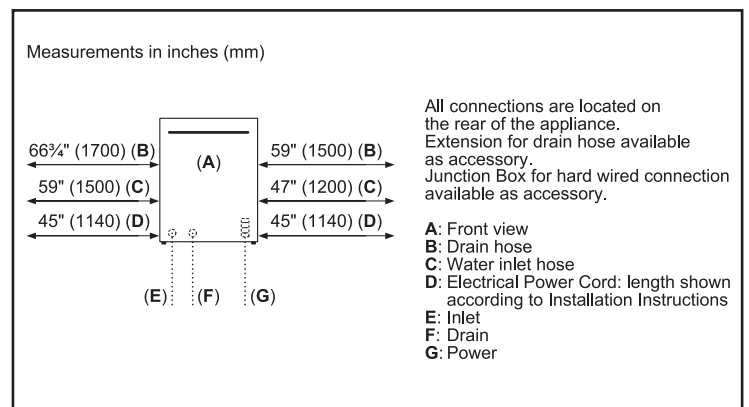
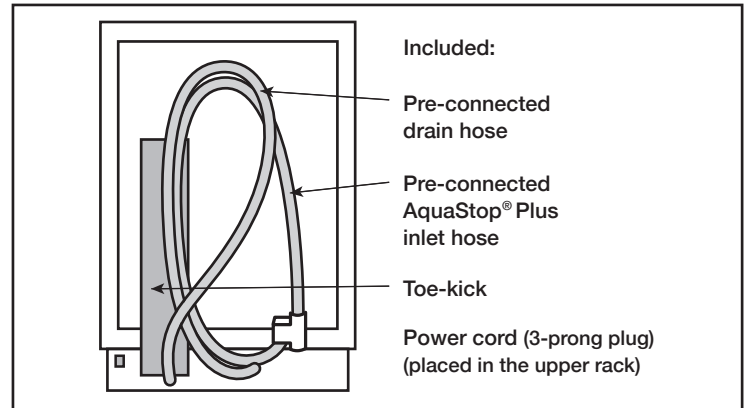
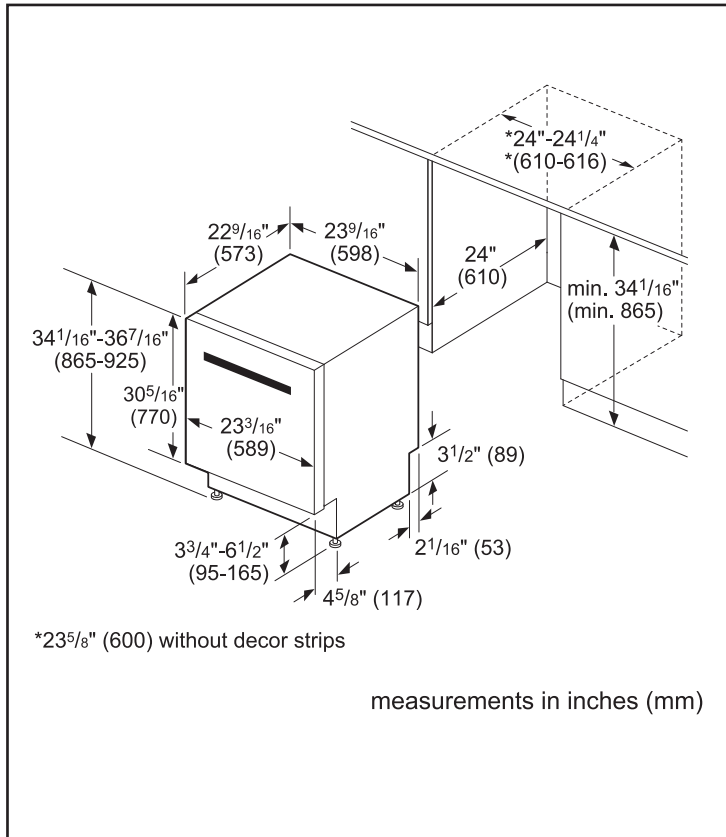
300 Series – Stainless Steel SHEM53Z25C



**BOSCH**

Invented for life

## Installation Details



**Accessories:** To purchase Bosch accessories, cleaners & parts please call 1-800-944-2904 (Mon to Fri 5 am to 6 pm PST, Sat 6 am to 3 pm PST).

**Notes:** All height, width and depth dimensions are shown in inches. BSH reserves the absolute and unrestricted right to change product materials and specifications, at any time, without notice. Consult the product's installation instructions for final dimensional data and other details prior to making cutout.

**Warranties:** Please see Use & Care manual or Bosch website for statement of limited warranty.

**For more information on our entire line of products, go to [www.bosch-home.ca](http://www.bosch-home.ca) or call 1-800-944-2904**

© BSH Home Appliances Corporation. All rights reserved. Bosch is a registered trademark of Robert Bosch GmbH.

08/19 CA

# 24" Recessed Handle Dishwasher

300 Series – Stainless Steel SHEM53Z25C

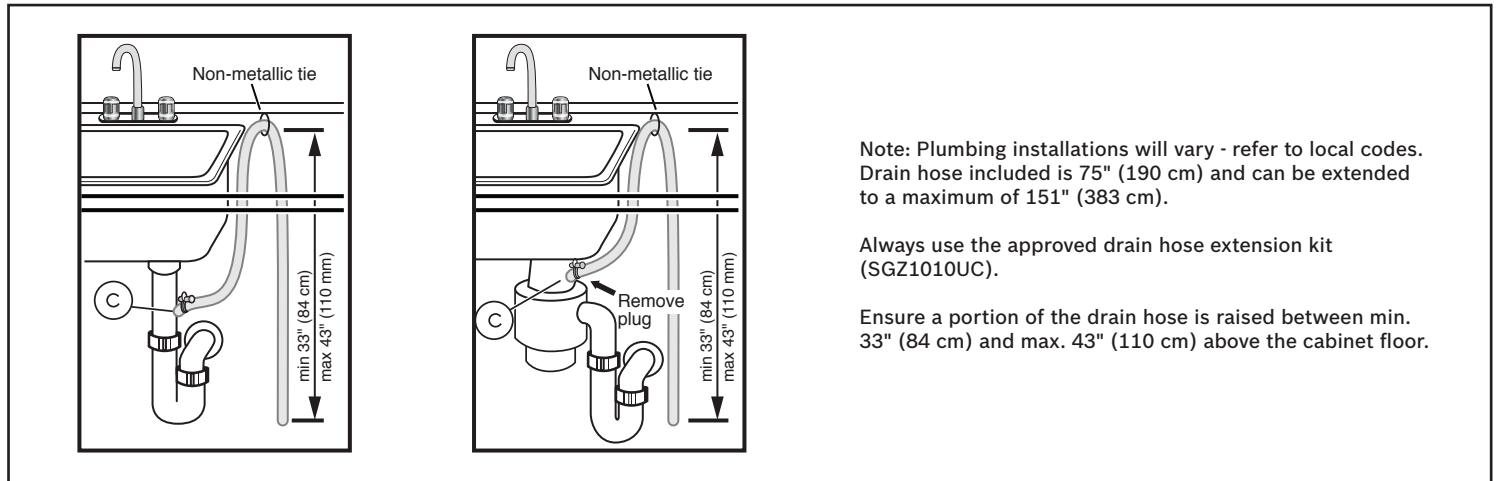


**BOSCH**

Invented for life



## Installation Details



**Accessories:** To purchase Bosch accessories, cleaners & parts please call 1-800-944-2904 (Mon to Fri 5 am to 6 pm PST, Sat 6 am to 3 pm PST).

**Notes:** All height, width and depth dimensions are shown in inches. BSH reserves the absolute and unrestricted right to change product materials and specifications, at any time, without notice. Consult the product's installation instructions for final dimensional data and other details prior to making cutout.

**Warranties:** Please see Use & Care manual or Bosch website for statement of limited warranty.

**For more information on our entire line of products, go to [www.bosch-home.ca](http://www.bosch-home.ca) or call 1-800-944-2904**

© BSH Home Appliances Corporation. All rights reserved. Bosch is a registered trademark of Robert Bosch GmbH.

08/19 CA