

# 24" Bar Handle Dishwasher

## 800 Series- Stainless steel

### SHX98M09UC



#### Features and Benefits

##### Key Features

- 42 dBA- Quietest in its class
- Saves up to 290 gallons of water each year
- Red Colored Full Text Display
- Load Size Sensor Automates Wash Temperature
- Rinse Cycle- Instead of PreRinsing

##### Design

- Stainless Steel Tall Tub
- Real Stainless Steel Fascia Panel
- Red Colored Full Text Display

##### Performance

- 42 dBA- Quietest in its class
- 4 Wash Cycles and 2 Options
- Sanitize Option eliminates bacteria and enhances drying results
- Variable Spray Pressure
- Load Size Sensor Automates Wash Temperature

##### Efficiency

- Saves up to 290 gallons of water each year
- 190 kwh/yr - Energy Star®
- Exceeds ENERGY STAR Requirements for Water by 72%
- EcoSense™ Reduces Energy Usage by up to 20%

##### Convenience

- AquaStop® Leak Protection
- Multi-Function LED with Remaining Time



Notes: All height, width and depth dimensions are shown in inches. \*Please refer to installation instructions prior to making cutout. BSH reserves the absolute and unrestricted right to change product materials and specifications, at any time, without notice. Consult the product's installation instructions for final dimensional data and other details. Applicable product warranty can be found in a accompanying product literature or you may contact your account manager for further details.

For more information on our entire line of products, go to [boschappliances.com](http://boschappliances.com) or call 1-800-944-2904.  
Copyright ©2013 BSH Home Appliances Corporation. All rights reserved. Bosch is a registered trademark of Robert Bosch GmbH.

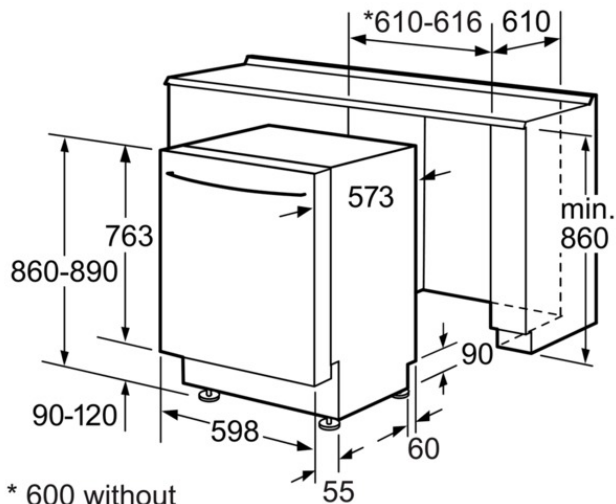
Litho Date: 04/2013



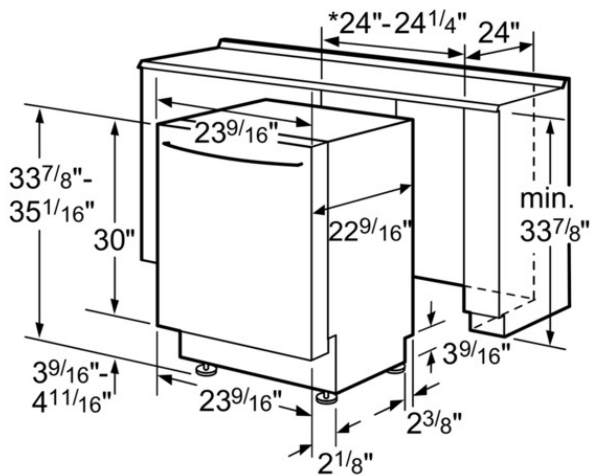
# 24" Bar Handle Dishwasher

## 800 Series- Stainless steel

### SHX98M09UC



\* 600 without decorative strips  
Measurements in mm



\* 23 5/8" without decorative strip  
measurements in inches

### Features

Leak Protection System	Aqua Stop
ChildLock	No
Water softener	No
Upper Rack	800
Adjustable upper rack	Rackmatic 3-stage
Upper rack cup shelf	3
Lower Rack	800
Lower rack cup shelf	
3rd Rack	no
Silverware basket	Standard
Optional accessories	SGZ1000UC, SGZ1010UC, SGZ1051, SGZ2004UC, SGZ3003, SGZPC001UC

### Technical Specification

UPC code	825225848011
Panel ready	No
Alternative colors available	SHX98M05UC
Silence level (dBA)	42
Watts (W)	1400
Current (A)	12
Volts (V)	120
Frequency (Hz)	60
Energy Consumption (kWh/yr)	190
Energy Star® qualified	Yes
NSF certified	Yes
Plug type	Fixed connection
Power cord length (in)	
Length outlet hose (in)	90 1/2
Length inlet hose (in)	
Required cutout size (HxWxD) (in)	33 7/8" x 24" x 24"
Product packaging dimensions (HxWxD) (in)	35 7/8" x 26 7/8" x 26"
Net weight (lbs)	100
Gross weight (lbs)	111
Adjustable feet	Yes
Tub material	Stainless steel
Tub type	TallTub
ADA Compliant	No
Number of place settings	14

Notes: All height, width and depth dimensions are shown in inches. \*Please refer to installation instructions prior to making cutout. BSH reserves the absolute and unrestricted right to change product materials and specifications, at any time, without notice. Consult the product's installation instructions for final dimensional data and other details. Applicable product warranty can be found in a accompanying product literature or you may contact your account manager for further details.

For more information on our entire line of products, go to [boschappliances.com](http://boschappliances.com) or call 1-800-944-2904.  
Copyright ©2013 BSH Home Appliances Corporation. All rights reserved. Bosch is a registered trademark of Robert Bosch GmbH.

Litho Date: 04/2013

