

Built-In Microwave Oven

500 Series – Stainless Steel HMB5051



HMB5051
Stainless Steel

Also available in:
Black HMB5061

Built-In microwave design matched for use in combination with Bosch wall oven.

Features & Benefits

Large Cooking Interior Gives You More Flexibility in What Types of Dishes You Can Cook

Built For Speed and Convenience With 1200 Watts of Microwave Cooking Power

Convenient Automatic Sensor Programs Simplify Cooking for Great Results Every Time

General Properties

Cavity color	White
Max. microwave power (W)	1,200 W

Capacity

Cavity capacity (cu. ft.)	2.1 cu. ft.
Turntable diameter (in.)	16 1/2"

Technical Details

Watts (W)	1,460 W
Circuit breaker (A)	20 A
Volts (V)	120 V
Frequency (Hz)	60 Hz
Power cord length (in)	41 5/16"
Plug type	120V-3 prong



Dimensions & Weight

Overall appliance dimensions (HxWxD) (in)	14" x 23 7/8" x 19 7/16"
Required cutout size (HxWxD) (in)	19 7/8" X 25 7/16" – 28 7/16" X 21"
Net weight (lbs)	34 lbs

Accessories—Included

Included	Glass turntable
----------	-----------------

Accessories—Optional



HMT5751
27" Stainless steel trim kit



HMT5051
30" Stainless steel trim kit

For help and assistance with Bosch accessories please call 1-800-944-2904 Mon-Fri 8am to 6pm EST

Notes: All height, width and depth dimensions are shown in inches. BSH reserves the absolute and unrestricted right to change product materials and specifications, at any time, without notice. Consult the product's installation instructions for final dimensional data and other details prior to making cutout. Applicable product warranty can be found in accompanying product literature or you may contact your account manager for further details.

Warranties: Bosch warrants that the Product is free from defects in materials and workmanship for a period of three hundred and sixty-five (365) days from the date of purchase. The foregoing timeline begins to run upon the date of purchase, and shall not be stalled, tolled, extended, or suspended, for any reason whatsoever. This Product is also warranted to be free from cosmetic defects in material and workmanship (such as scratches of stainless steel, paint/porcelain blemishes, chip, dents, or other damage) to the finish of the Product, for a period of thirty (30) days from the date of purchase or closing date for new construction. This cosmetic warranty excludes slight color variations due to inherent differences in painted and porcelain parts, as well as differences caused by kitchen lighting, product location, or other similar factors. This cosmetic warranty specifically excludes any display, floor, "As Is", or "B" stock appliances.

For more information on our entire line of products, go to www.bosch-home.ca or call 1-800-944-2904

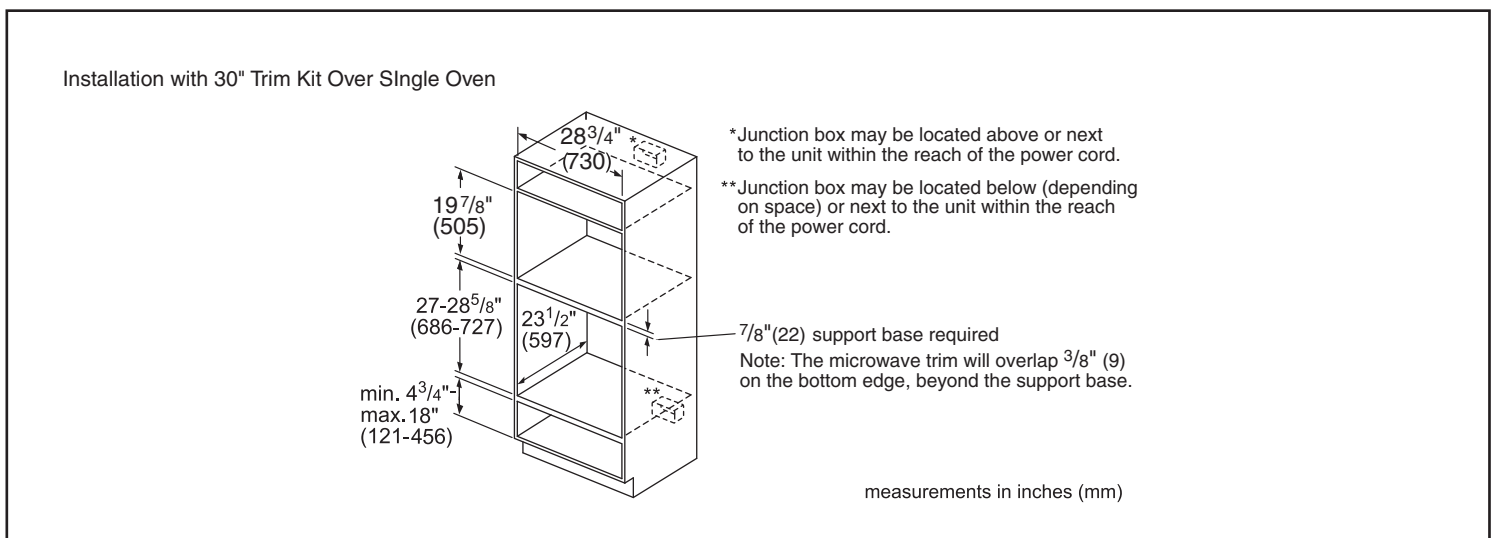
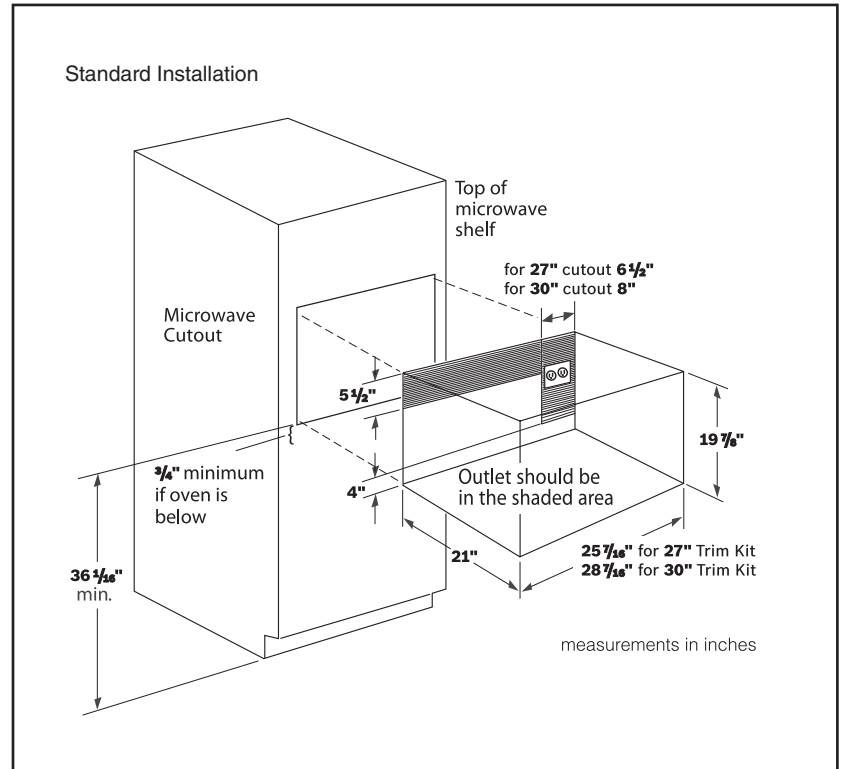
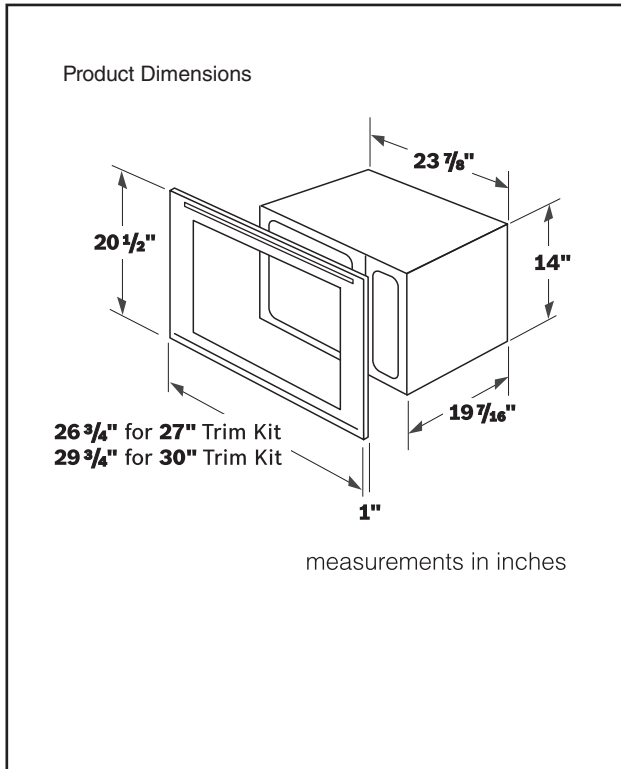
© BSH Home Appliances Limited. All rights reserved. Bosch is a registered trademark of Robert Bosch GmbH.

Built-In Microwave Oven

500 Series – Stainless Steel HMB5051



Installation Details



For help and assistance with Bosch accessories please call 1-800-944-2904 Mon-Fri 8am to 6pm EST

Notes: All height, width and depth dimensions are shown in inches. BSH reserves the absolute and unrestricted right to change product materials and specifications, at any time, without notice. Consult the product's installation instructions for final dimensional data and other details prior to making cutout. Applicable product warranty can be found in accompanying product literature or you may contact your account manager for further details.

Warranties: Bosch warrants that the Product is free from defects in materials and workmanship for a period of three hundred and sixty-five (365) days from the date of purchase. The foregoing timeline begins to run upon the date of purchase, and shall not be stalled, tolled, extended, or suspended, for any reason whatsoever. This Product is also warranted to be free from cosmetic defects in material and workmanship (such as scratches of stainless steel, paint/porcelain blemishes, chip, dents, or other damage) to the finish of the Product, for a period of thirty (30) days from the date of purchase or closing date for new construction. This cosmetic warranty excludes slight color variations due to inherent differences in painted and porcelain parts, as well as differences caused by kitchen lighting, product location, or other similar factors. This cosmetic warranty specifically excludes any display, floor, "As Is", or "B" stock appliances.

For more information on our entire line of products, go to www.bosch-home.ca or call 1-800-944-2904

© BSH Home Appliances Limited. All rights reserved. Bosch is a registered trademark of Robert Bosch GmbH.

09/15