

Benvenuto® Built-in Coffee Machine

The perfect complement to the modern kitchen.

The Bosch Benvenuto® built-in coffee machine brings modern design and innovation to your kitchen. With a simple touch of a button, you can start the brewing process to deliver delicious coffee, espressos, cappuccinos and lattes. The AromaSwirl® brewing system engulfs the coffee grounds in hot water and then brews them in a pressurized chamber. The result, coffee made in optimal brewing conditions.



Benvenuto® Built-in Coffee Machine



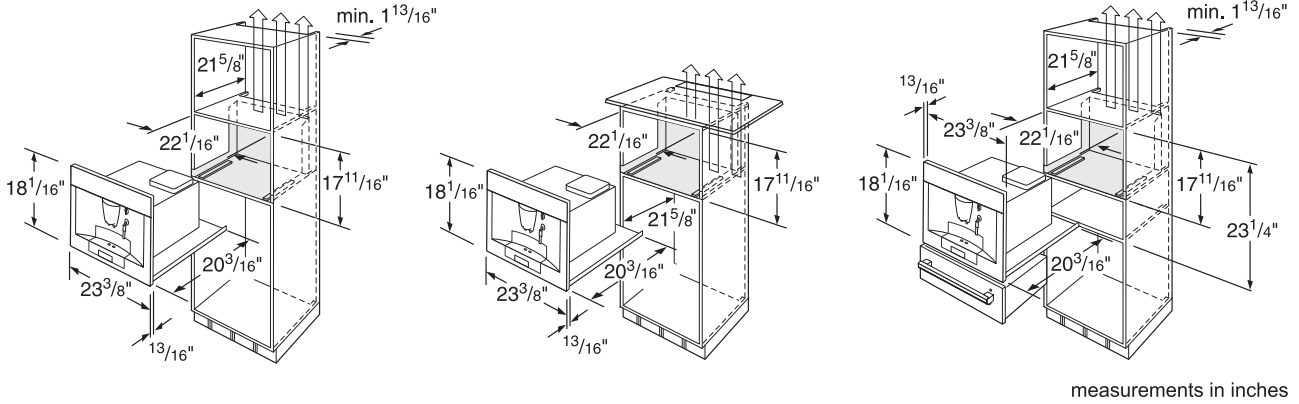
Built-in Coffee Machine TKN68E75UC

- Freshly Brewed Coffee and Espresso at the Push of a Button
- Separate Container or Second Ground Coffee Flavor or Decaf
- Removable Water Tank for Easy Filling (1/2 Gallon)
- Steam and Hot Water Function
- 12 Cup Sizes and Levels of Coffee Strength (Grind Quantity) – Smooth to Super Strong

Built-in Coffee Machine	
Stainless Steel – TKN68E75UC	
General Properties	
Modes	Espresso, Coffee, Water, Steam, Clean, Descaling
Settings	One or Two Cups, Cup Size, Coffee Strength, Grind Adjustment
Programming	Language, Water Hardness, Filter, Temperature, Current Time, Timer Function, Energy Saving Mode
Technical Details	
Watts (W)	1,300 W
Circuit breaker (A)	15 A
Current (A)	10 A
Volts (V)	120 V
Frequency (Hz)	60 Hz
Power cord length (in)	40"
Plug type	NEMA 5-15R, 2-Pole 3-Wire Grounding
Energy source	Electric
Pump Pressure (bar)	215 psi (15 bar)
Capacity Water Container (L)	1.80 L
Dimensions & Weight	
Overall appliance dimensions (HxWxD) (in)	23 3/8" W x 18 1/16" H x 21" D
Required gap between wall and base of the unit or the rear panel (in)	1 3/4"
Net weight (lbs)	80 lbs

Benvenuto® Built-in Coffee Machine

Product Dimensions and Installation, Inches



Product Dimensions and Installation, Millimeters

